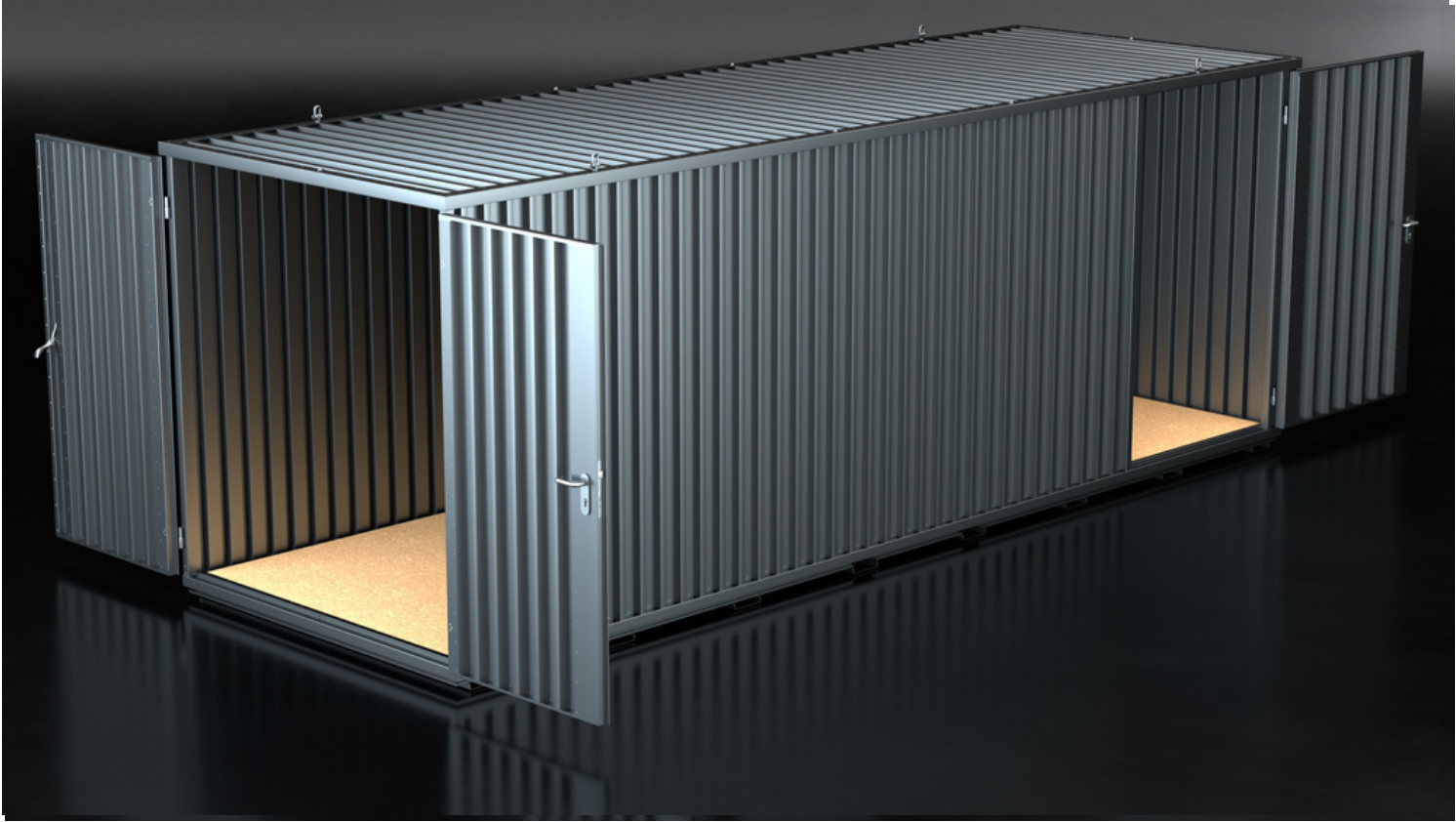


PRODUCT CODE:60.110.440.330

prefabase
Quick Build Solutions

Instructions and User Guide



60.0110

1x

60.0440/0210

1x

60.0410

1x

0330/0220/0230

1x

0310

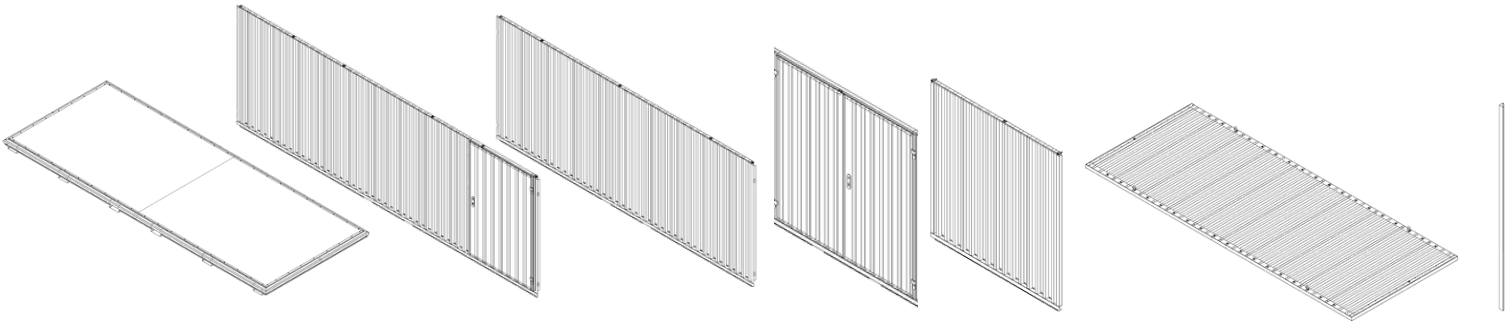
1x

60.0510

1x

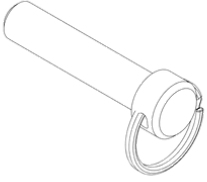
0099.61.101

4x

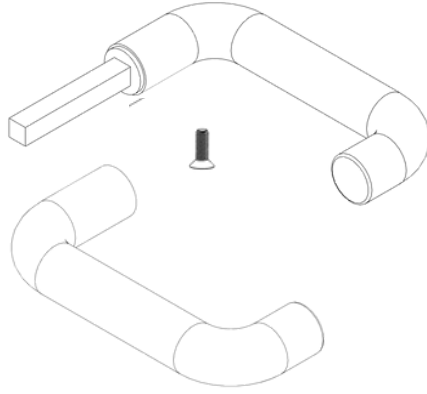




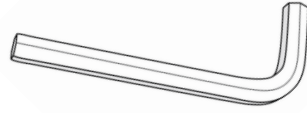
14x



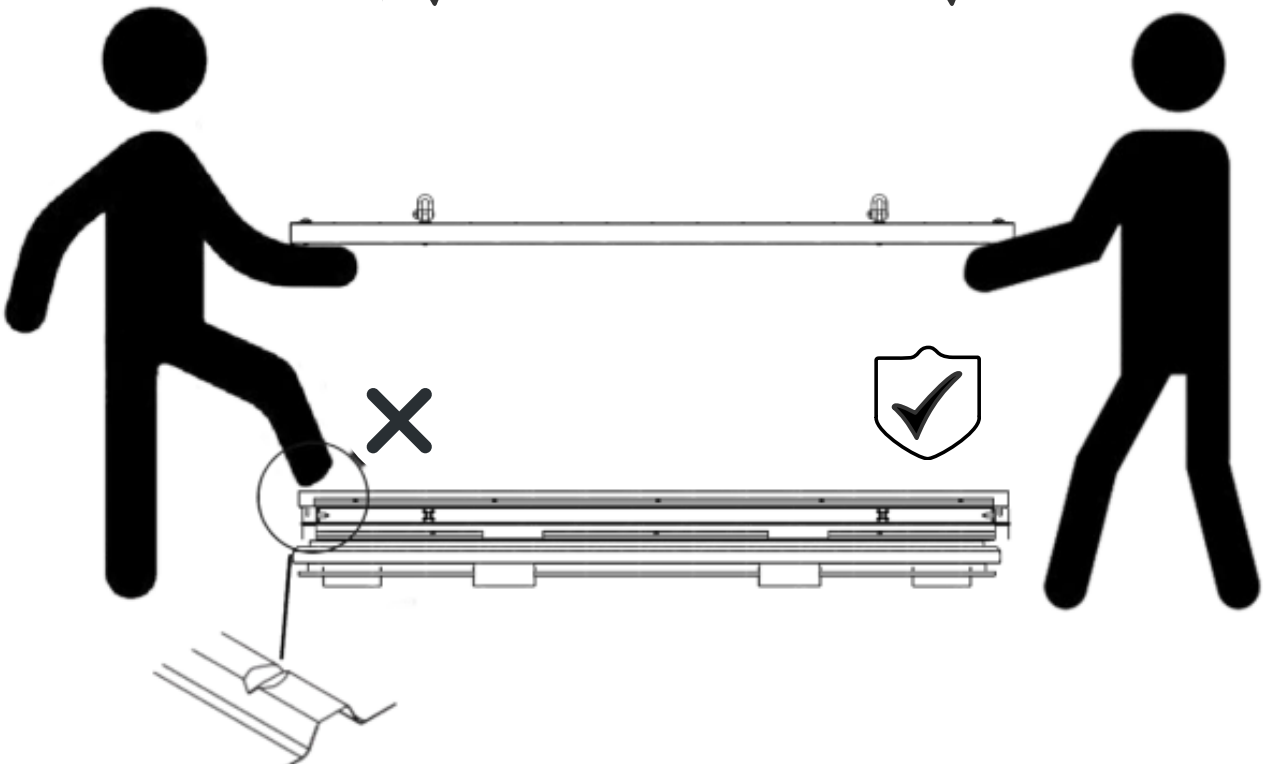
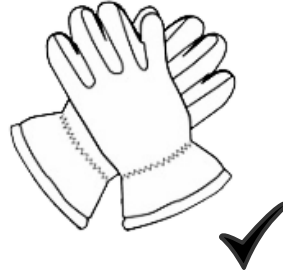
2x



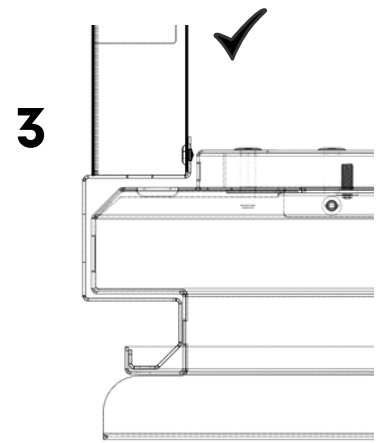
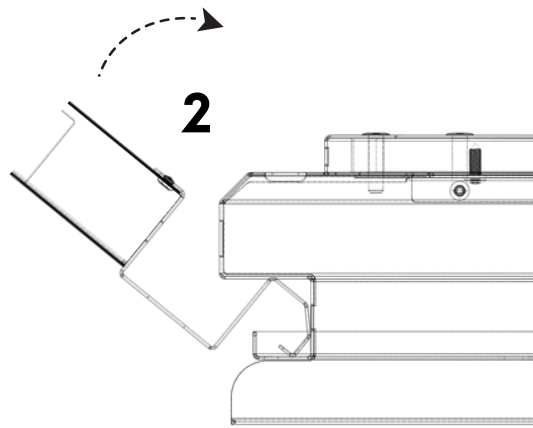
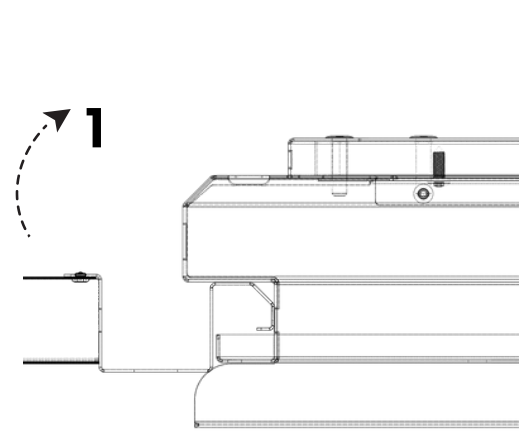
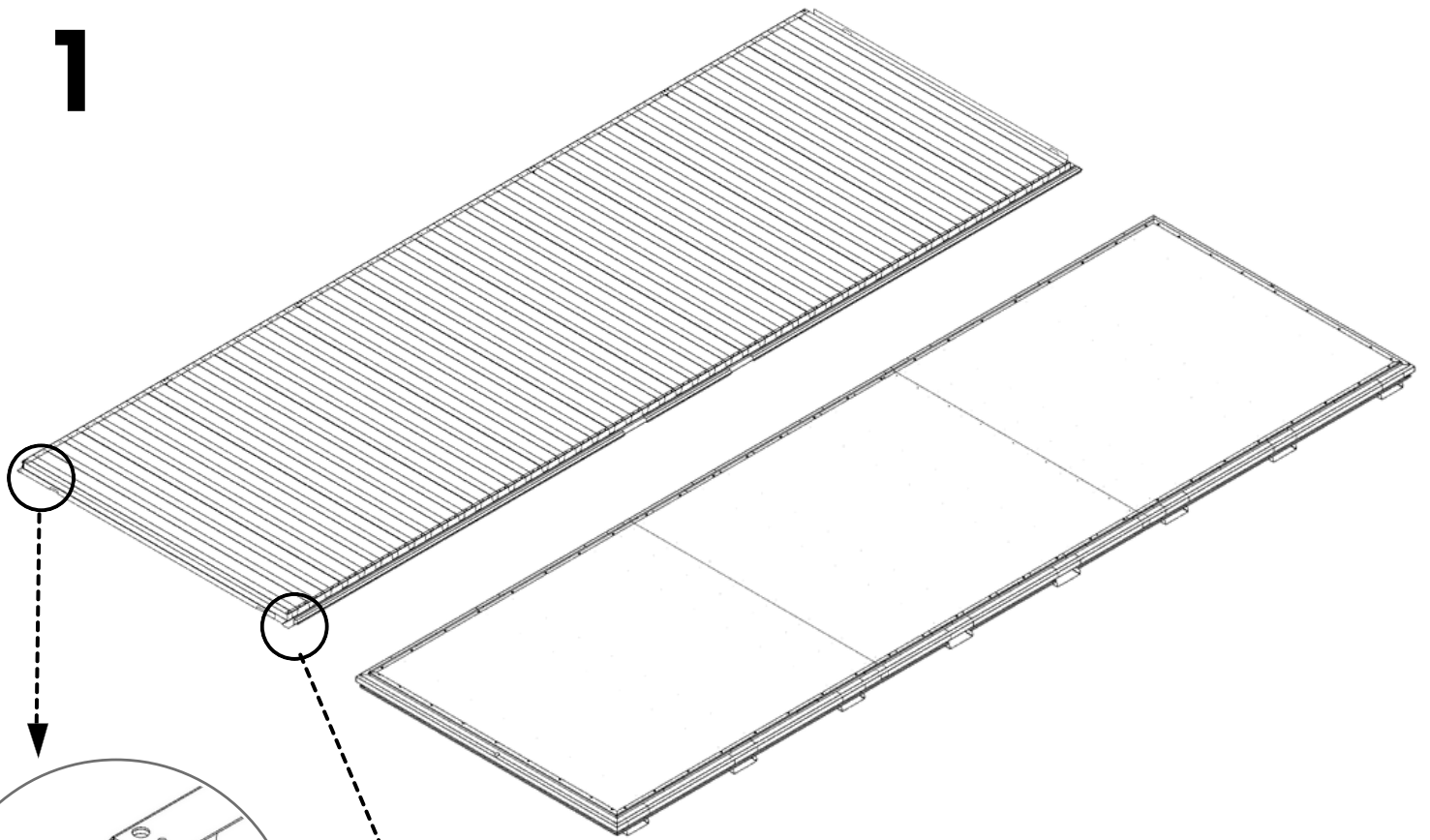
1x



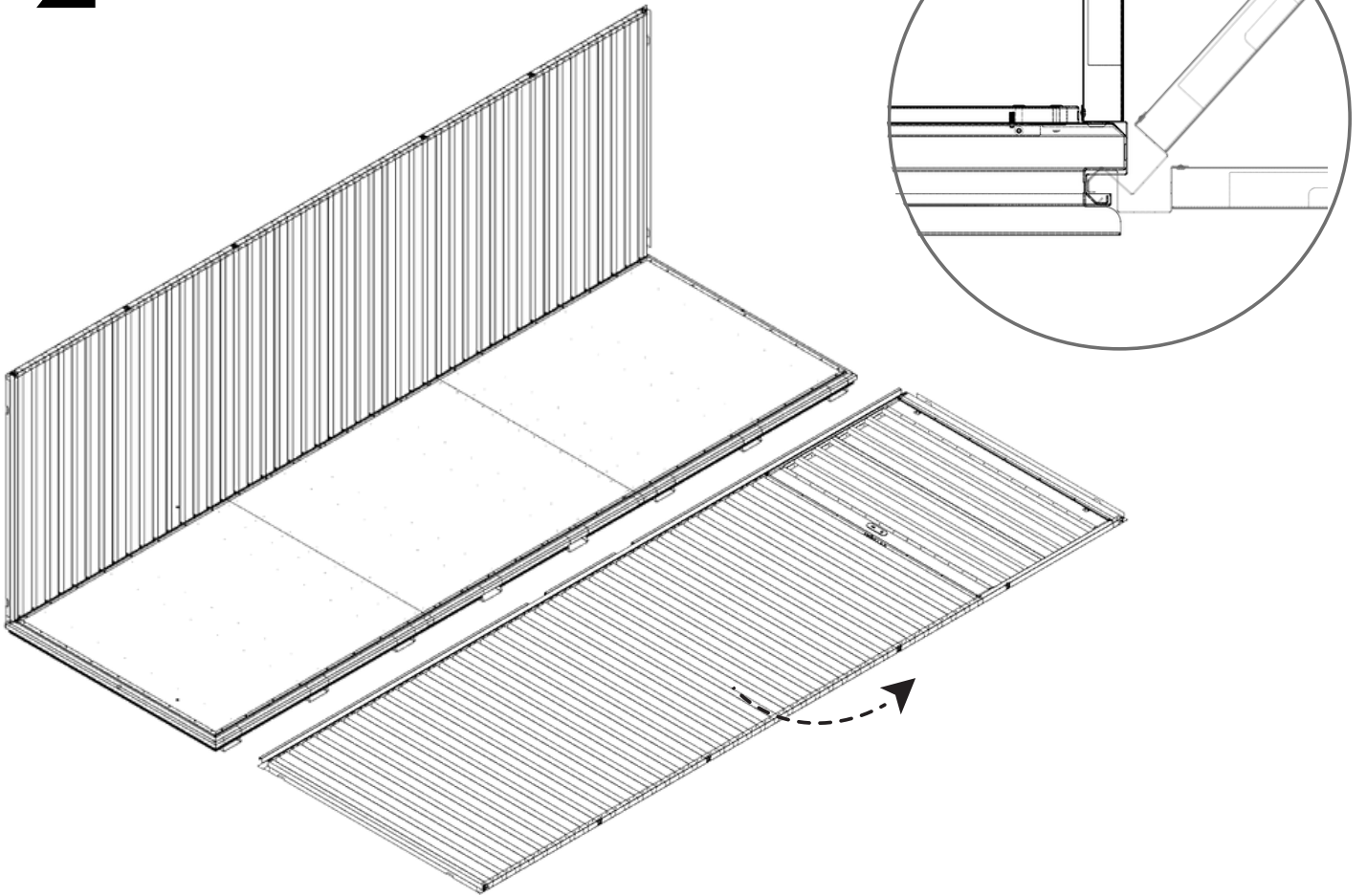
2x



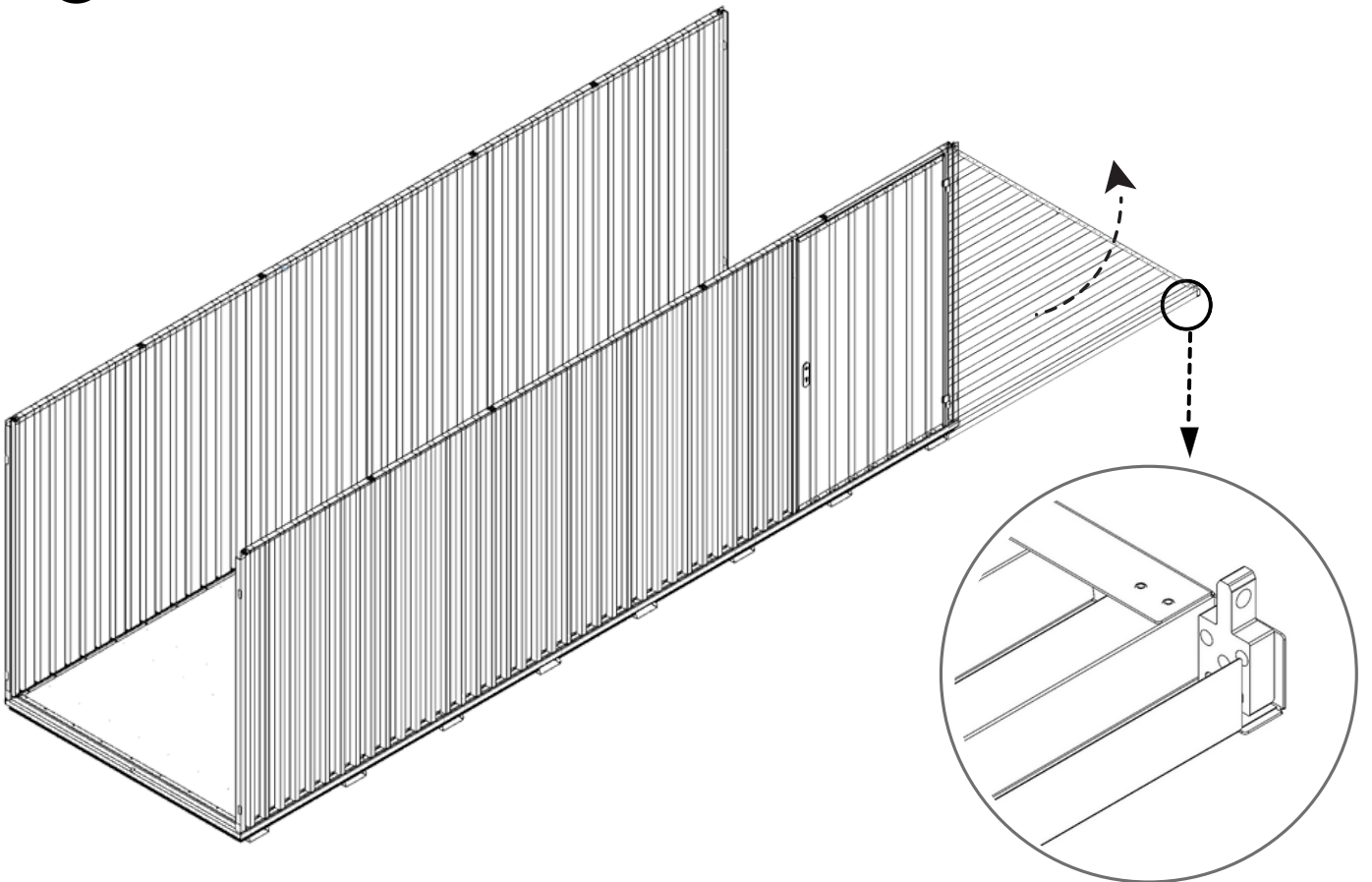
1



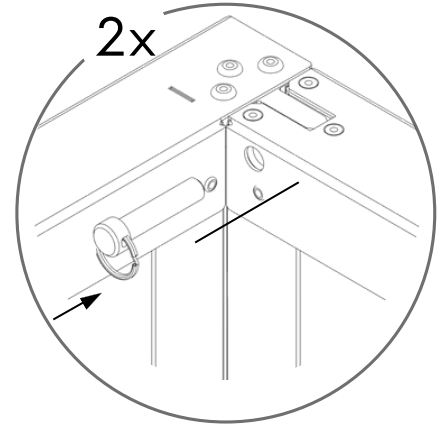
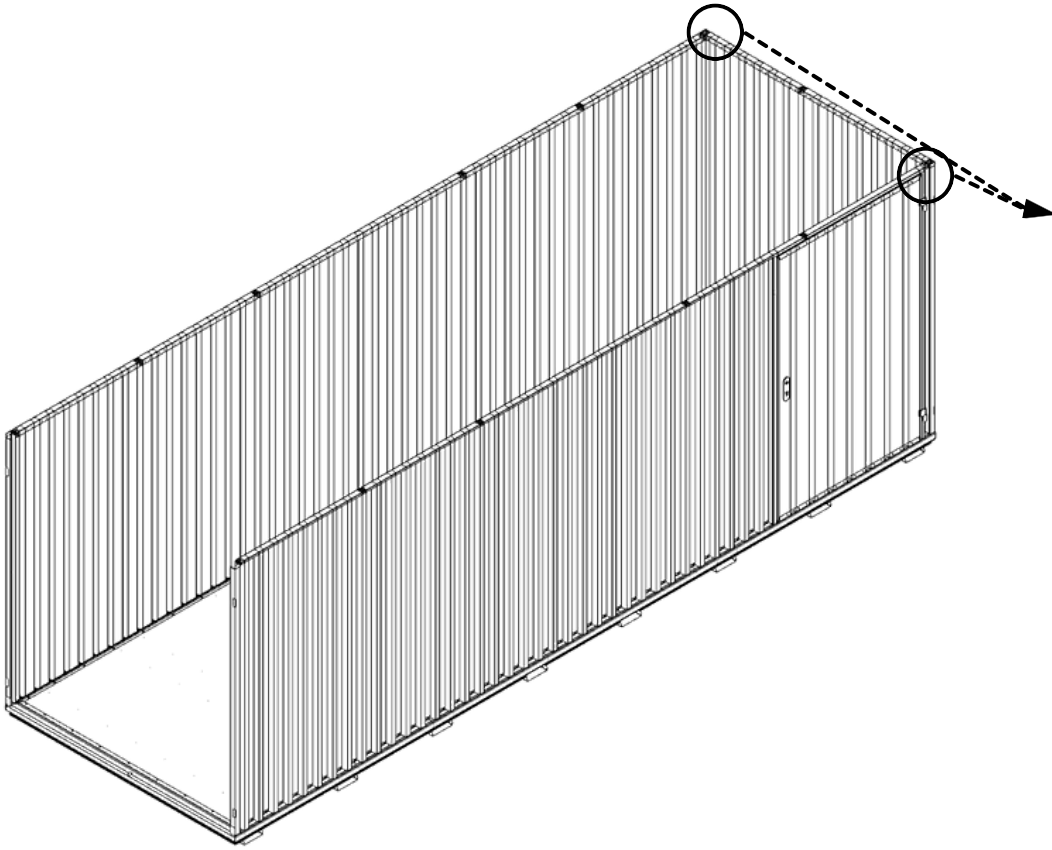
2



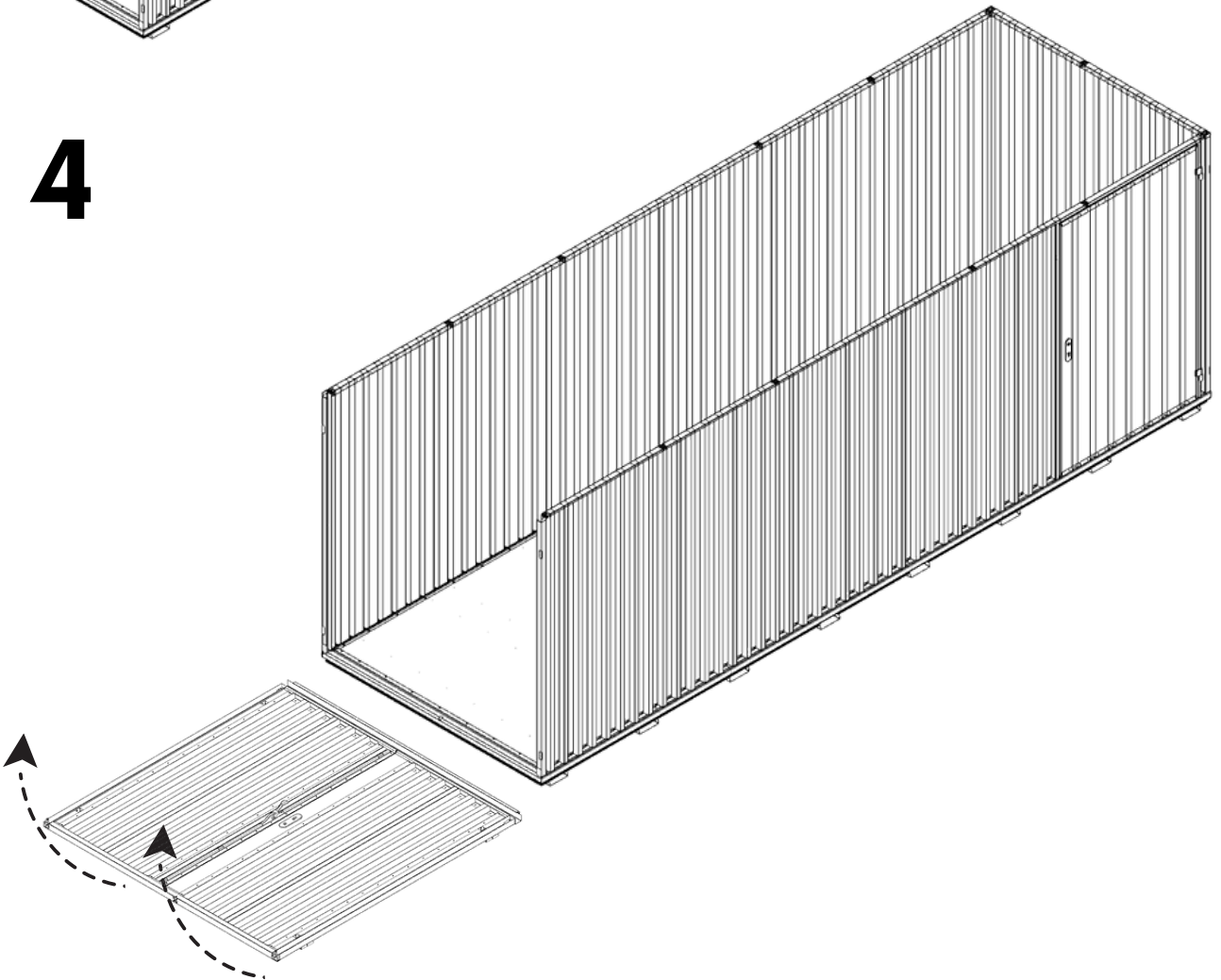
3



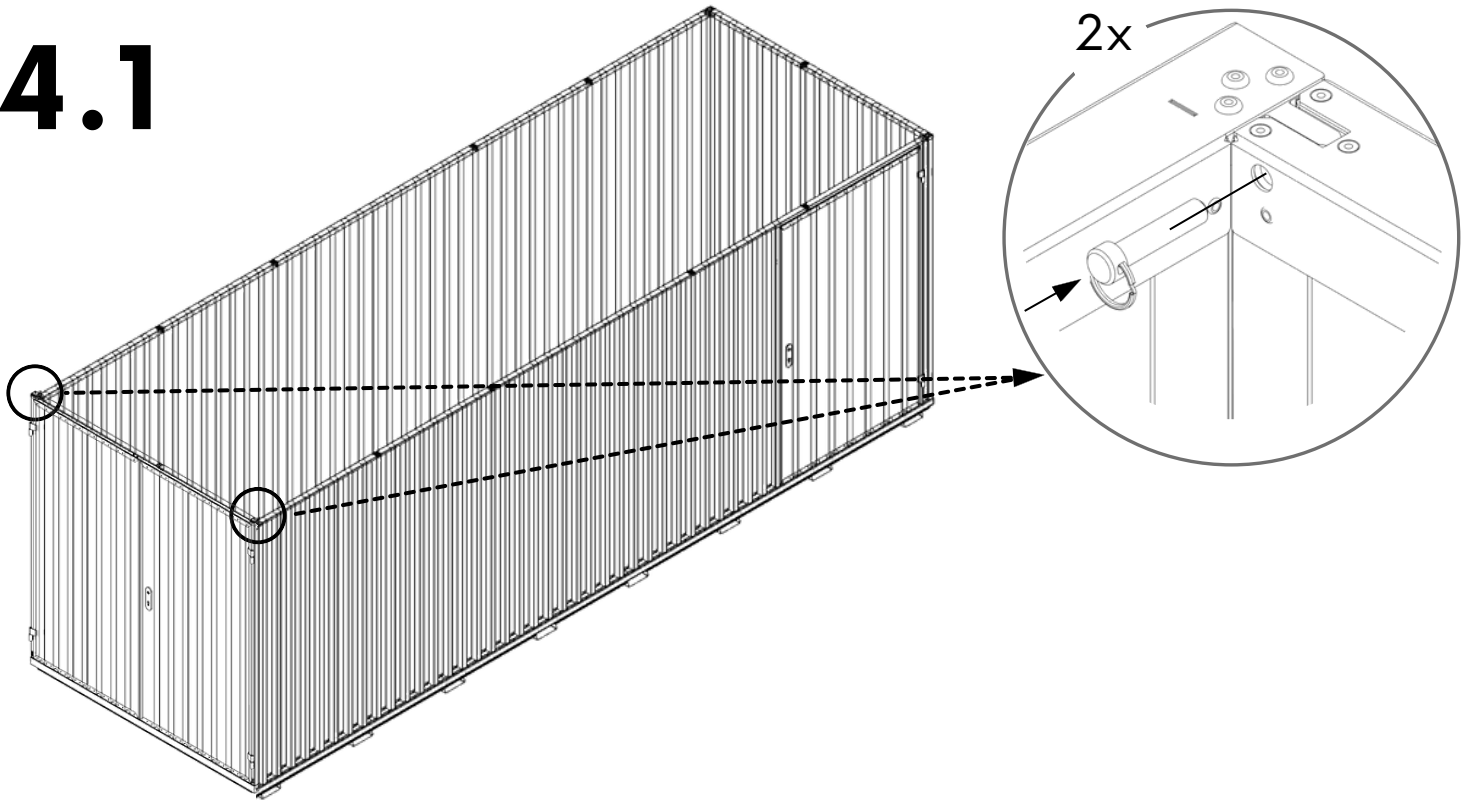
3.1












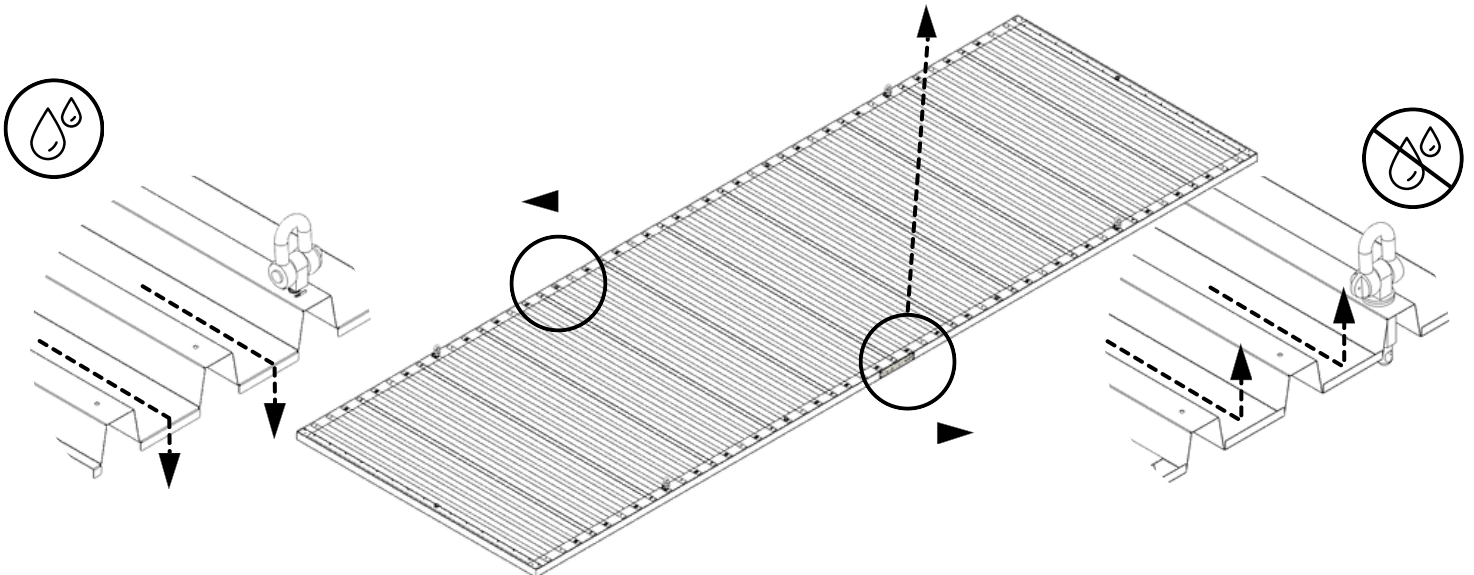
4



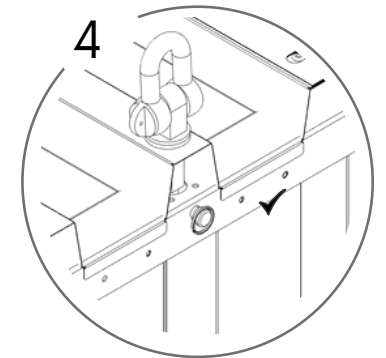
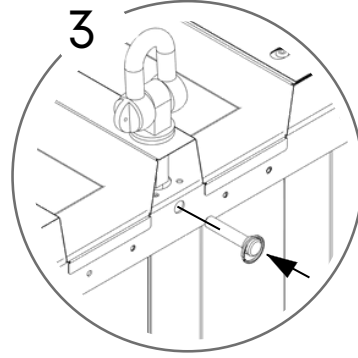
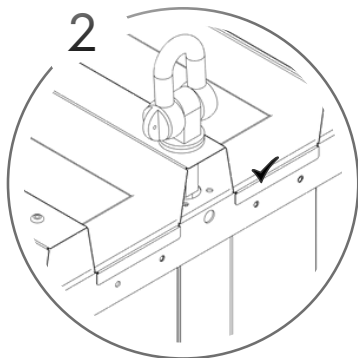
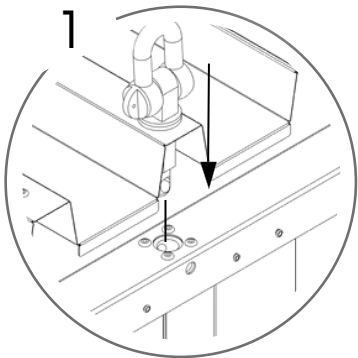
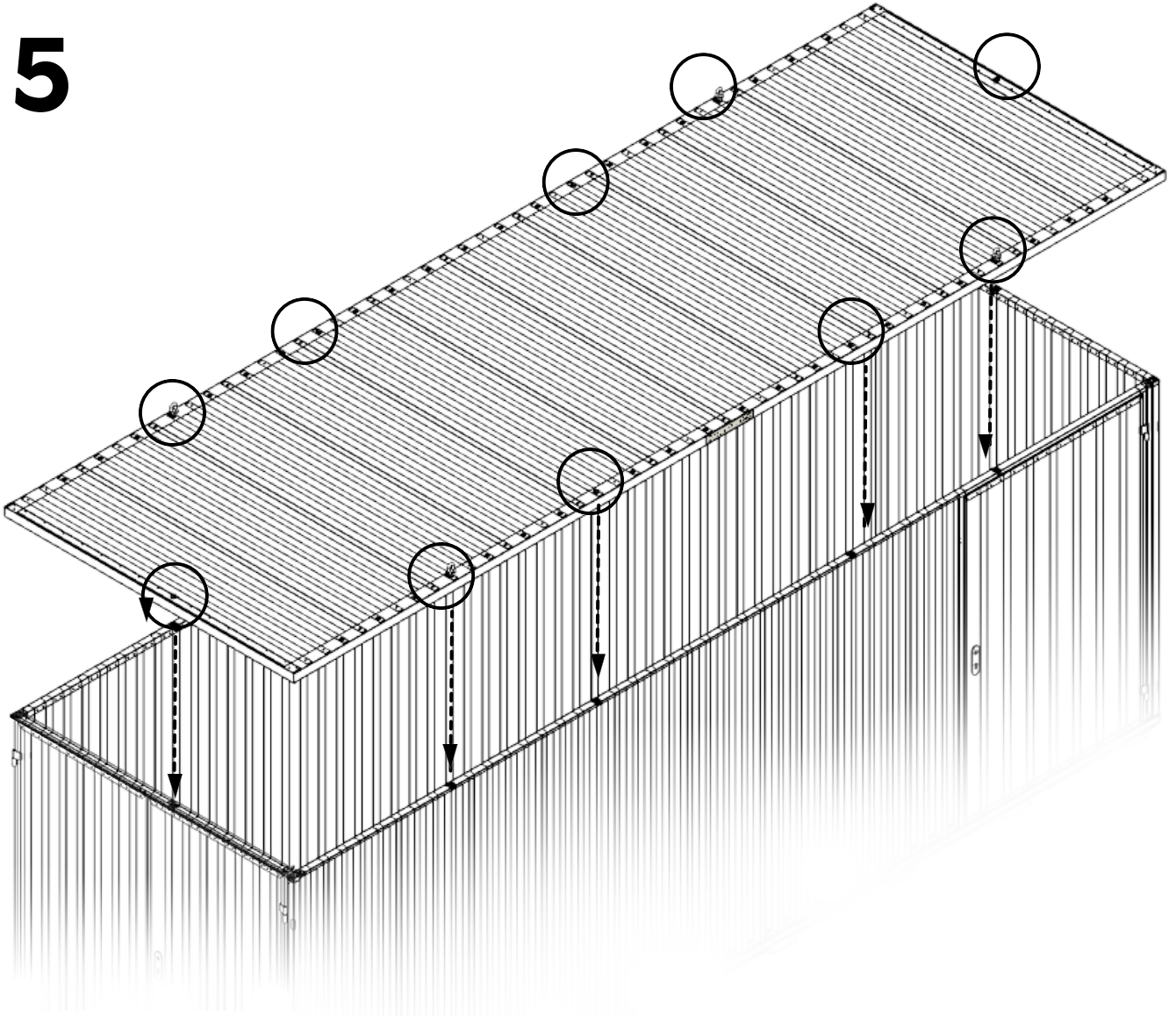
4.1



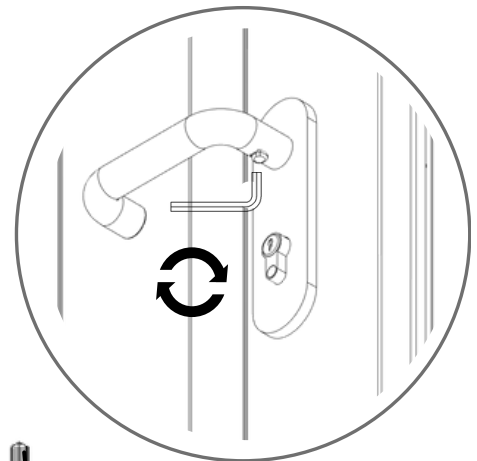
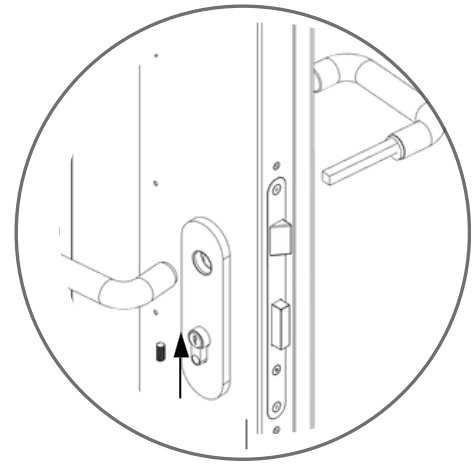
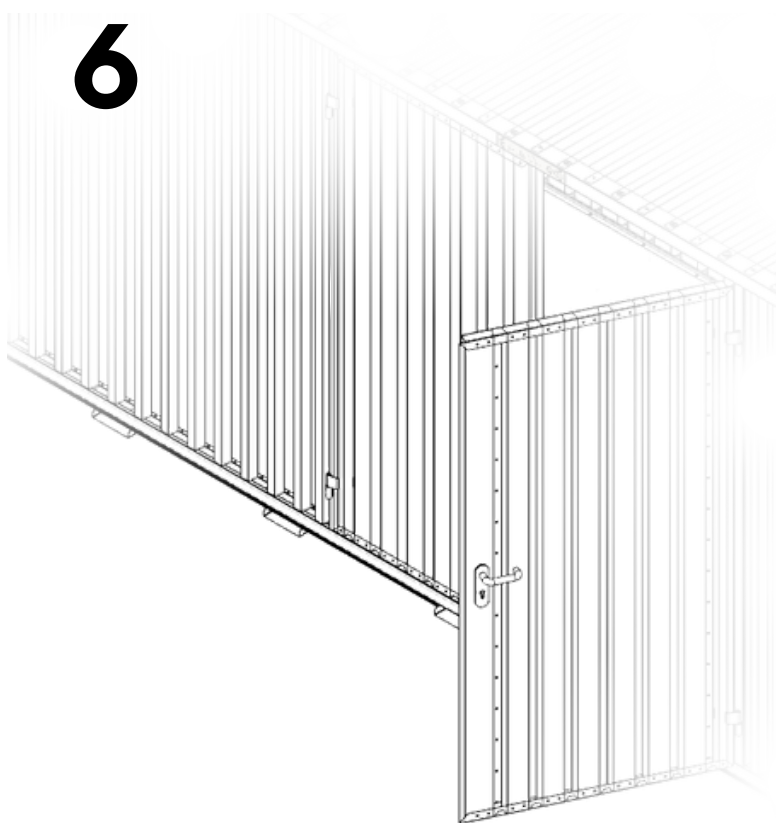
 336 KG	 3 TON	 1640 MM	Model Code: 30.110.440 Production Tracking Code:X09.1.30.440  9001  14001  50001	  
---	--	--	---	---



5



6



7

