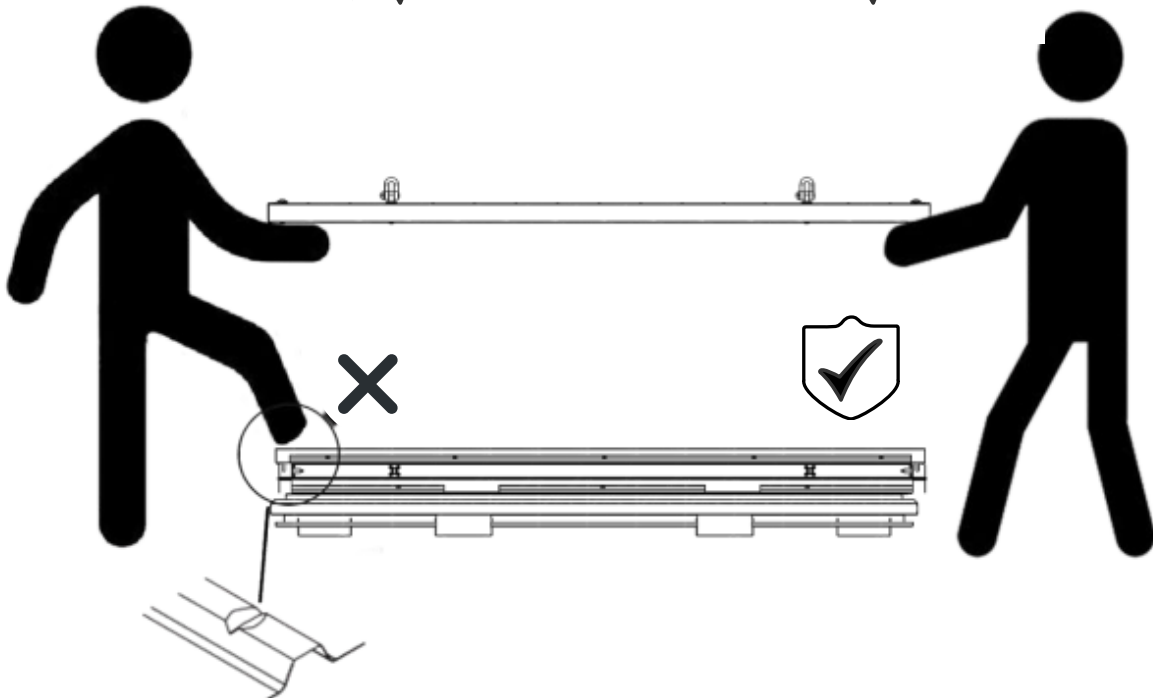
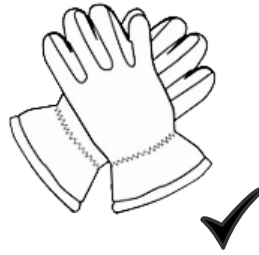


PRODUCT CODE:5055.110.430.440

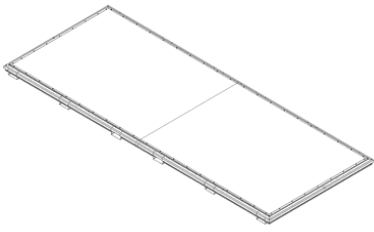
**prefabase**  
Quick Build Solutions

Instructions and User Guide



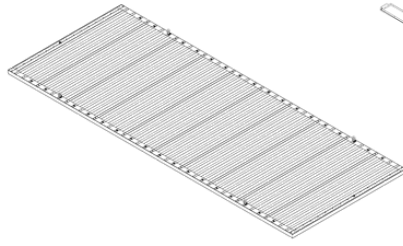
50.0110

3x



50.0510

3x



505.0110

2x



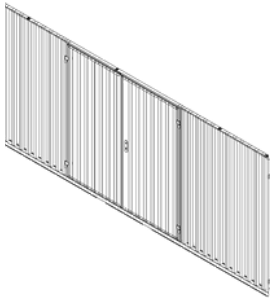
505.0510

2x



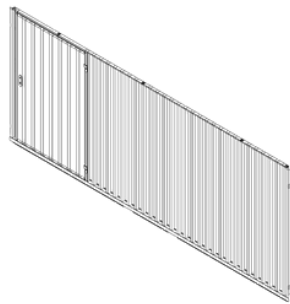
50.0430

1x



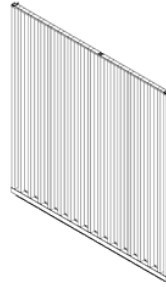
50.0440

1x



0310

6x



305.20.08

4x



305.20.09

4x

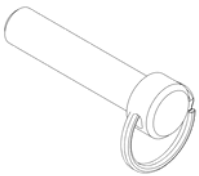


61.101

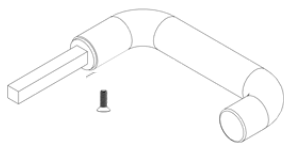
4x



36x



2x



20x



20x



20x



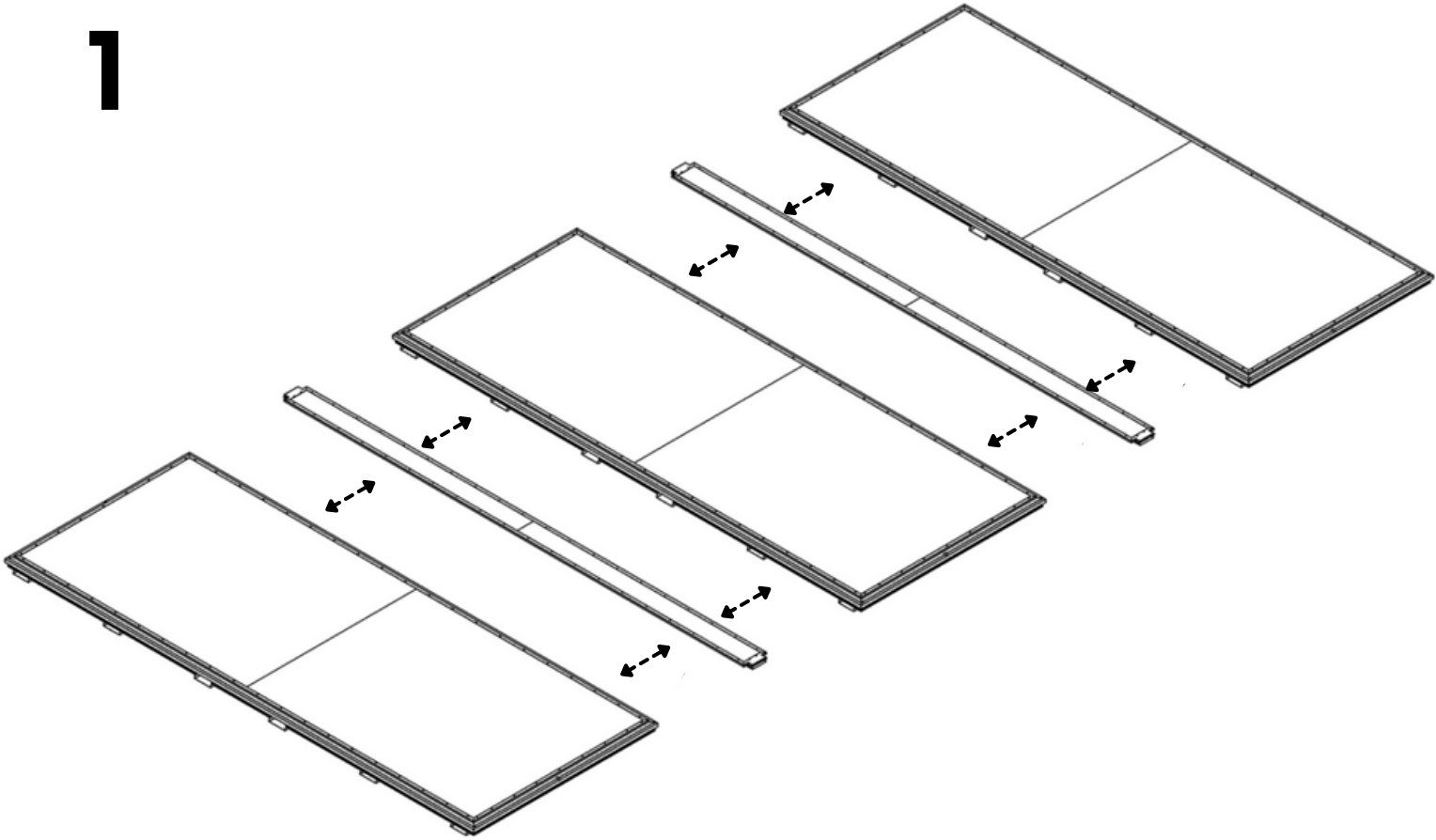
1x



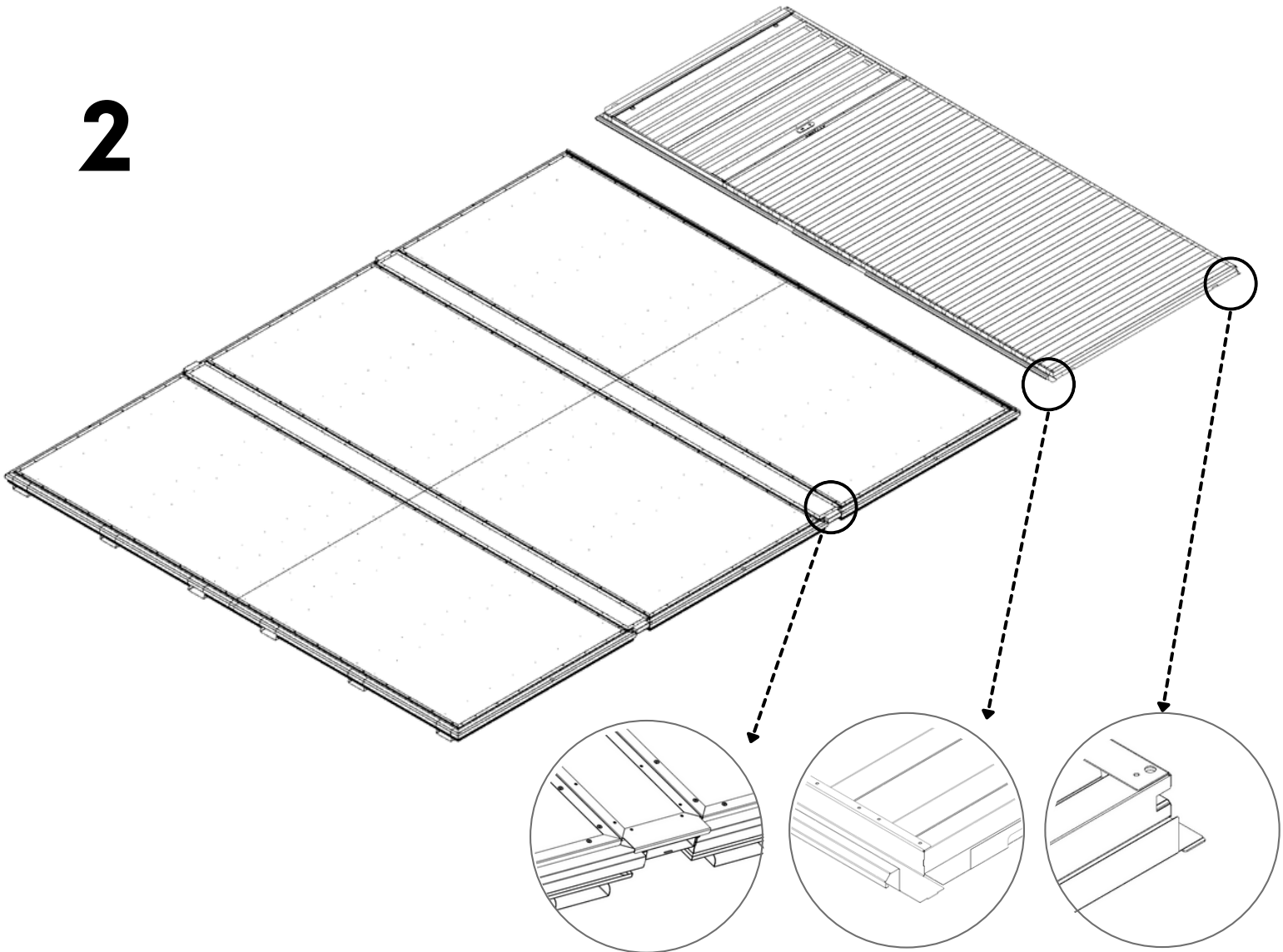
2x

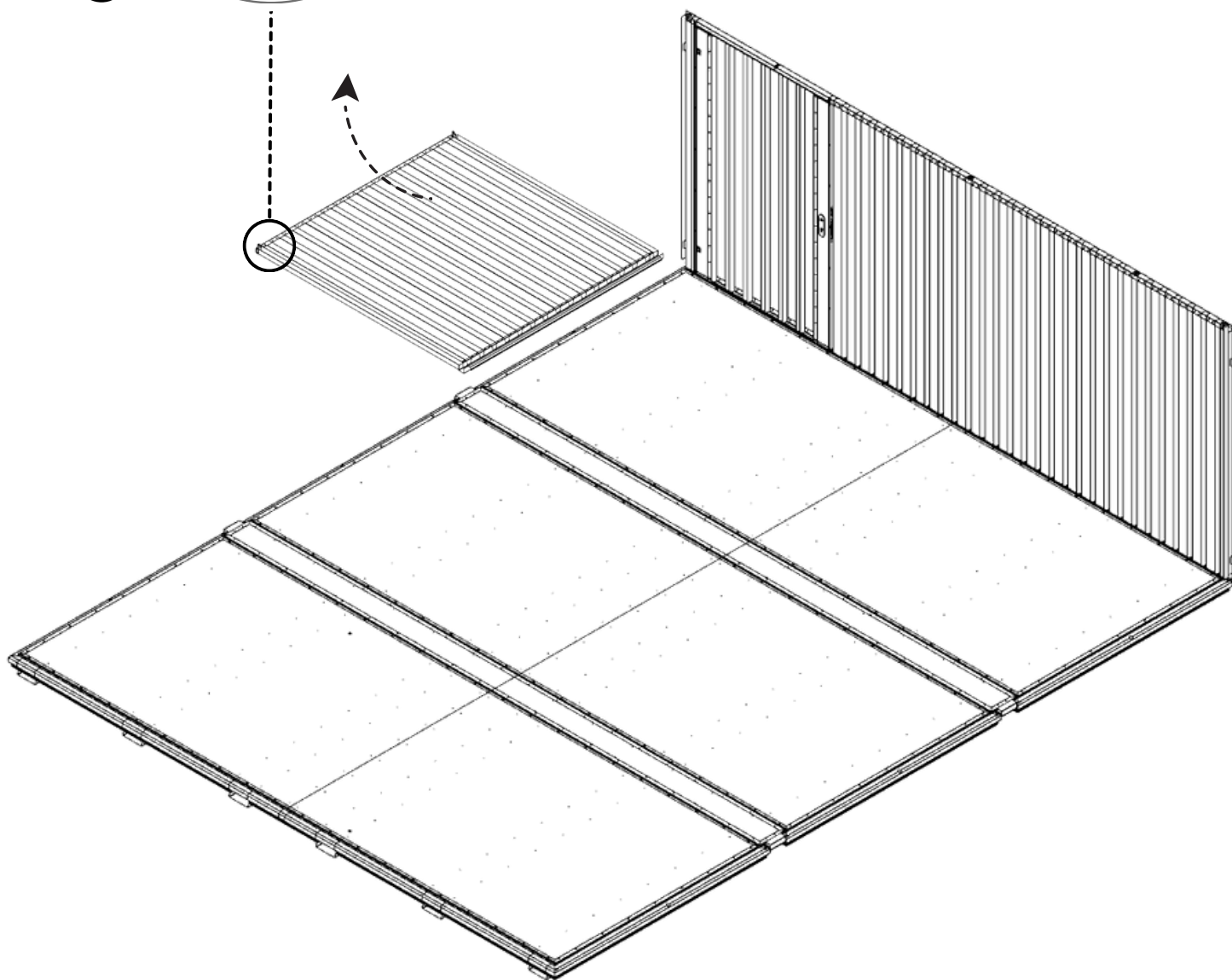
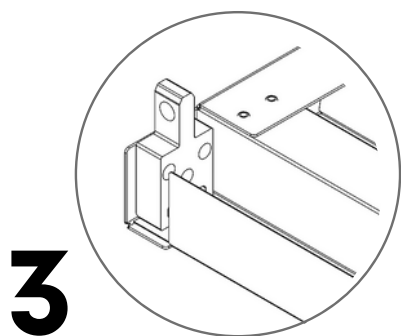
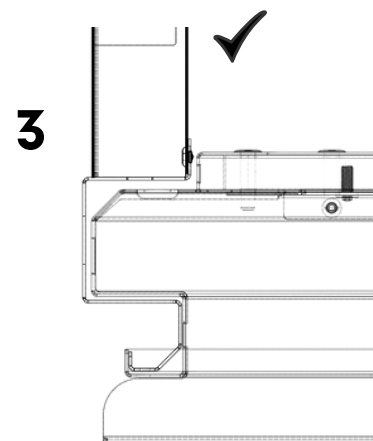
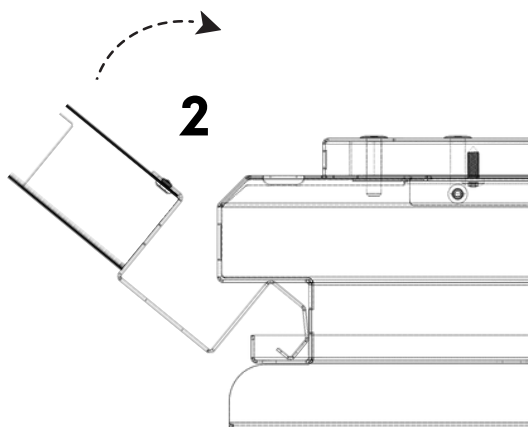
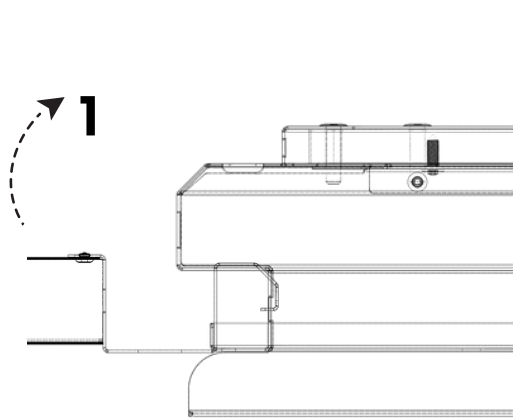


**1**



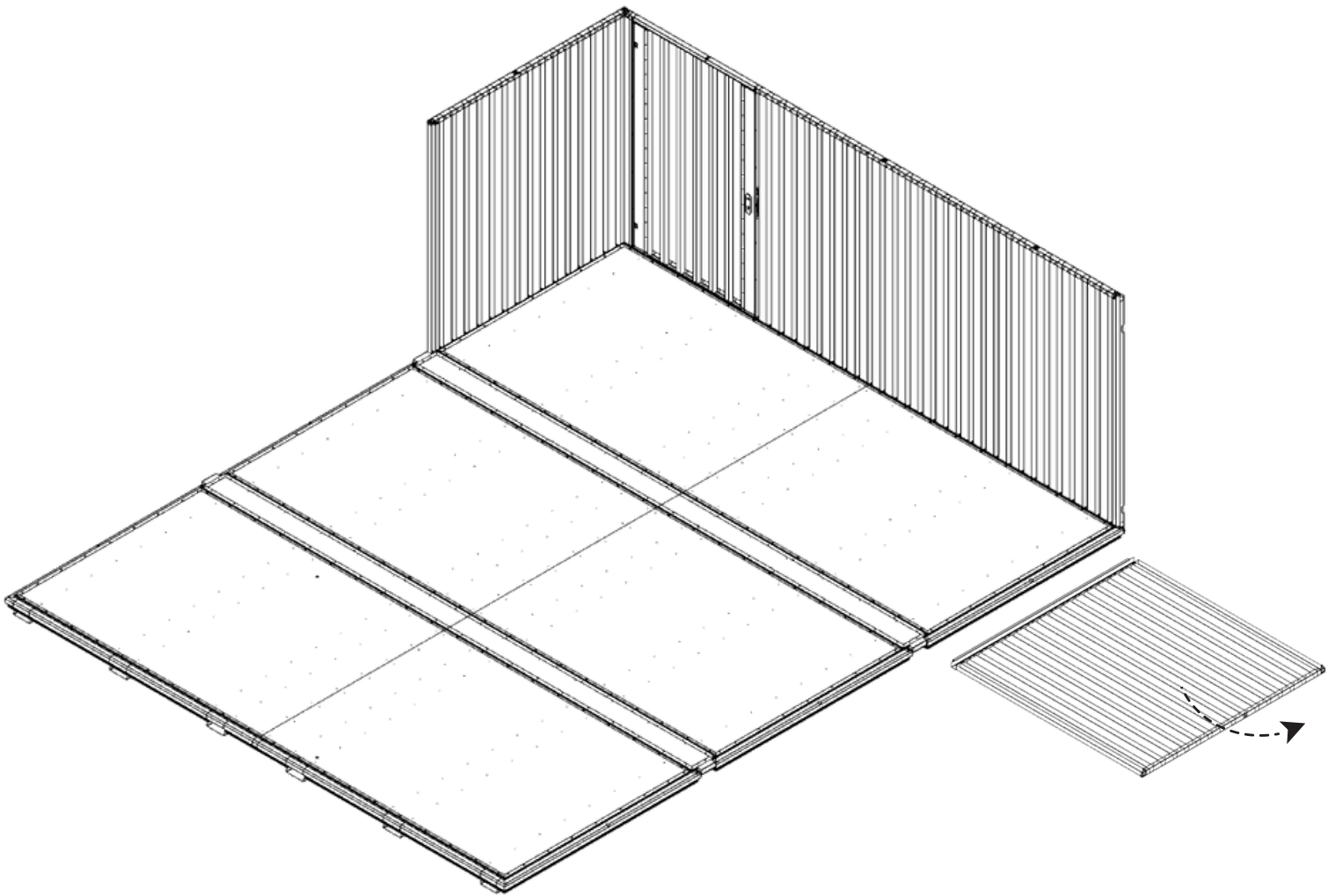
**2**



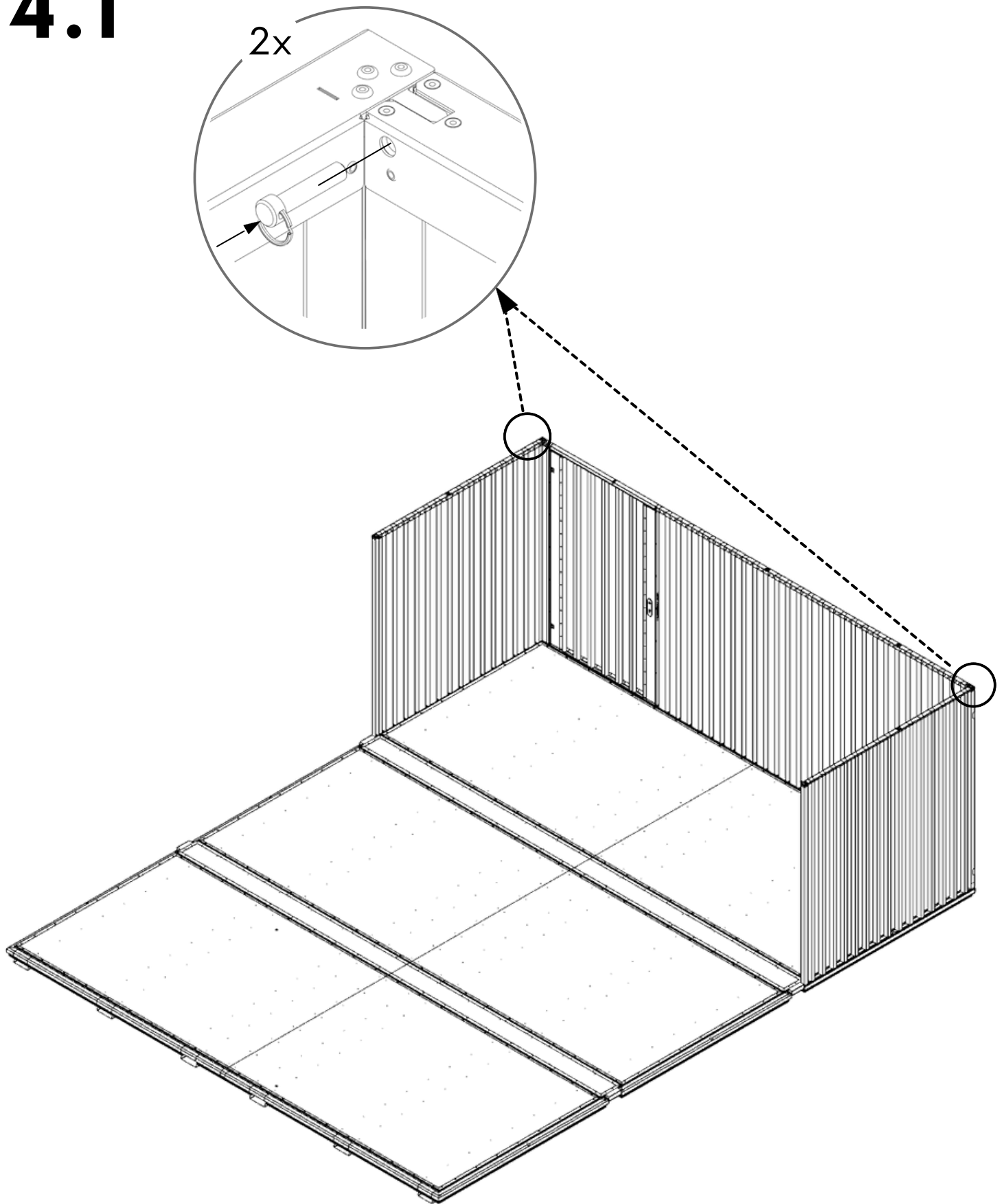




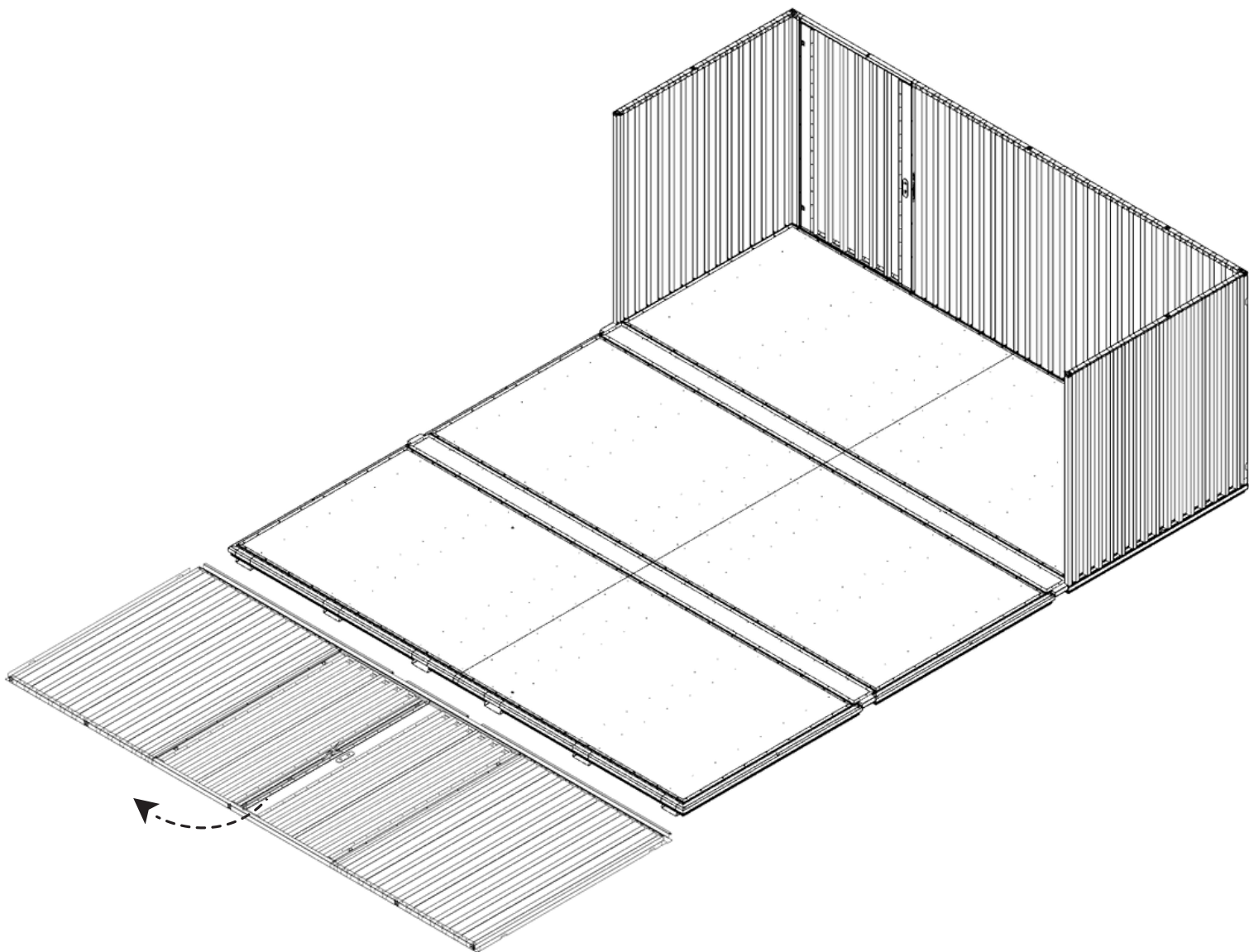
4



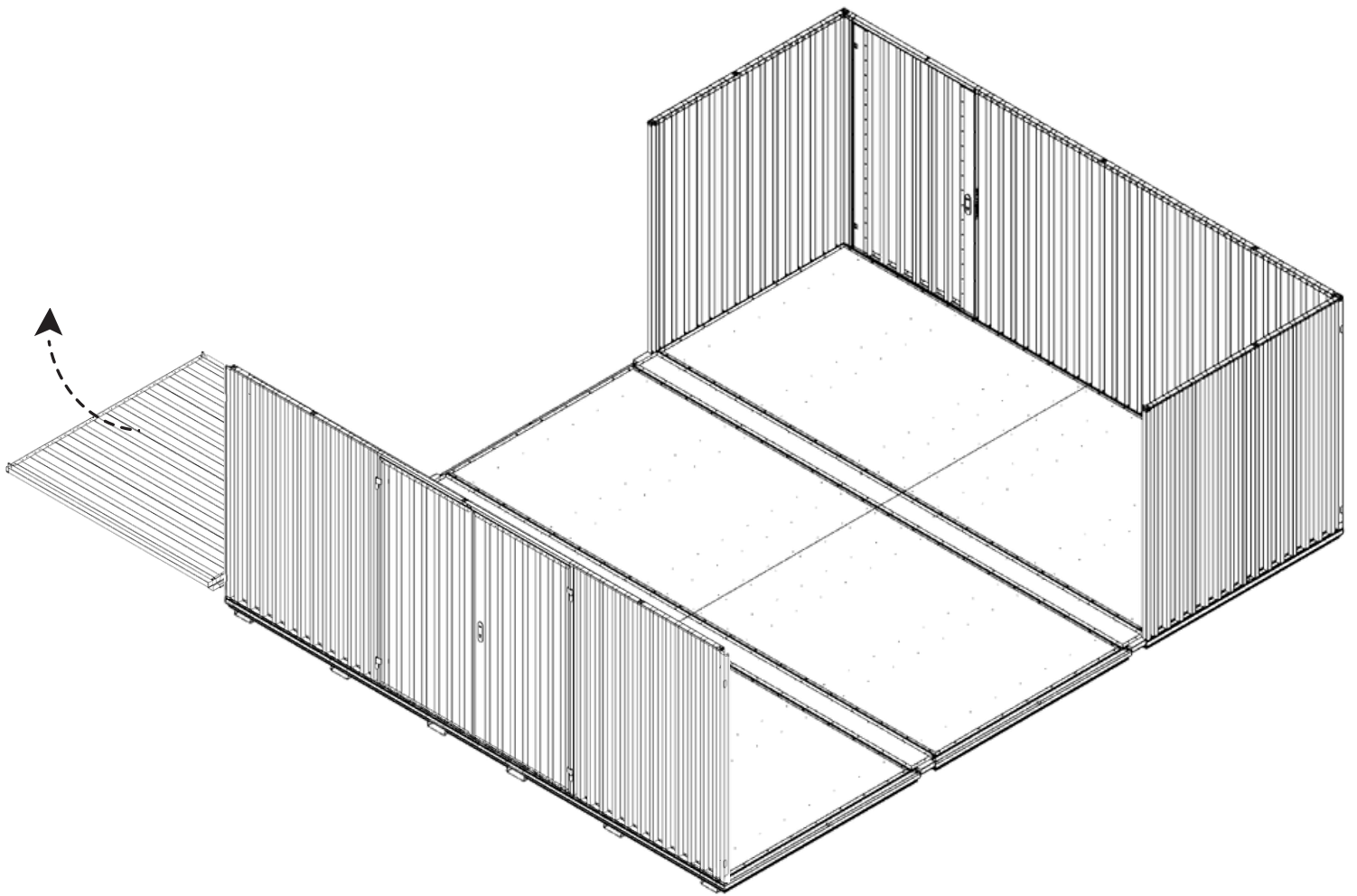
# 4.1



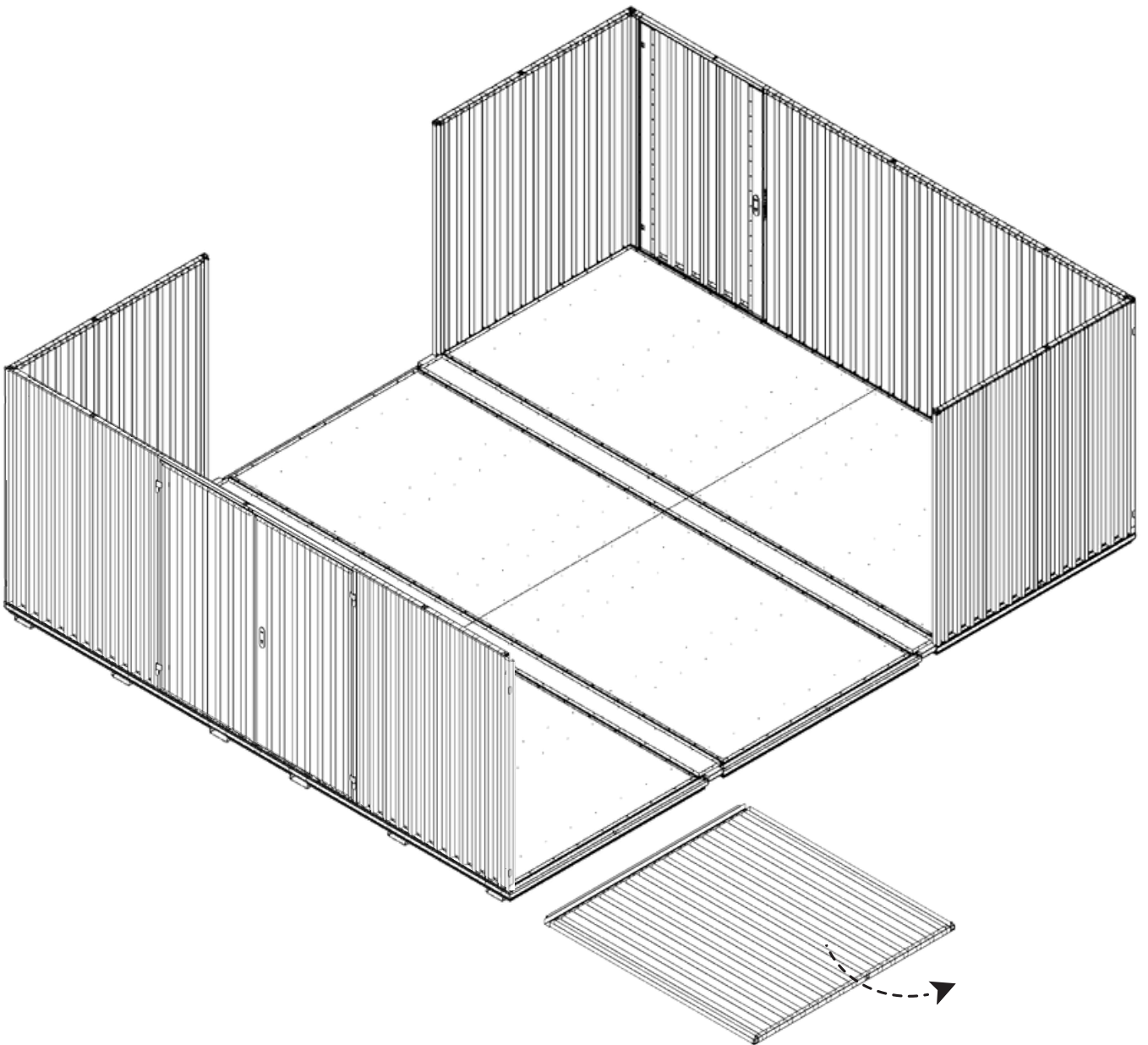
5



6

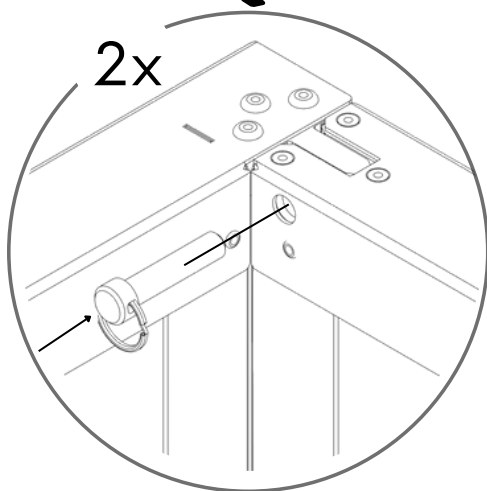
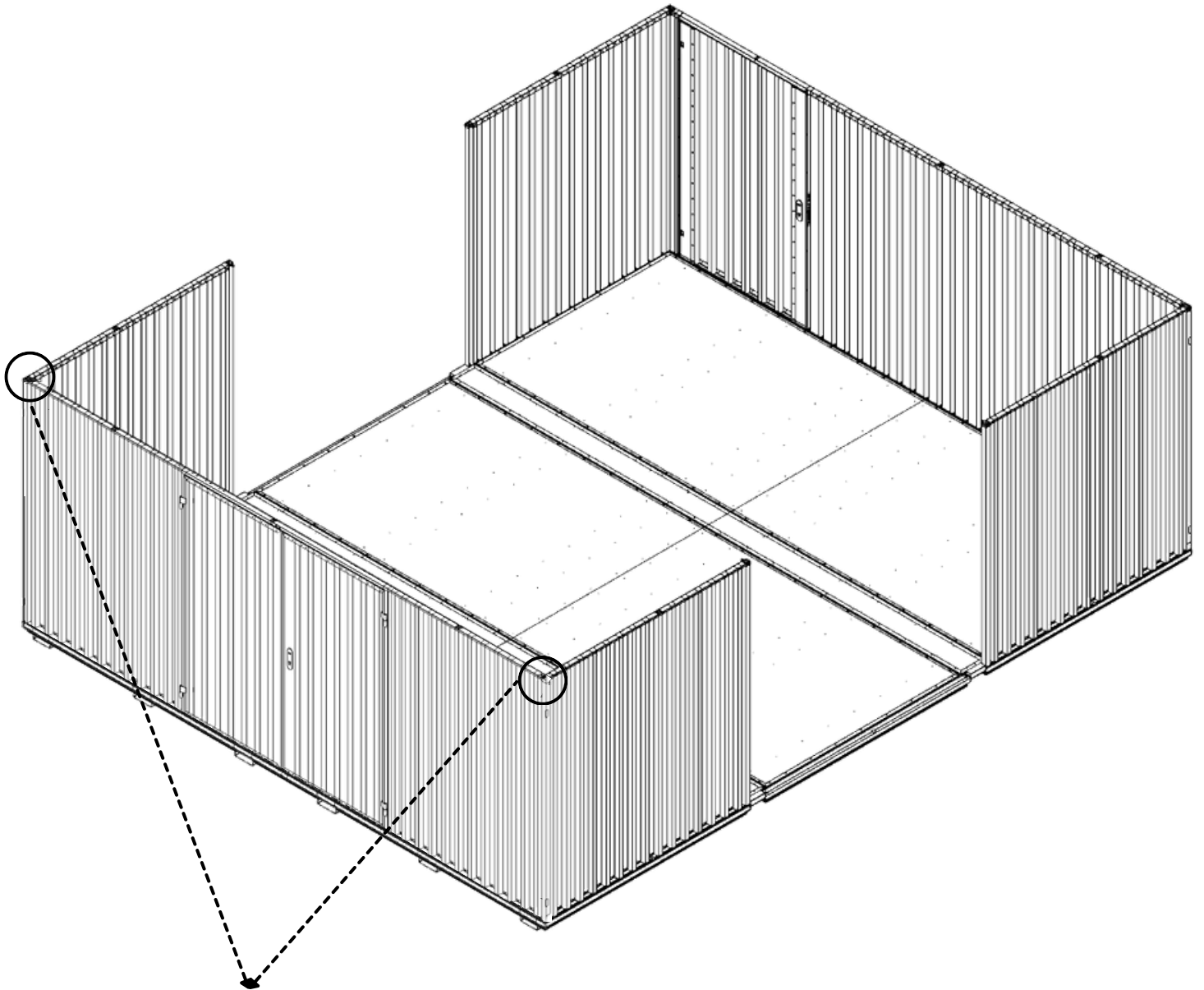


7

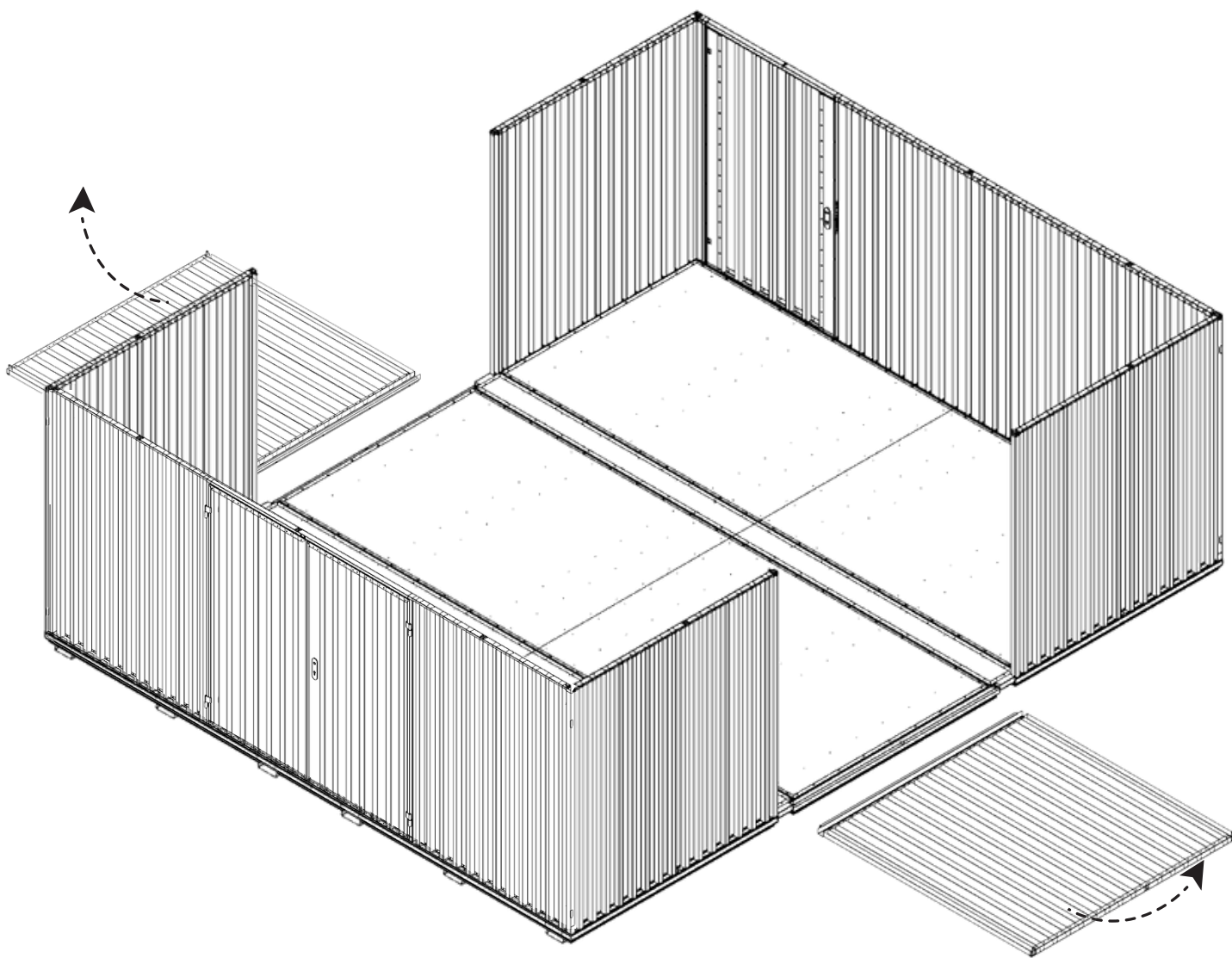




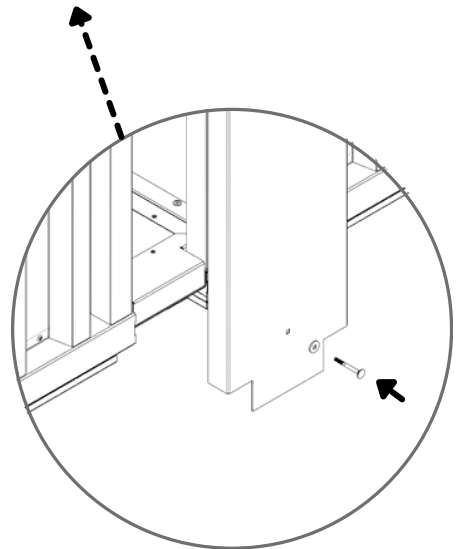
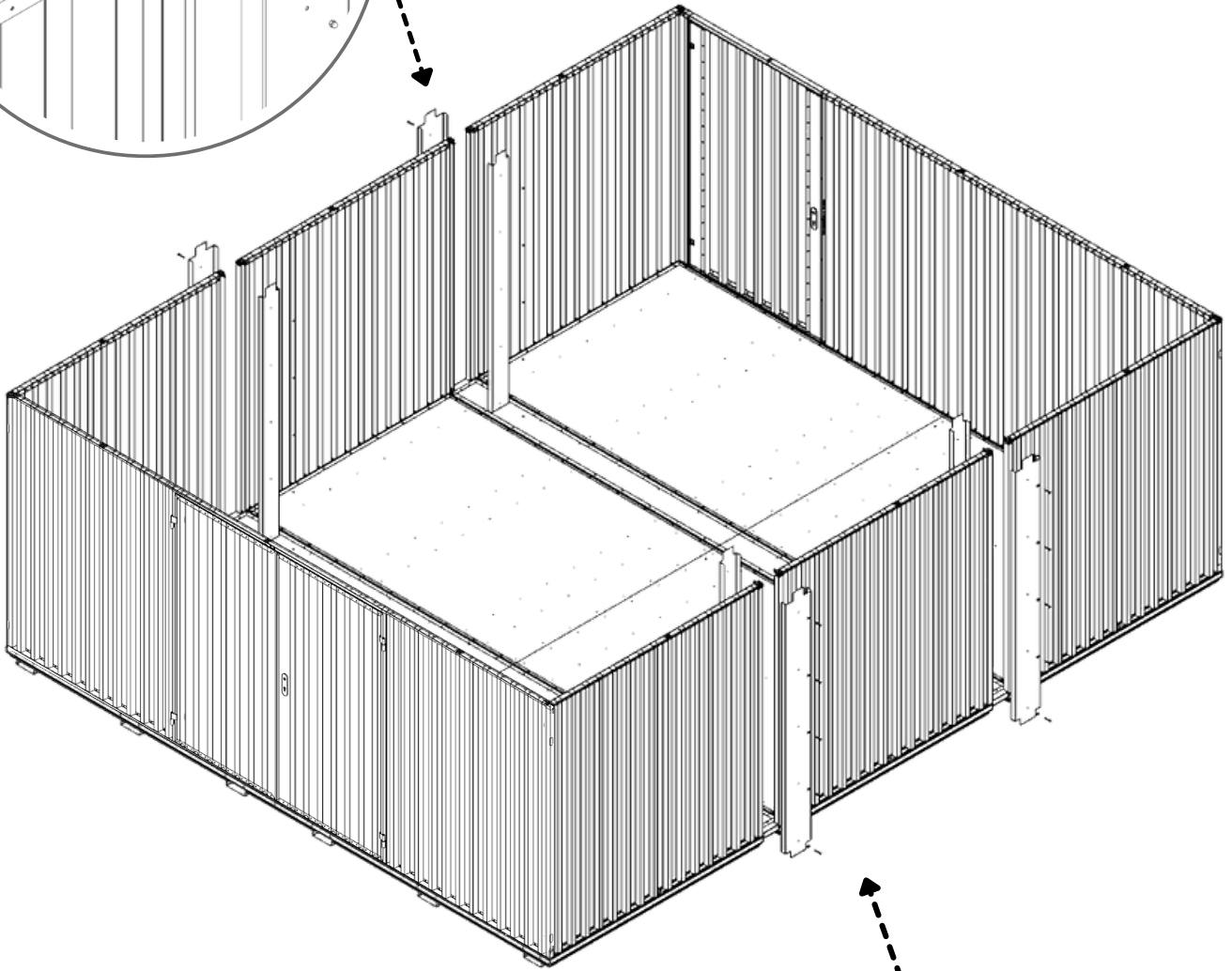
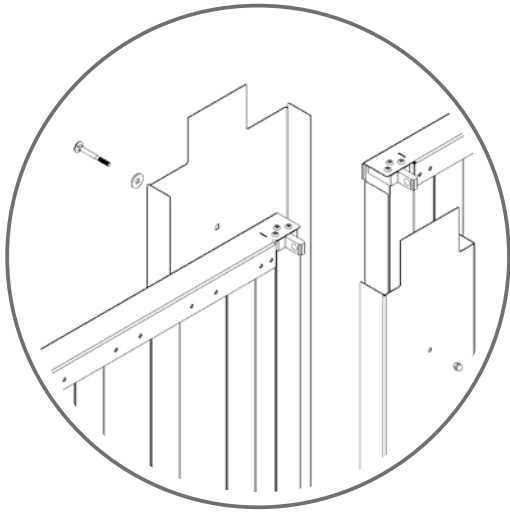
# 7.1



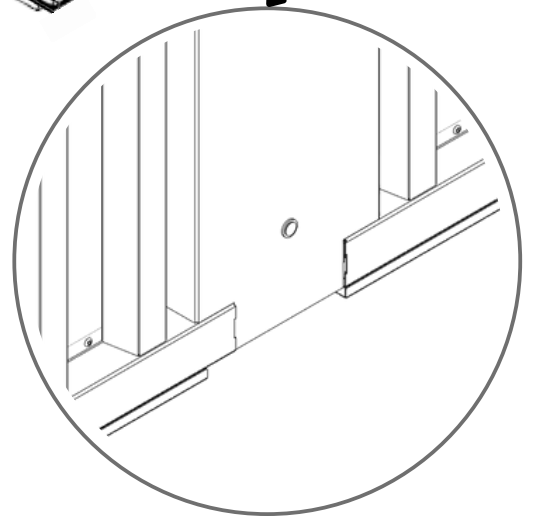
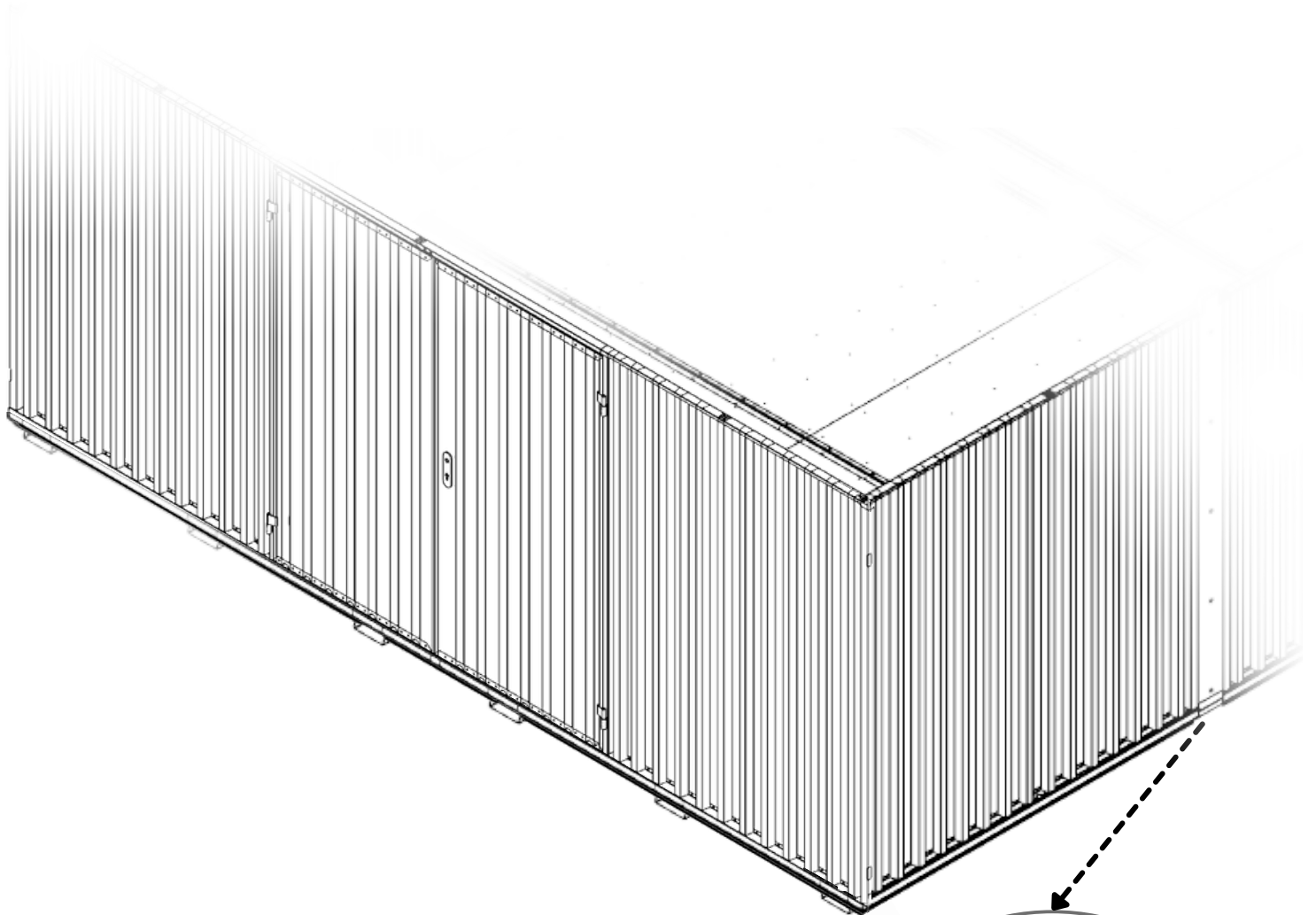
8



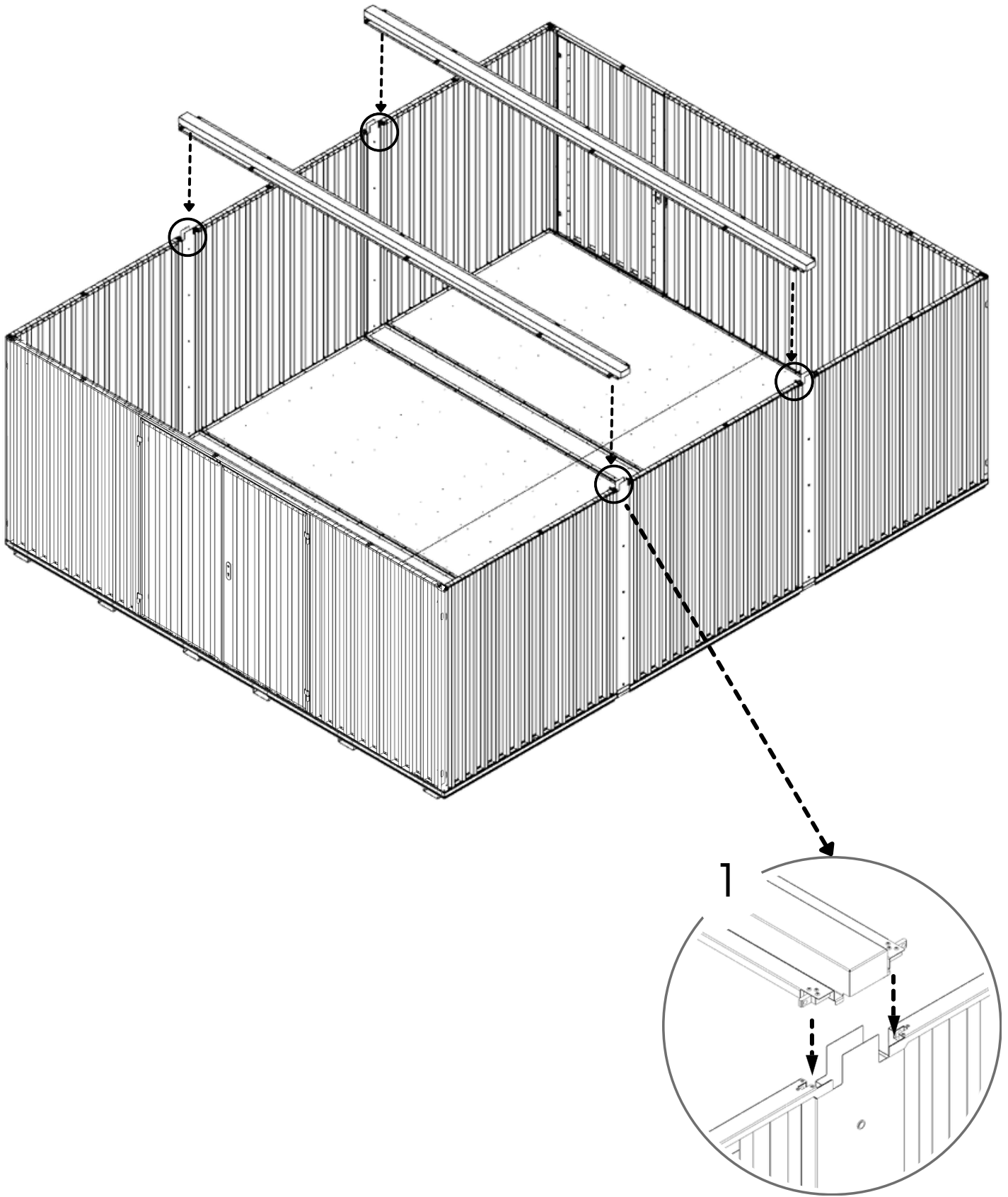
9



# 10

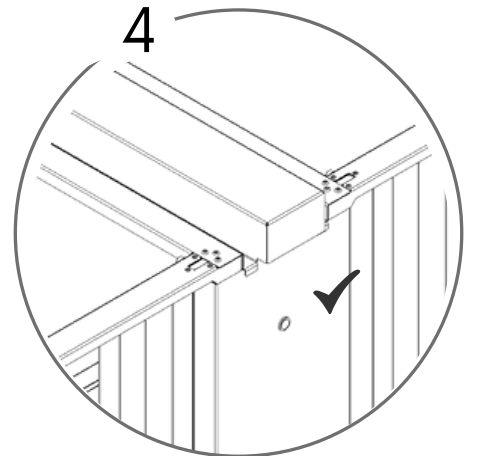
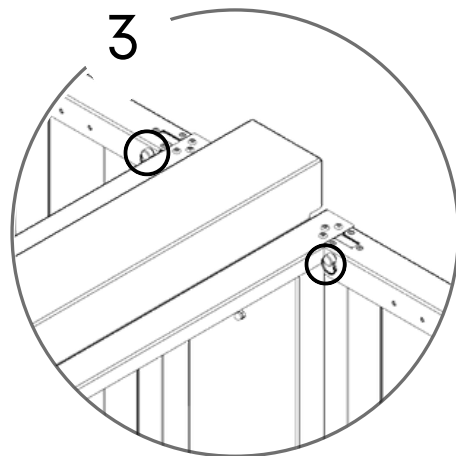
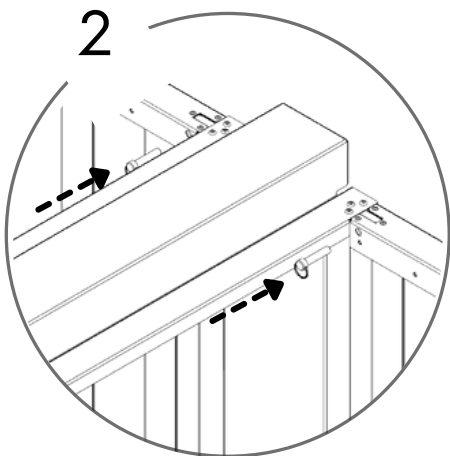
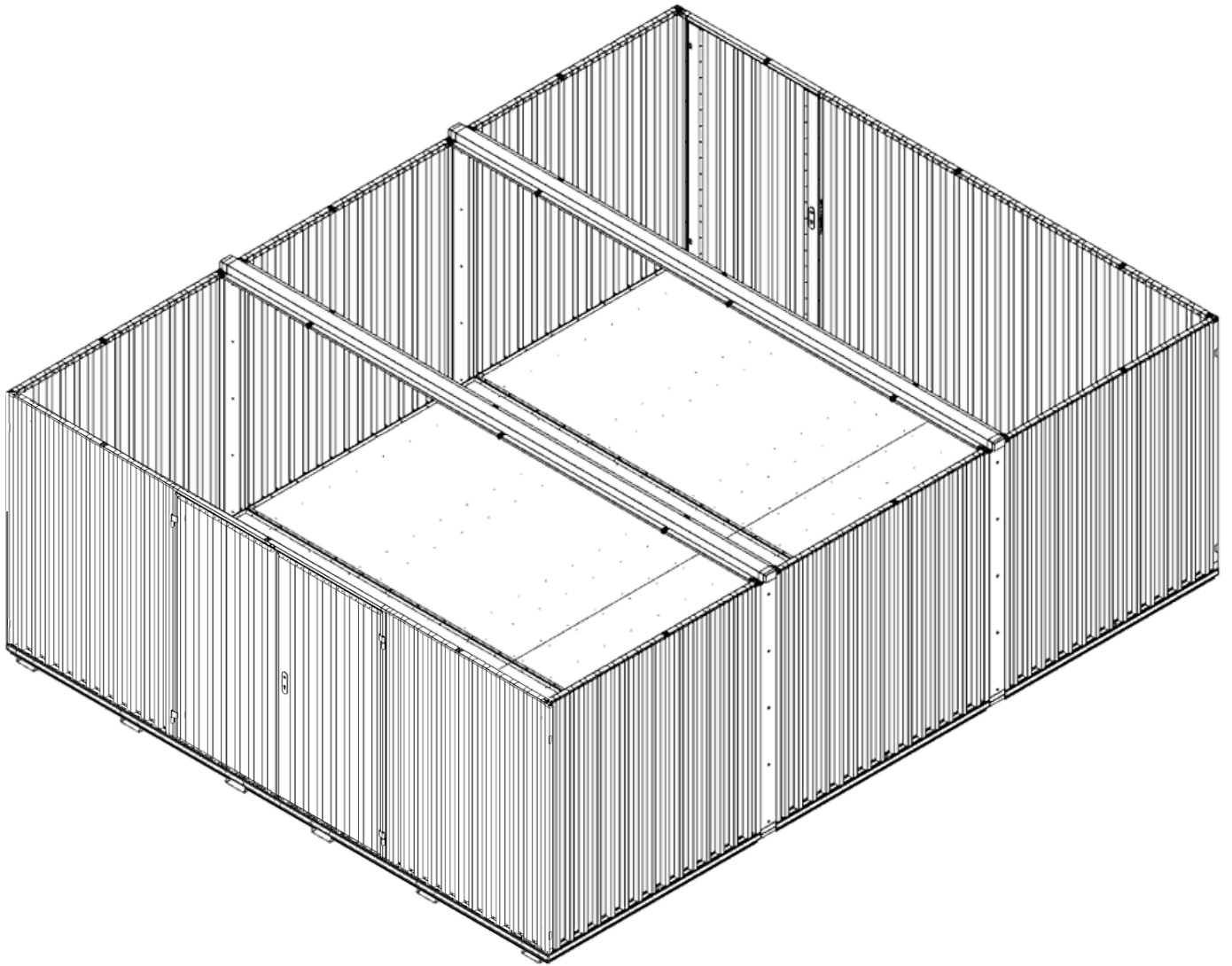


# 11











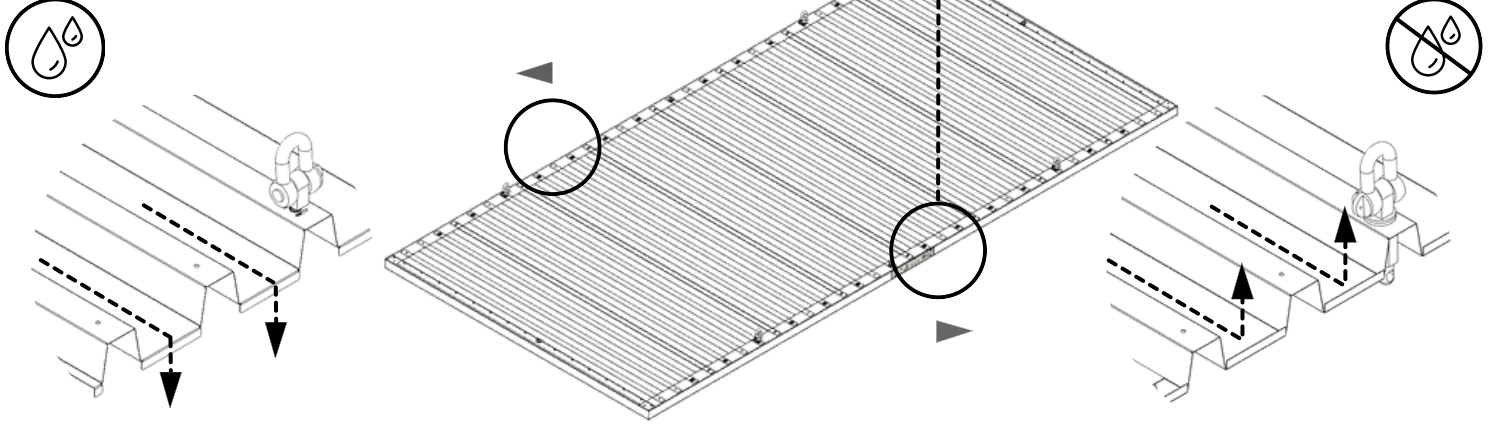


# 12

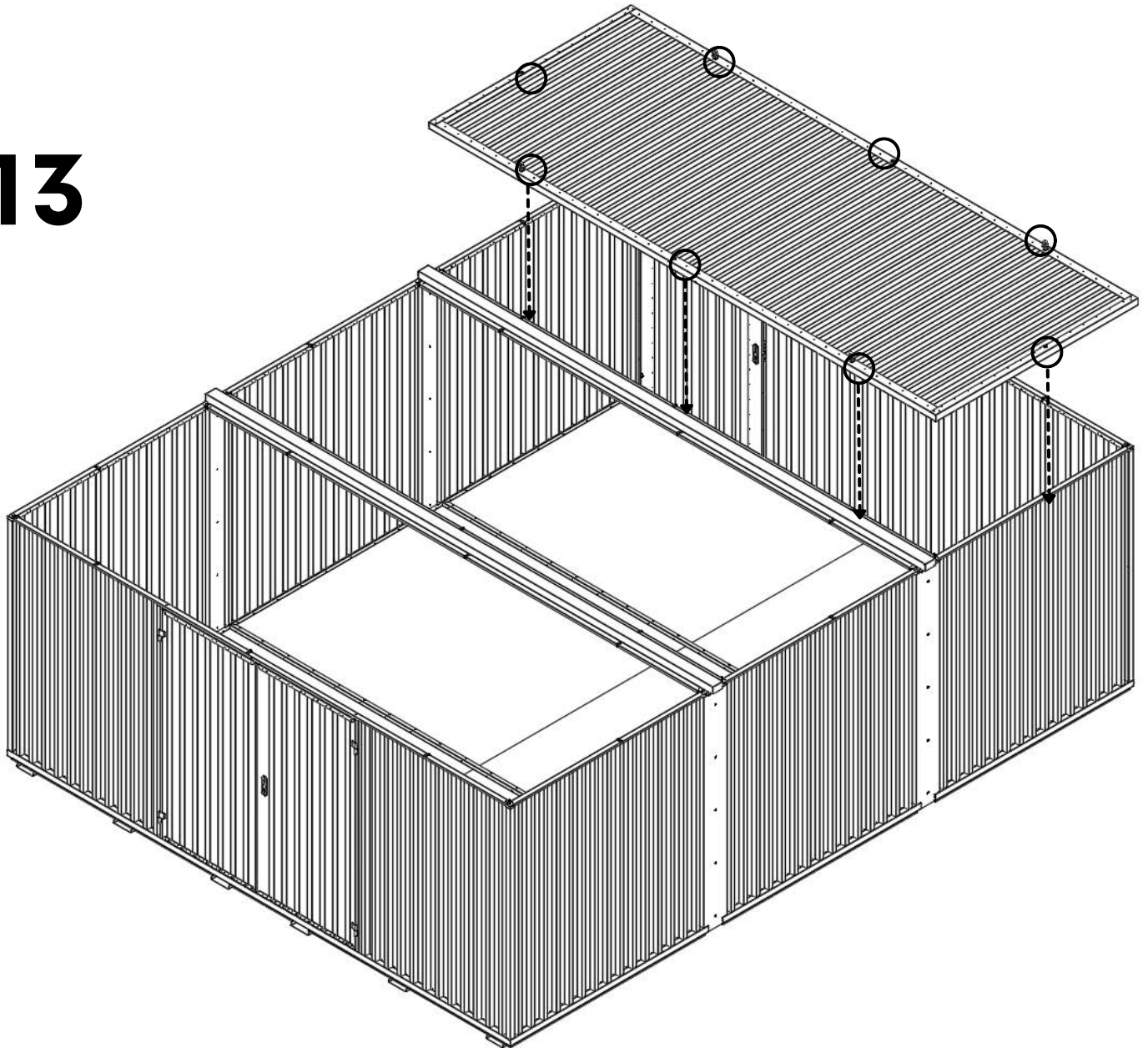




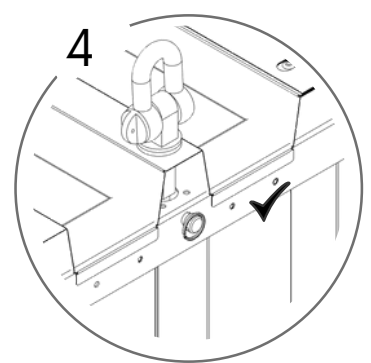
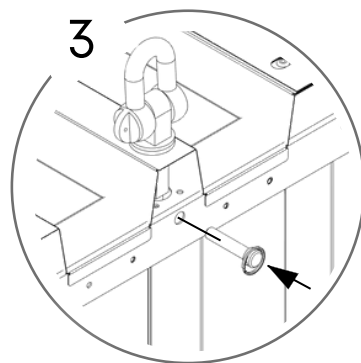
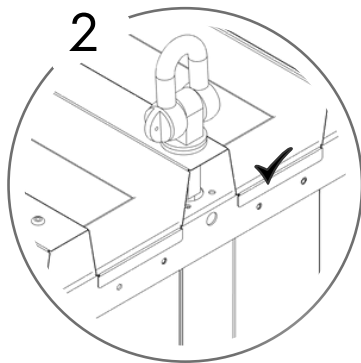
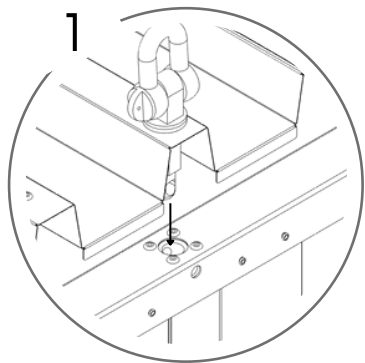
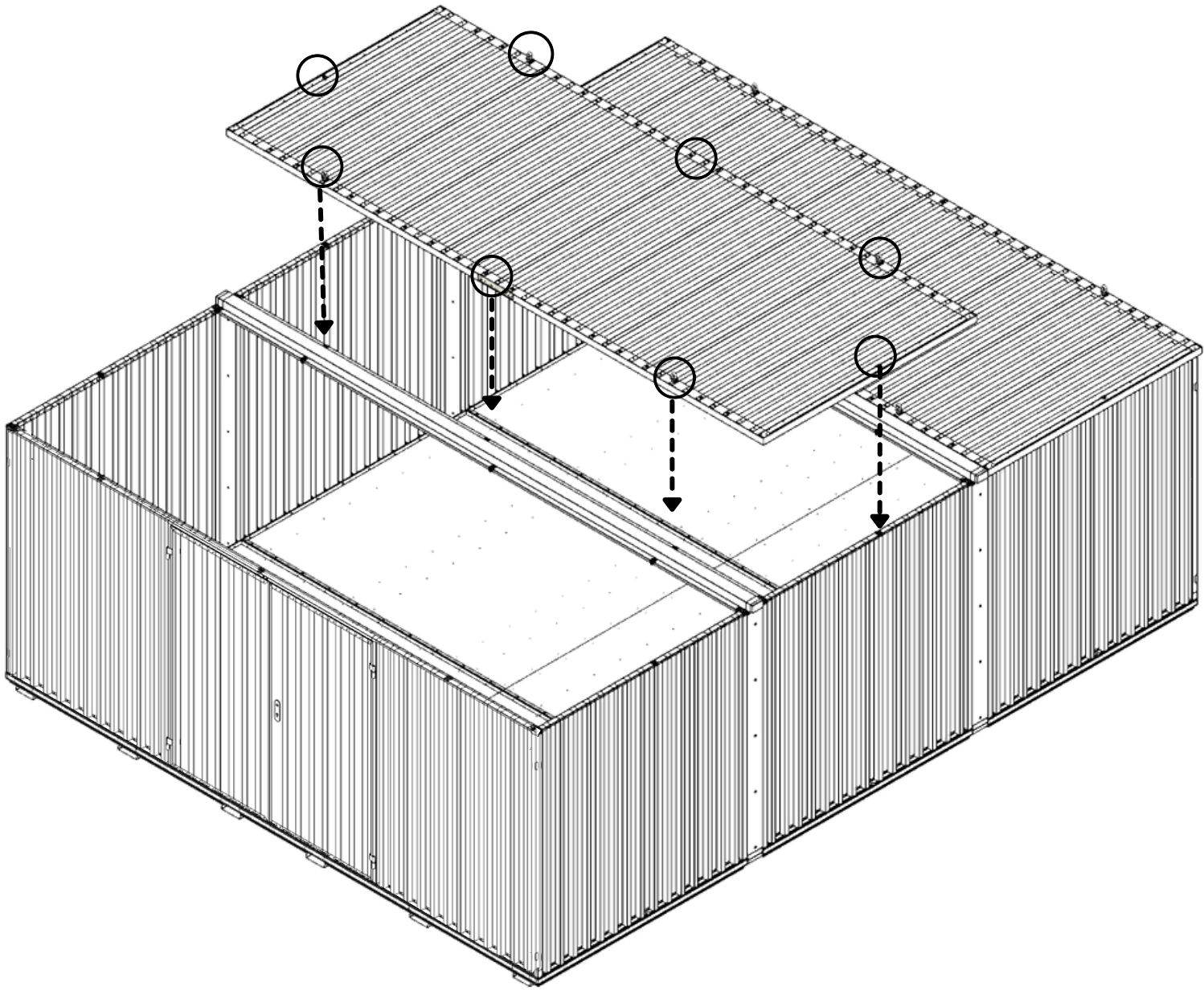
 1277 KG	 1640 MM	Model Code: 5055.110.430.440 Production Tracking Code: ...../X09.1.5055.430.440  9001  14001  50001	 	
--	--	---	---	---



13

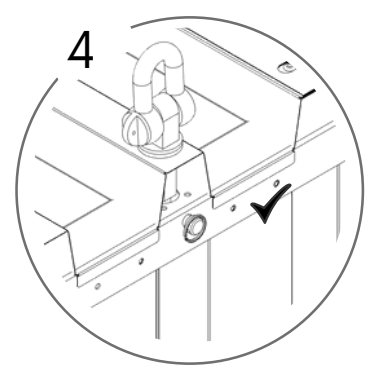
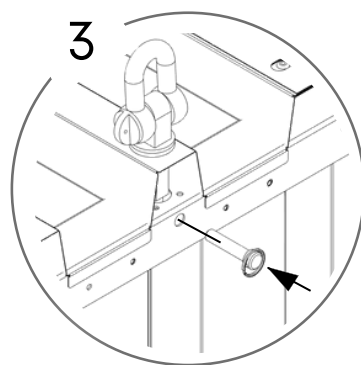
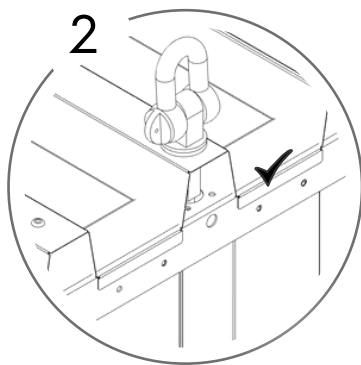
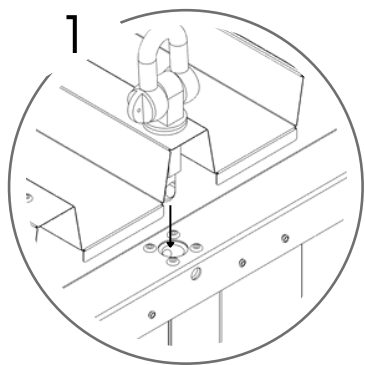
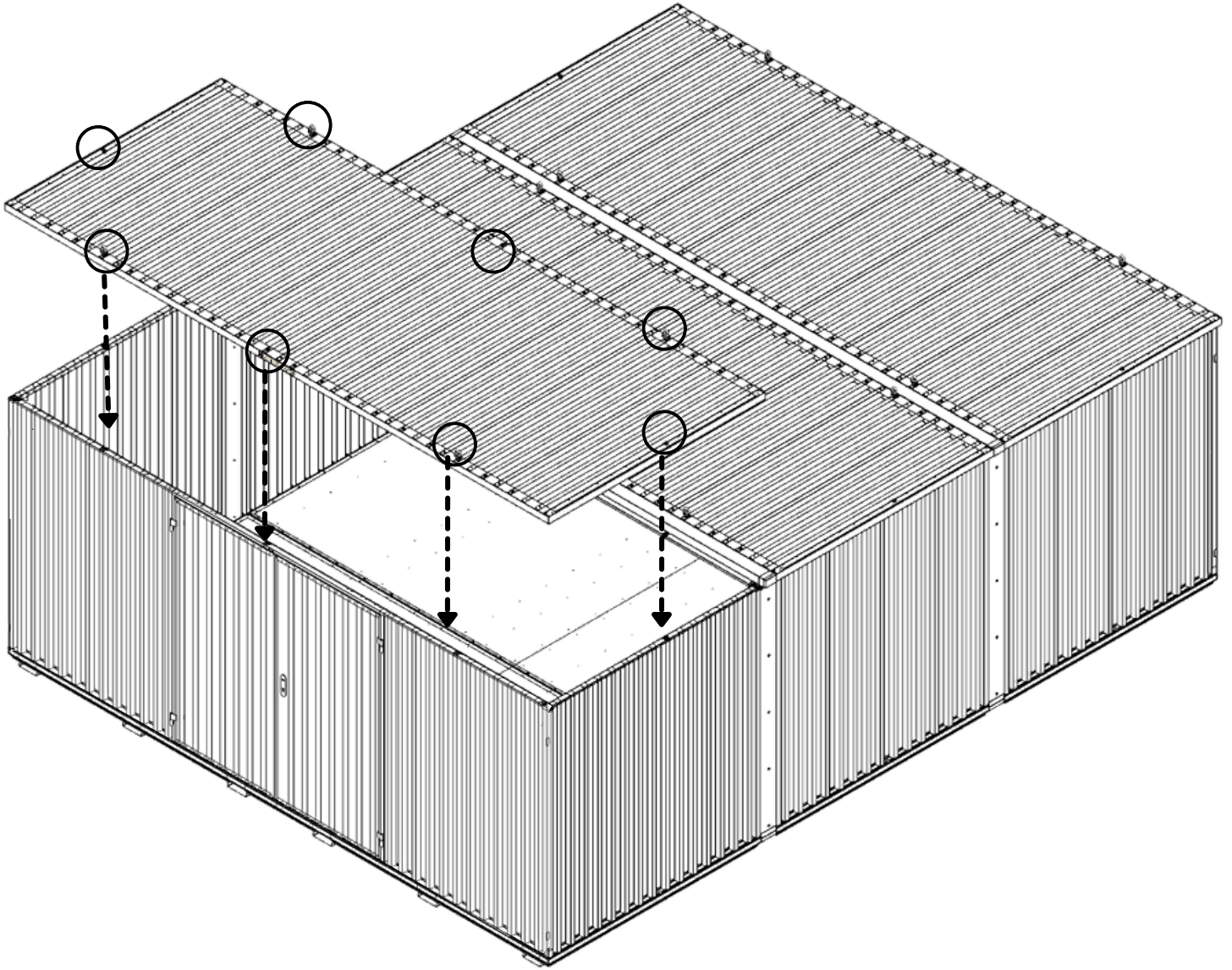


# 14

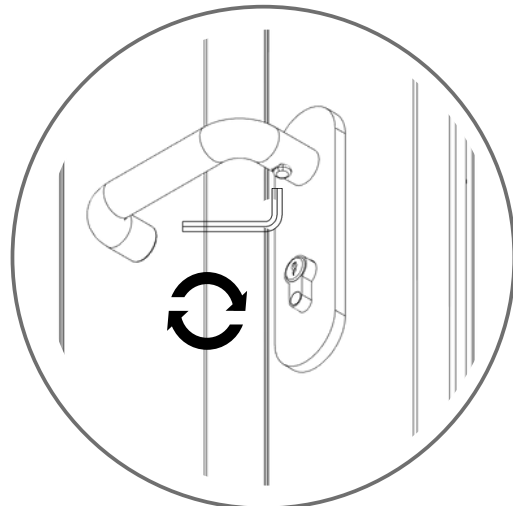
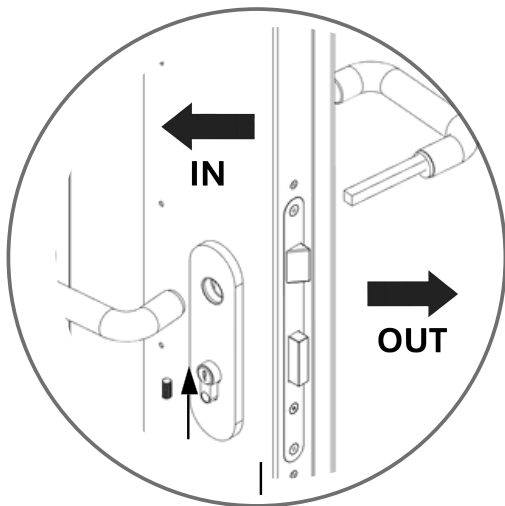
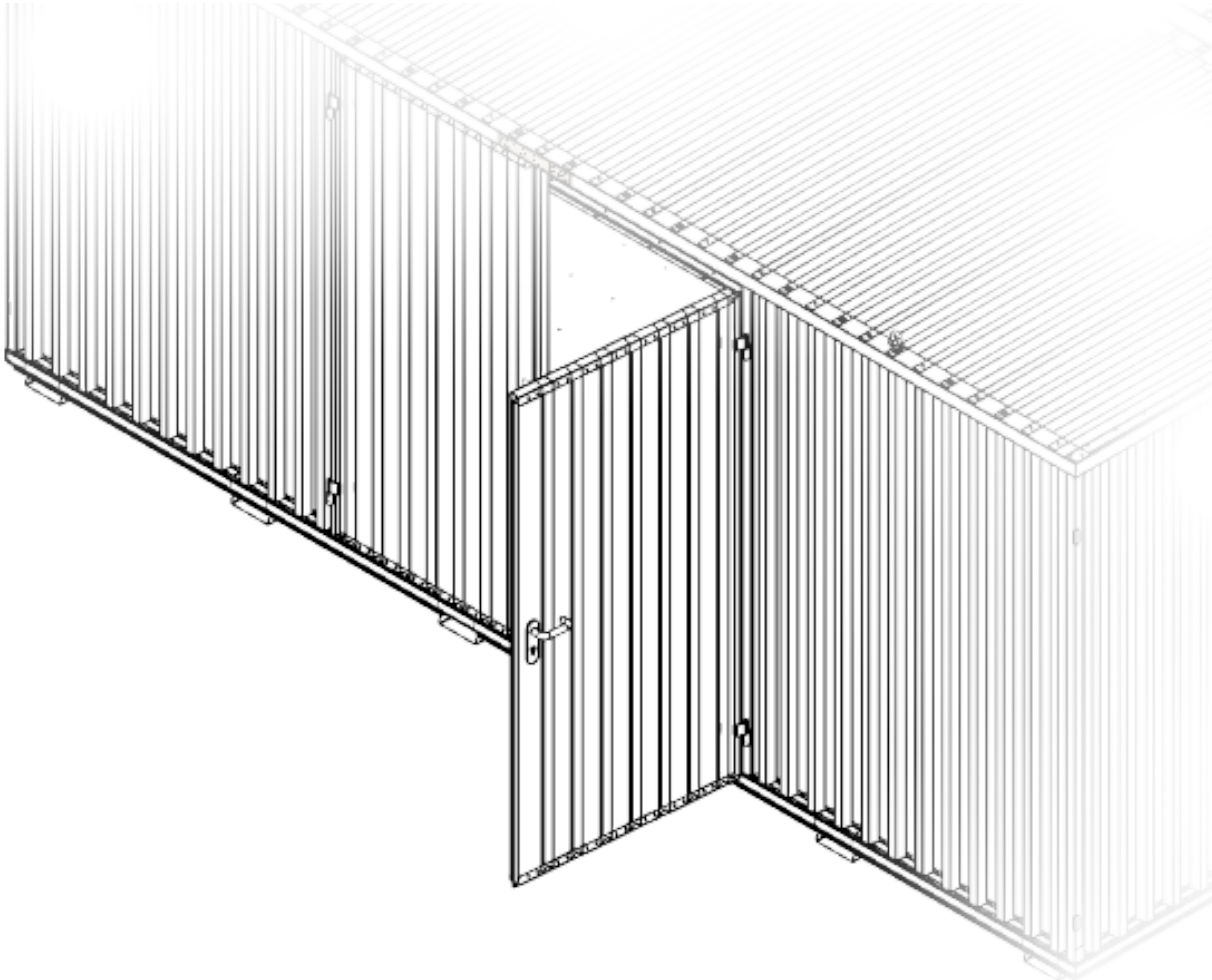




# 15



# 16





17

