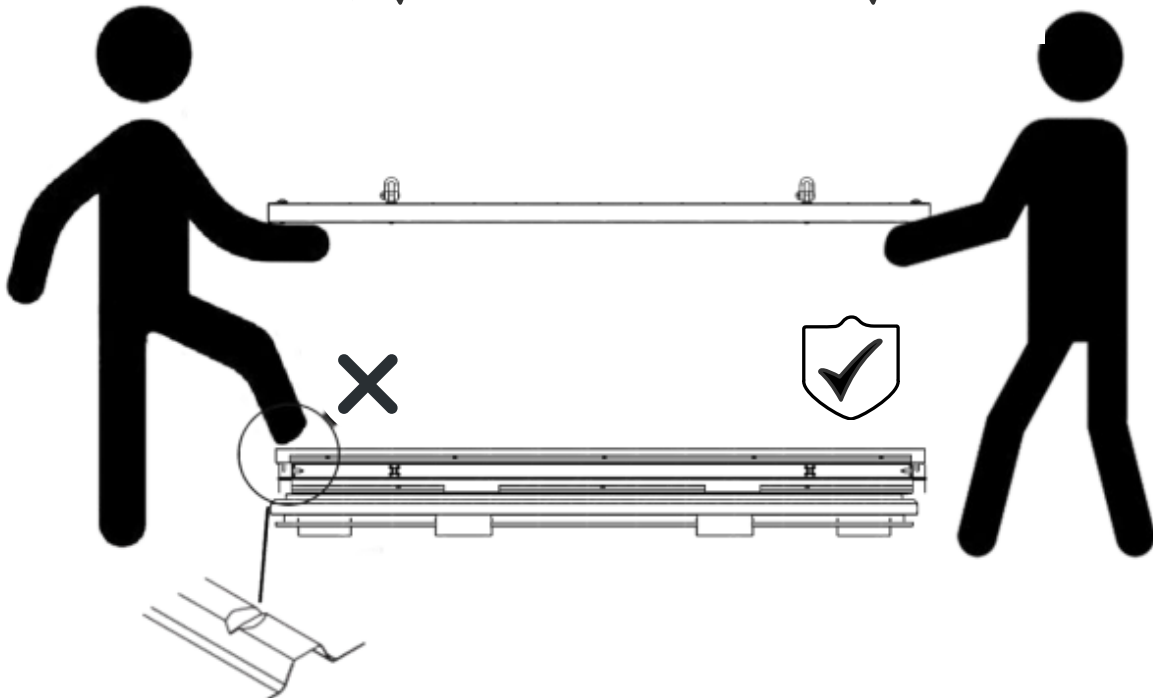
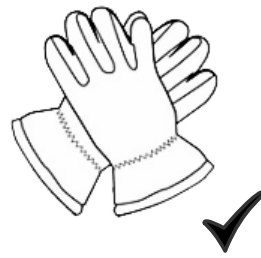


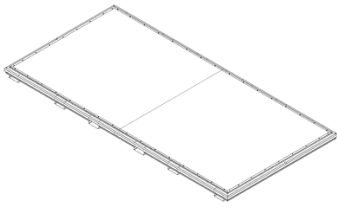
PRODUCT CODE:4040.110.330.331

prefabase
Quick Build Solutions

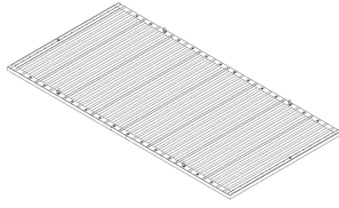
Instructions and User Guide



40.0110
2x



40.0510
2x



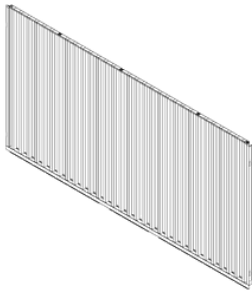
306.0110
1x



306.0510
1x



40.0410
4x



0330
2x



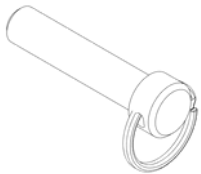
306.40.05
2x



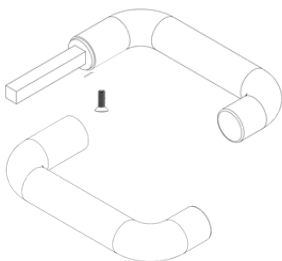
306.40.04
2x



24x



2x



10x



10x



10x



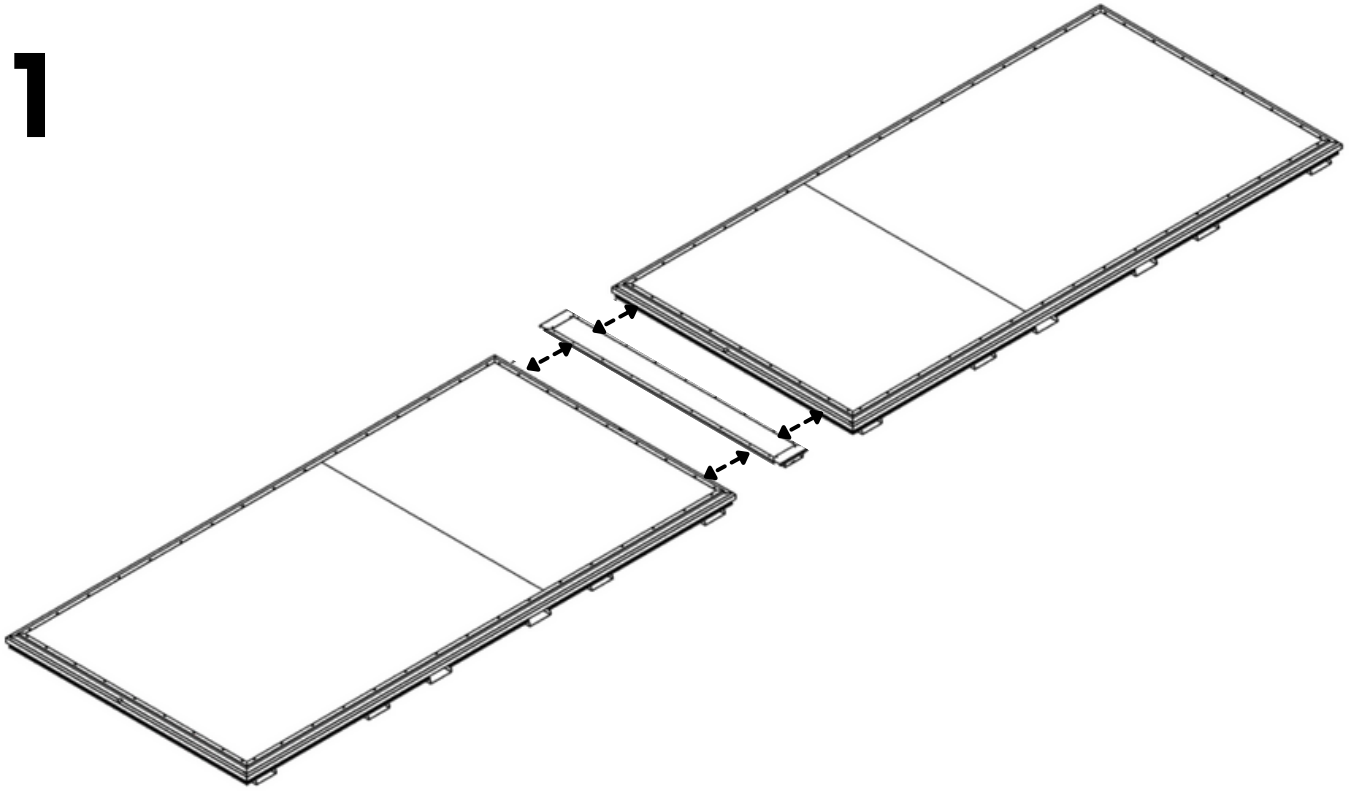
1x



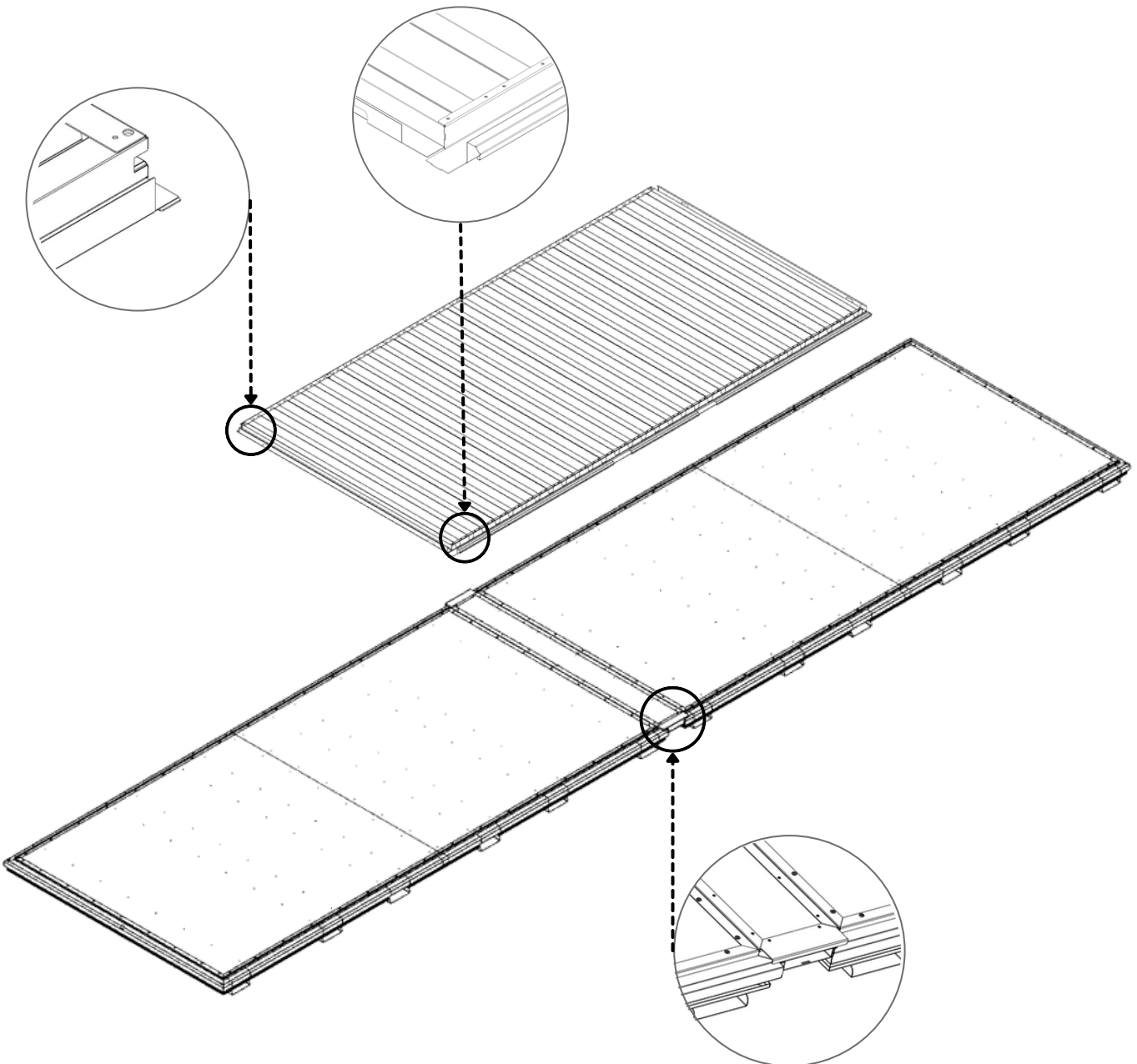
2x

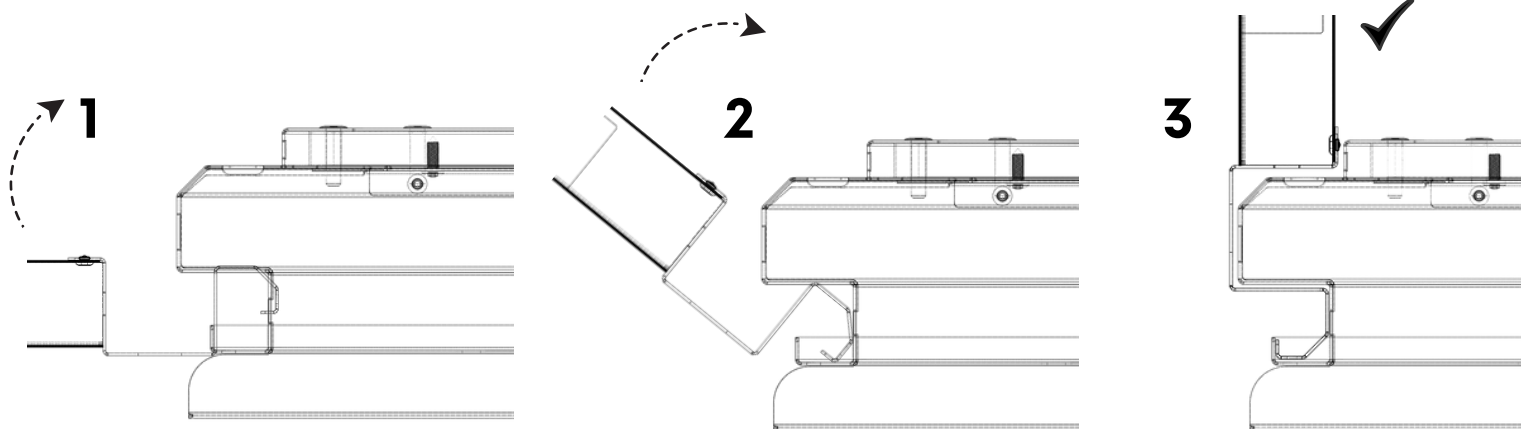


1

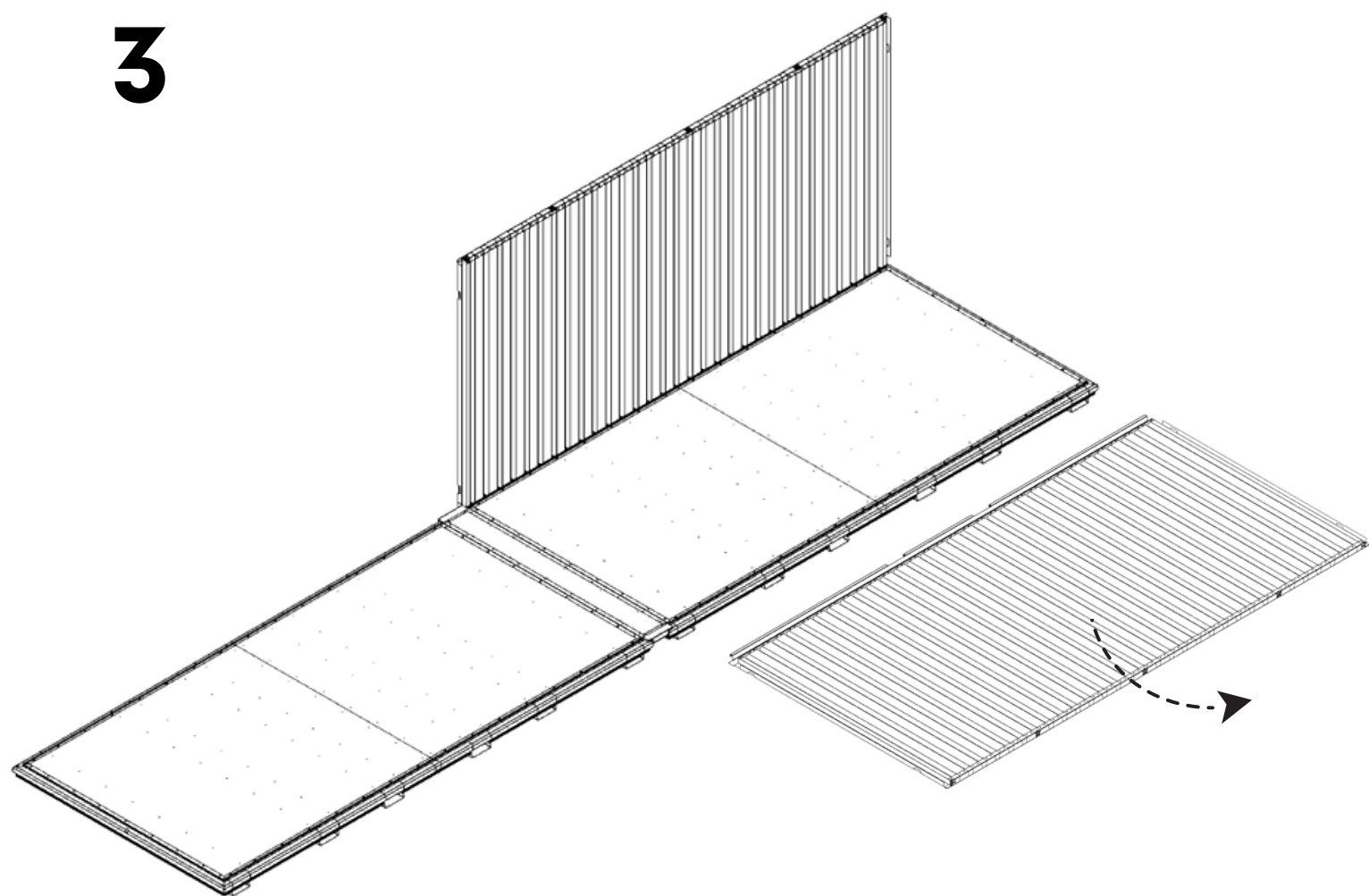


2

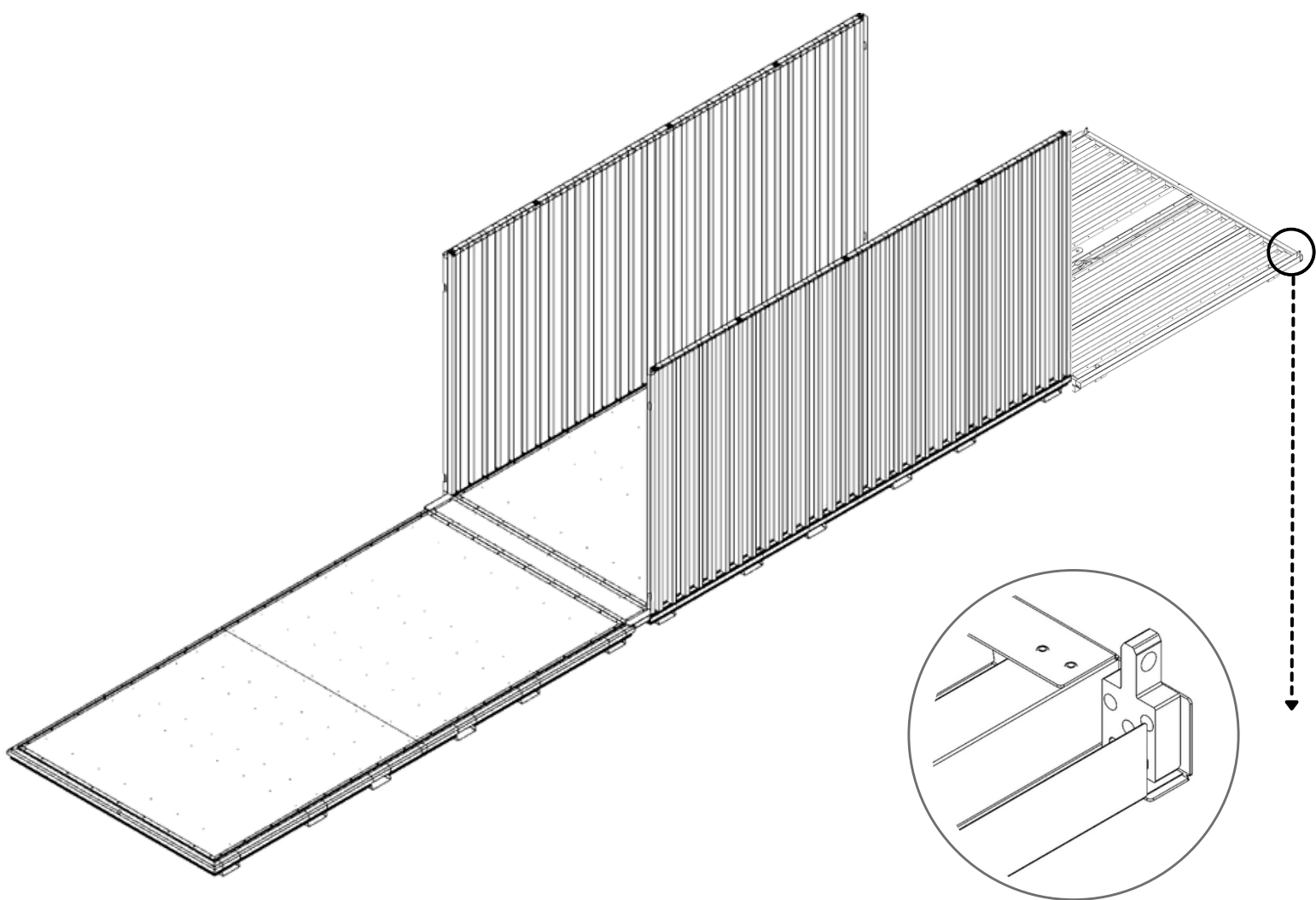




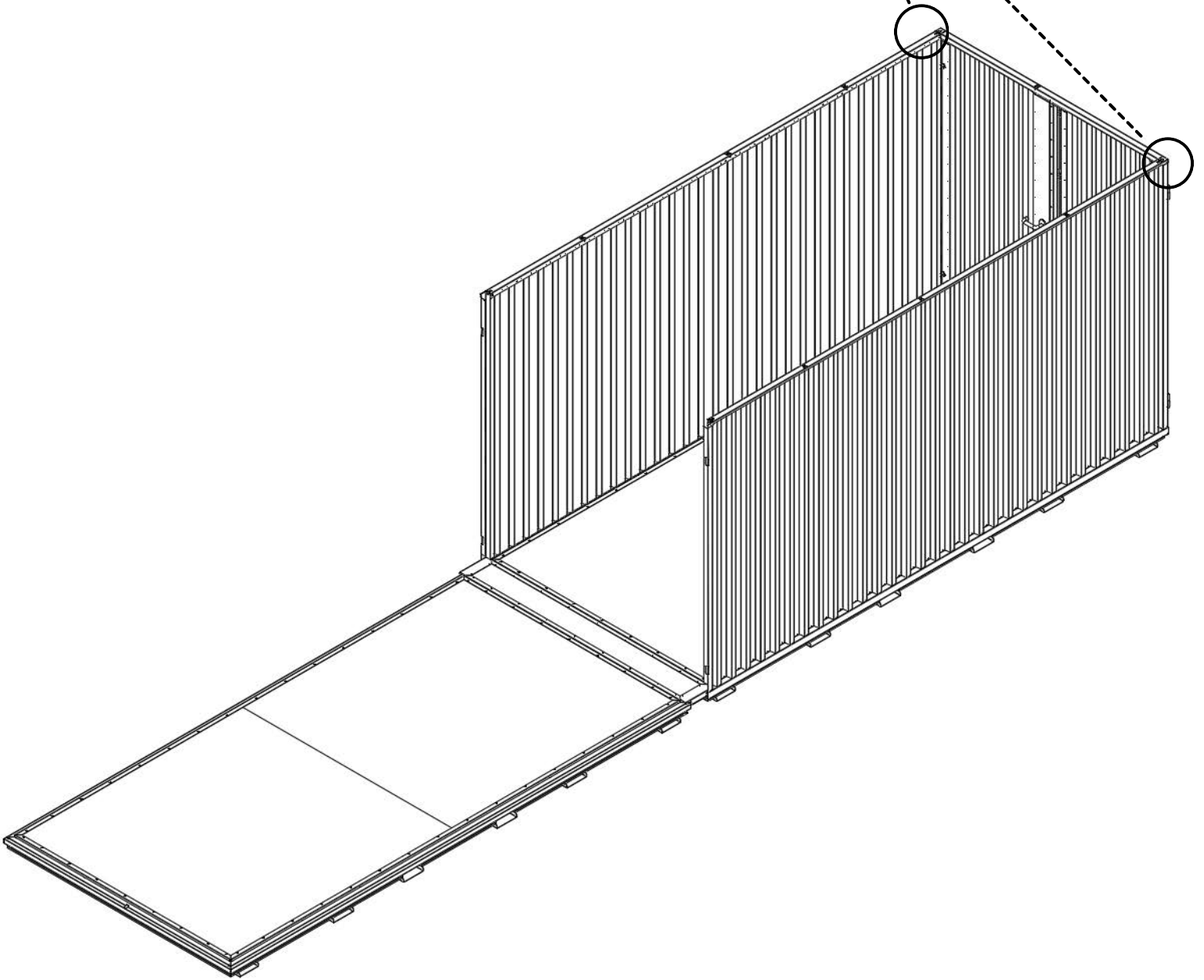
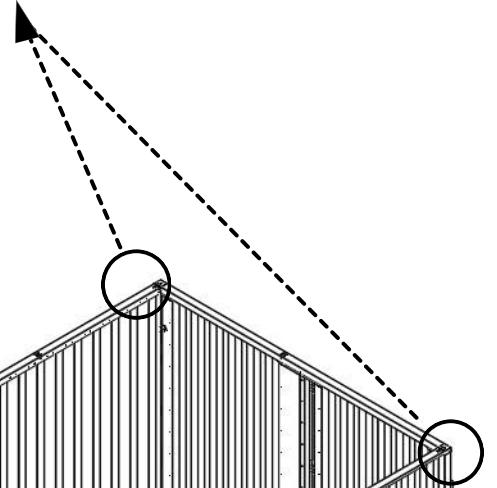
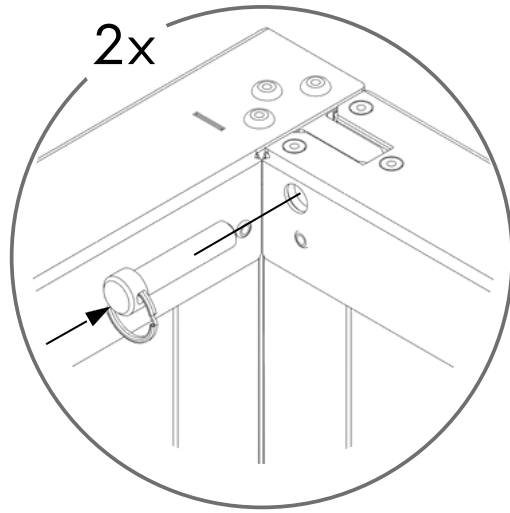
3



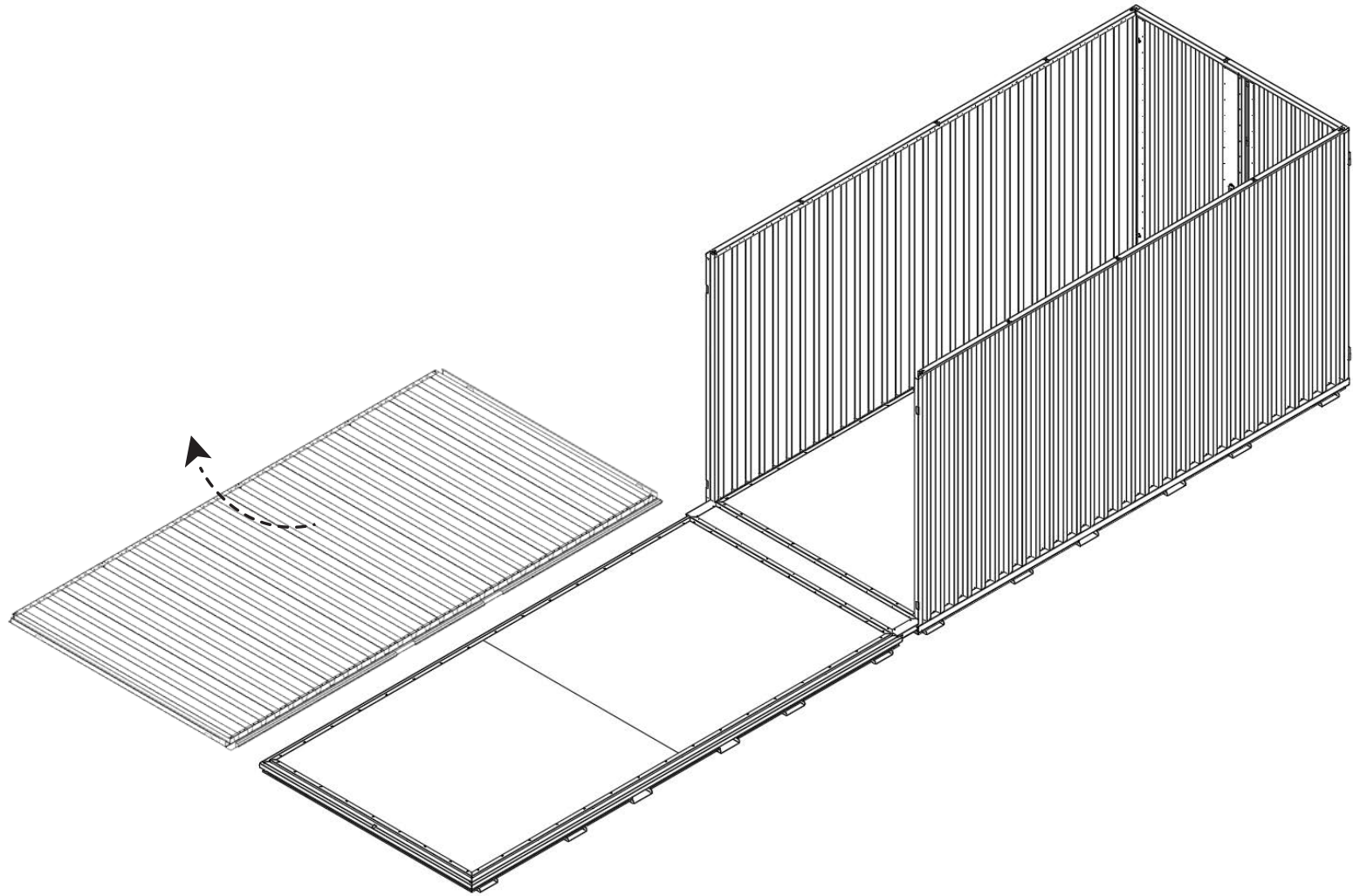
4



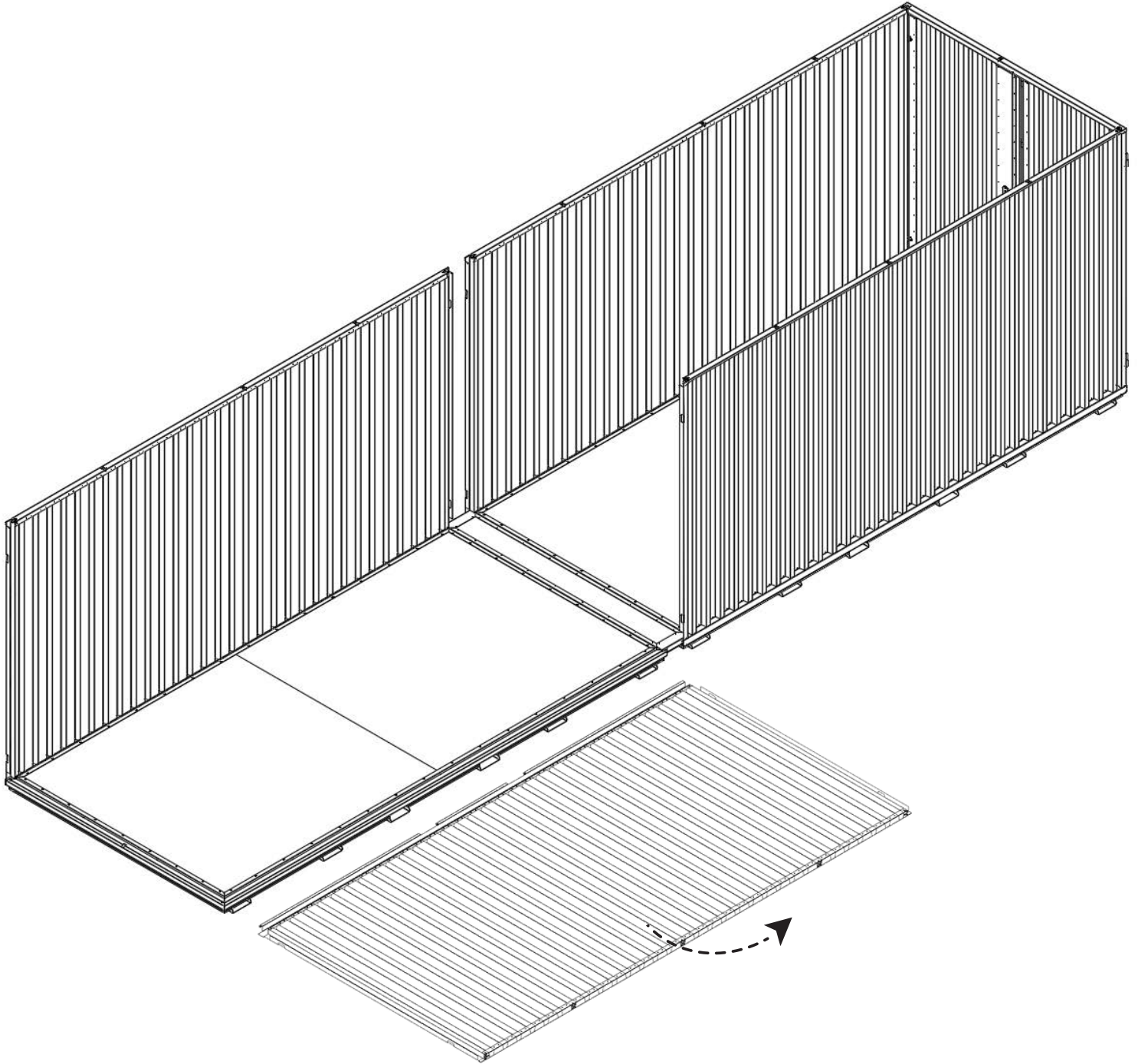
4.1



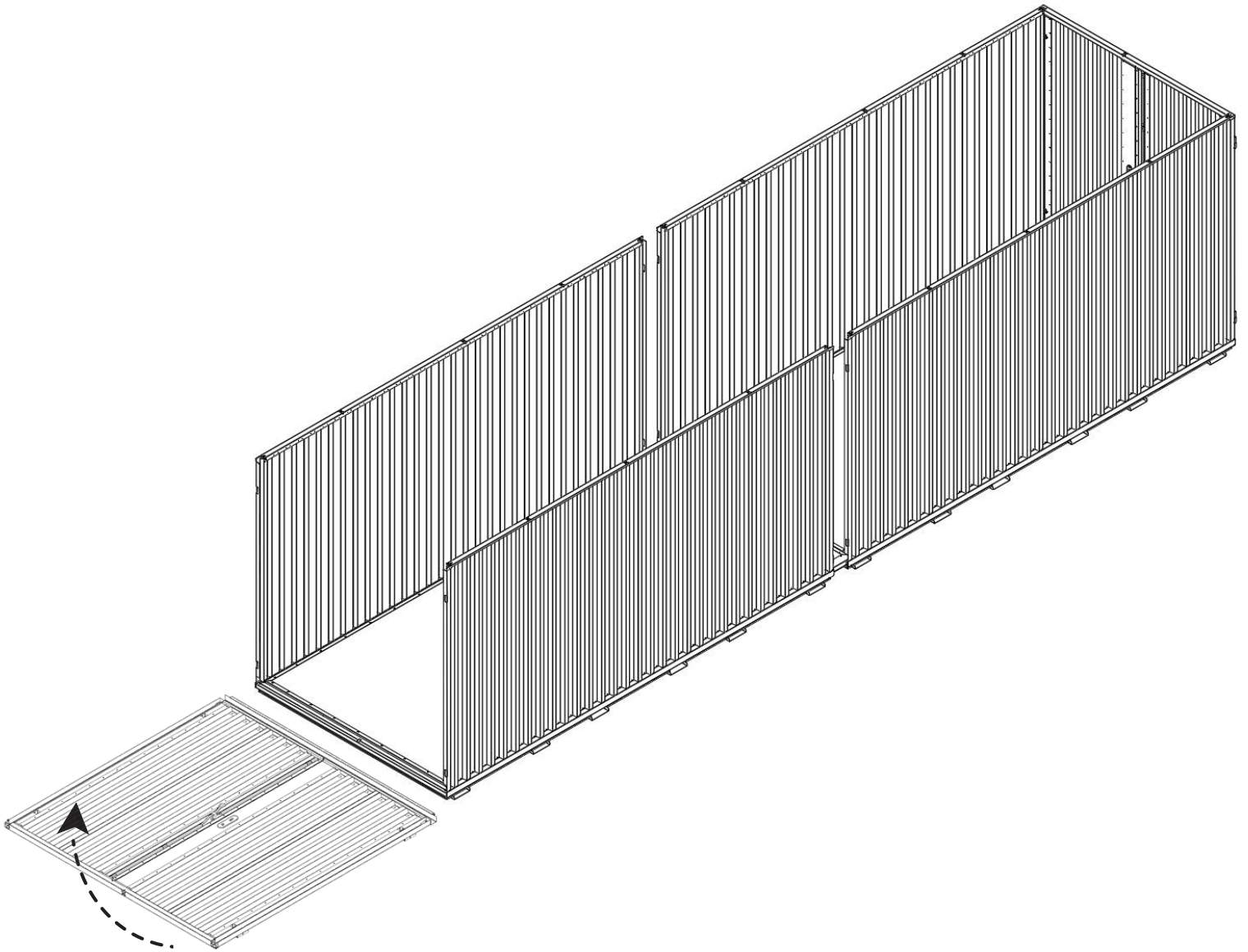
5



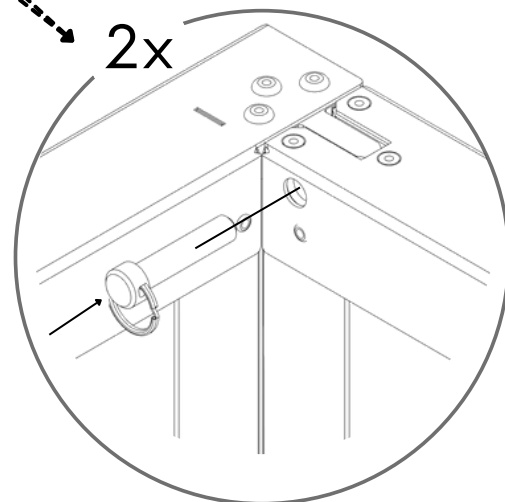
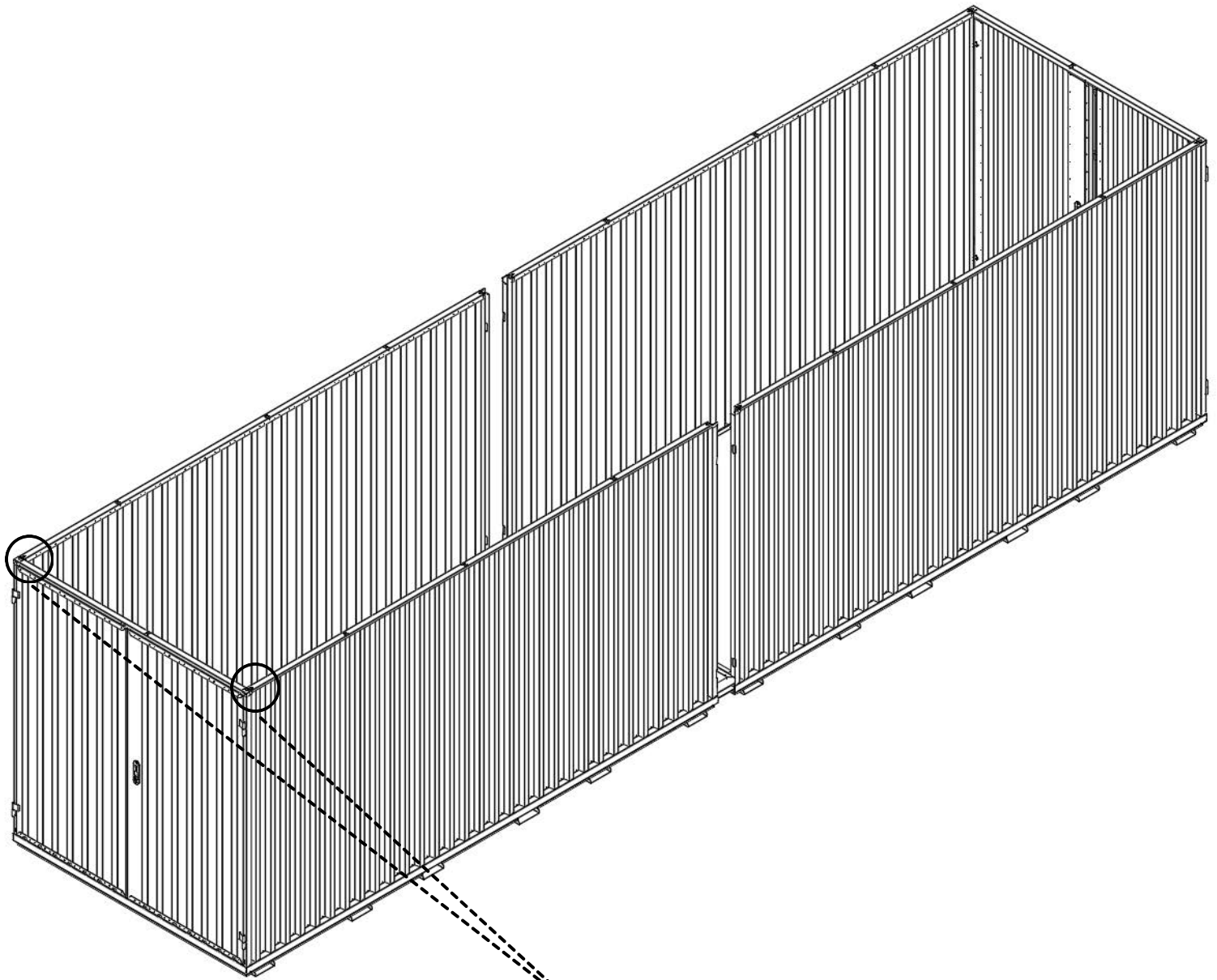
6



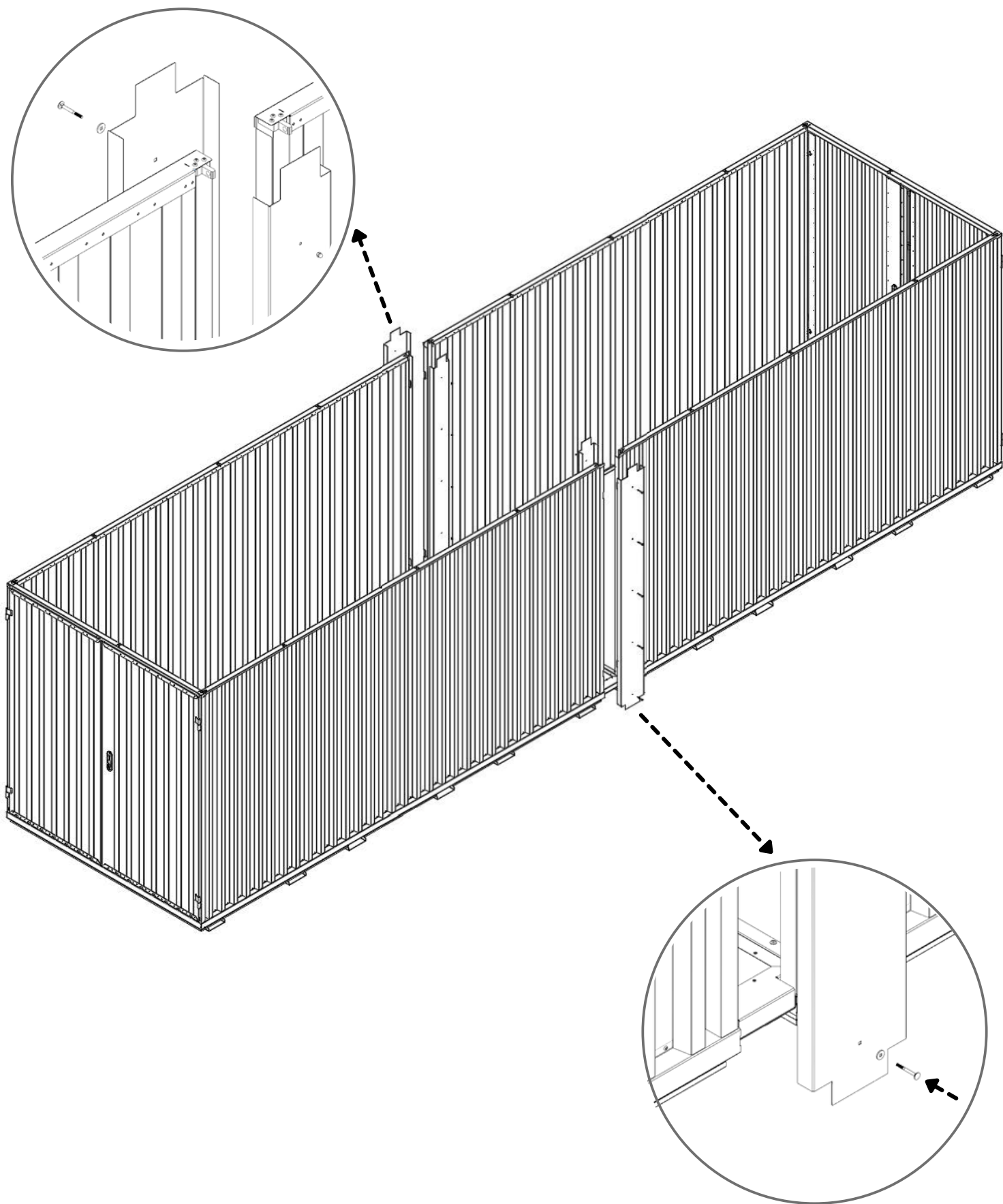
7



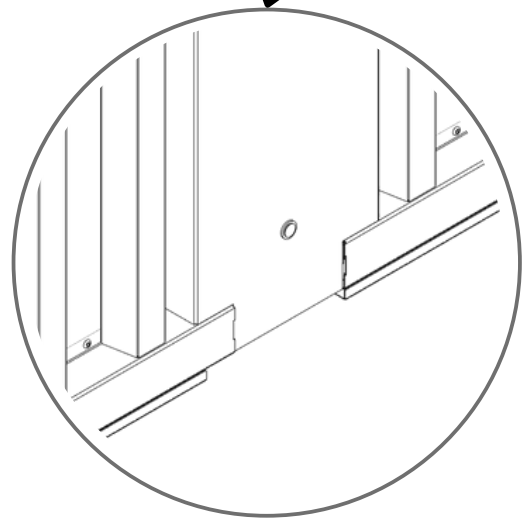
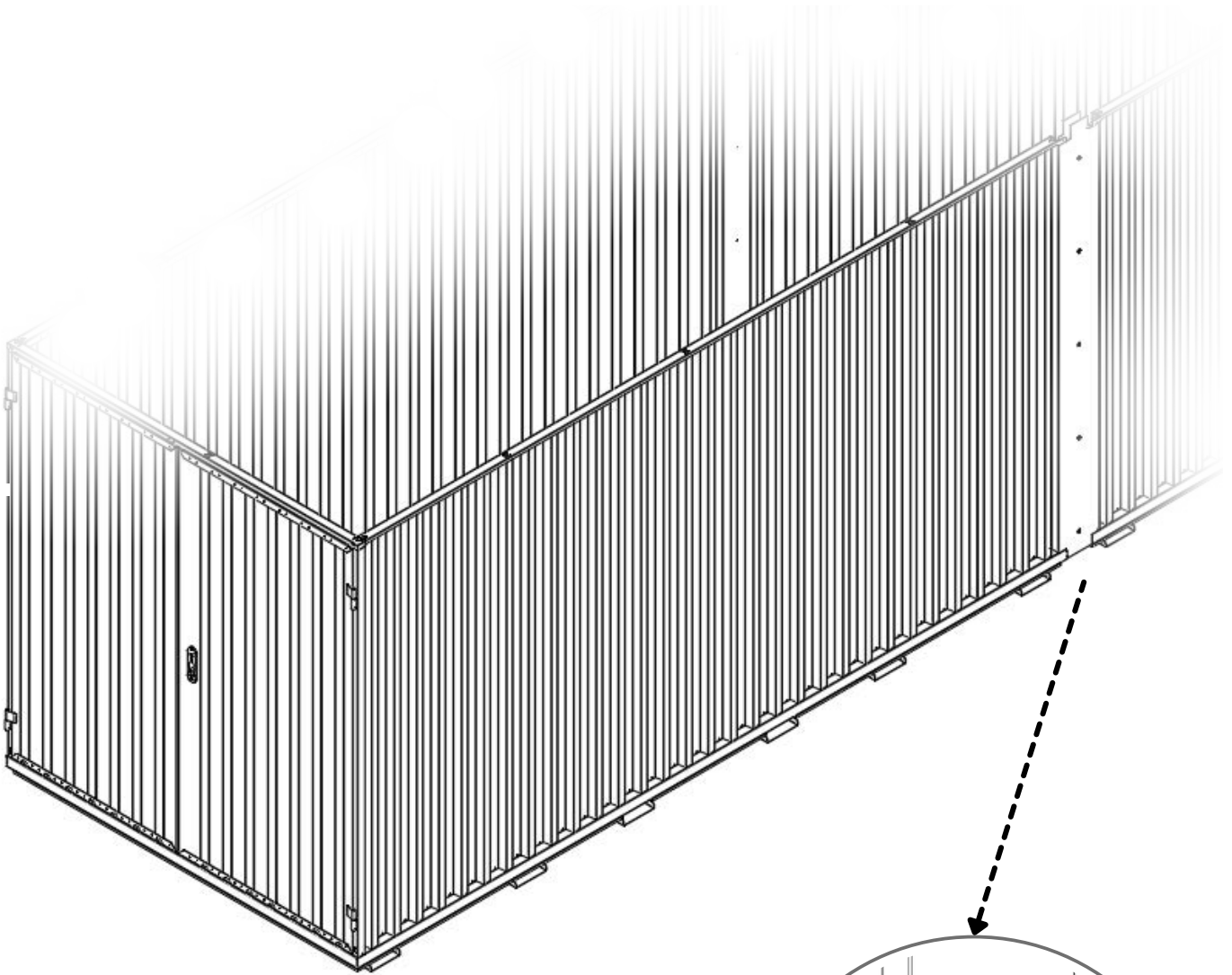
7.1



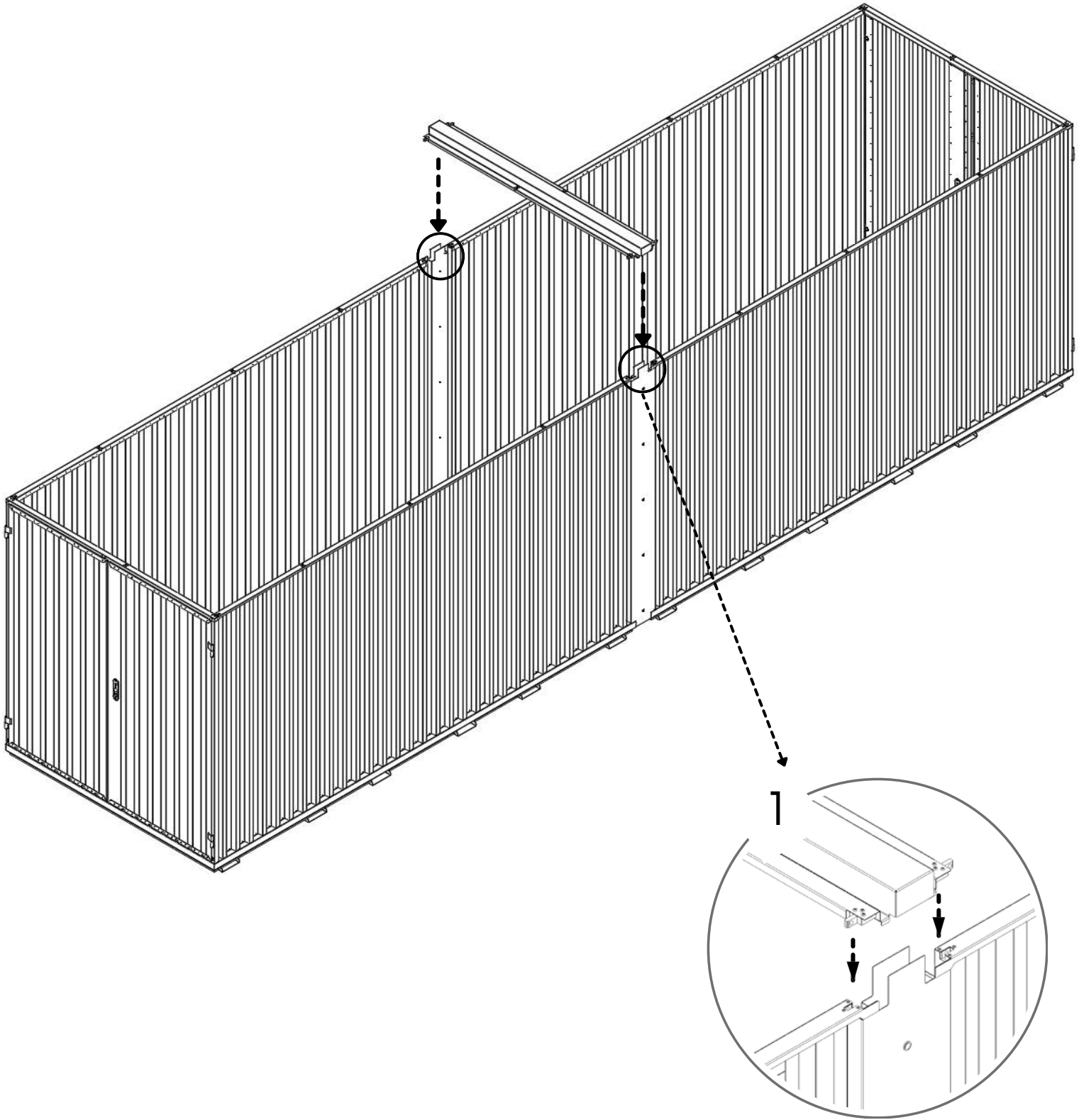
8



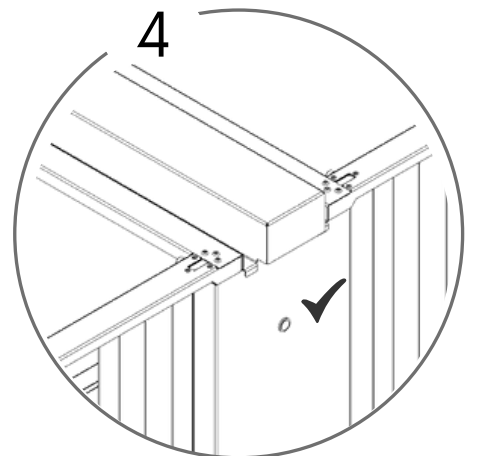
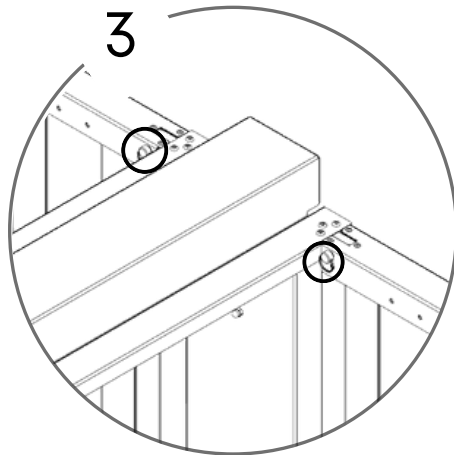
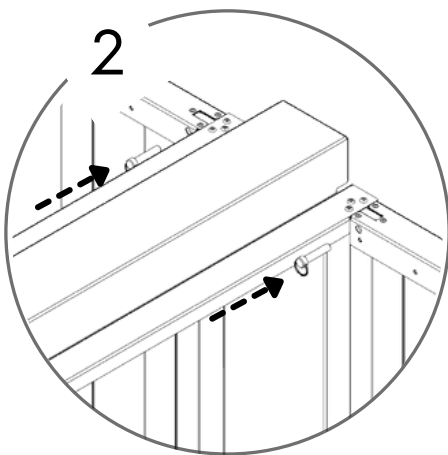
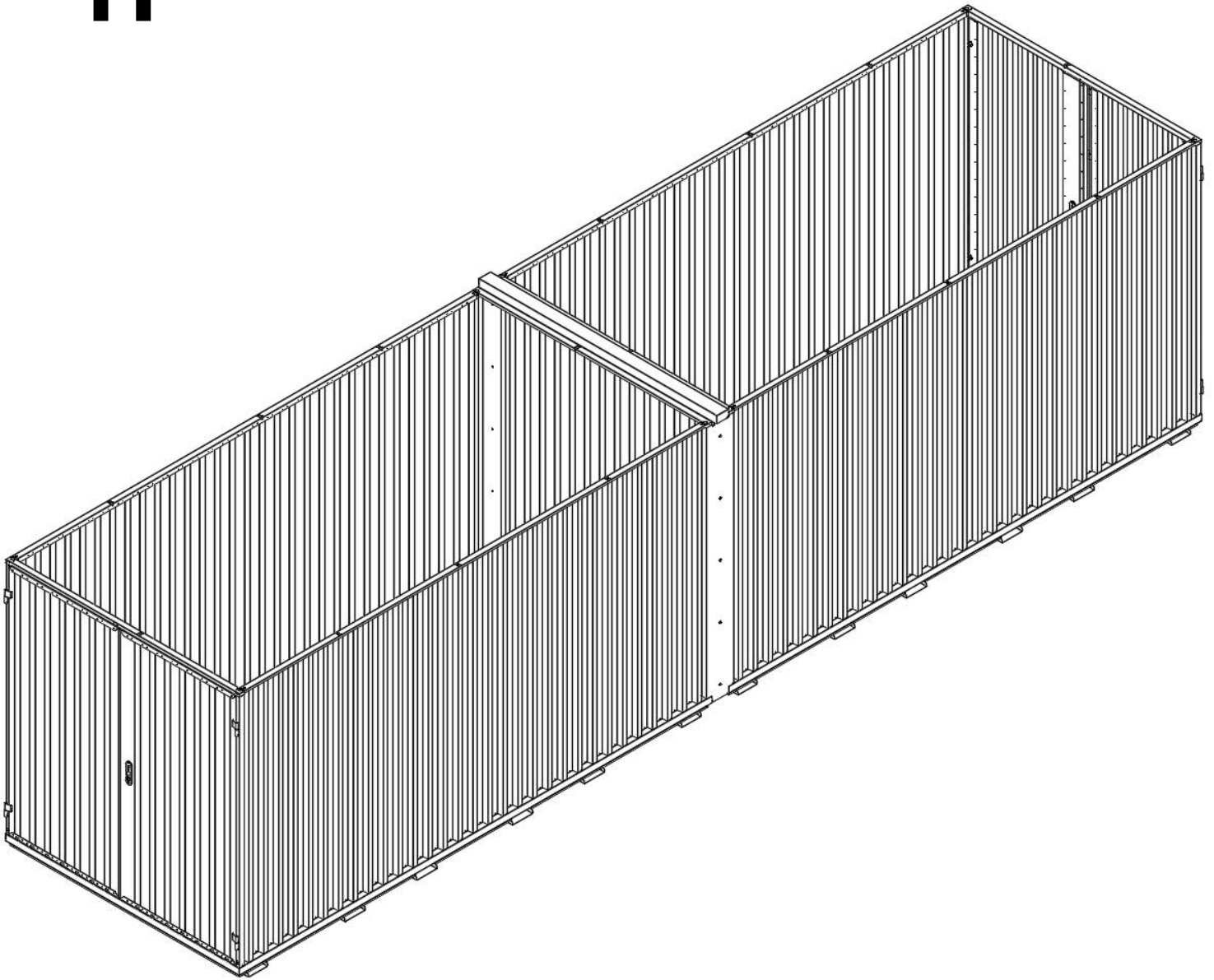
9











10

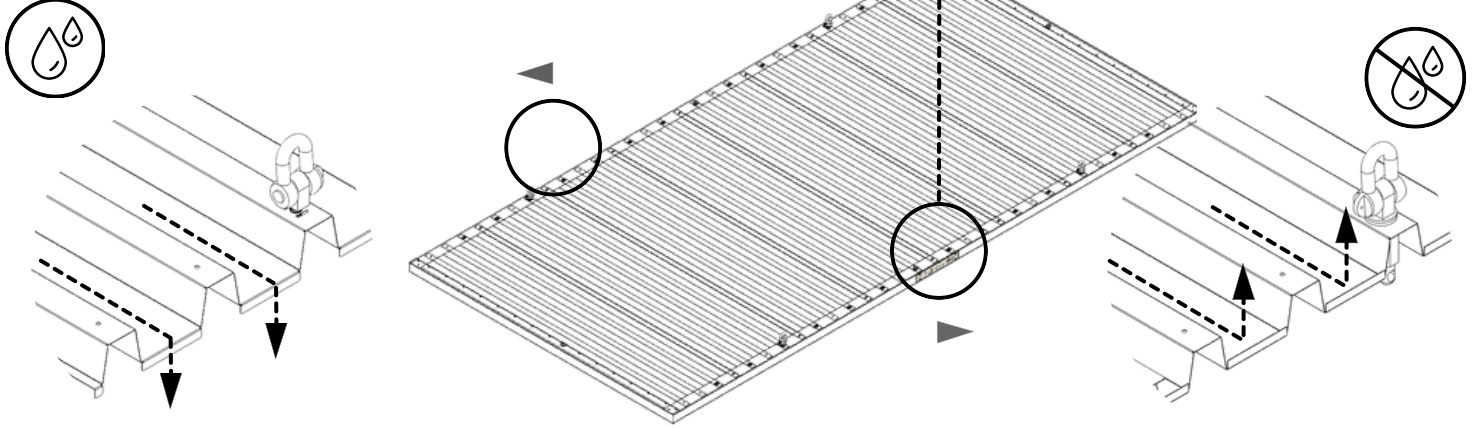


11

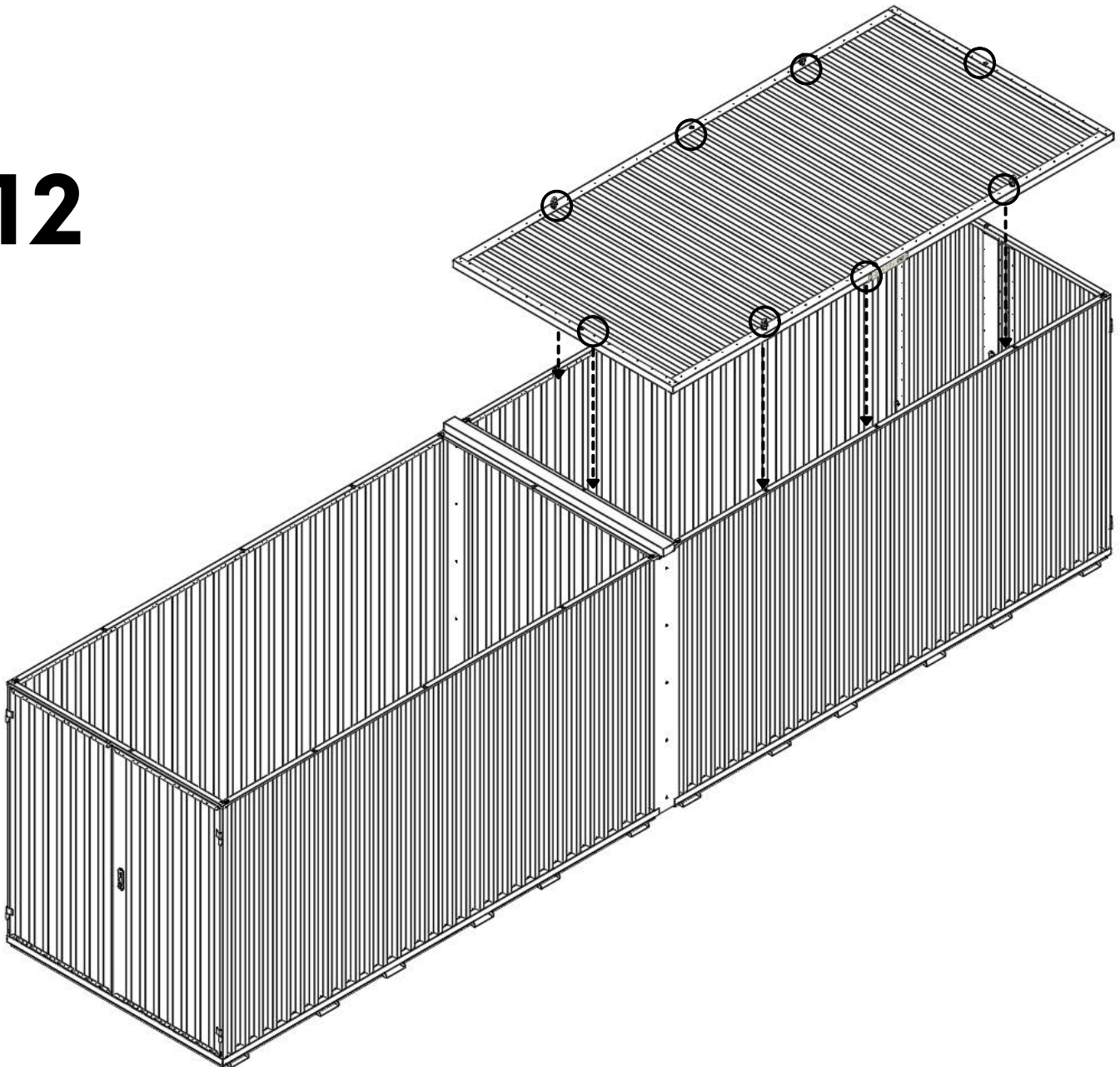




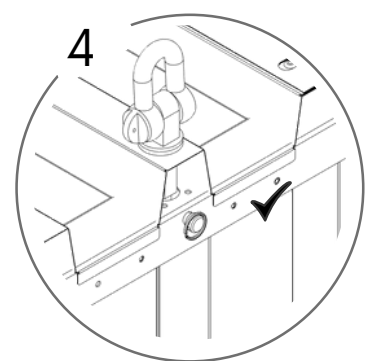
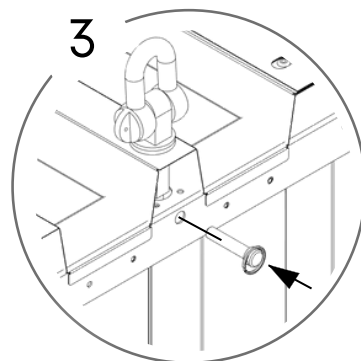
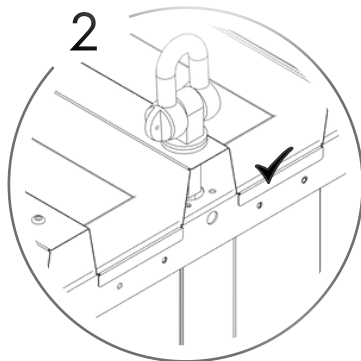
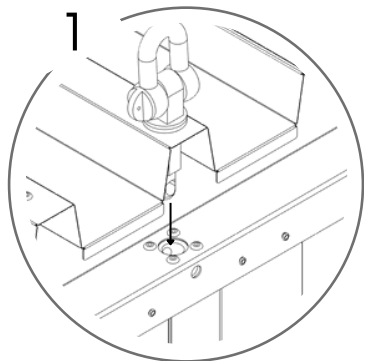
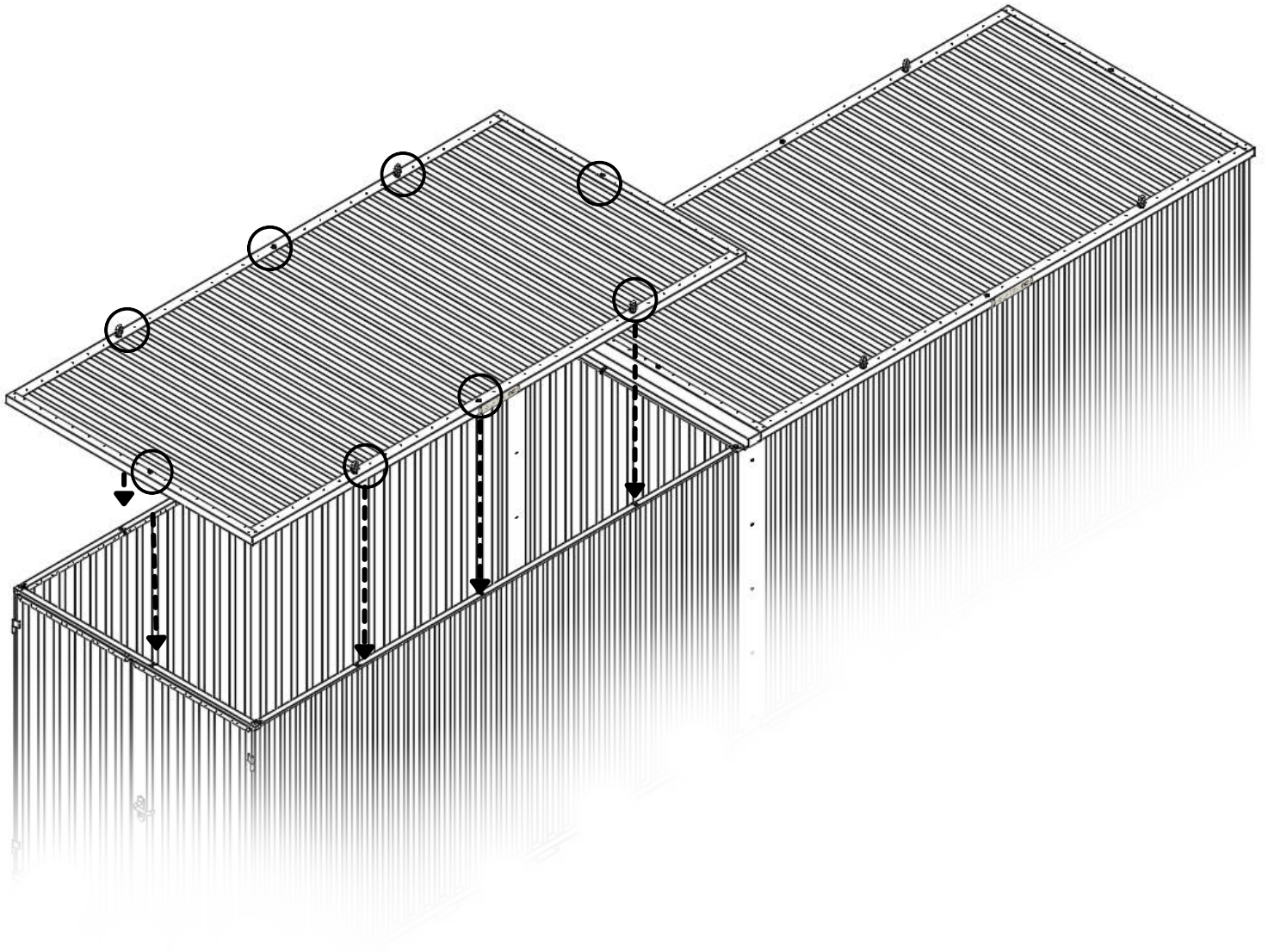
| | | | | | | | | |
|---|--|---|---|--|--|---|---|---|
|  830 KG |  1640 MM | Model Code: 4040.110.330.331 Production Tracking Code:/X09.1.4040.330.331 |  9001 |  14001 |  50001 |  |  |  |
|---|--|---|---|--|--|---|---|---|



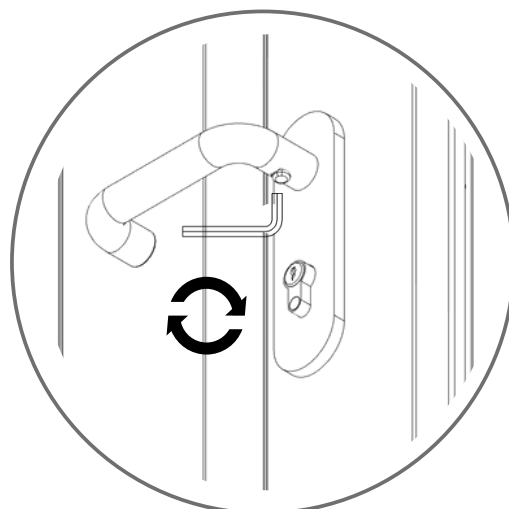
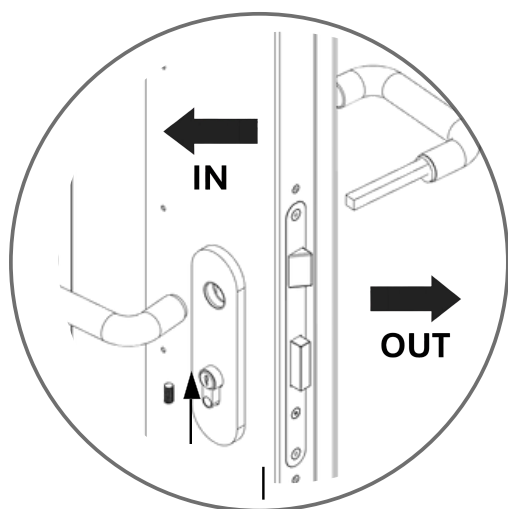
12



13



14



15

