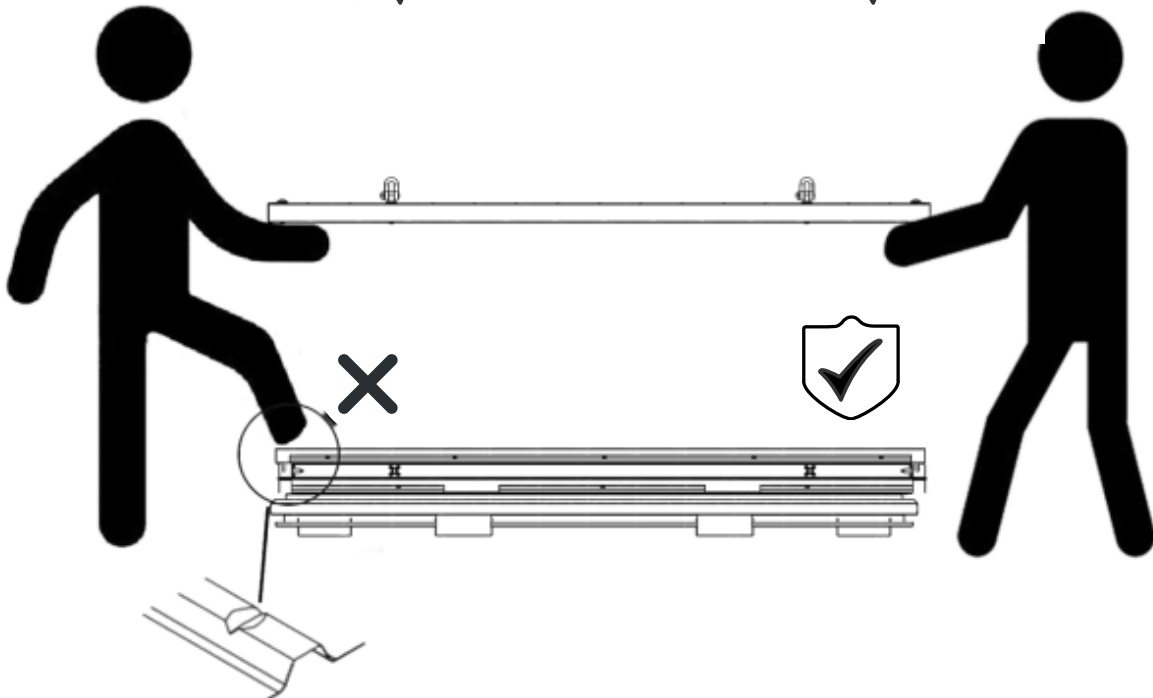
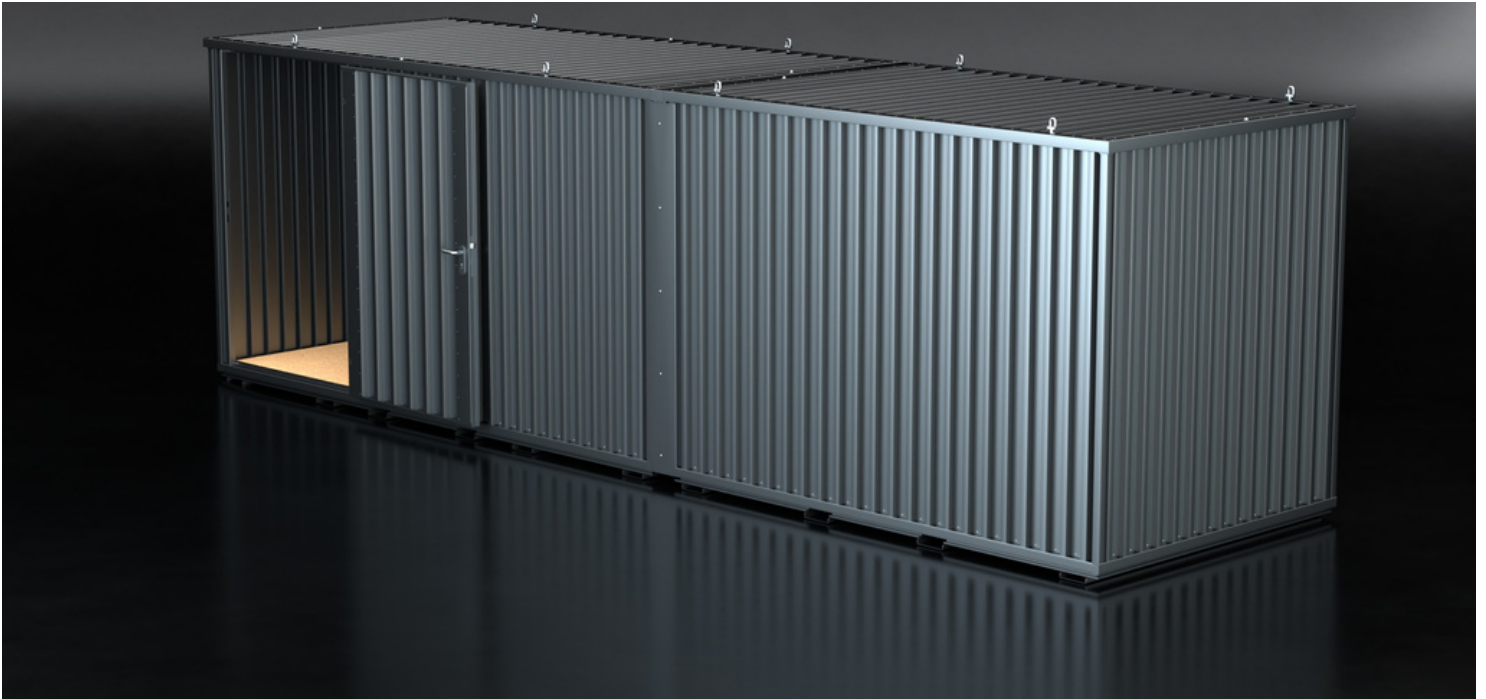


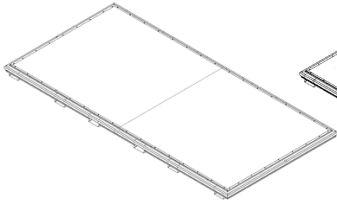
PRODUCT CODE:4030.110.450

**prefabase**  
Quick Build Solutions

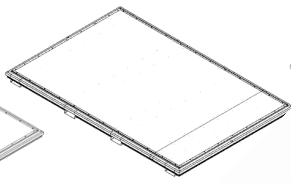
Instructions and User Guide



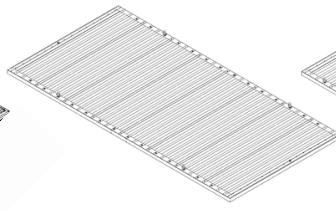
40.0110  
1x



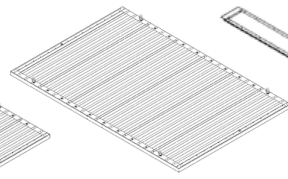
30.0110  
1x



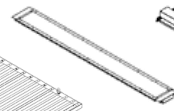
40.0510  
1x



30.0510  
1x



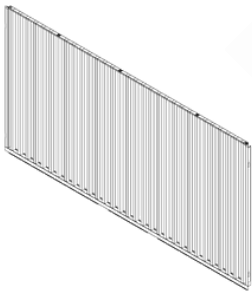
306.0110  
1x



306.0510  
1x



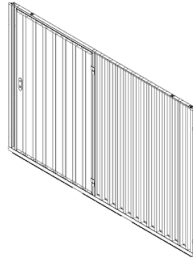
40.0410  
2x



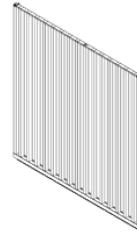
30.0410  
1x



30.0450  
1x



0310  
2x



306.40.05  
2x



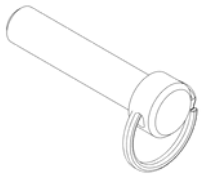
306.40.04  
2x



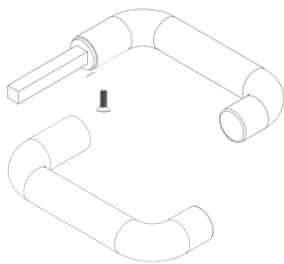
61.101  
4x



22x



1x



10x



10x



10x



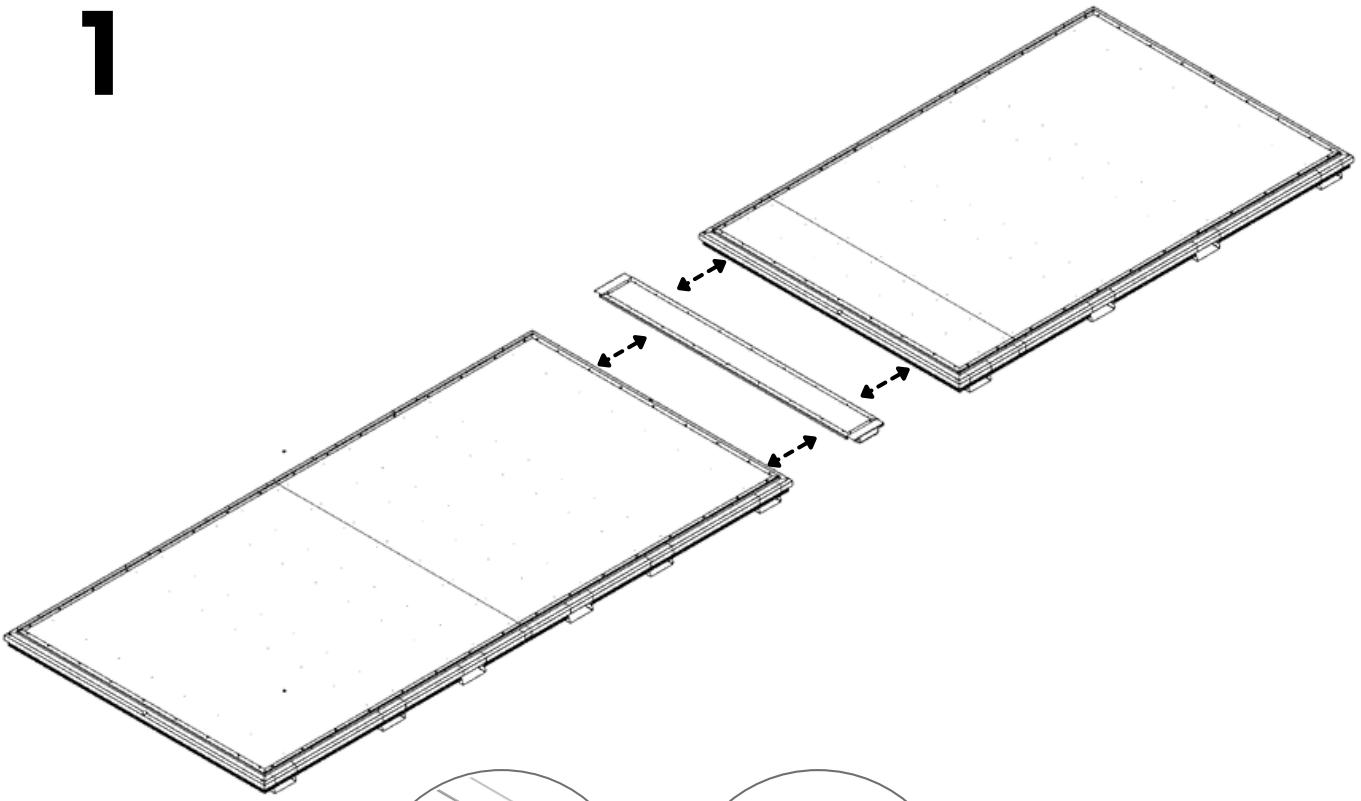
1x



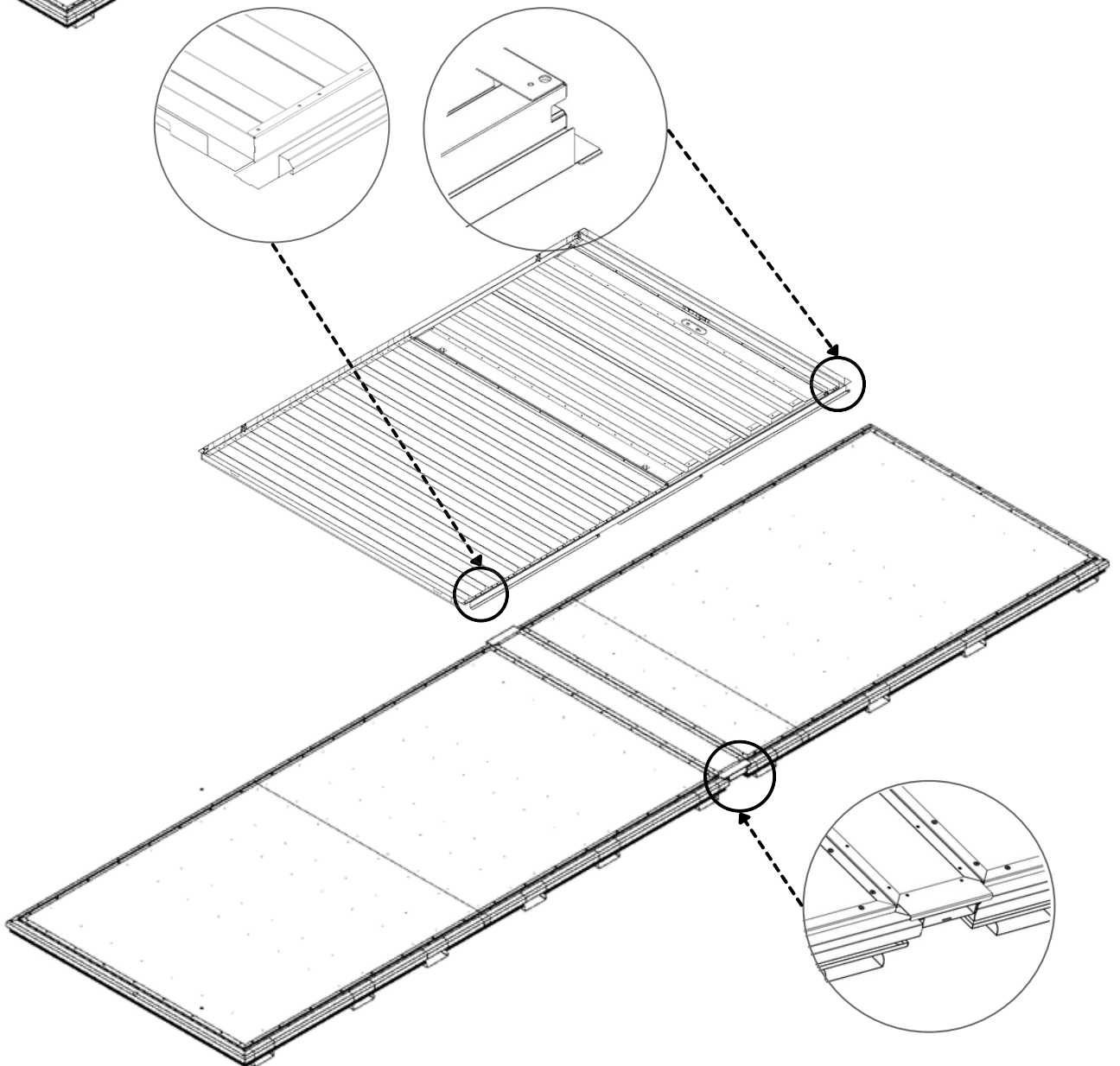
1x

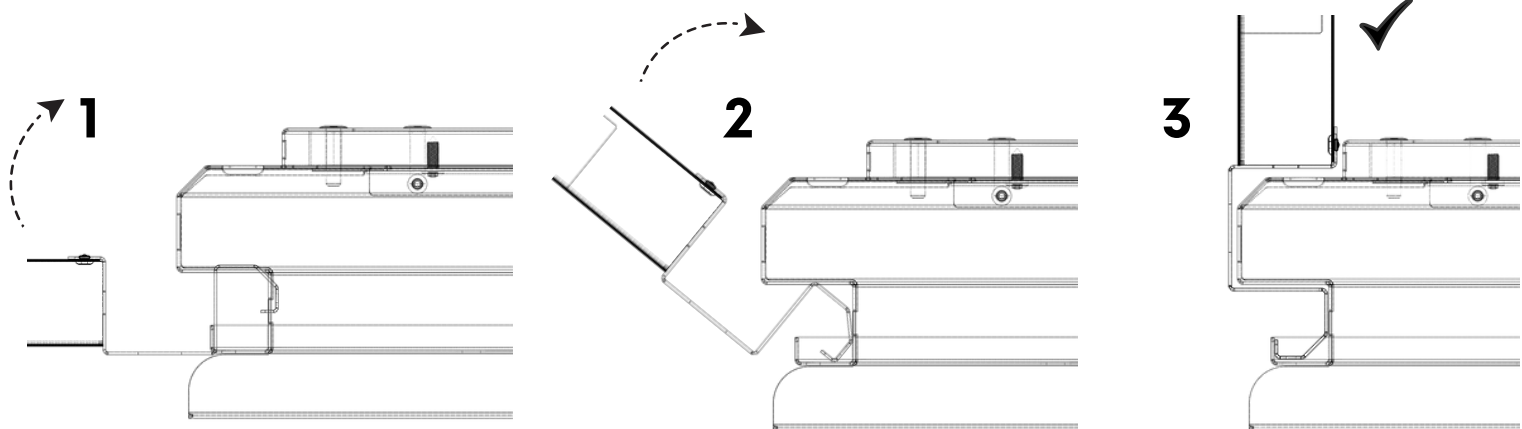


**1**

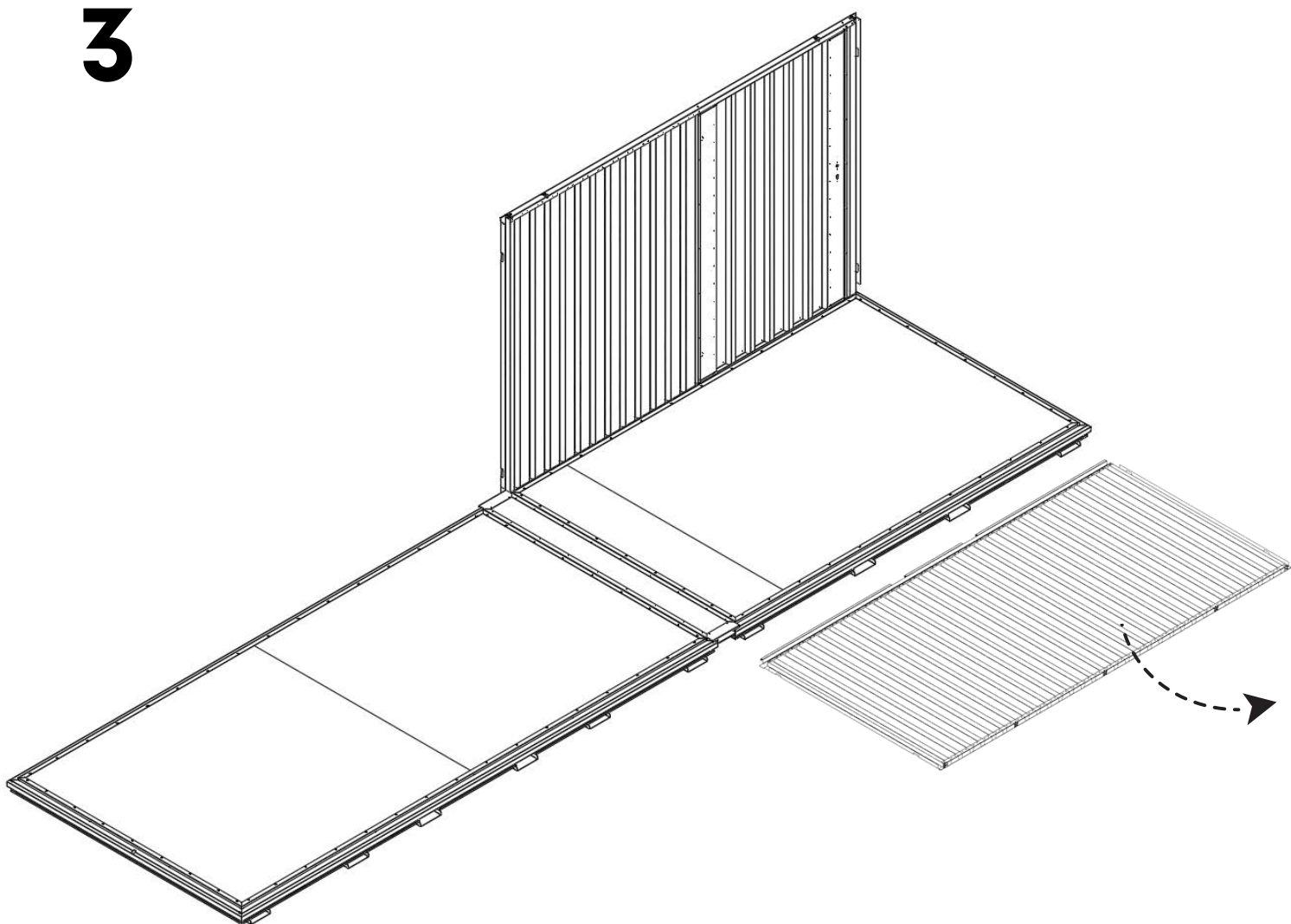


**2**

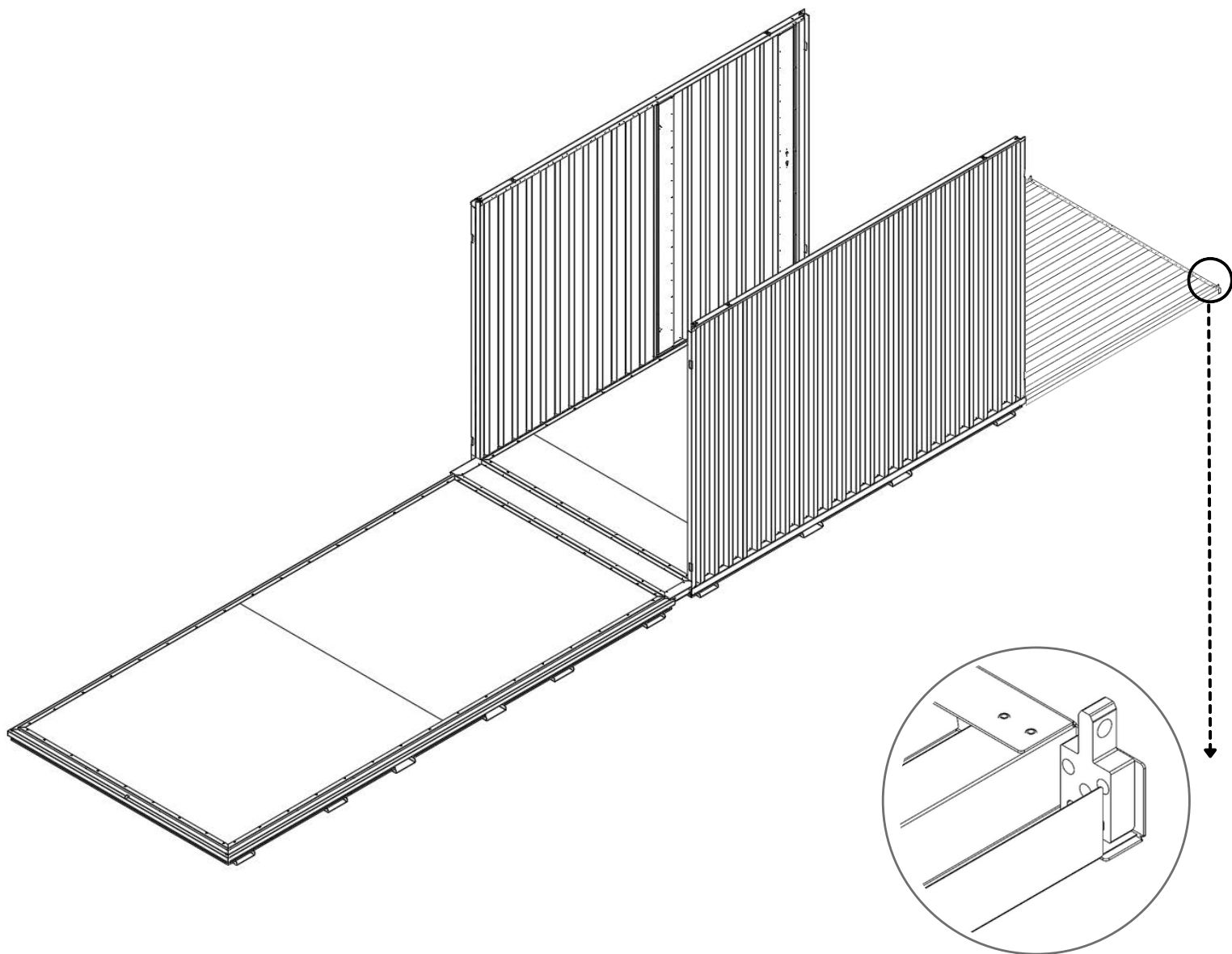




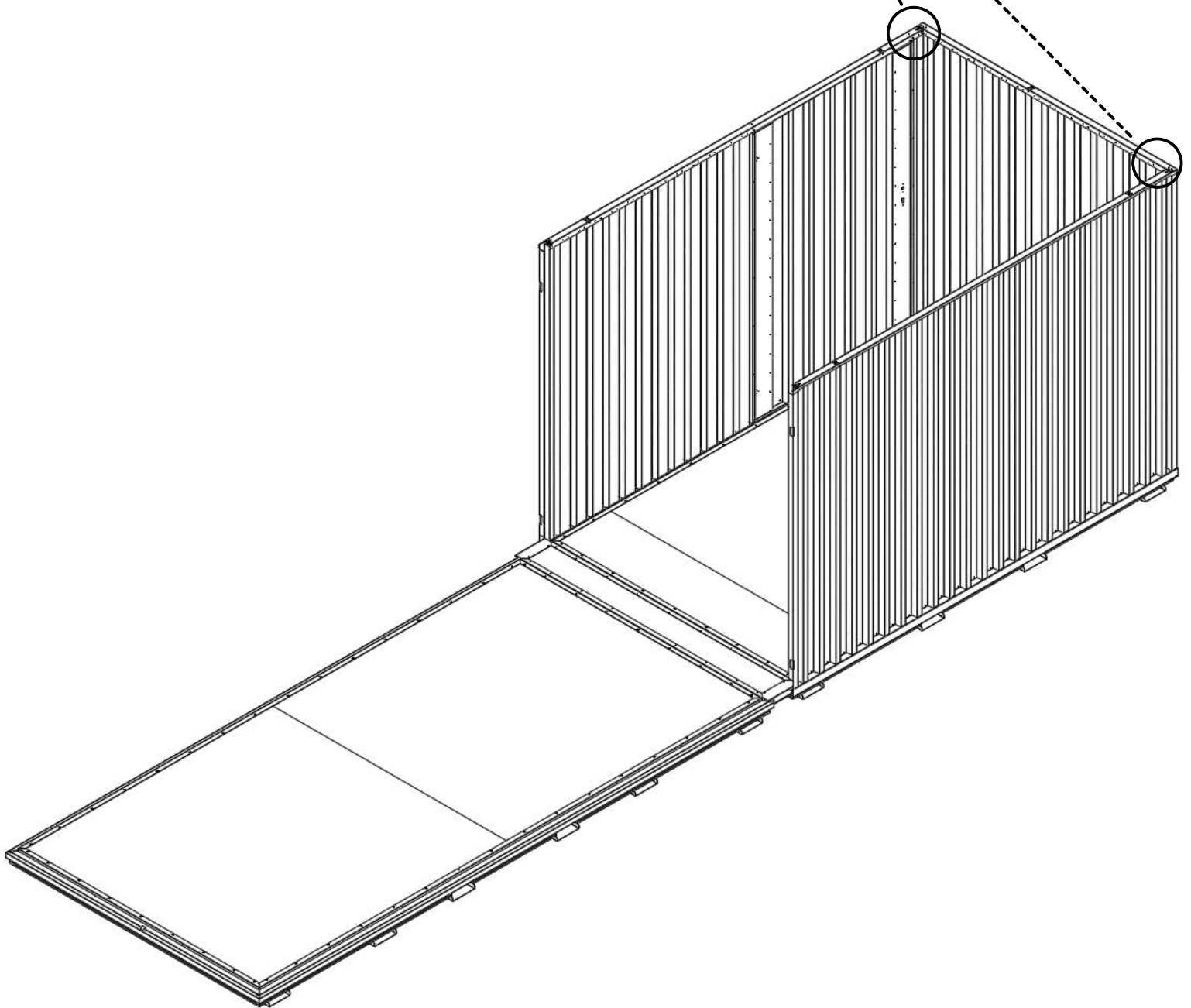
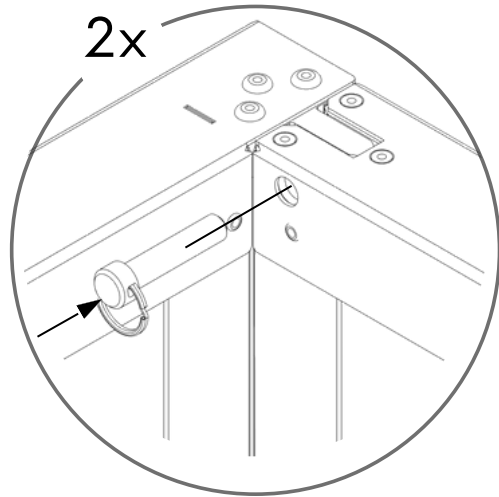
3



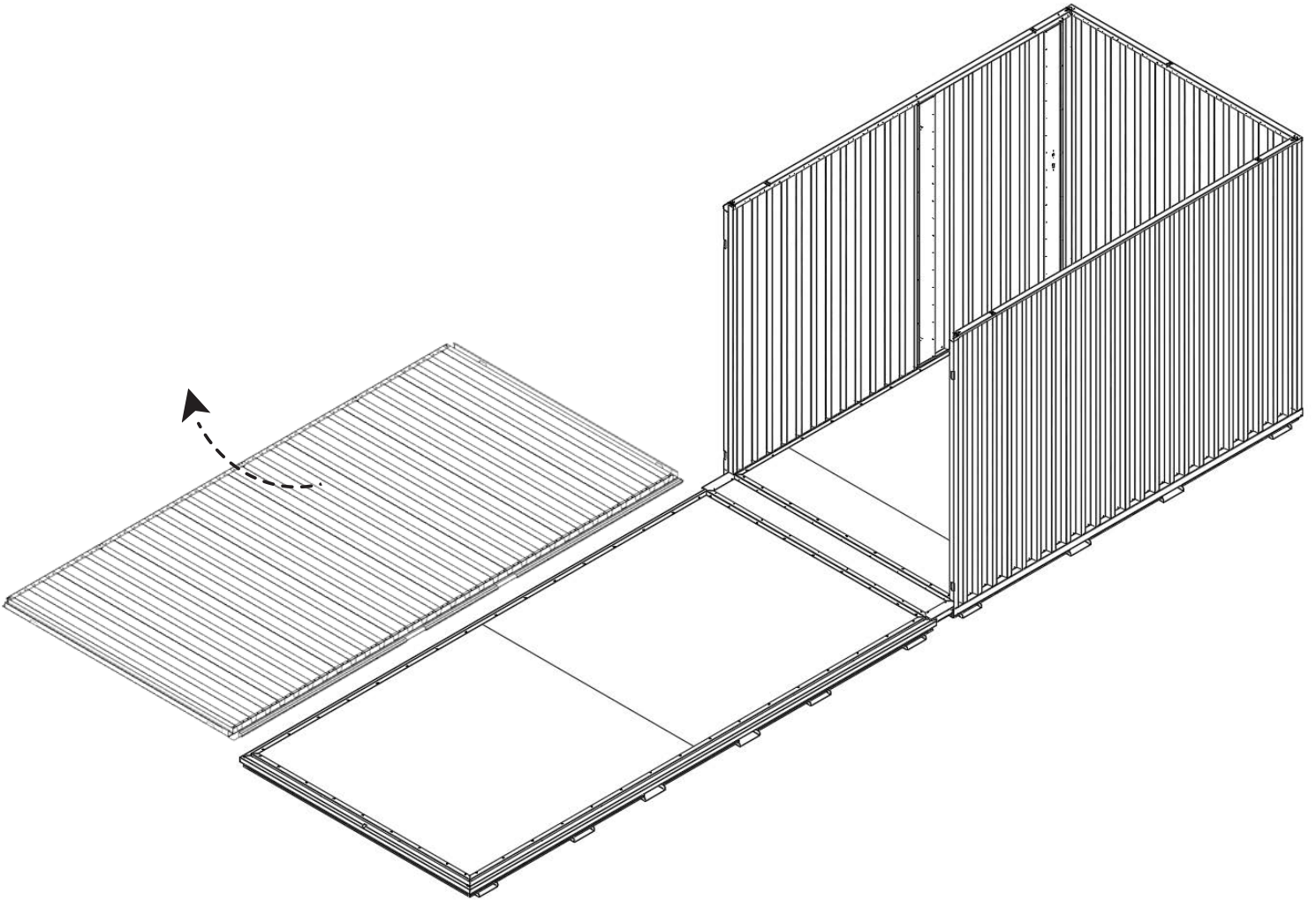
4



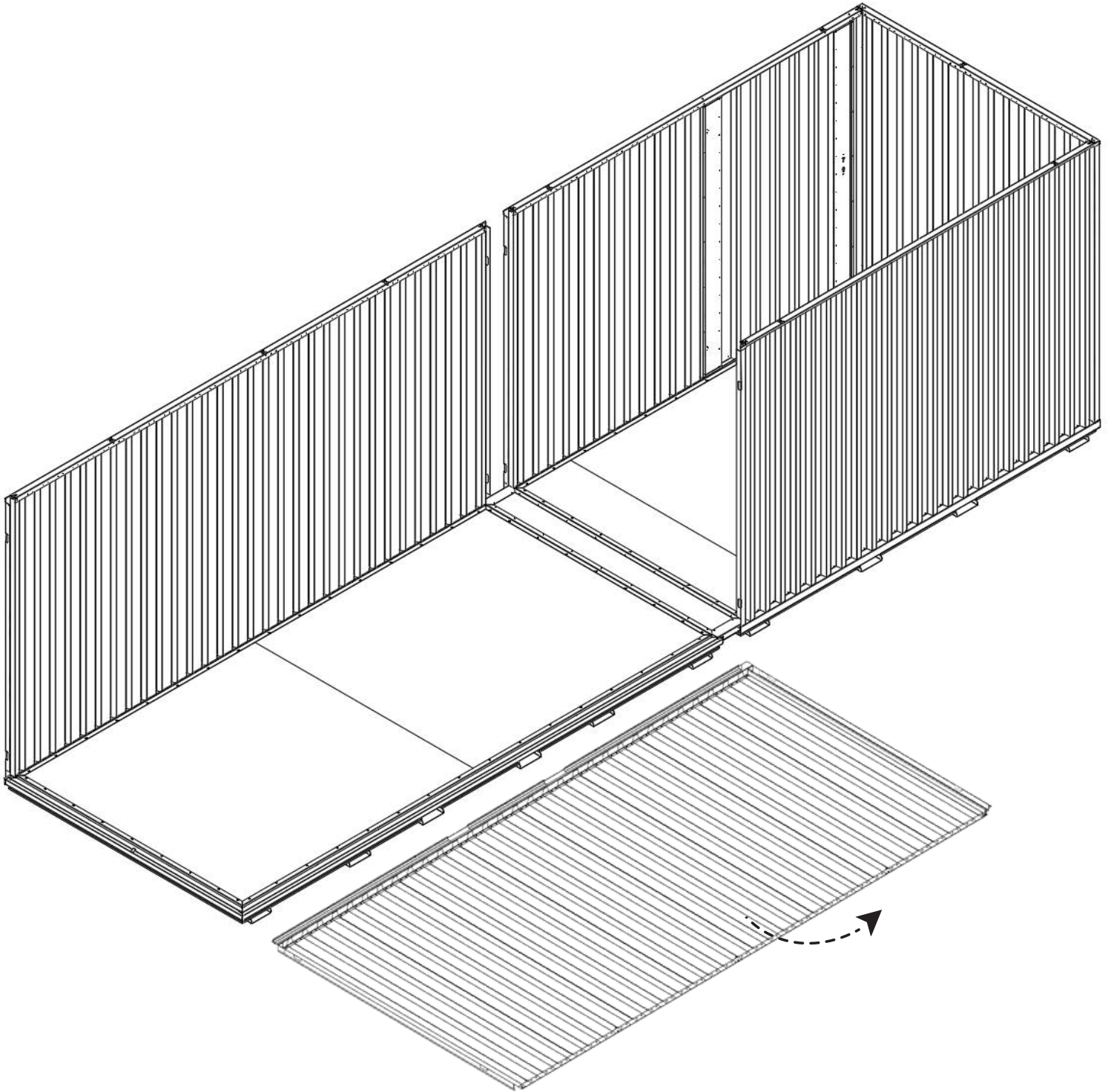
# 4.1



5

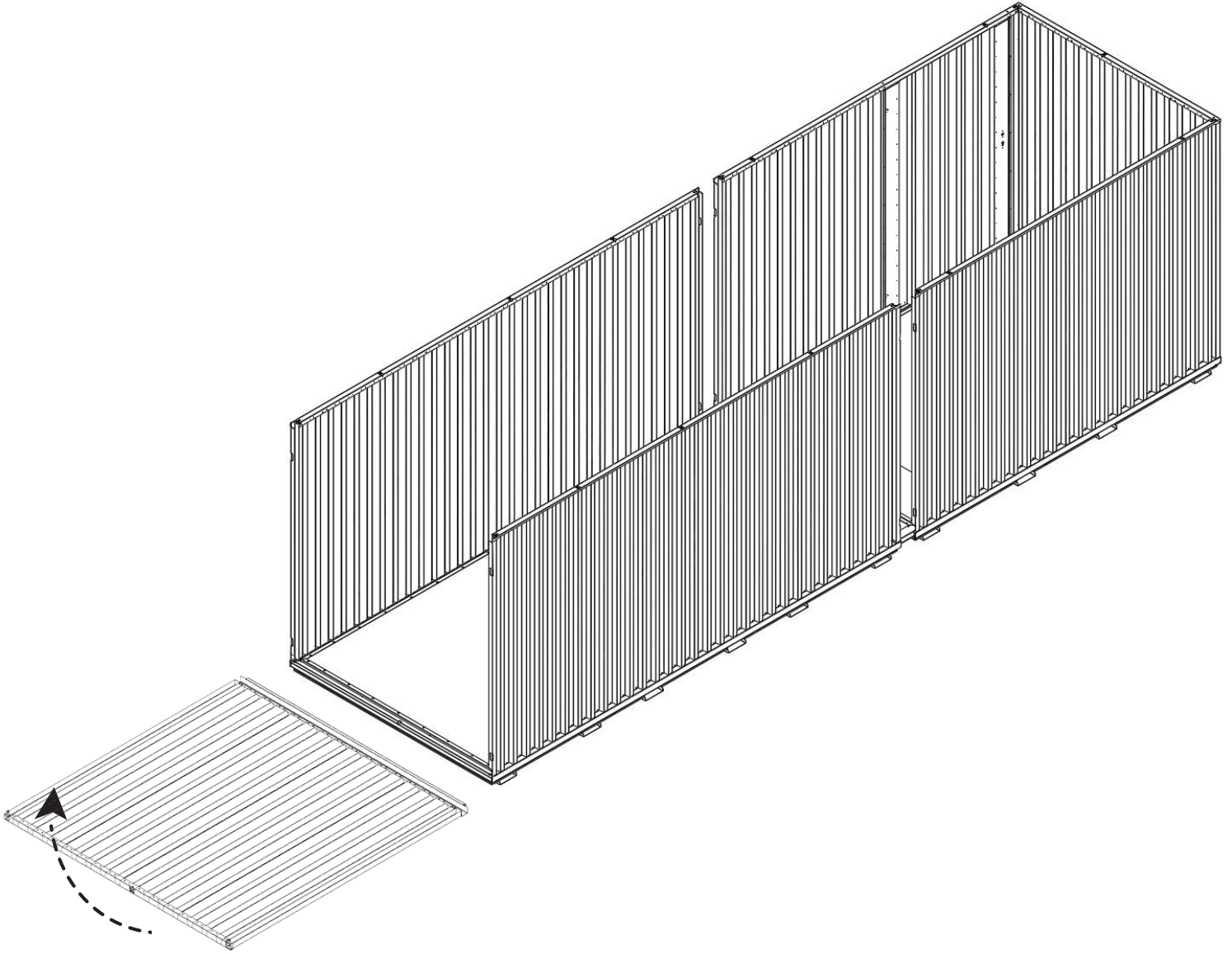


6

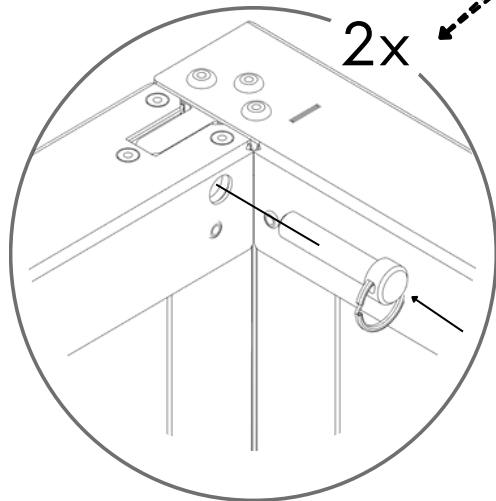
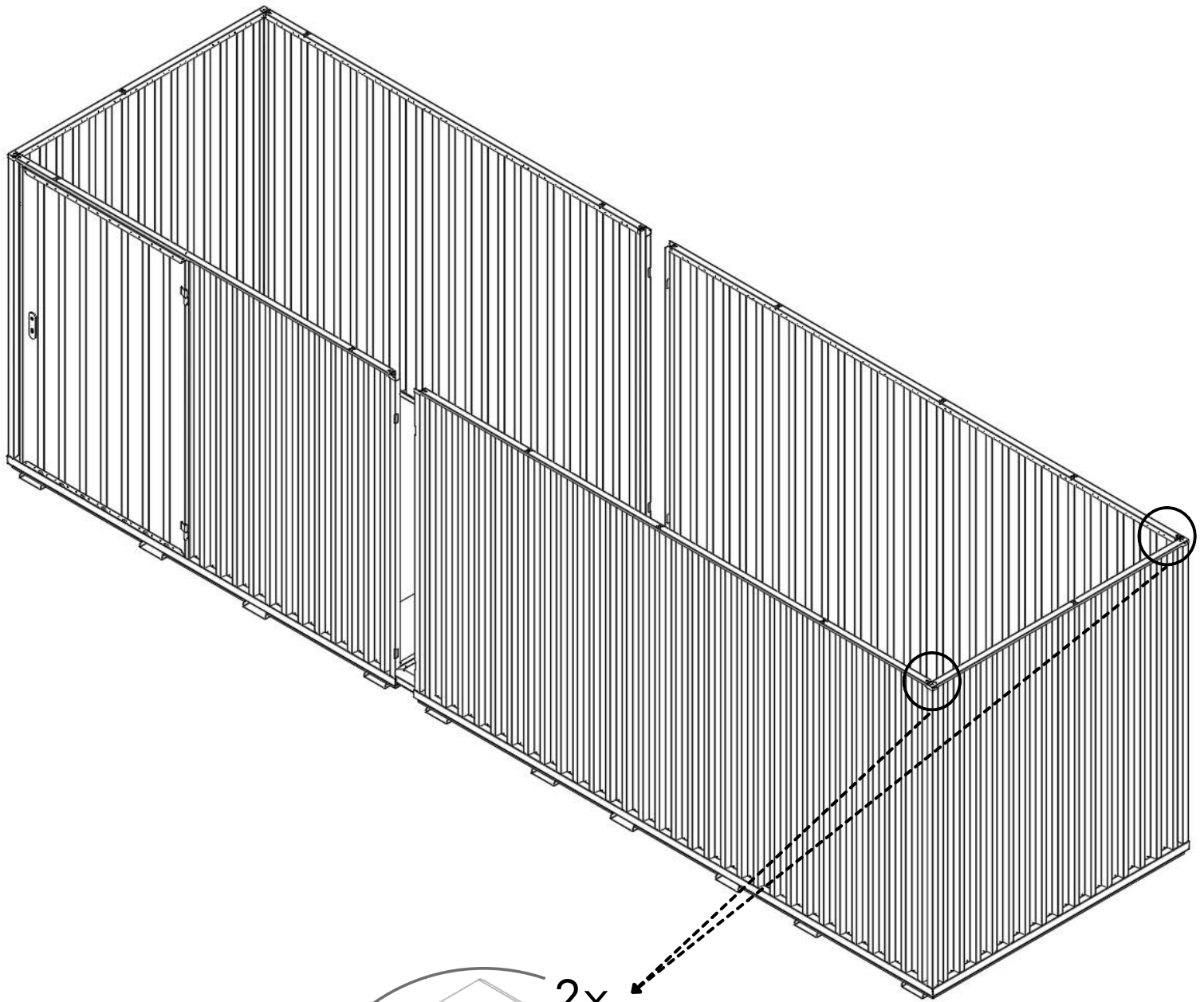




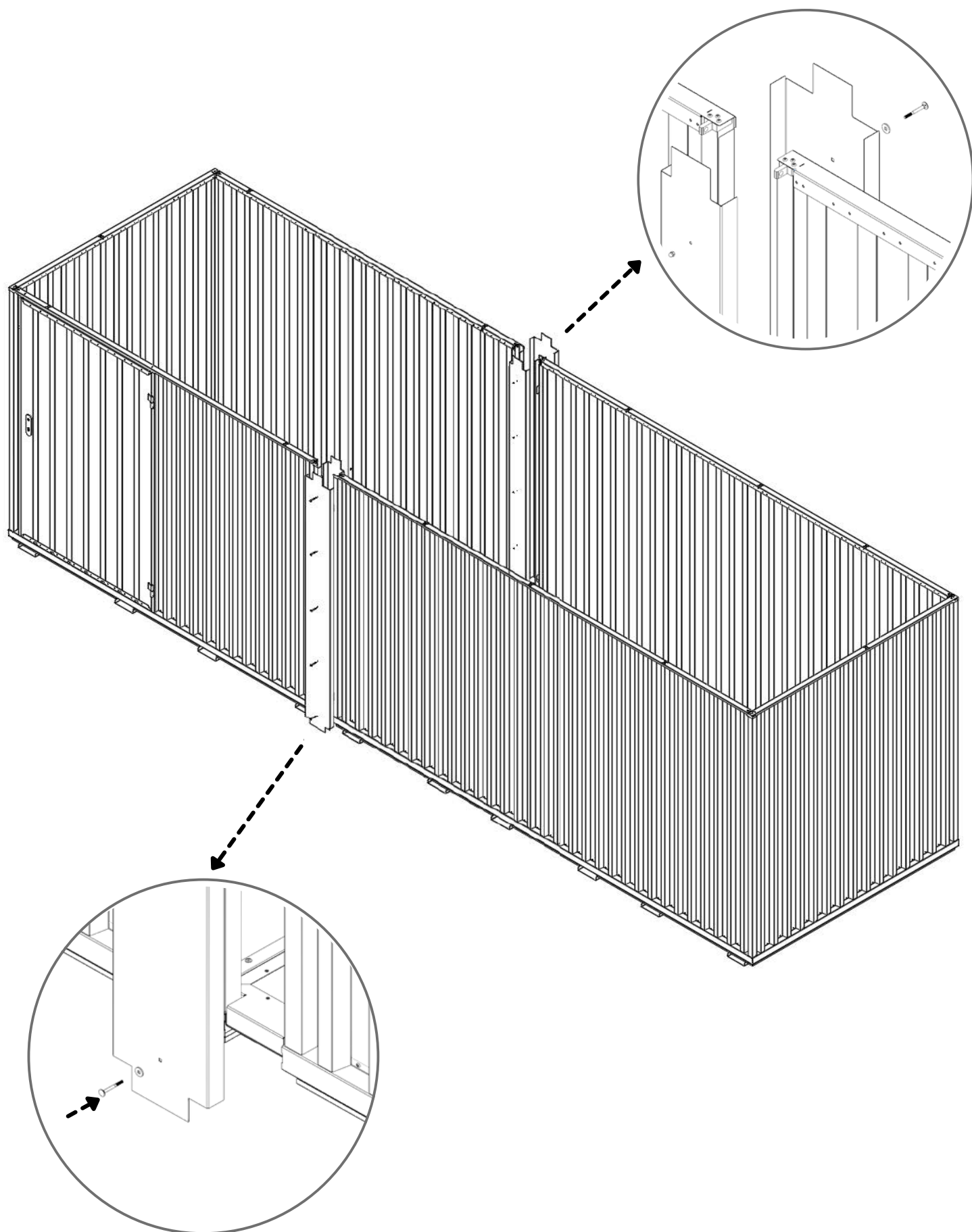
7



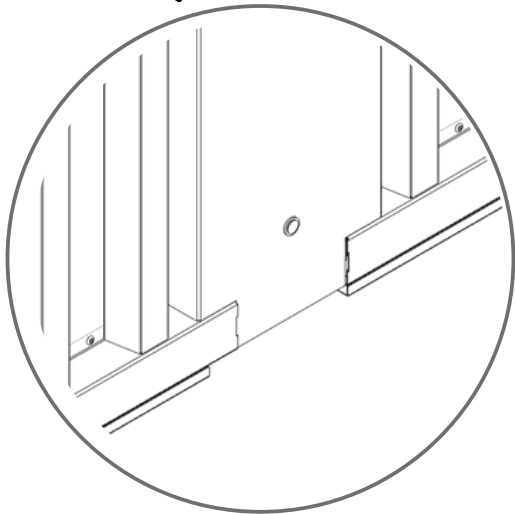
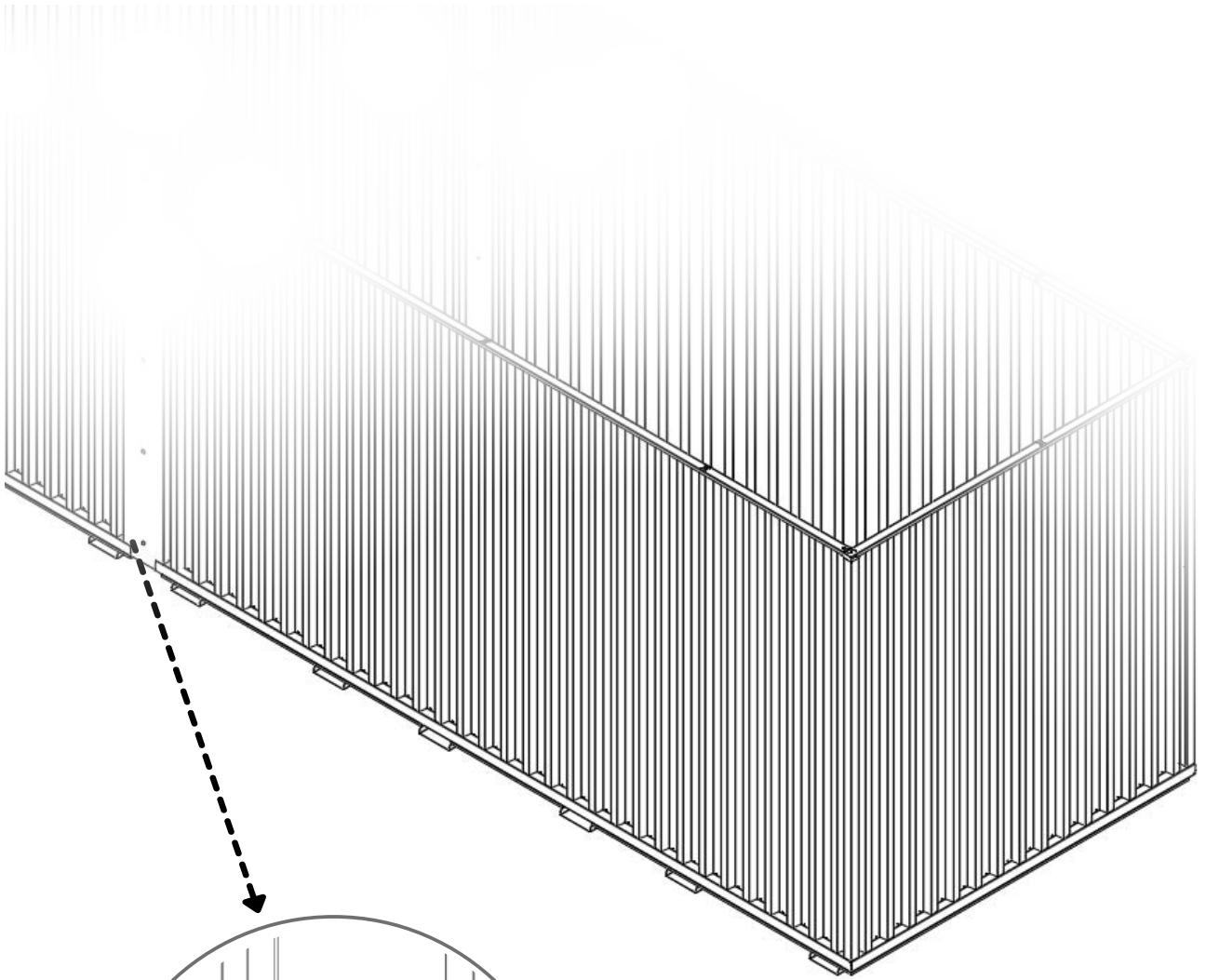
# 7.1



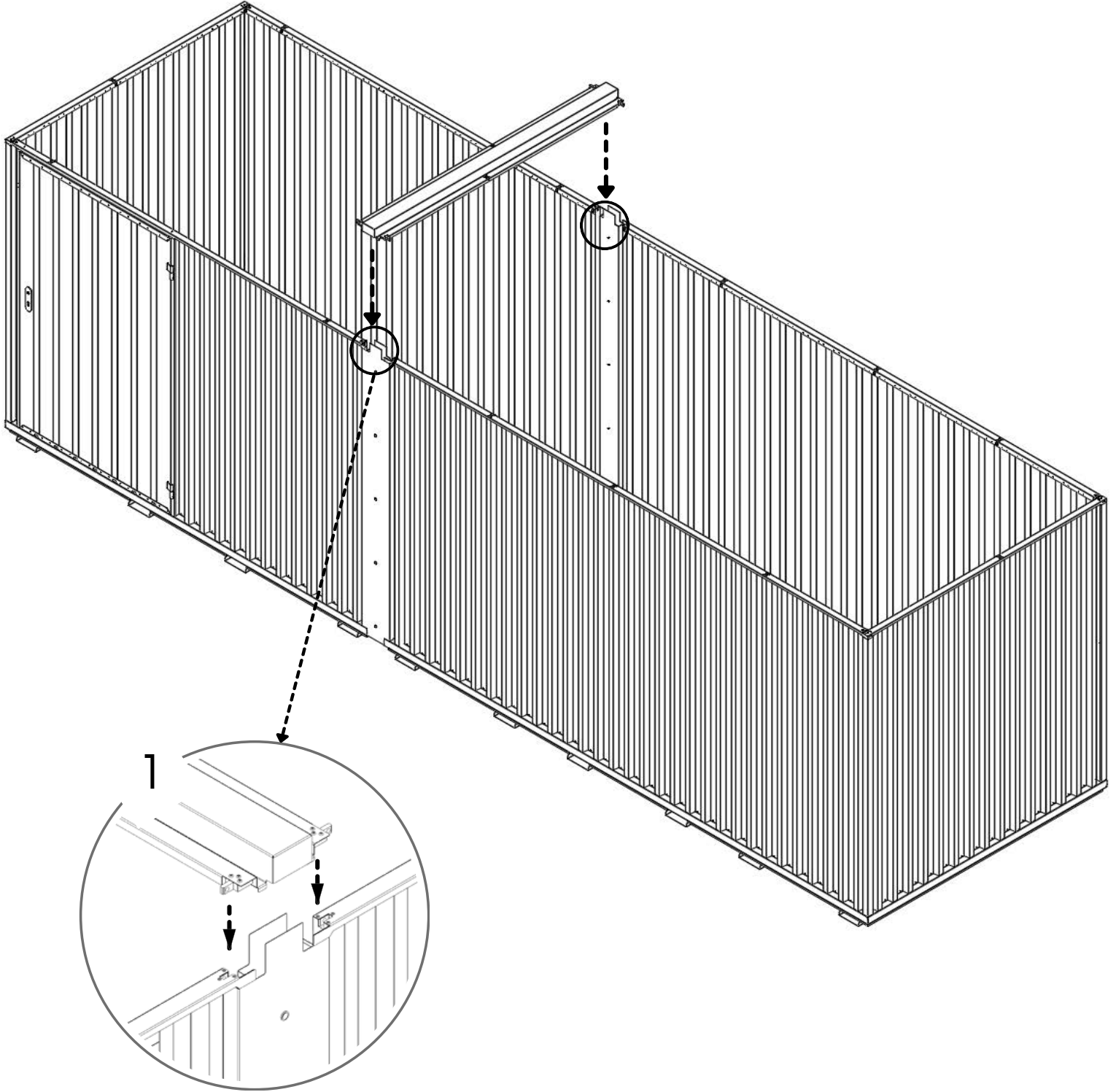
8



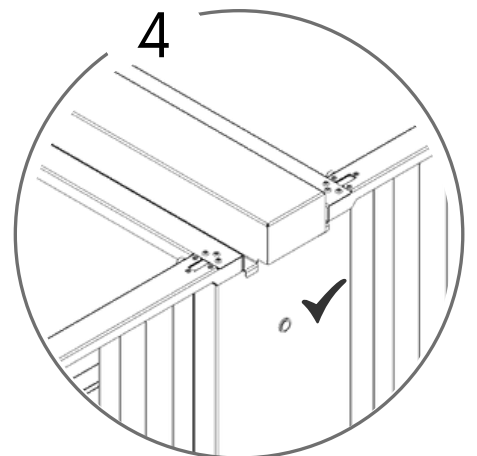
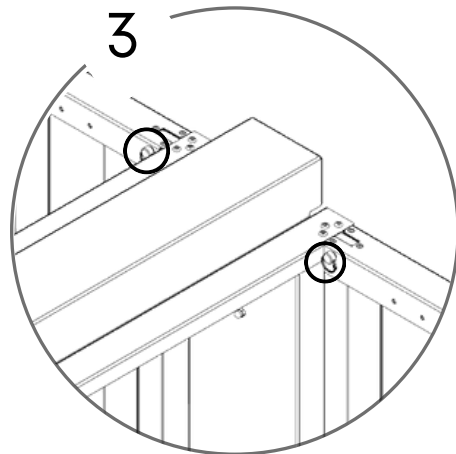
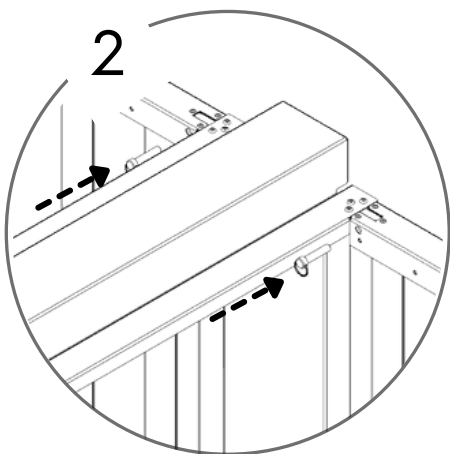
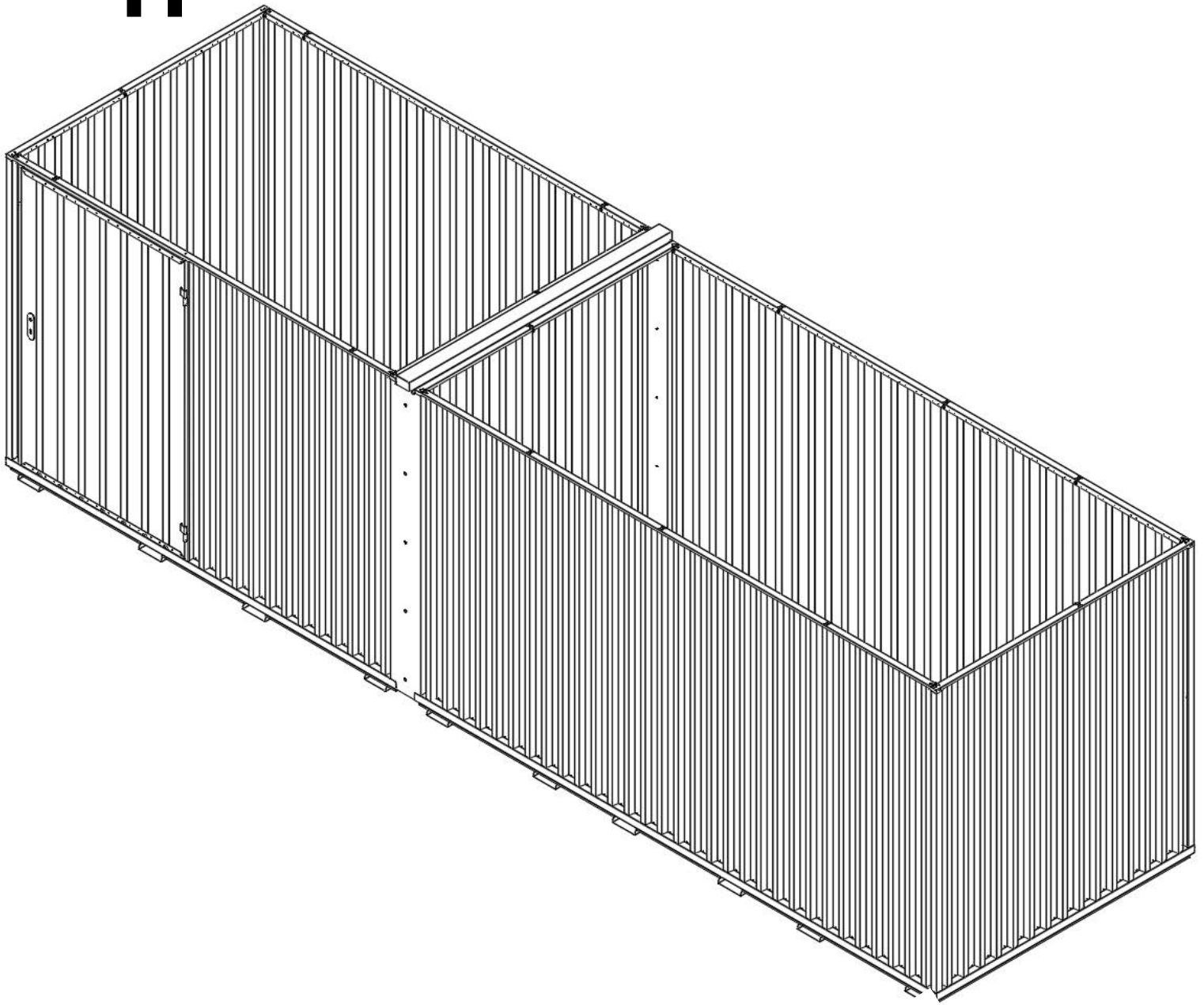
9











# 10

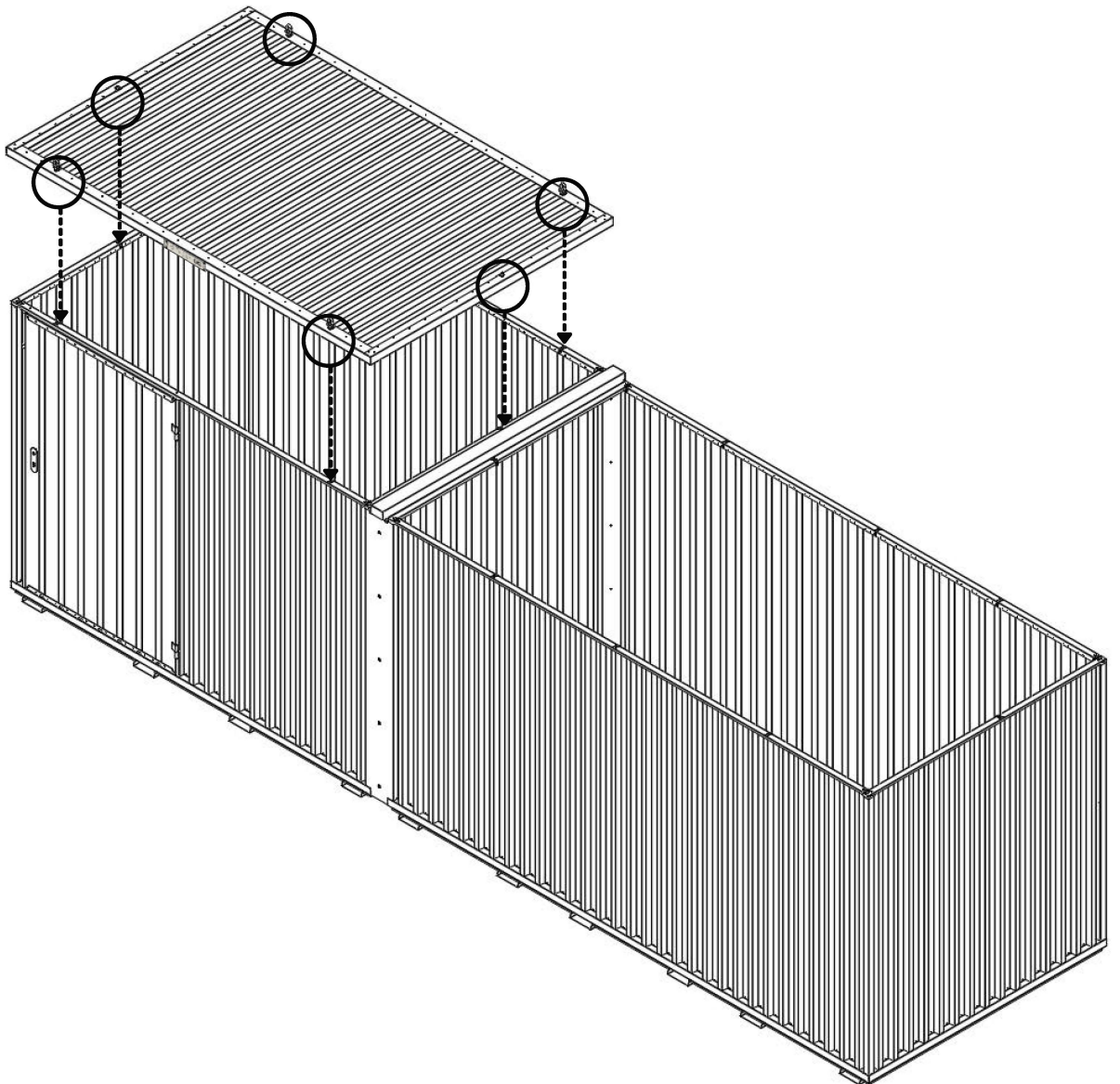
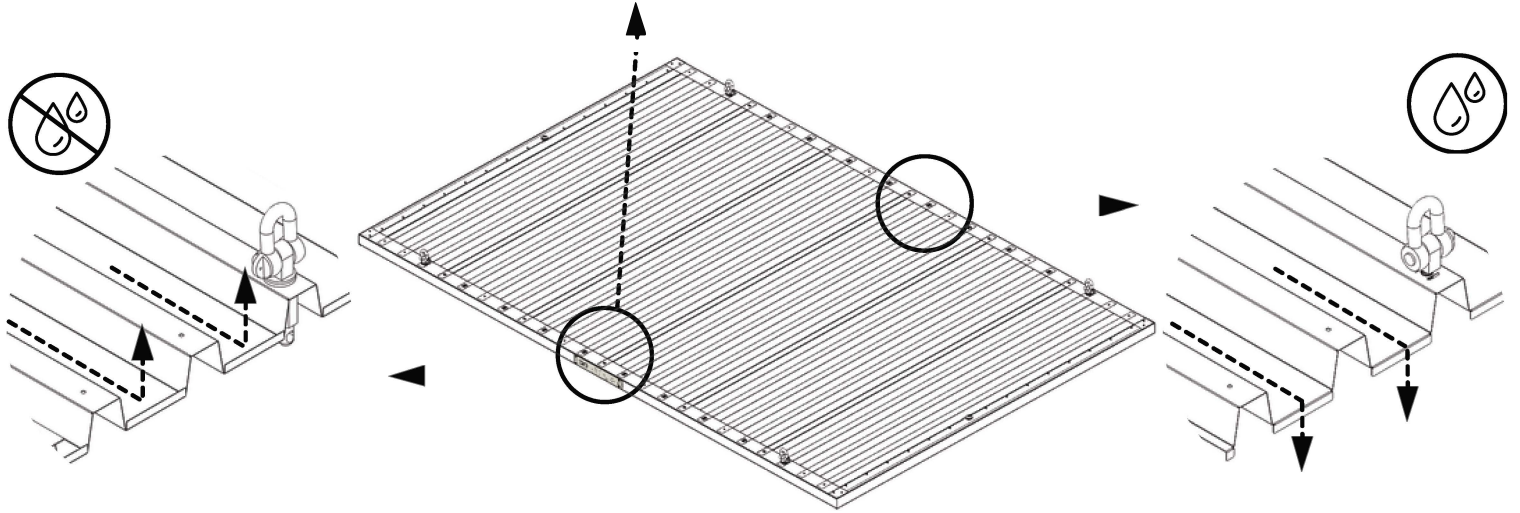


# 11

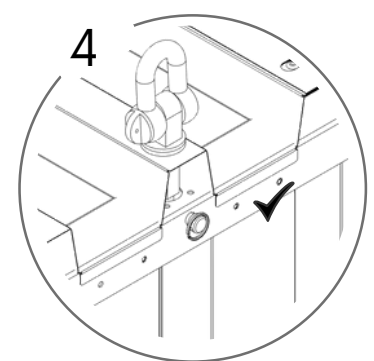
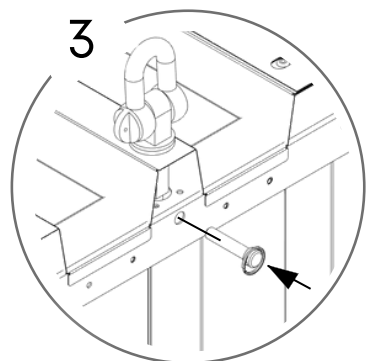
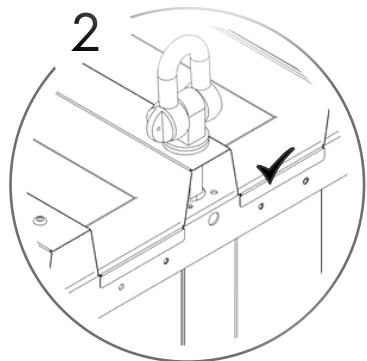
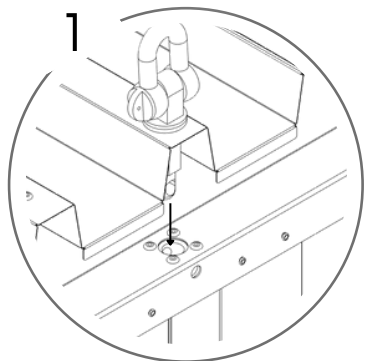
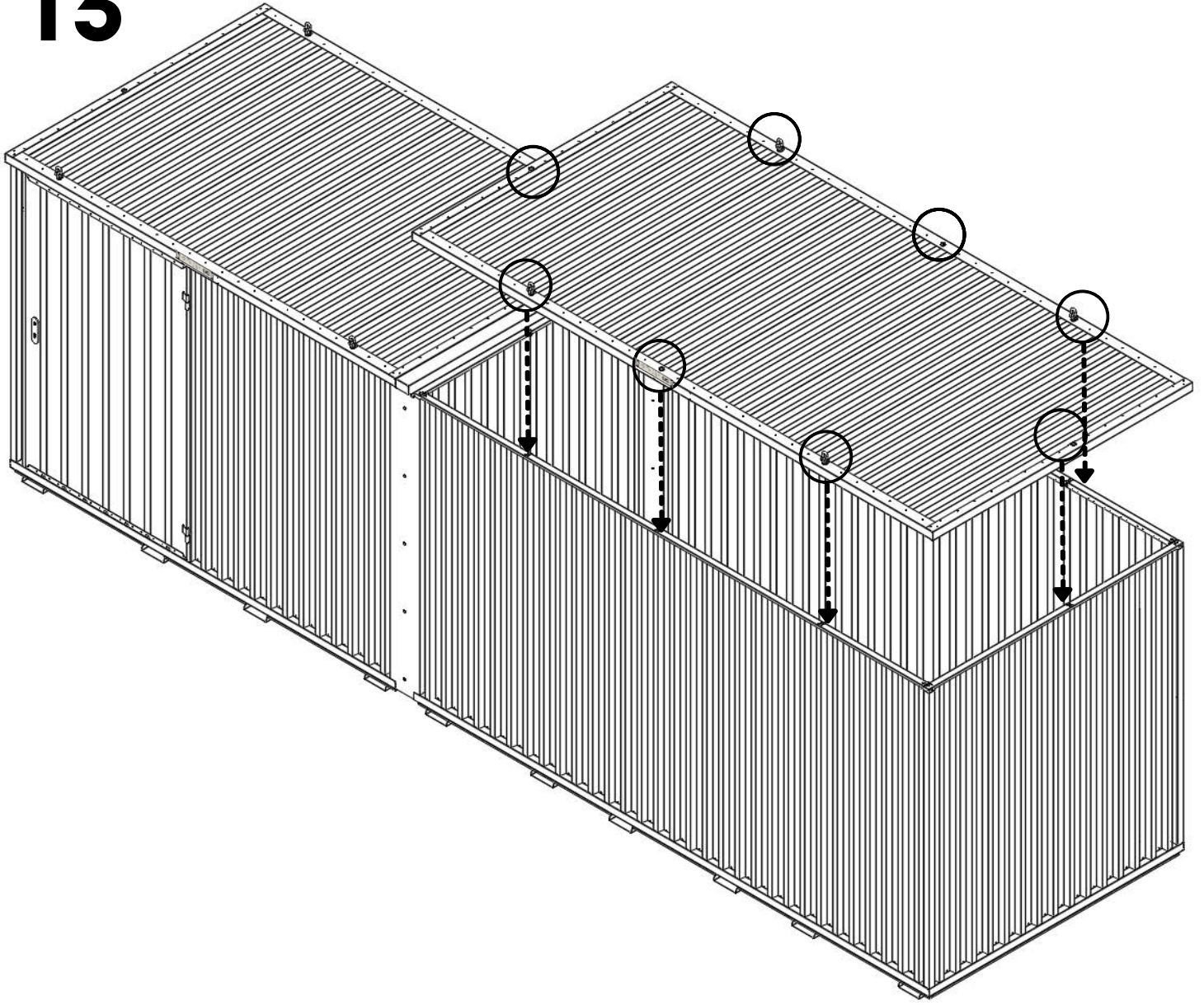




 713 KG	 1640 MM	Model Code: 4030.110.450 Production Tracking Code: ...../X09.1.4030.450	 9001	 14001	 50001			
---	--	---	---	--	--	---	---	---

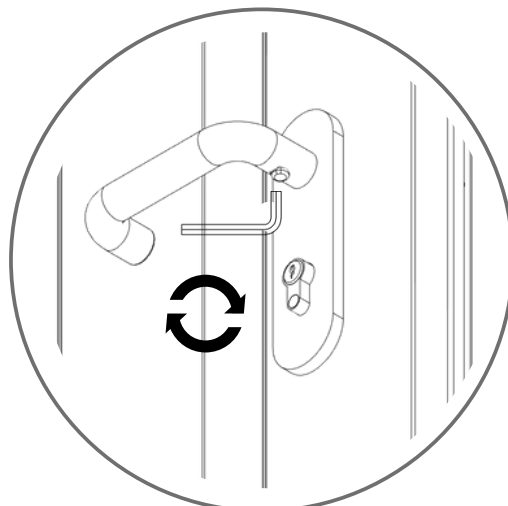
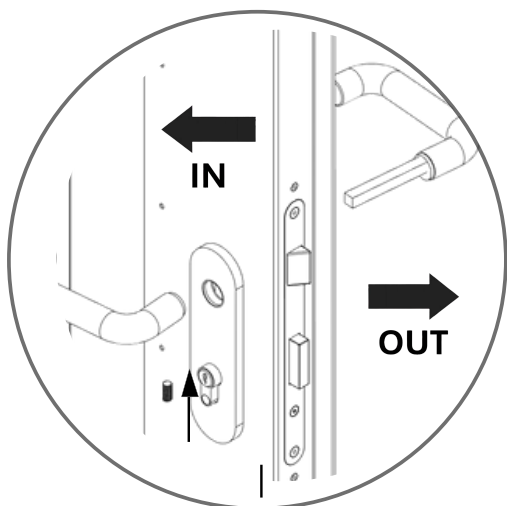
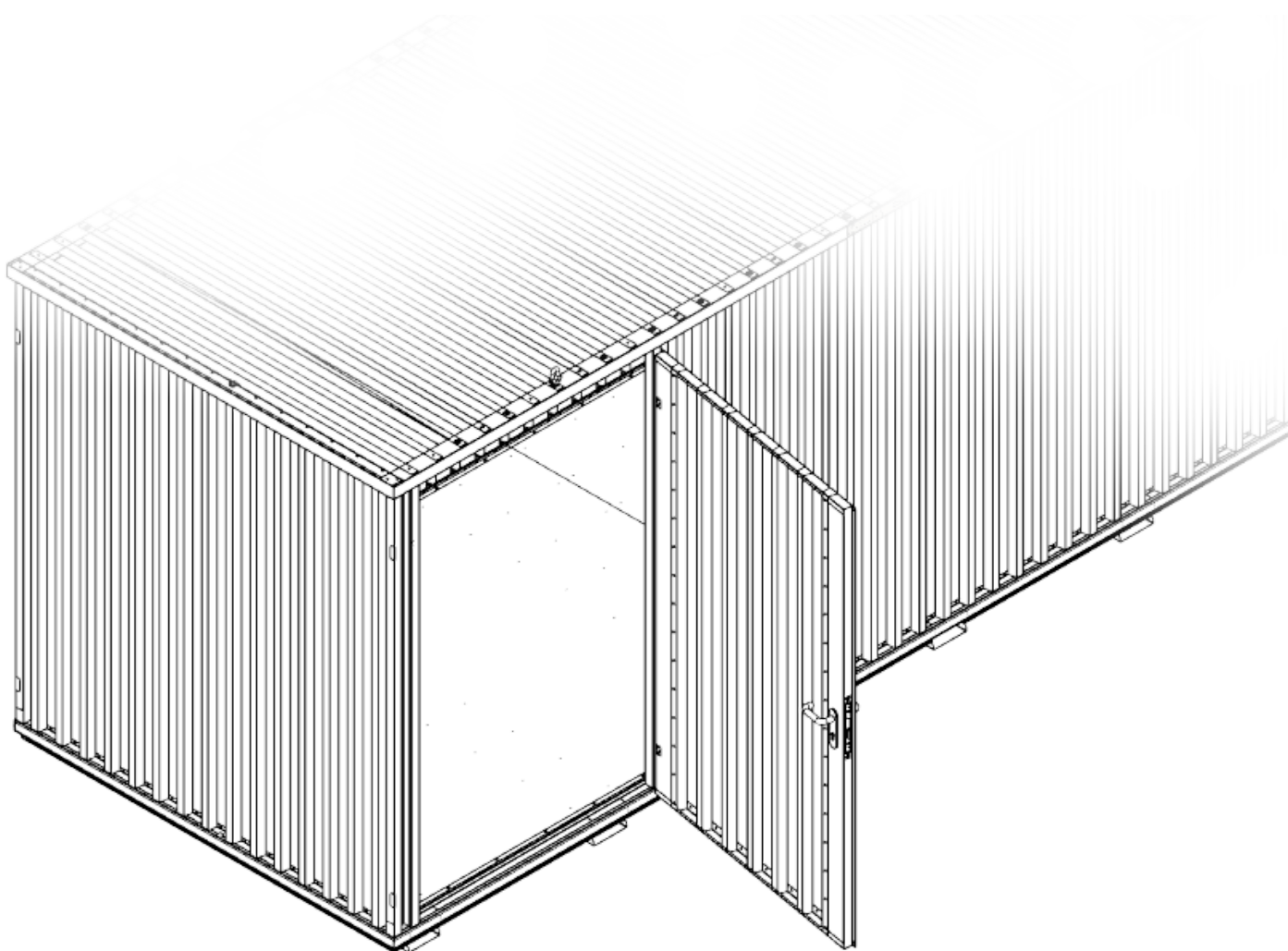


# 13





# 14



# 15

