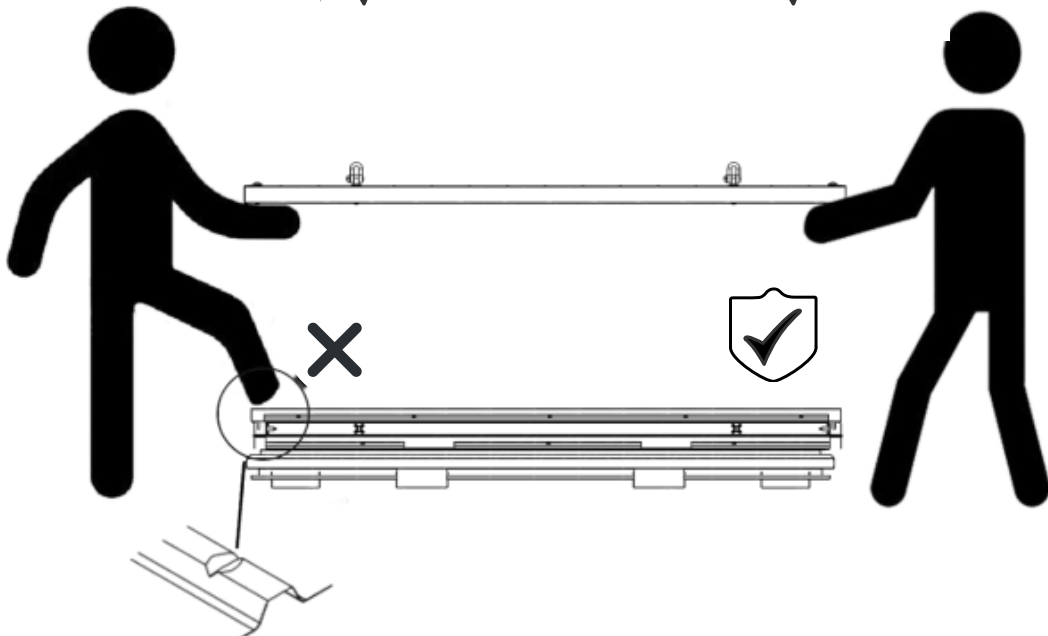
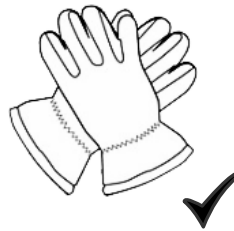
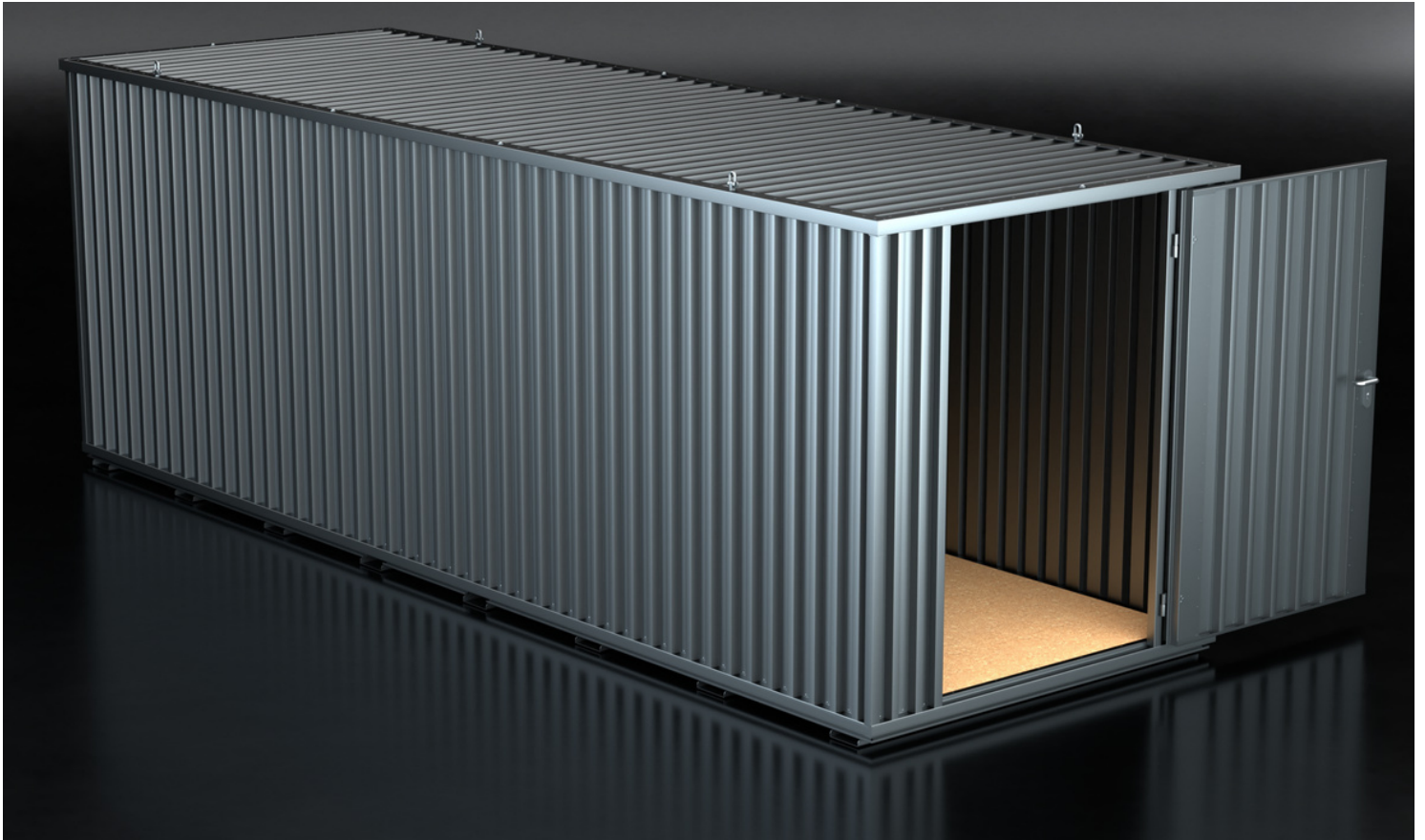


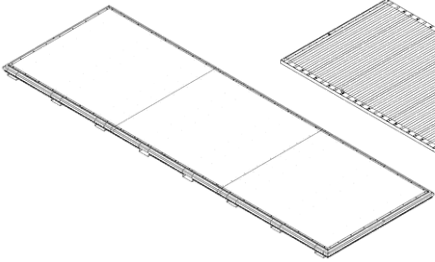
PRODUCT CODE:60.110.320

prefabase
Quick Build Solutions

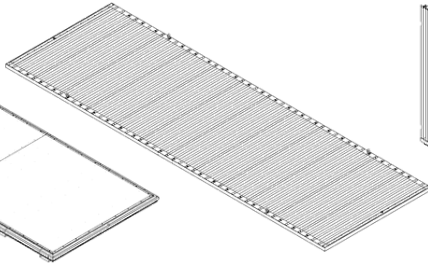
Instructions and User Guide



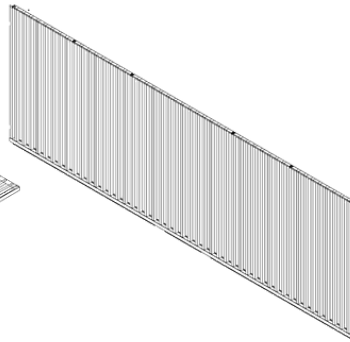
60.0110
1x



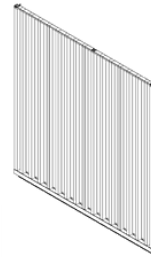
60.0510
1x



60.0410
2x



0310
1x



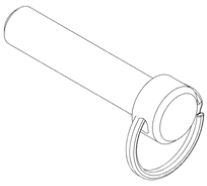
0320
1x



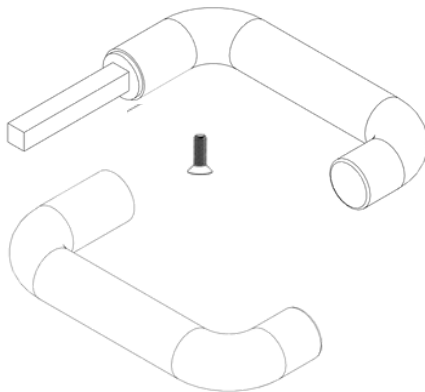
61.101
4x



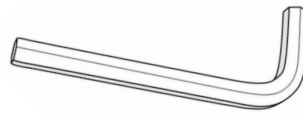
14x



1x



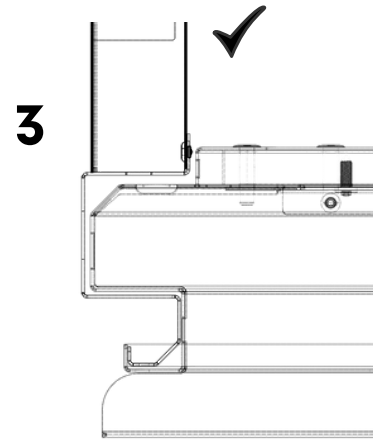
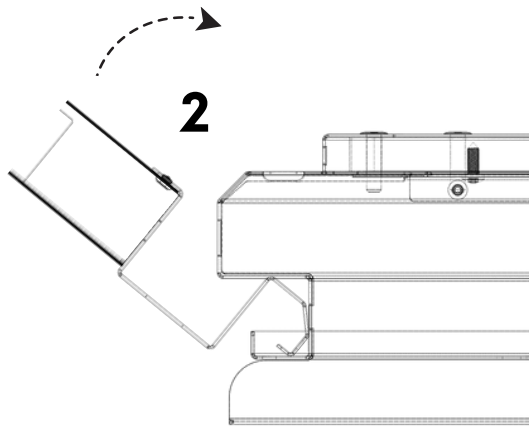
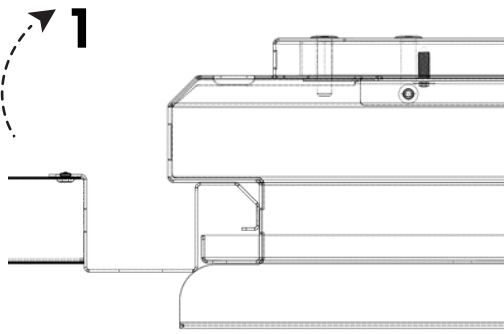
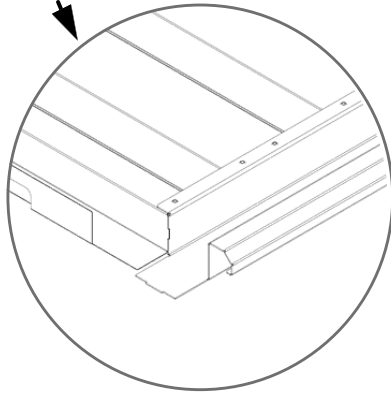
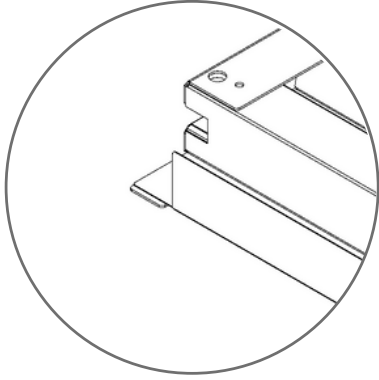
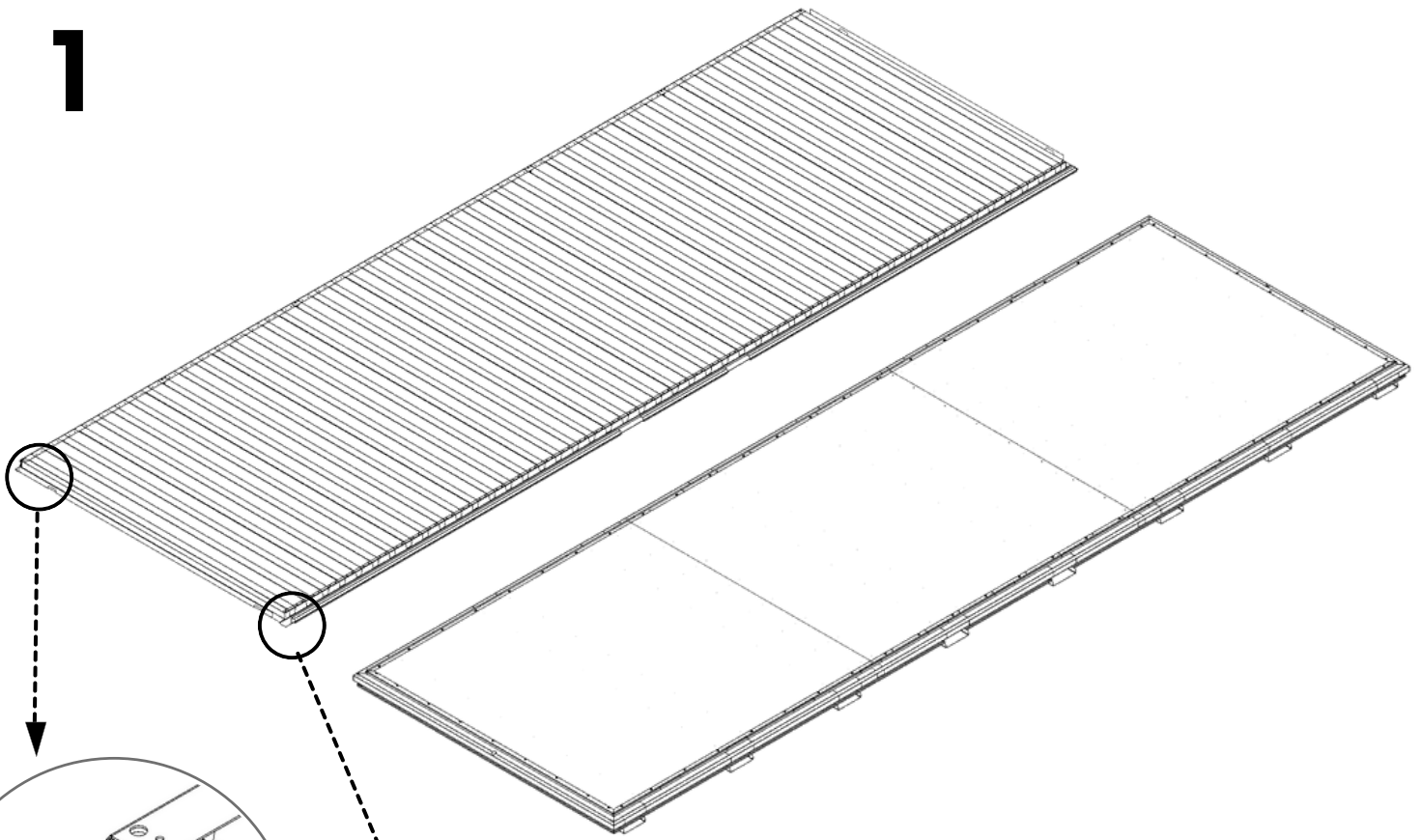
1x



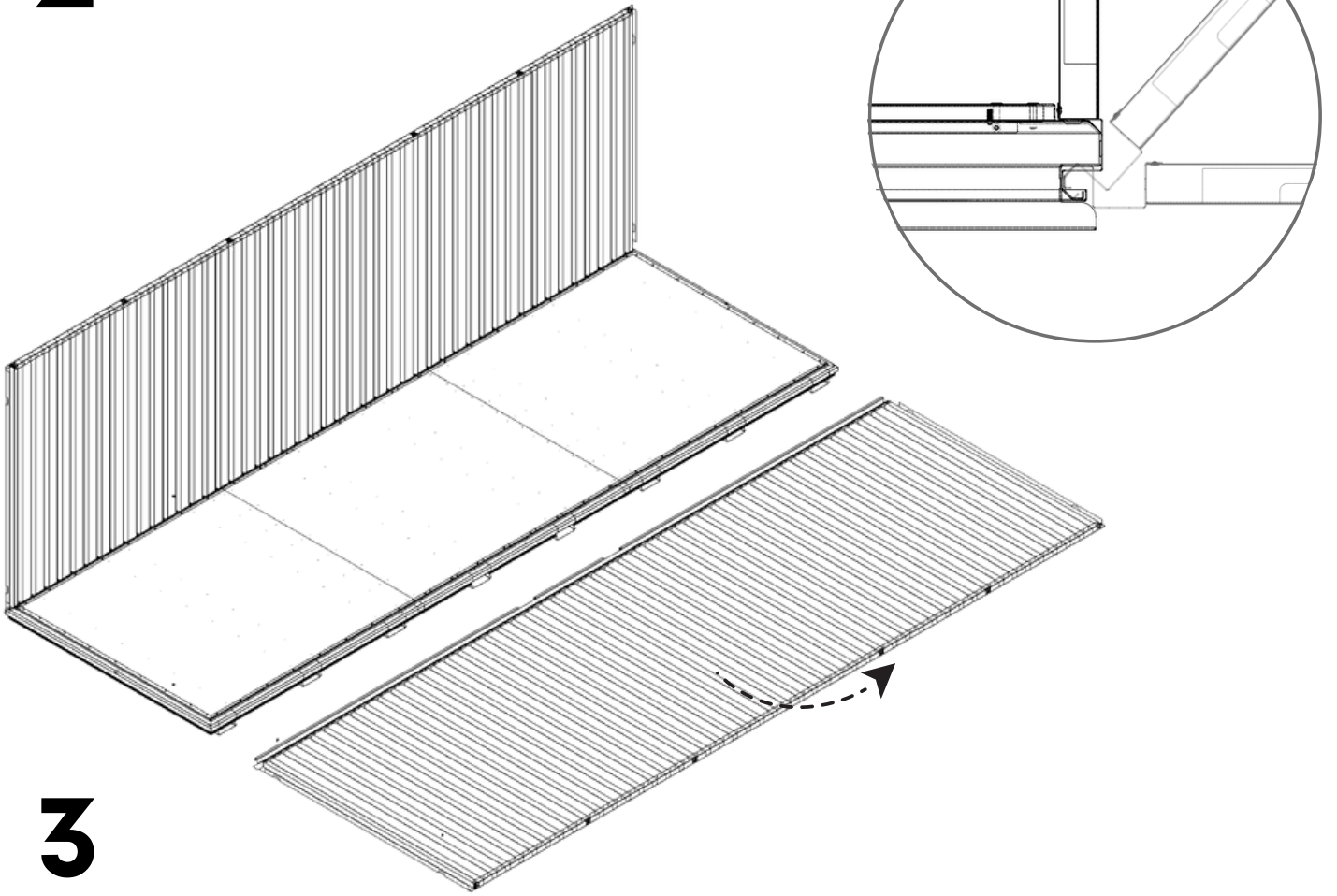
1x



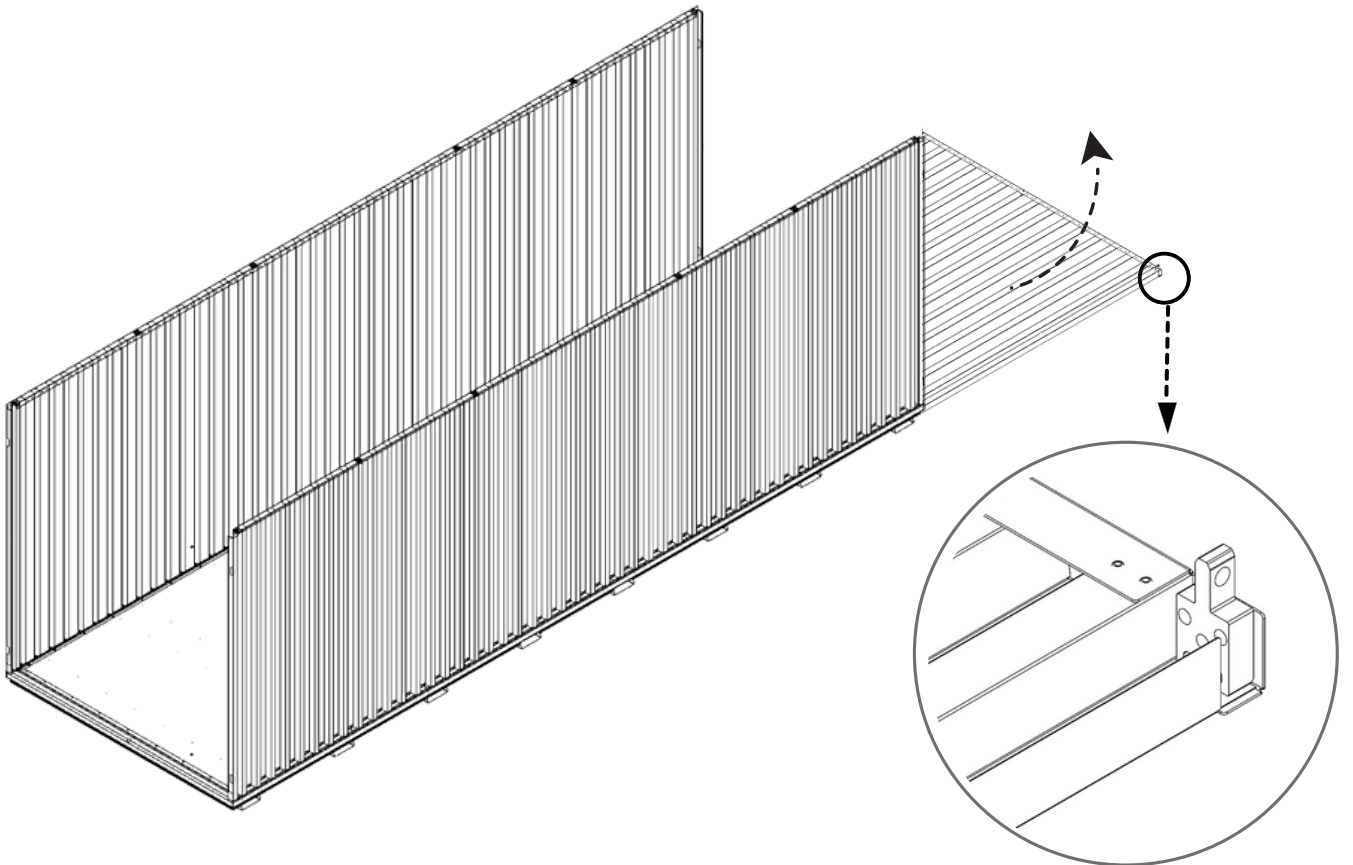
1



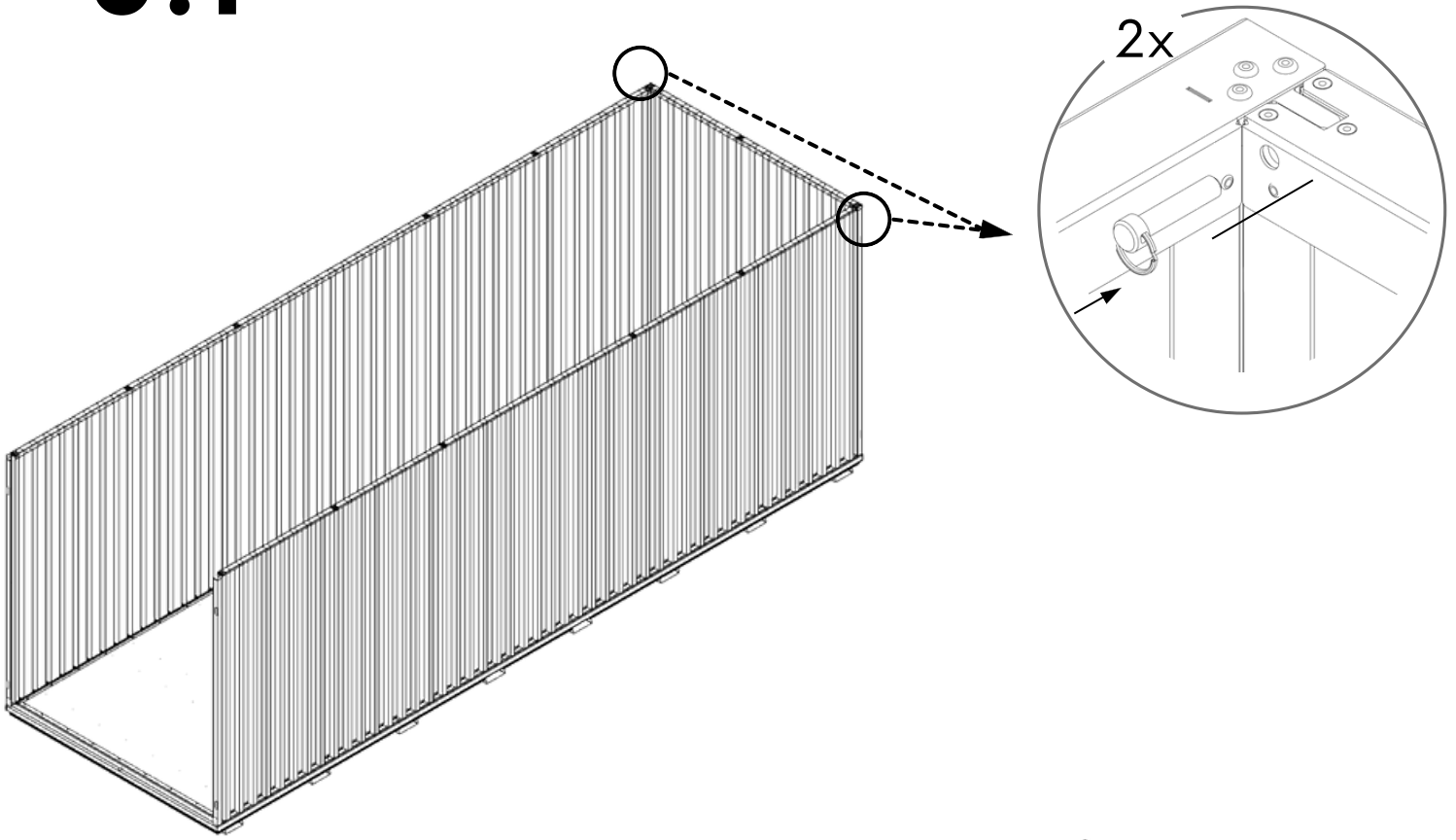
2



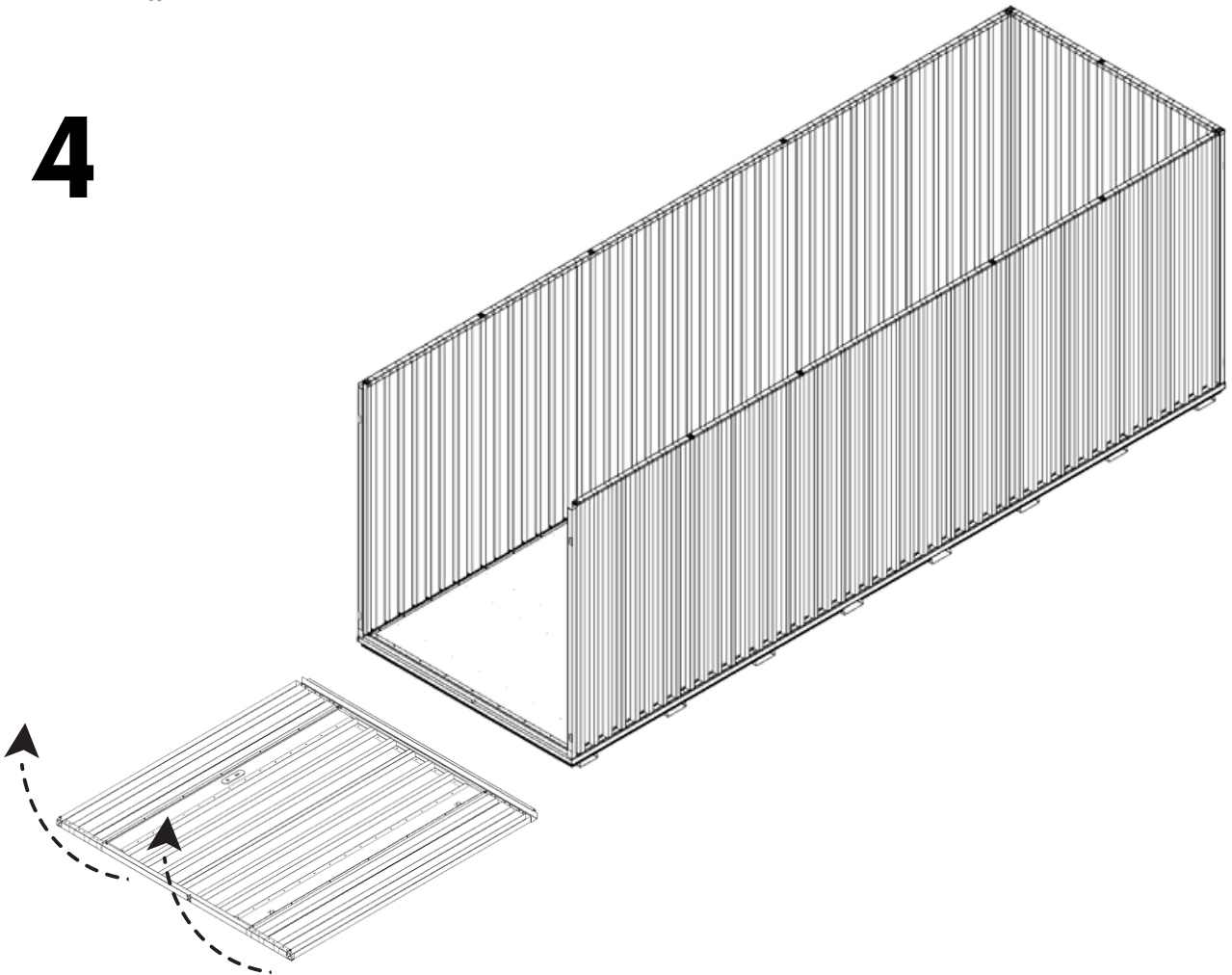
3



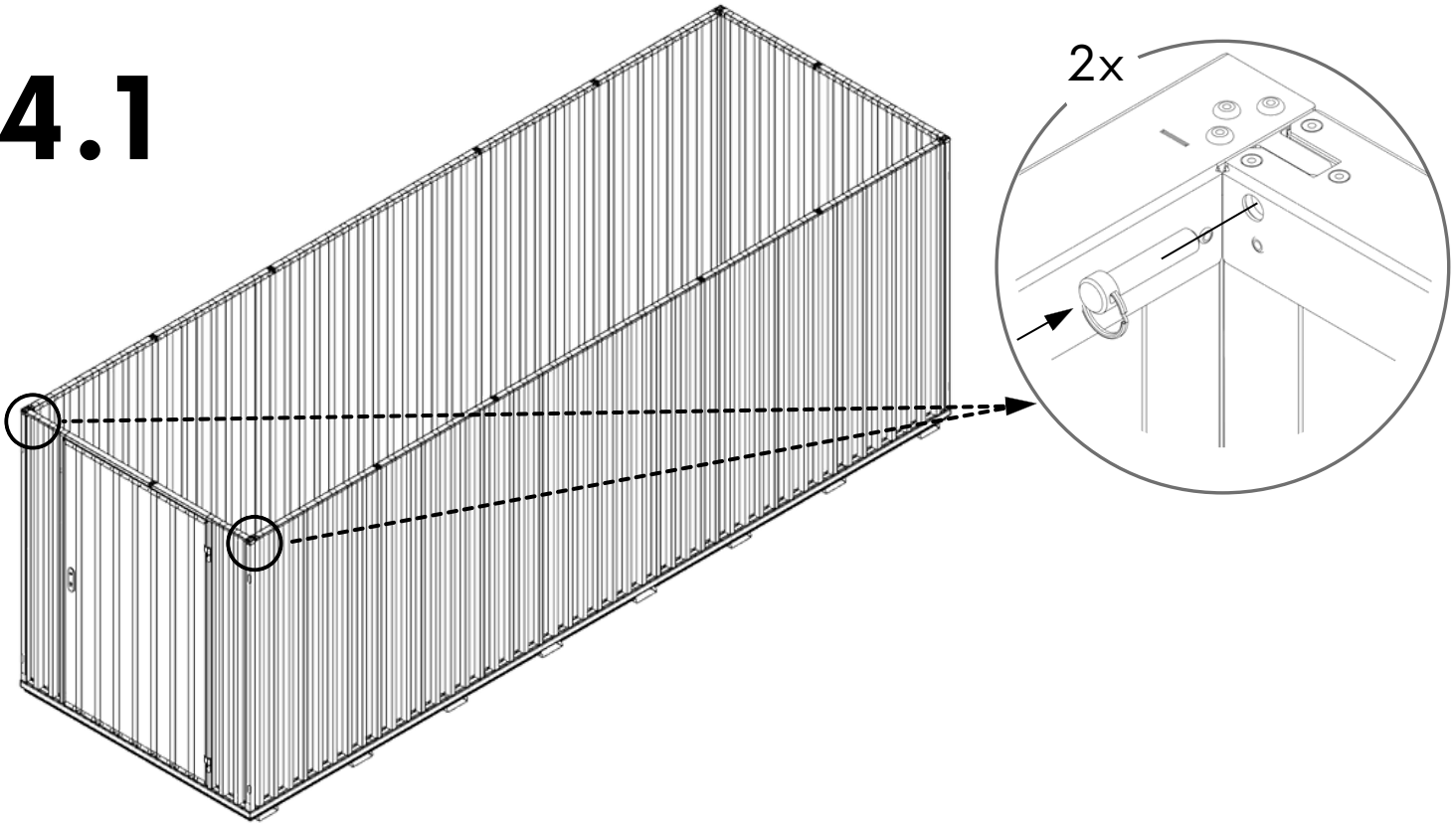
3.1











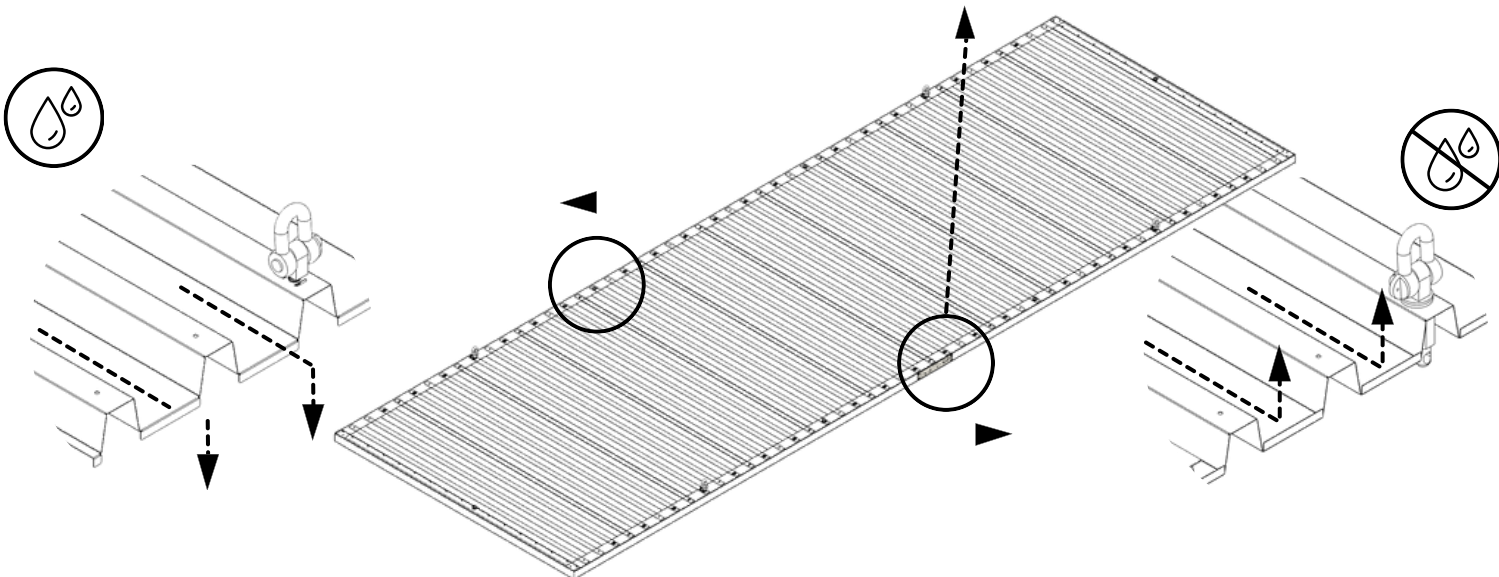
4



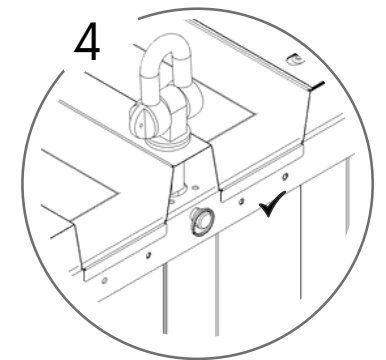
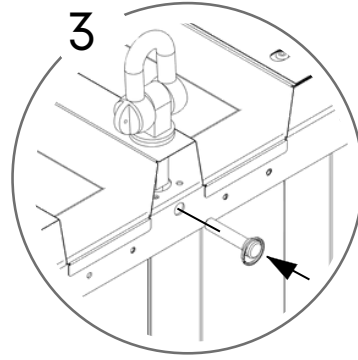
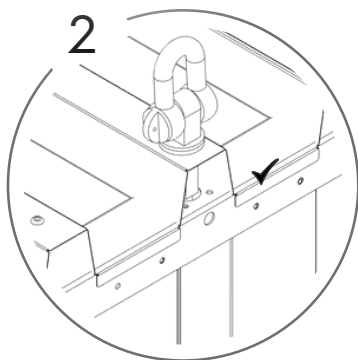
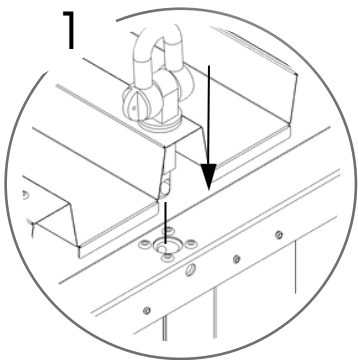
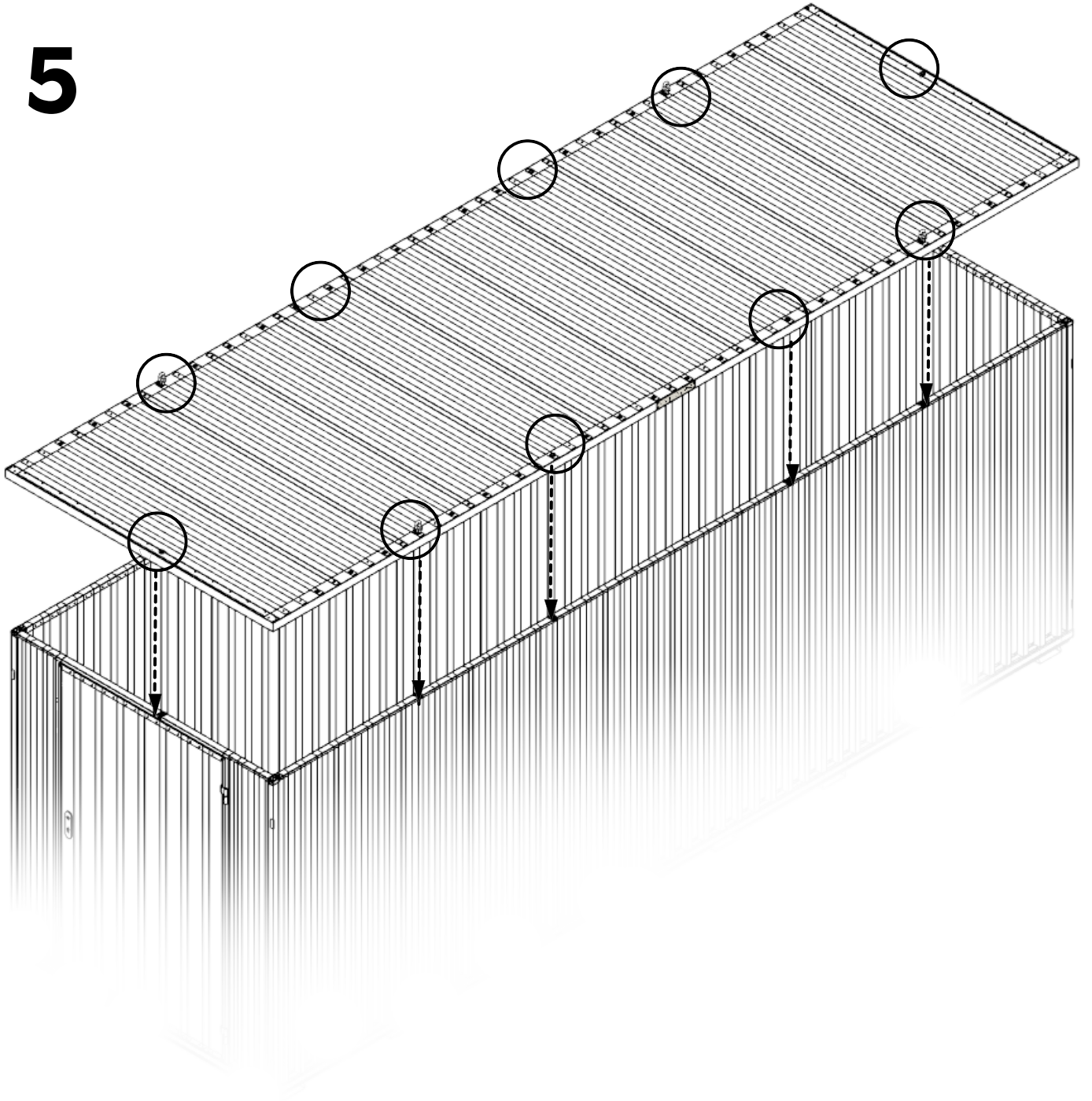
4.1



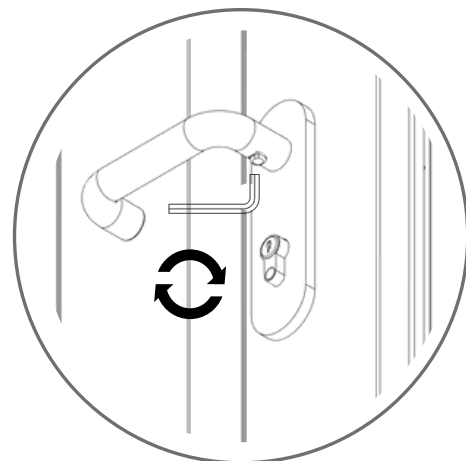
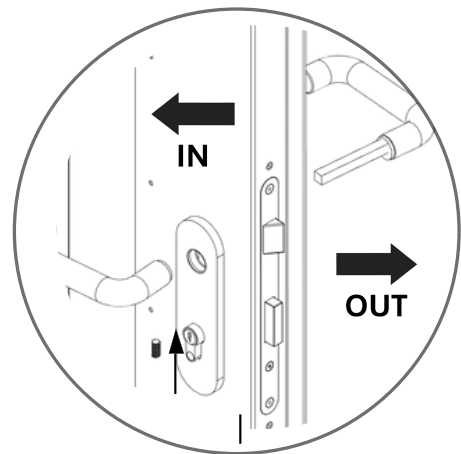
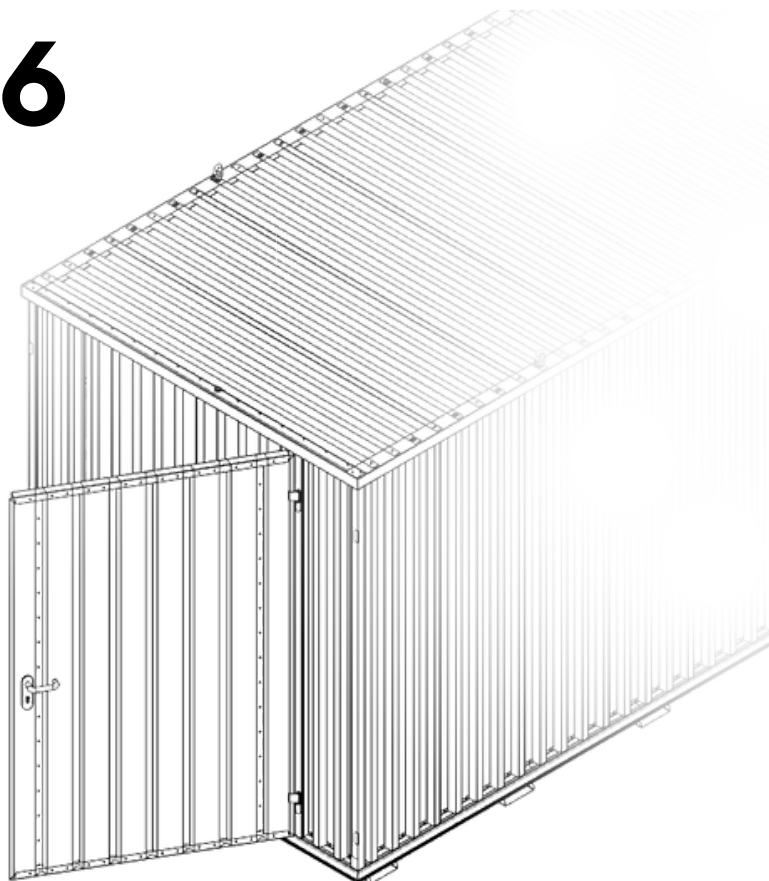
 579 KG	 1640 MM	Model Code: 60.110.320 Production Tracking Code:/X09.1.60.320  9001  14001  50001	 	
---	--	---	---	---



5



6



7

