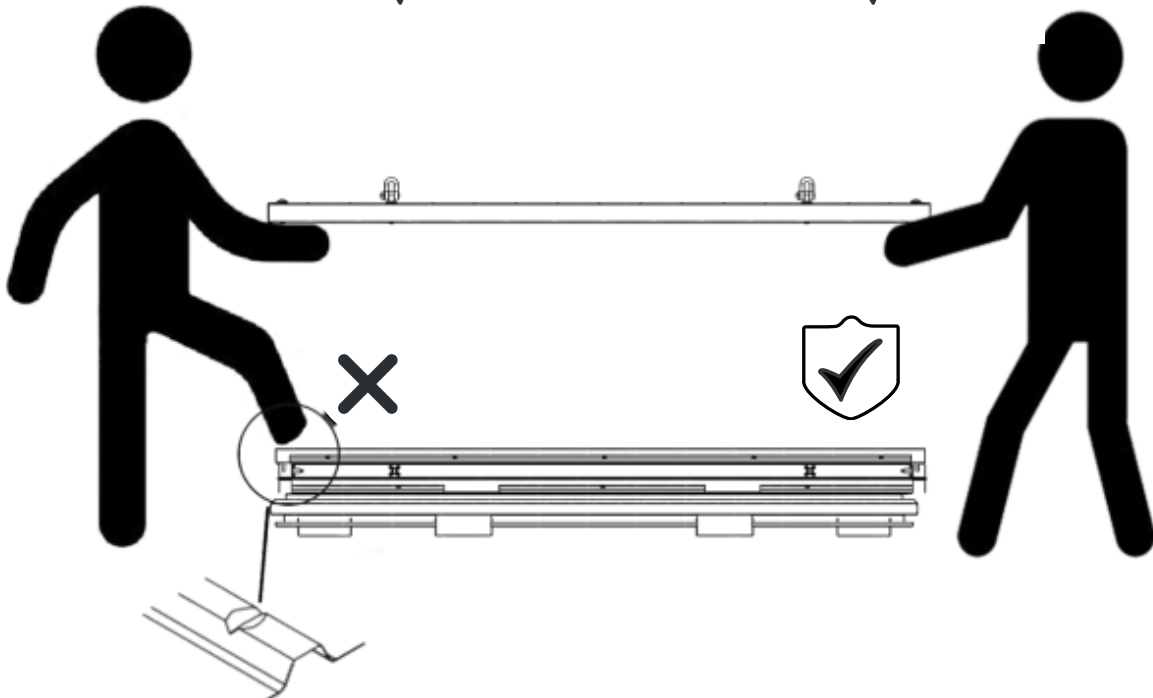
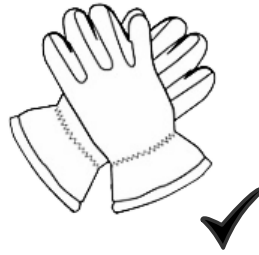


PRODUCT CODE:5055.110.430.431

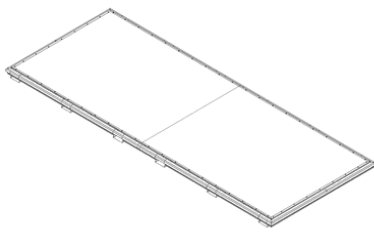
prefabase
Quick Build Solutions

Instructions and User Guide



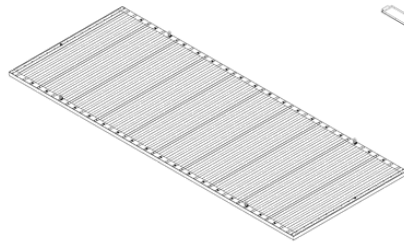
50.0110

3x



50.0510

3x



505.0110

2x



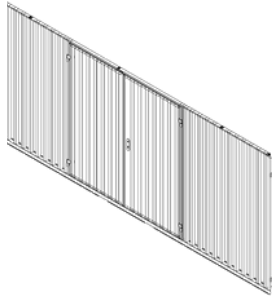
505.0510

2x



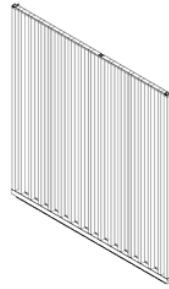
50.0430

2x



0310

6x



305.20.08

4x



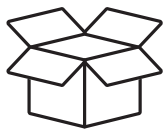
305.20.09

4x

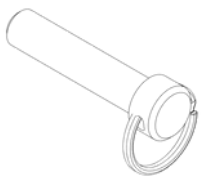


61.101

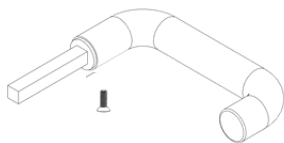
4x



36x



2x



20x



20x



20x



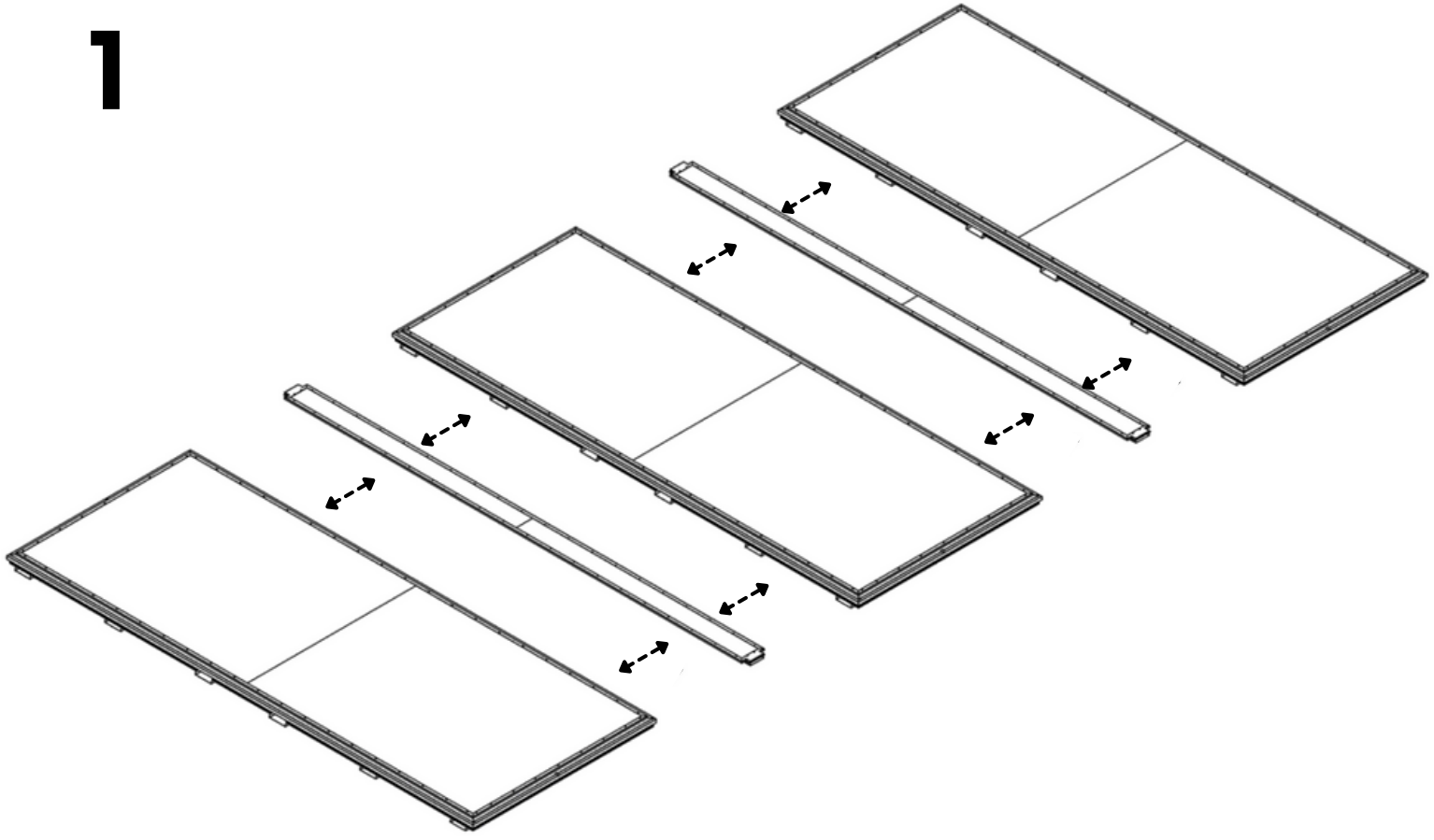
1x



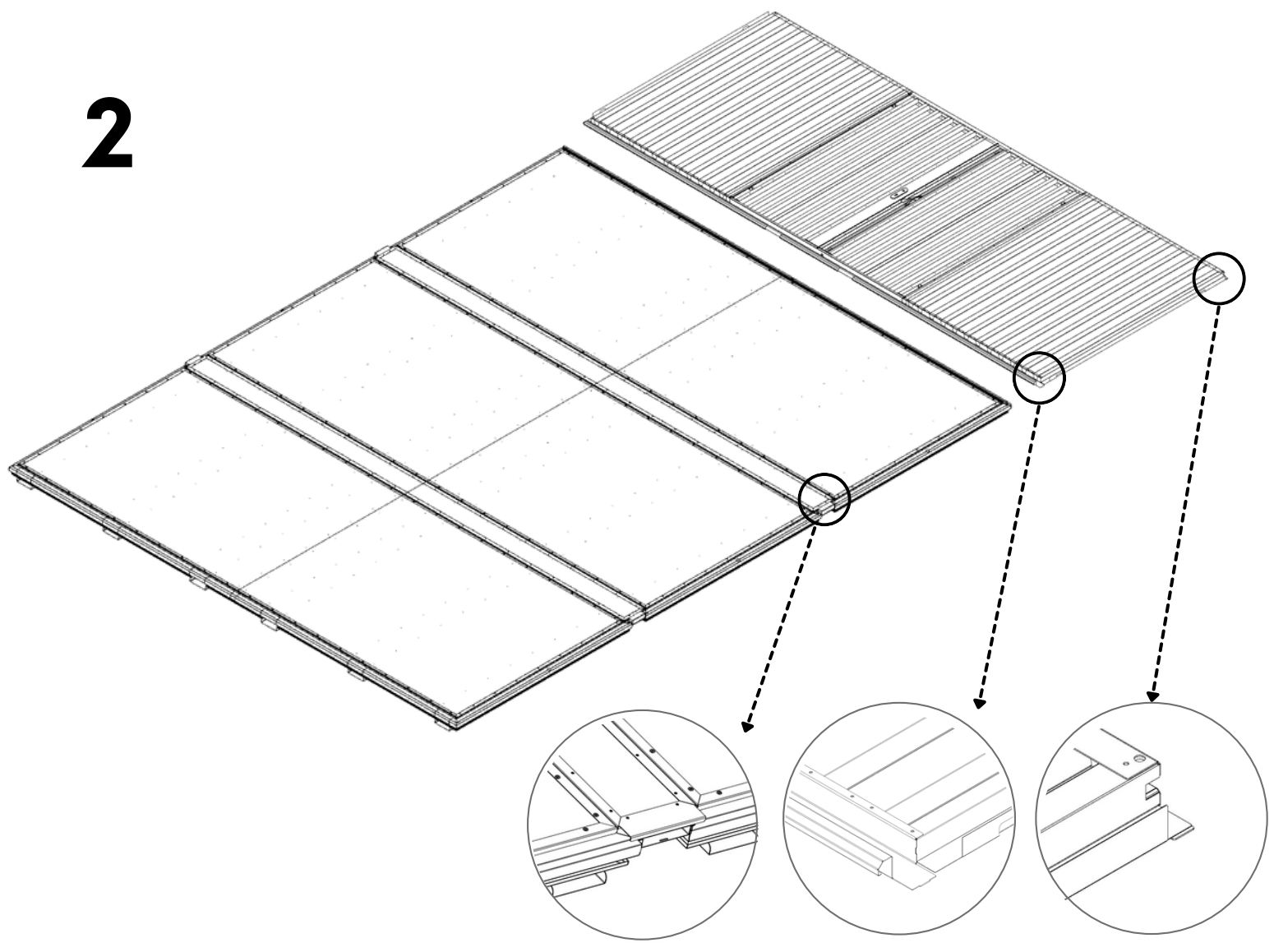
2x

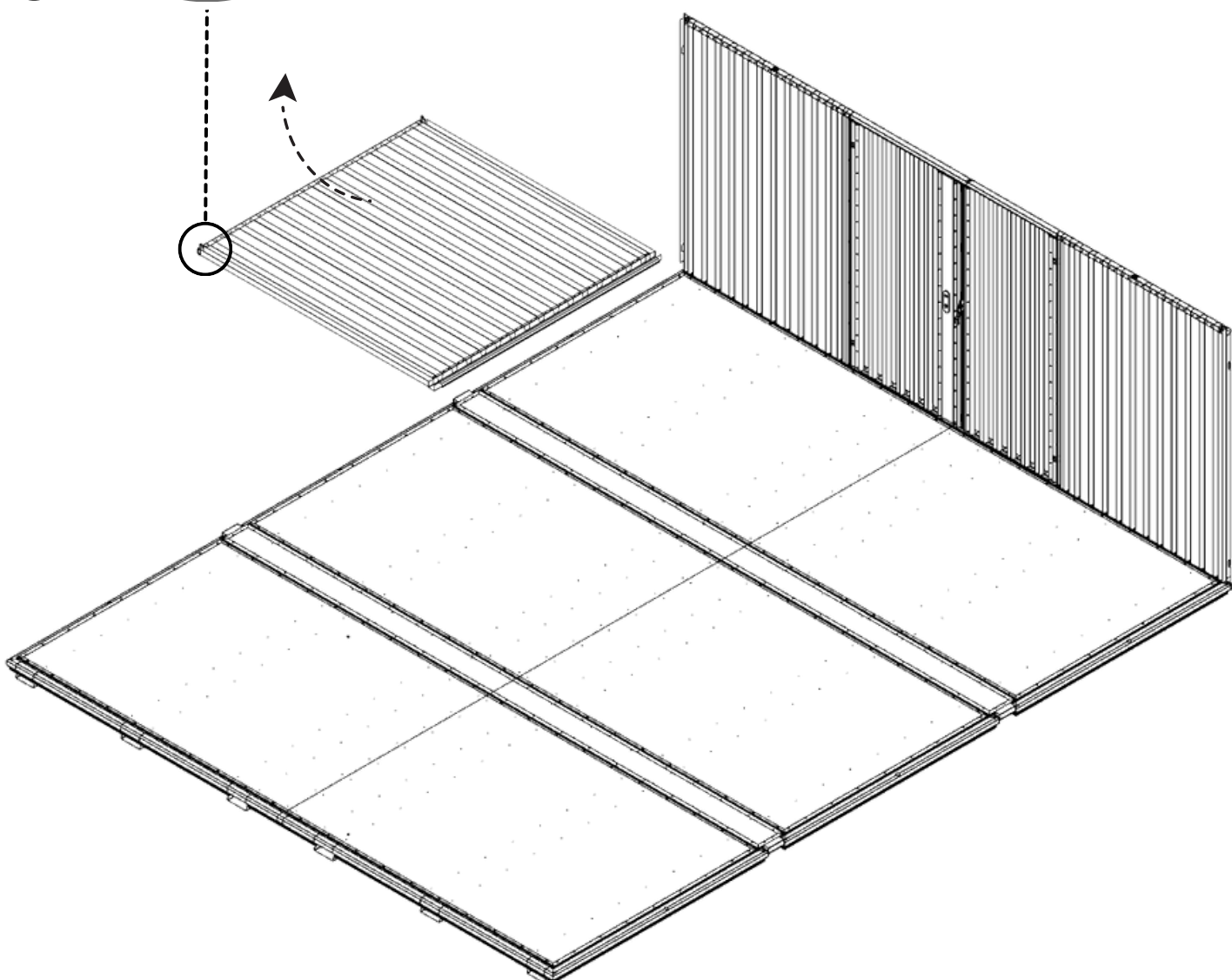
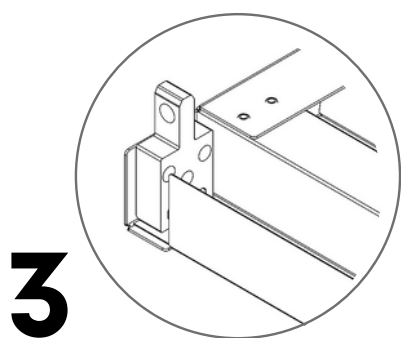
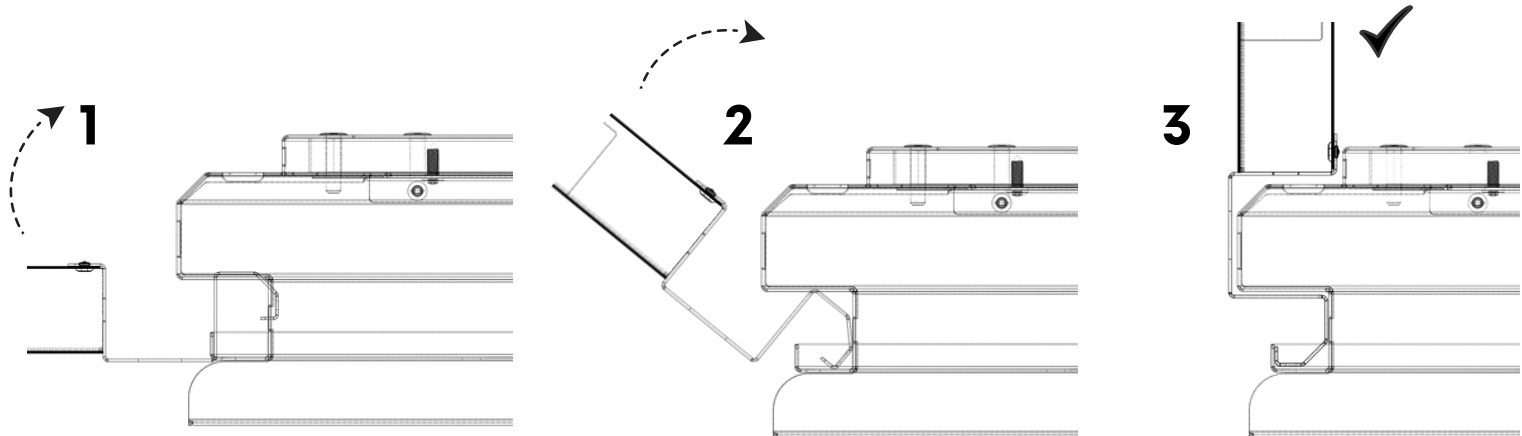


1

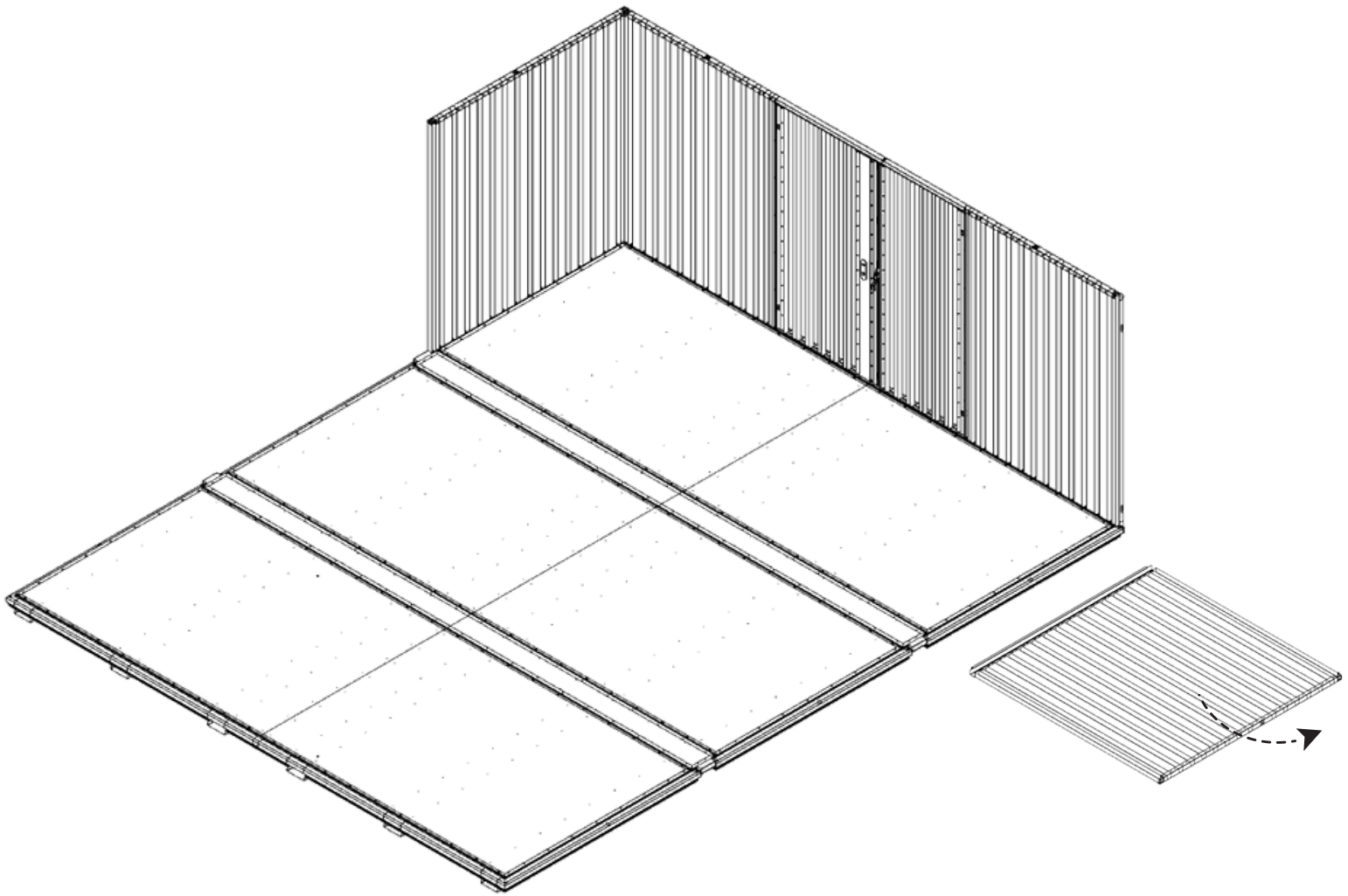


2

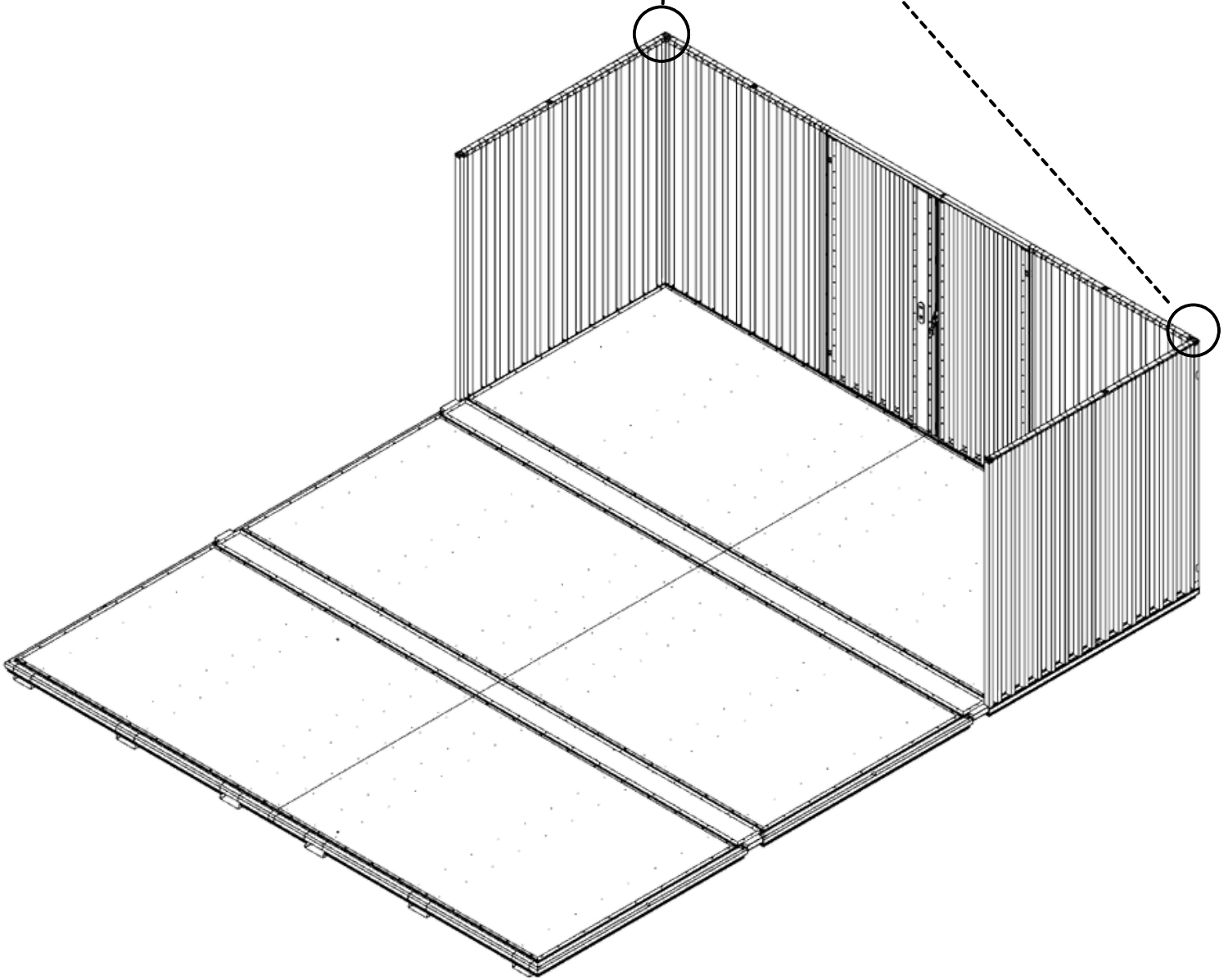
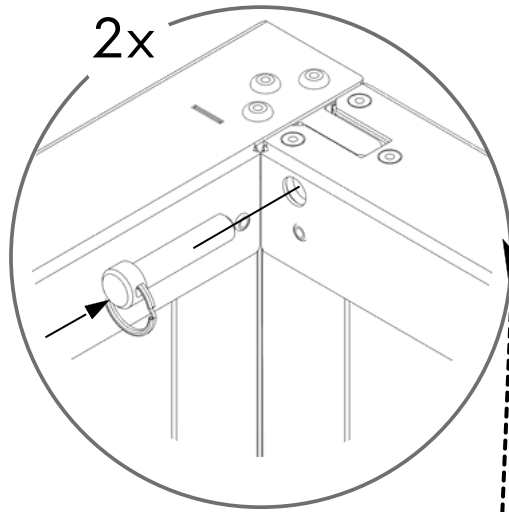




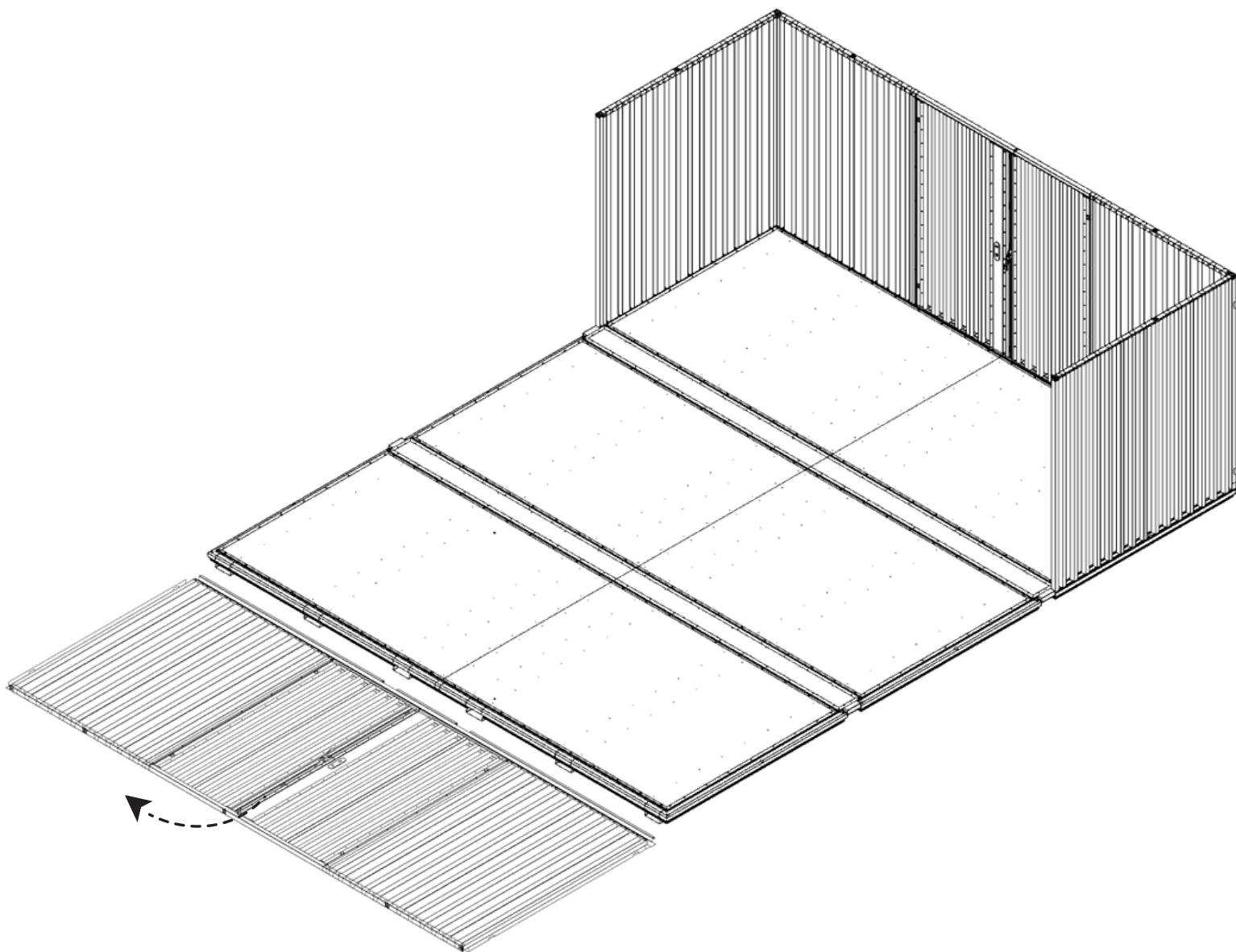
4



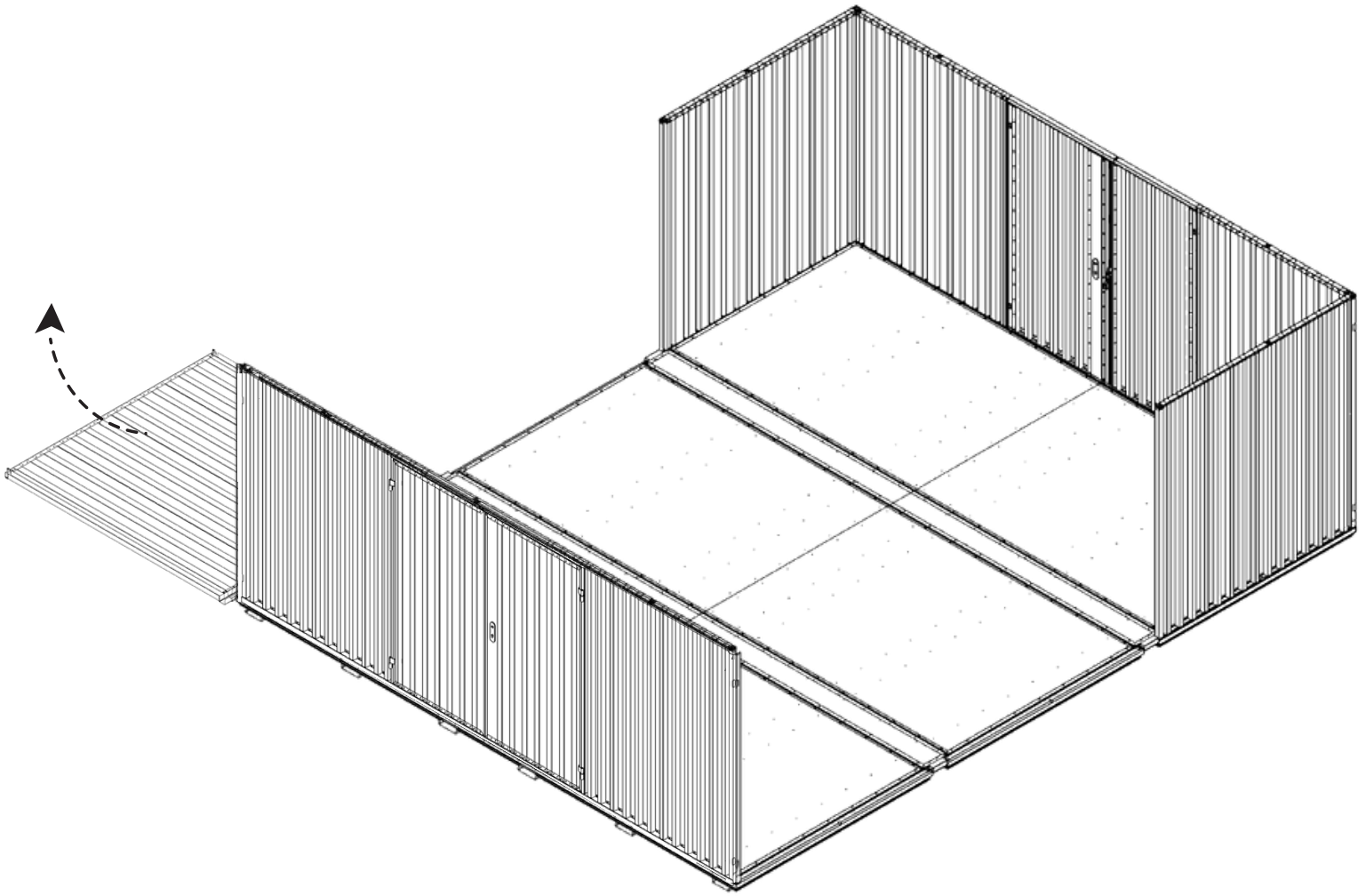
4.1



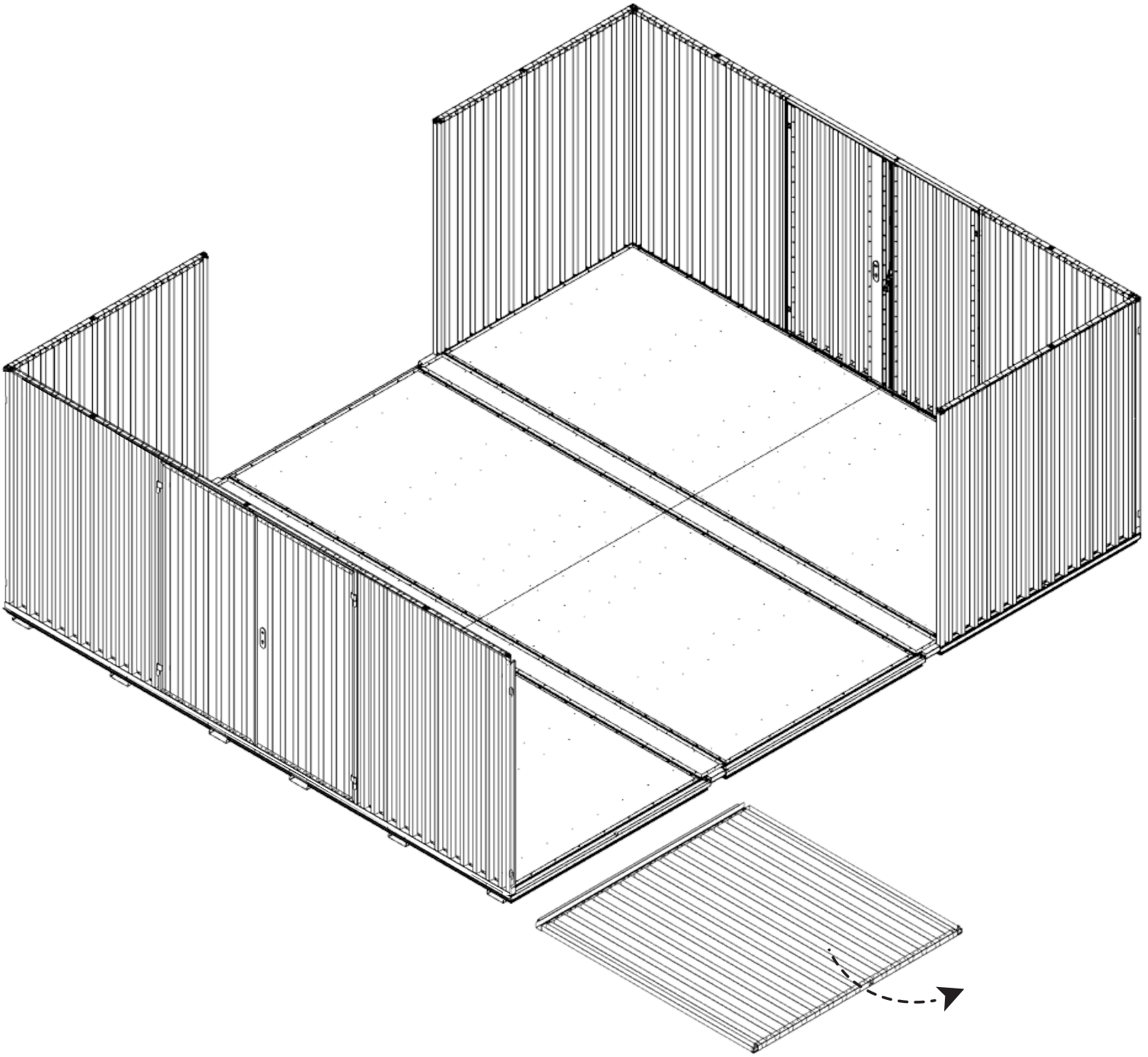
5



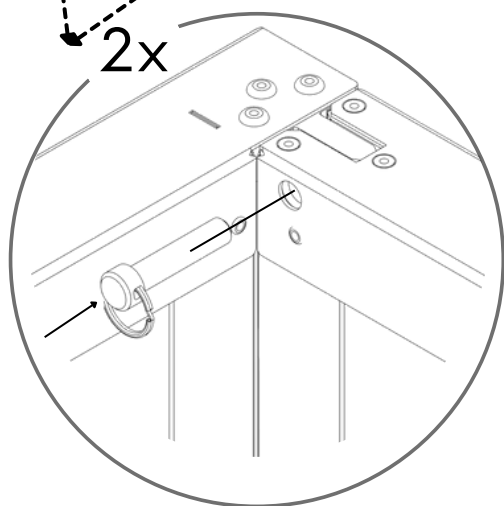
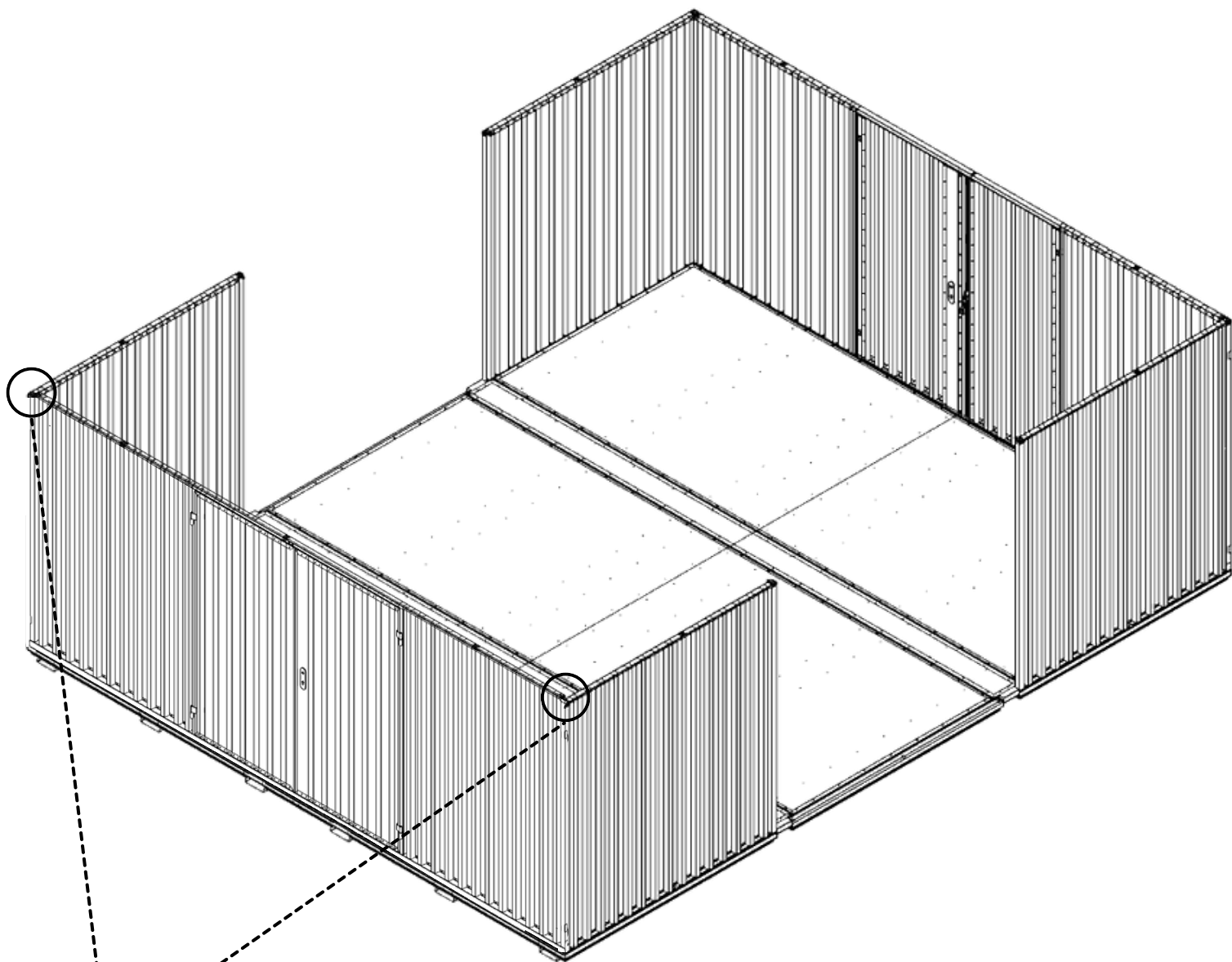
6



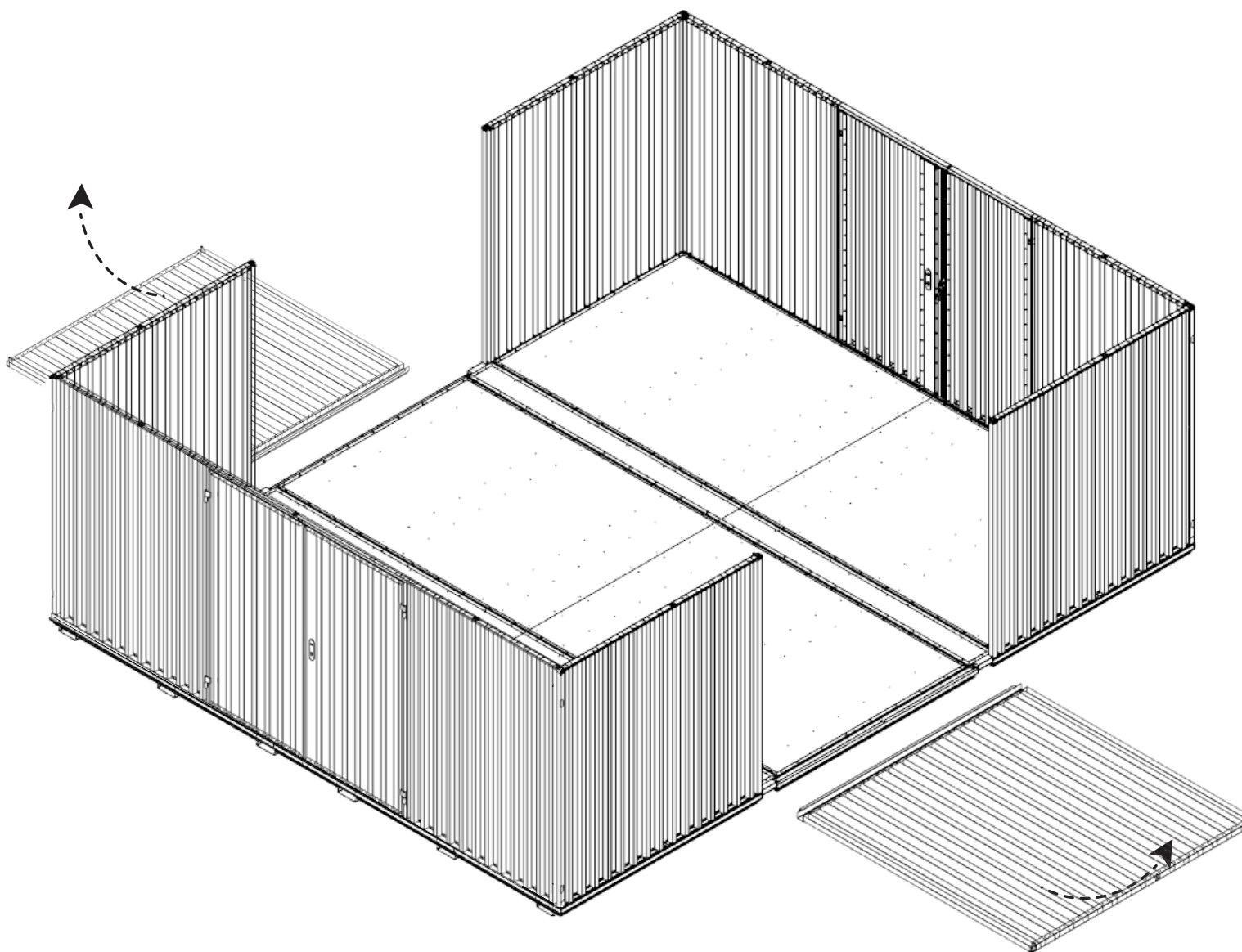
7



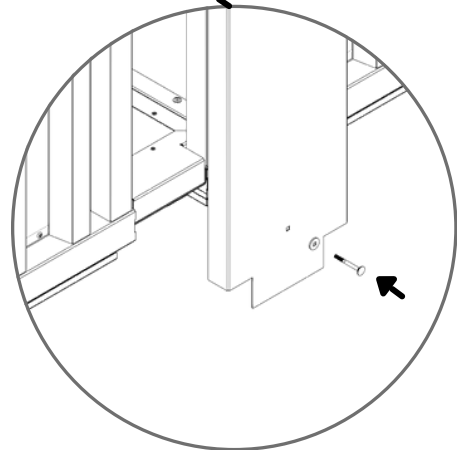
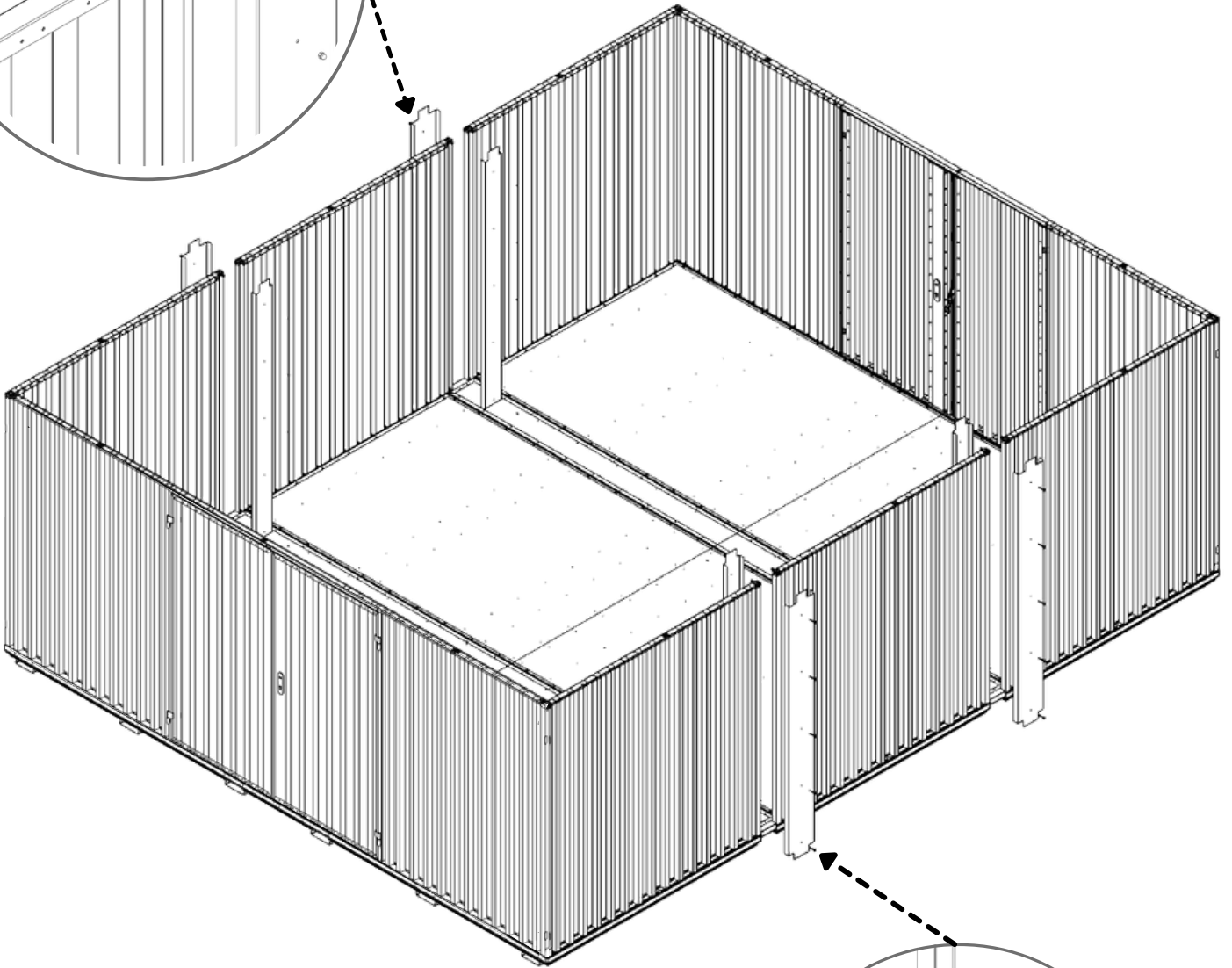
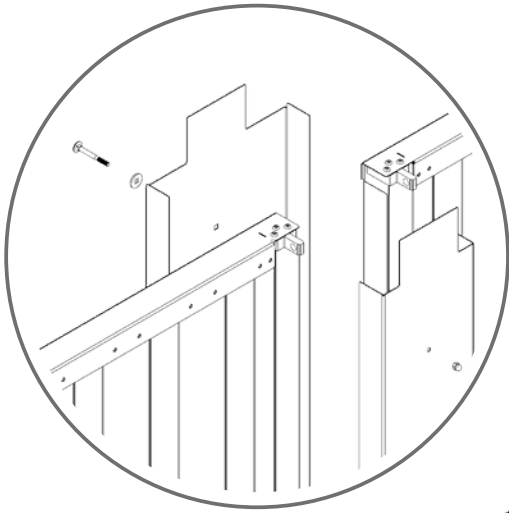
7.1



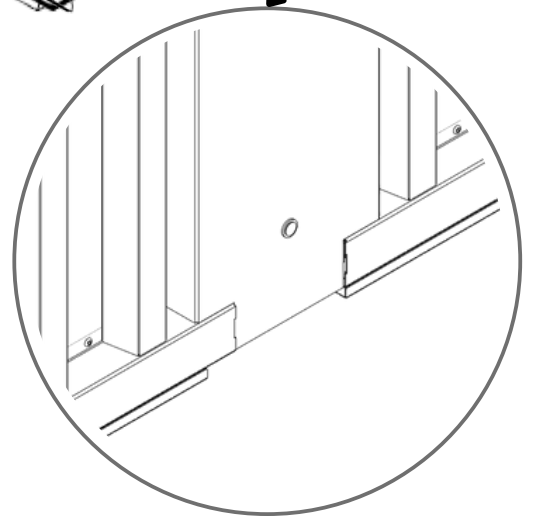
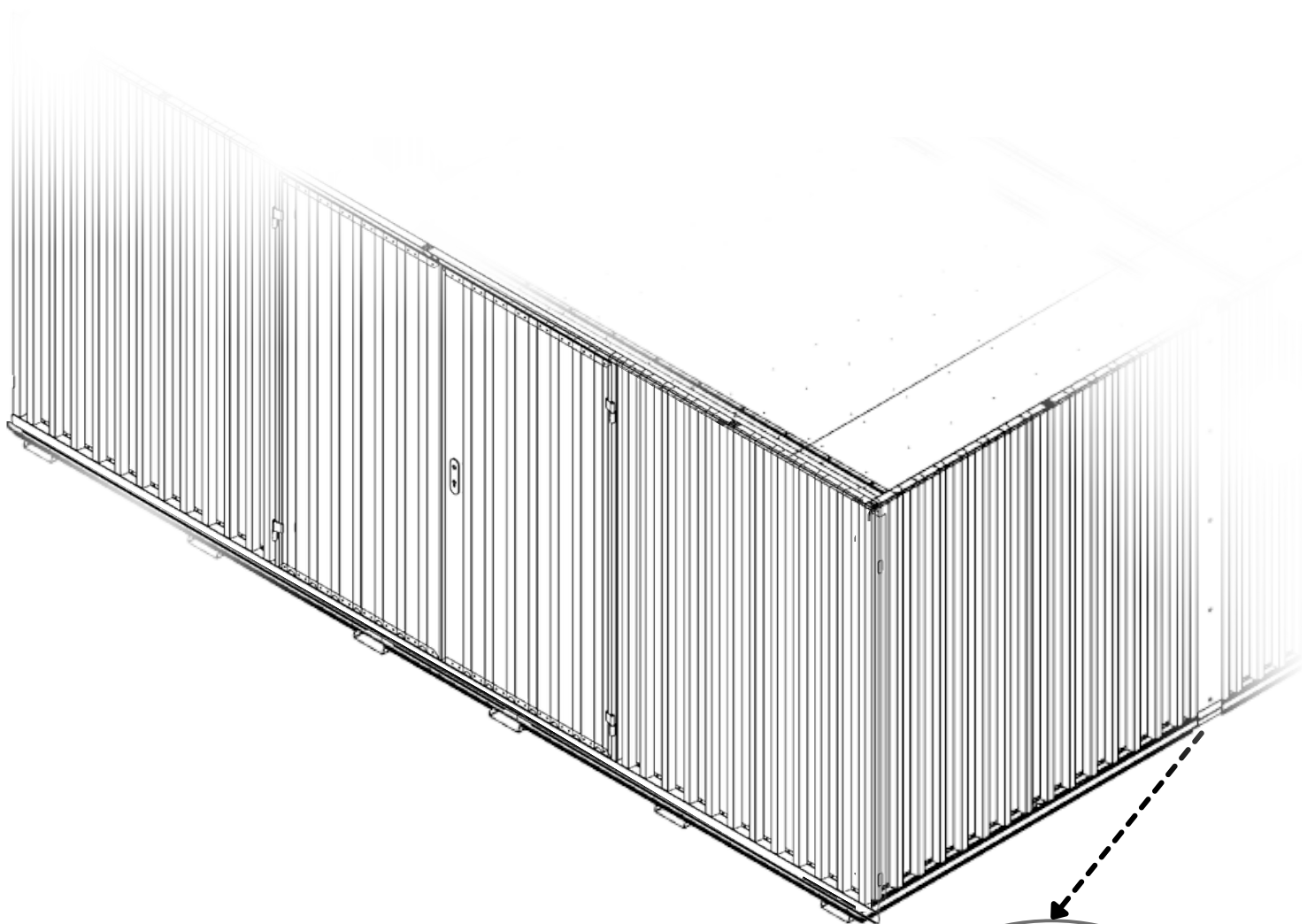
8



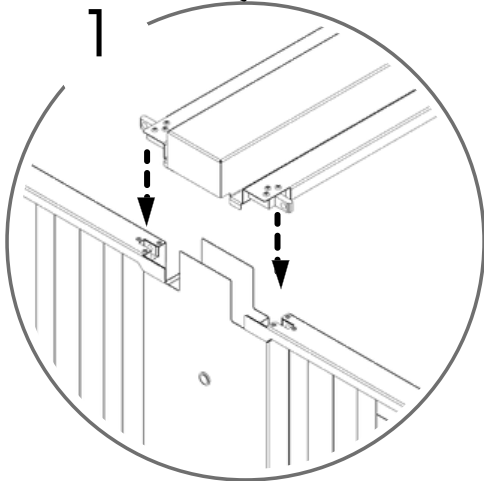
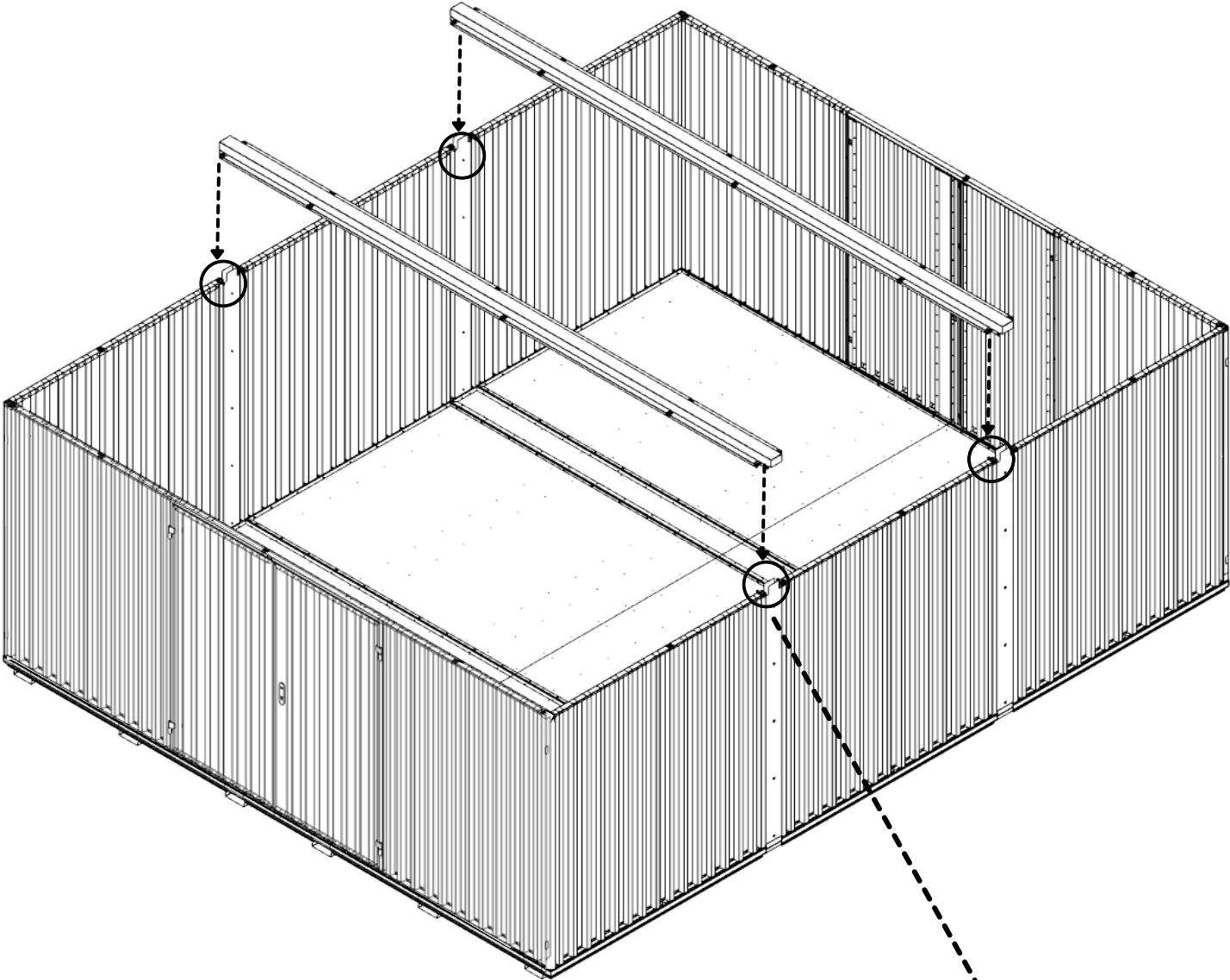
9



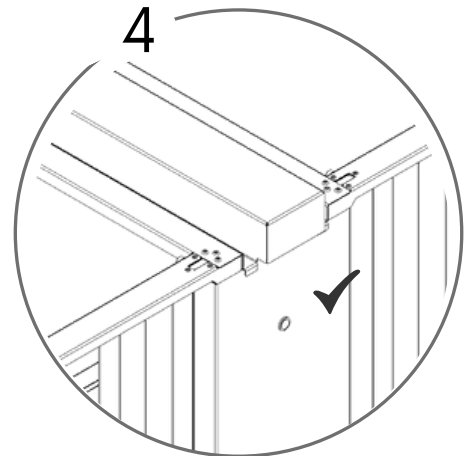
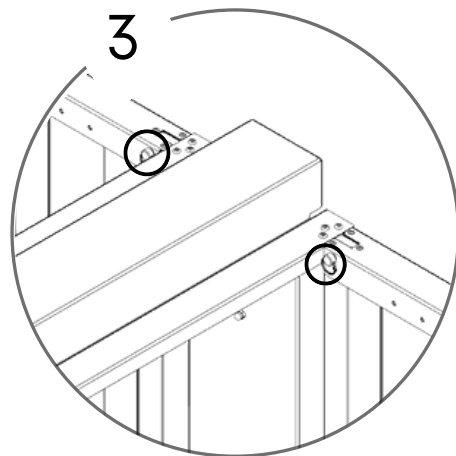
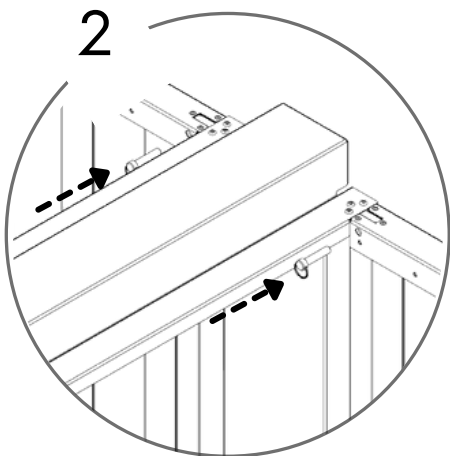
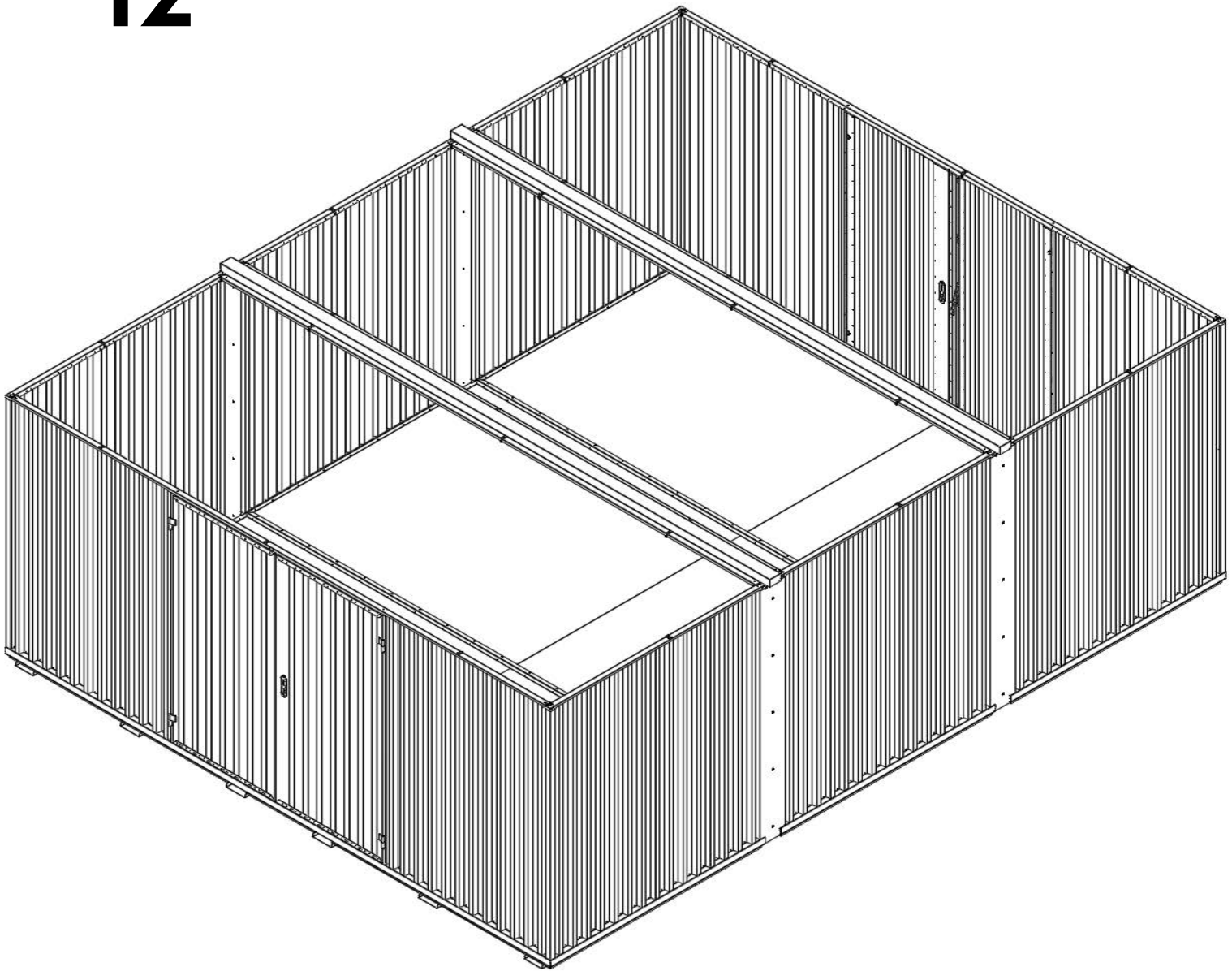
10











11

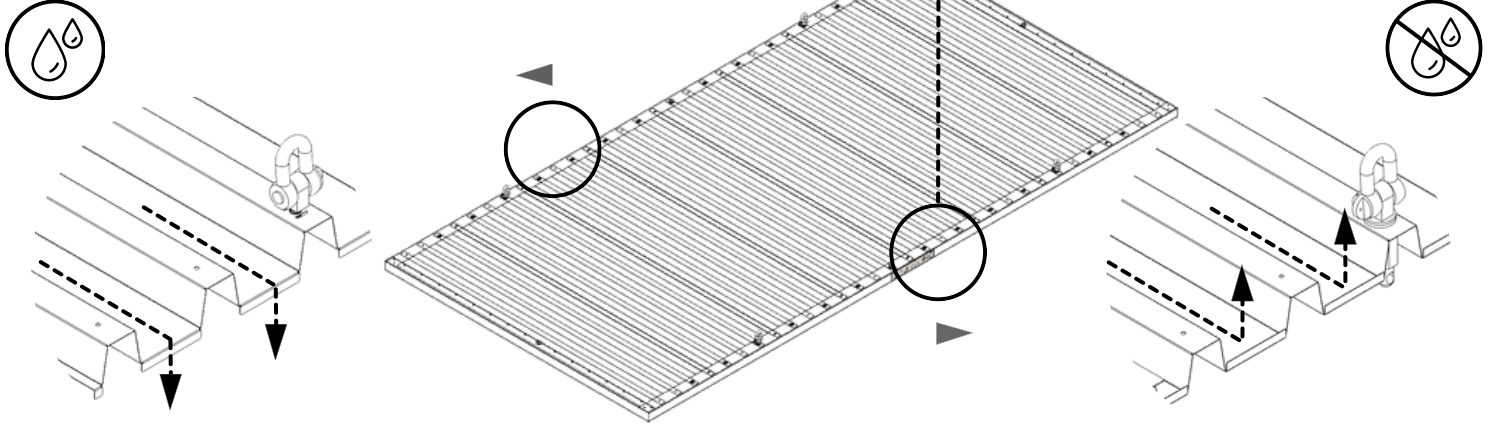


12

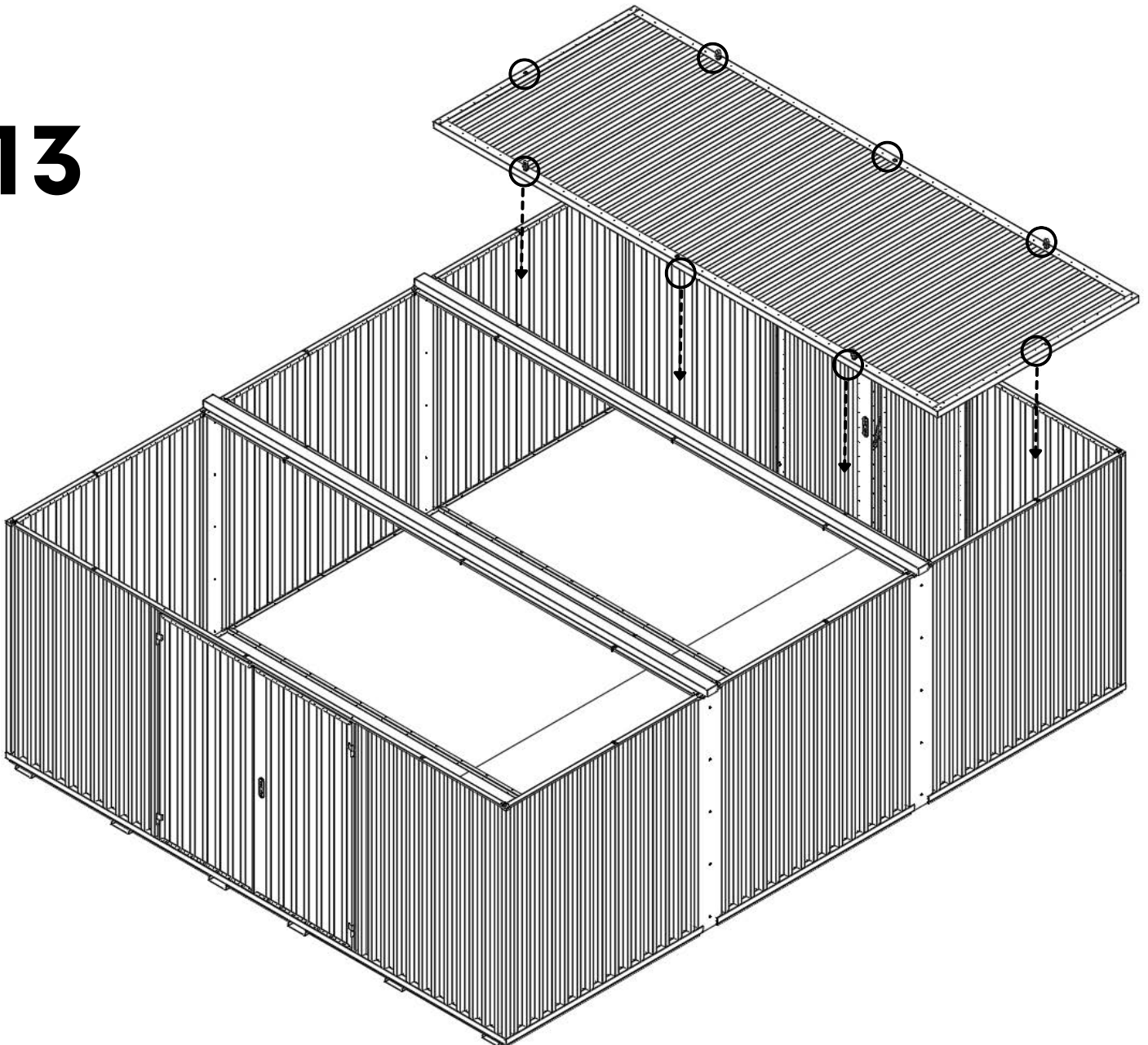




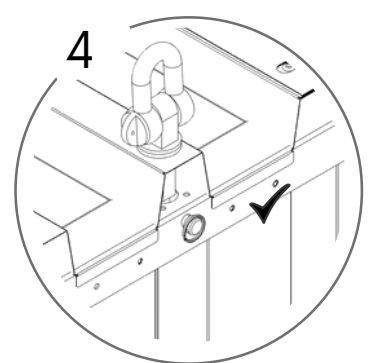
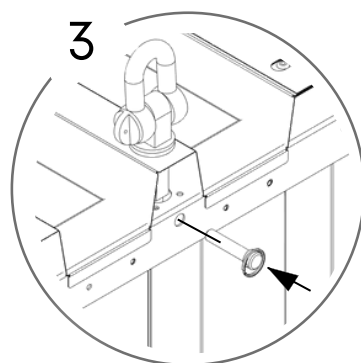
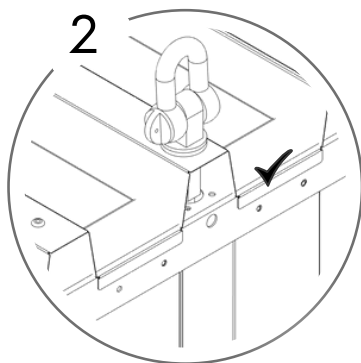
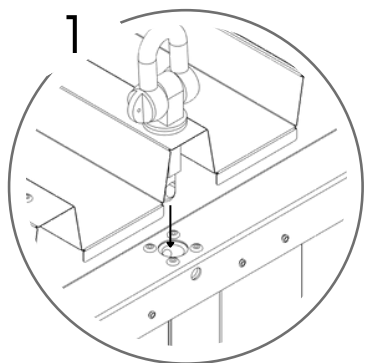
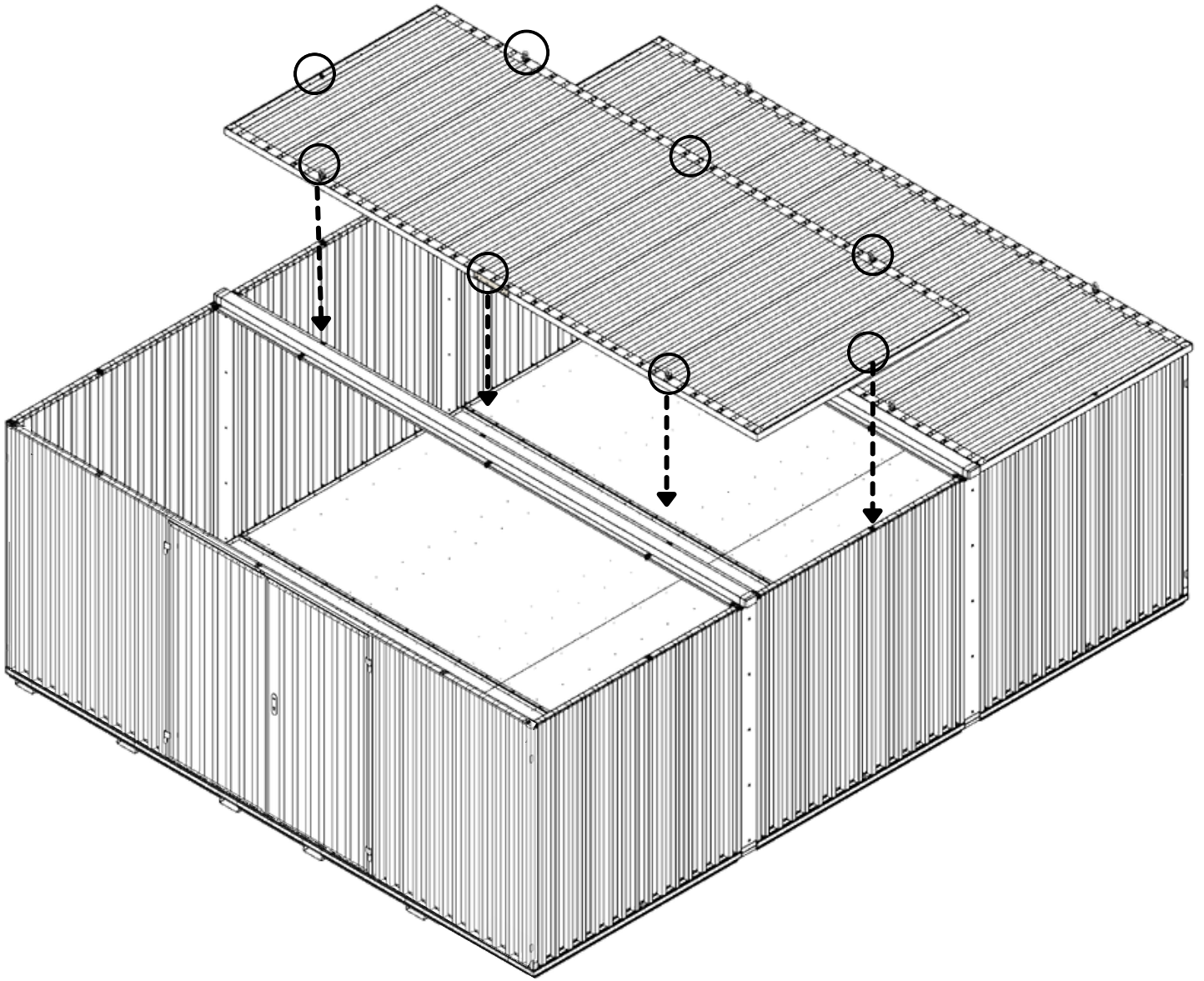
 1288 KG	 1640 MM	Model Code: 5055.110.430.431 Production Tracking Code:/X09.1.5055.430.431	  	 	
--	--	---	---	---	---



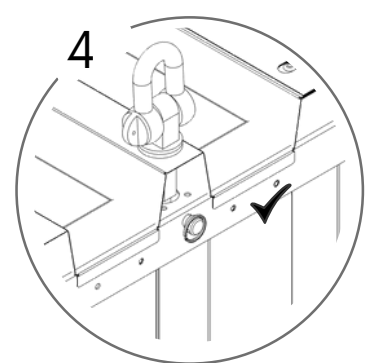
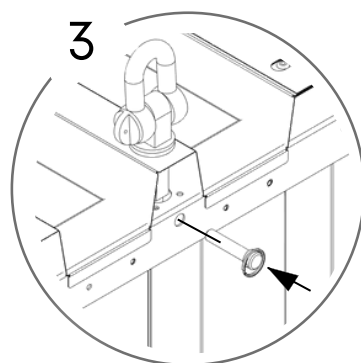
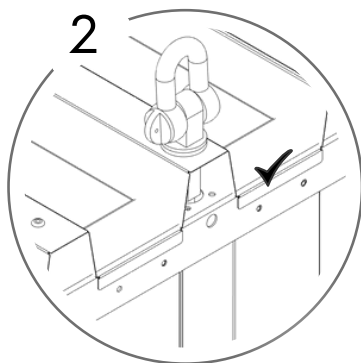
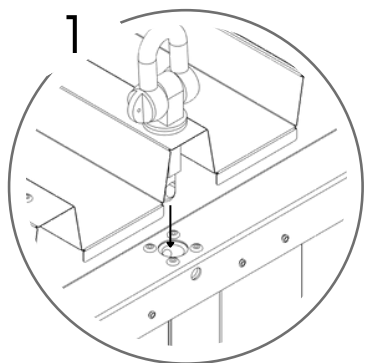
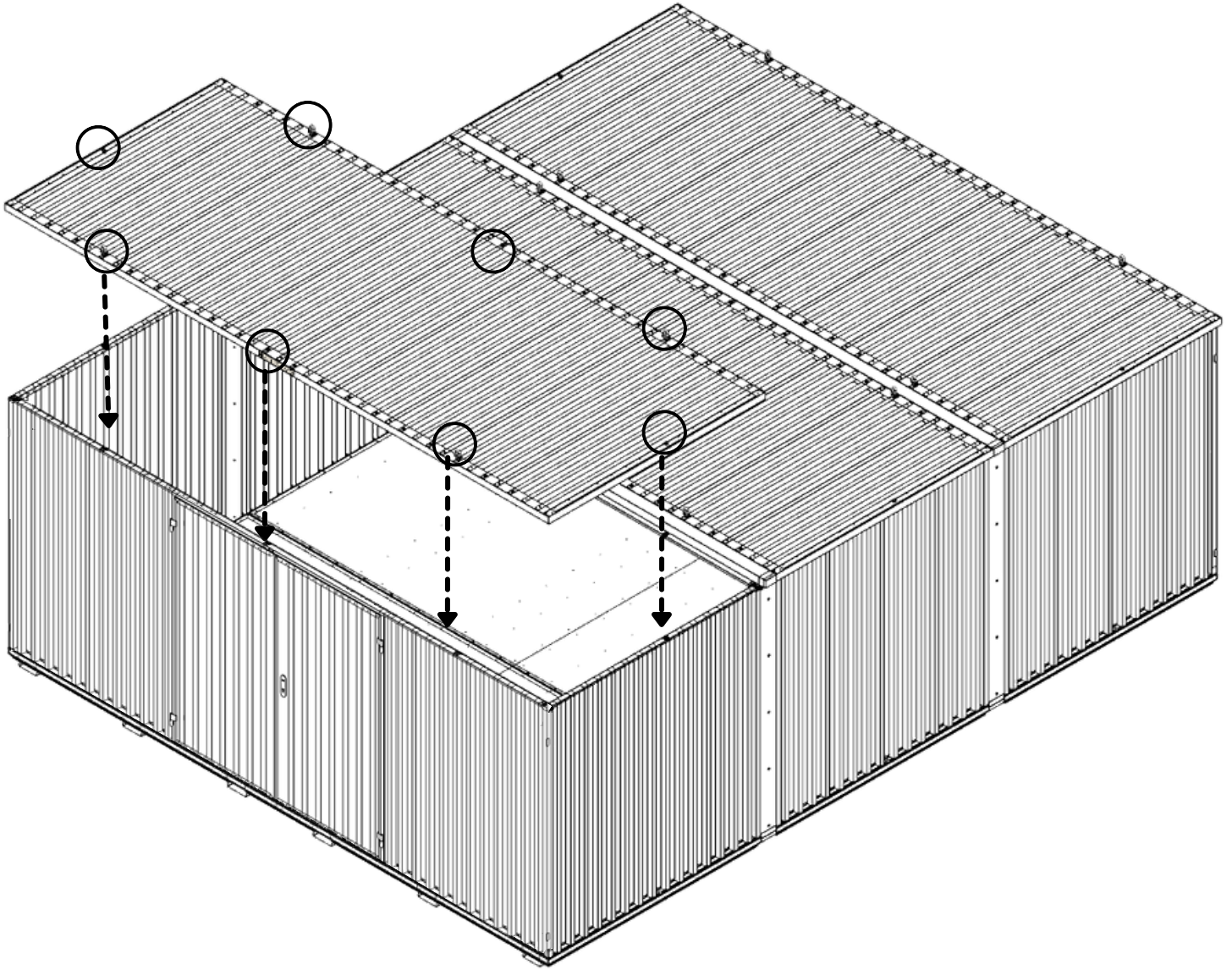
13



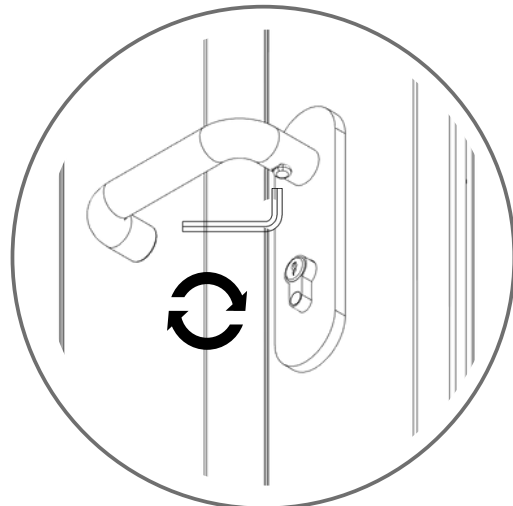
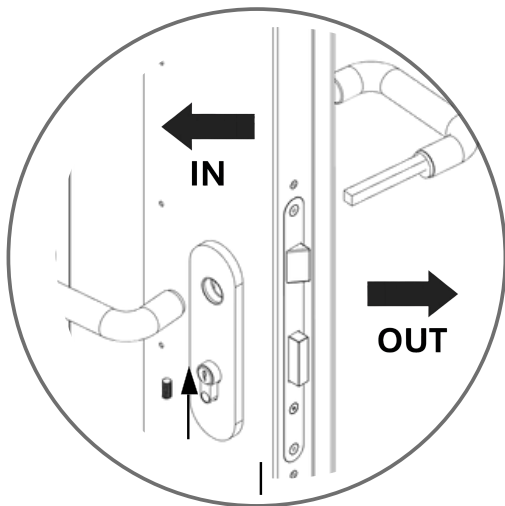
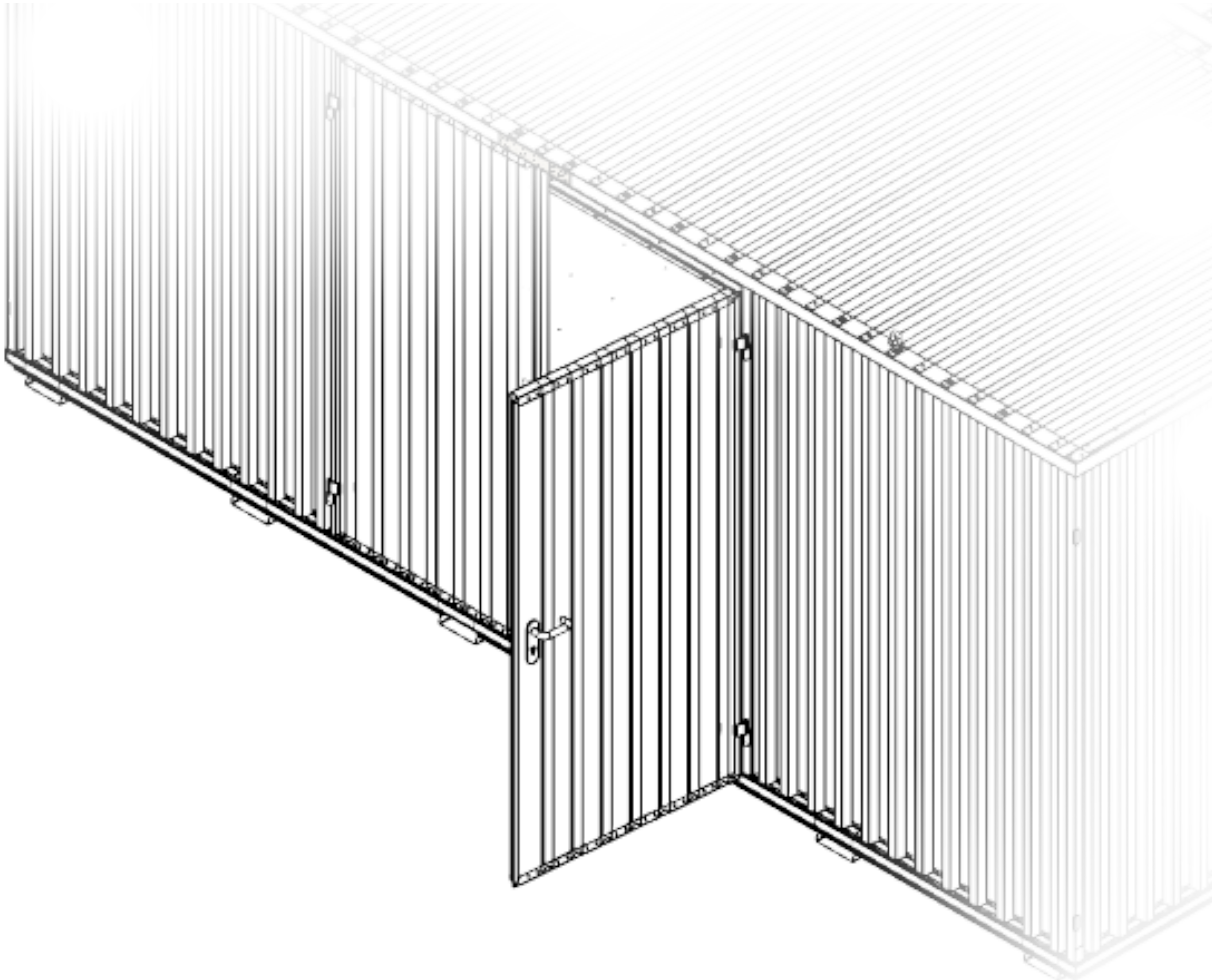
14



15



16



17

