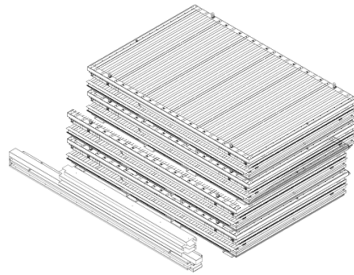


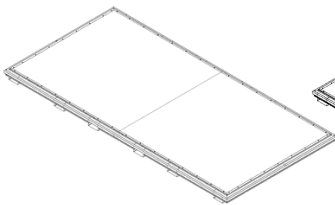
PRODUCT CODE:4030.110.330.331

**prefabase**  
Quick Build Solutions

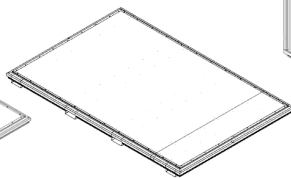
Instructions and User Guide



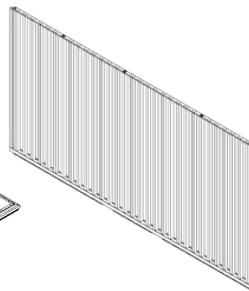
40.0110  
1x



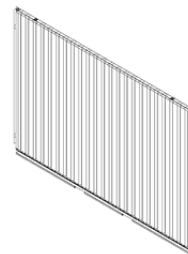
30.0110  
1x



40.0410  
2x



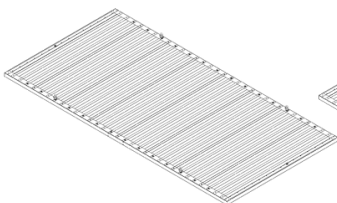
30.0410  
2x



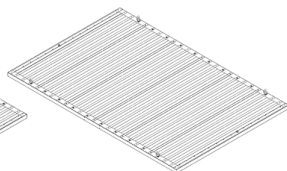
0330/0220/0230  
2x



40.0510  
1x



30.0510  
1x



306.0110  
1x



3060.0099.40.05  
2x



3060.0099.40.04  
2x

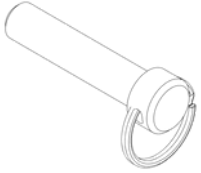


306.0510  
1x

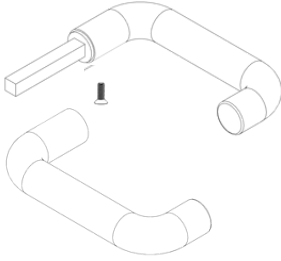




22x



2x



1x



2x



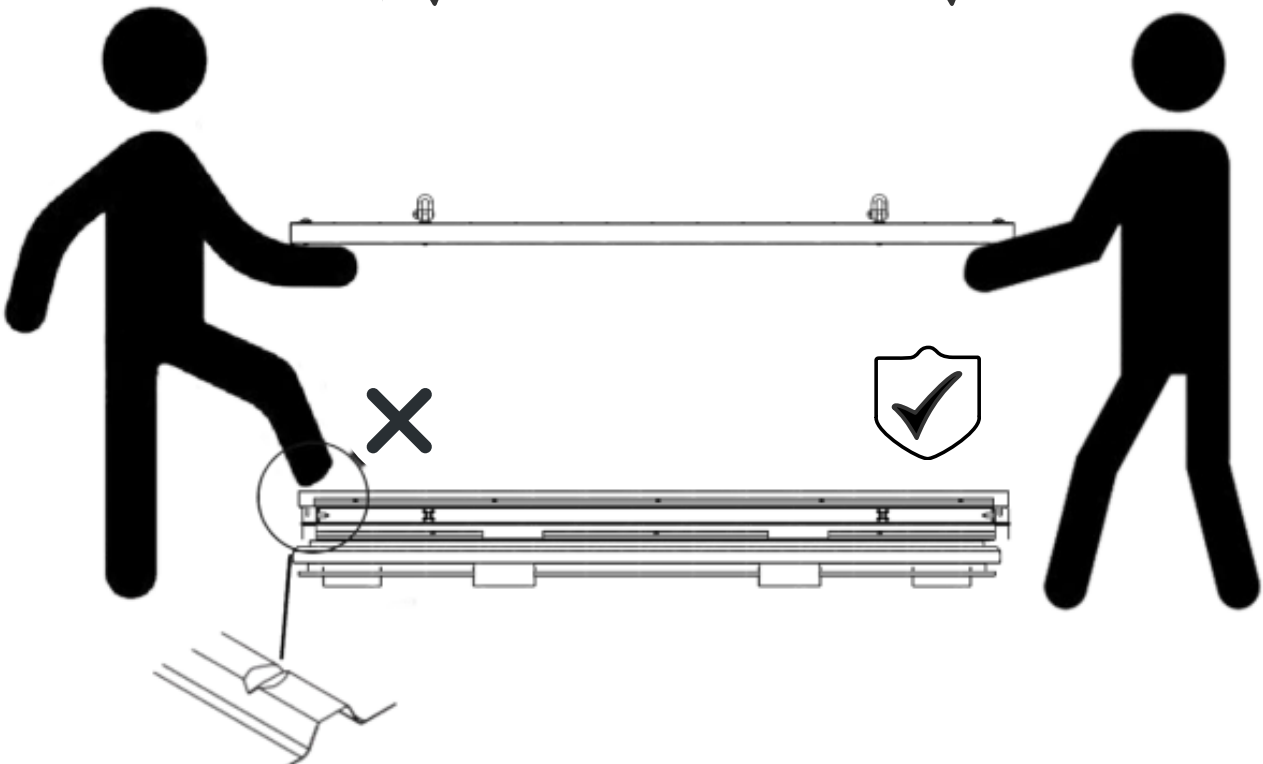
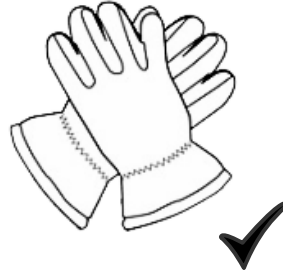
10x



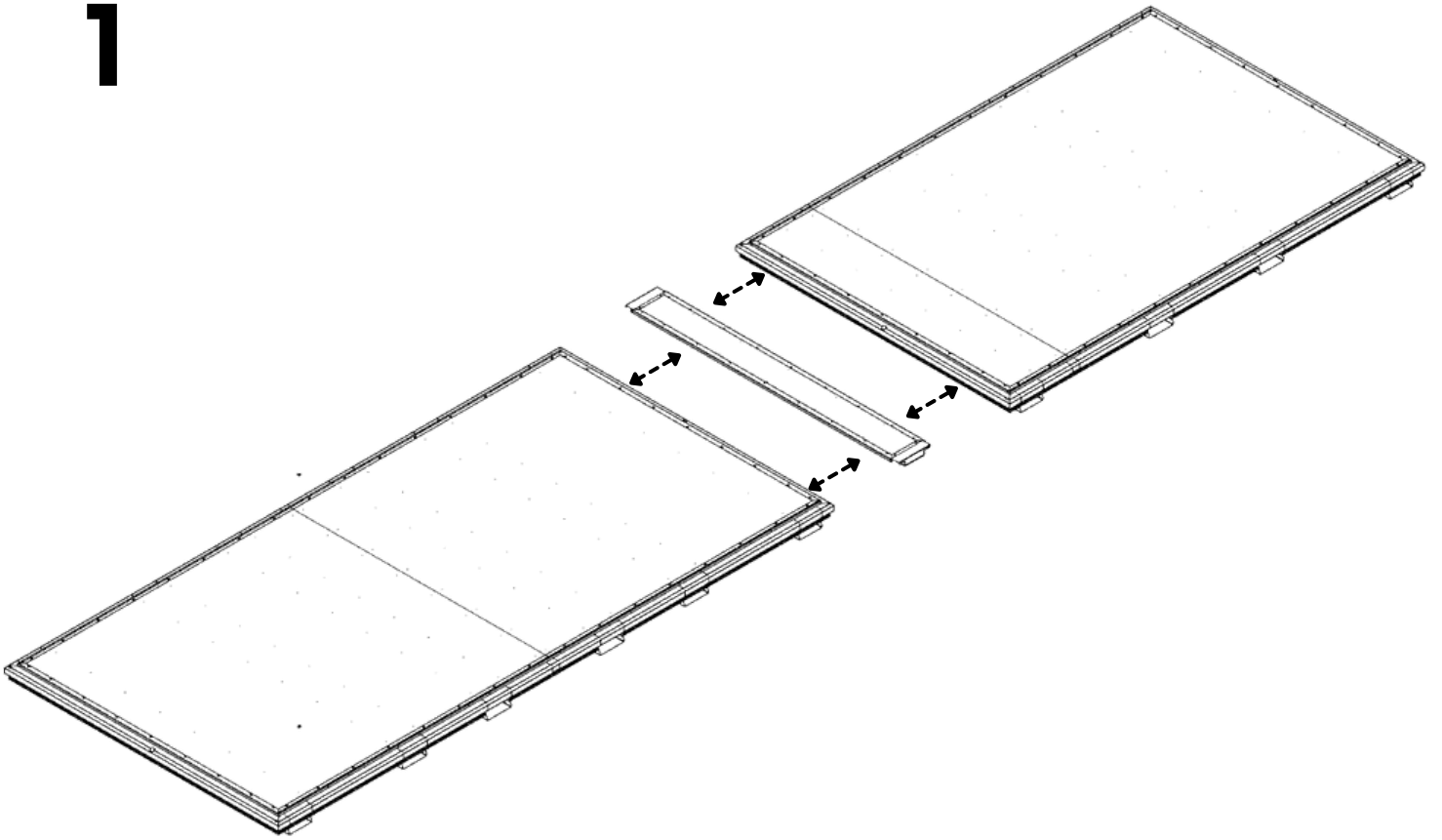
10x



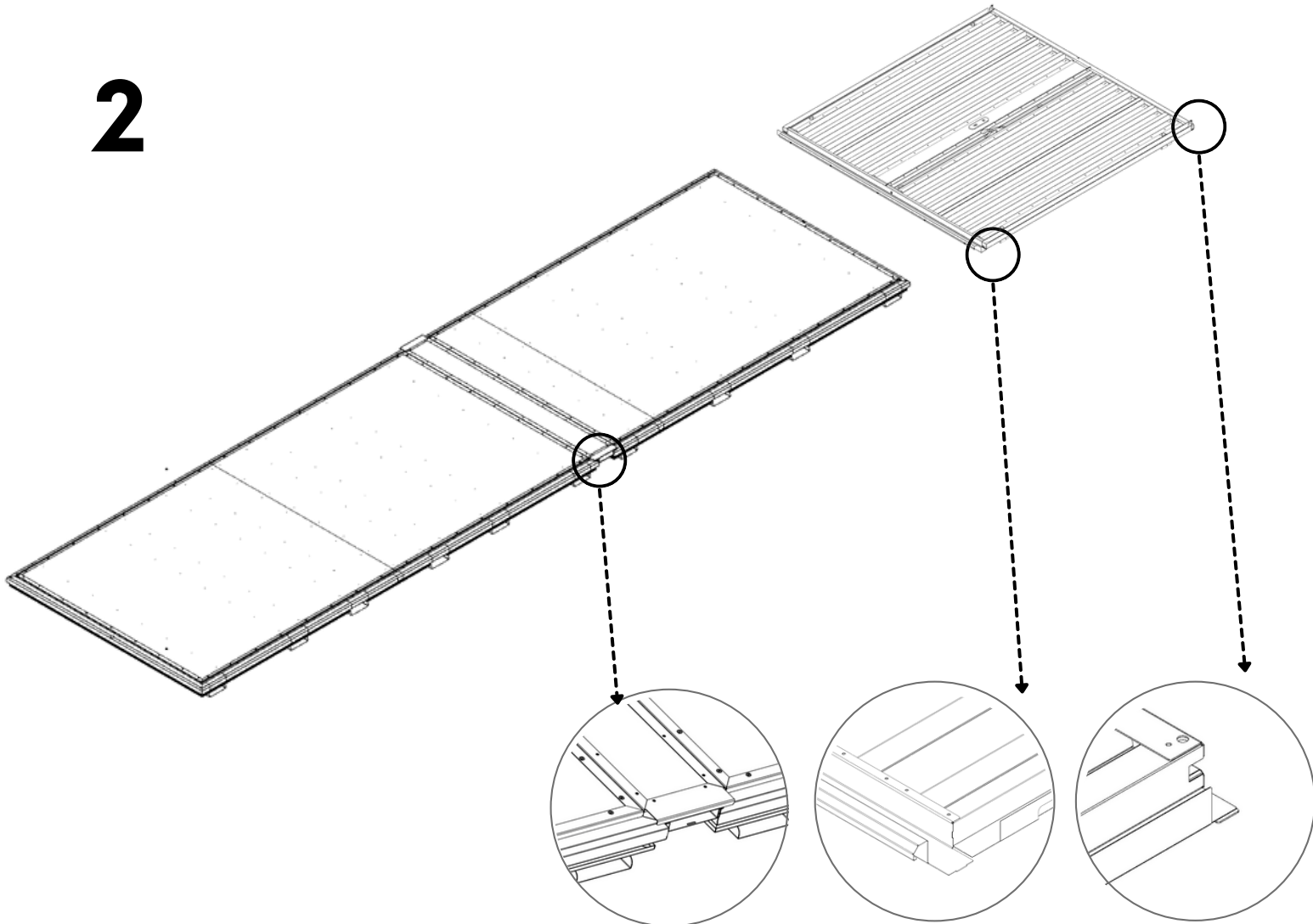
10x

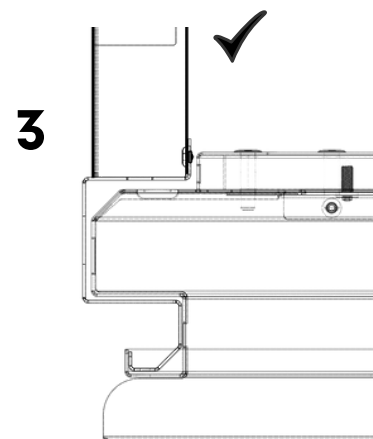
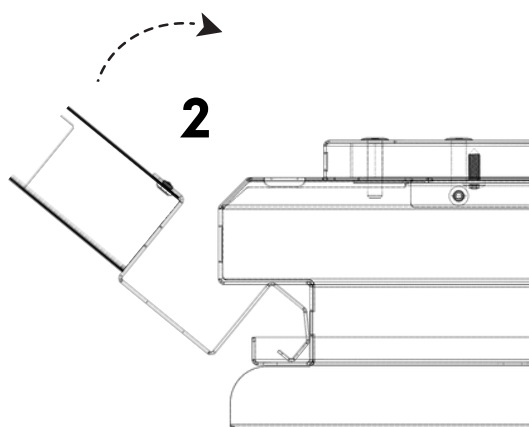
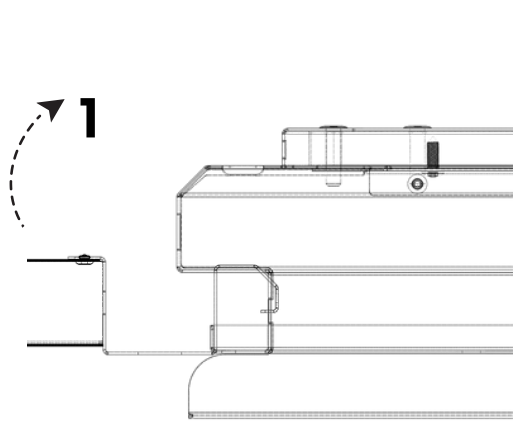


**1**

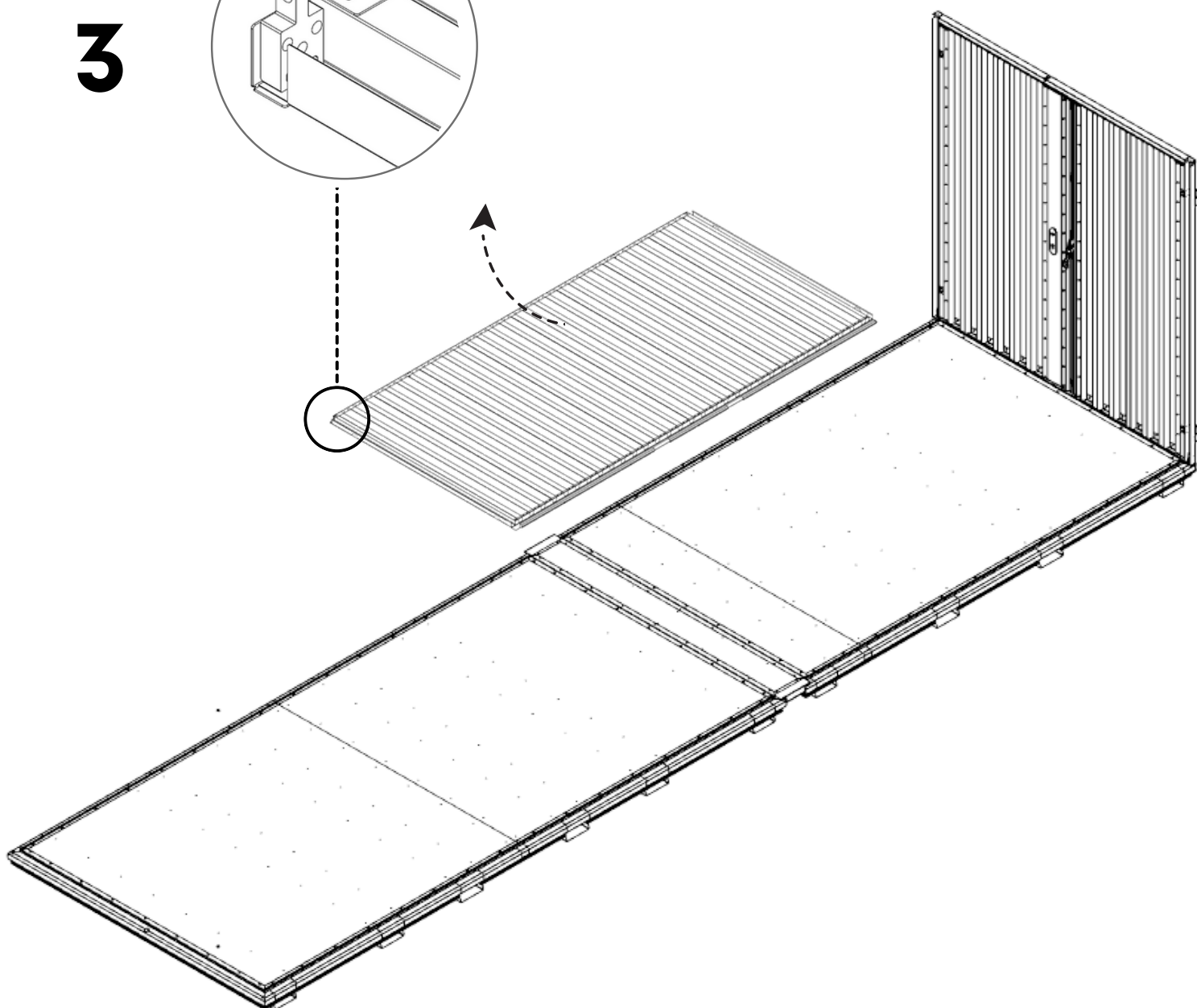
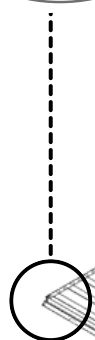
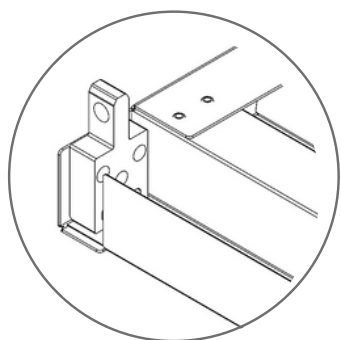


**2**

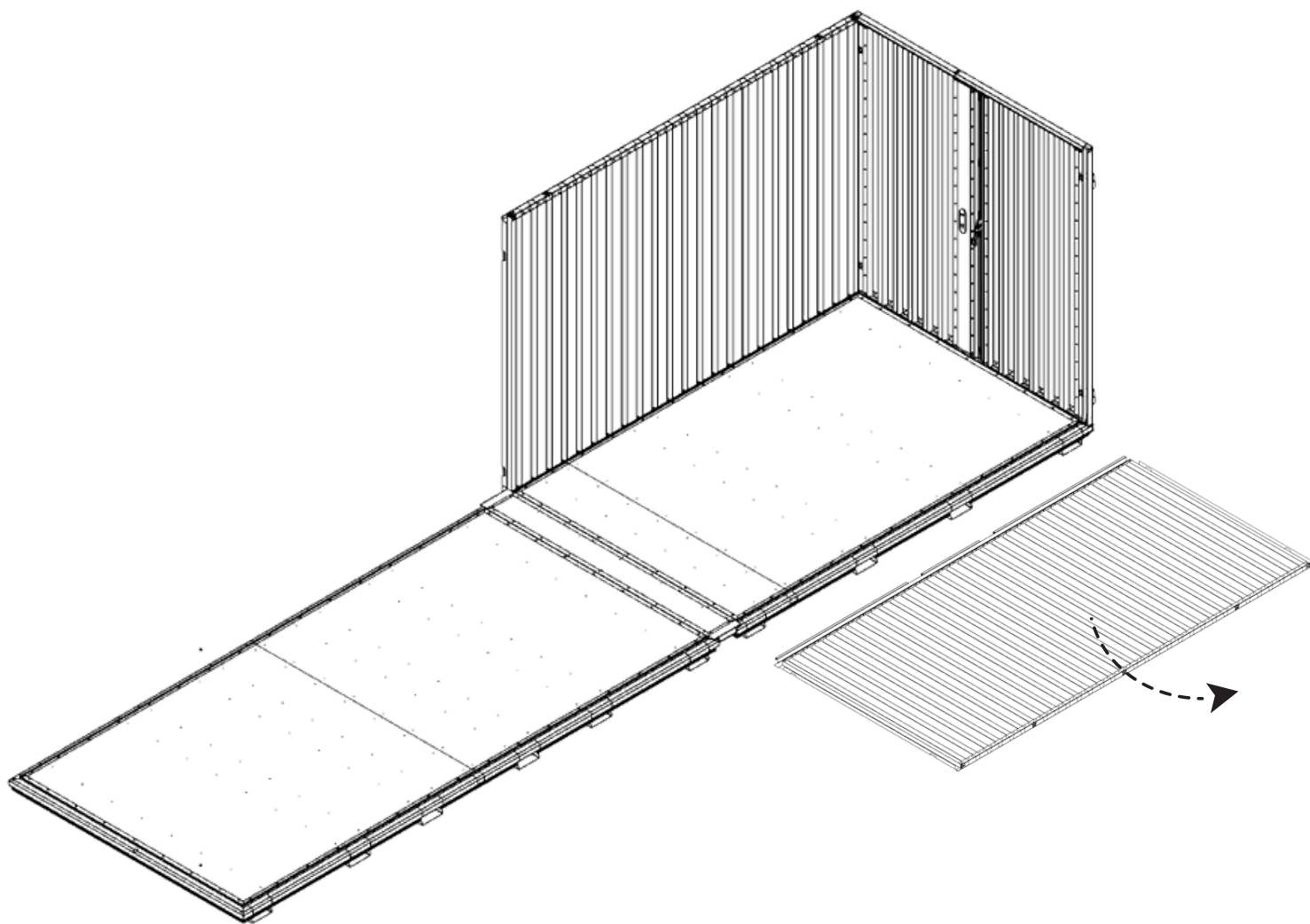




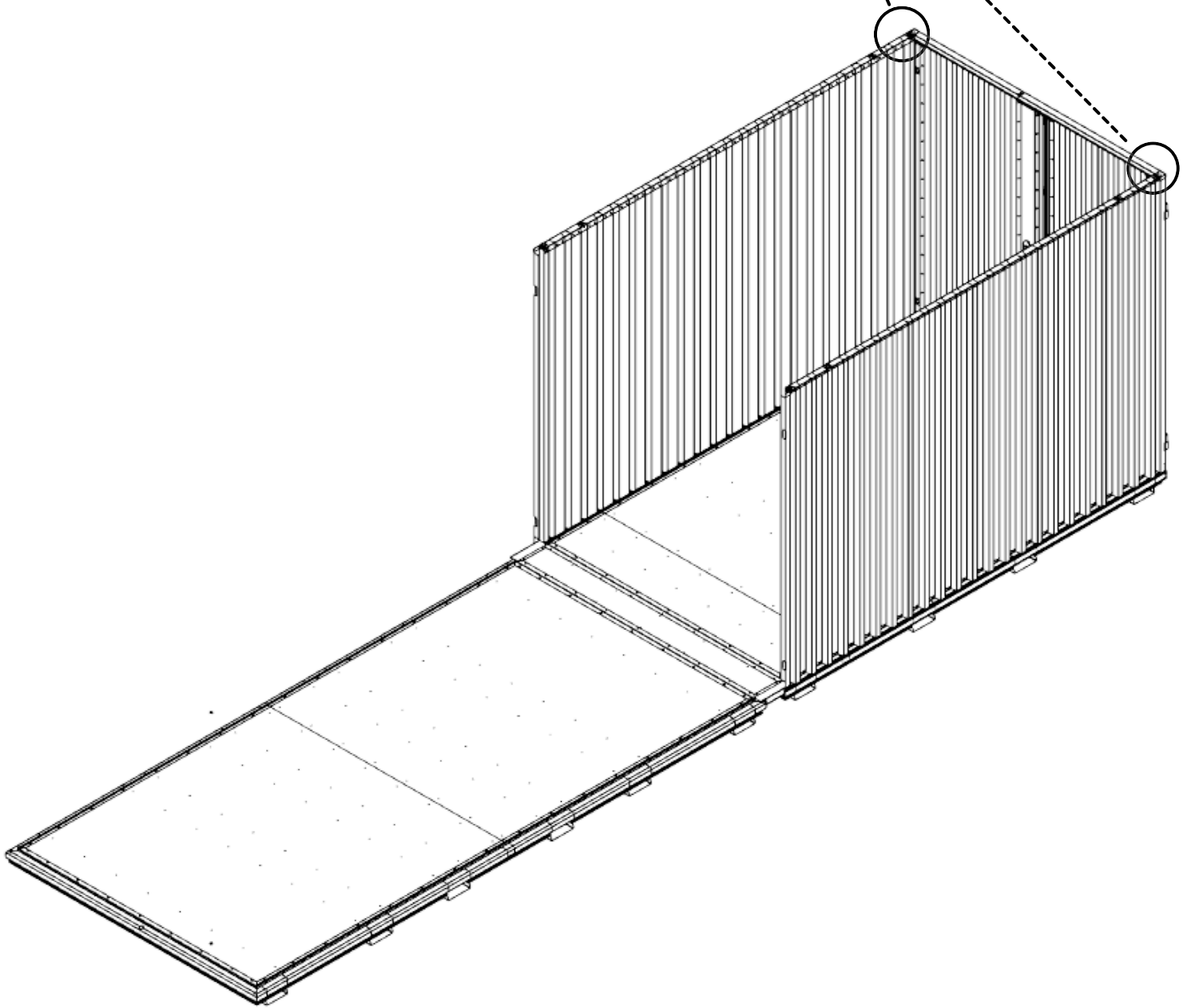
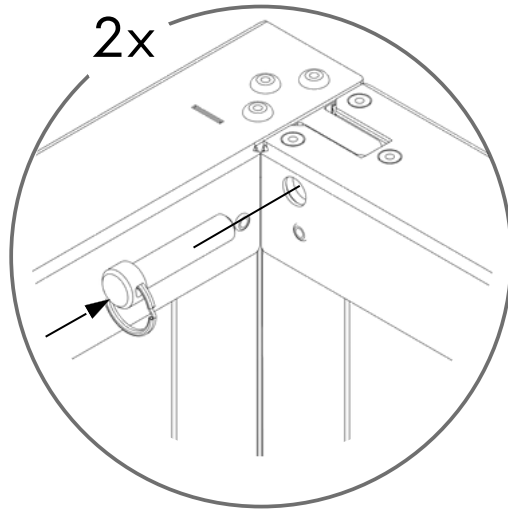
**3**



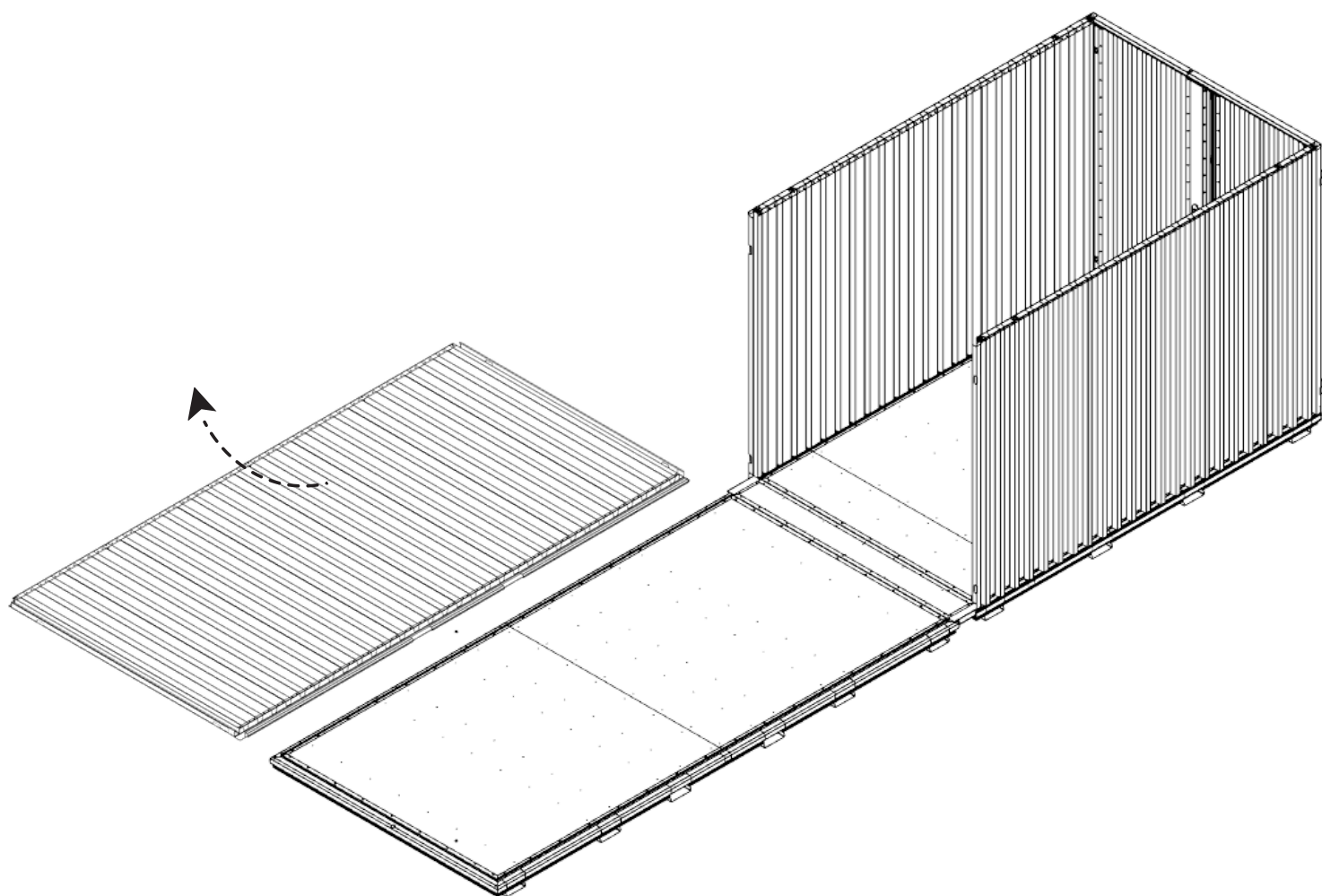
4



# 4.1

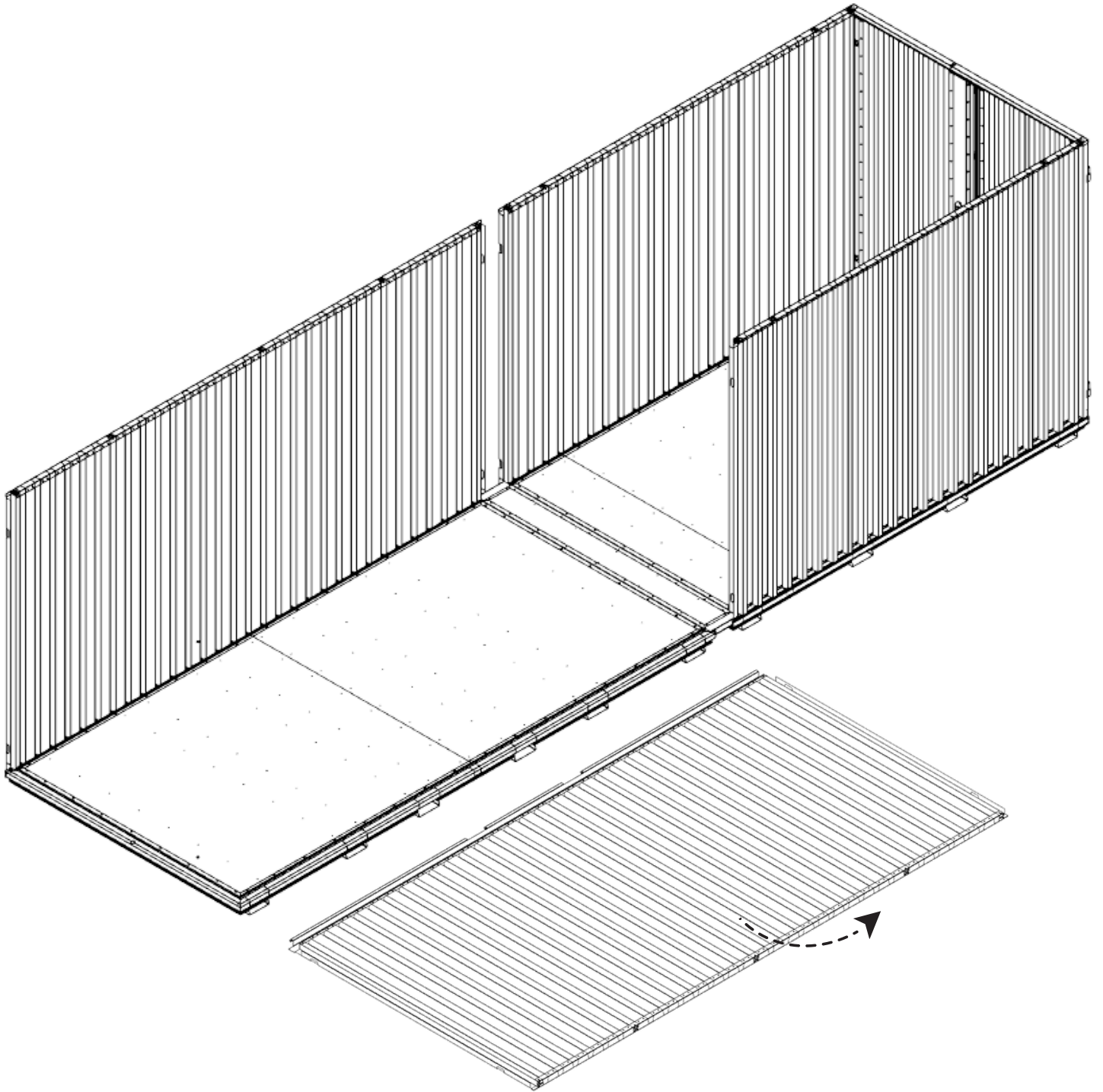


5



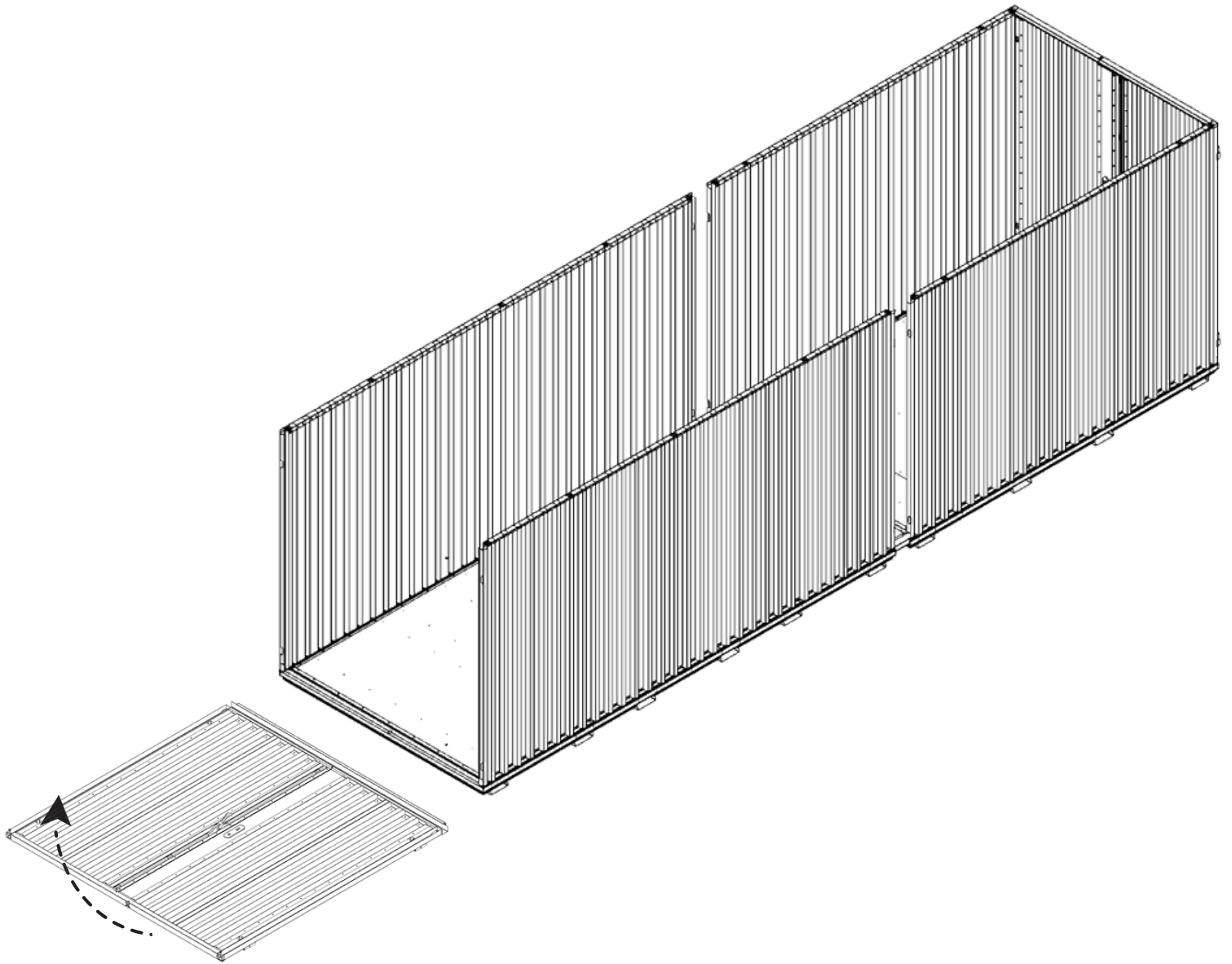


6

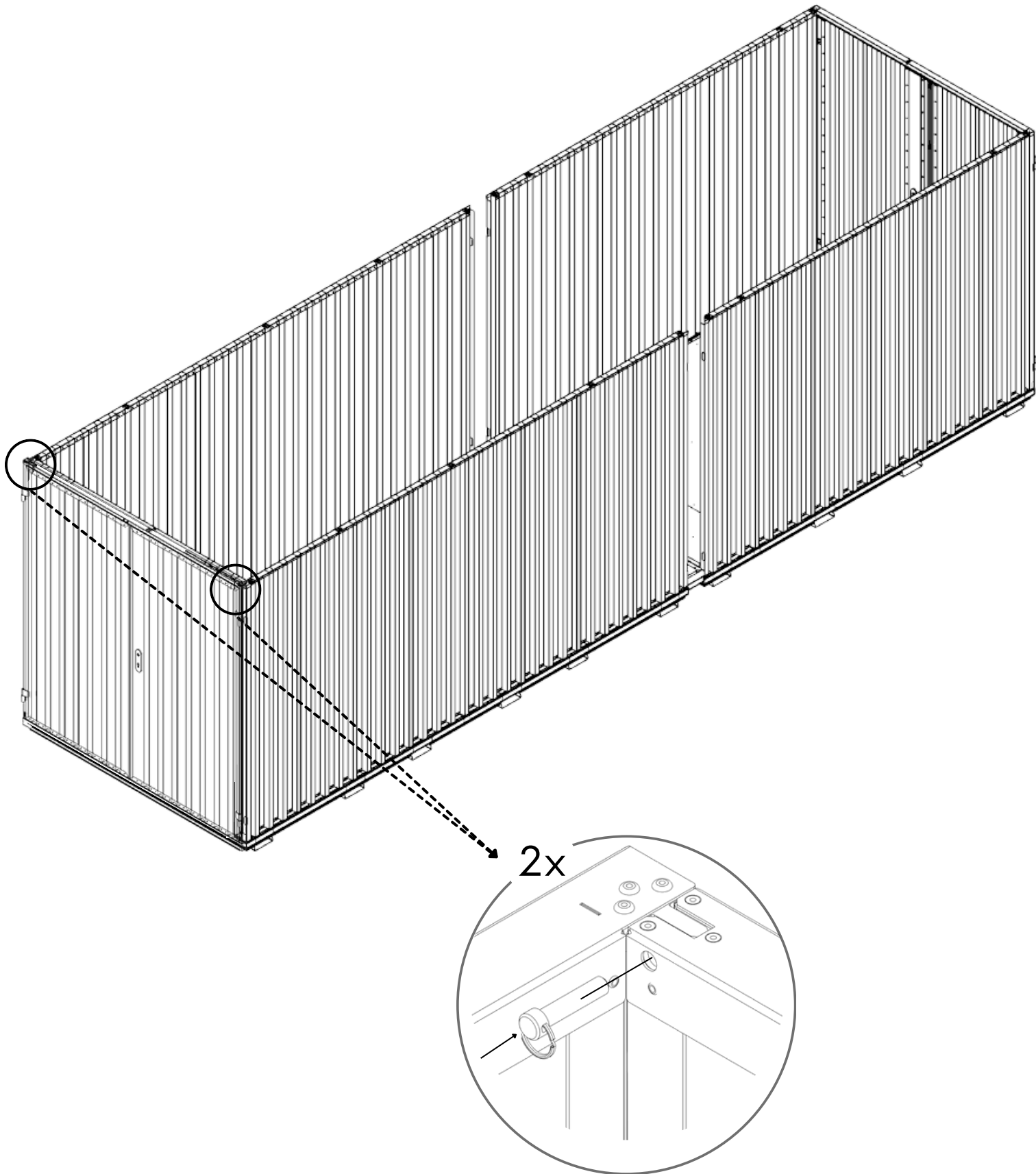




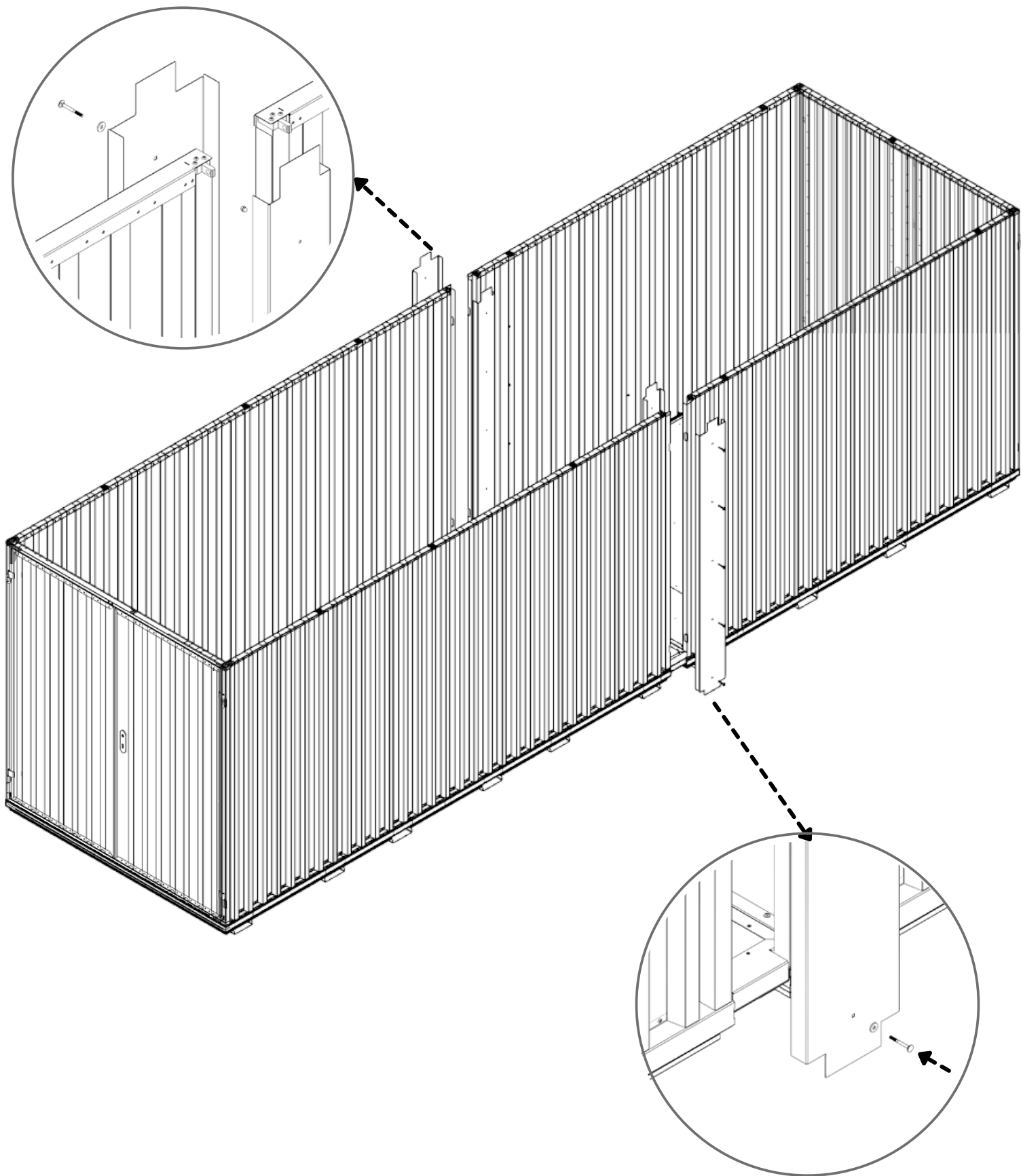
7



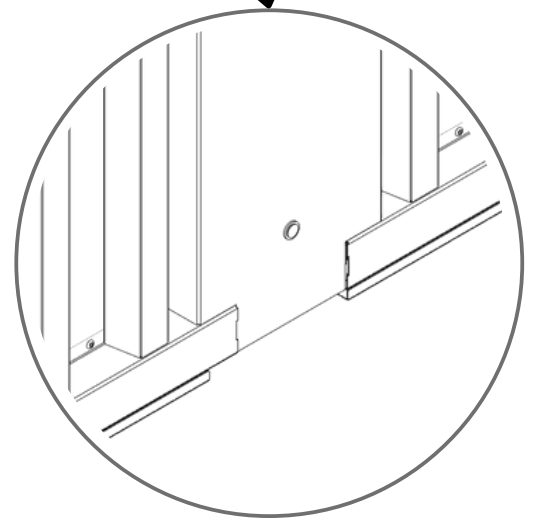
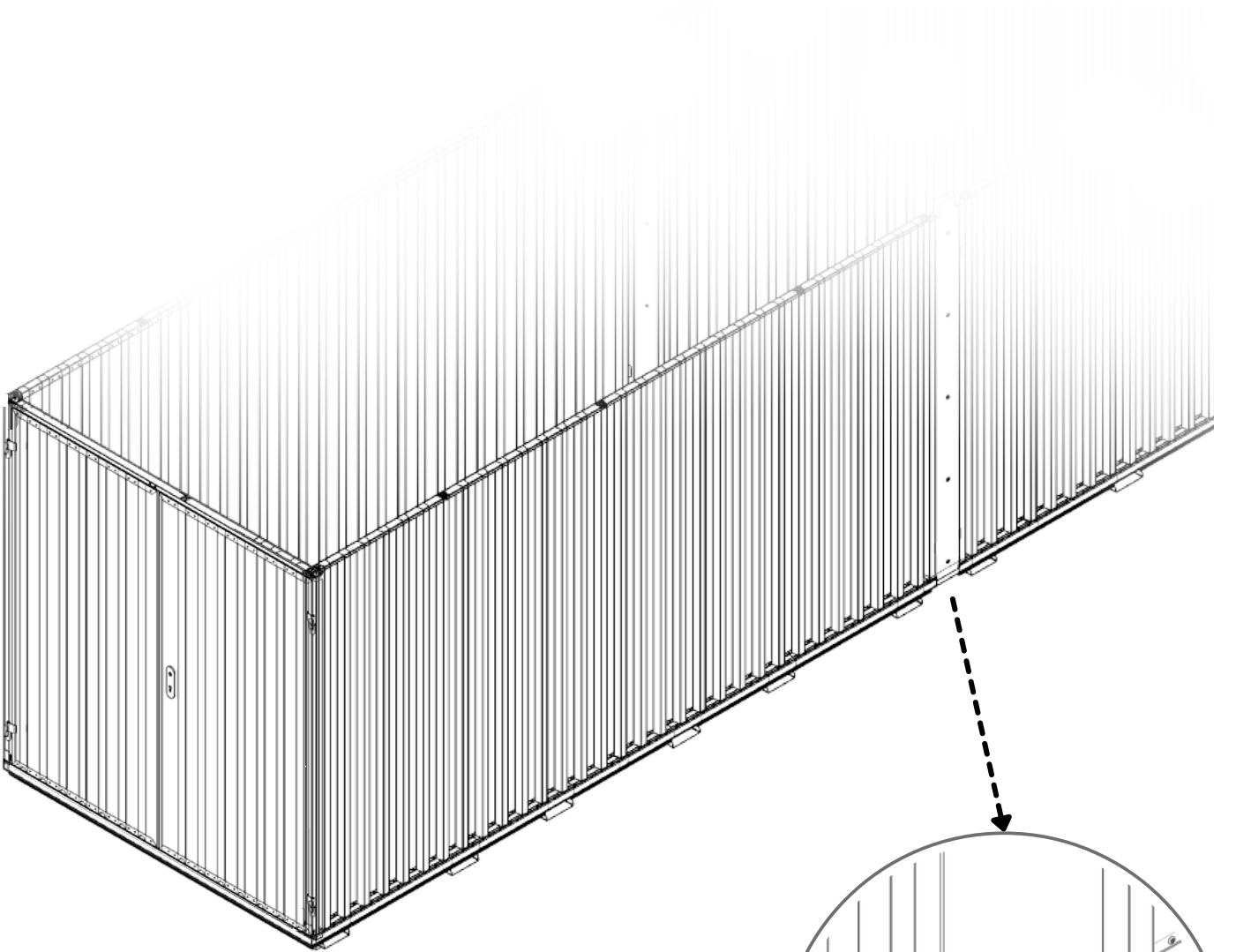
# 7.1



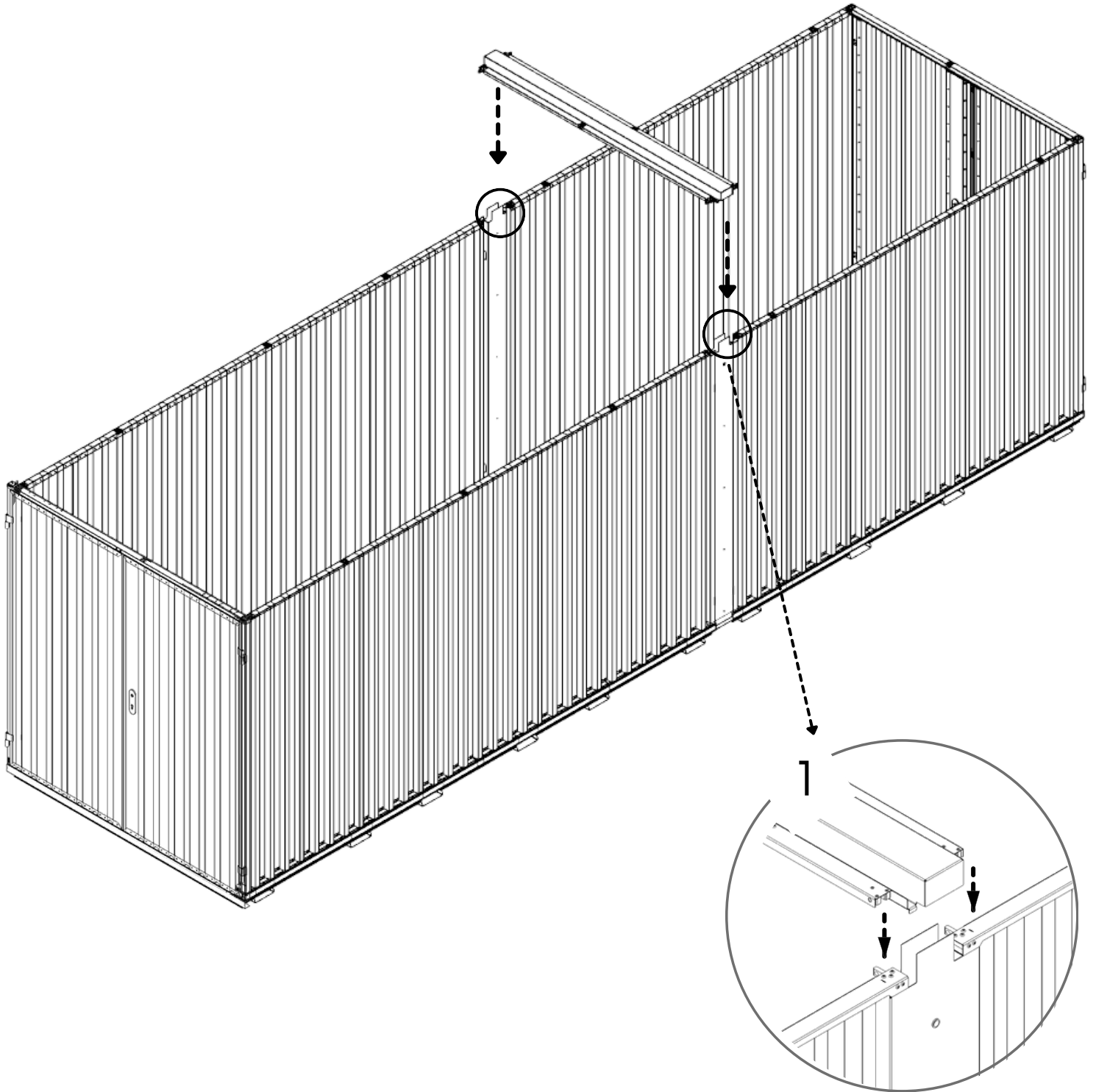
8



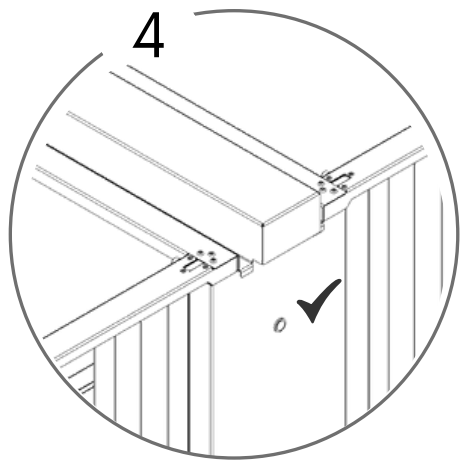
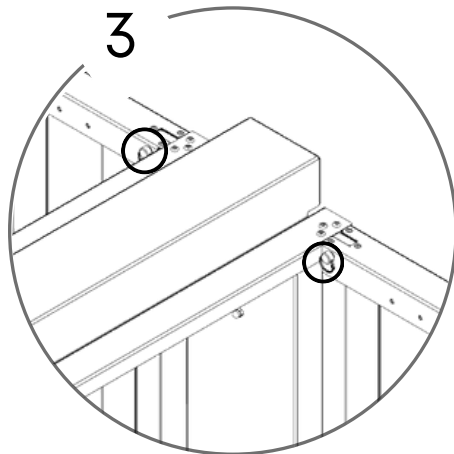
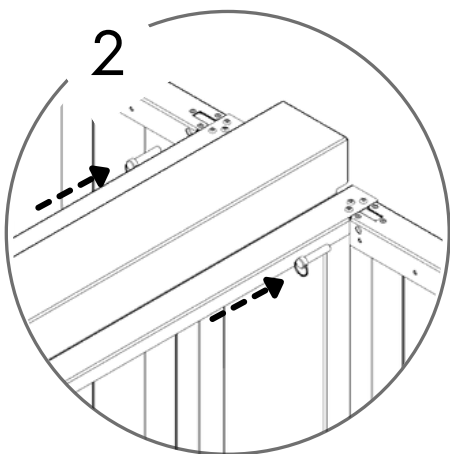
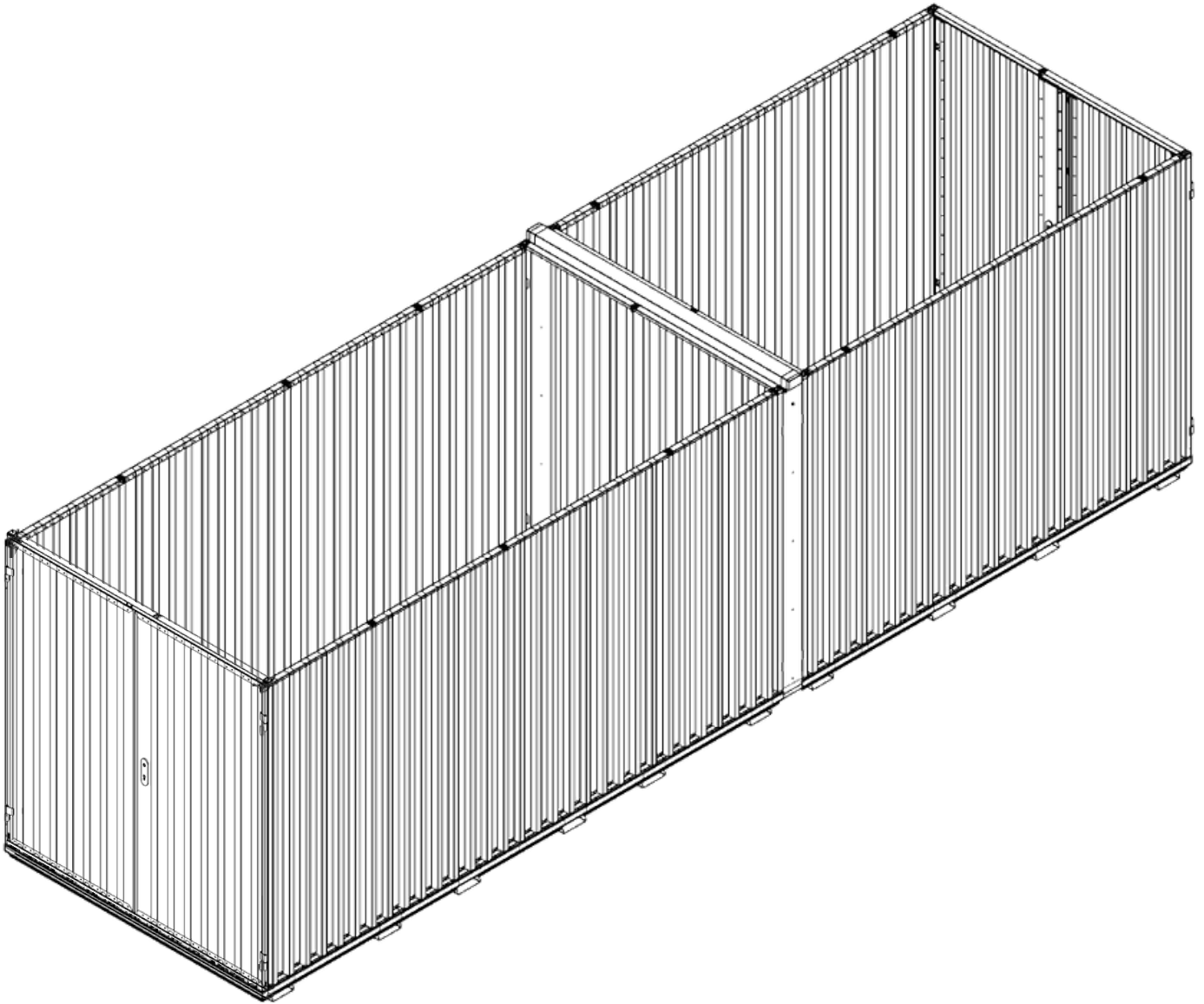
9












# 10

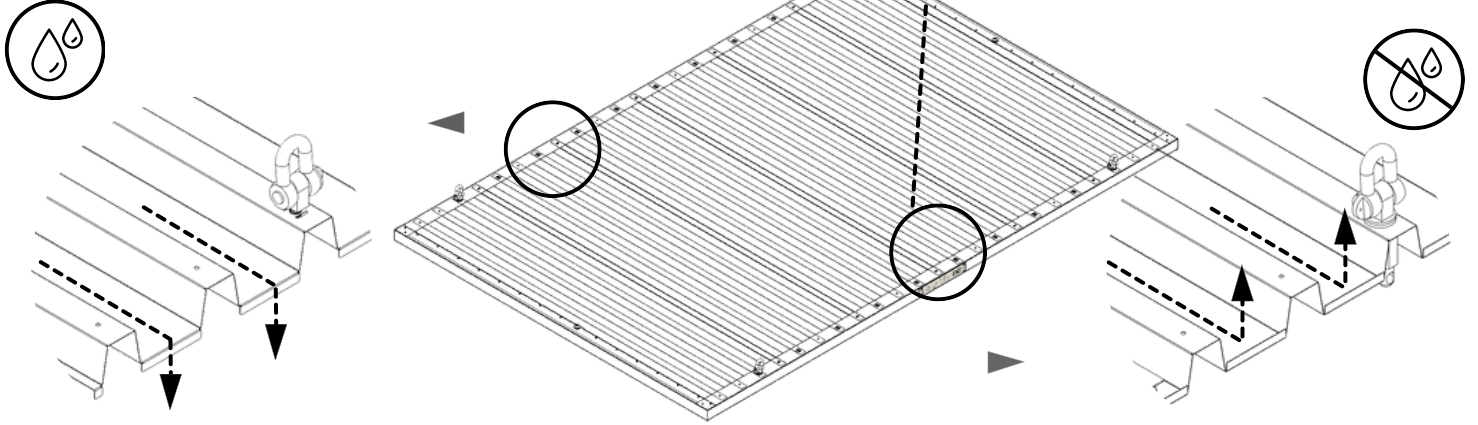


# 11

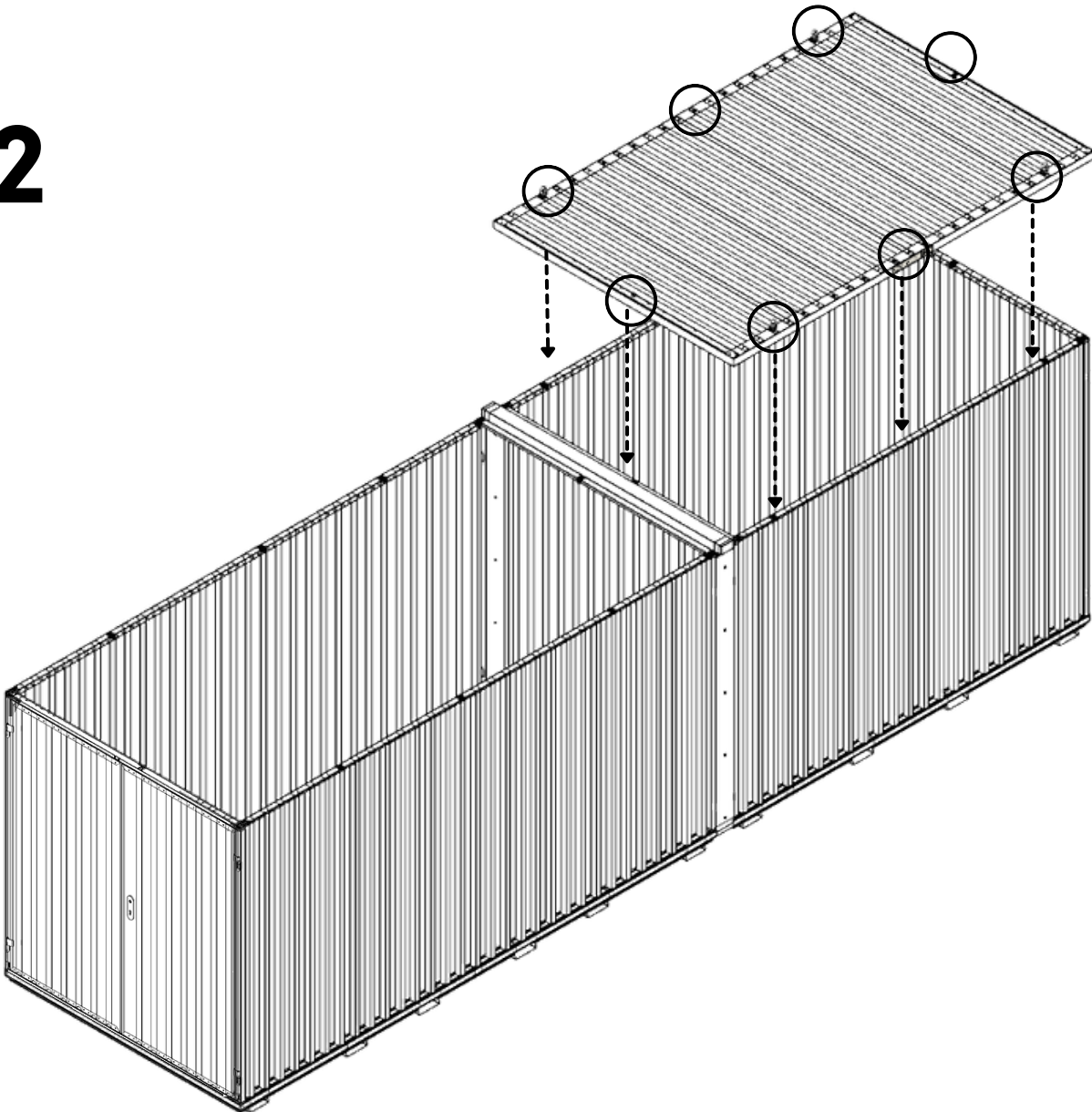




 336 KG	 3 TON	 1640 MM	Model Code: 30.110.440 Production Tracking Code: .....X09.1.30.440  9001  14001  50001	  
---	--	--	--	---

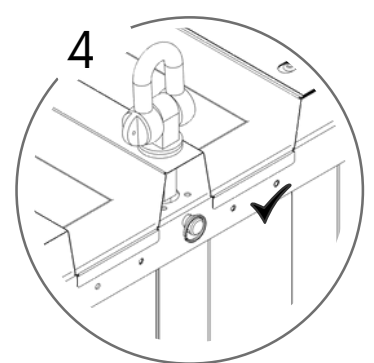
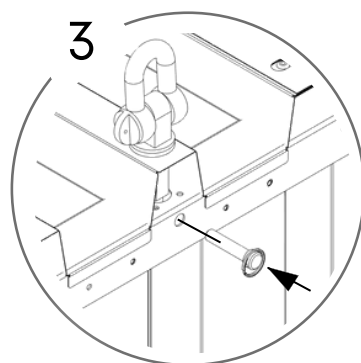
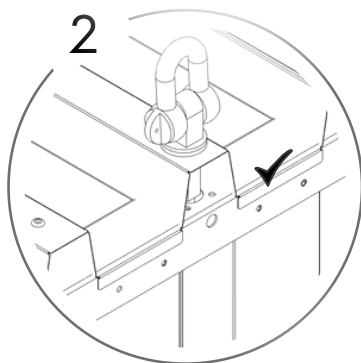
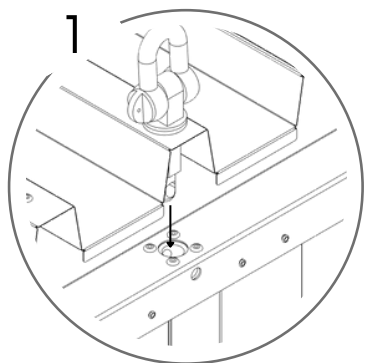
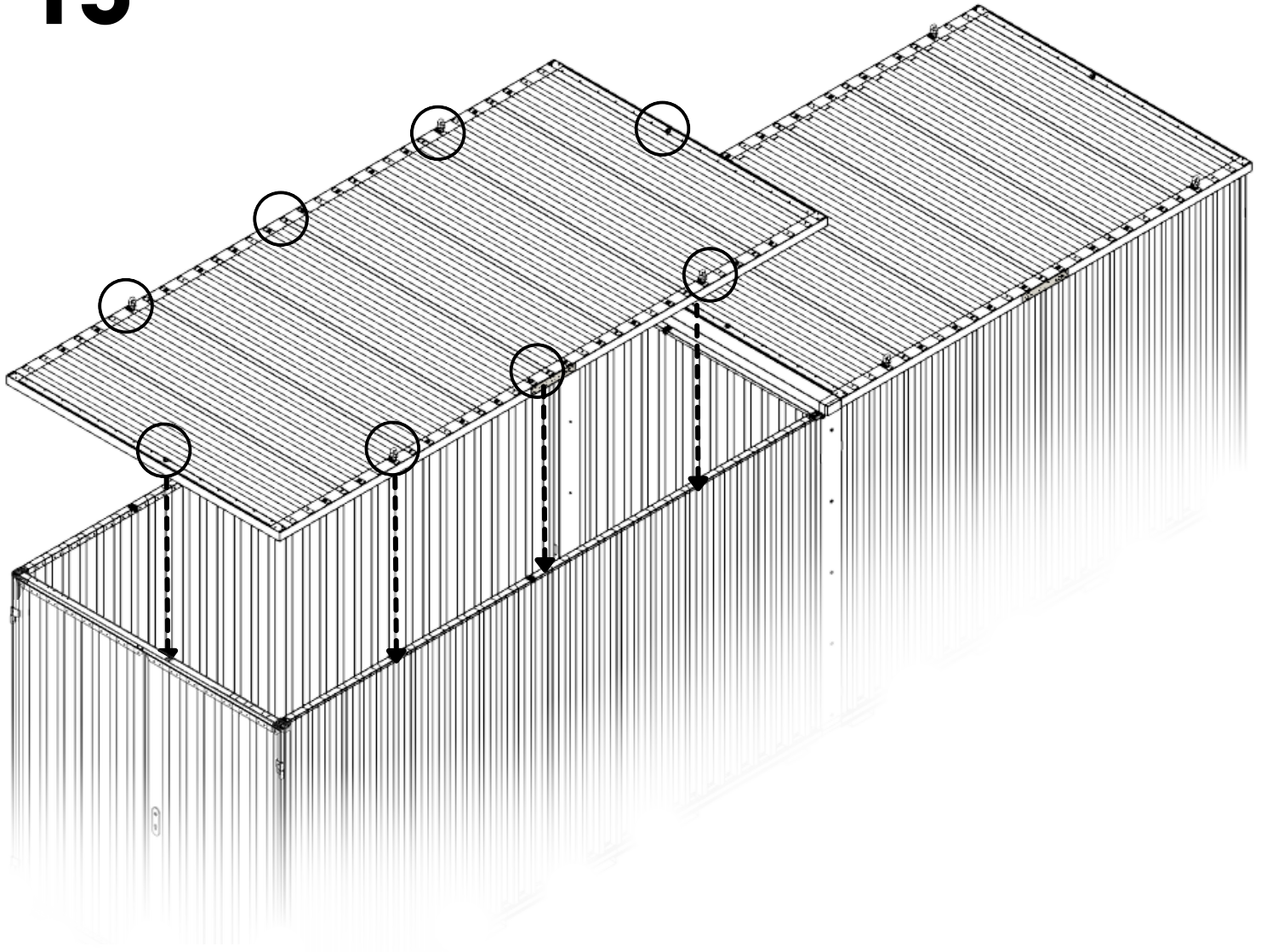


12





# 13



# 14

