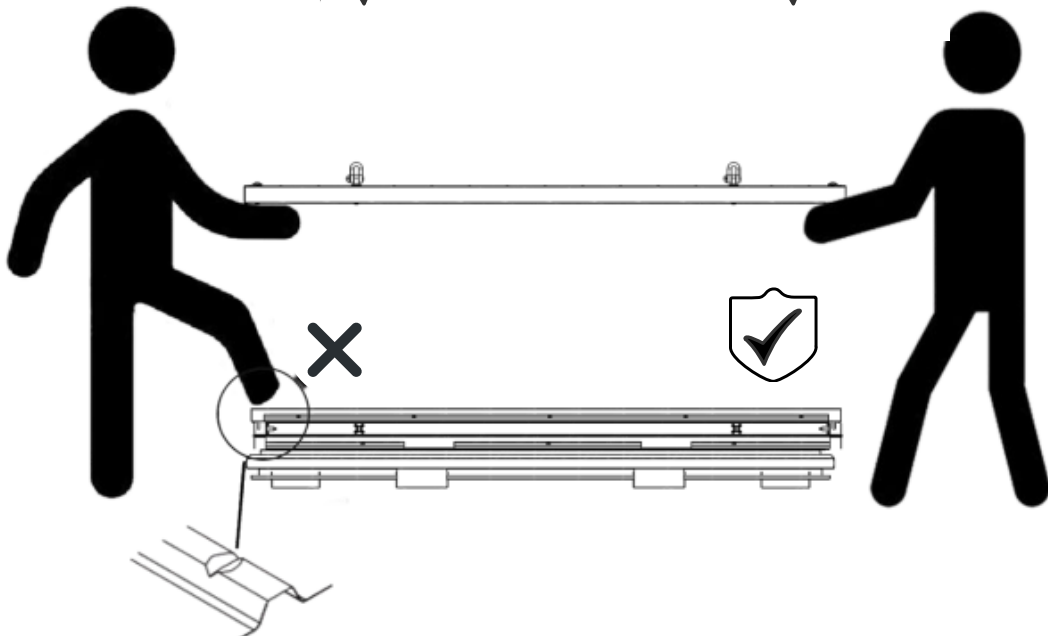
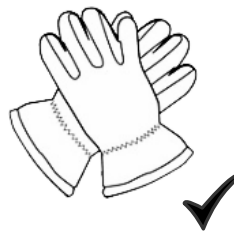
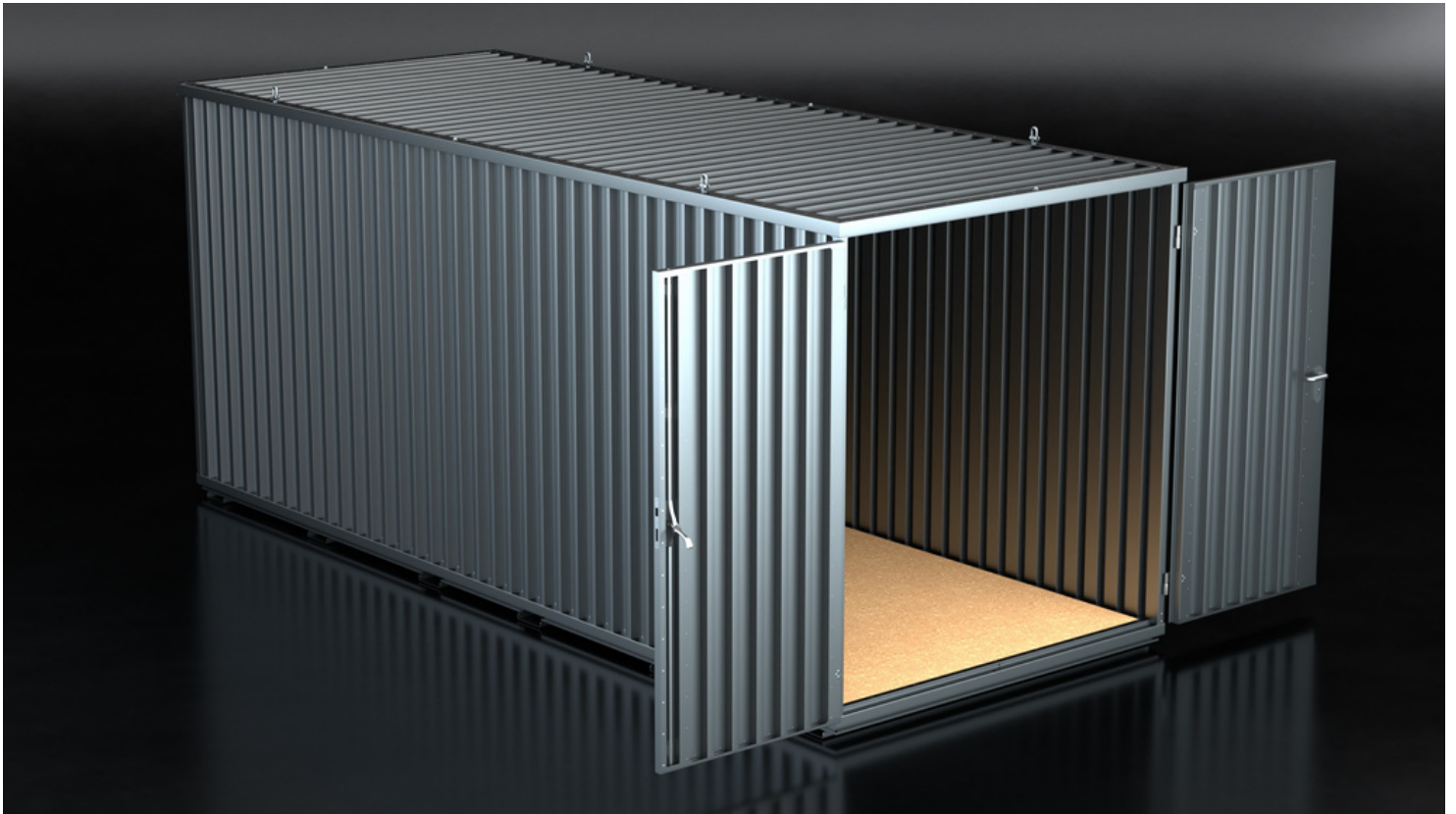


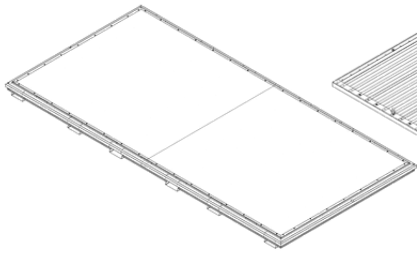
PRODUCT CODE:50.110.330

prefabase
Quick Build Solutions

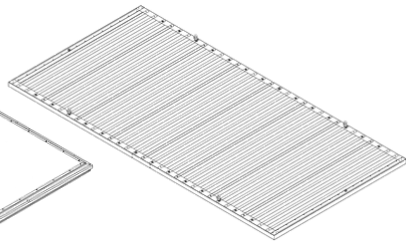
Instructions and User Guide



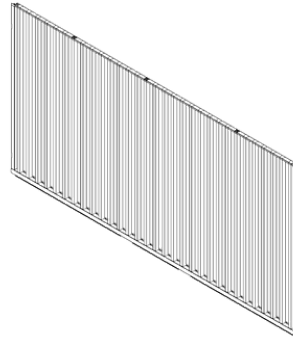
50.0110
1x



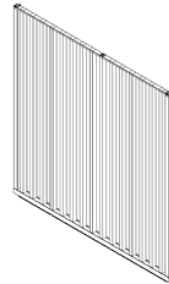
50.0510
1x



50.0410
2x



0310
1x



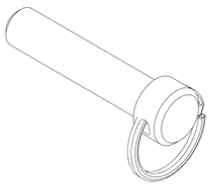
0330
1x



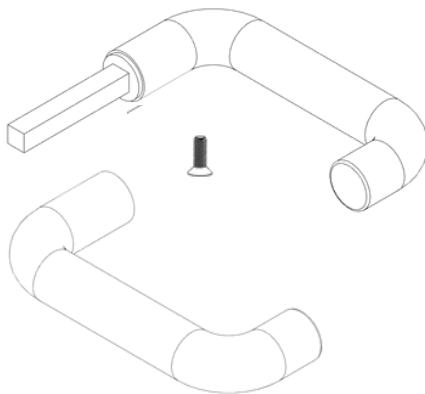
61.101
2x



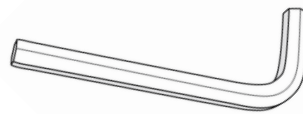
12x



1x



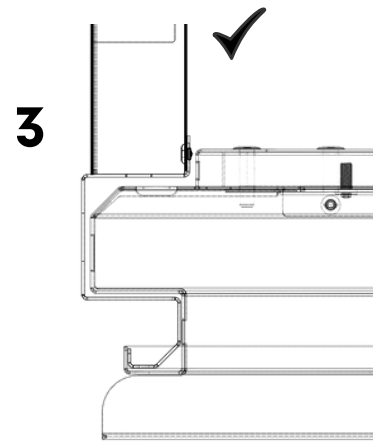
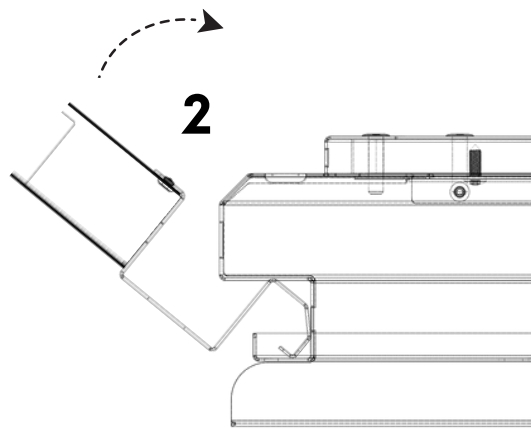
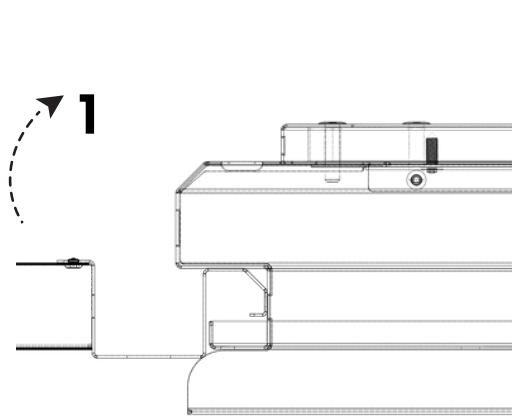
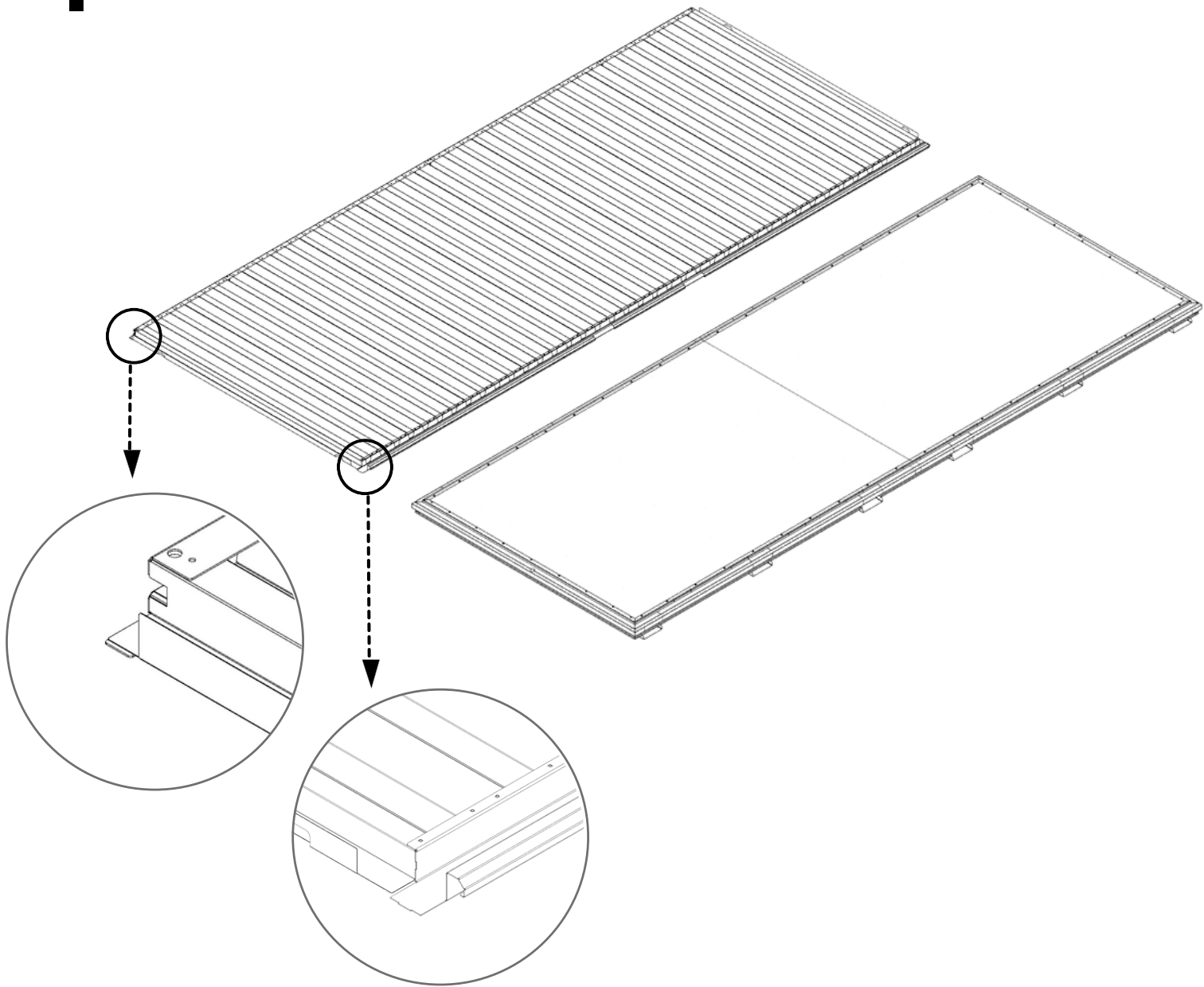
1x



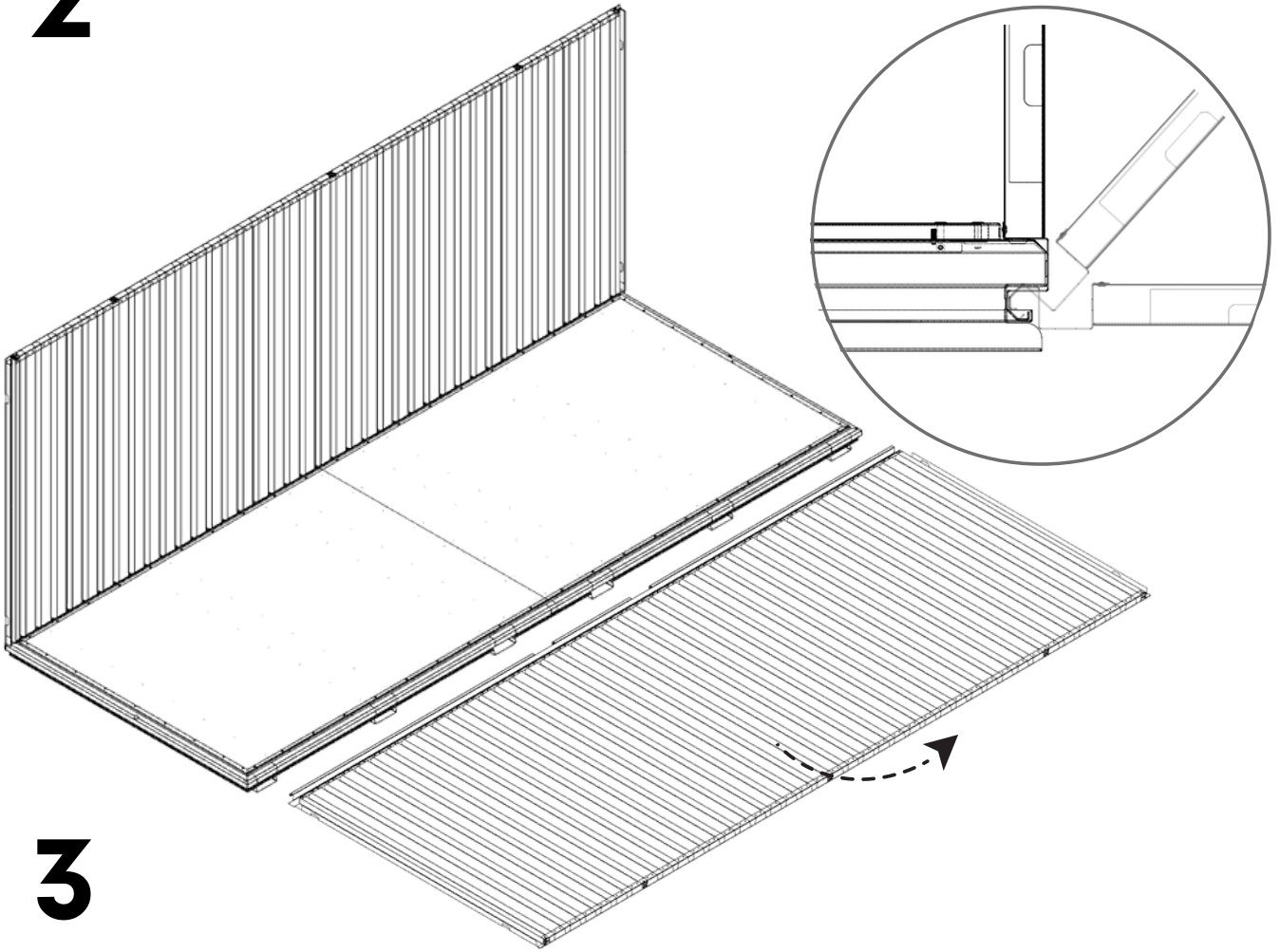
1x



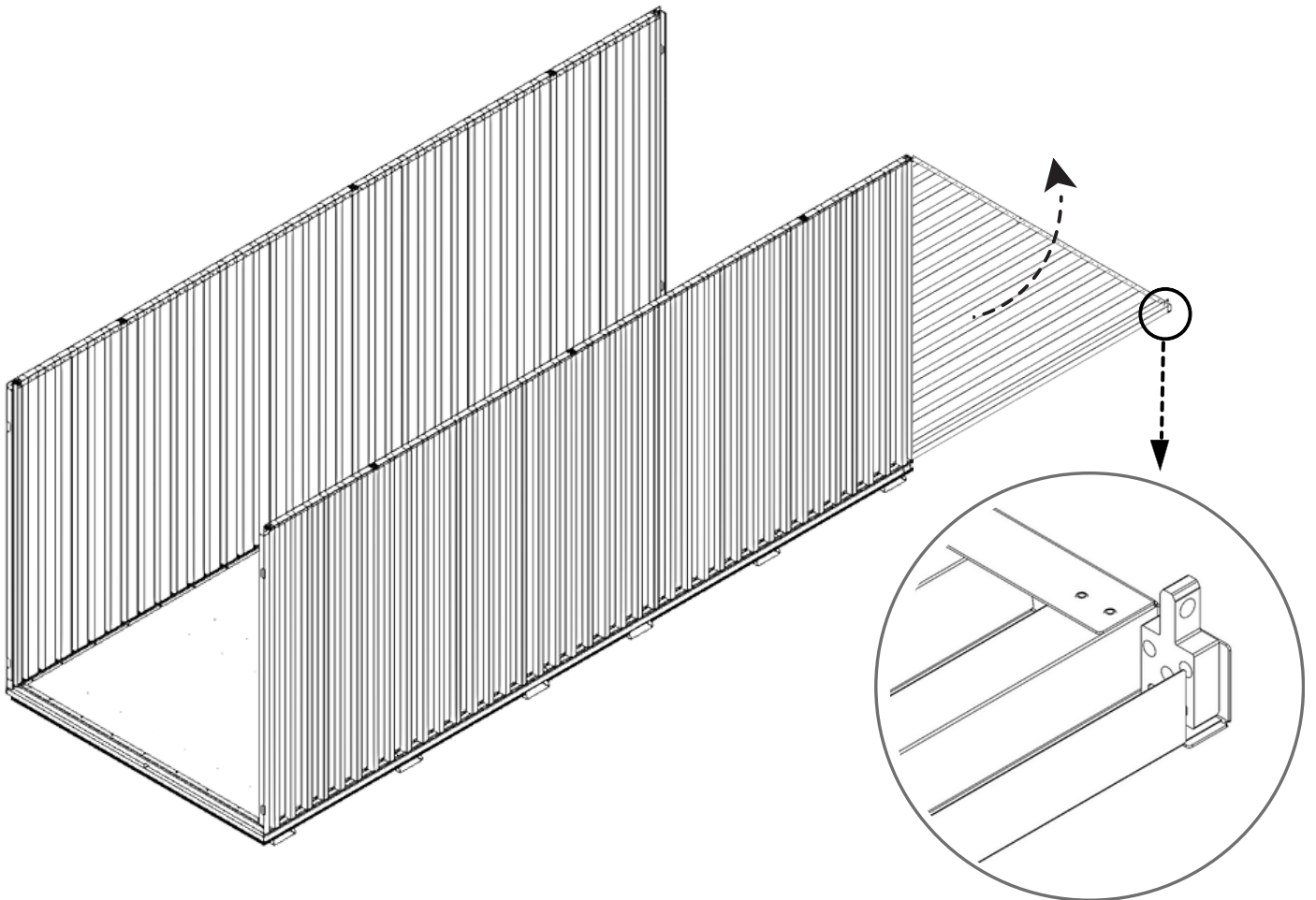
1



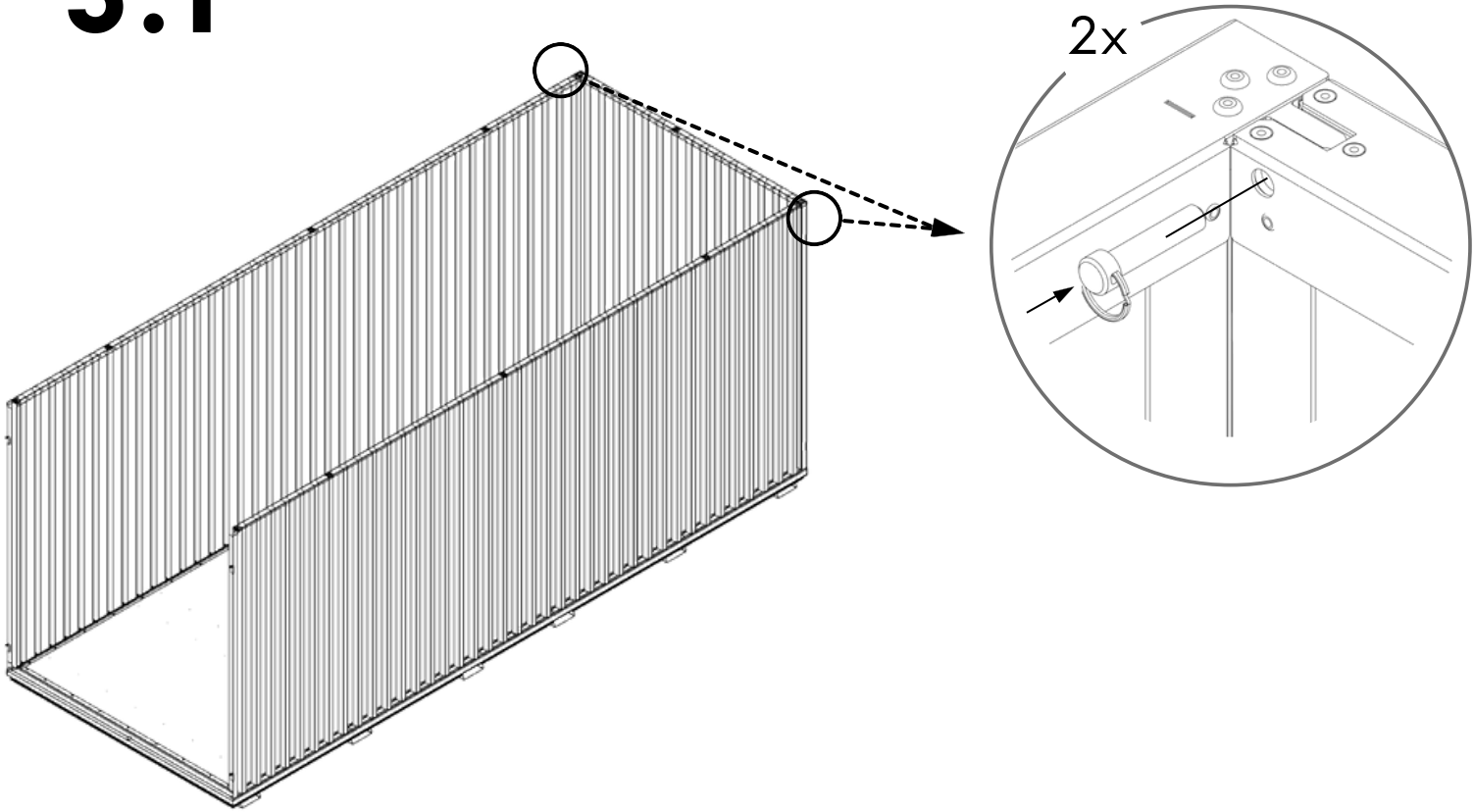
2



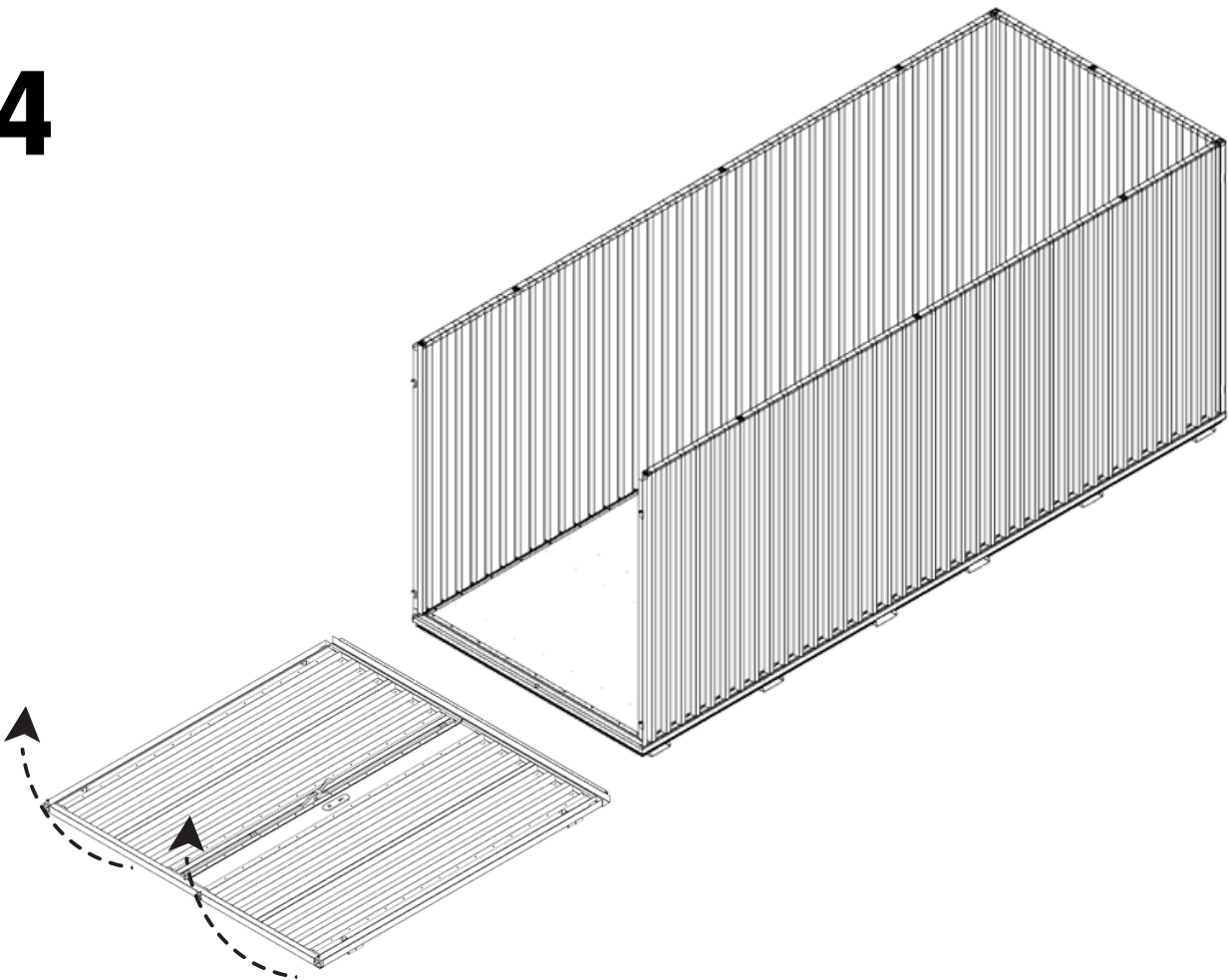
3



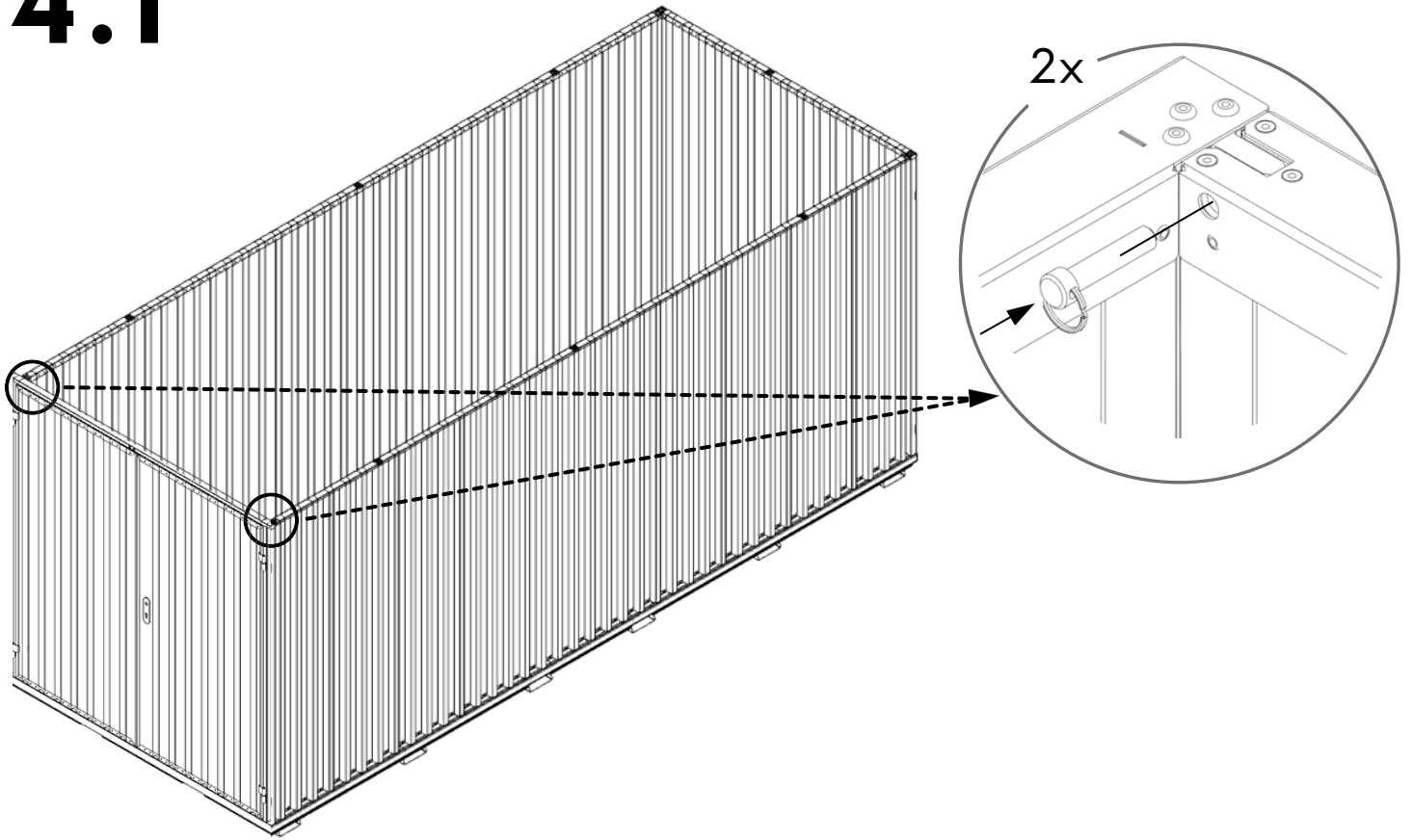
3.1











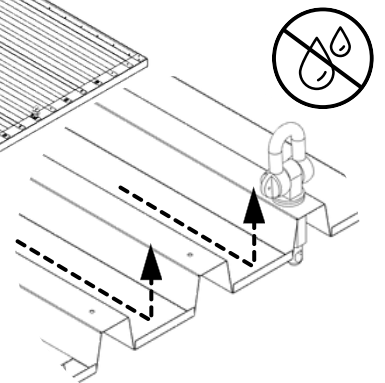
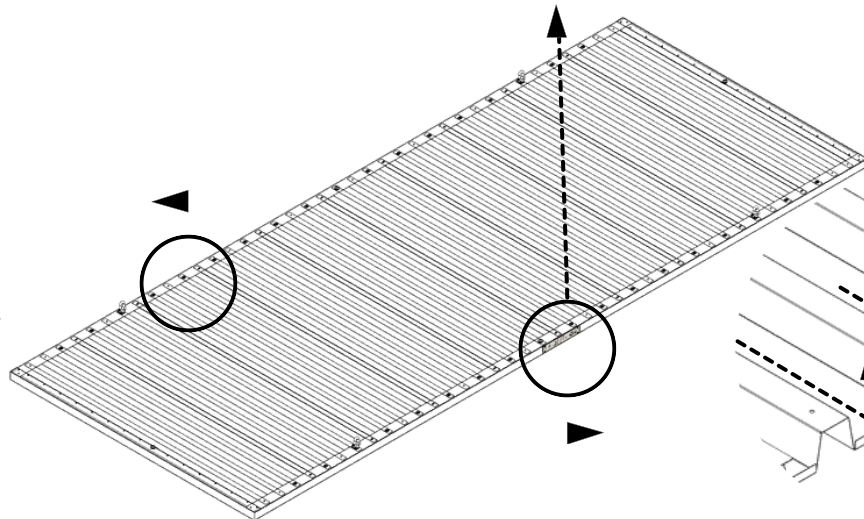
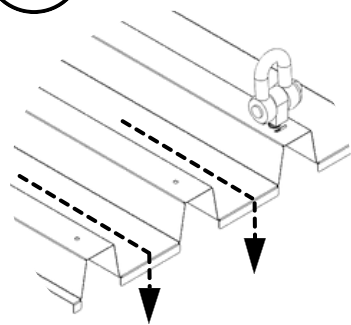
4



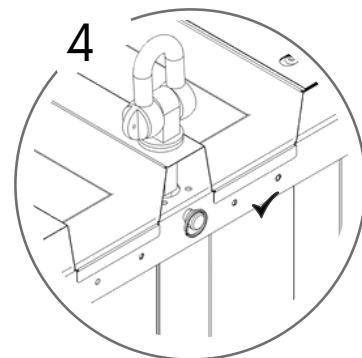
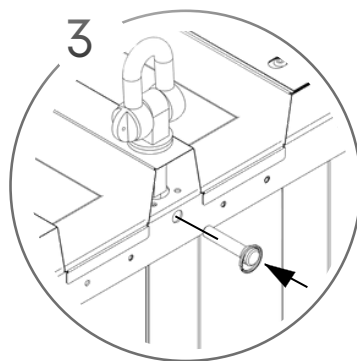
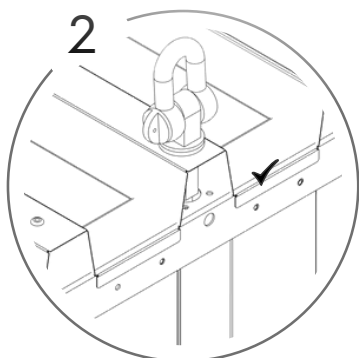
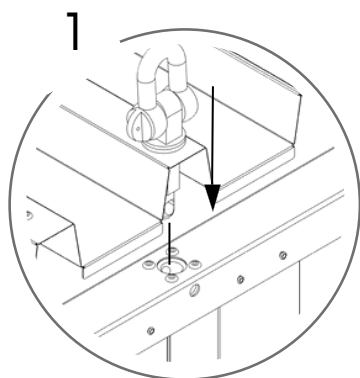
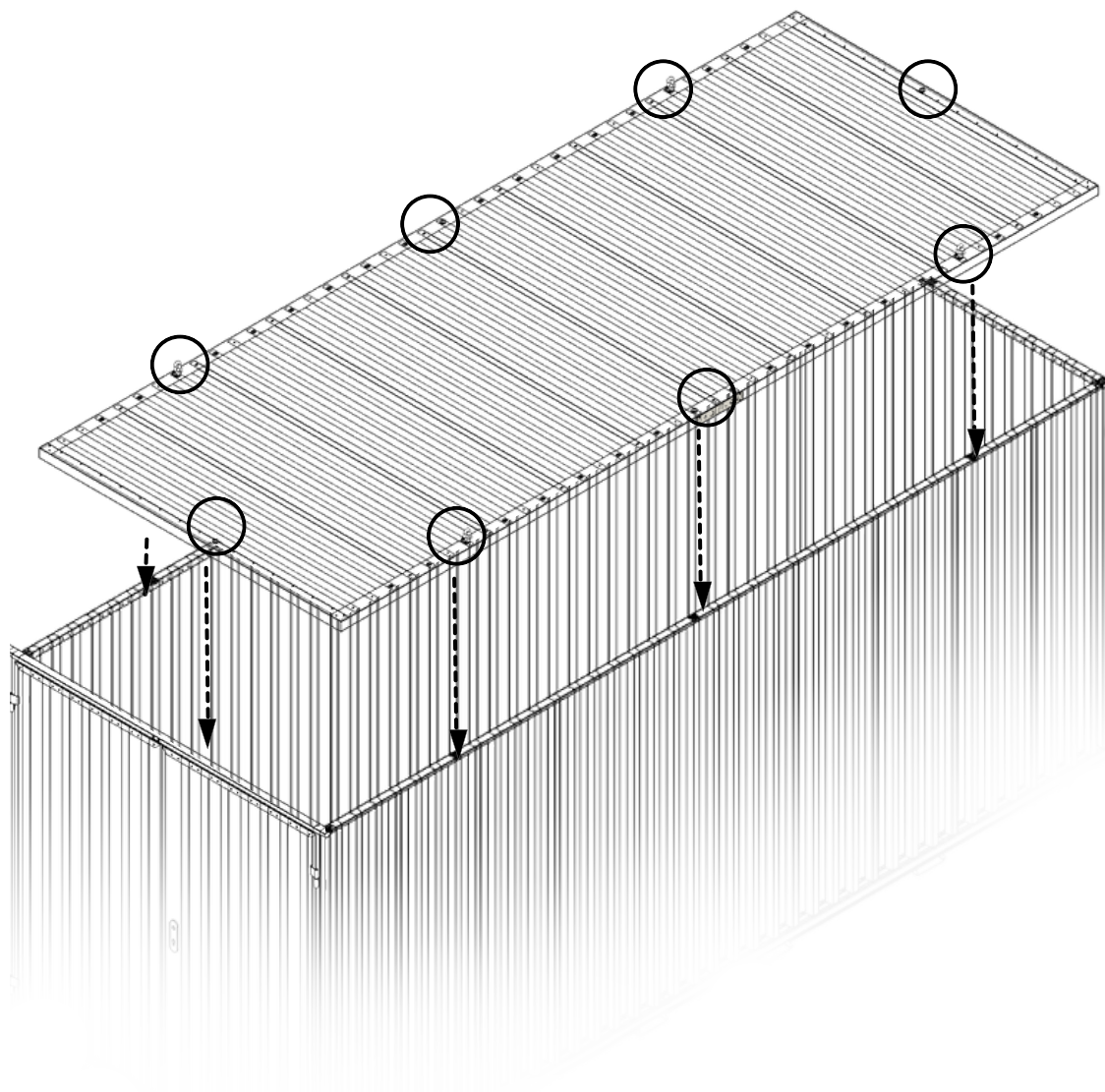
4.1



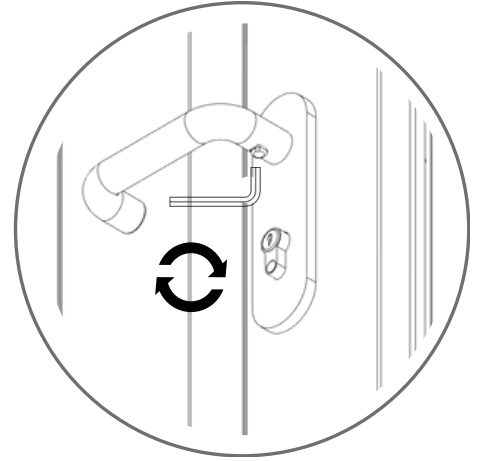
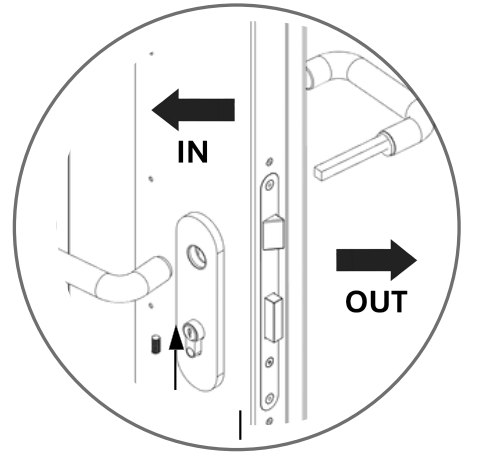
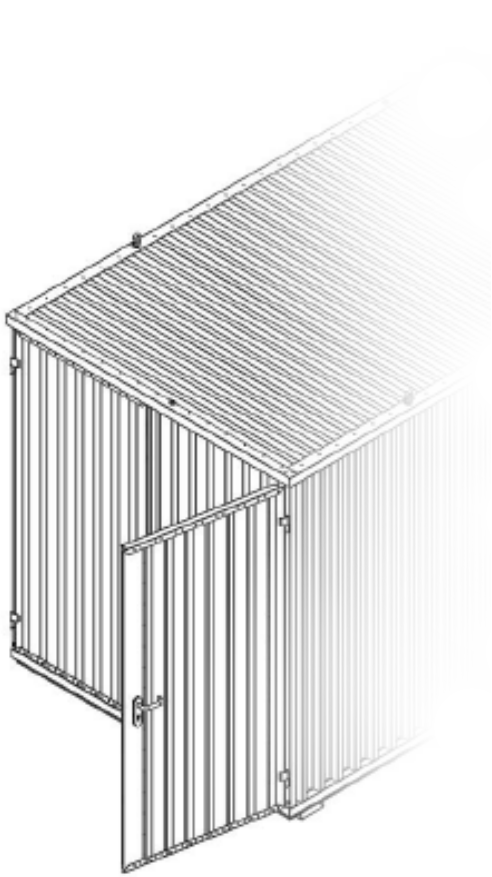
 499 KG	 1640 MM	Model Code: 50.110.330 Production Tracking Code:/X09.1.50.330    9001 14001 50001	 	
---	--	--	---	---



5



6



7

