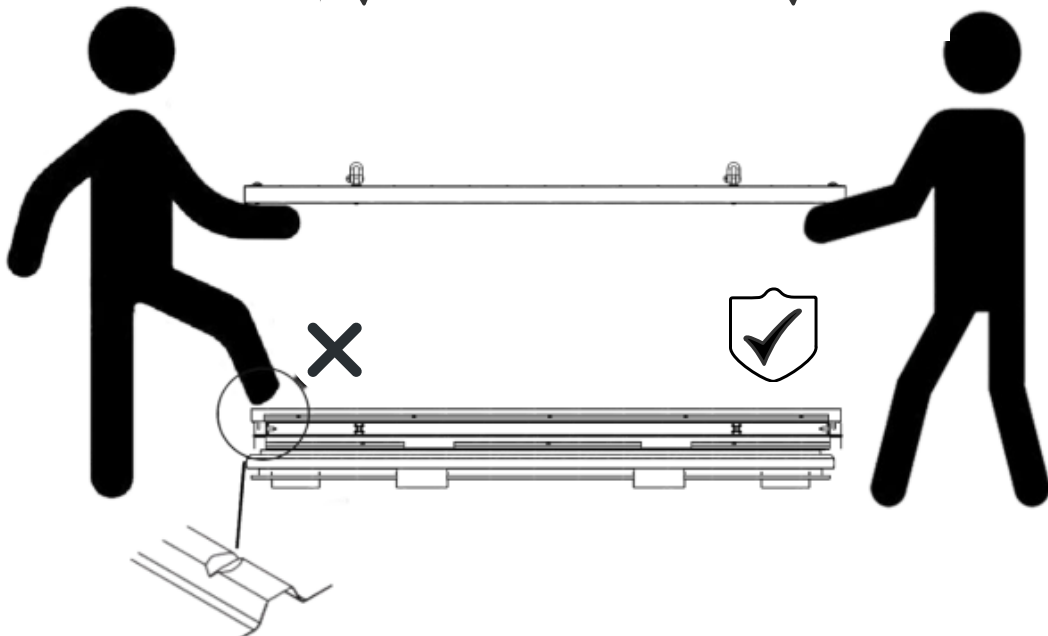
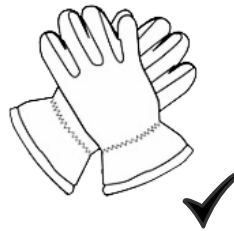
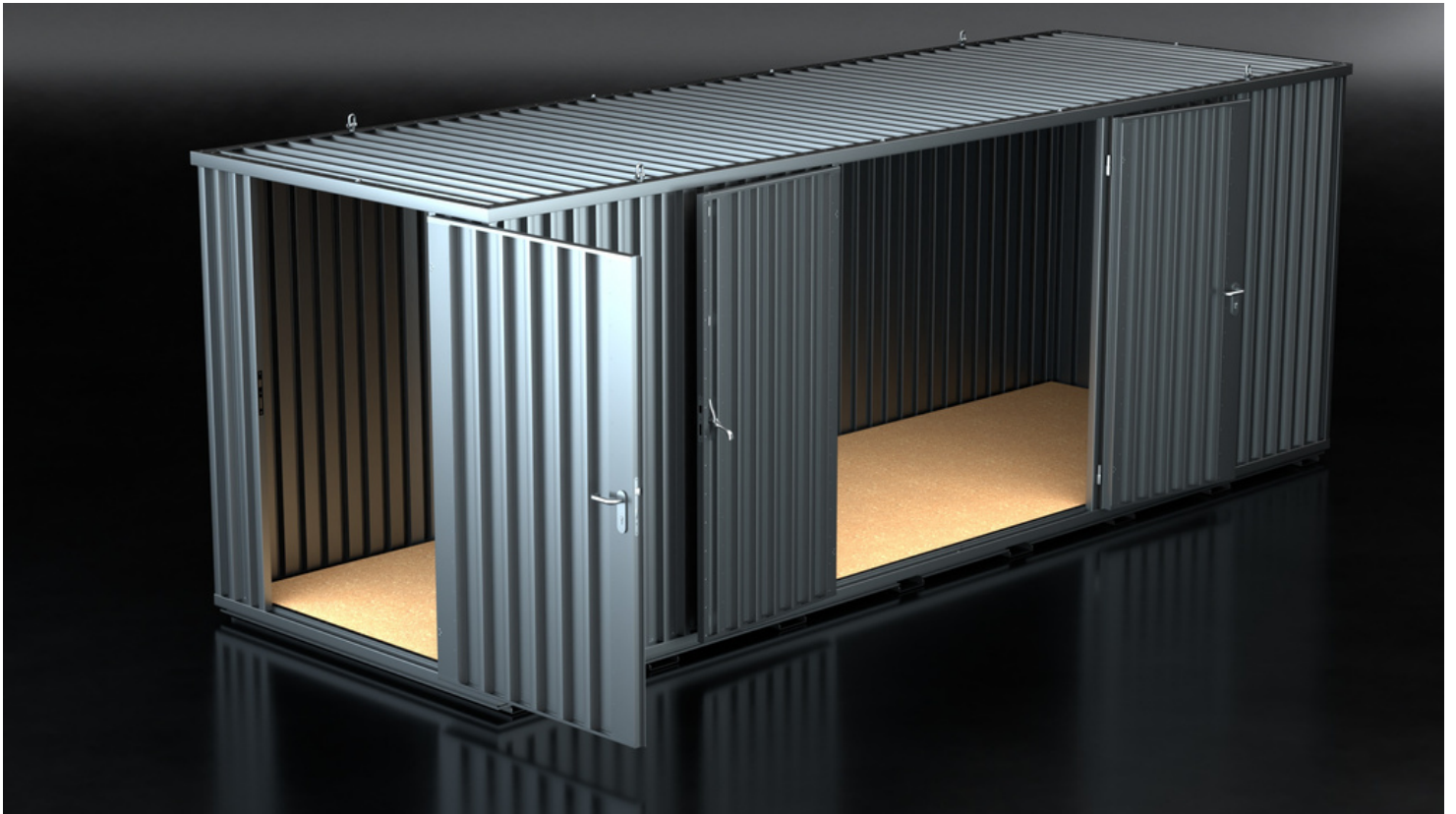


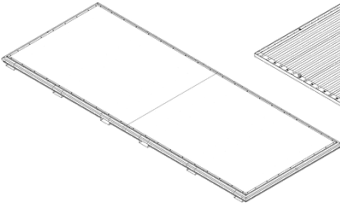
PRODUCT CODE:60.110.430.320

prefabase
Quick Build Solutions

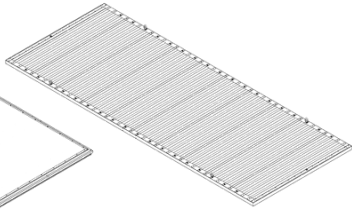
Instructions and User Guide



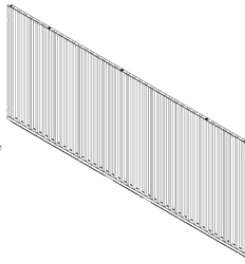
60.0110
1x



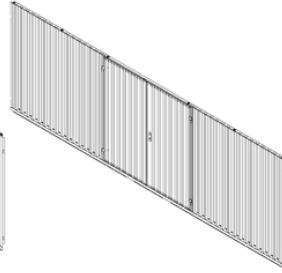
60.0510
1x



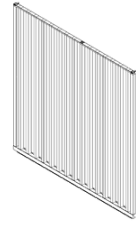
60.0410
1x



60.0430
1x



0310
1x



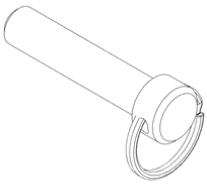
0320
1x



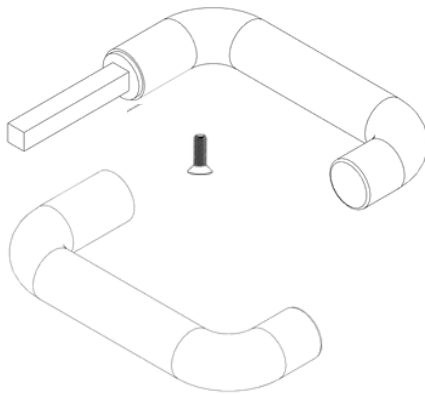
61.101
4x



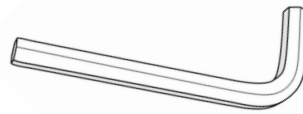
14x



2x



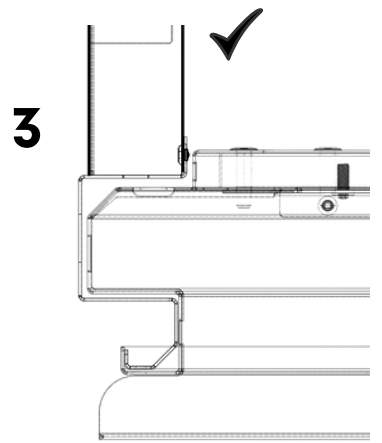
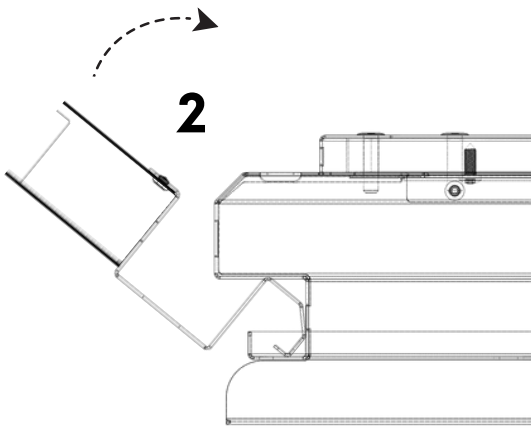
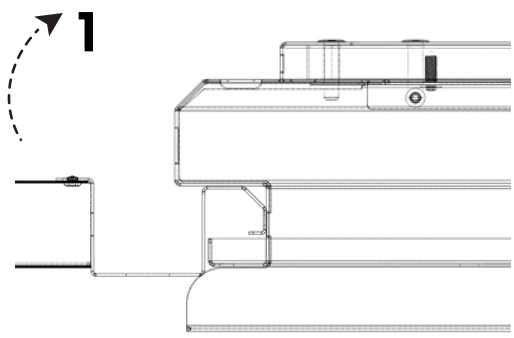
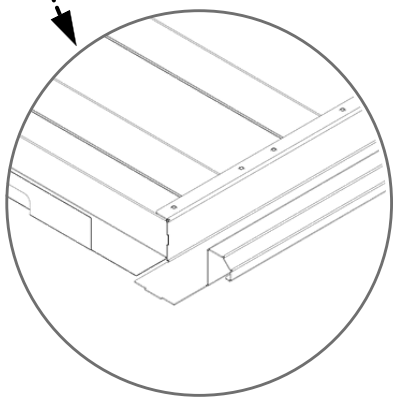
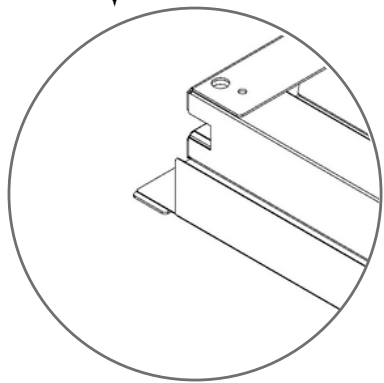
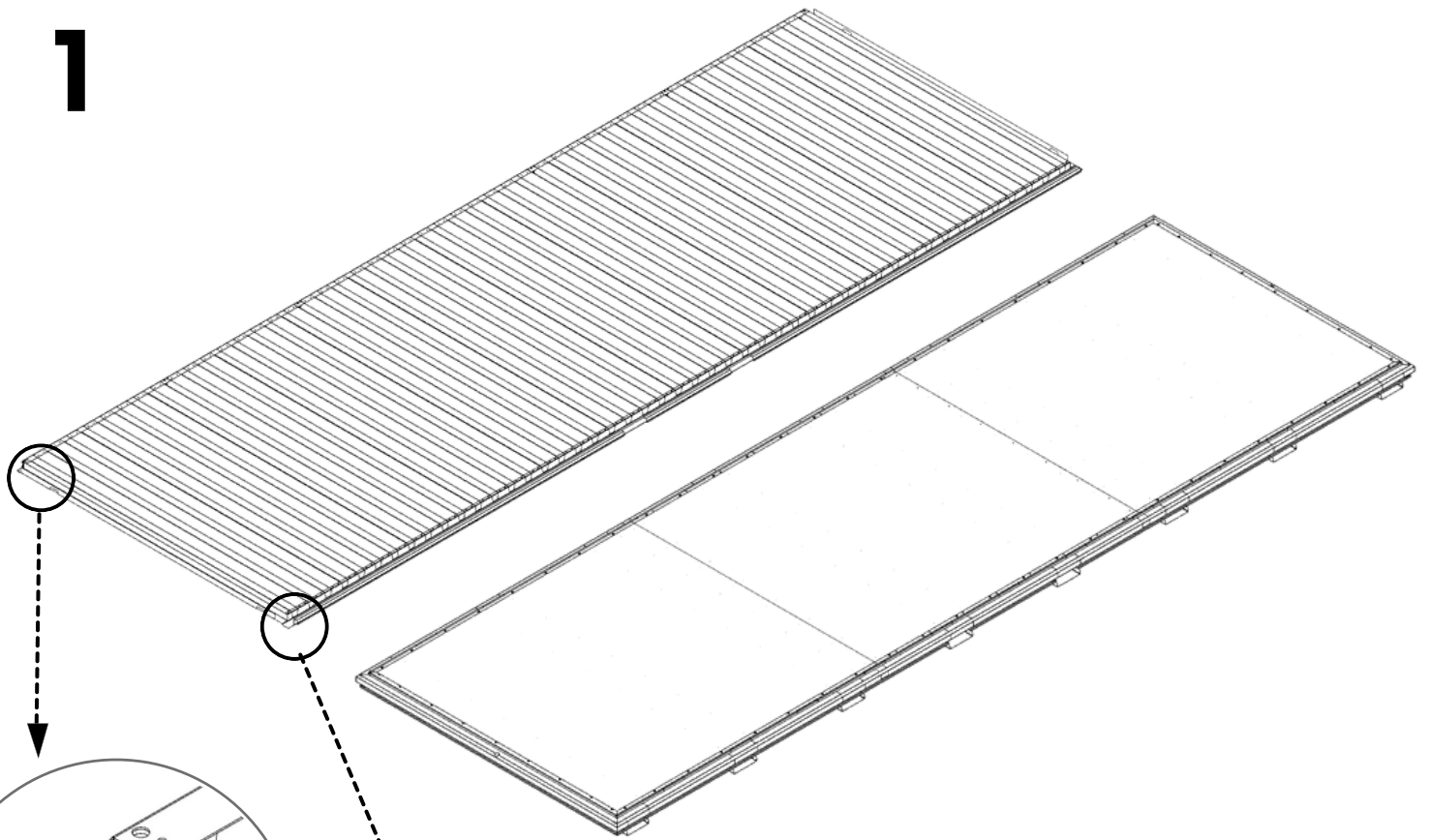
1x



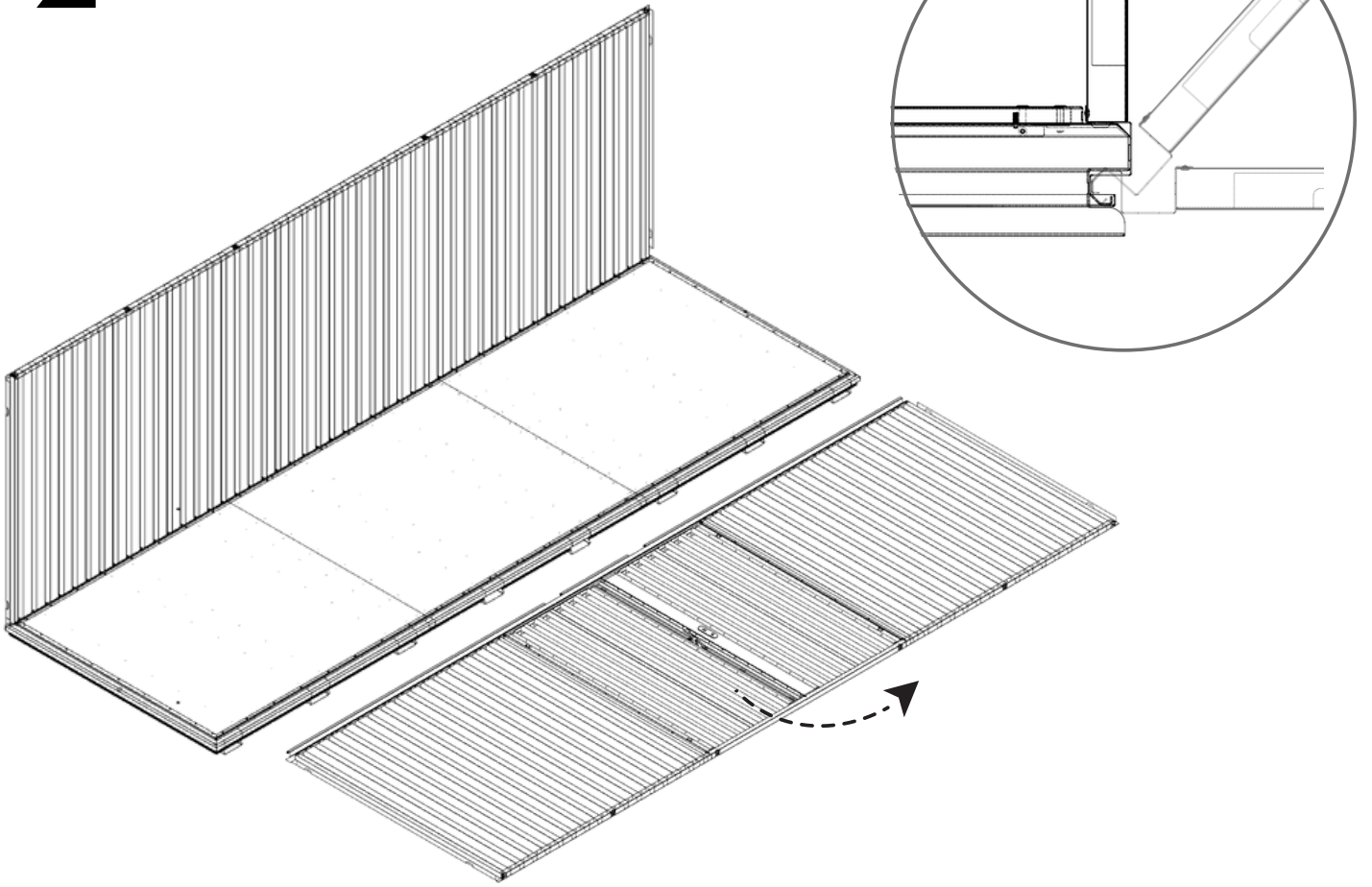
2x



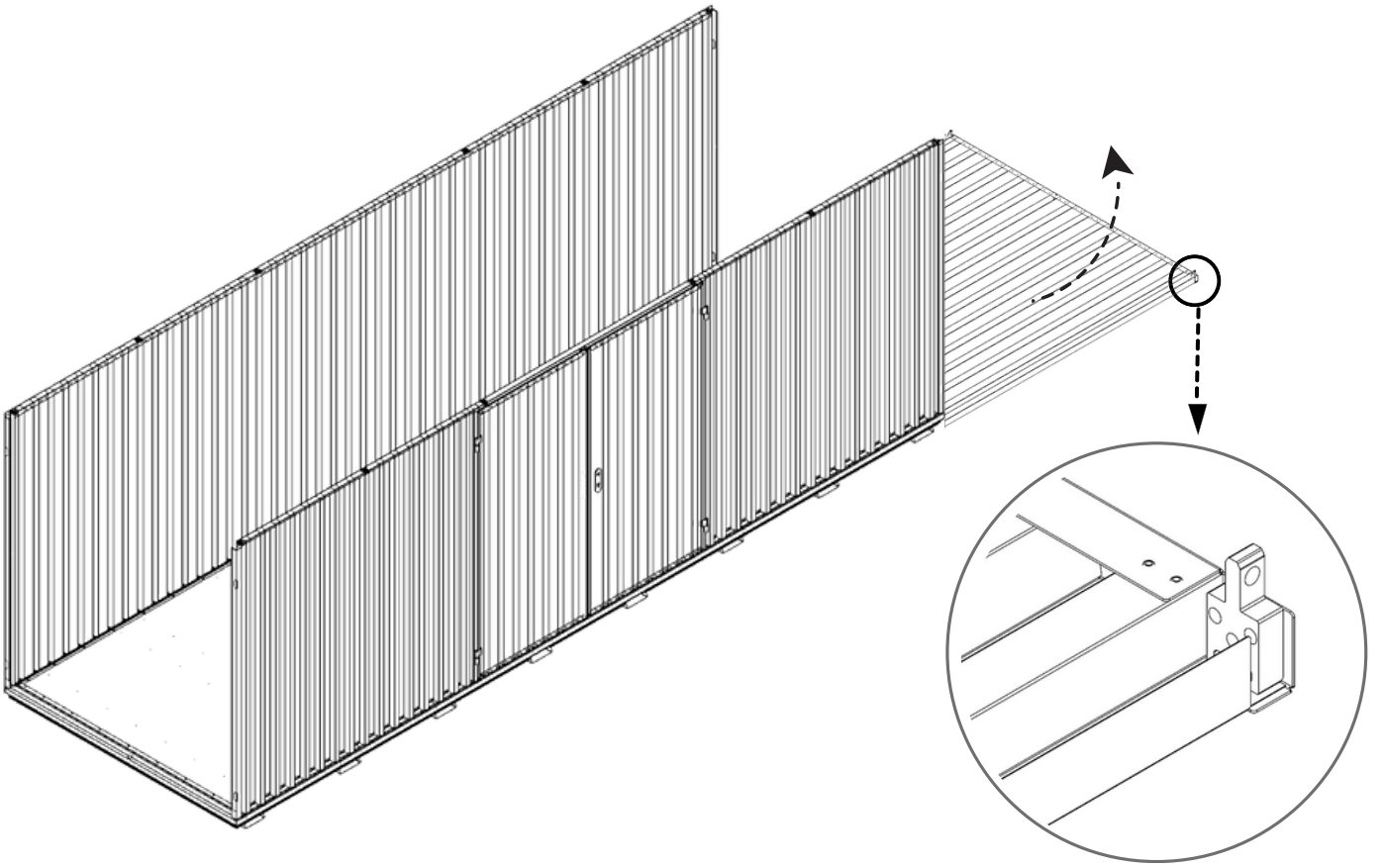
1



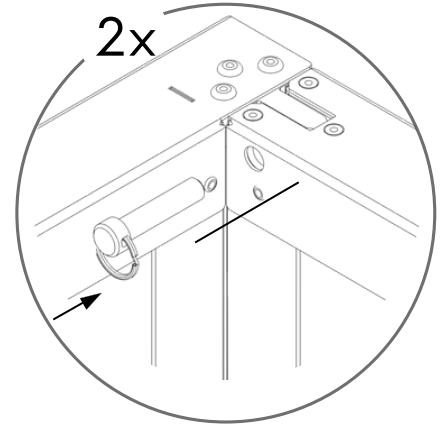
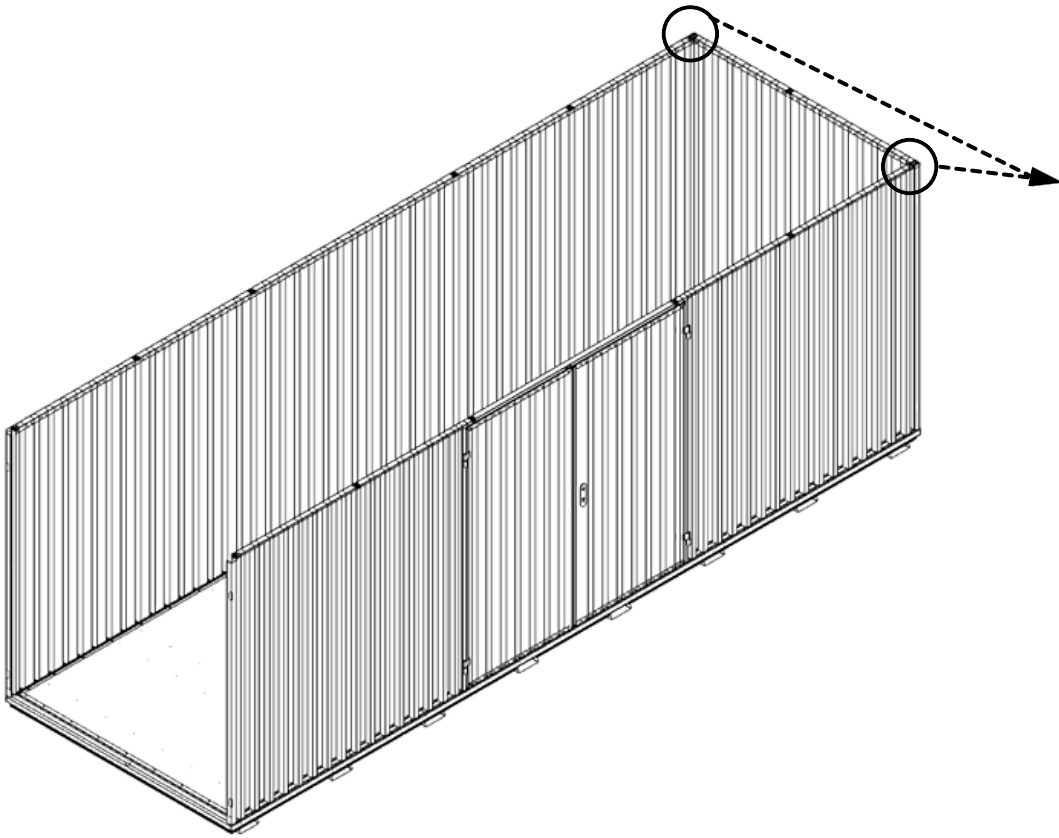
2



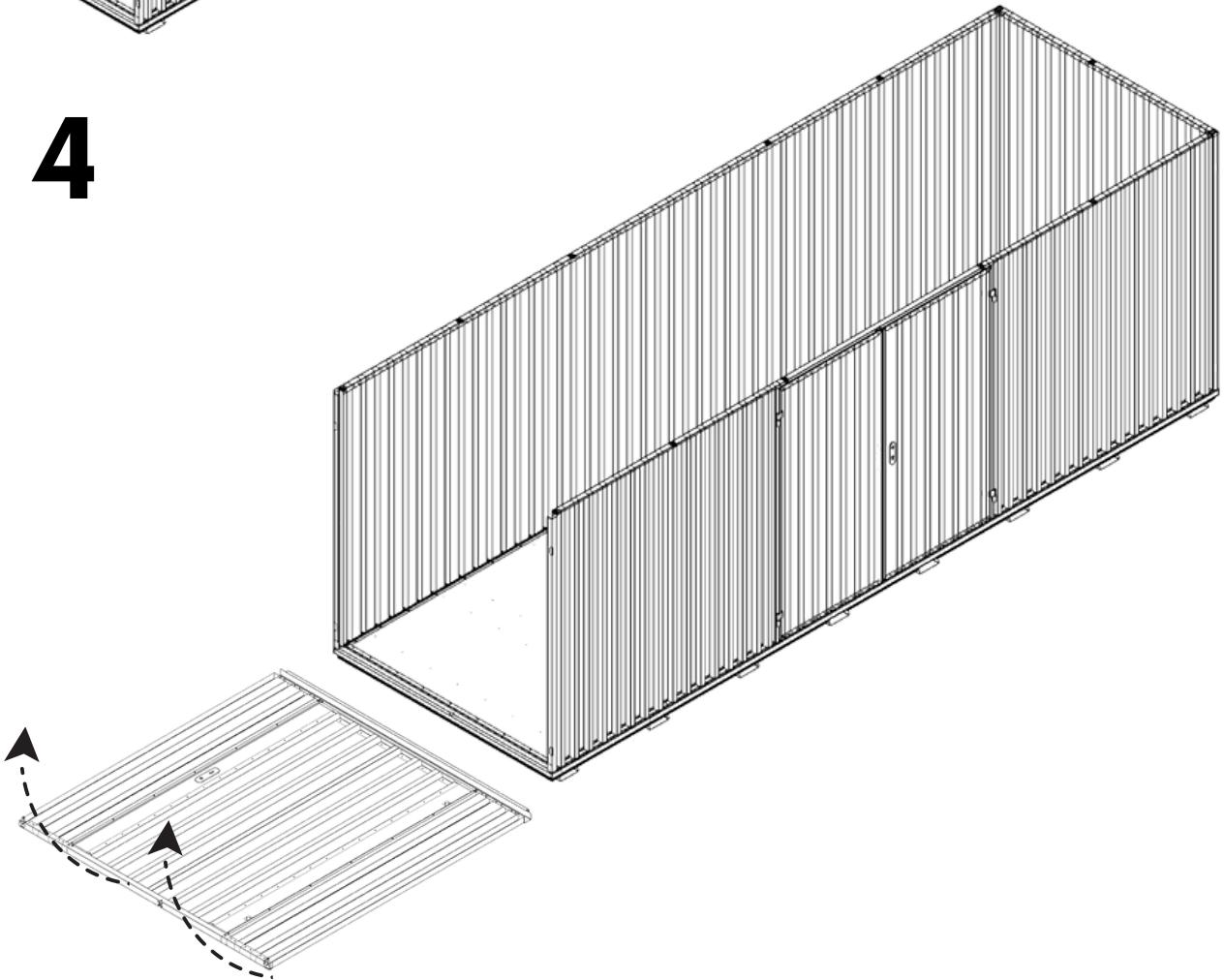
3



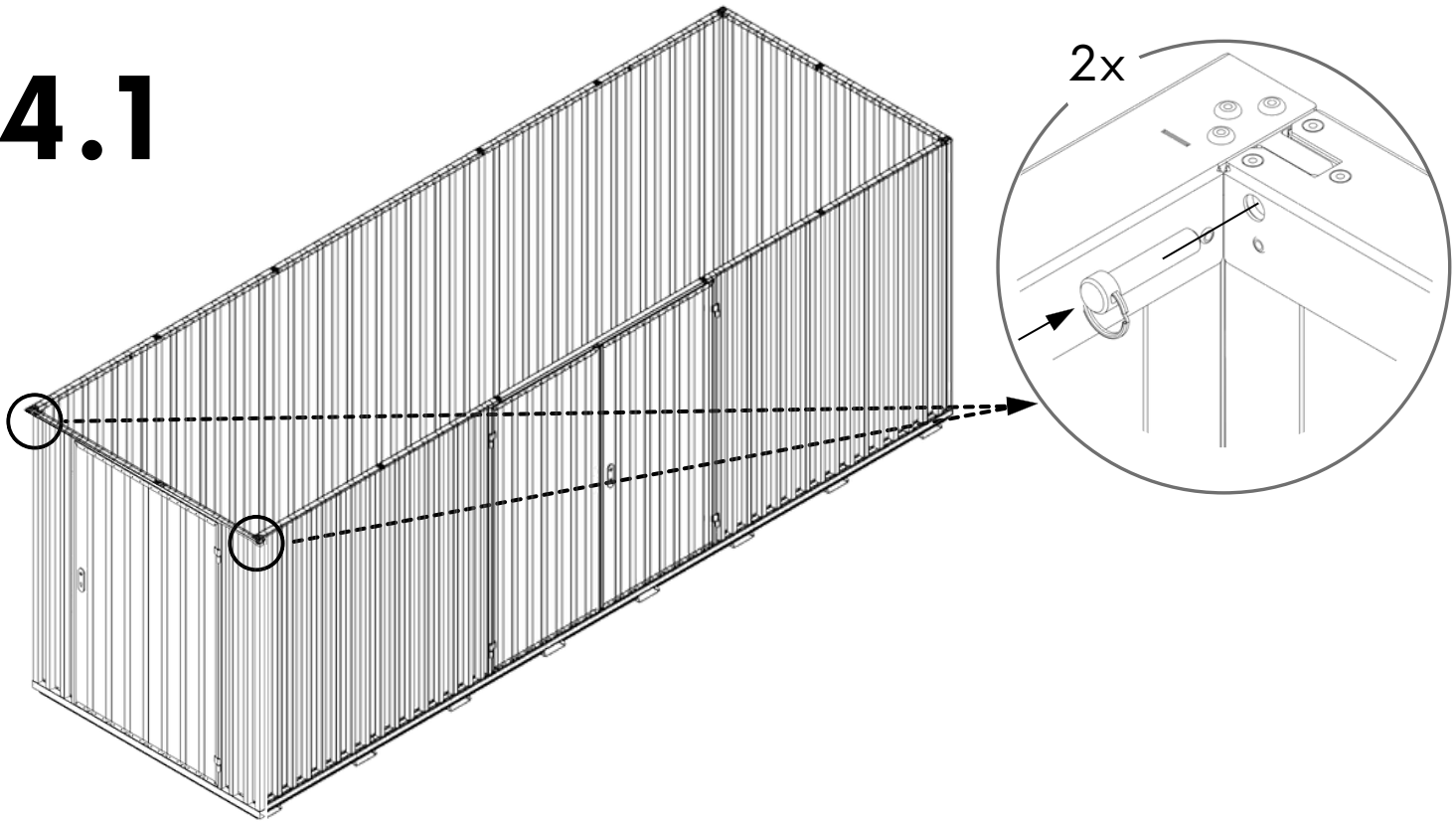
3.1



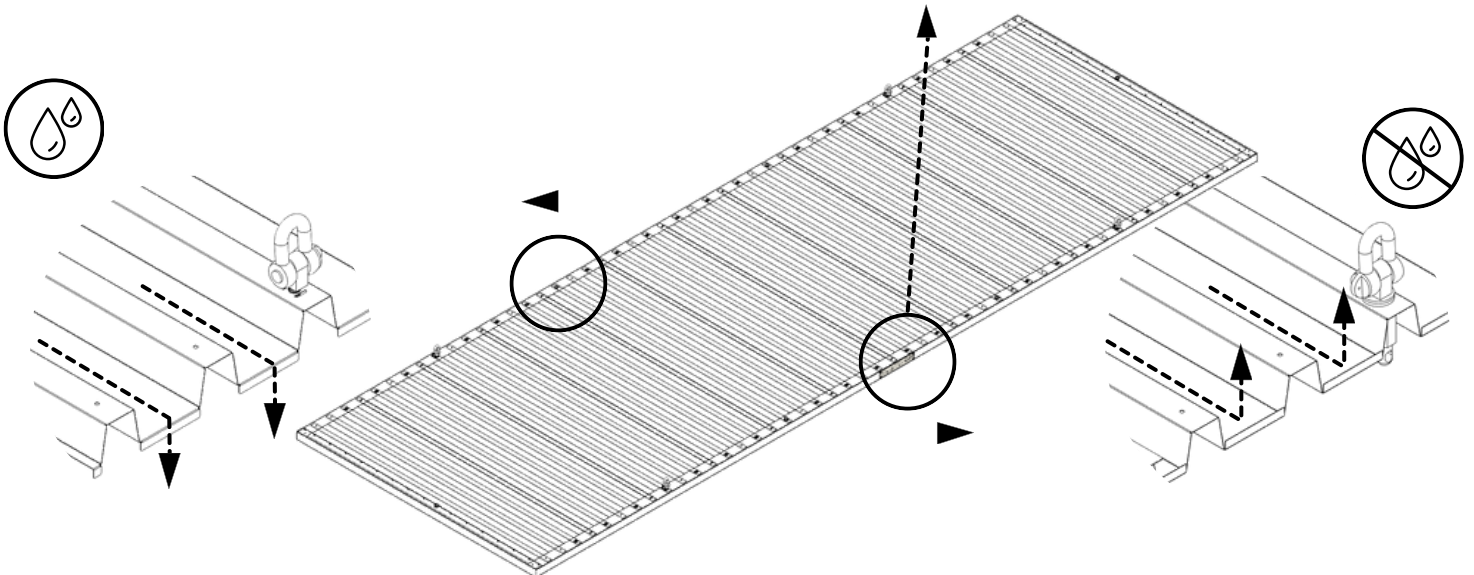
4



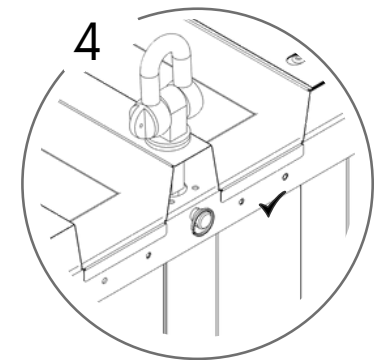
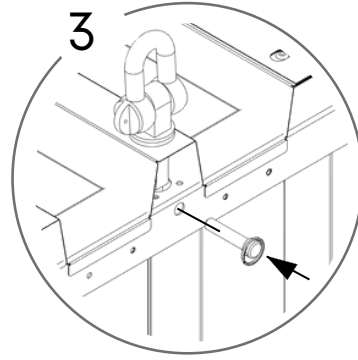
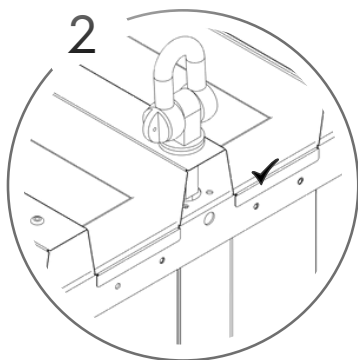
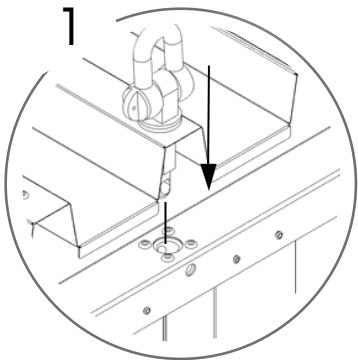
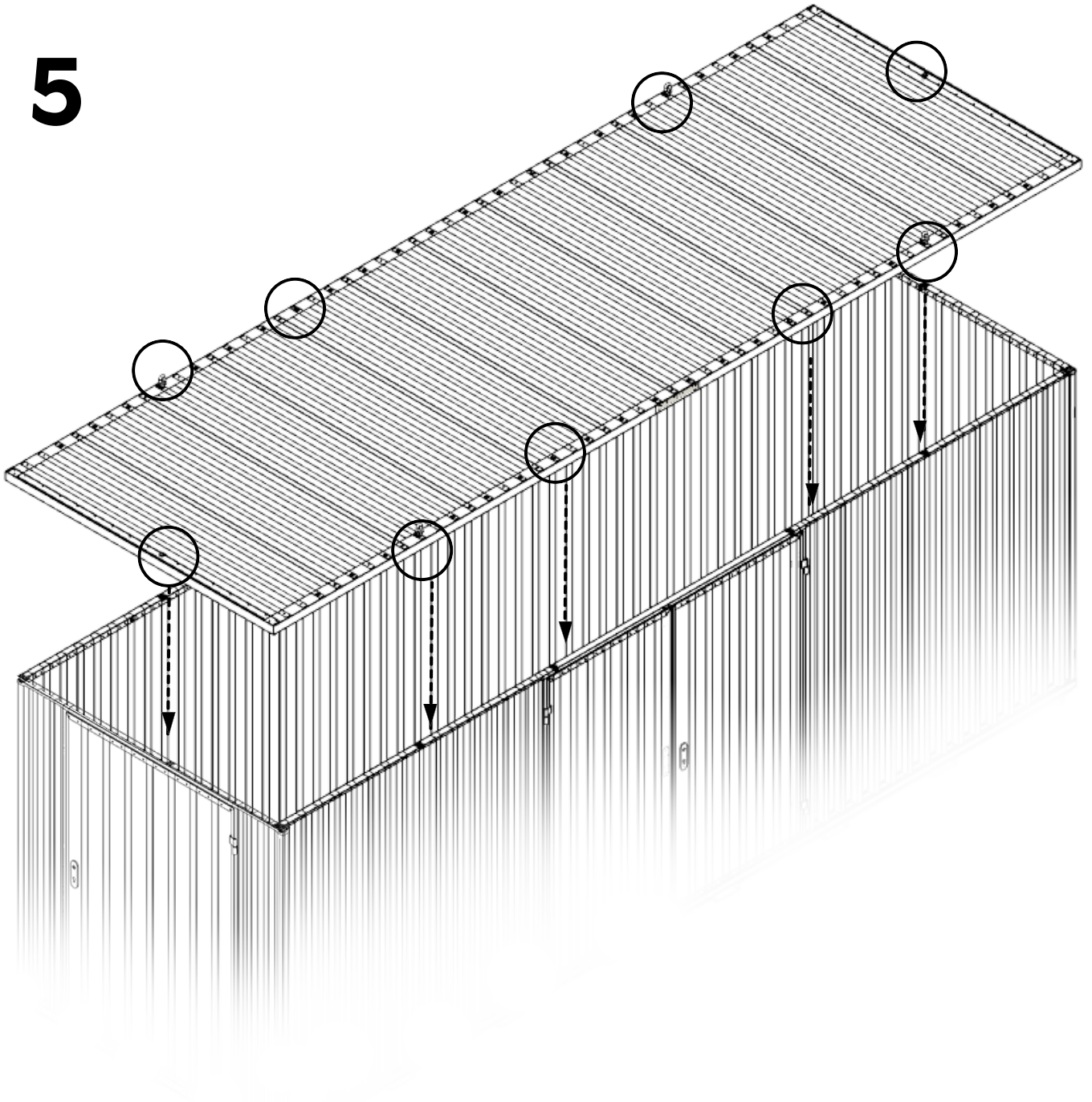
4.1



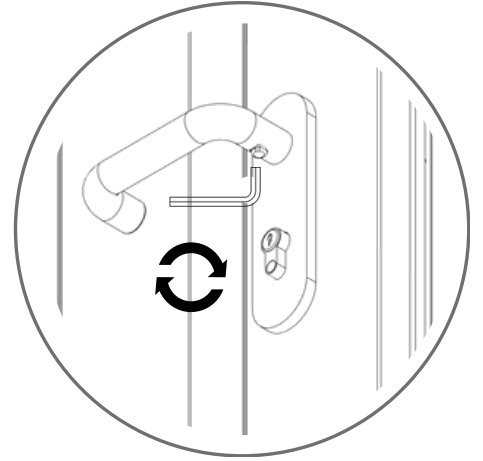
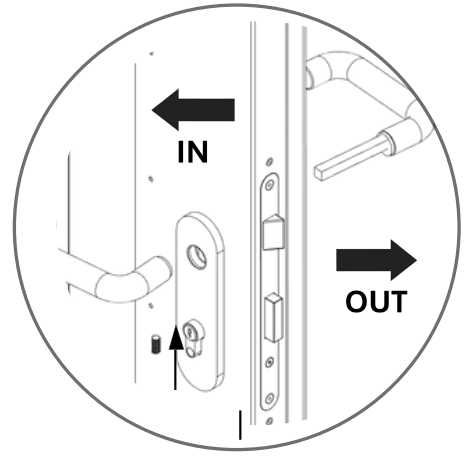
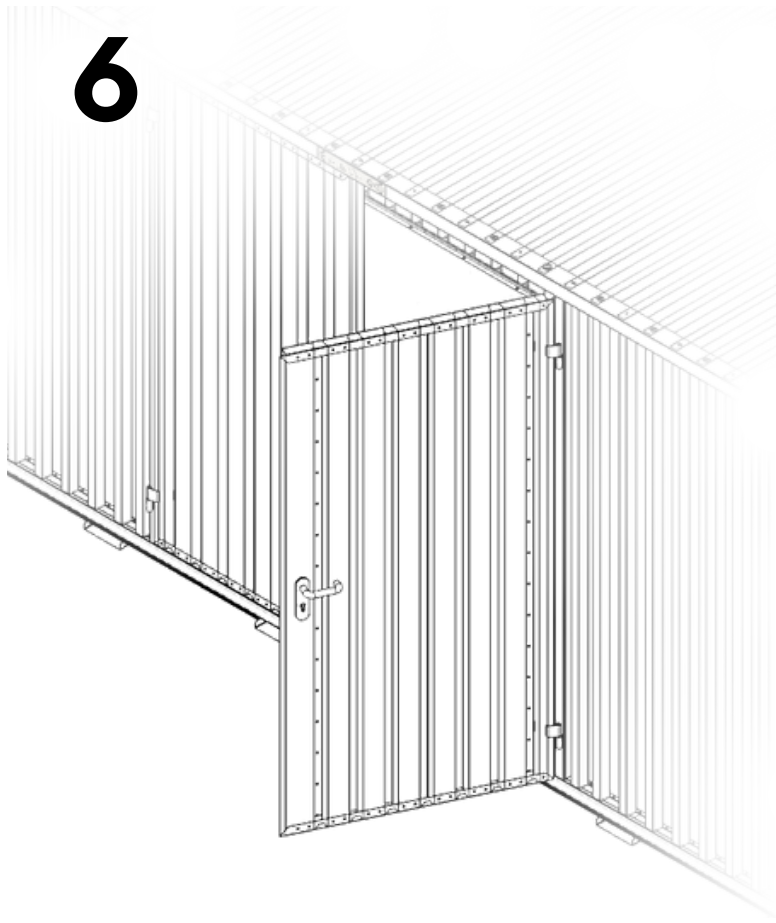
 606 KG	 1640 MM	Model Code: 60.110.430.320 Production Tracking Code:/X09.1.60.430.320 9001 14001 50001		
------------	-------------	---	--	--



5



6



7

