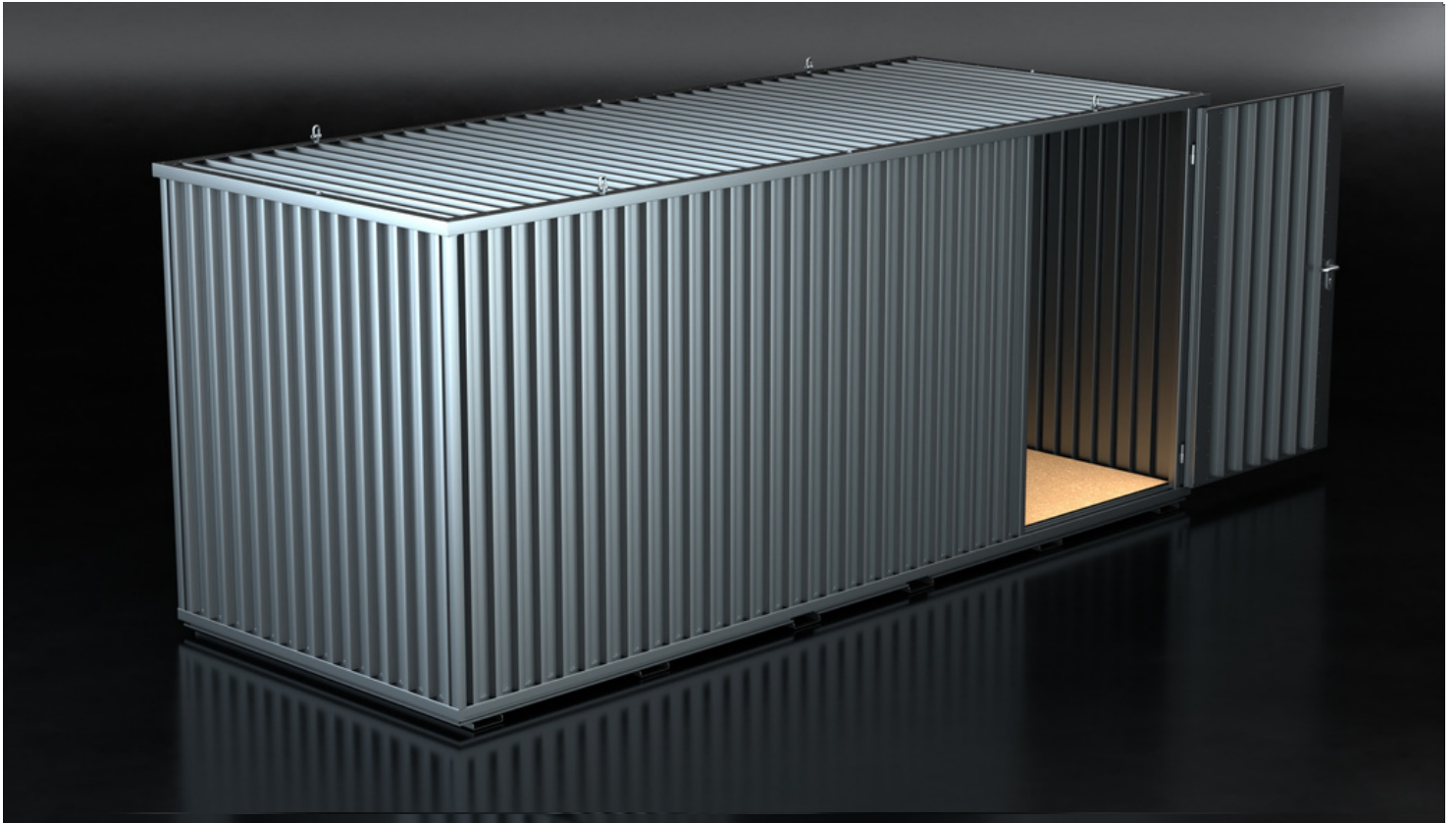


PRODUCT CODE:50.110.440

prefabase
Quick Build Solutions

Instructions and User Guide



50.0110
1x

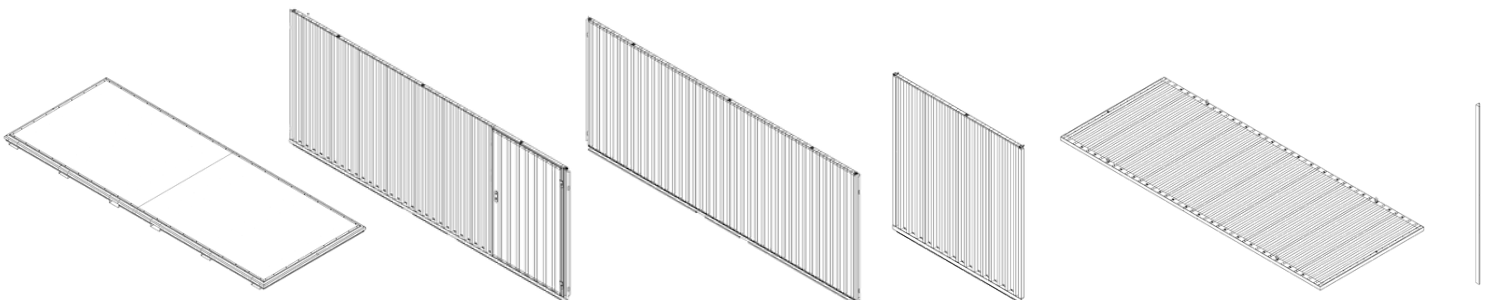
50.0440/0210
1x

50.0410
1x

0310
2x

50.0510
1x

0099.61.101
4x





12x



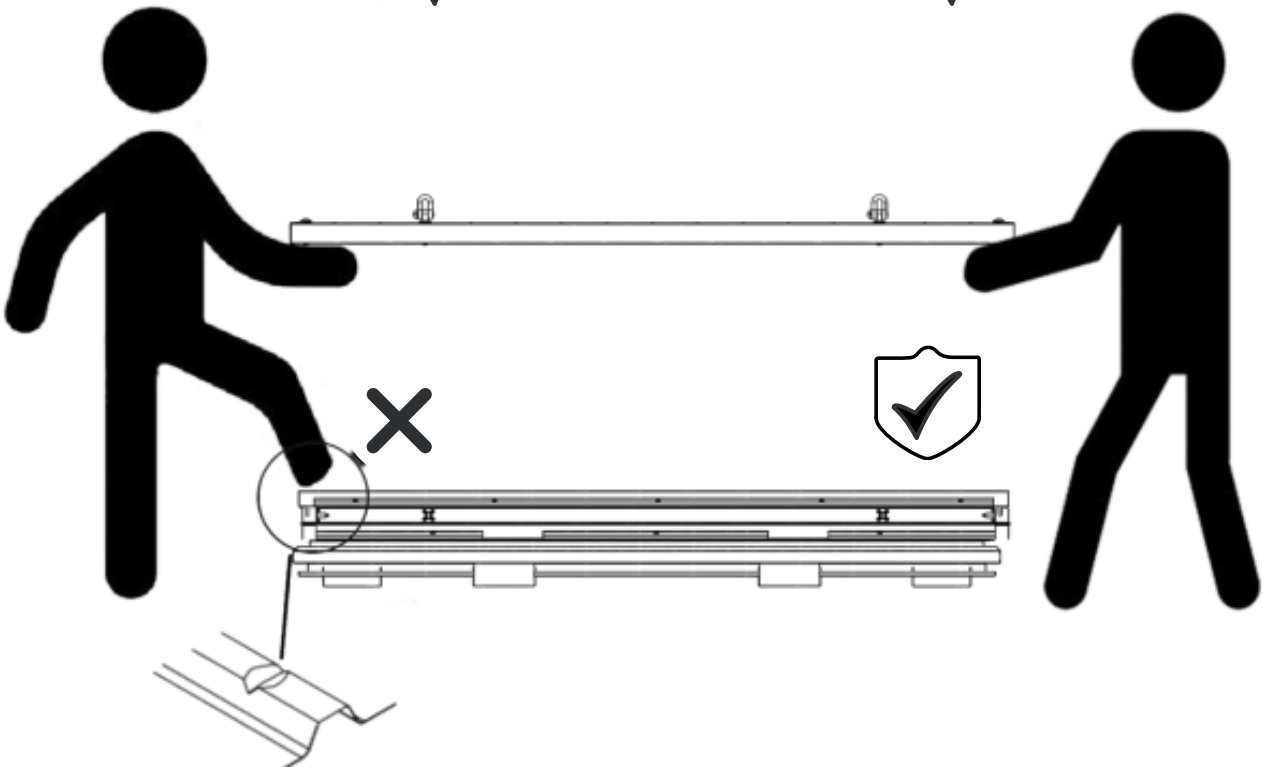
1x



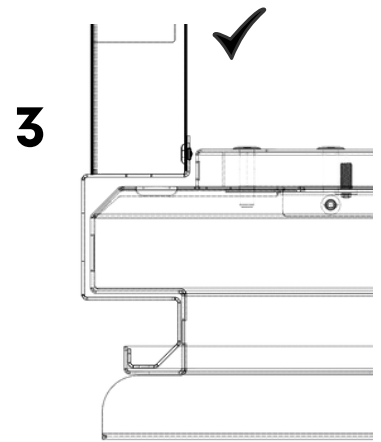
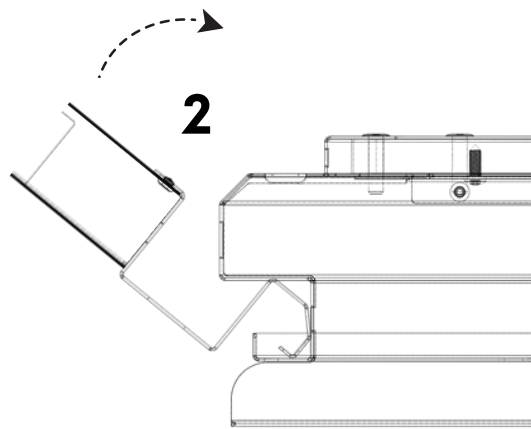
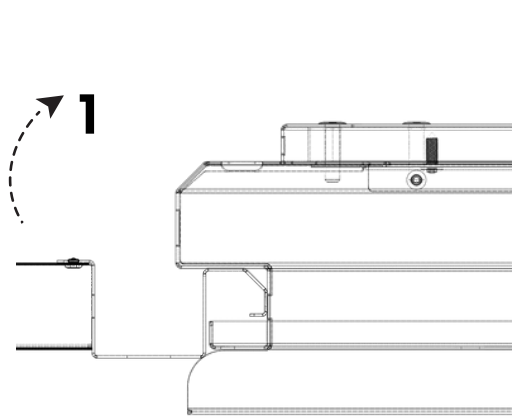
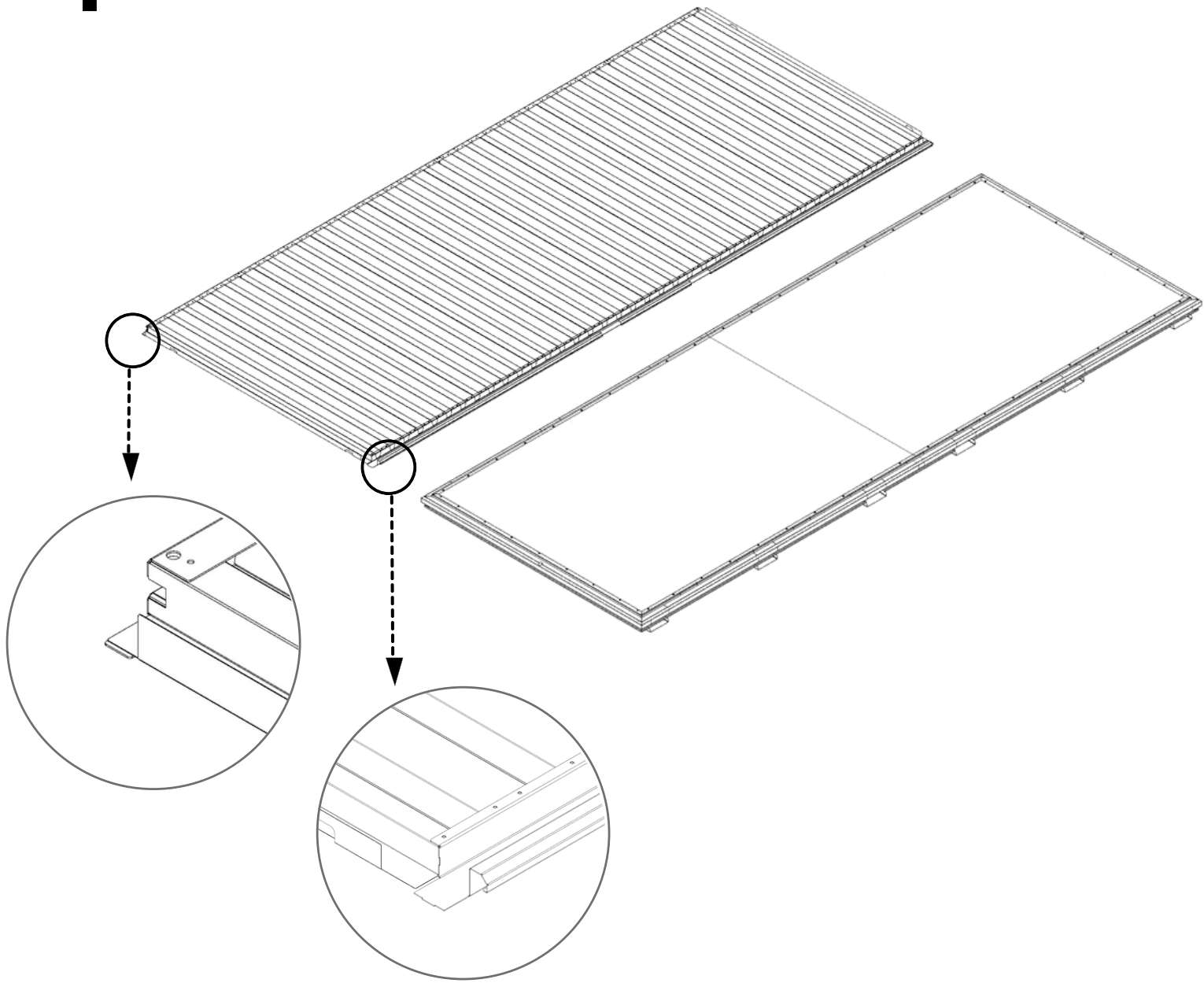
1x



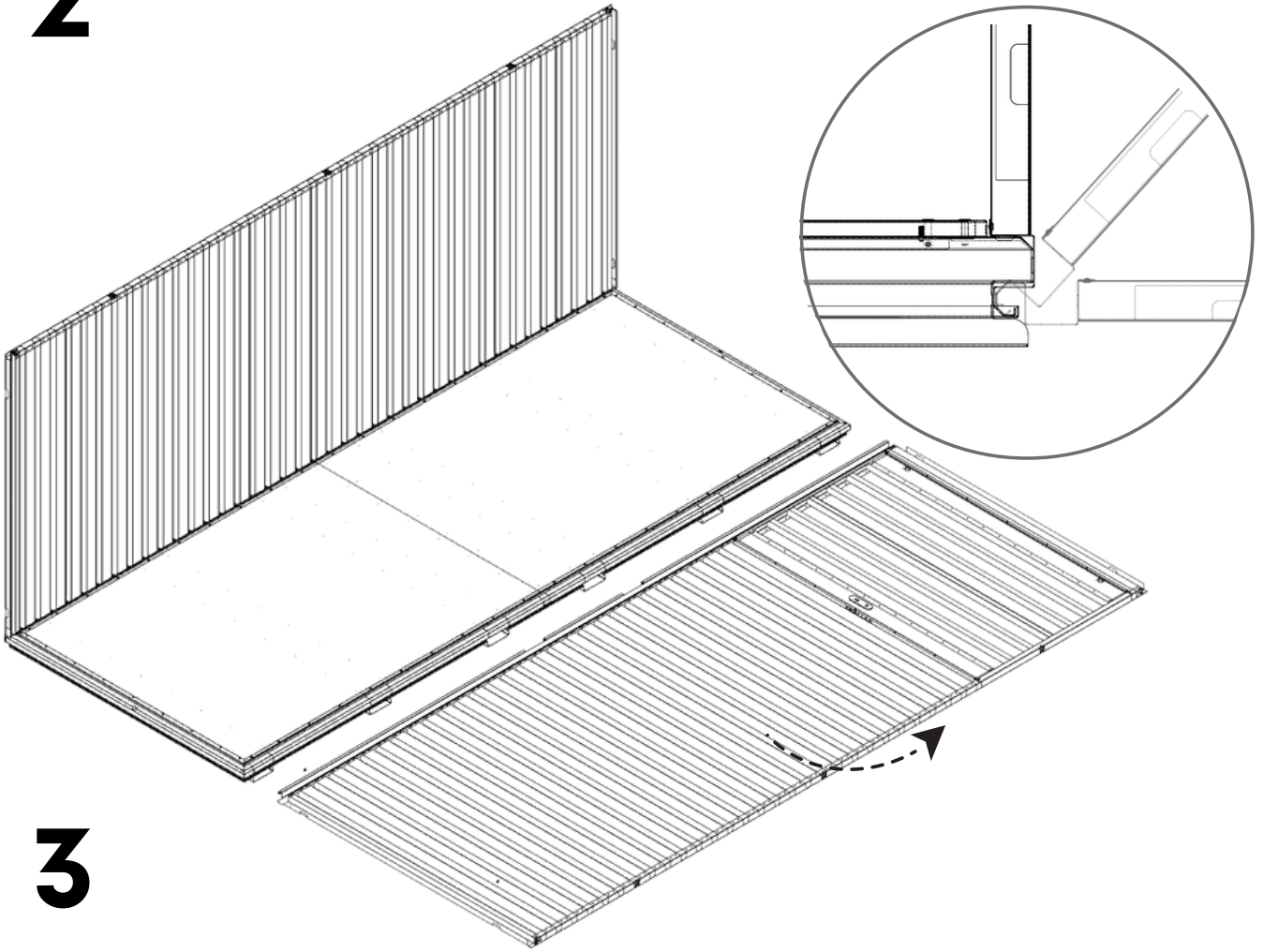
1x



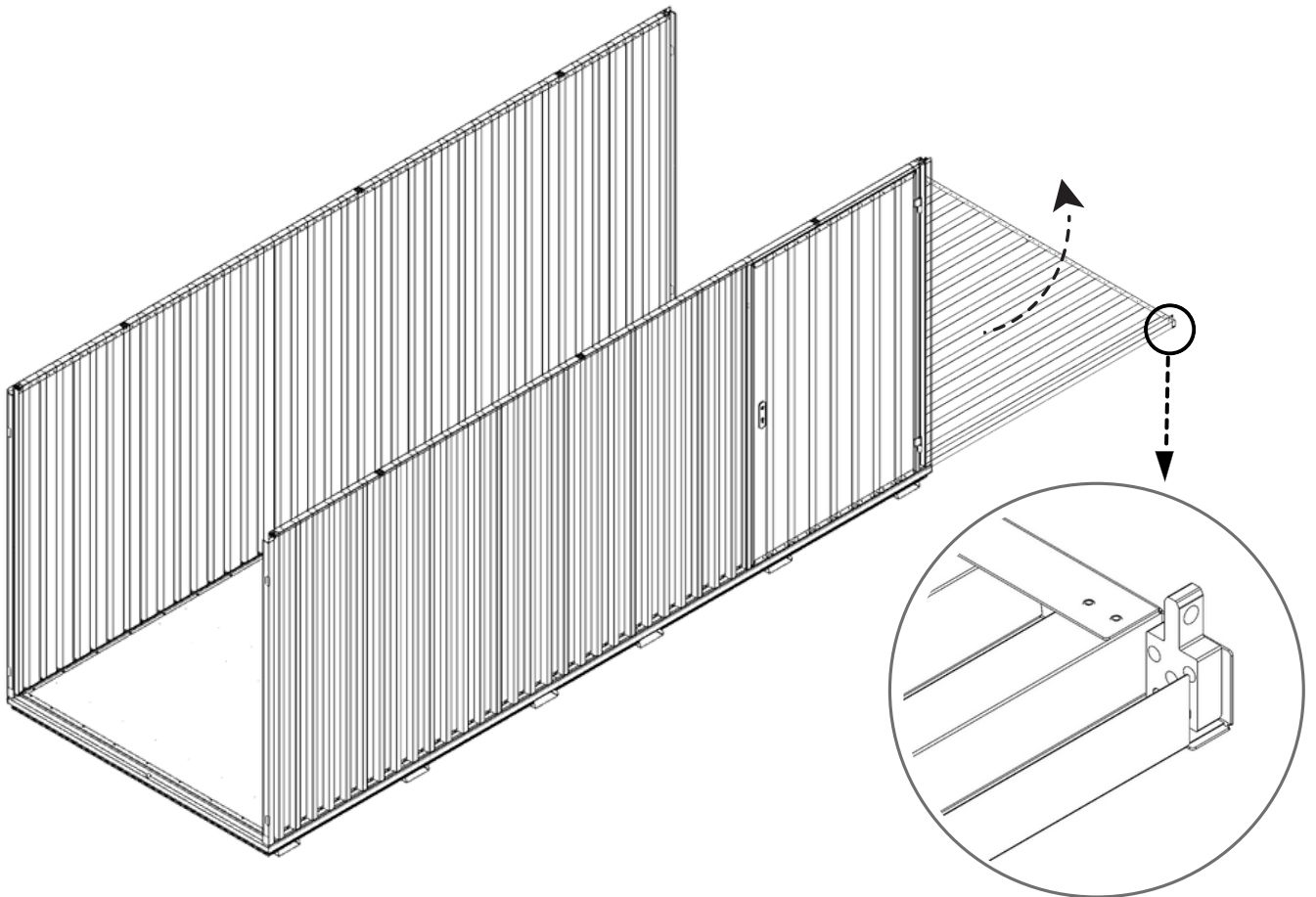
1



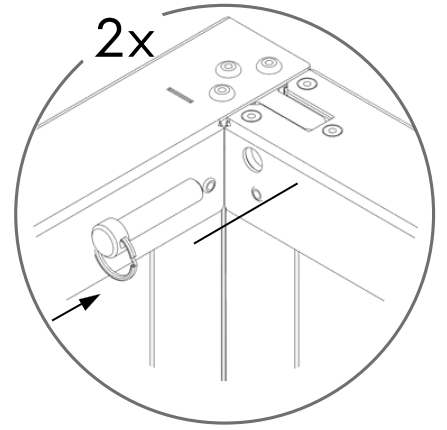
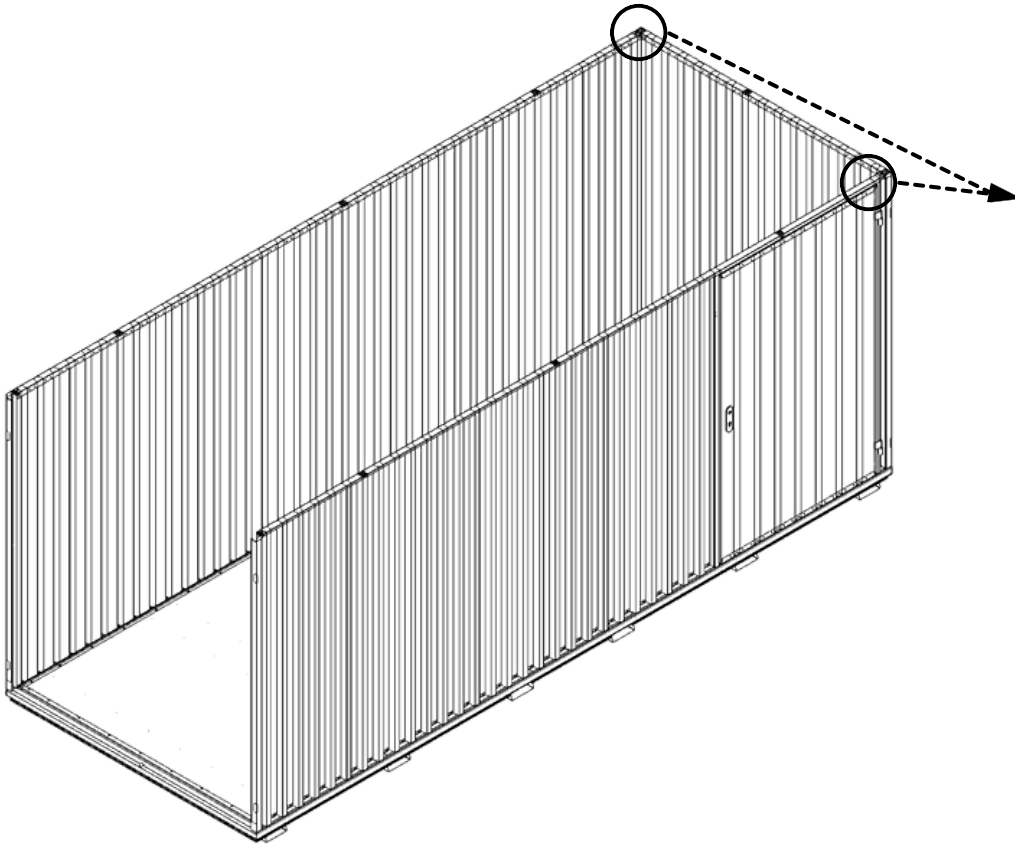
2



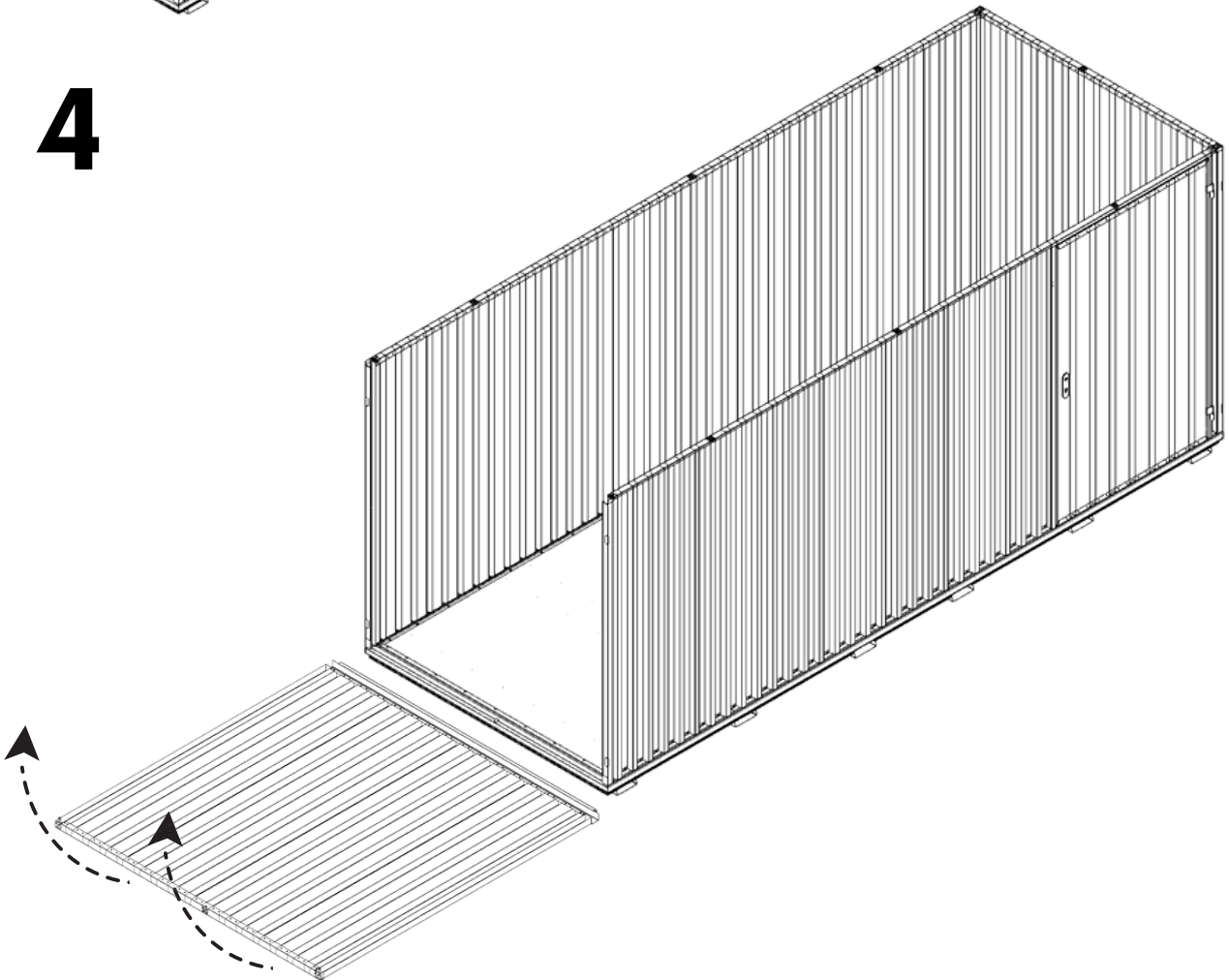
3



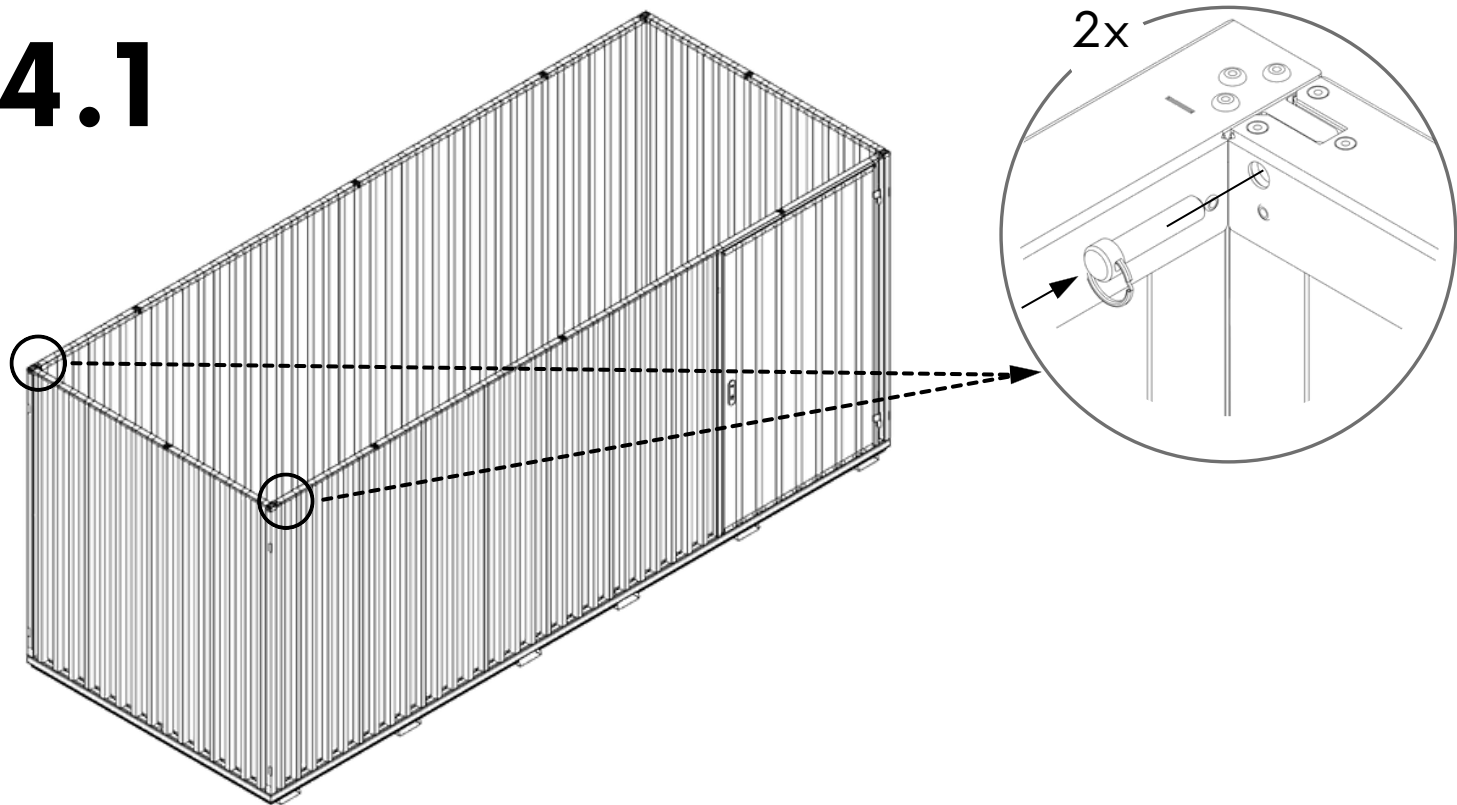
3.1












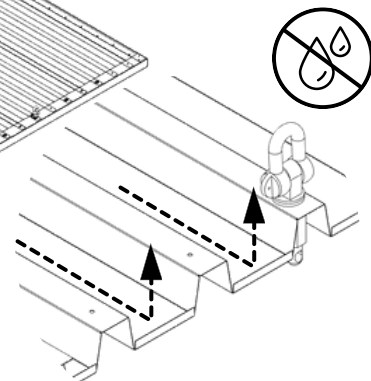
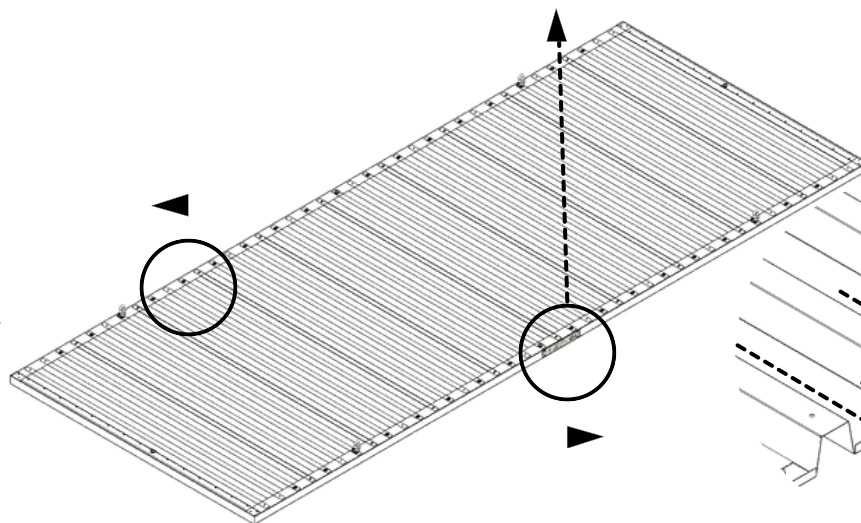
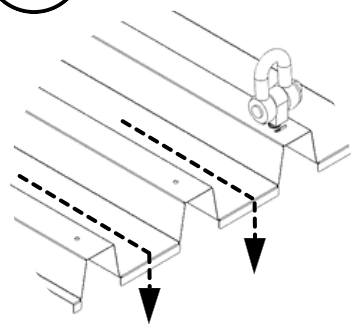
4



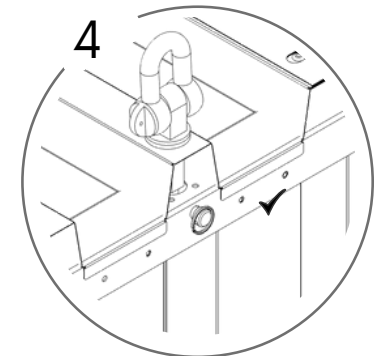
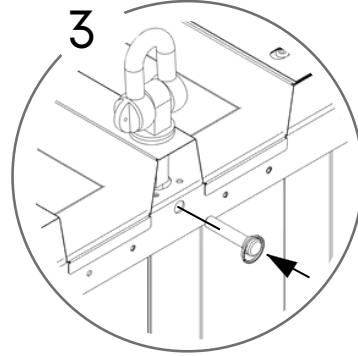
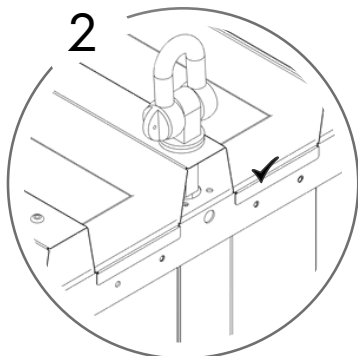
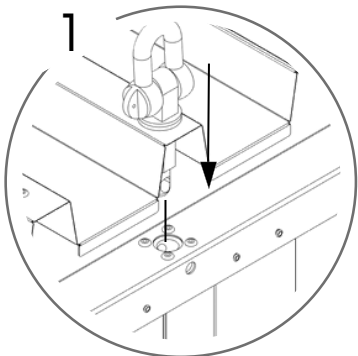
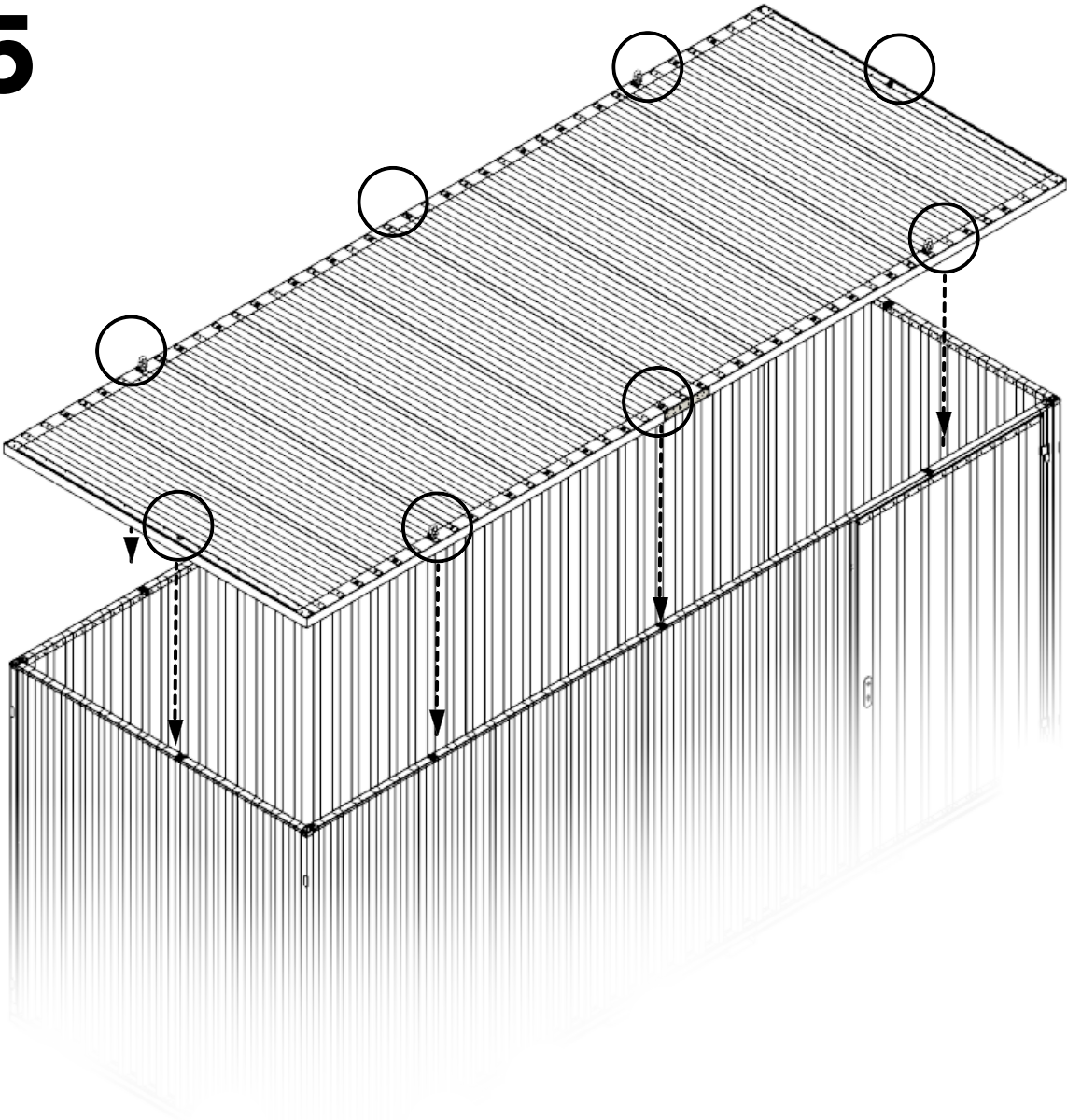
4.1



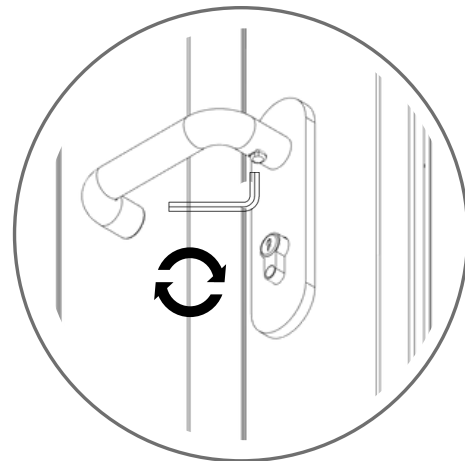
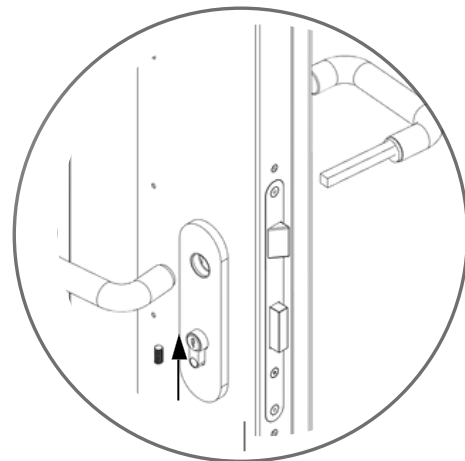
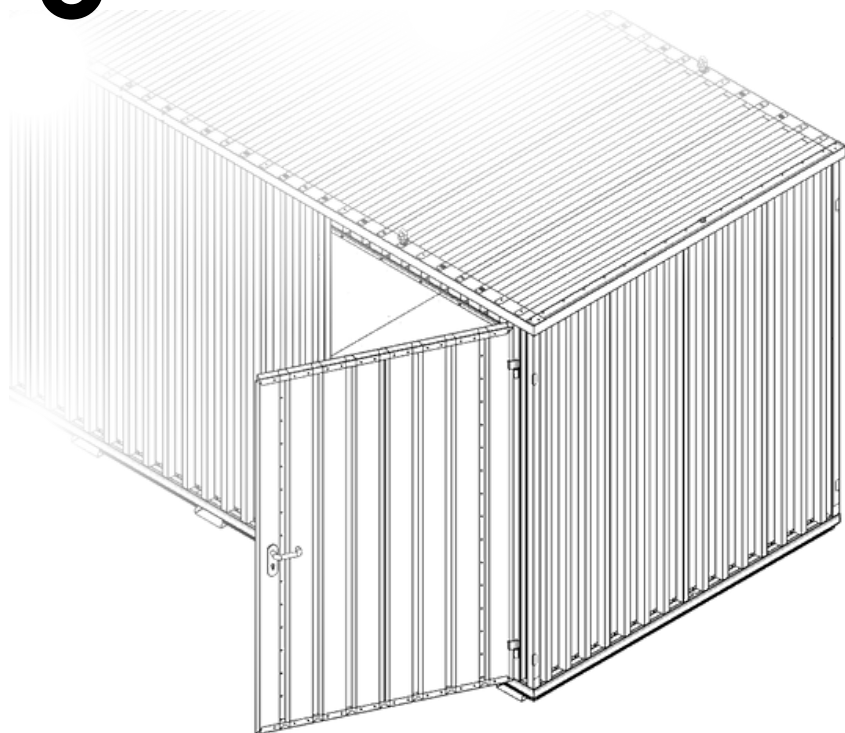
 336 KG	 3 TON	 1640 MM	Model Code: 30.110.440 Production Tracking Code:X09.1.30.440  9001  14001  50001	  
---	--	--	---	---



5



6



7

