

PRODUCT CODE:40.110.430

**prefabase**  
Quick Build Solutions

Instructions and User Guide



40.0110  
1x

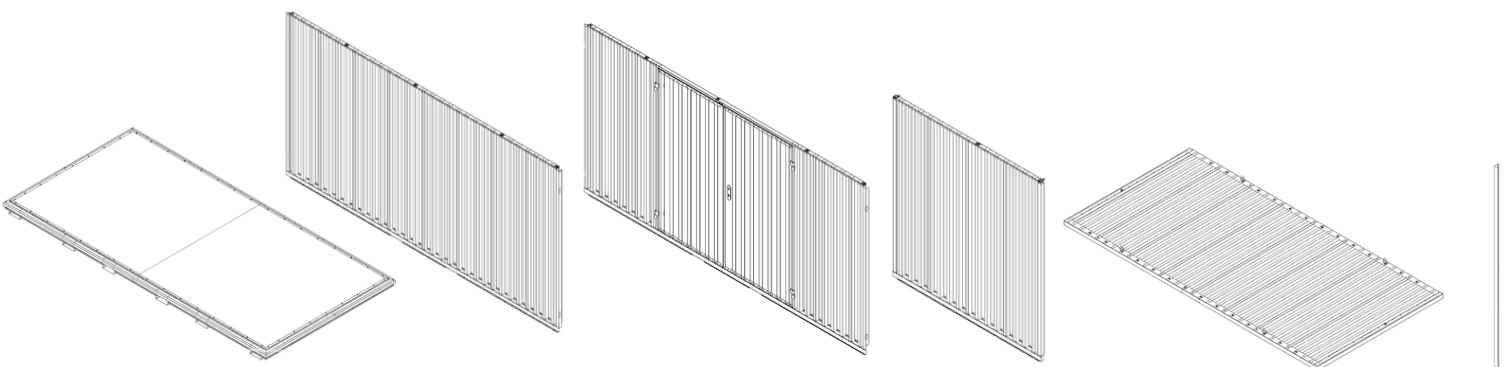
40.0410  
1x

40.0430/0220/0230  
1x

0310  
2x

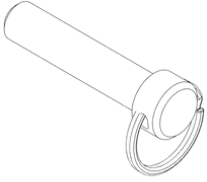
40.0510  
1x

0099.61.101  
4x

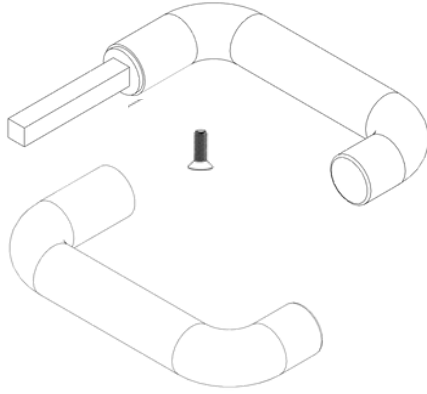




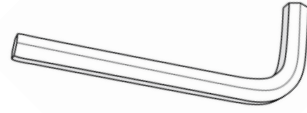
12x



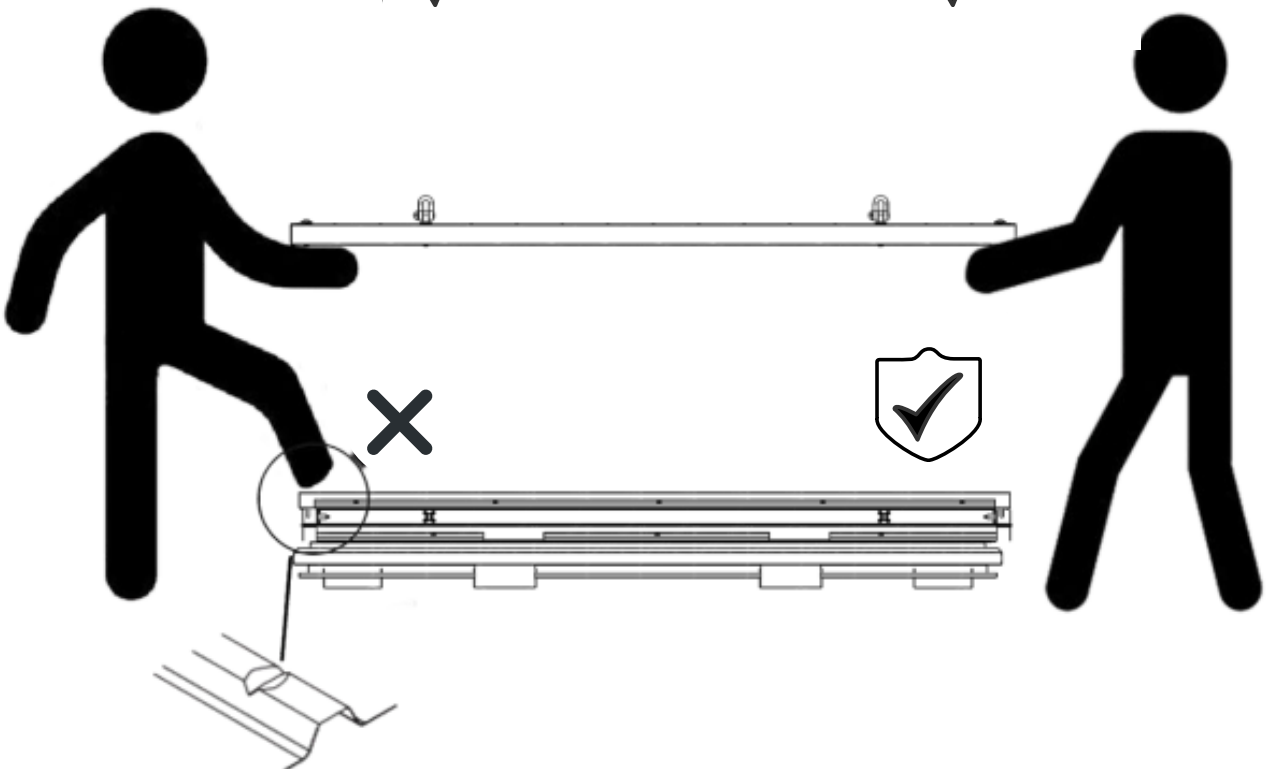
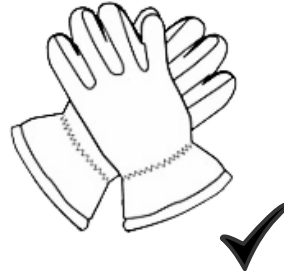
1x



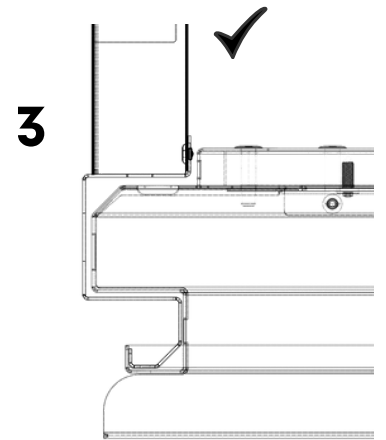
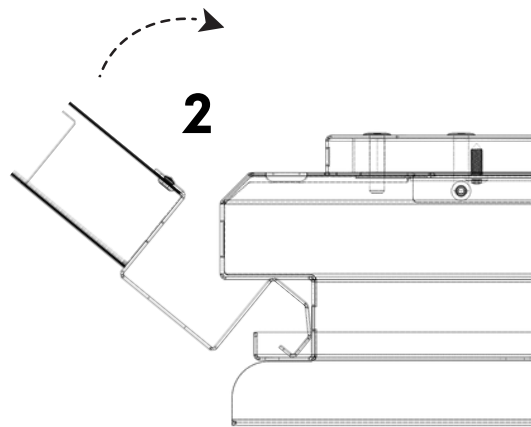
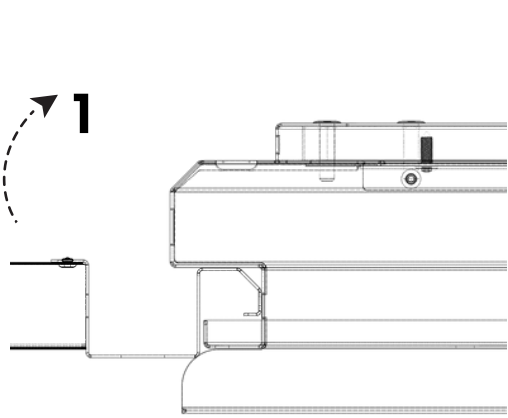
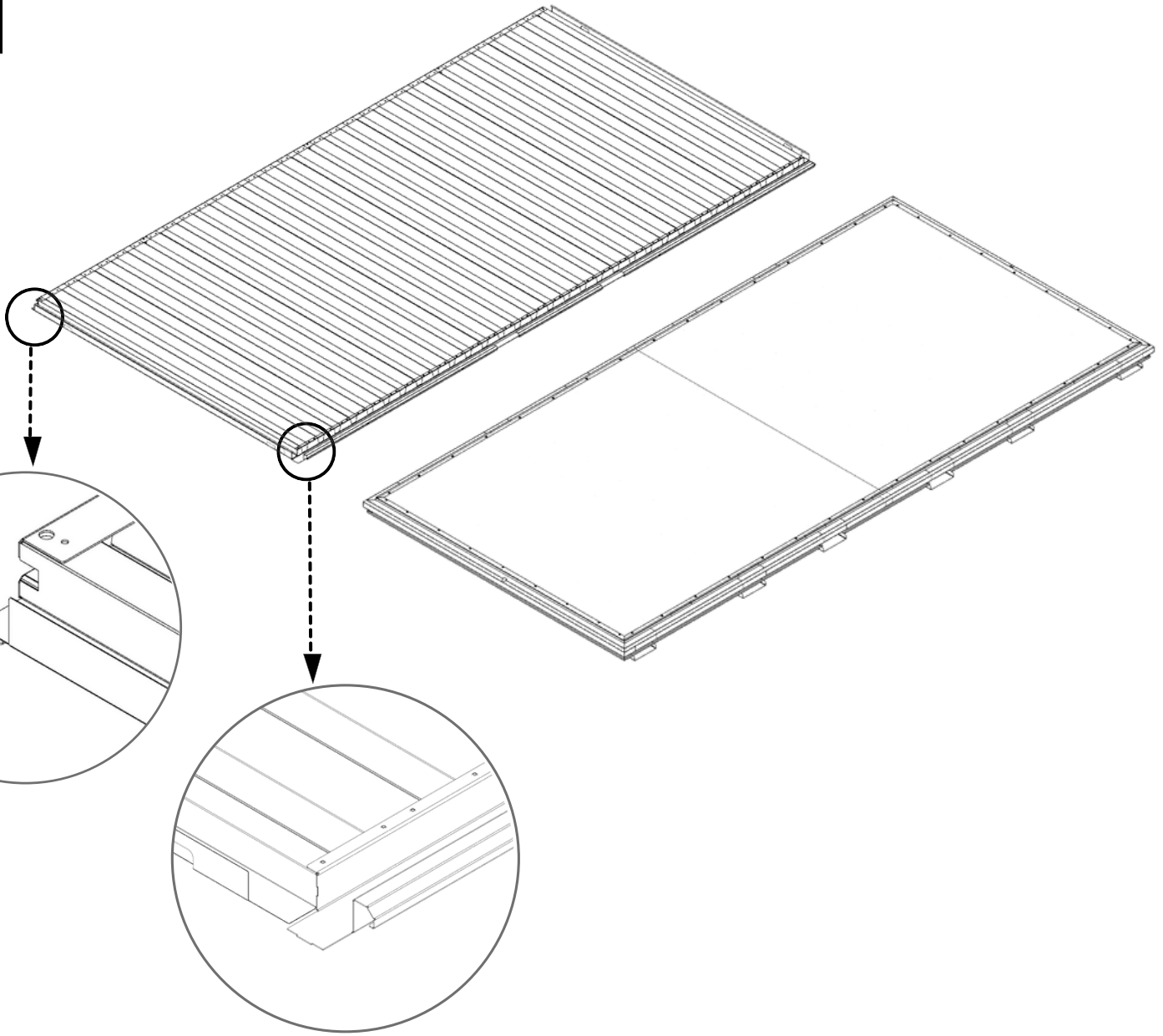
1x



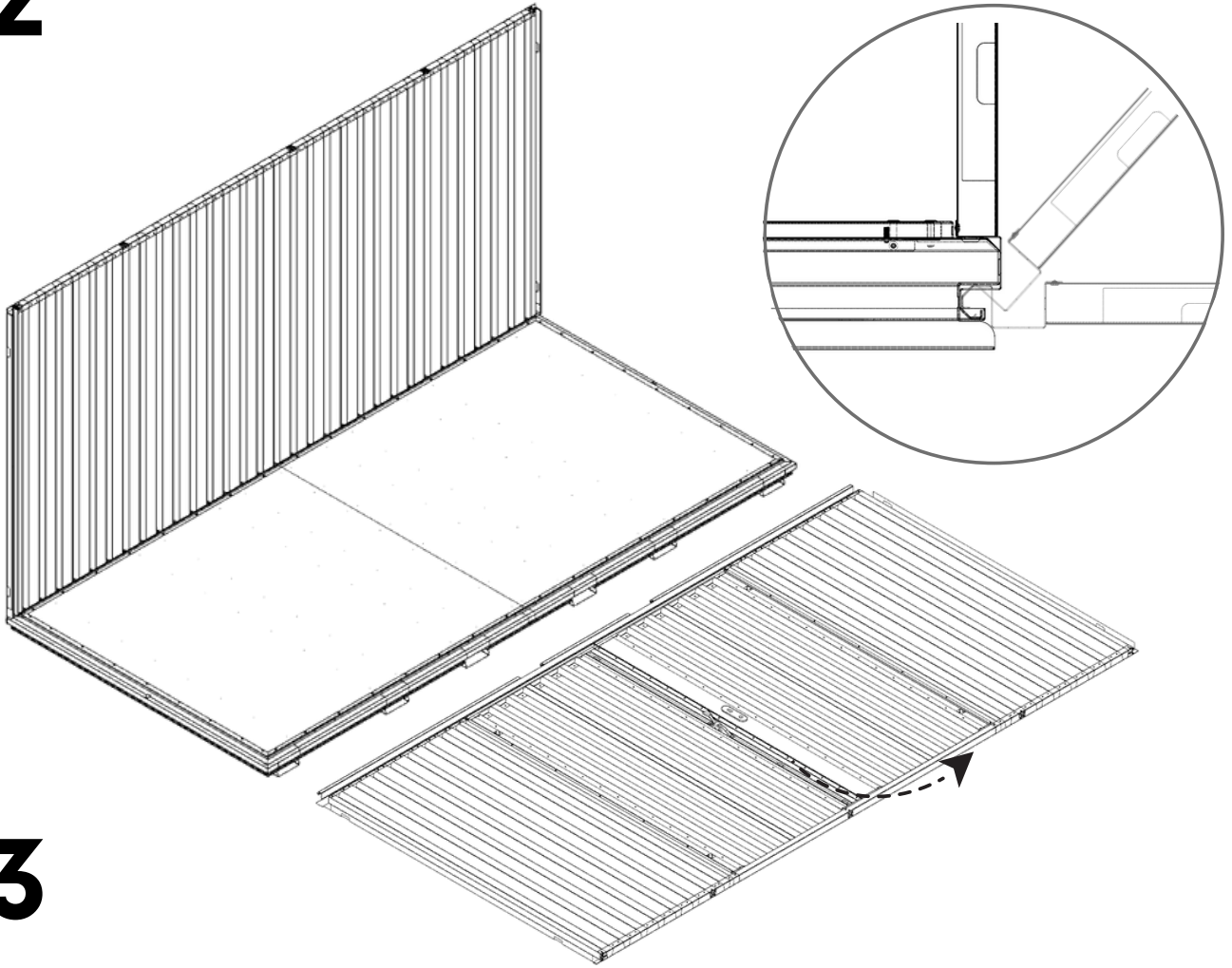
1x



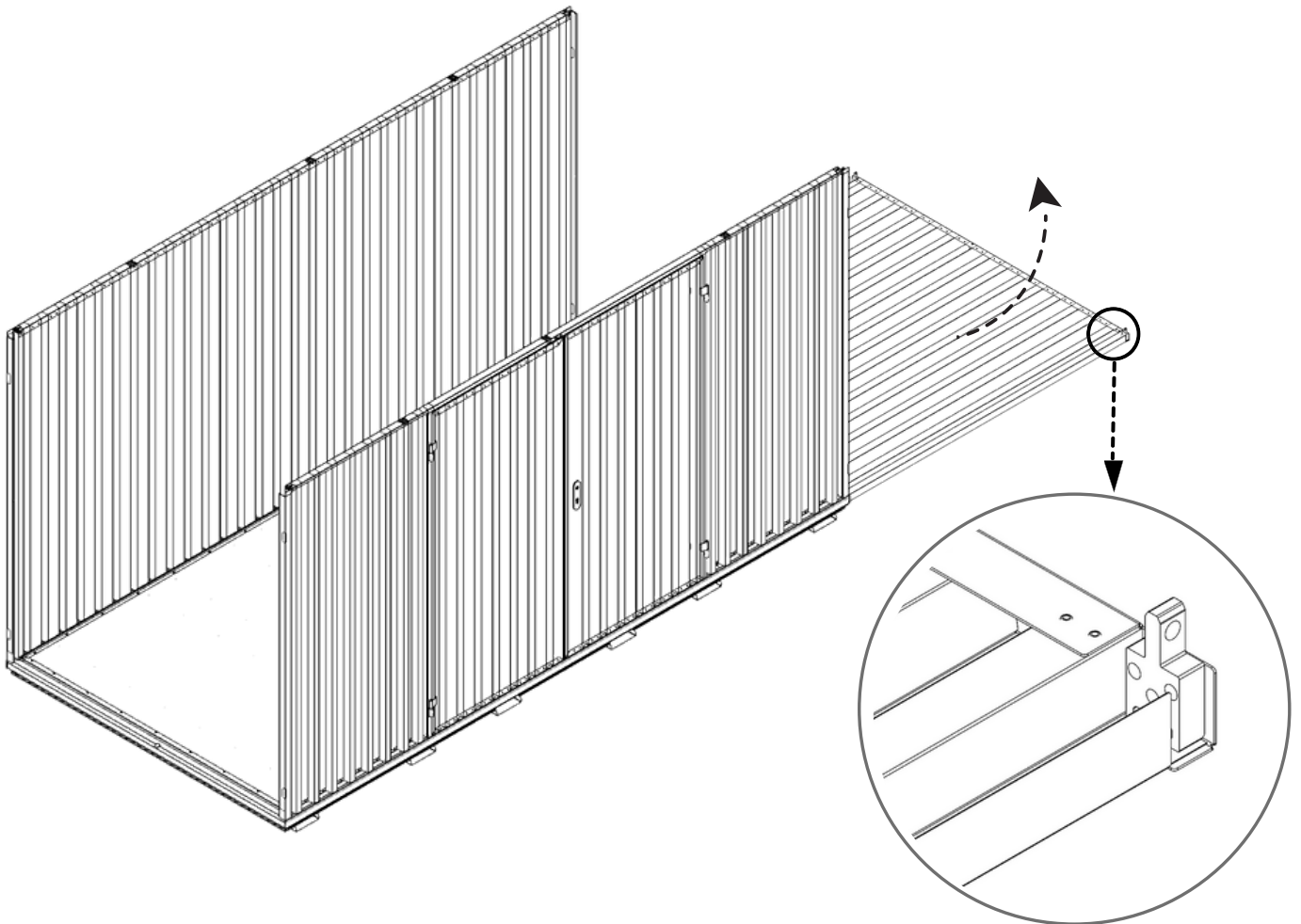
# 1



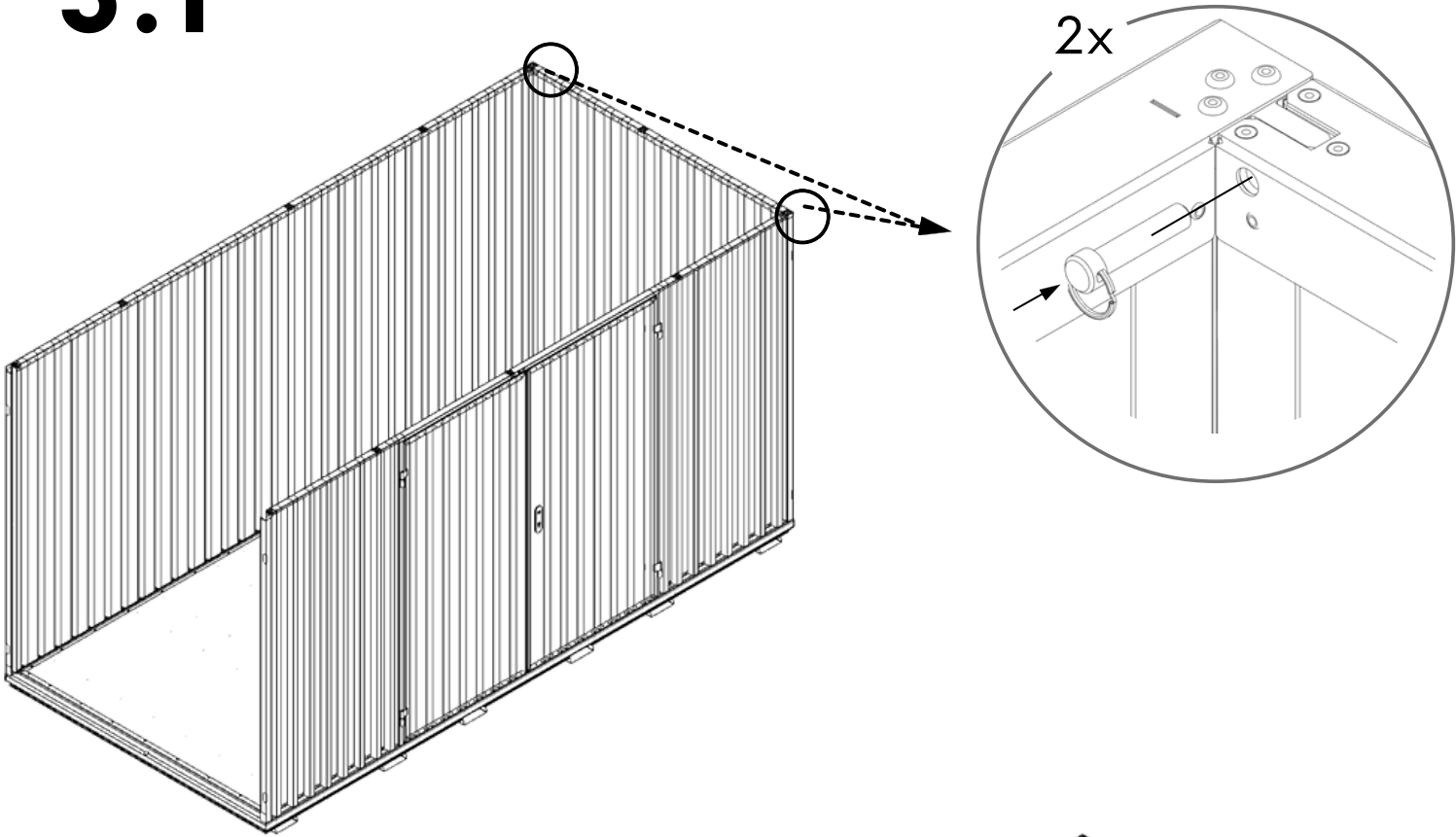
**2**



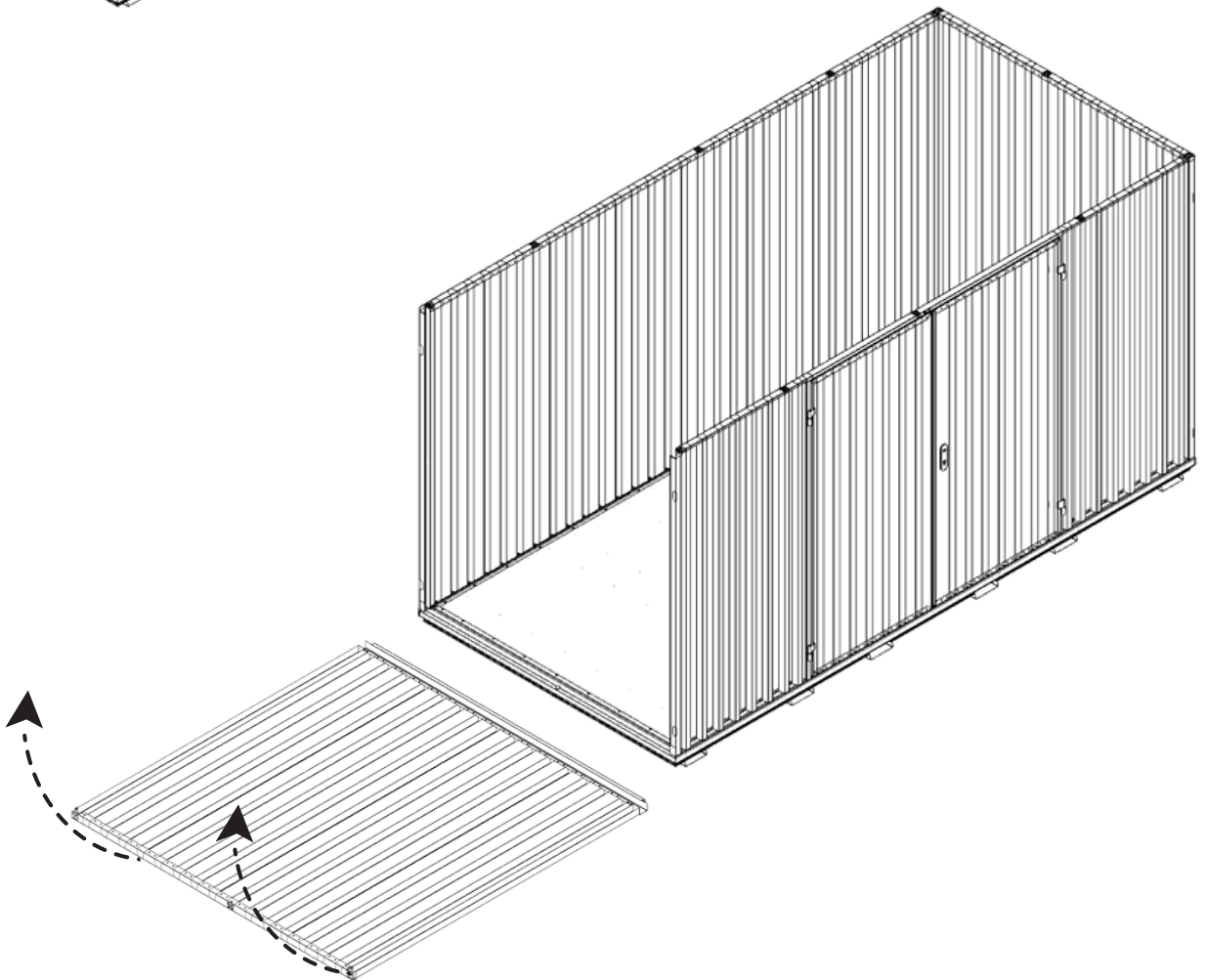
**3**



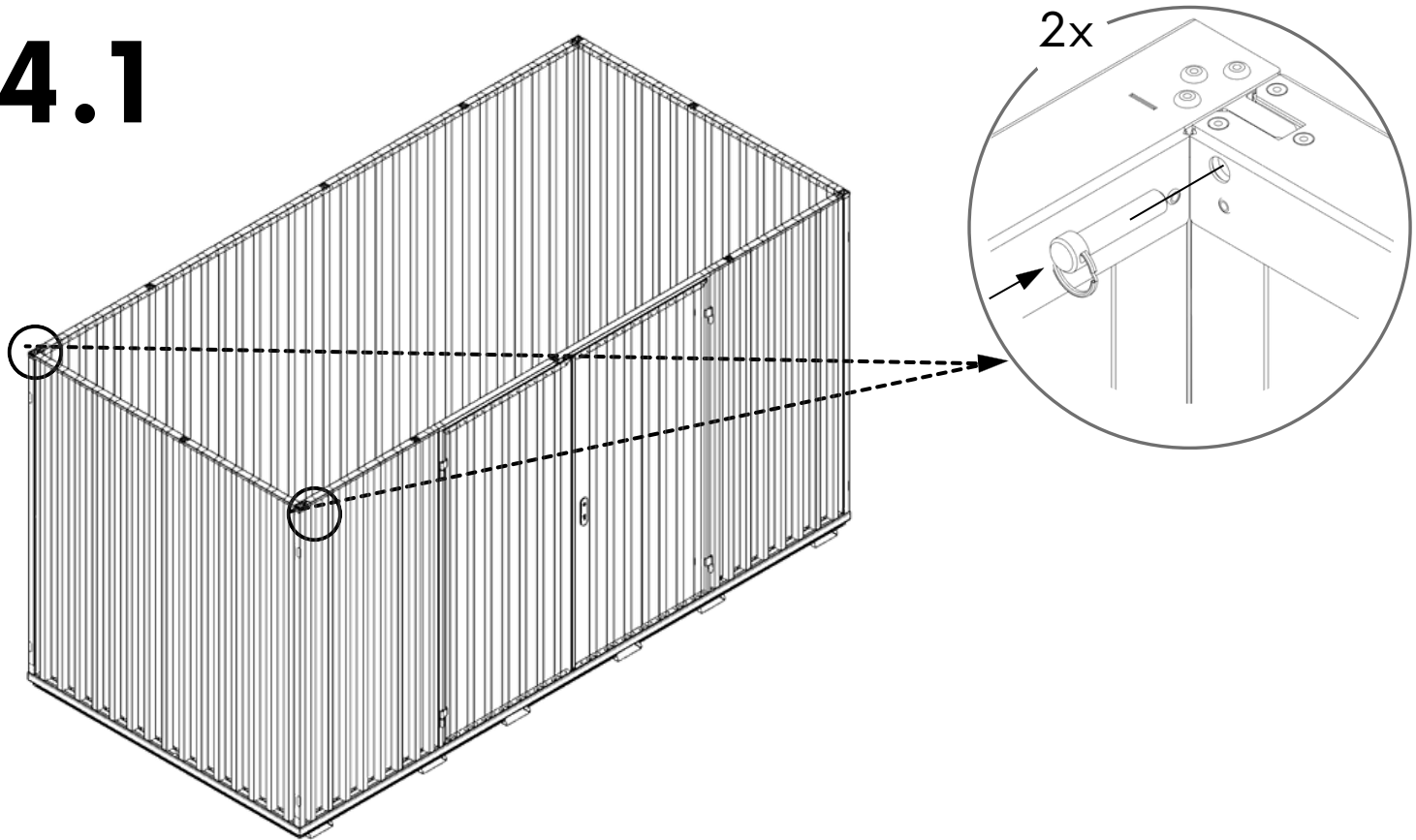
# 3.1












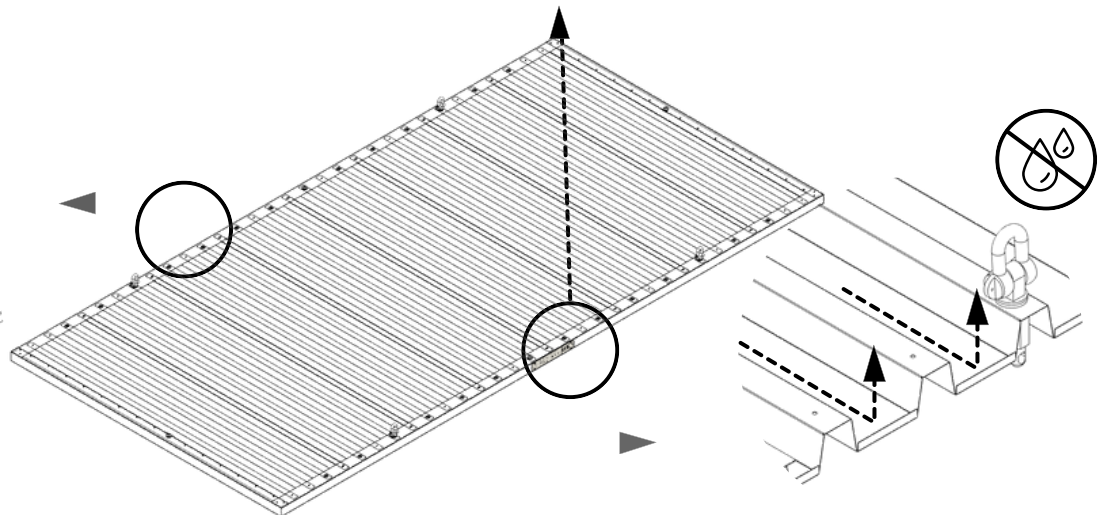
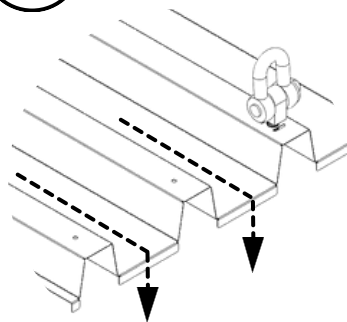
# 4



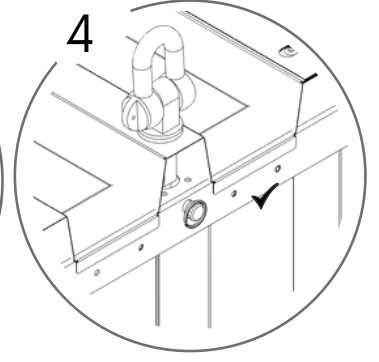
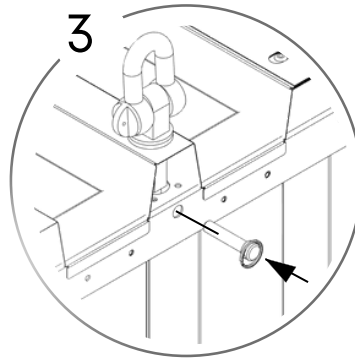
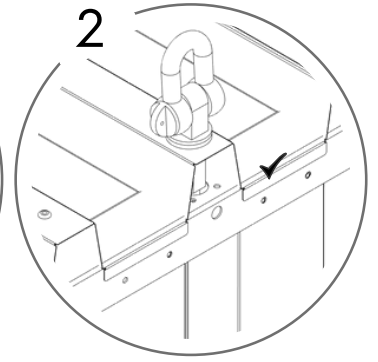
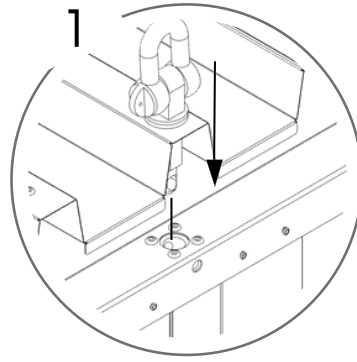
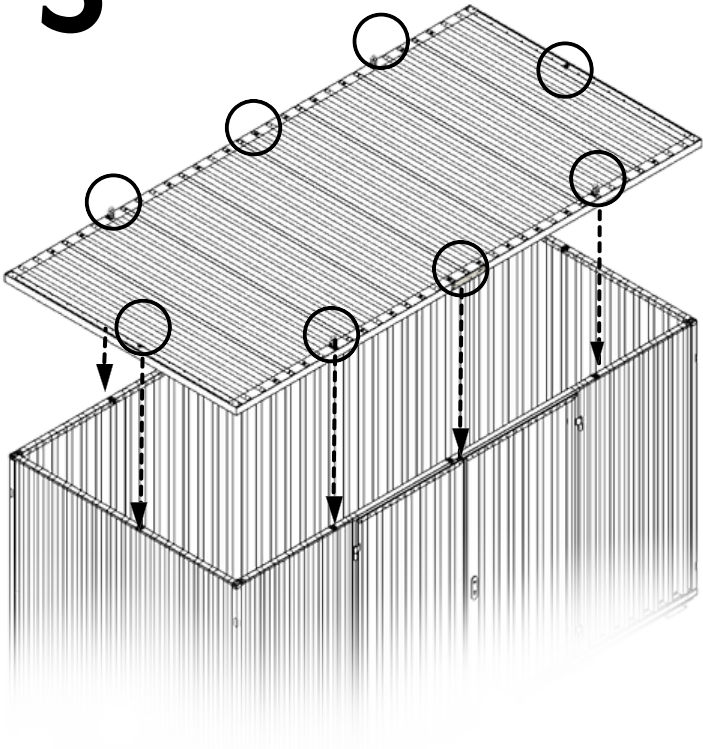
# 4.1



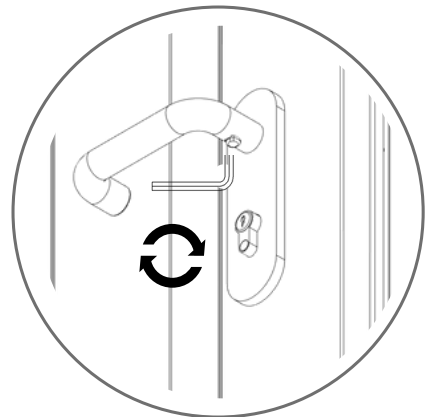
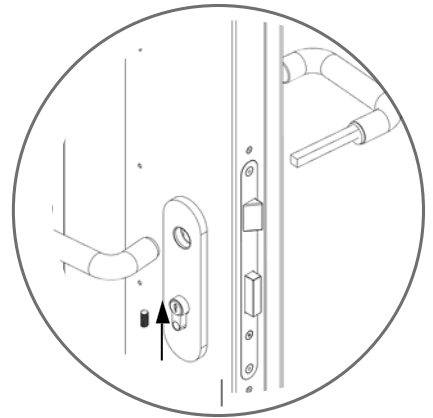
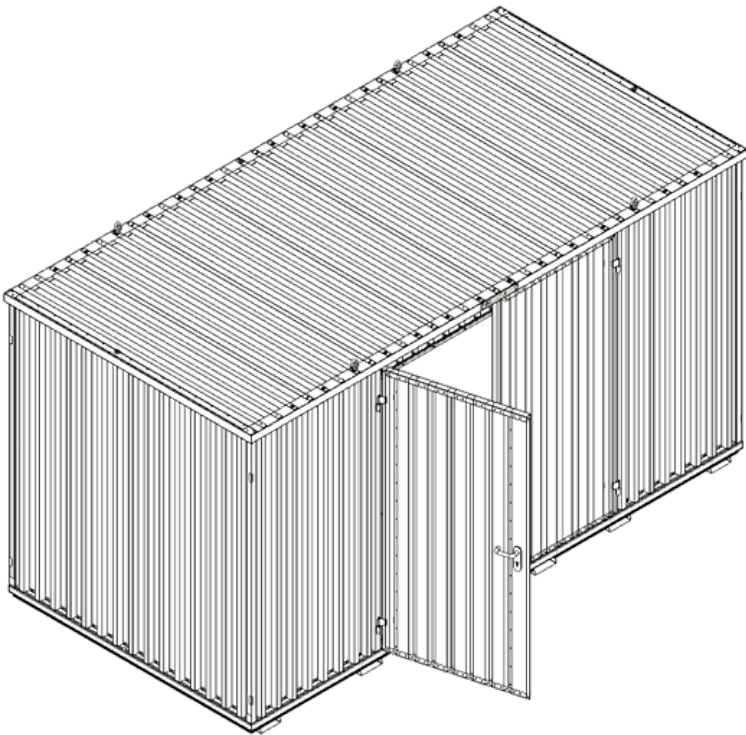
 336 KG	 3 TON	 1640 MM	Model Code: 30.110.440 Production Tracking Code: .....X09.1.30.440   	  
---	--	--	--	---



# 5



# 6



7

