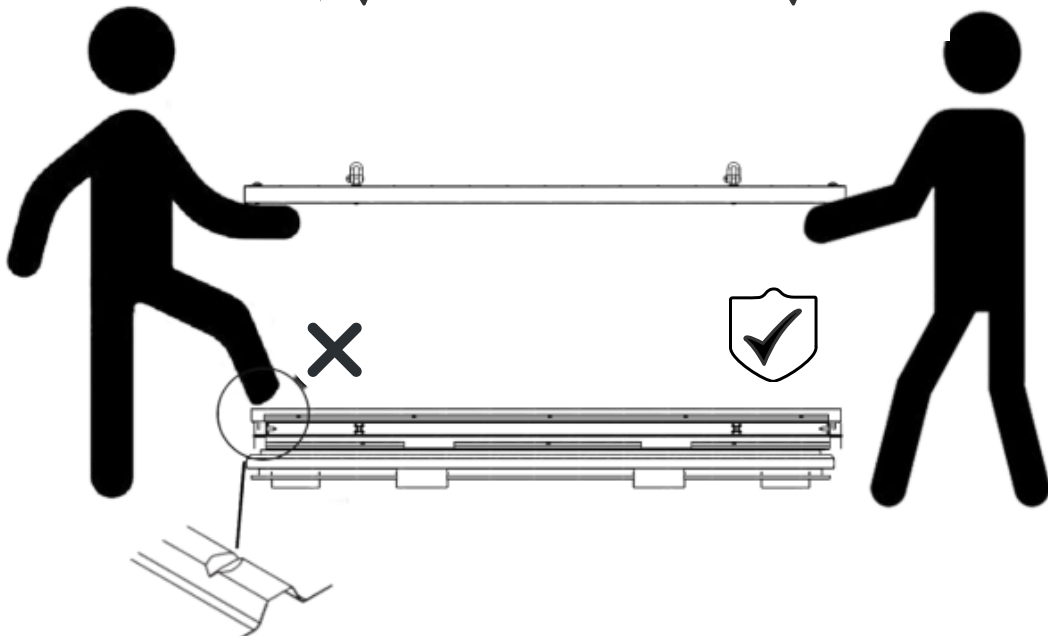
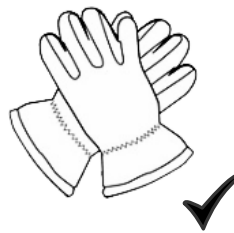


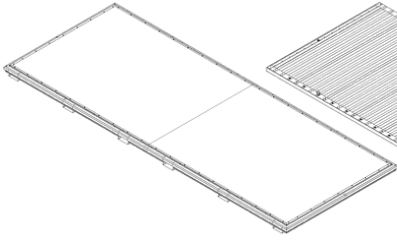
PRODUCT CODE:50.110.420

**prefabase**  
Quick Build Solutions

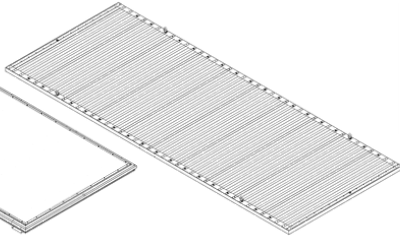
Instructions and User Guide



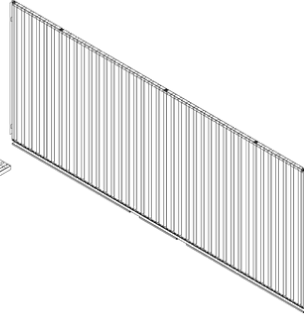
50.0110  
1x



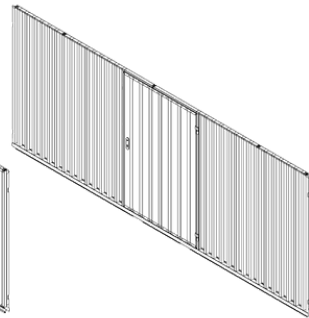
50.0510  
1x



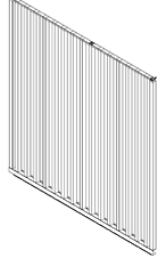
50.0410  
1x



50.0420  
1x



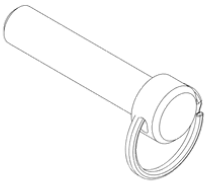
0310  
2x



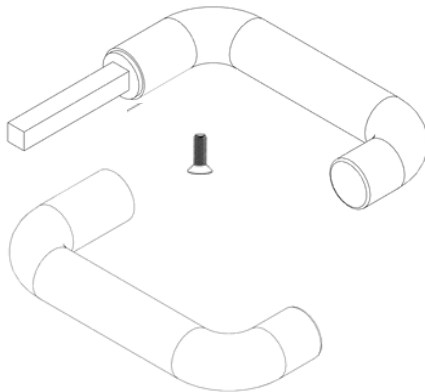
61.101  
4x



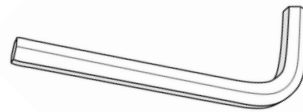
12x



1x



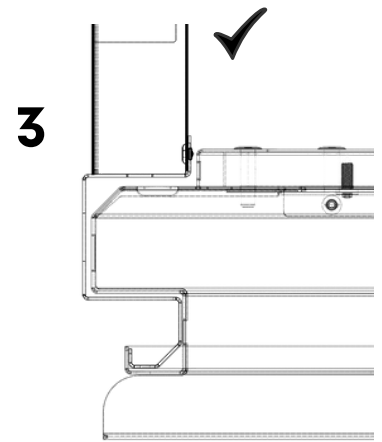
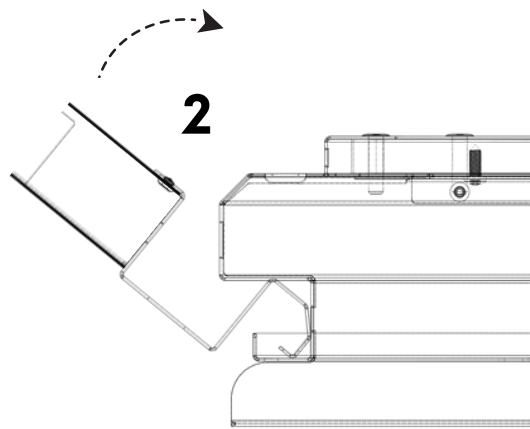
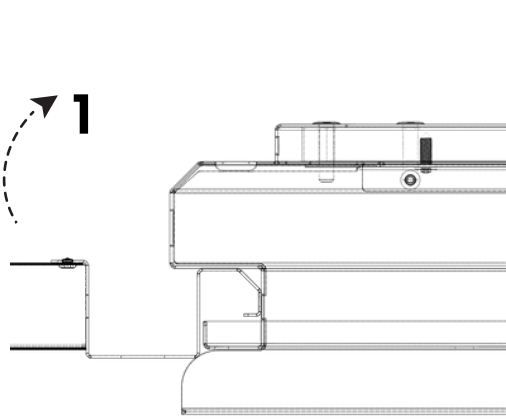
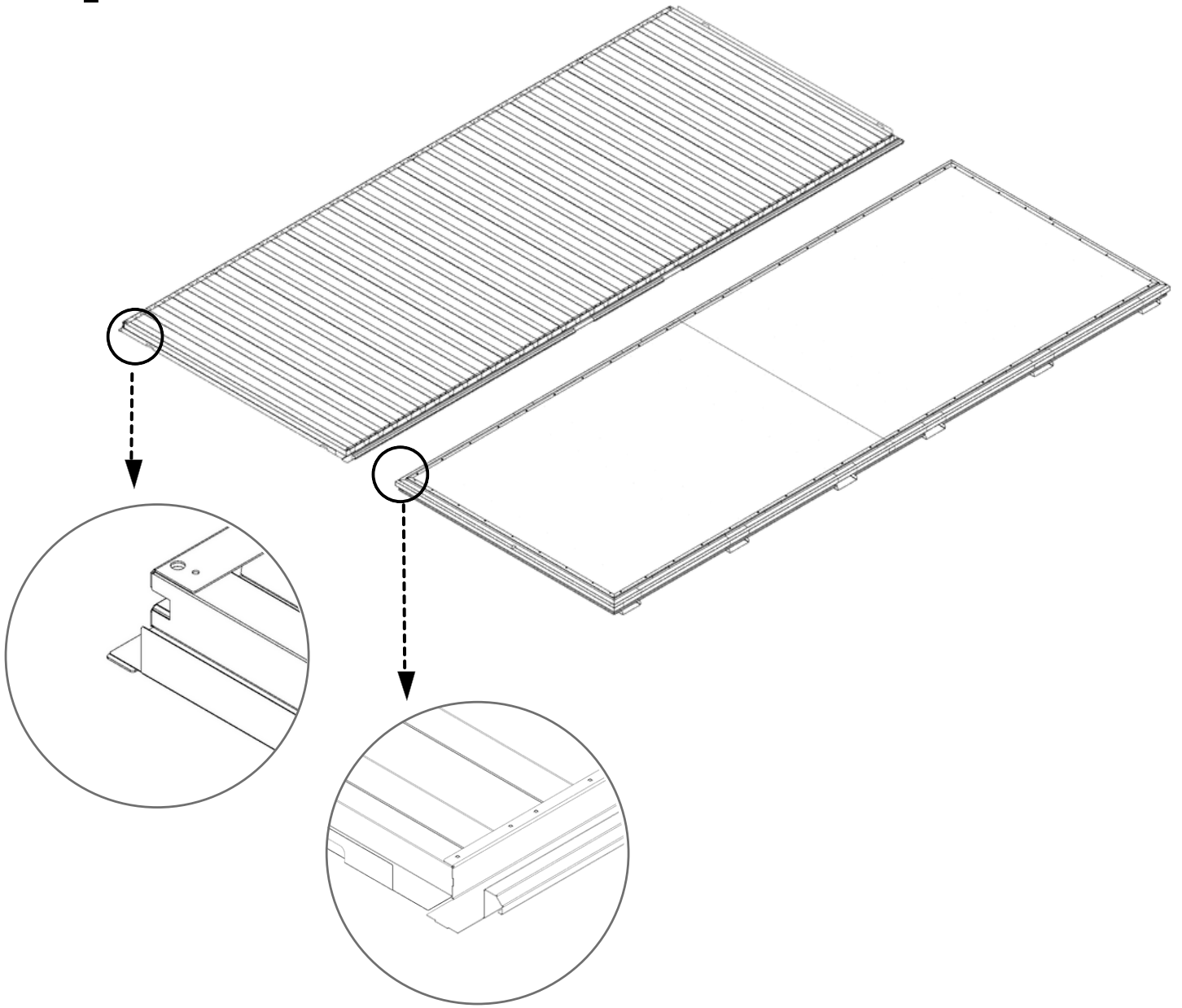
1x



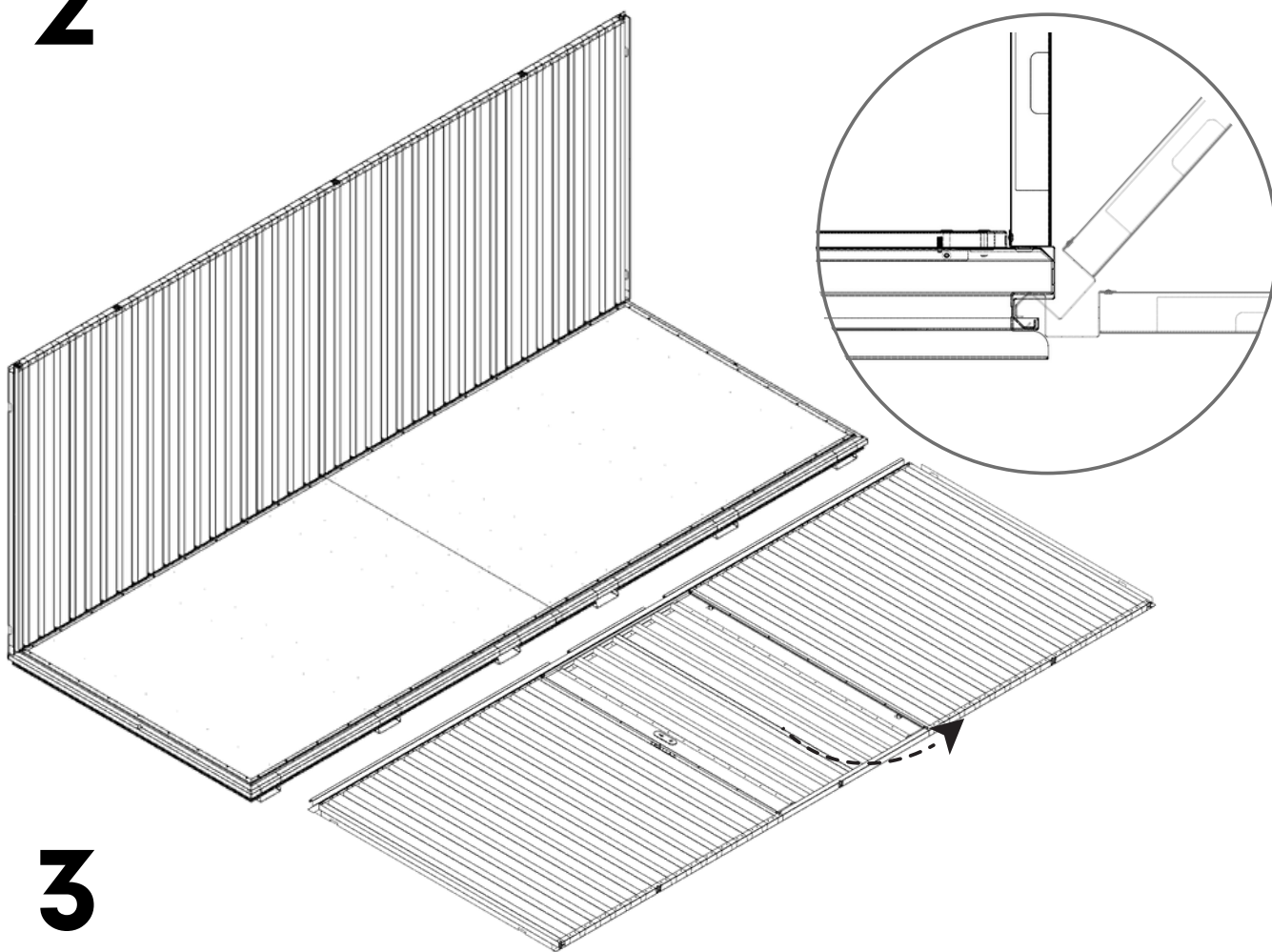
1x



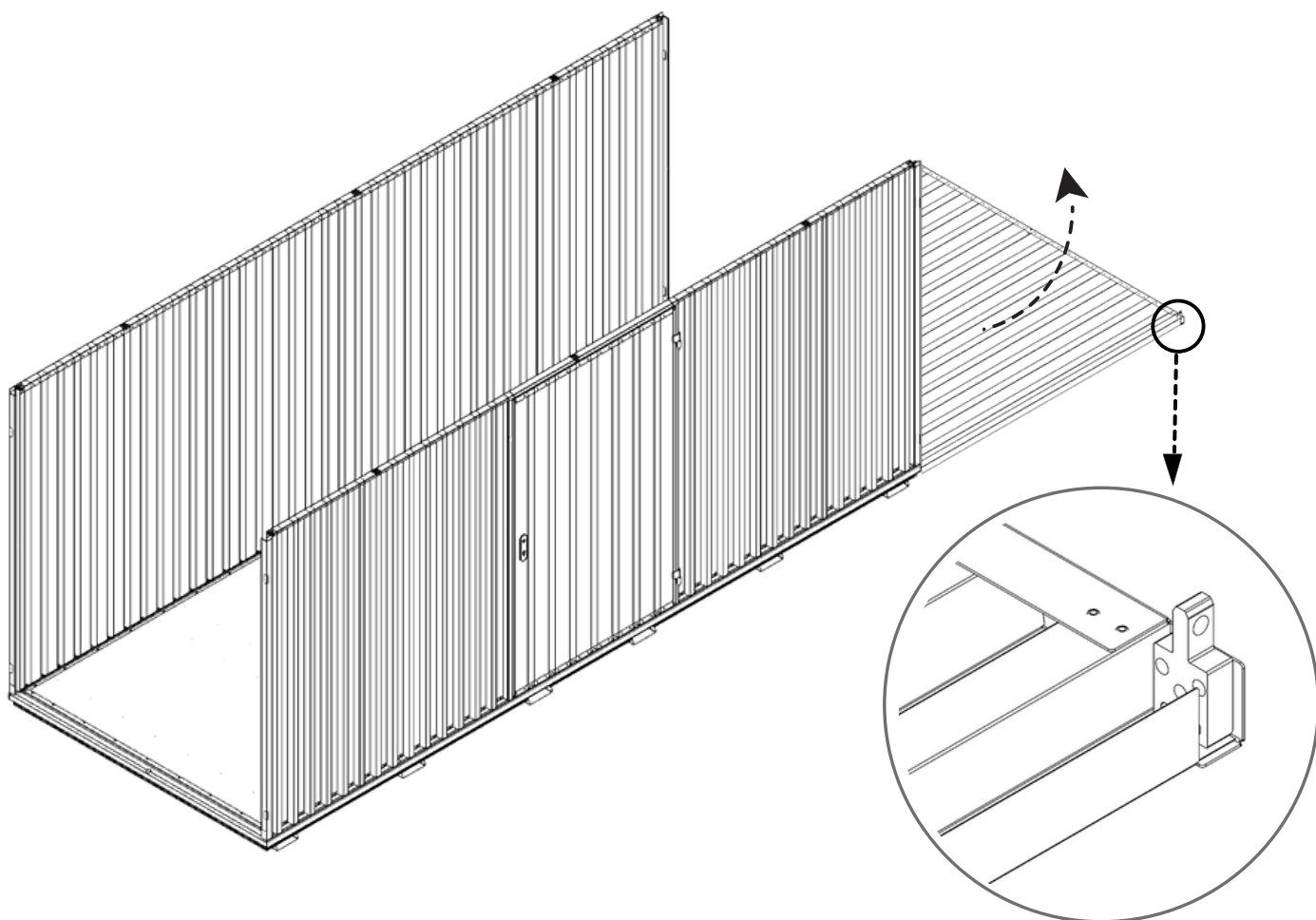
# 1



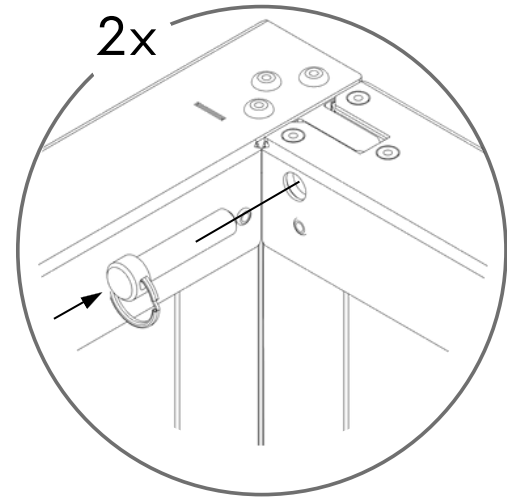
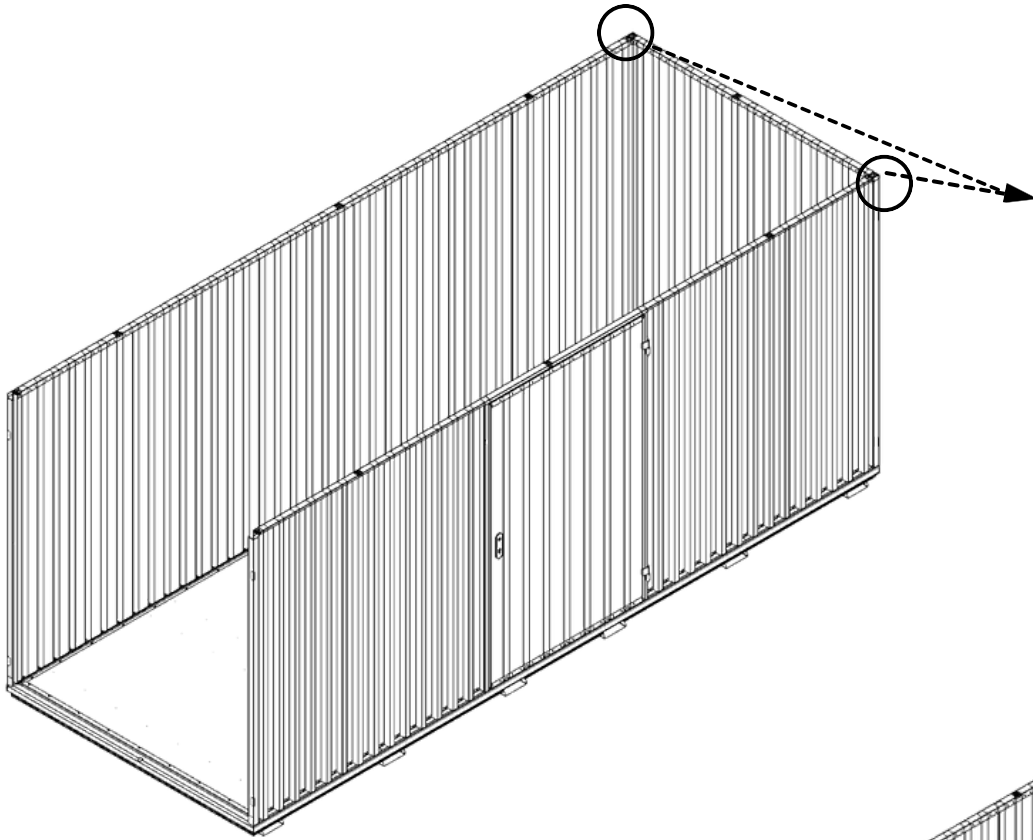
**2**



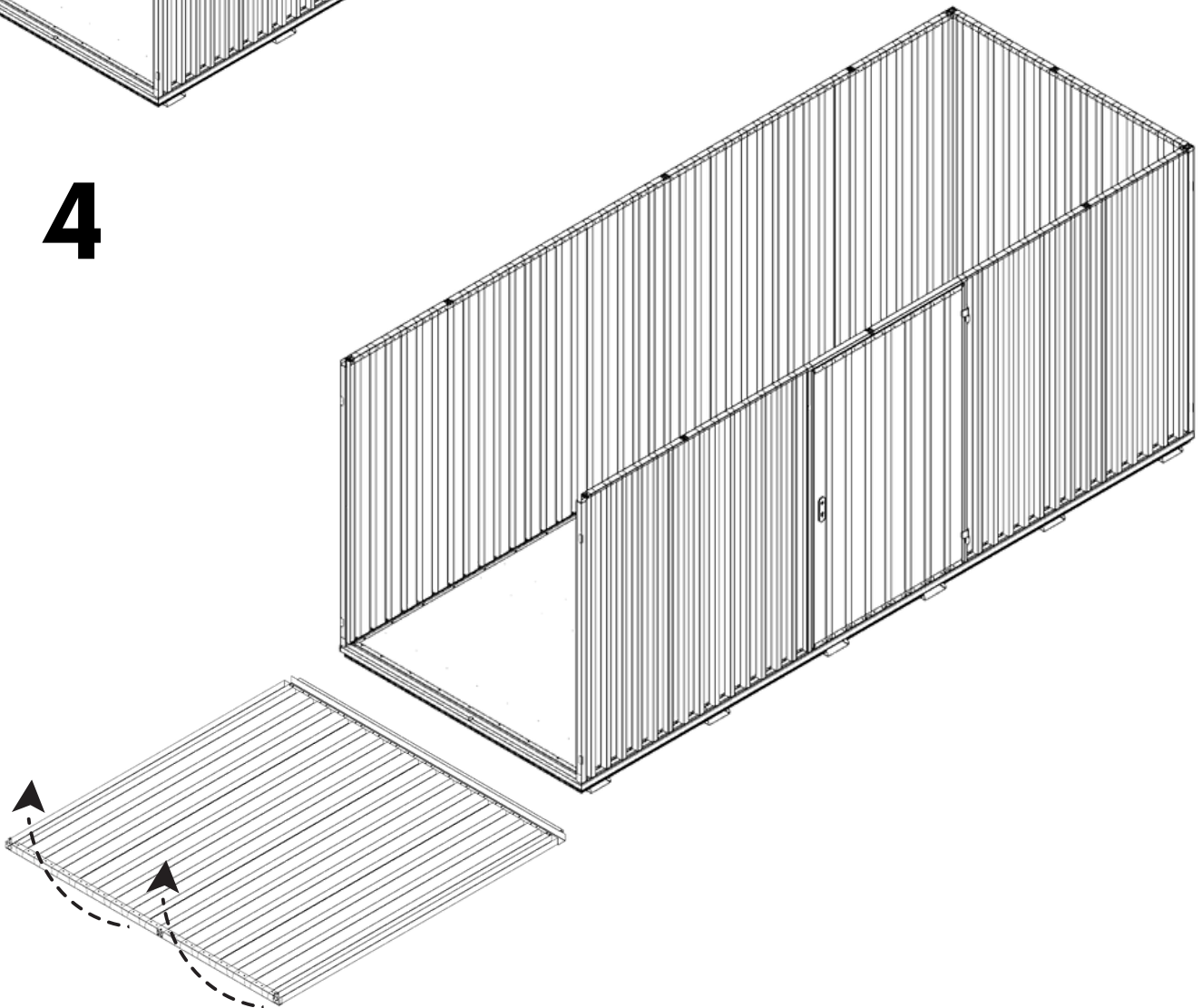
**3**



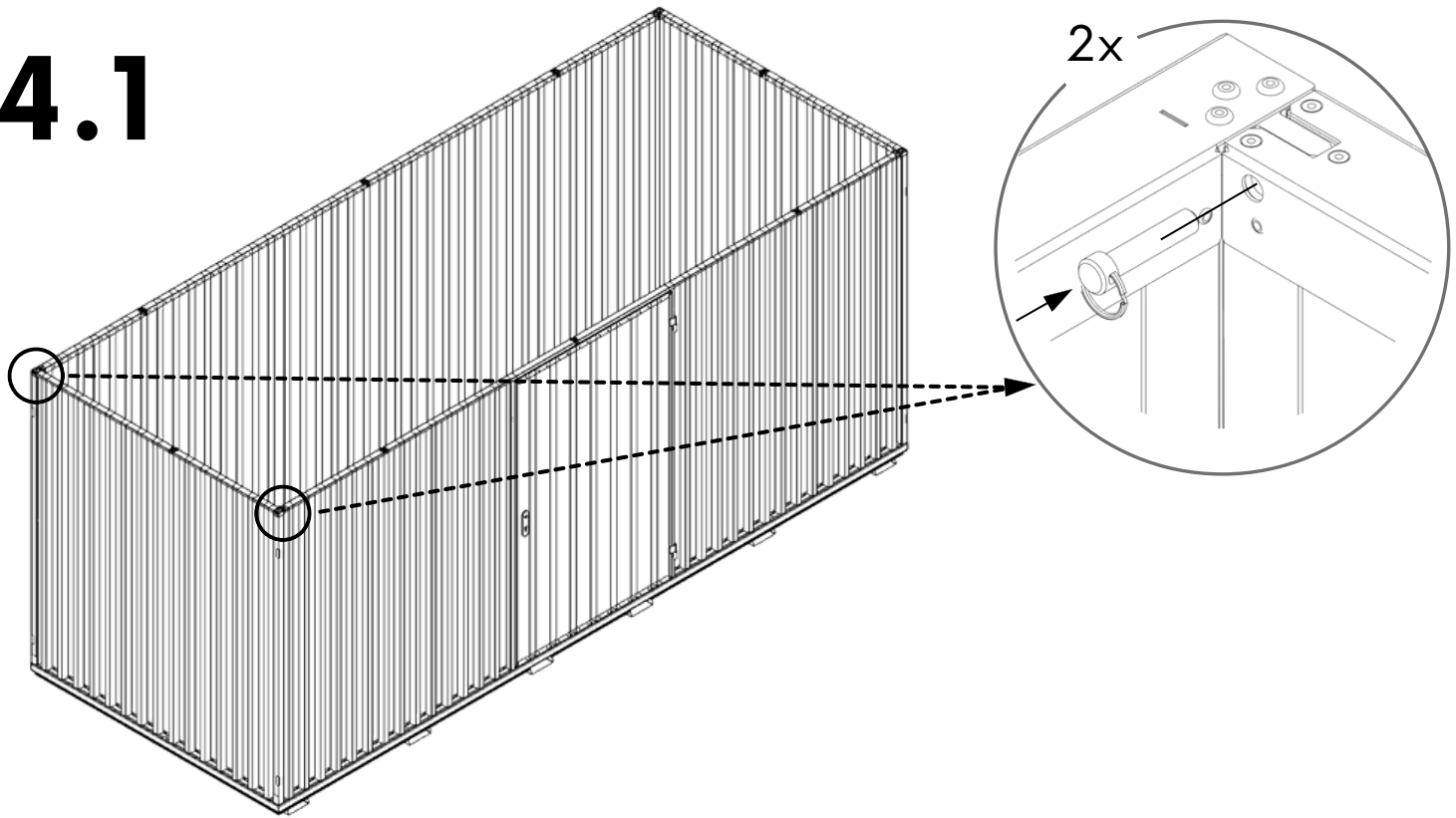
# 3.1











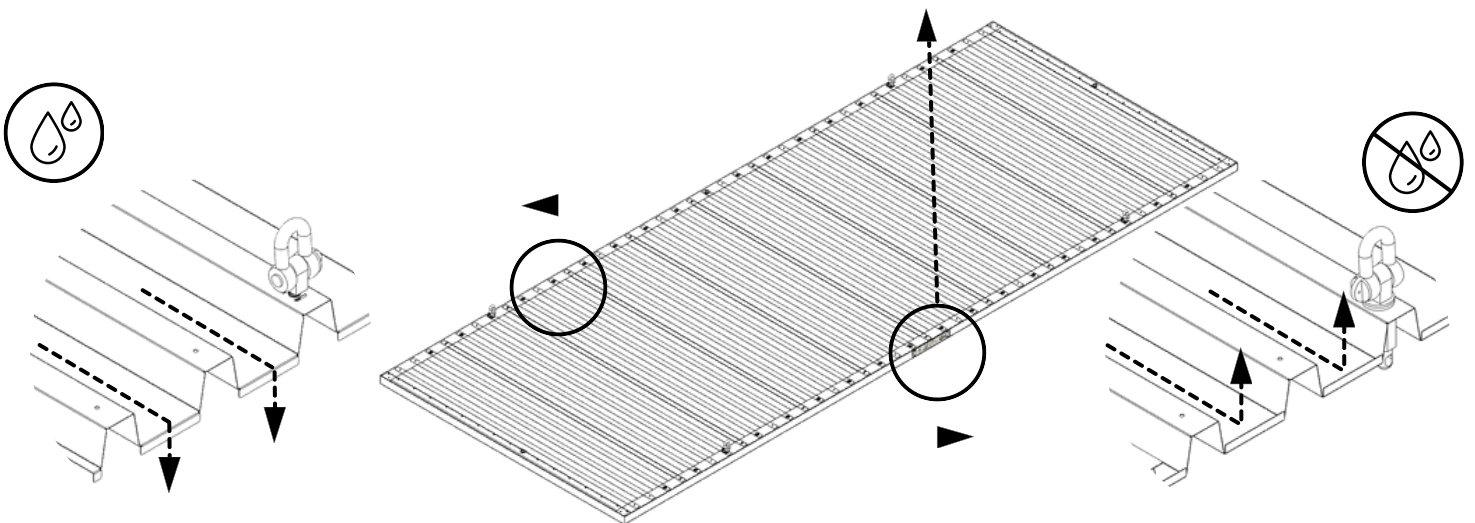
# 4



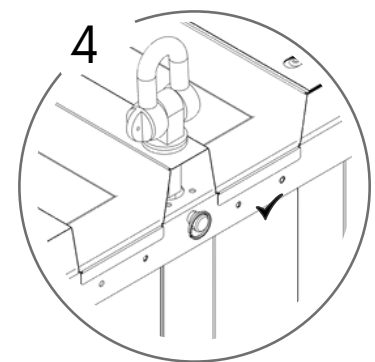
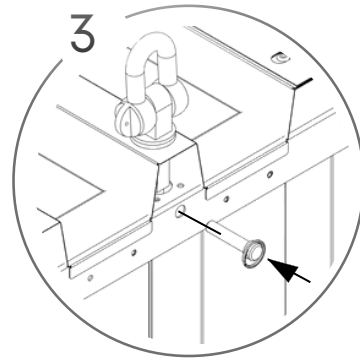
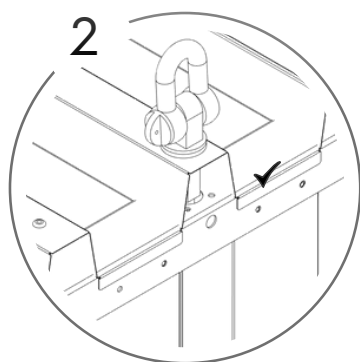
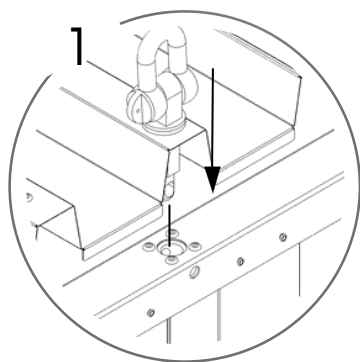
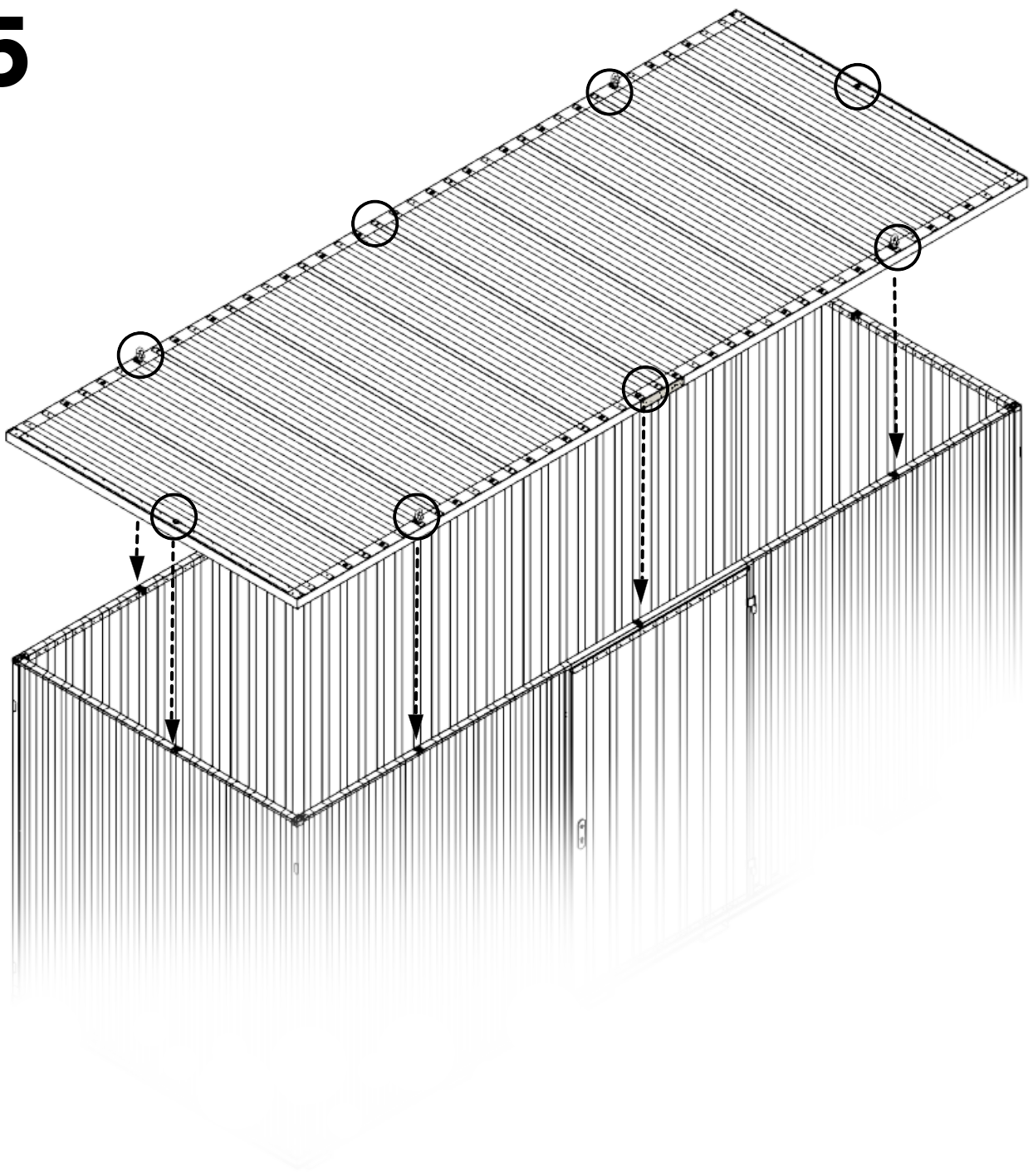
# 4.1



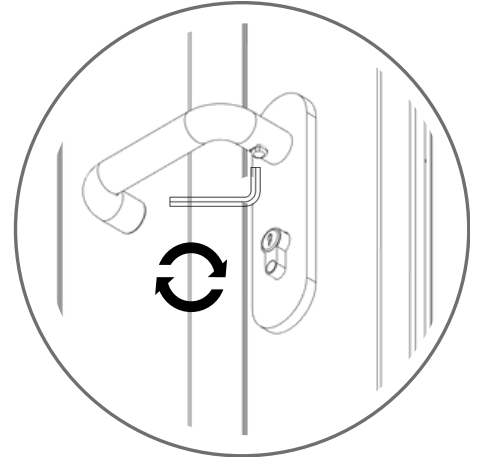
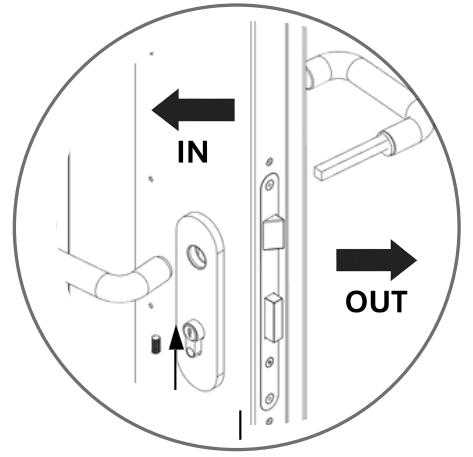
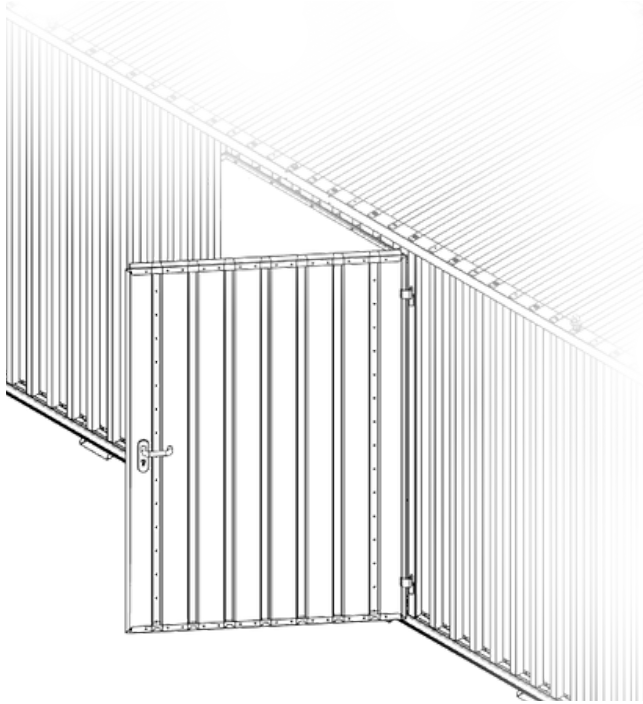
 492 KG	 1640 MM	Model Code: 50.110.420 Production Tracking Code: ..... /X09.1.50.420  9001  14001  50001	 	
---	--	--	---	---



# 5



6



7

