

PRODUCT CODE:50.110.420

**prefabase**  
Quick Build Solutions

Instructions and User Guide



50.0110  
1x

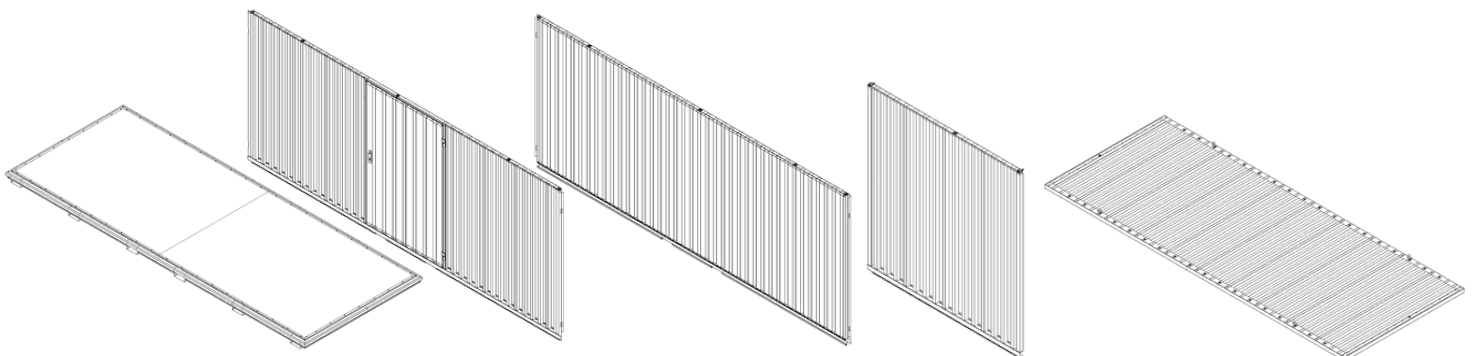
50.0420/0210  
1x

50.0410  
1x

0310  
2x

50.0510  
1x

0099.61.101  
4x





12x



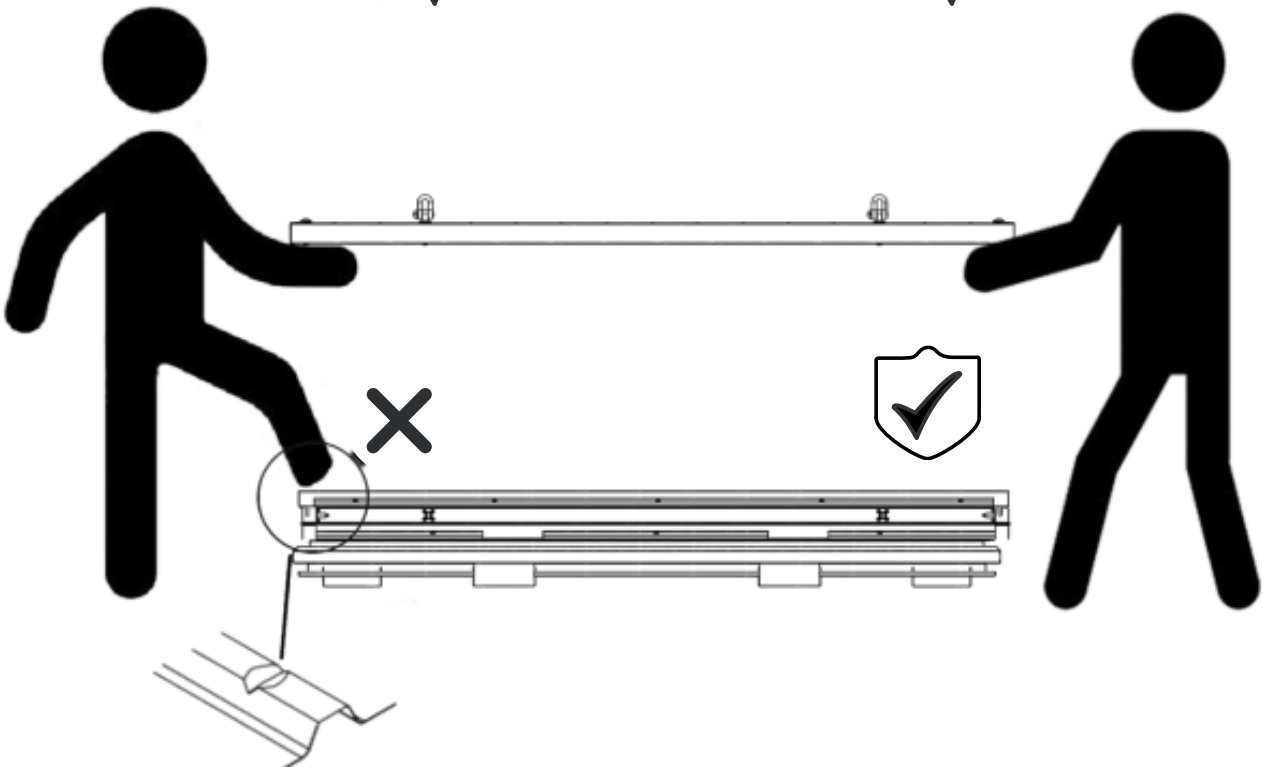
1x



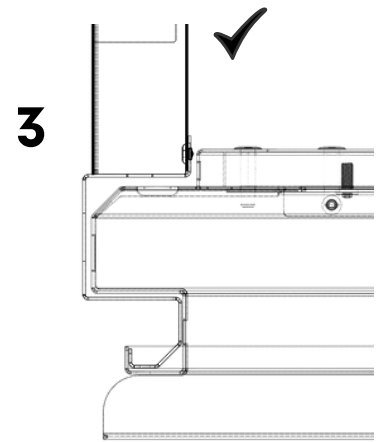
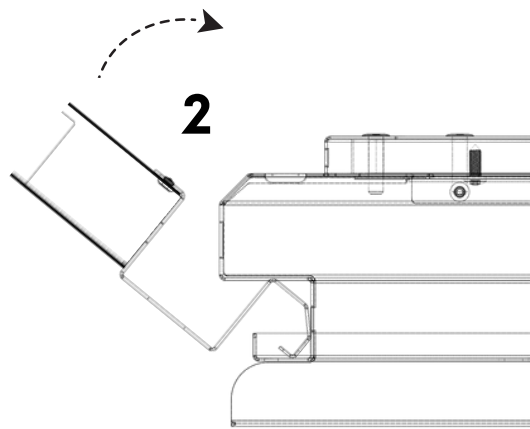
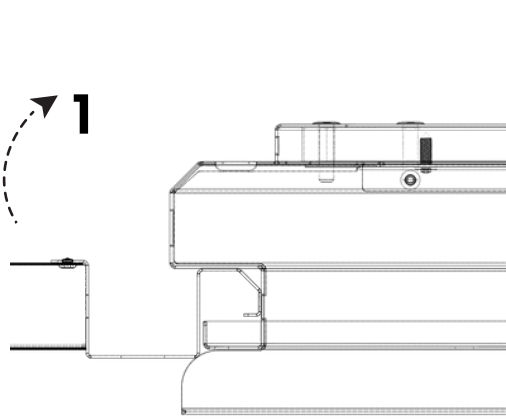
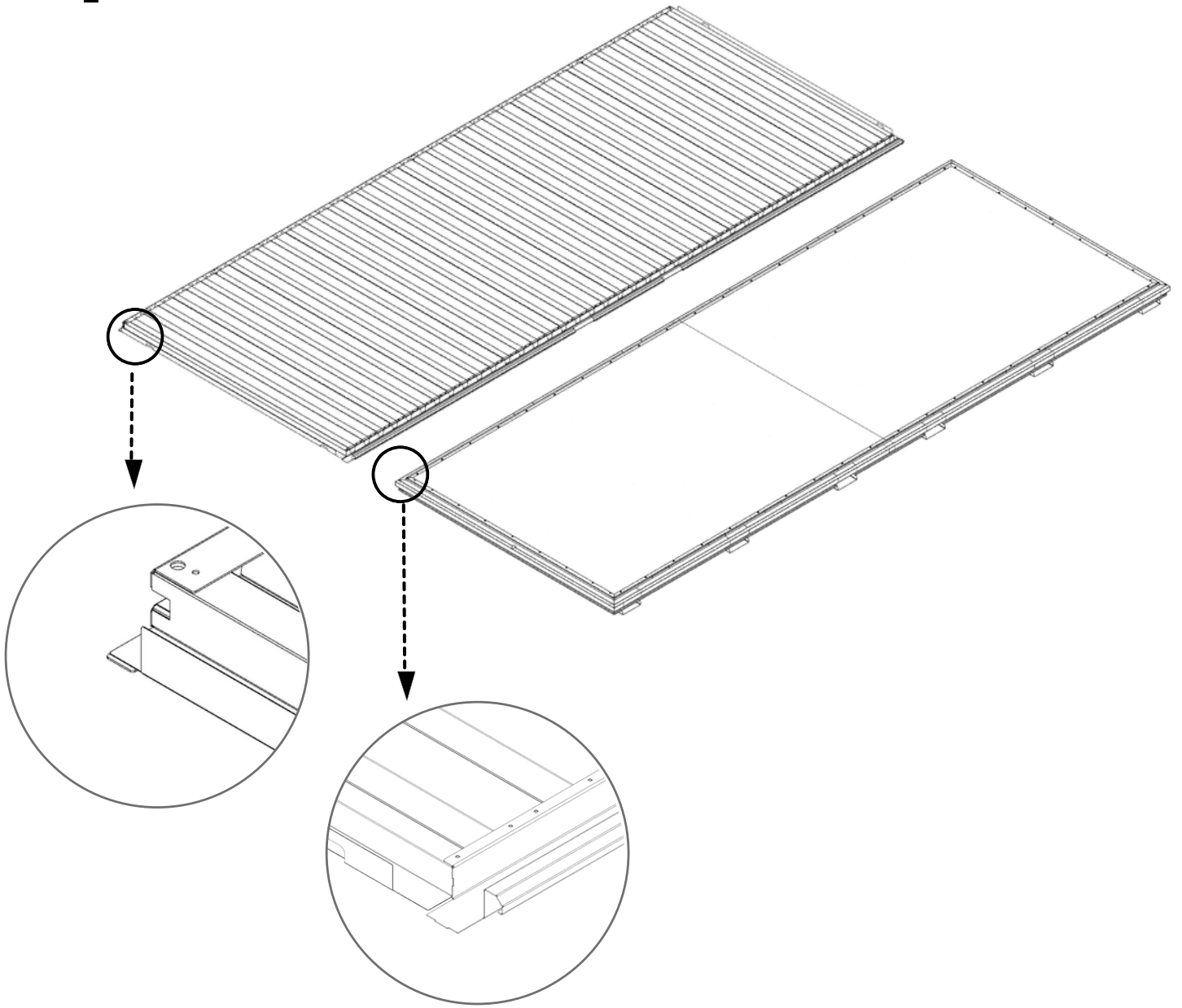
1x



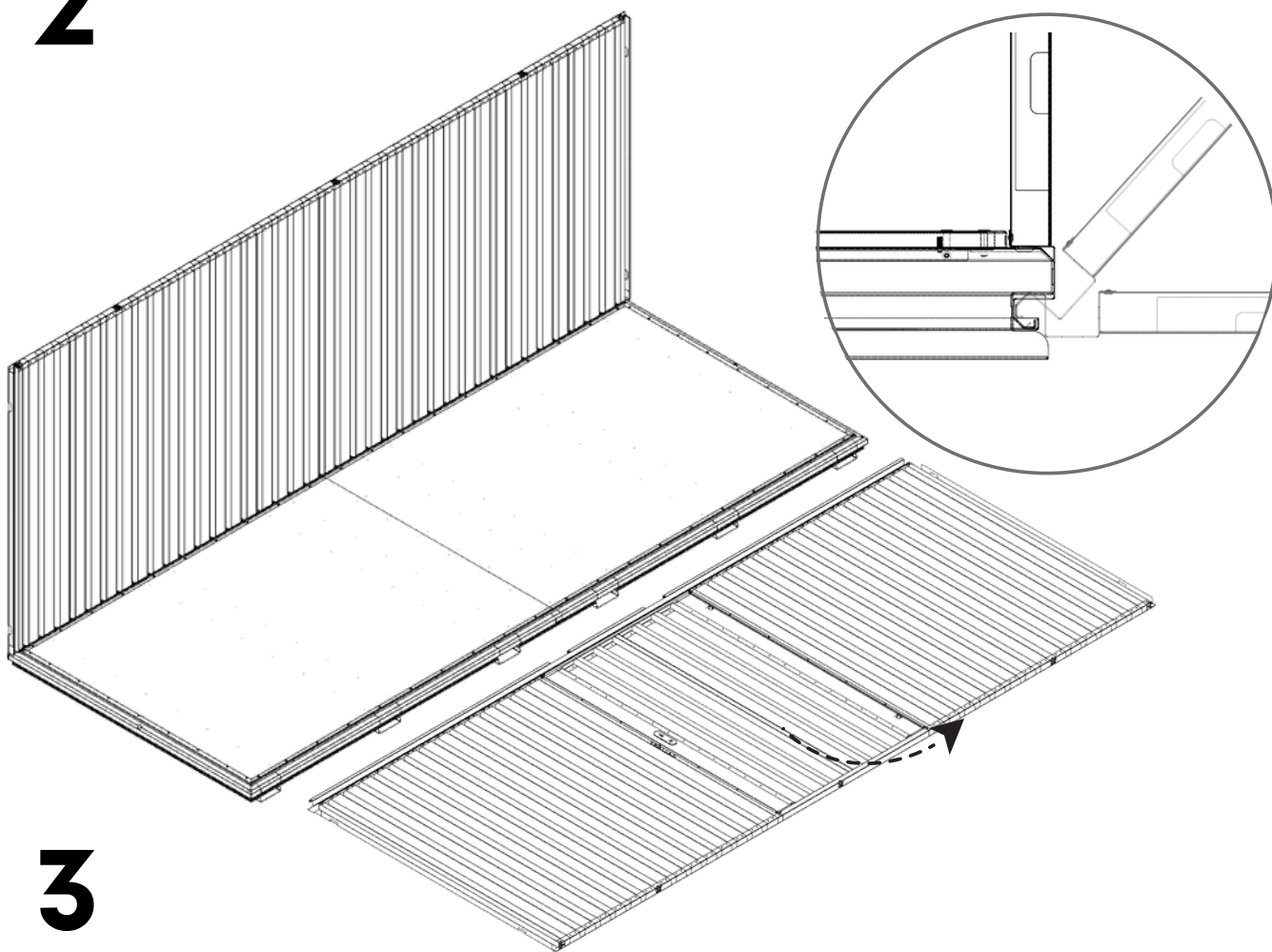
1x



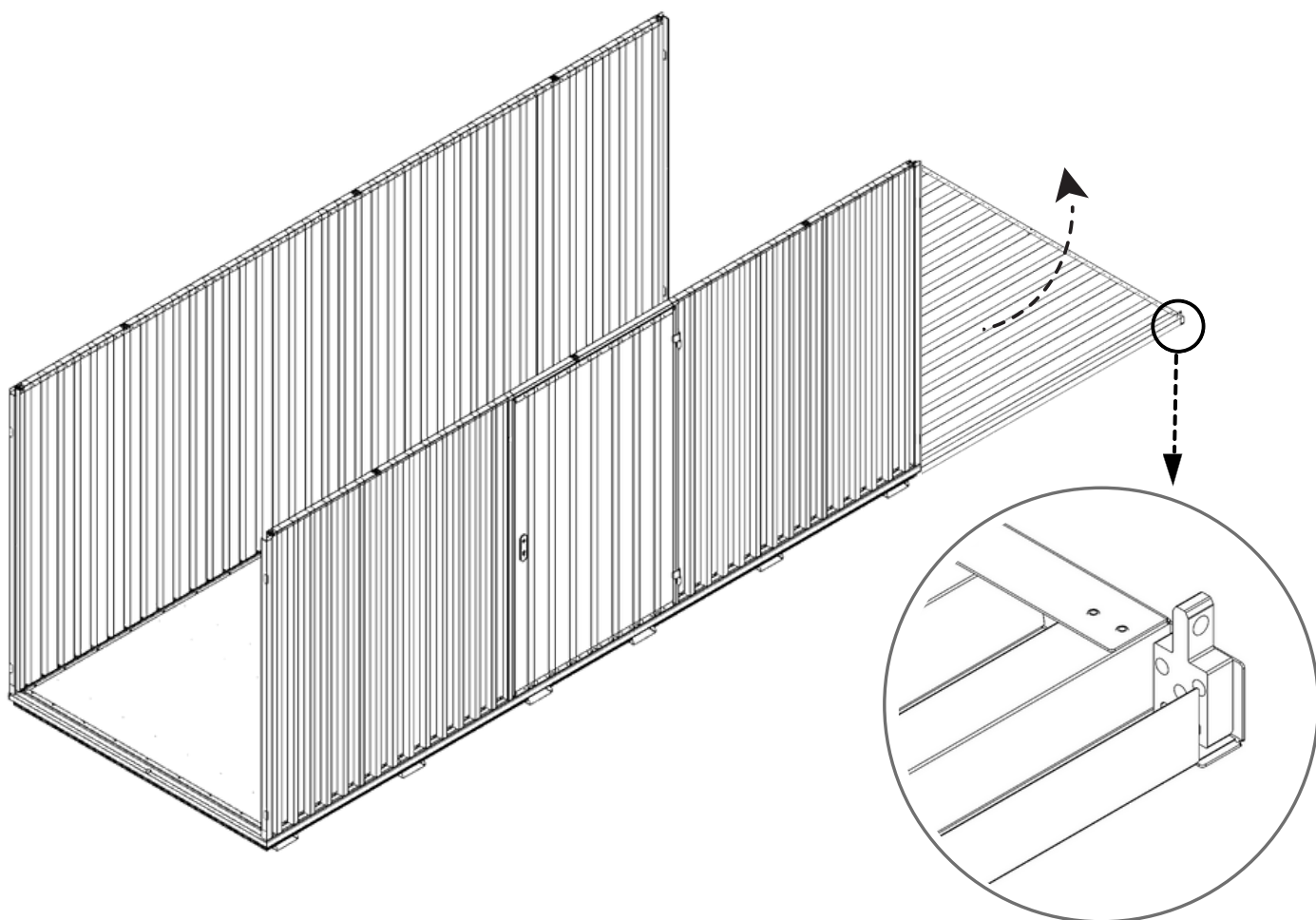
# 1



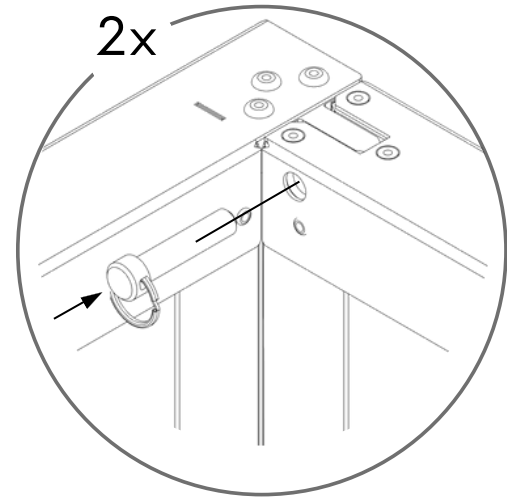
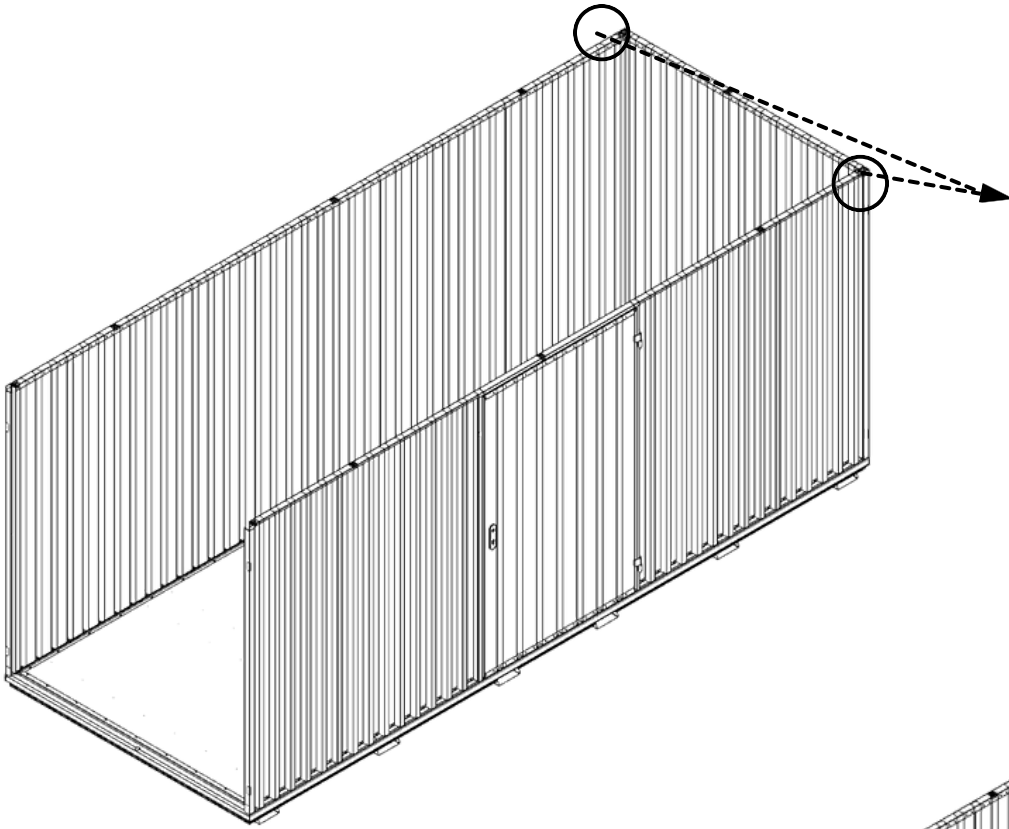
**2**



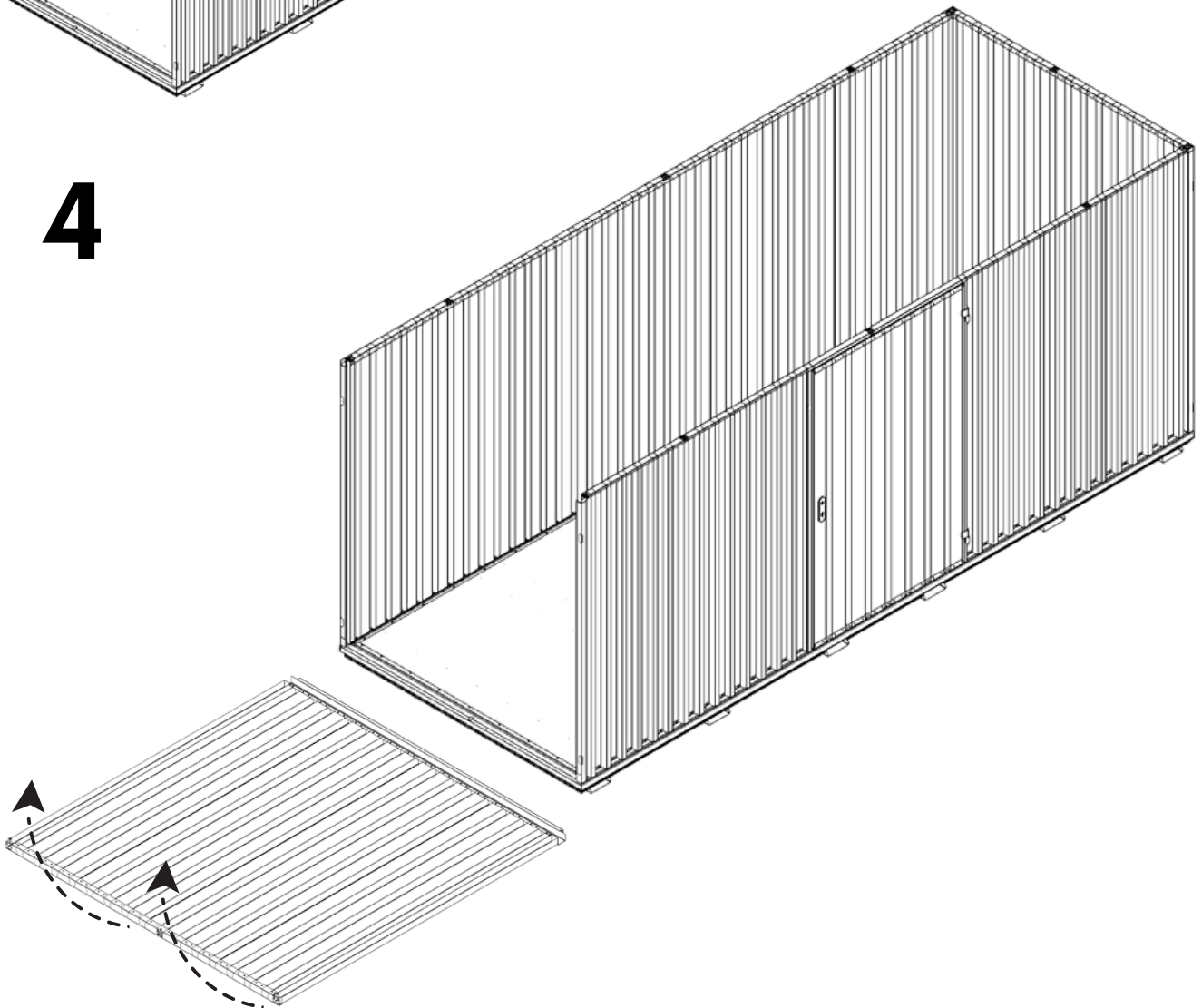
**3**



# 3.1

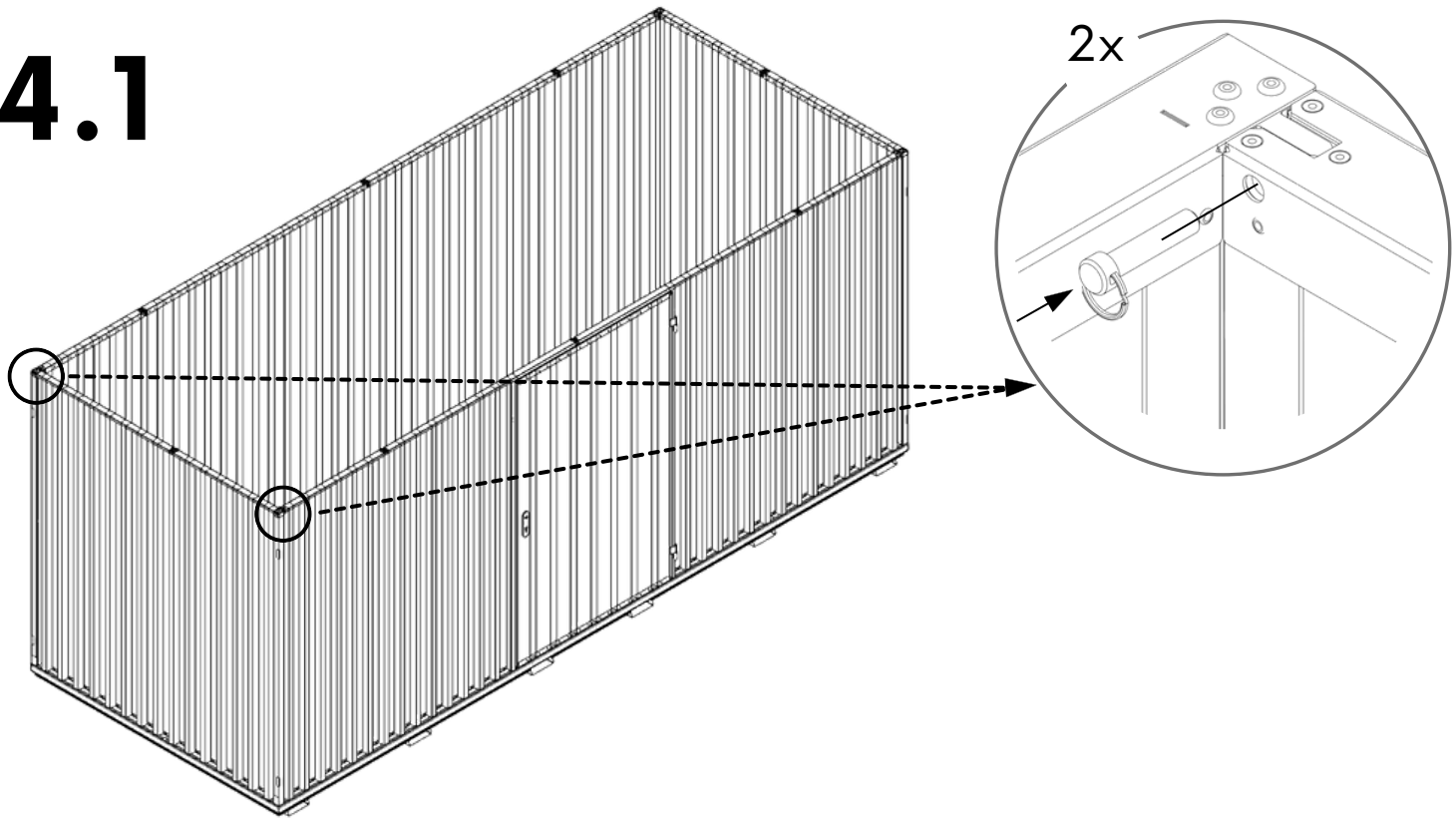











# 4

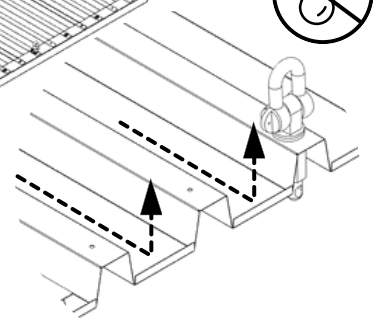
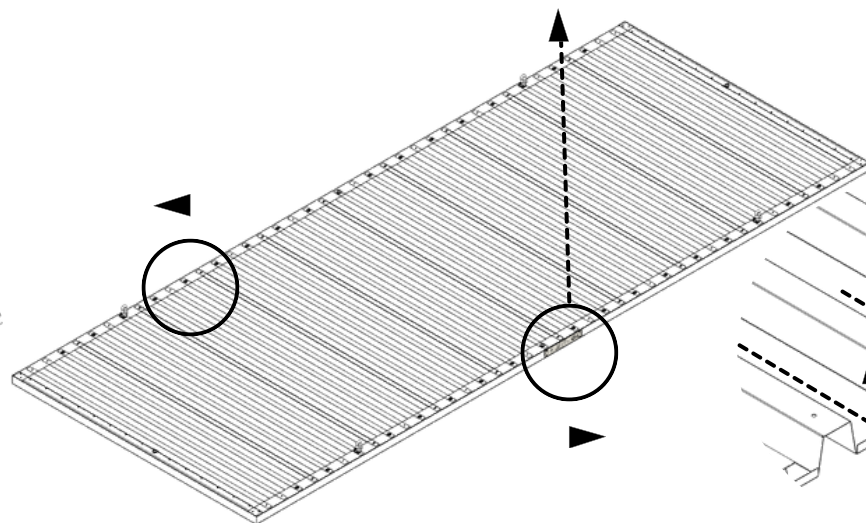
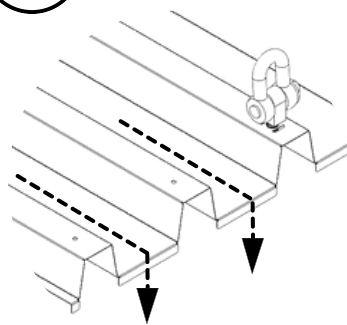




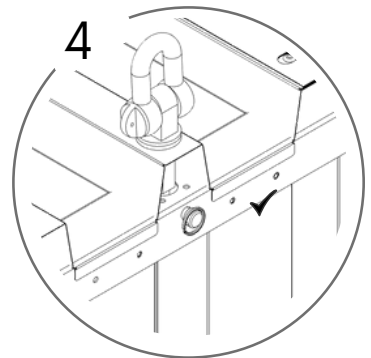
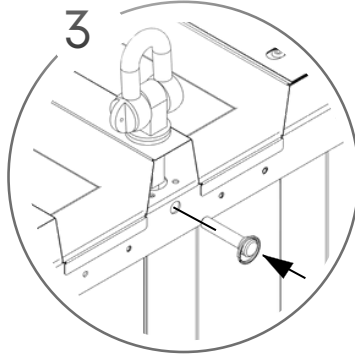
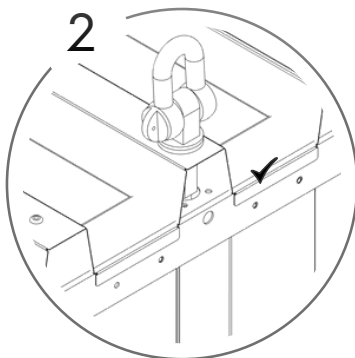
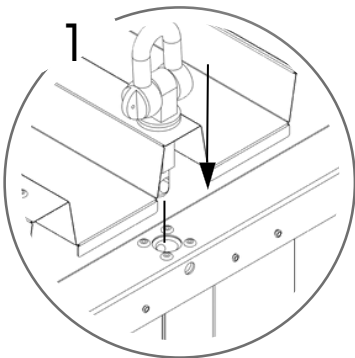
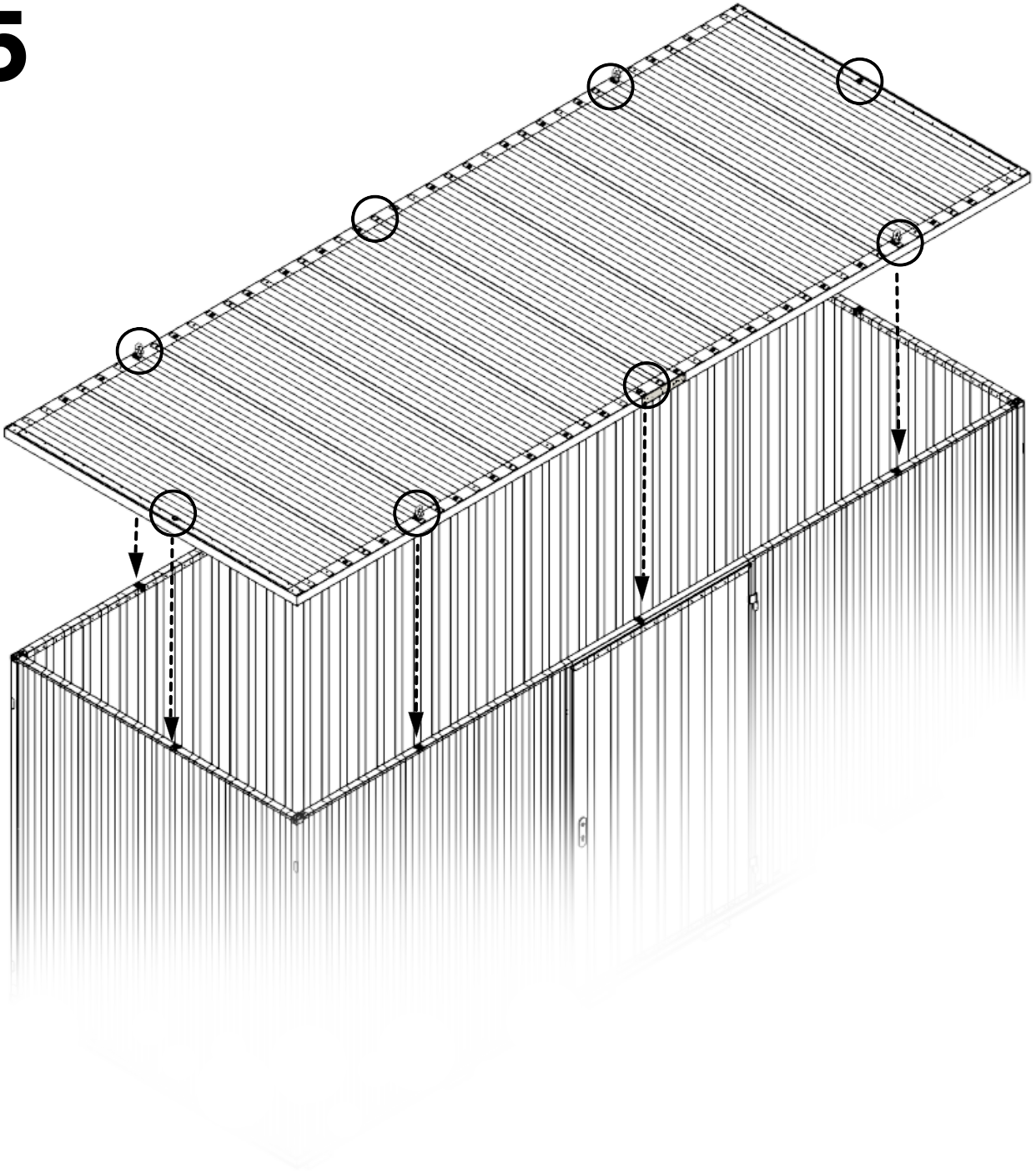
# 4.1



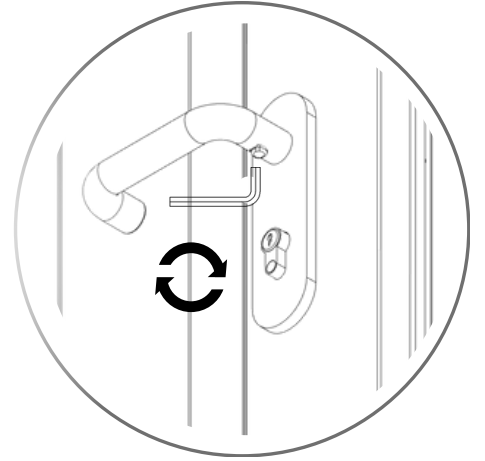
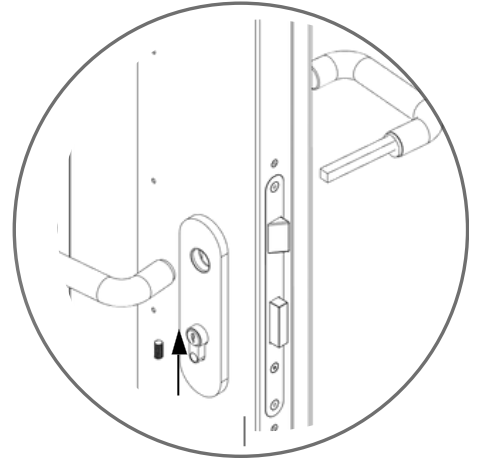
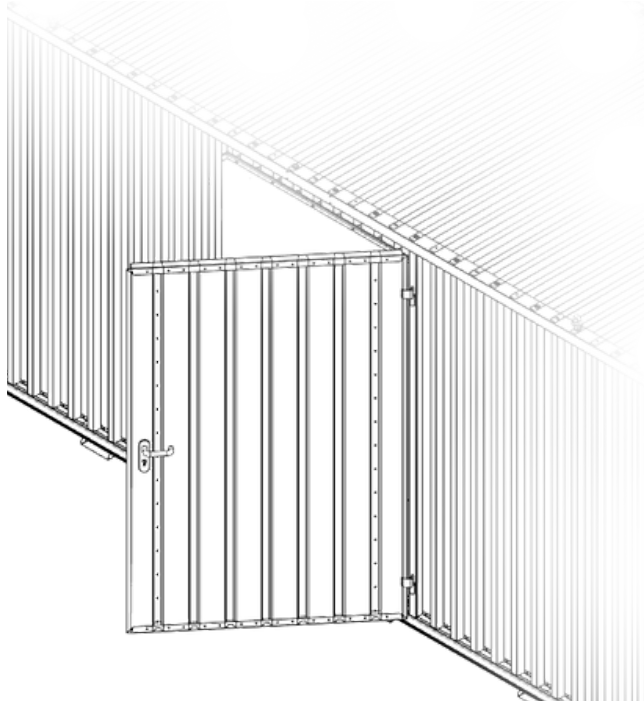
 336 KG	 3 TON	 1640 MM	Model Code: 30.110.440 Production Tracking Code: .....X09.1.30.440  9001  14001  50001	  
---	--	--	---	---



# 5



6



7

