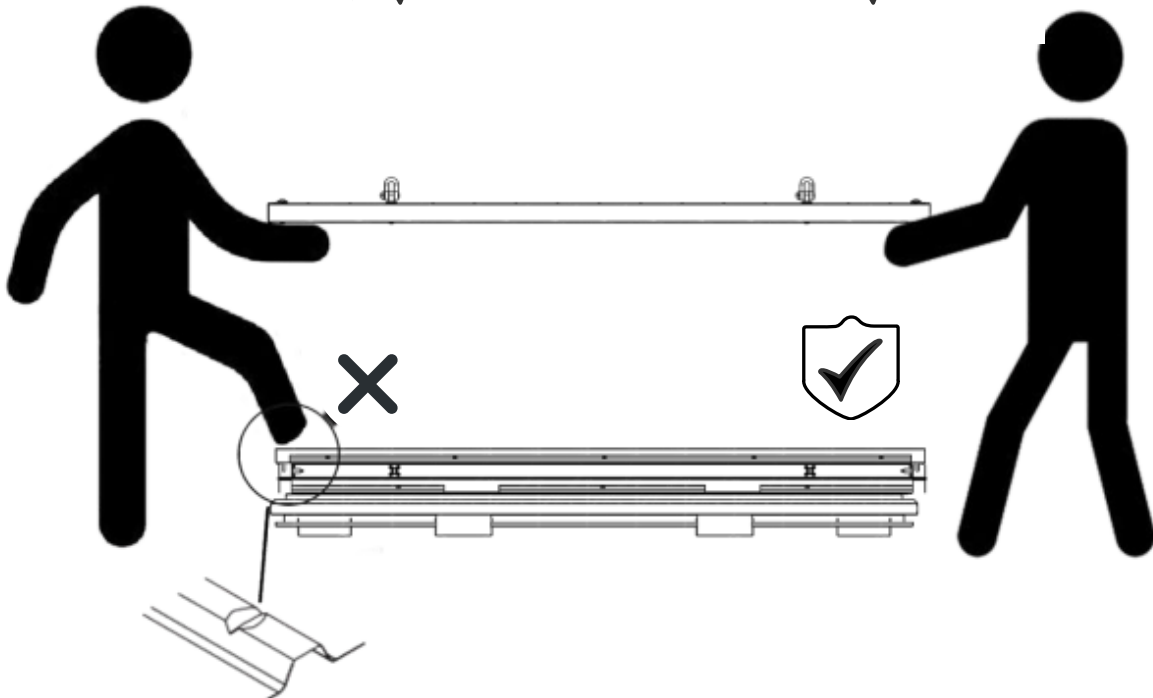
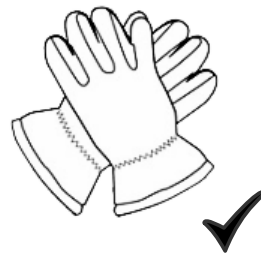
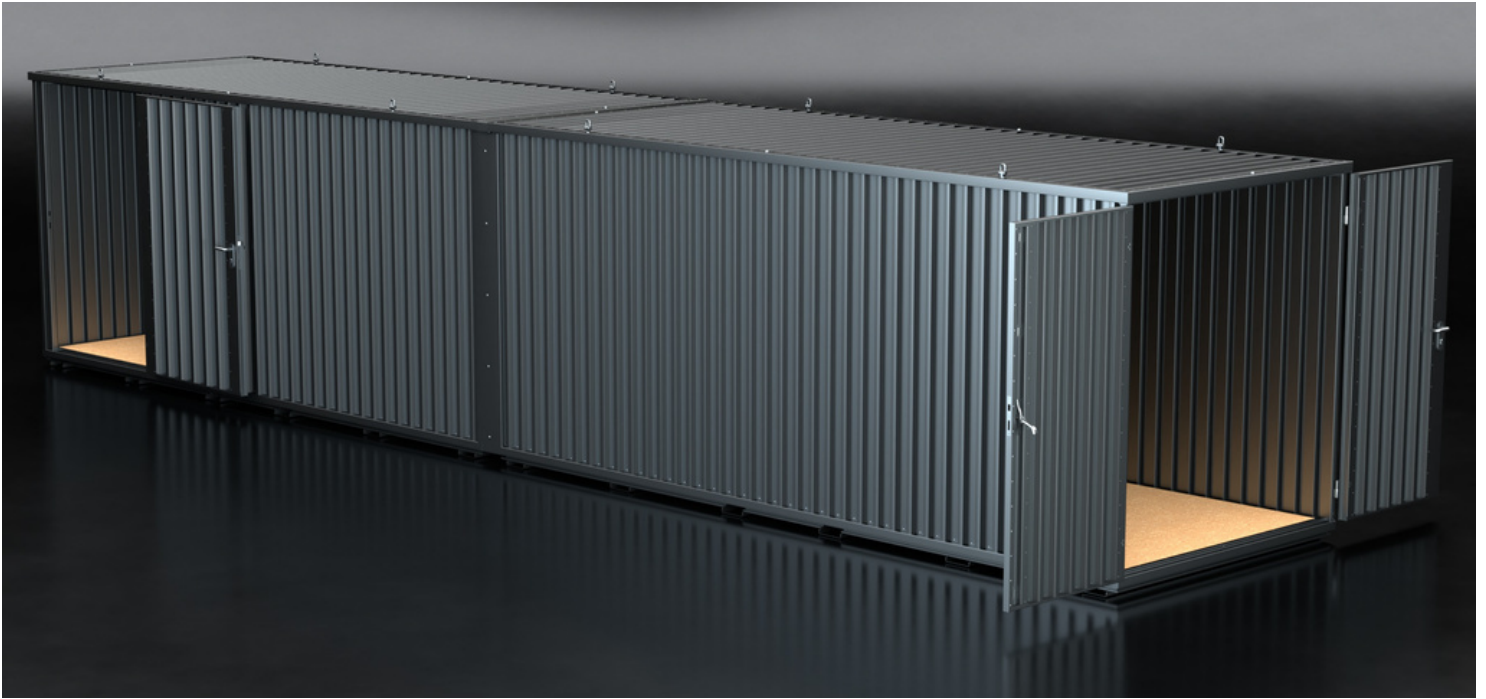


PRODUCT CODE:5050.110.450.330

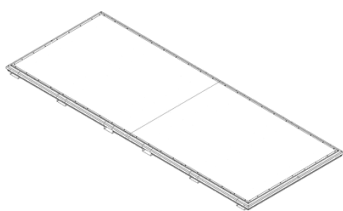
prefabase
Quick Build Solutions

Instructions and User Guide



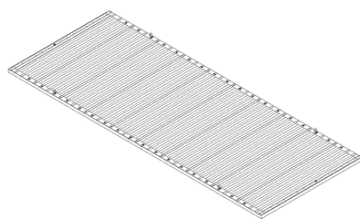
50.0110

2x



50.0510

2x



306.0110

1x



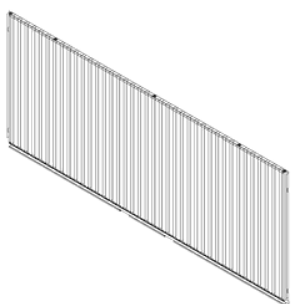
306.0510

1x



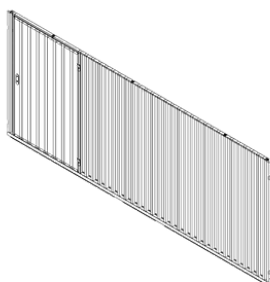
50.0410

3x



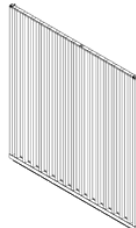
50.0450

1x



0310

1x



0330

1x



306.40.05

2x



306.40.04

2x

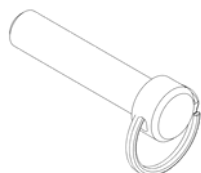


61.101

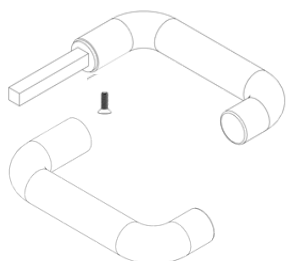
2x



24x



2x



10x



10x



10x



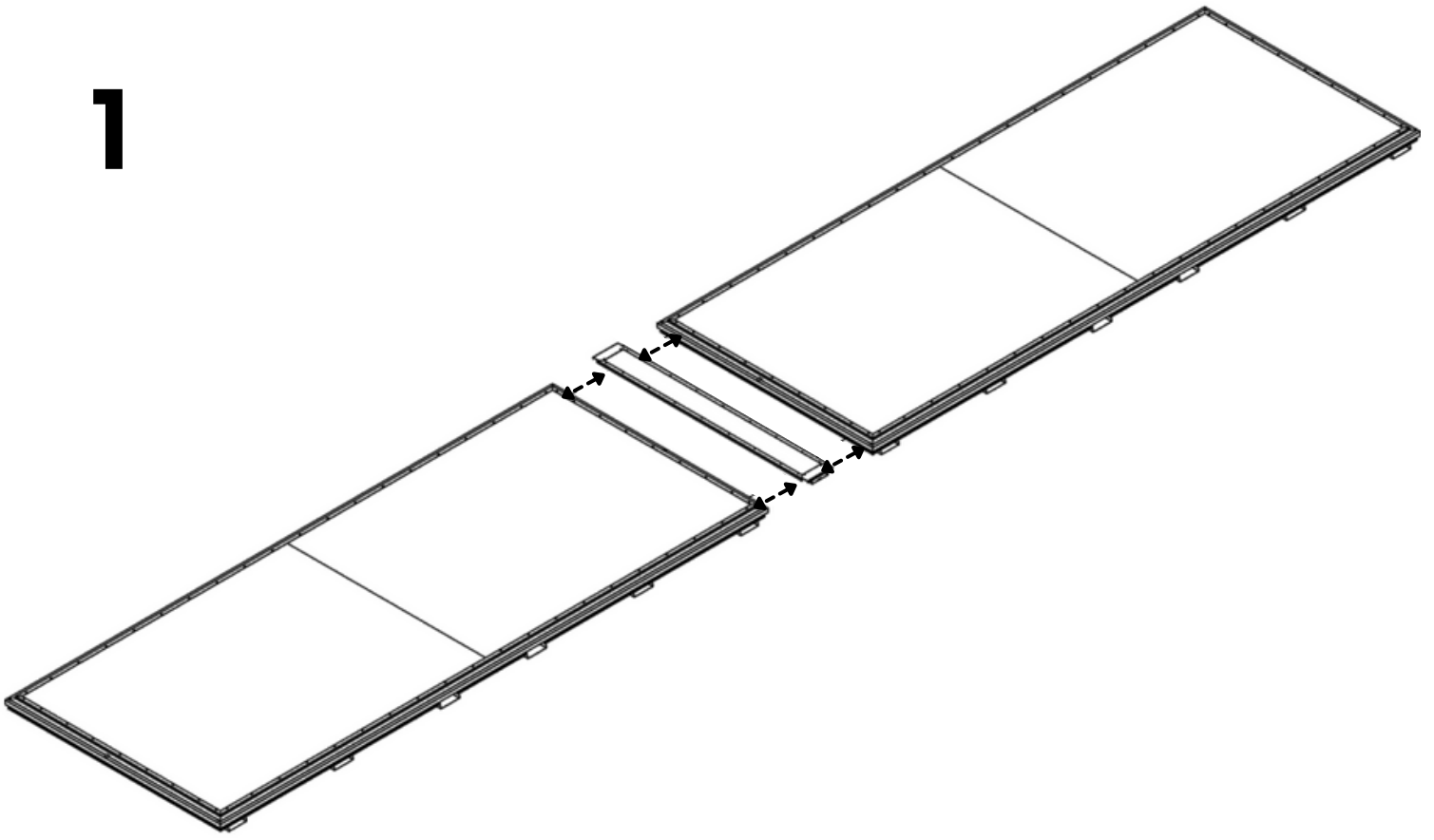
1x



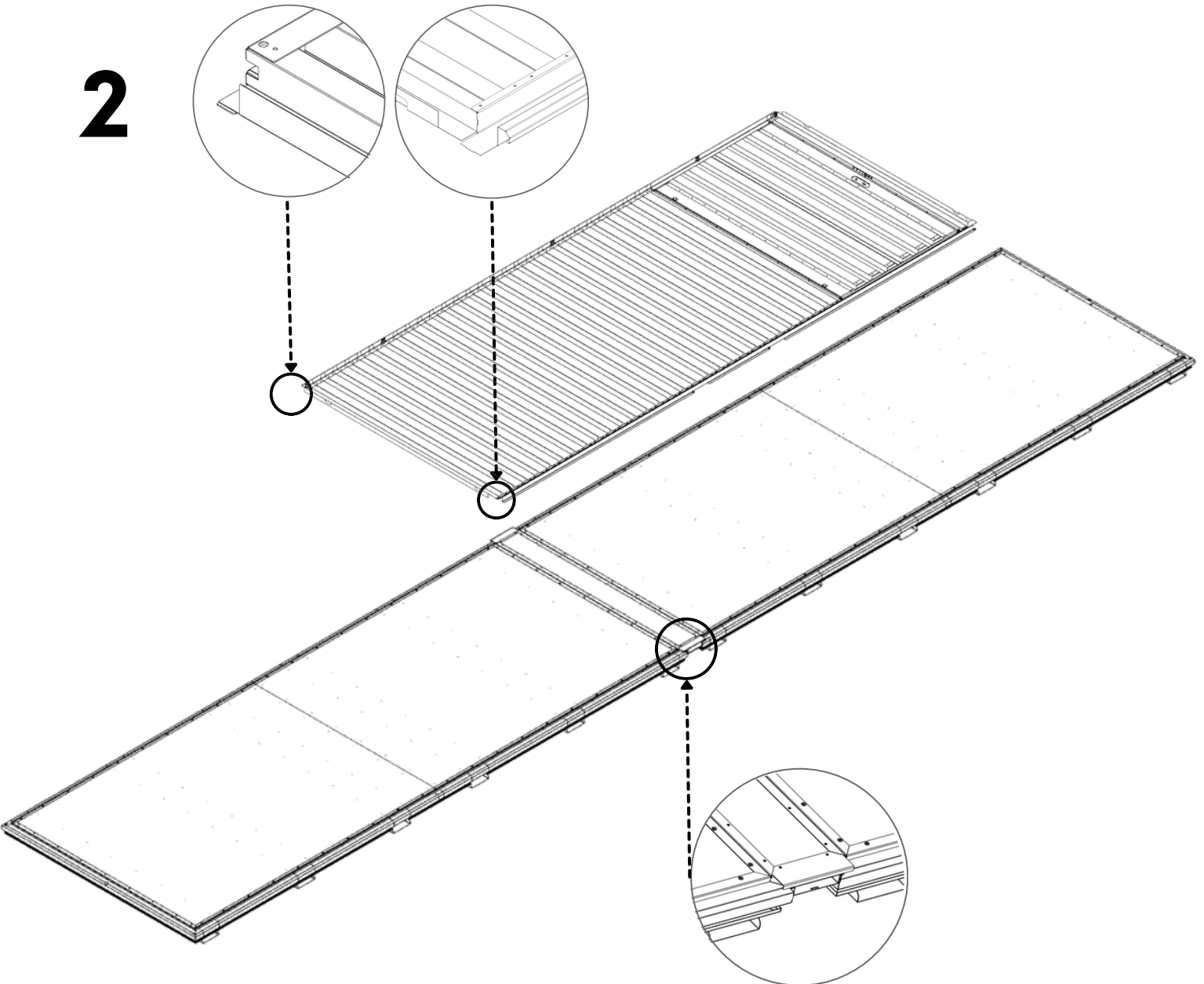
2x

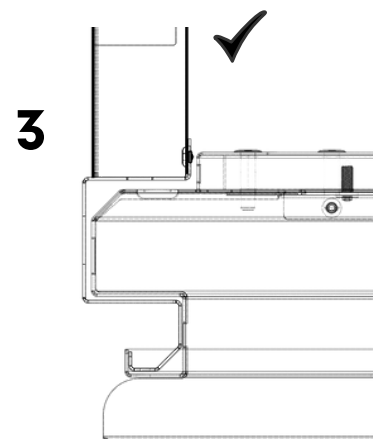
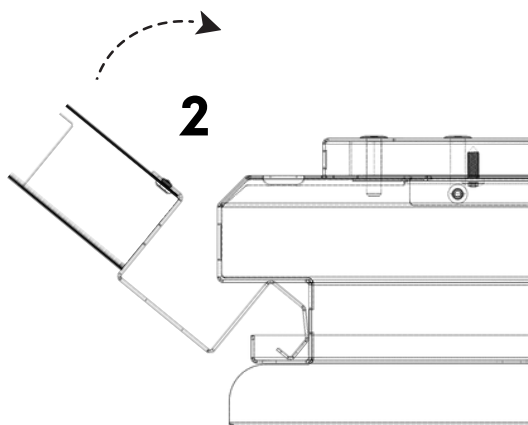
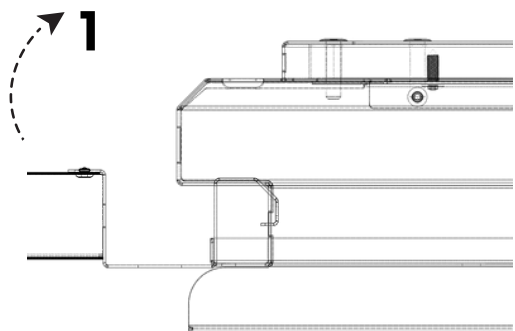


1

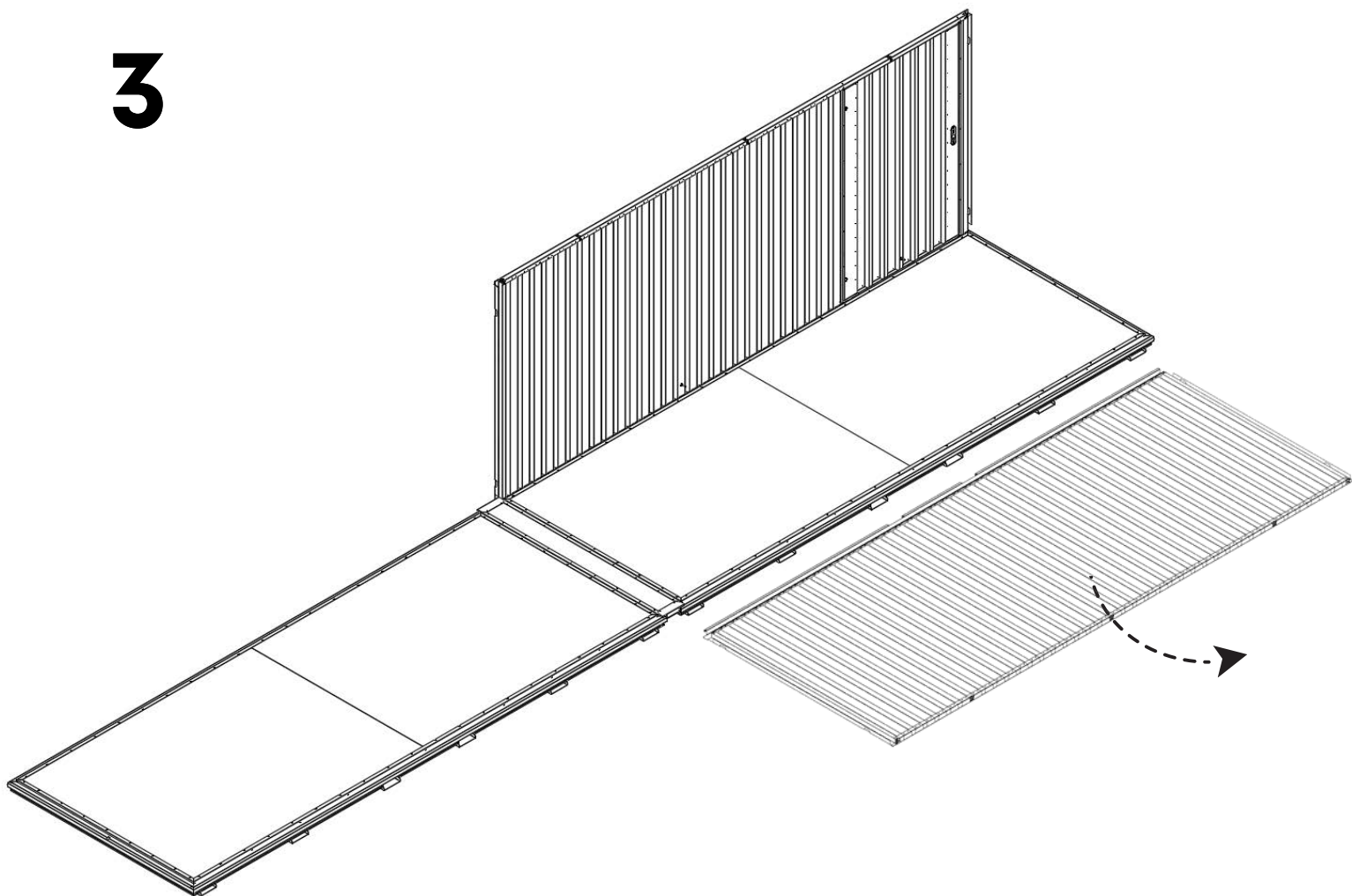


2

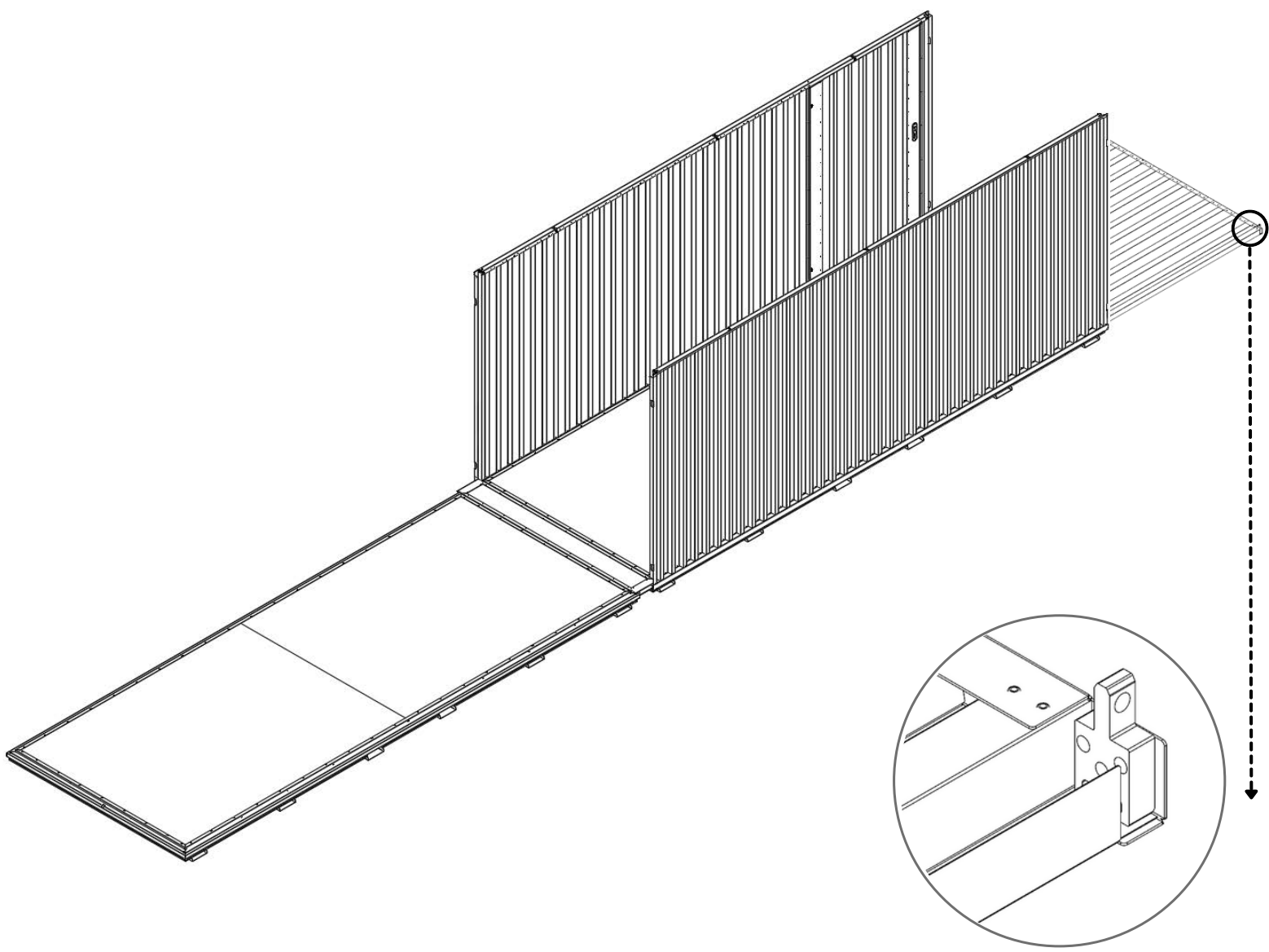




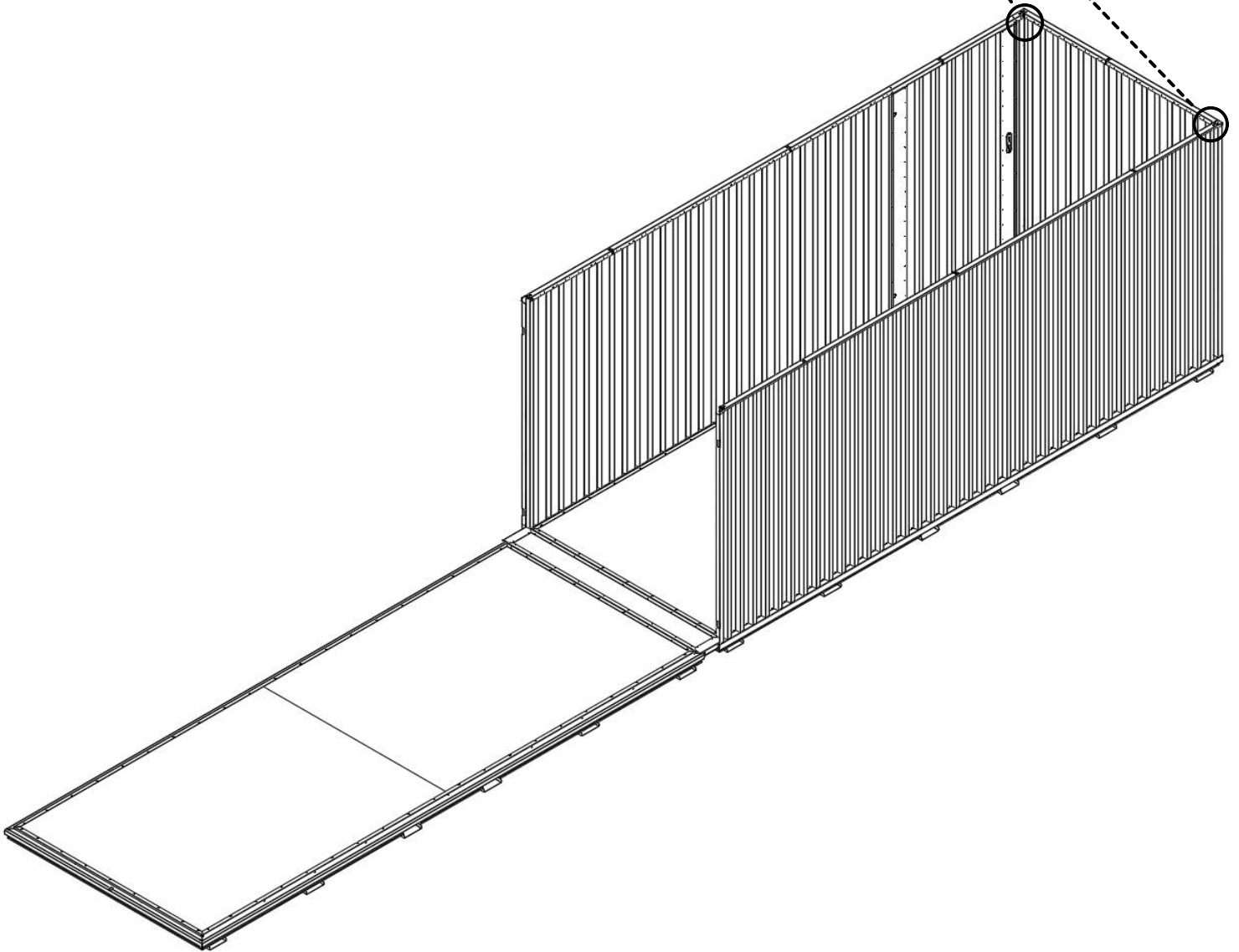
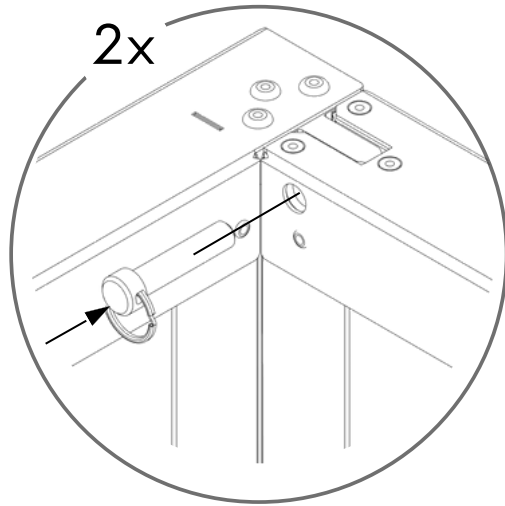
3



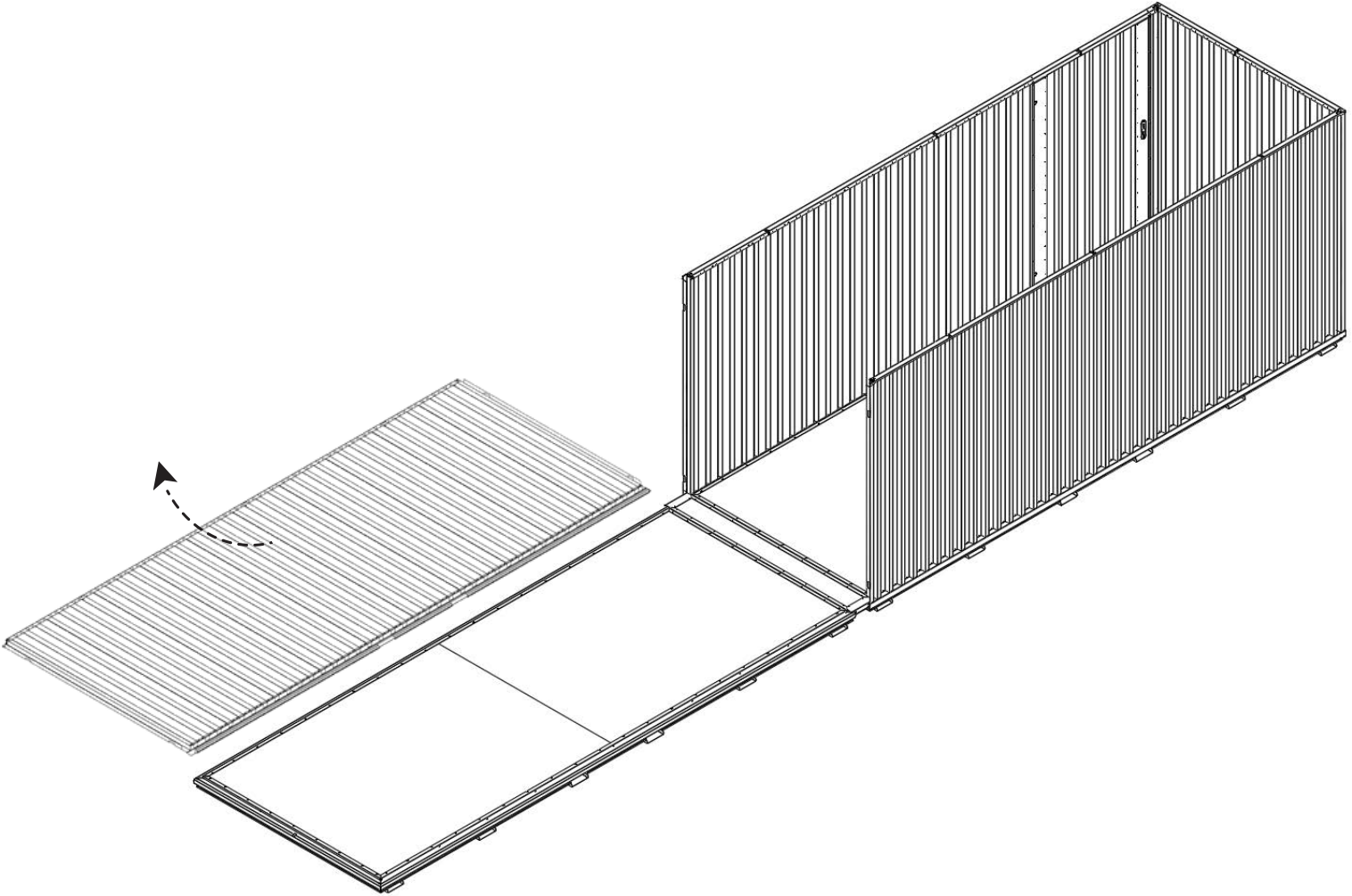
4



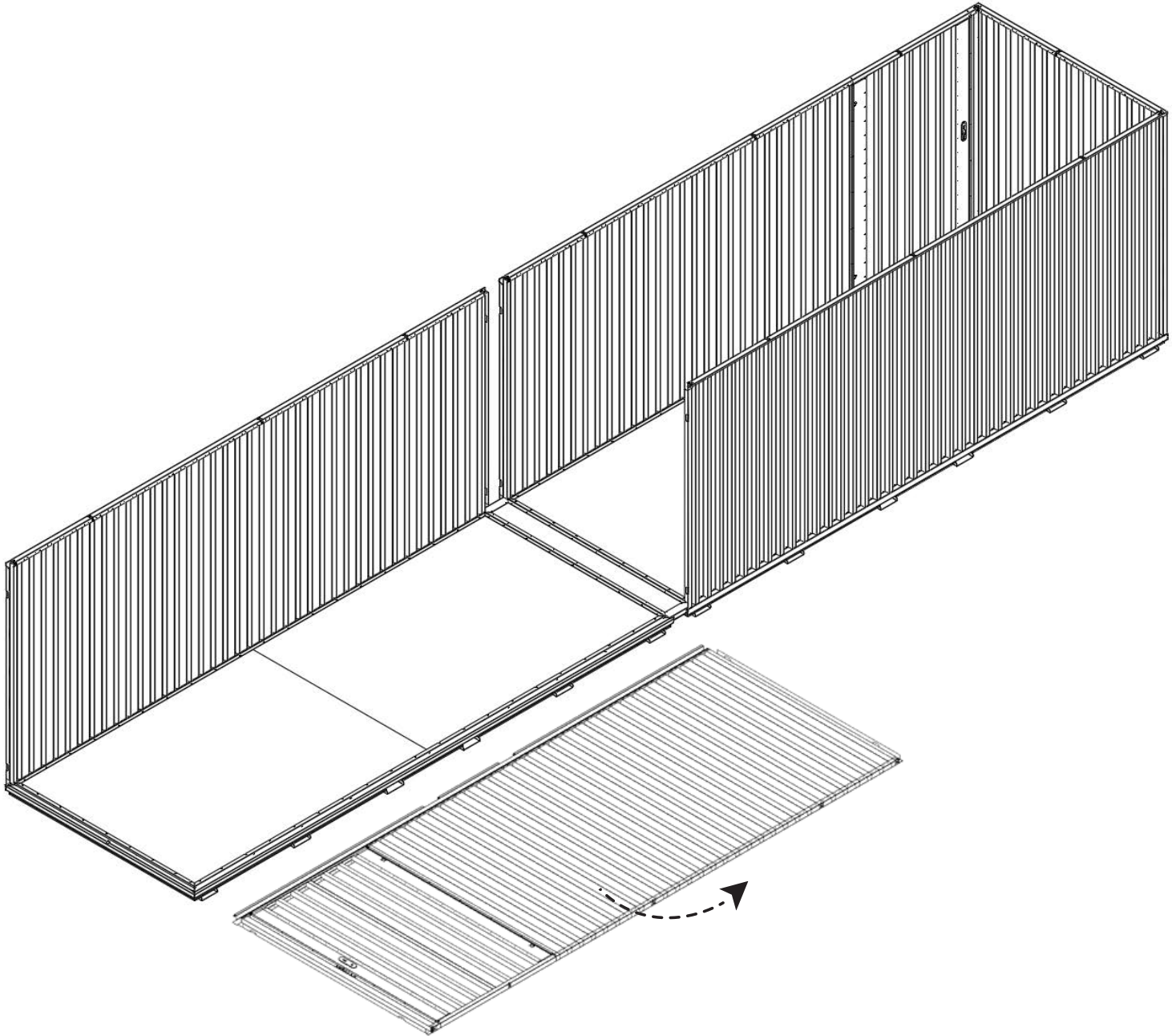
4.1



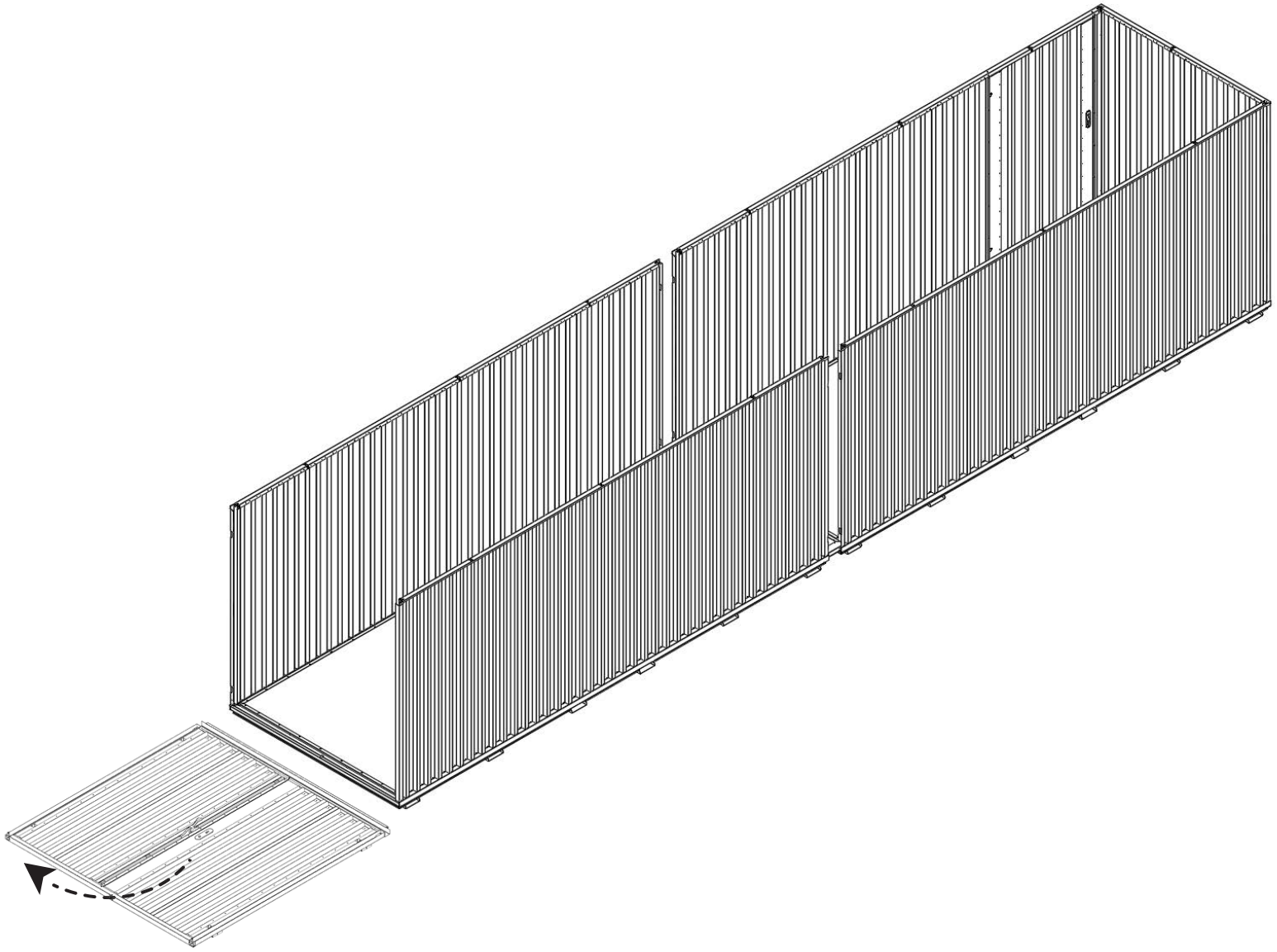
5



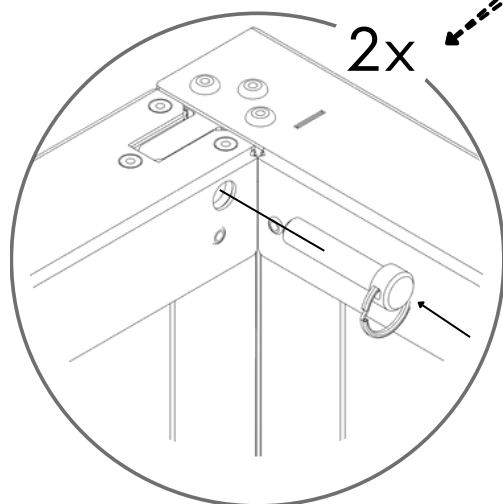
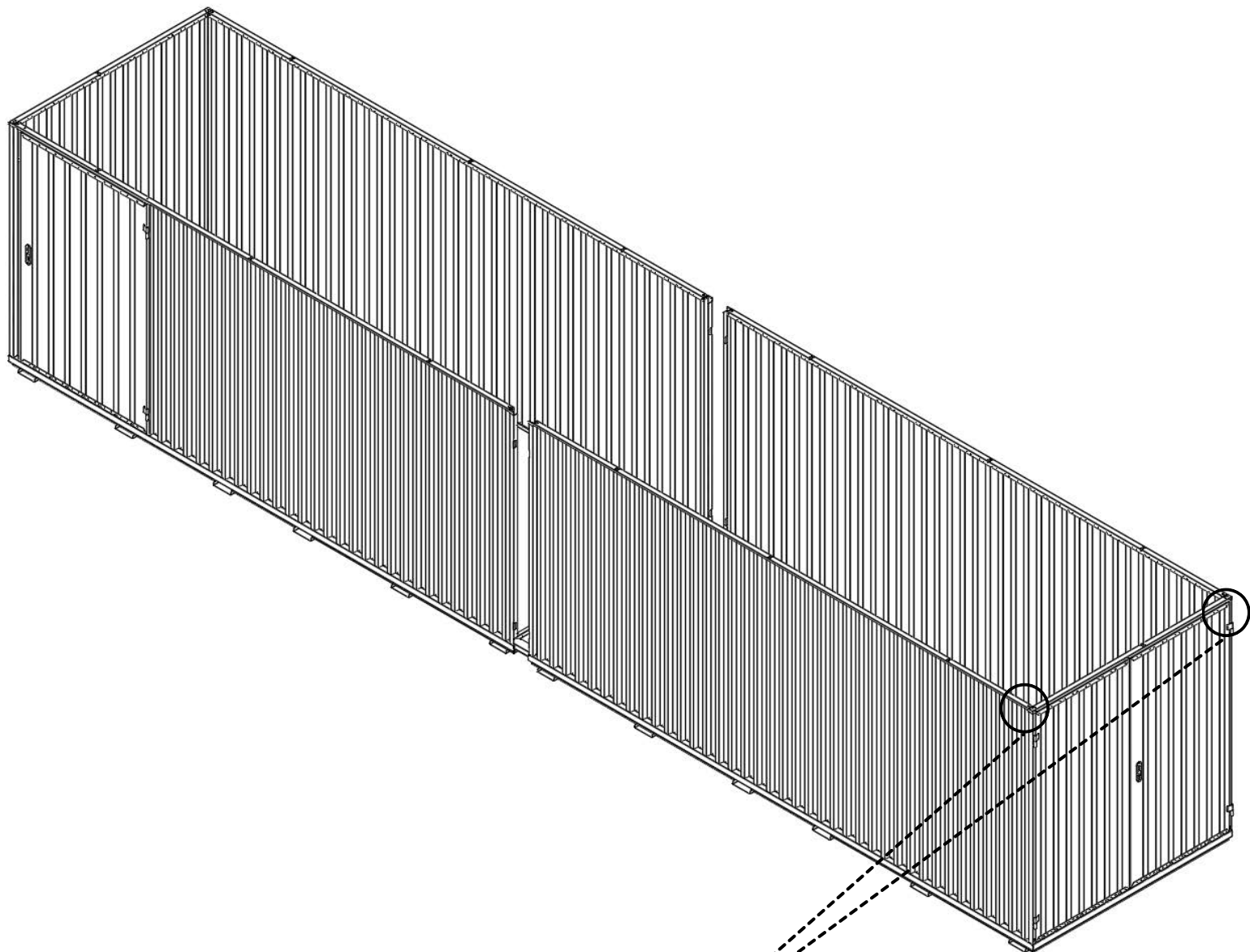
6



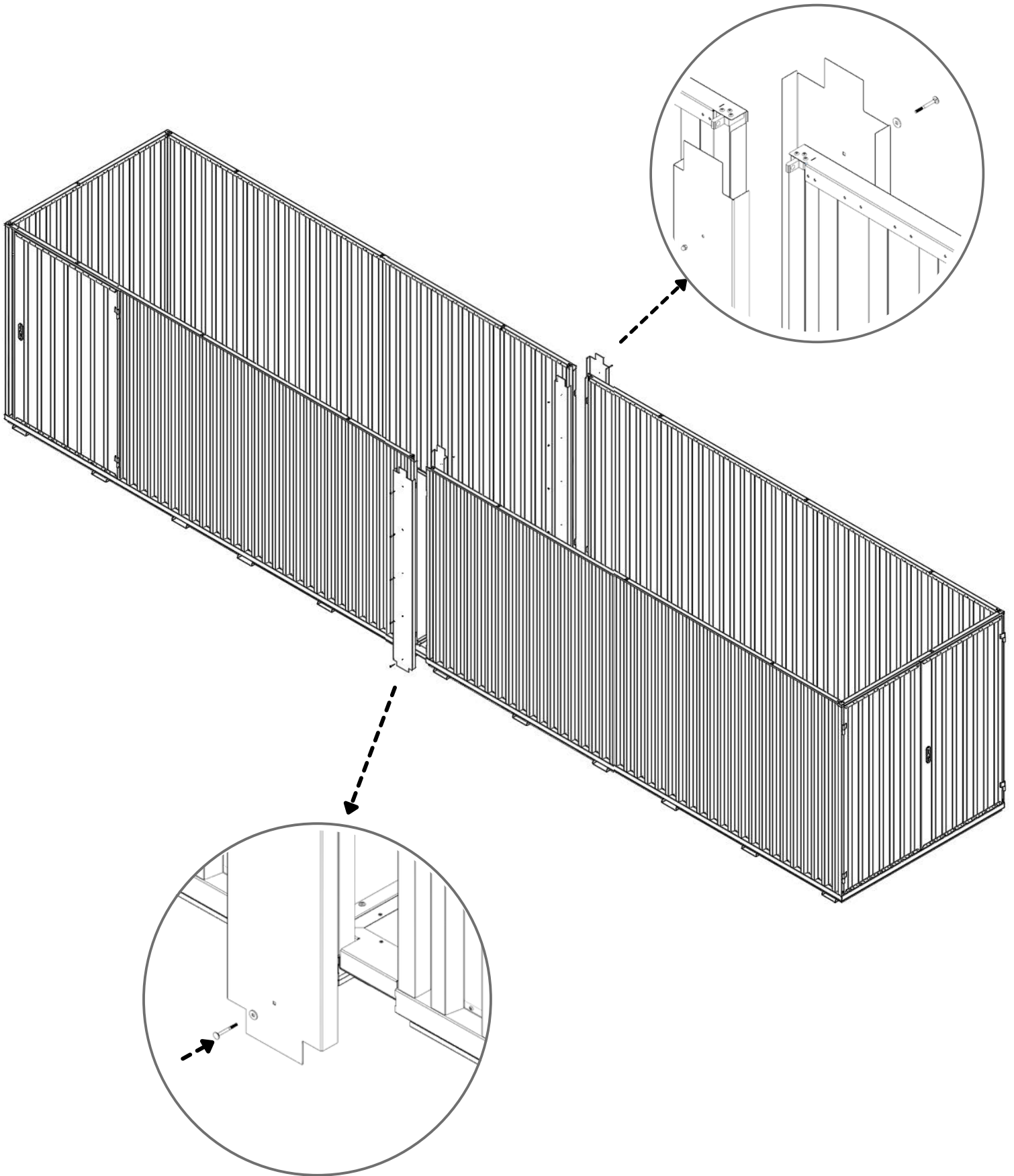
7



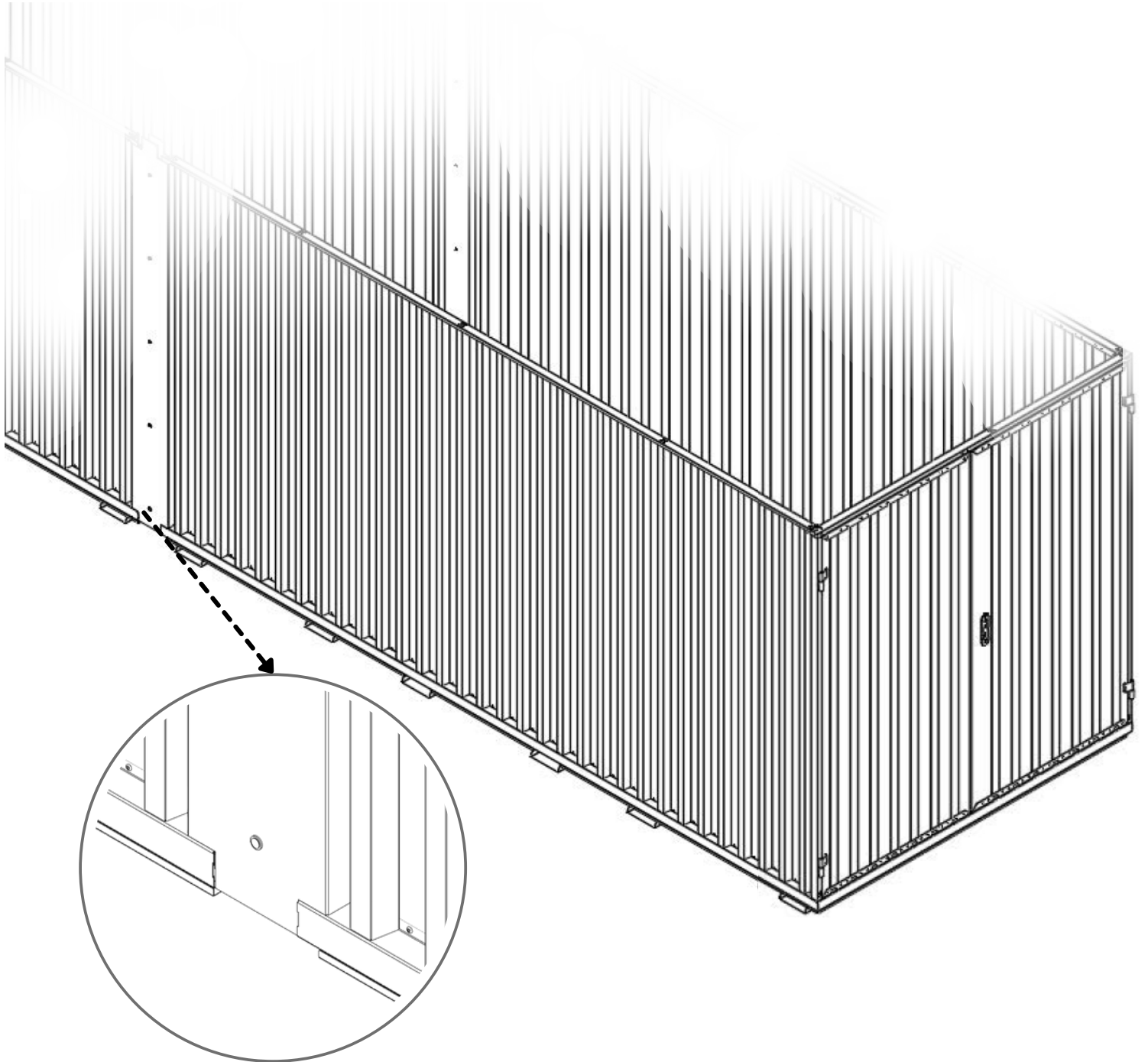
7.1



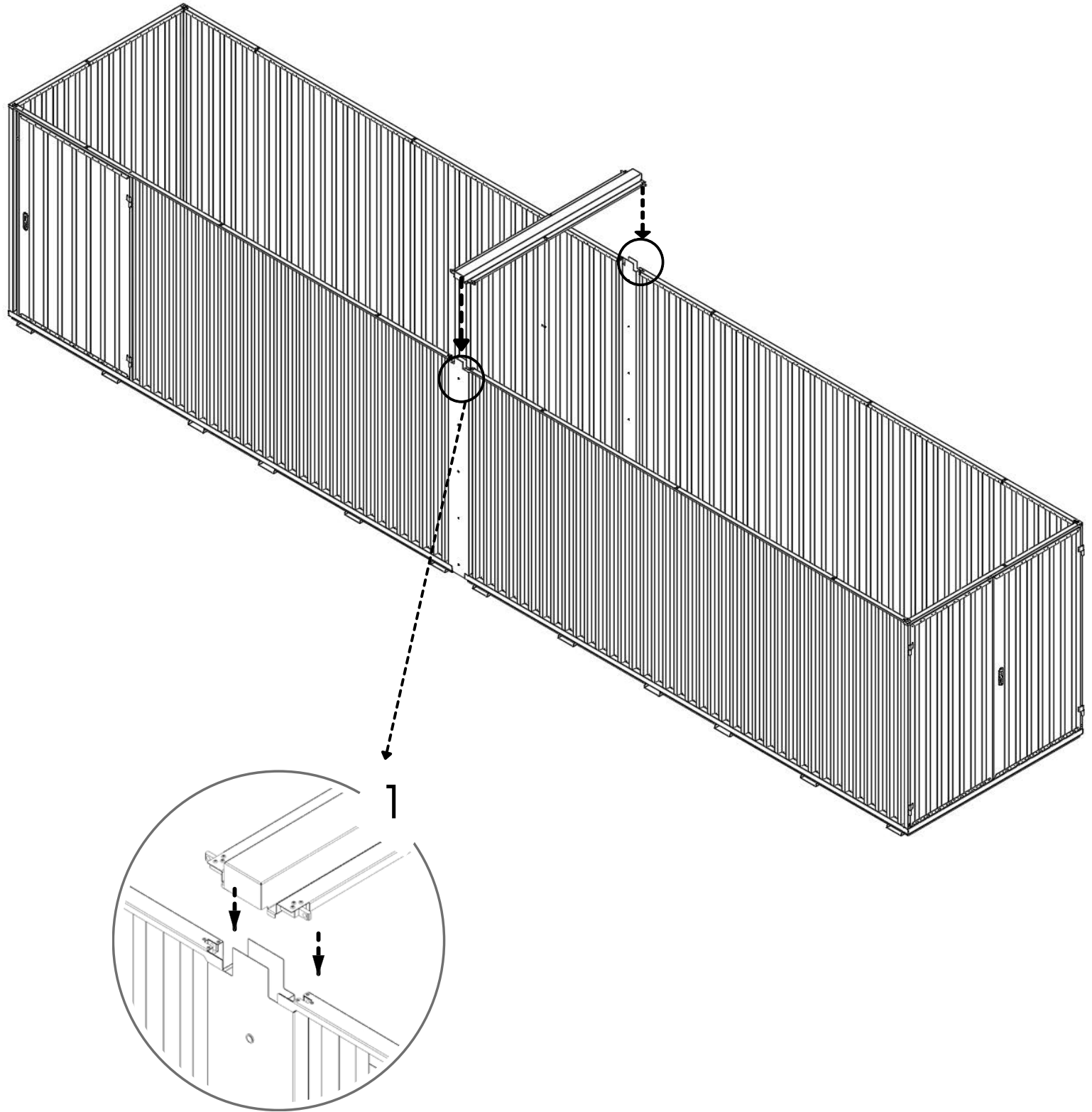
8



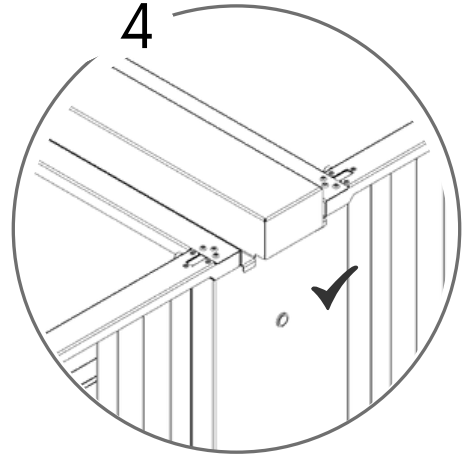
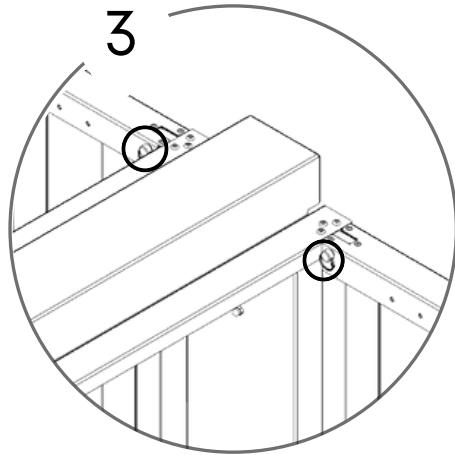
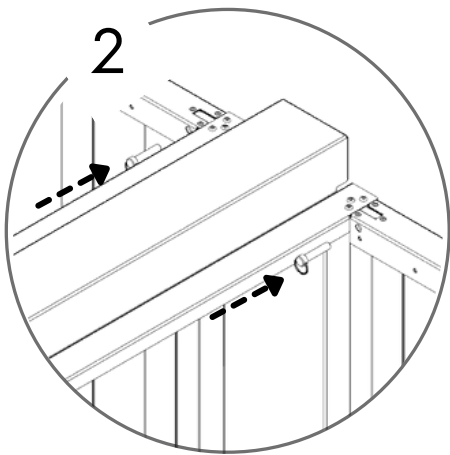
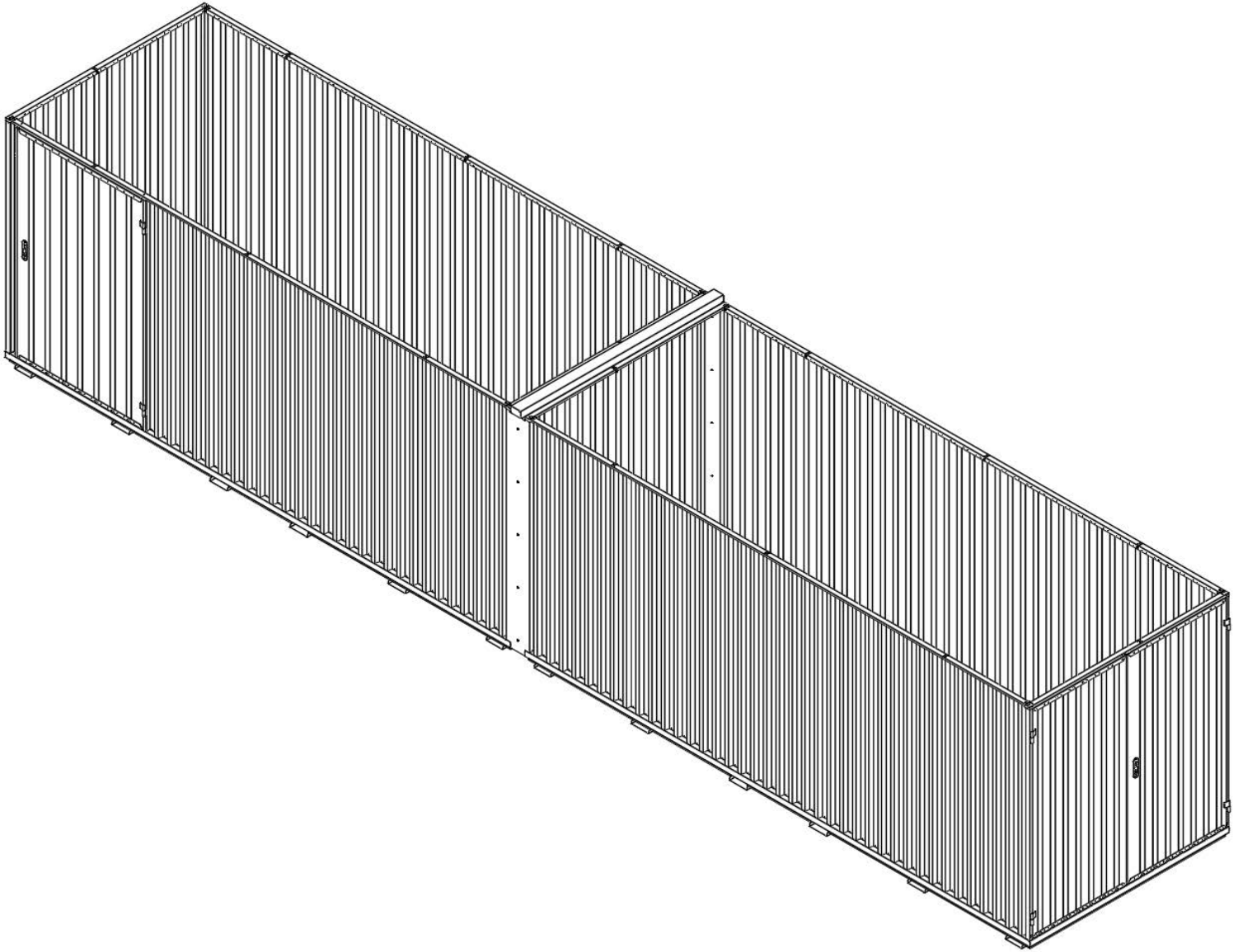
9











10

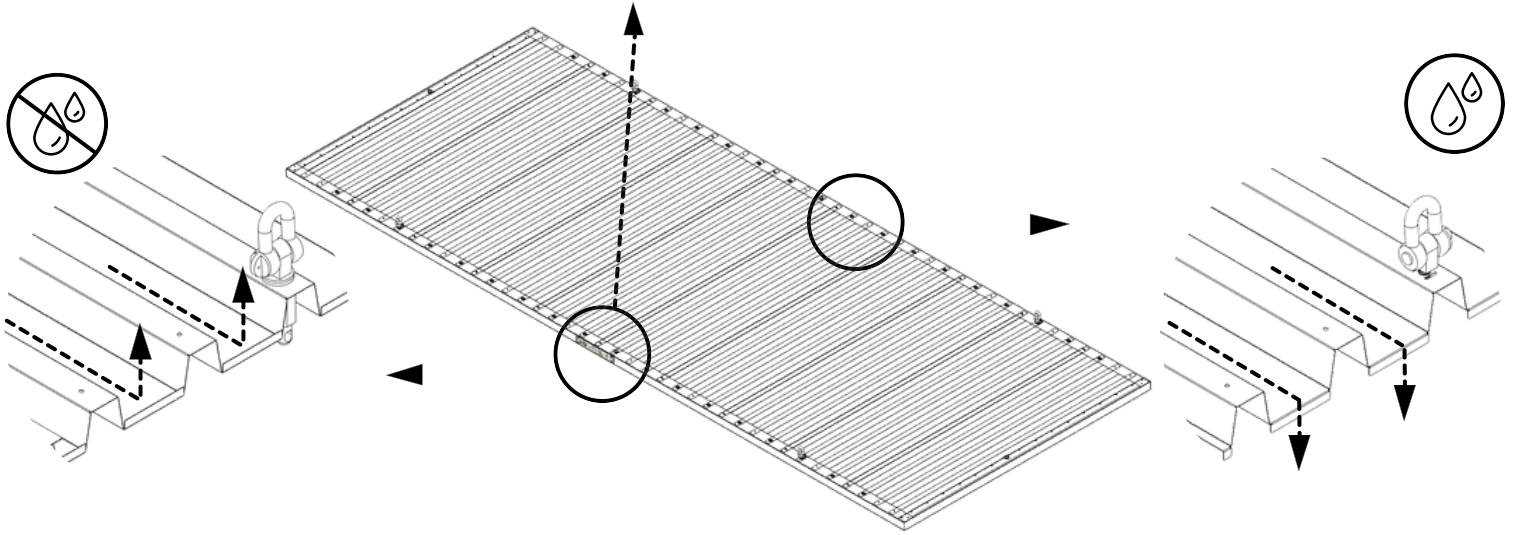


11

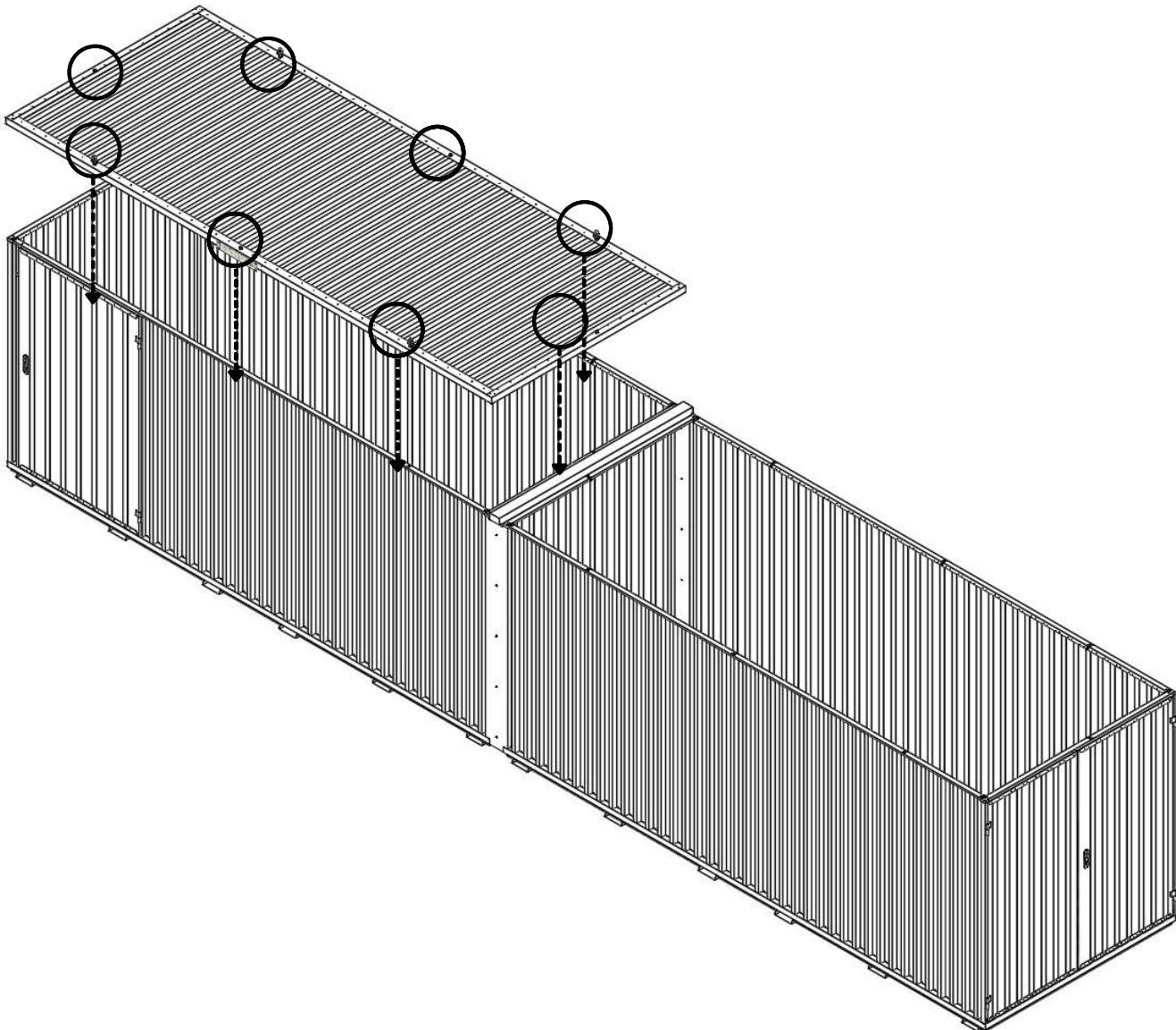




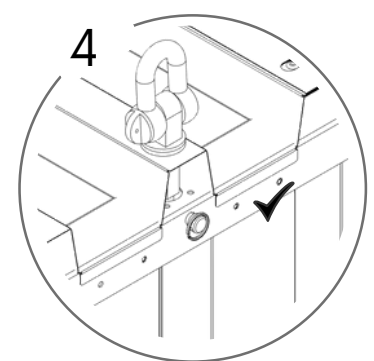
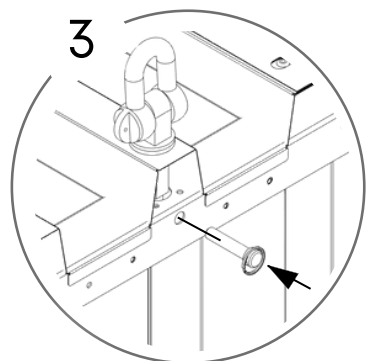
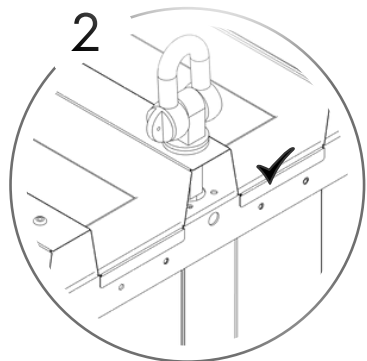
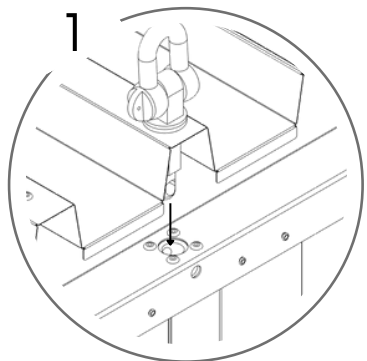
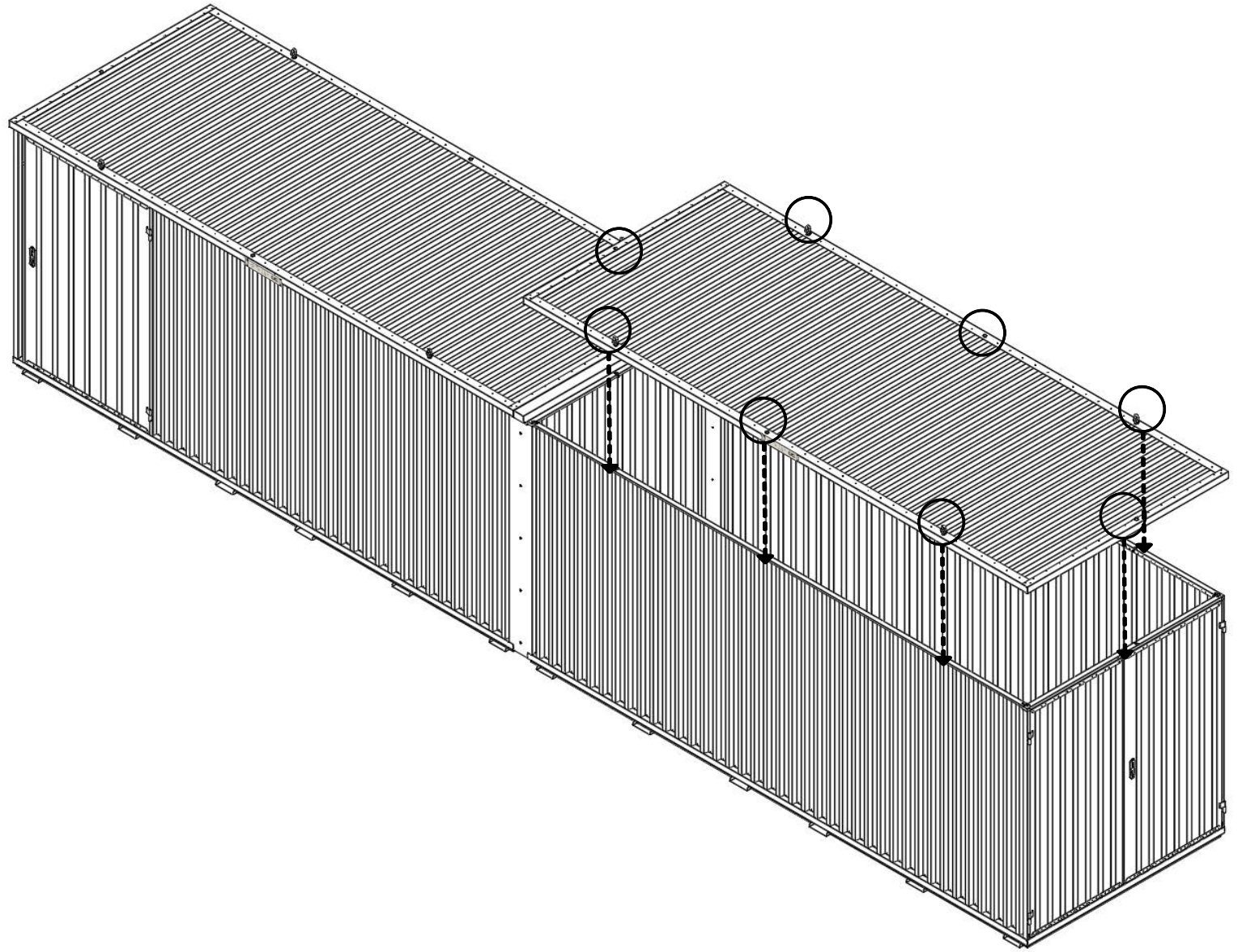
 962 KG	 1640 MM	Model Code: 5050.110.450.330 Production Tracking Code:/X09.1.5050.450.330    9001 14001 50001	 	
---	--	--	---	---



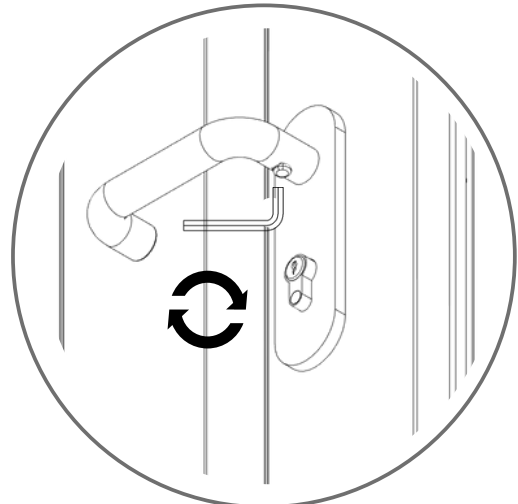
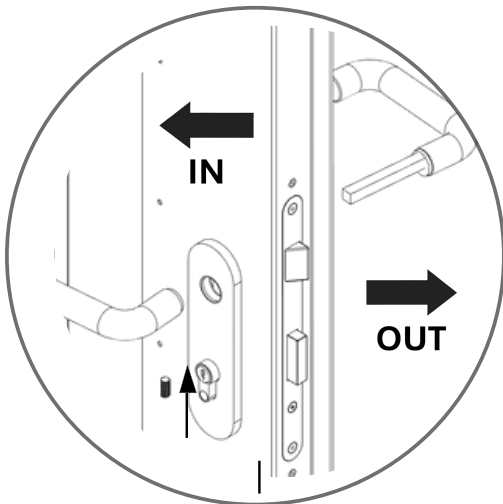
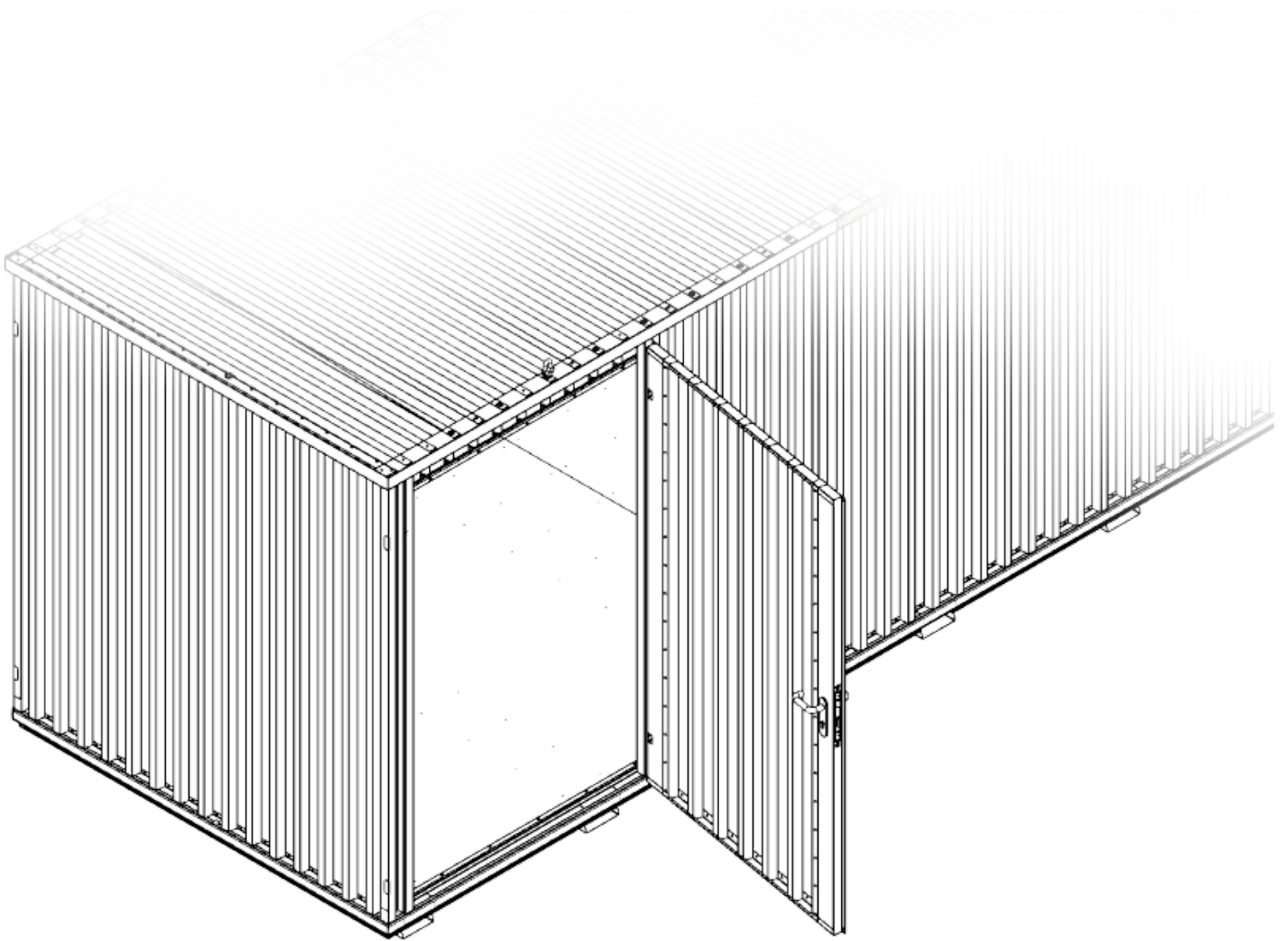
12



13



14



15

