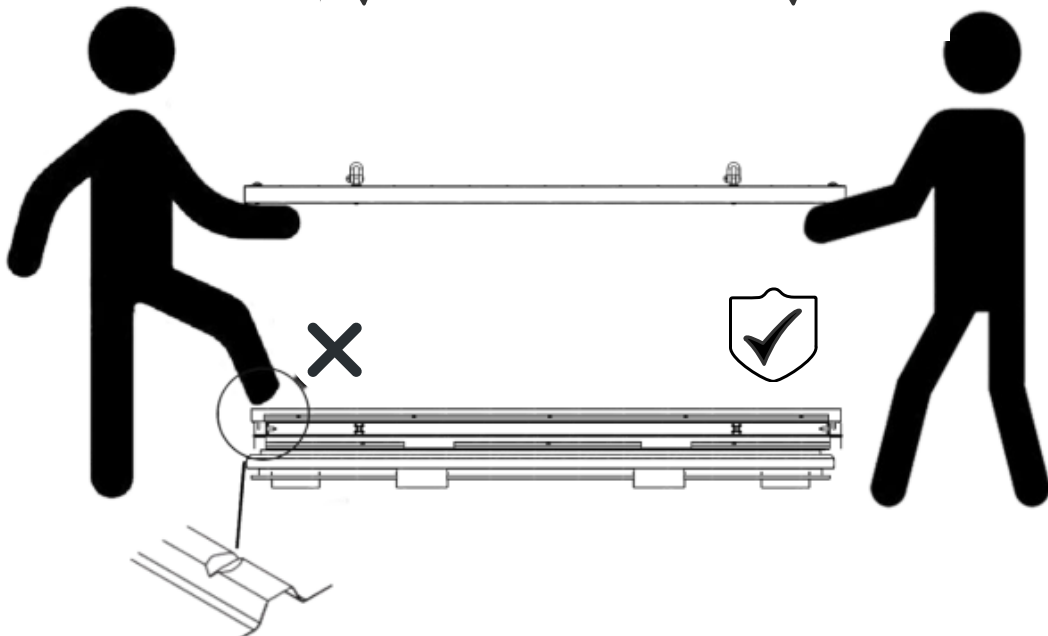
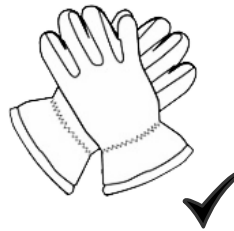
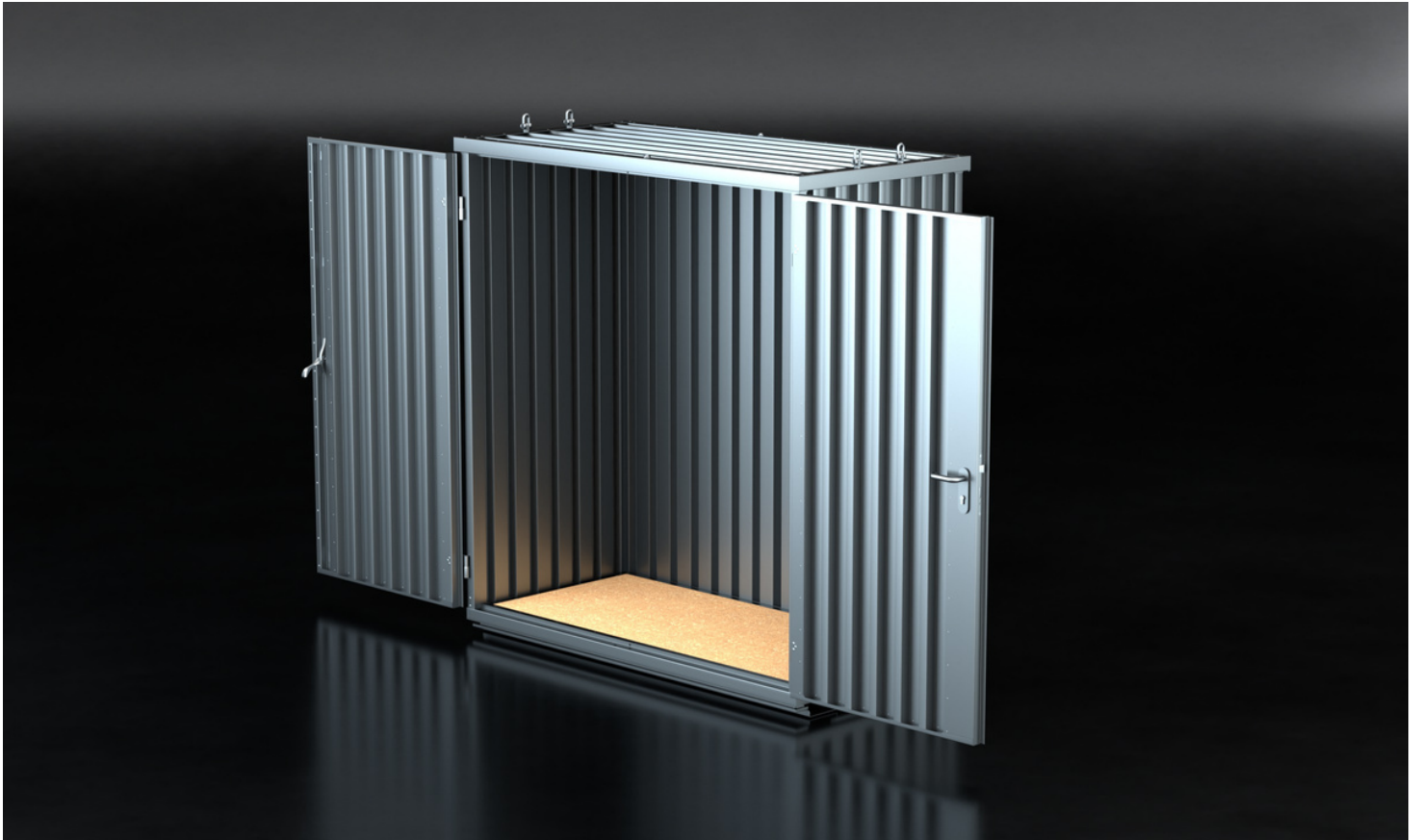


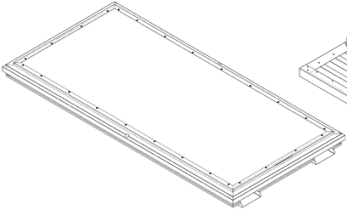
PRODUCT CODE: 10.110.330

**prefabase**  
Quick Build Solutions

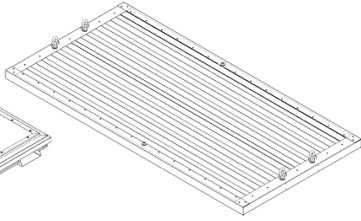
Instructions and User Guide



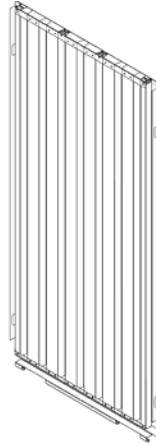
10.0110  
1x



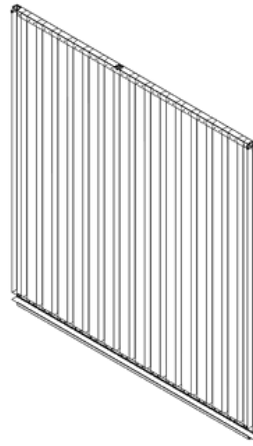
10.0510  
1x



10.0410  
2x



0310  
1x



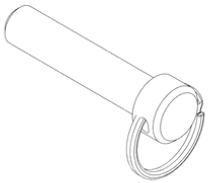
0330  
1x



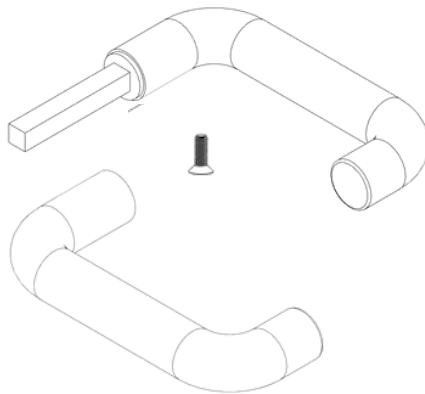
61.101  
2x



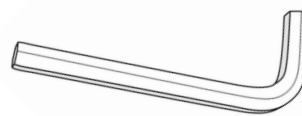
10x



1x



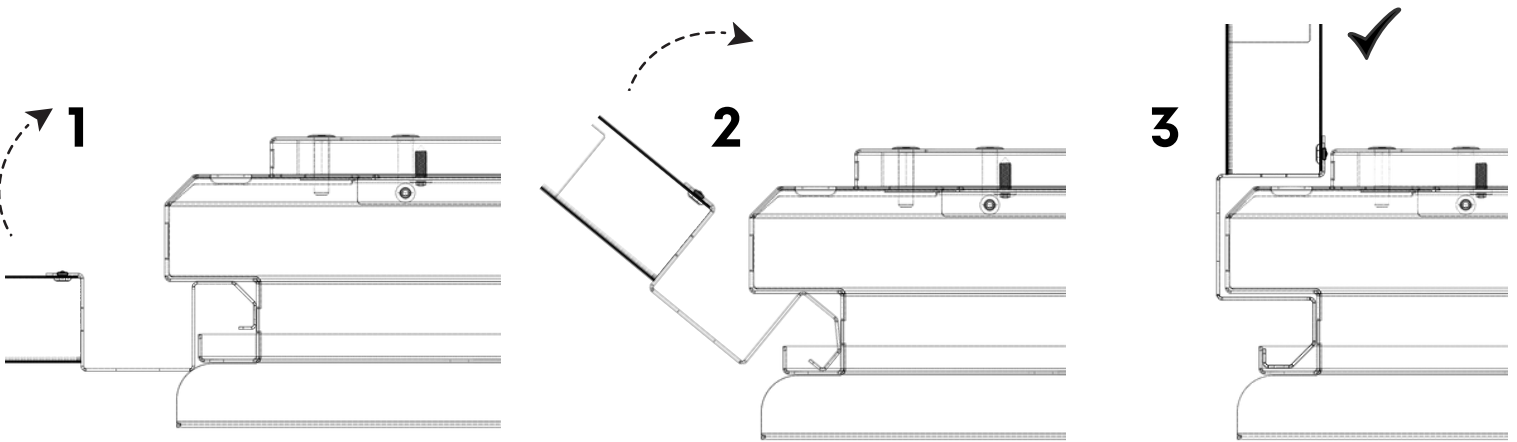
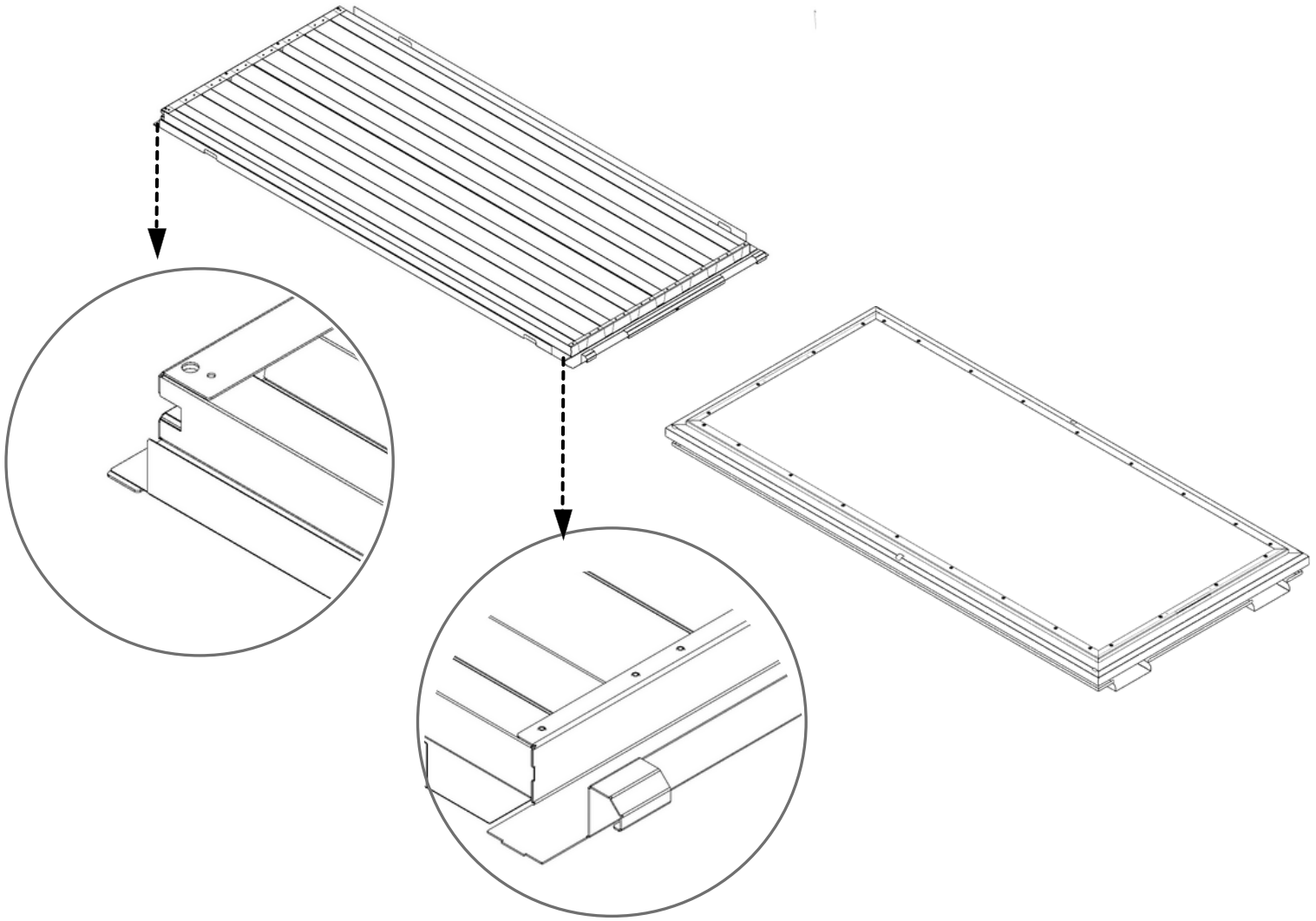
1x



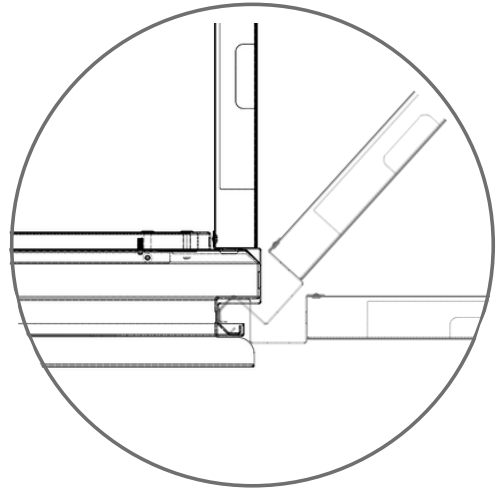
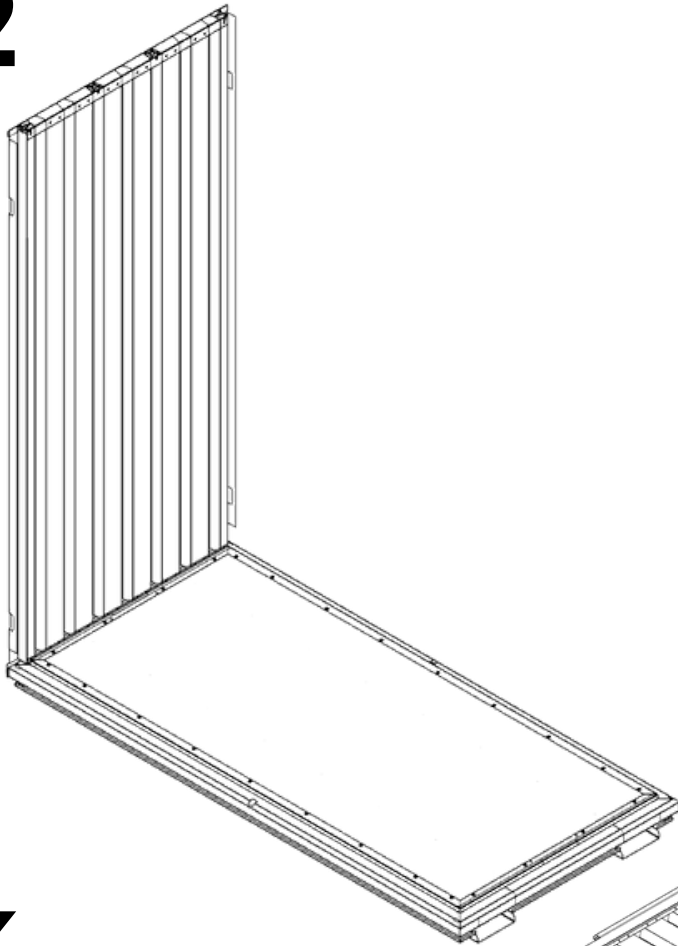
1x



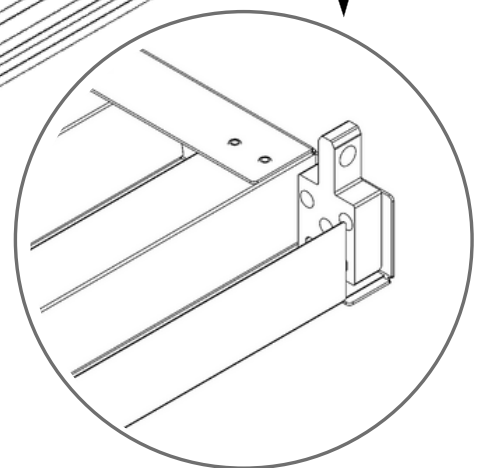
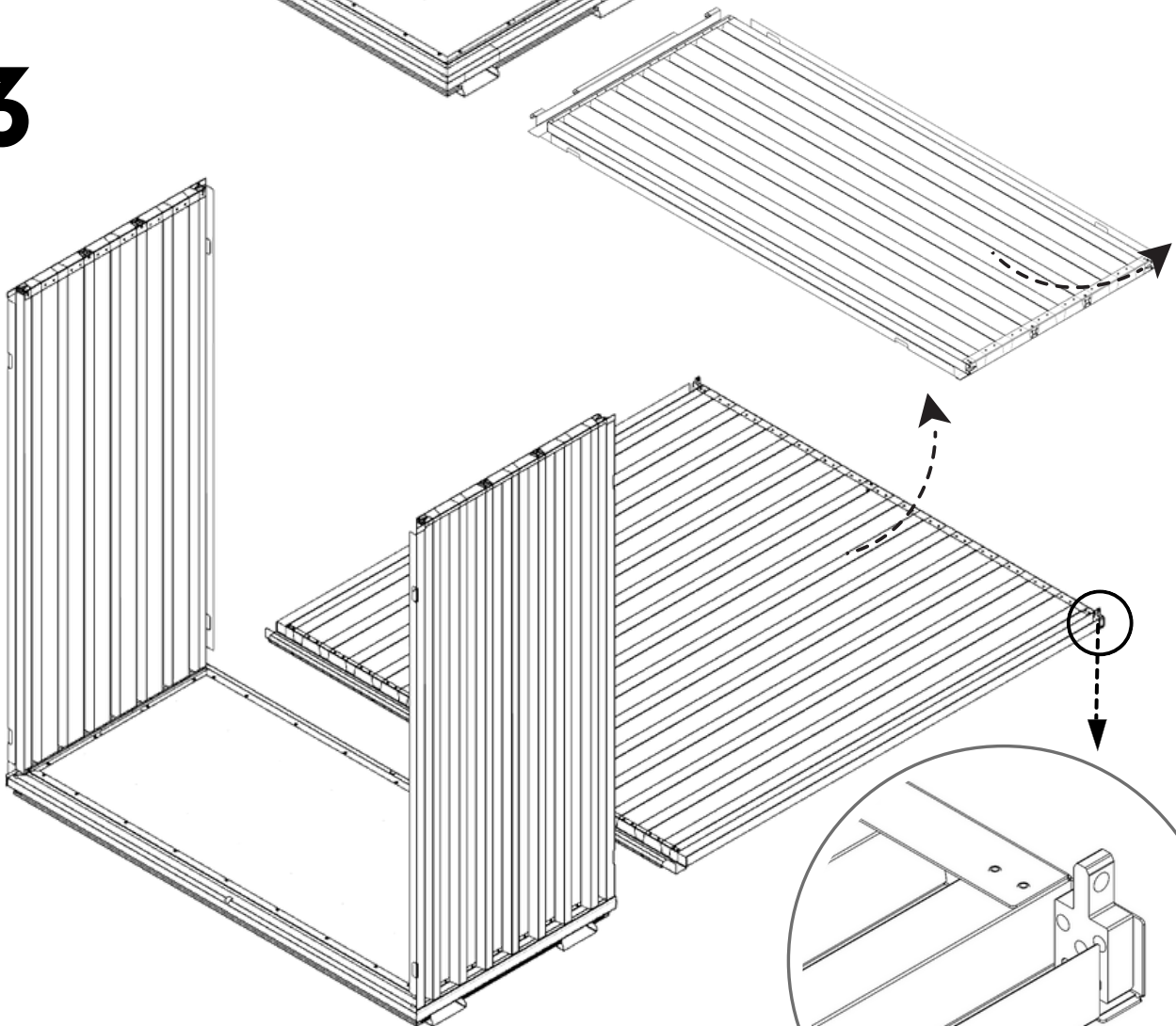
# 1



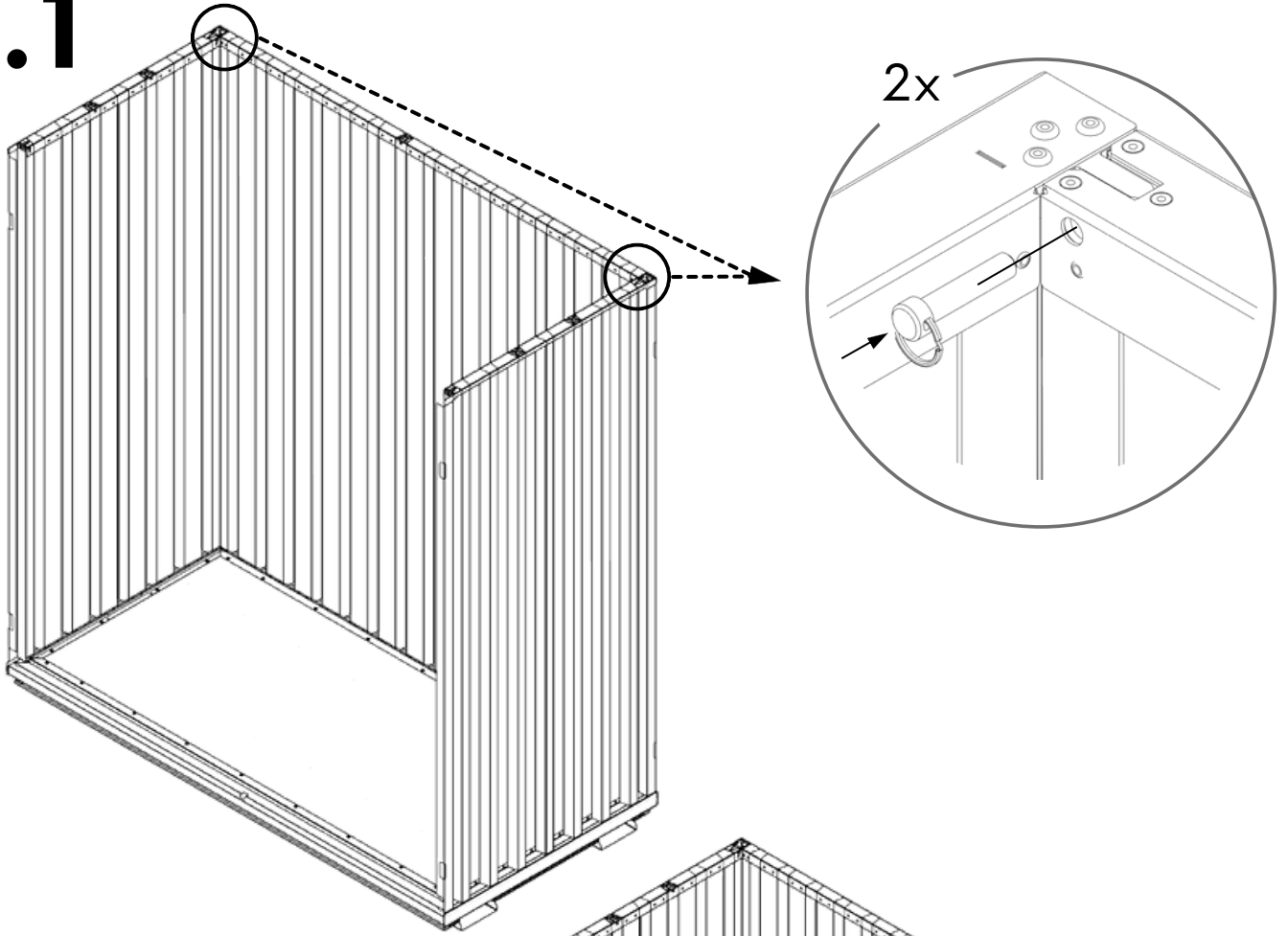
**2**



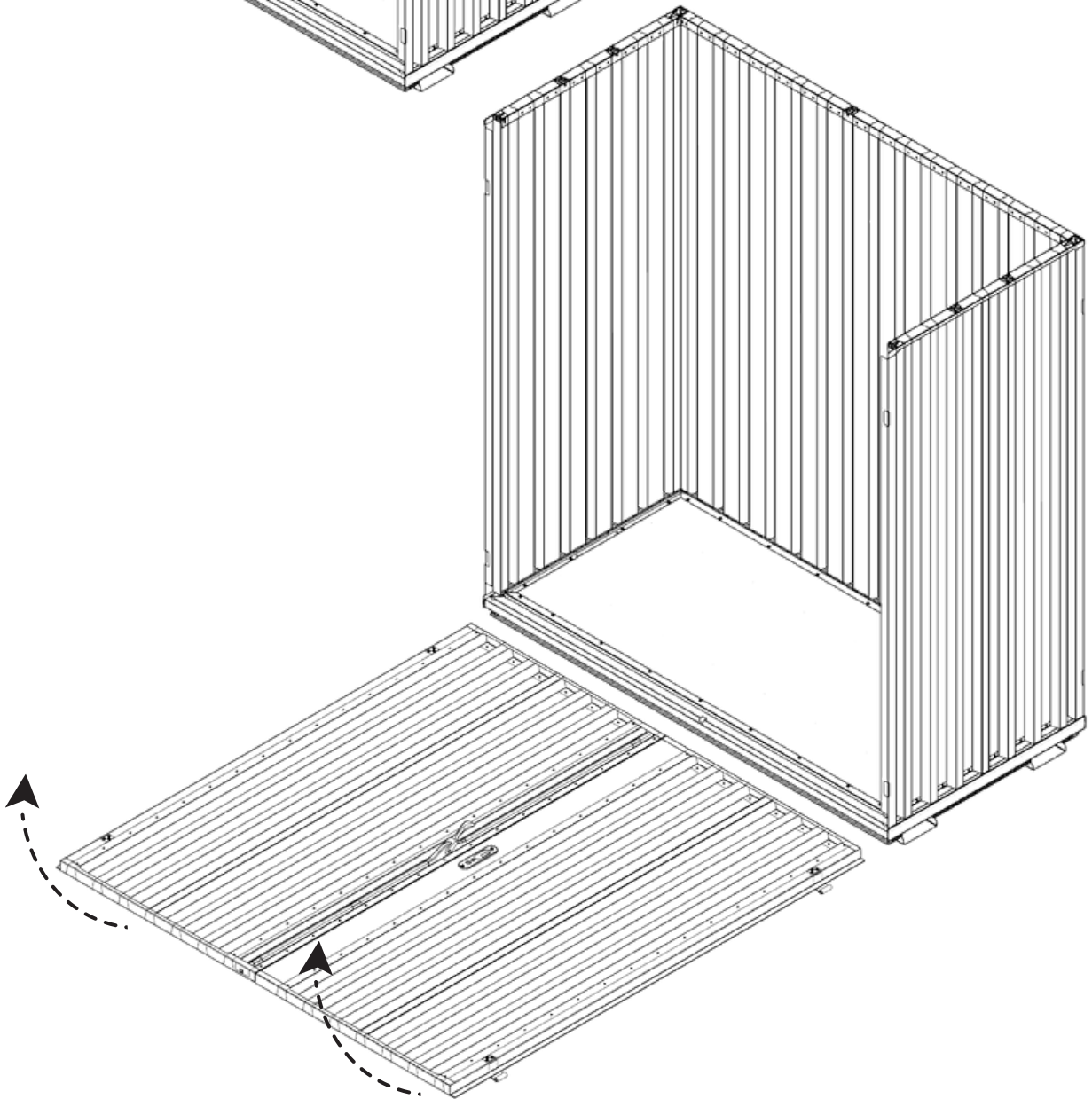
**3**



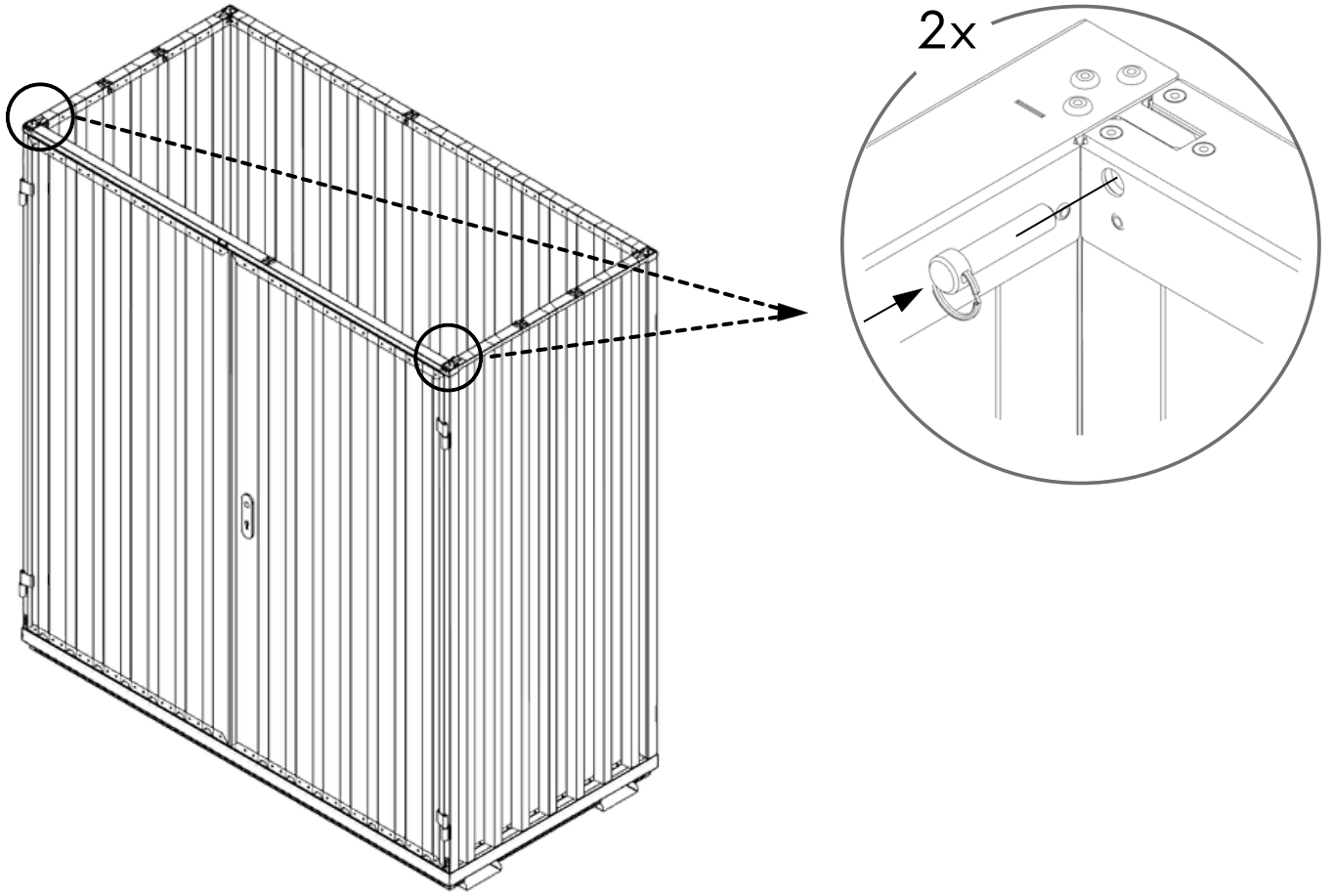
# 3.1











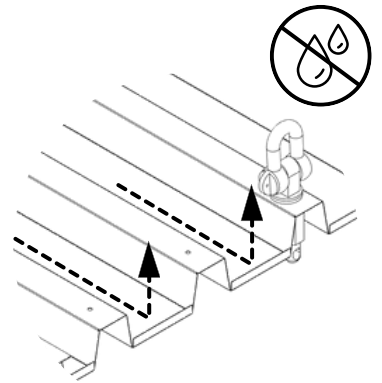
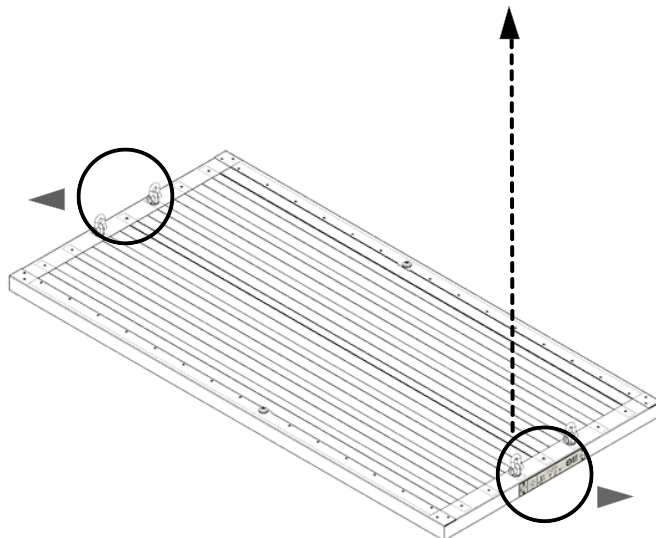
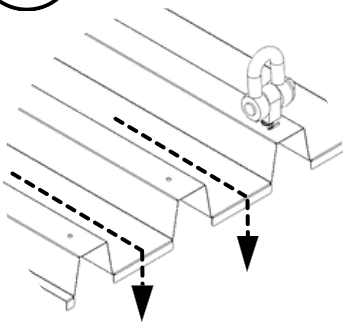
# 4



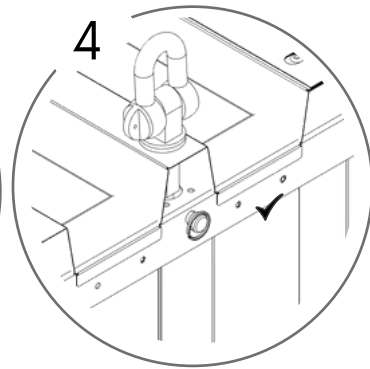
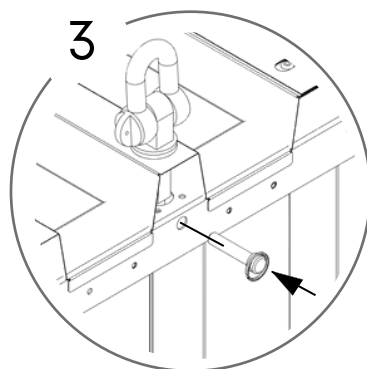
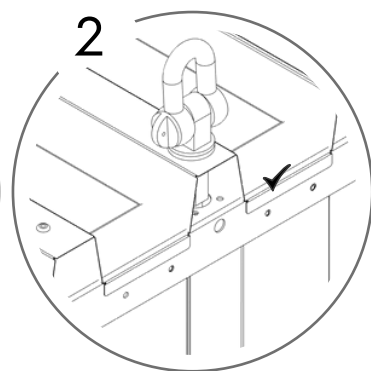
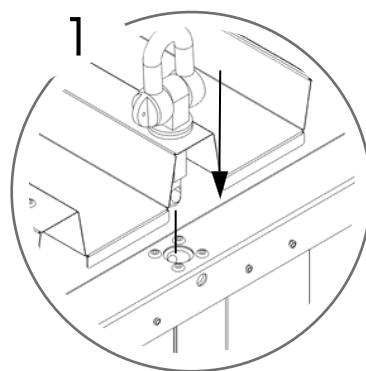
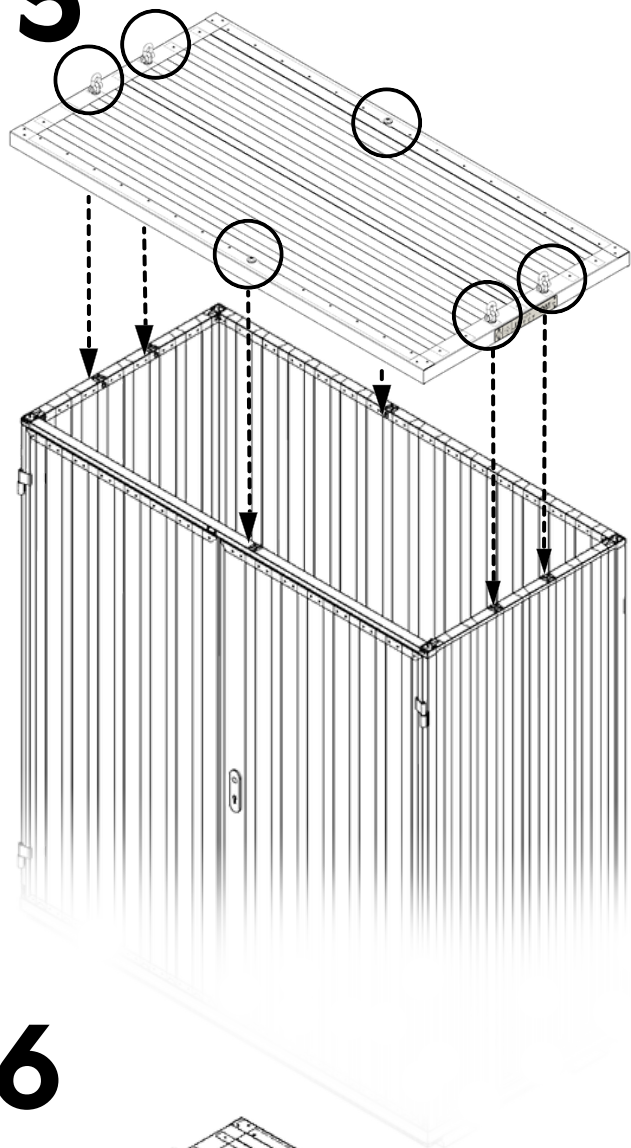
# 4.1



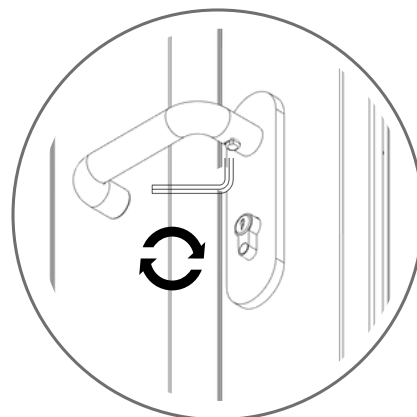
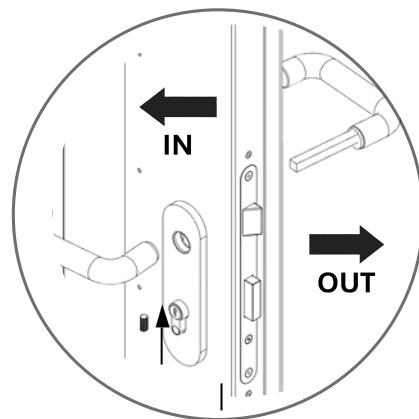
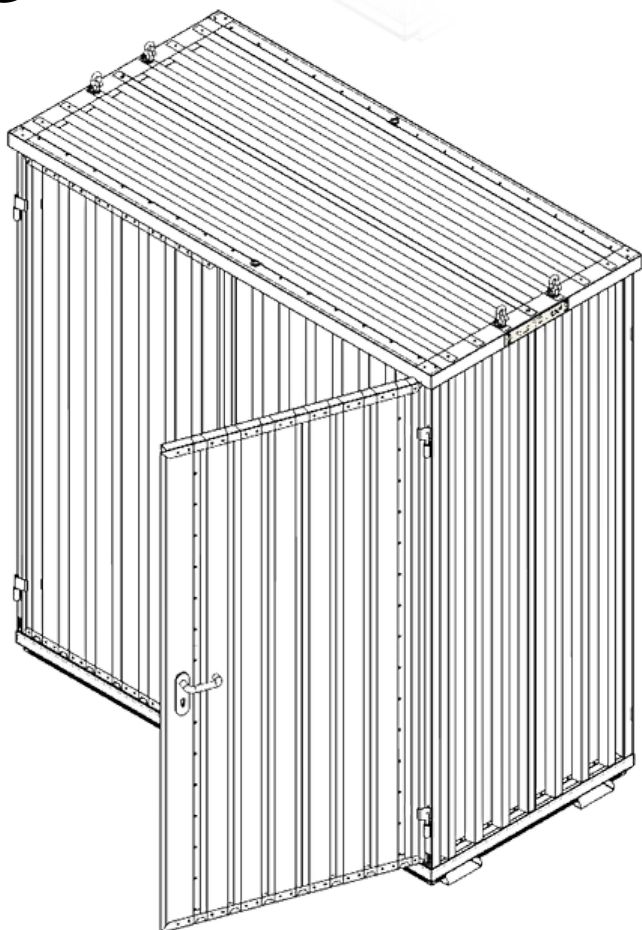
 188 KG	 1640 MM	Model Code: 10.110.330 Production Tracking Code: ...../X09.1.10.330  9001  14001  50001	 	
---	--	---	---	---



**5**



**6**



7

