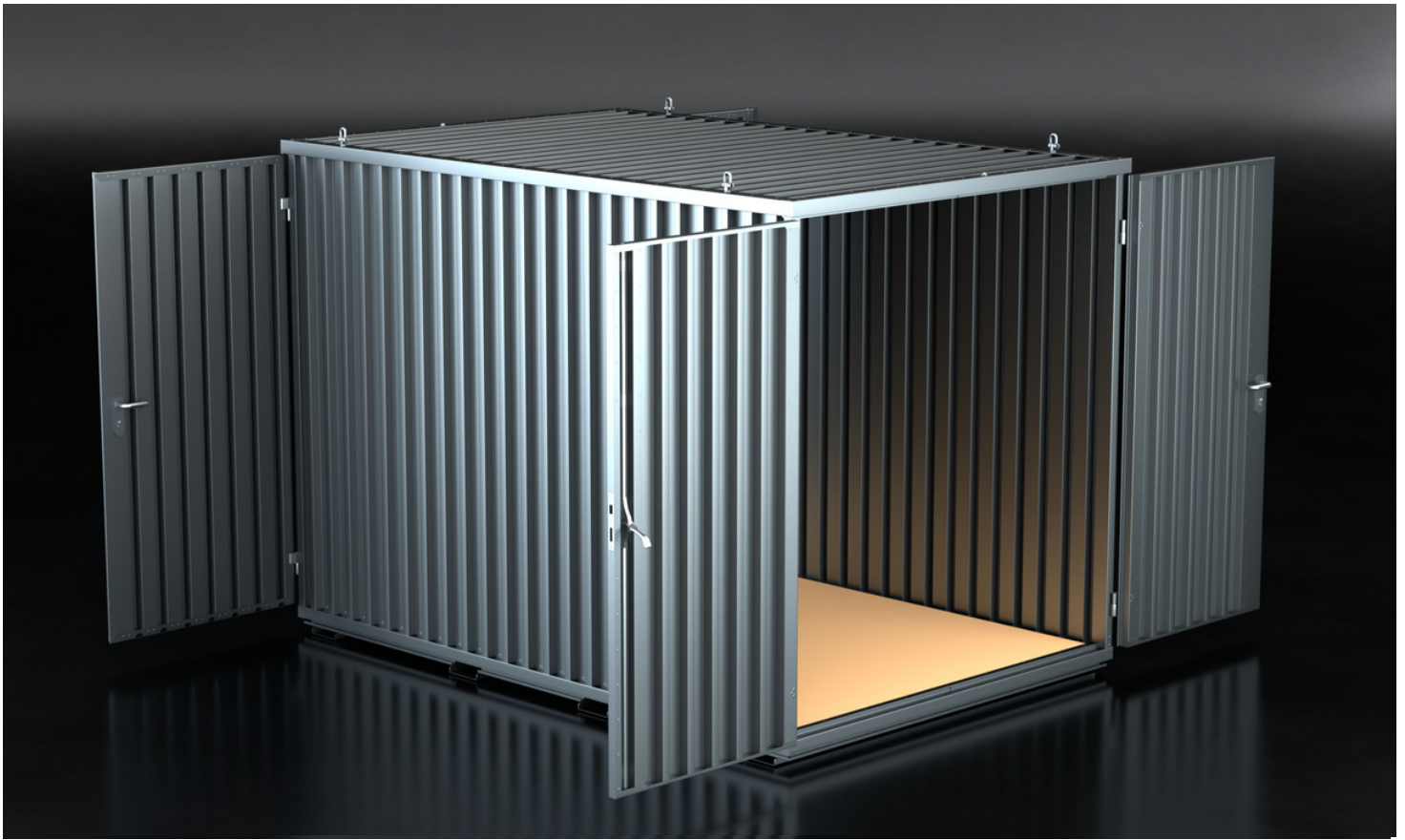


PRODUCT CODE: 30.110.330.331

prefabase
Quick Build Solutions

Instructions and User Guide

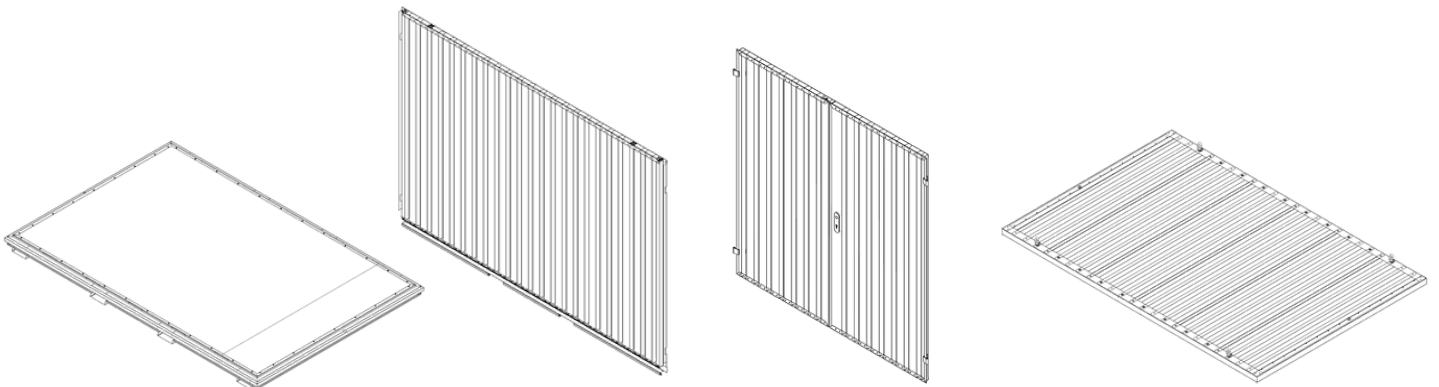


30.0110
1x

30.0410
2x

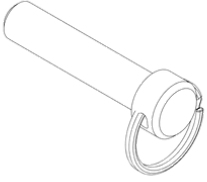
0230/0220/0330
2x

30.0510
1x

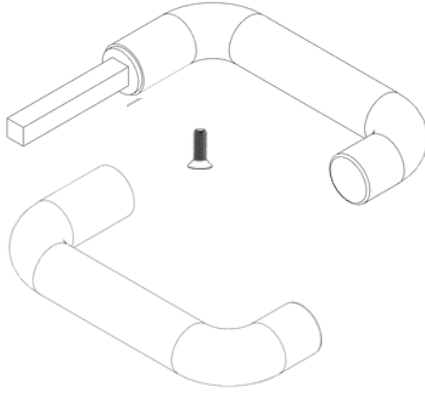




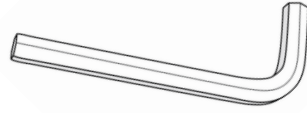
10x



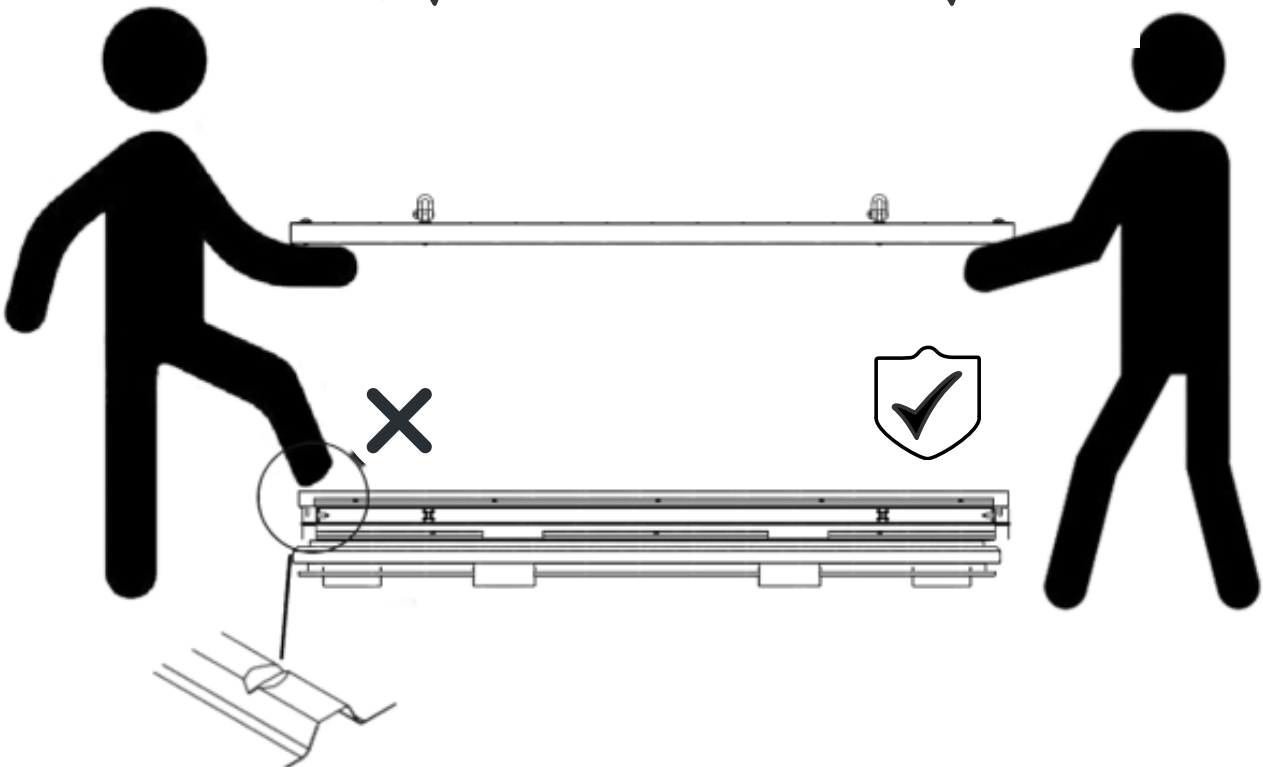
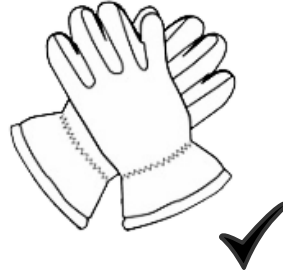
2x



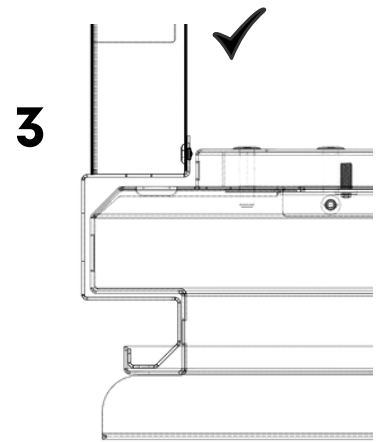
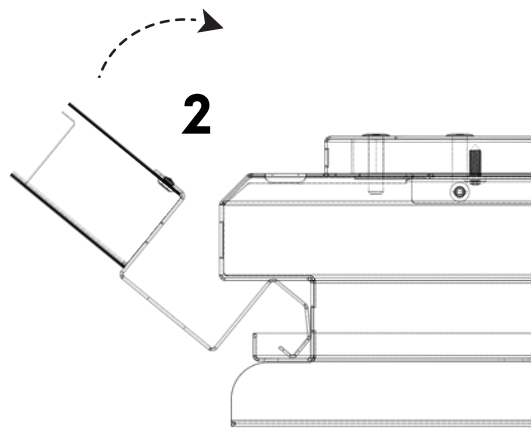
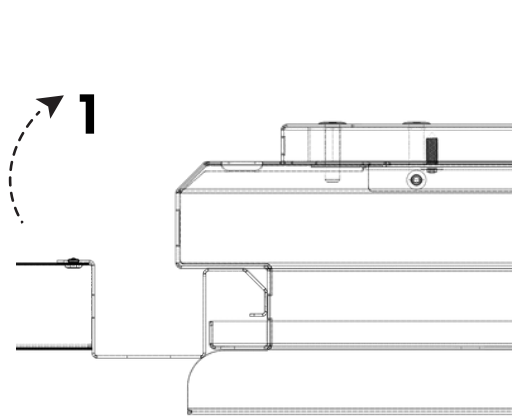
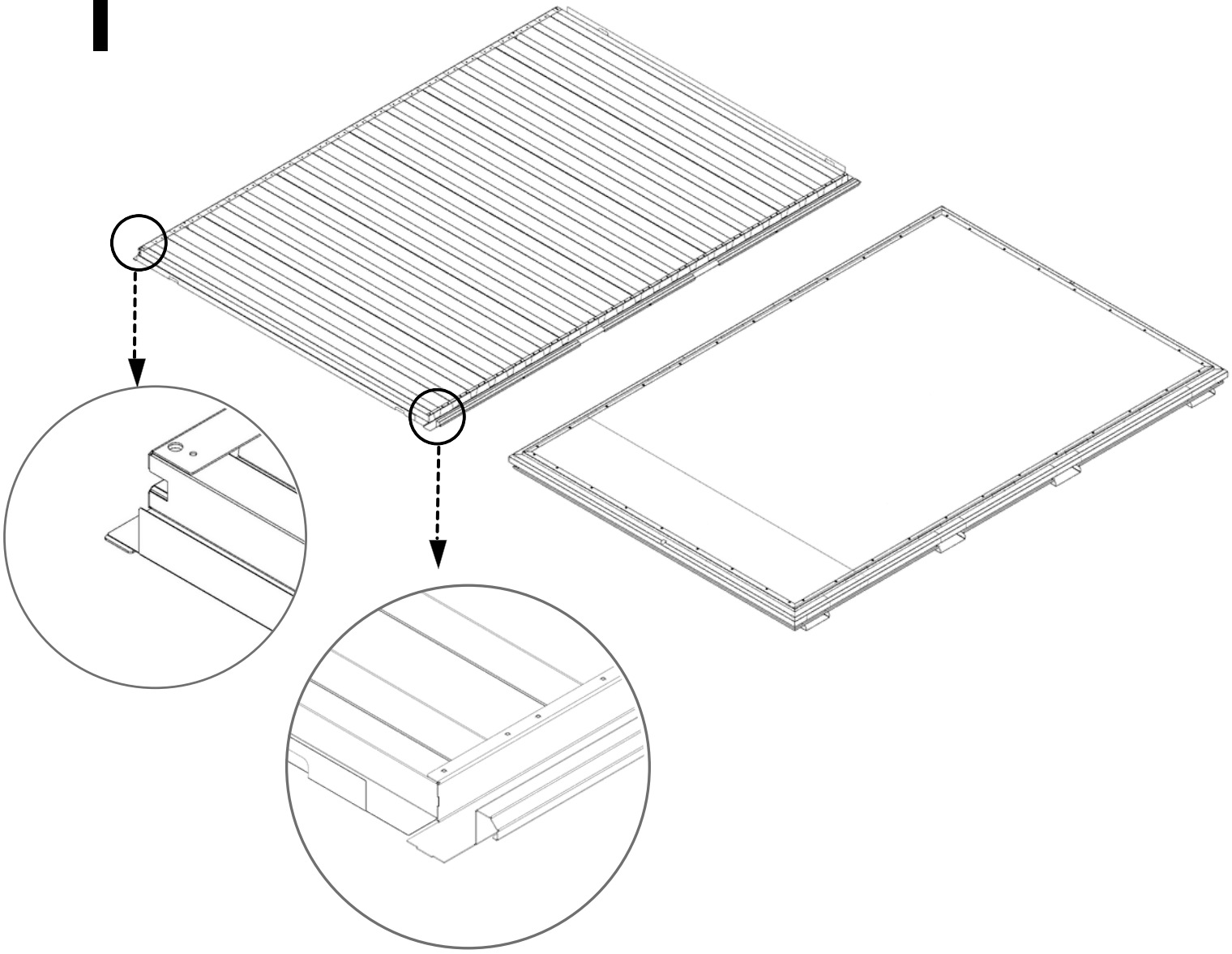
1x



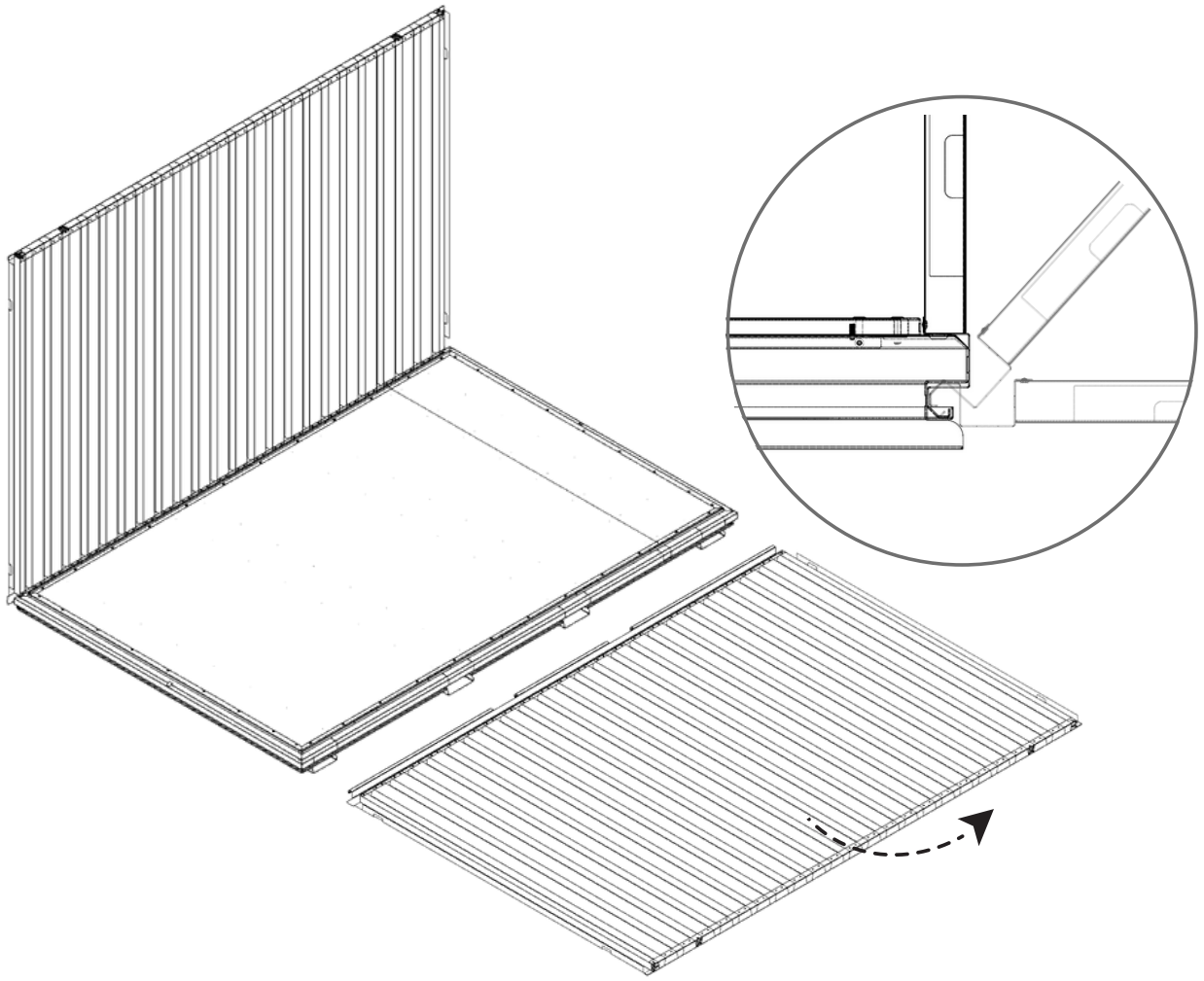
2x



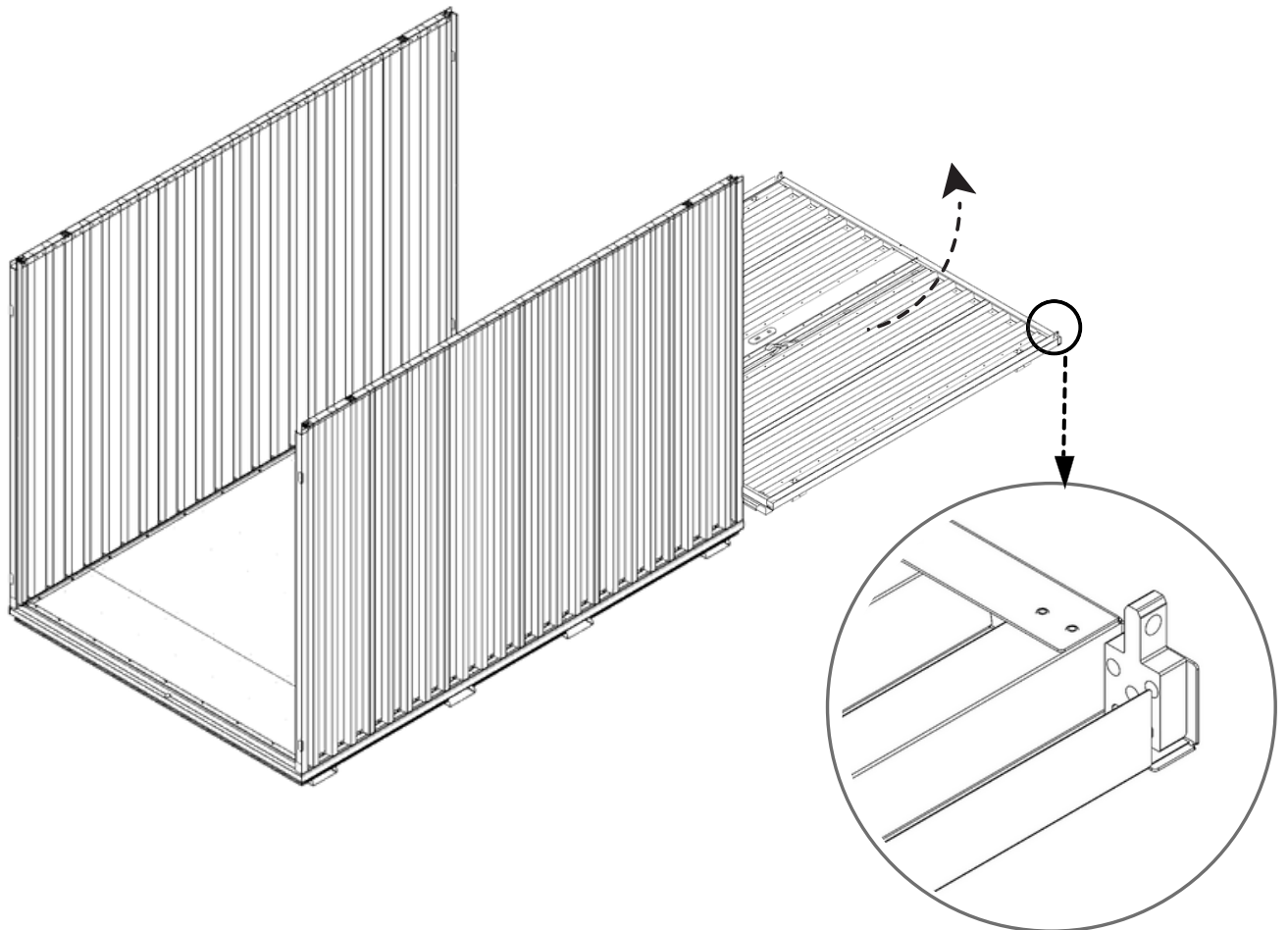
1



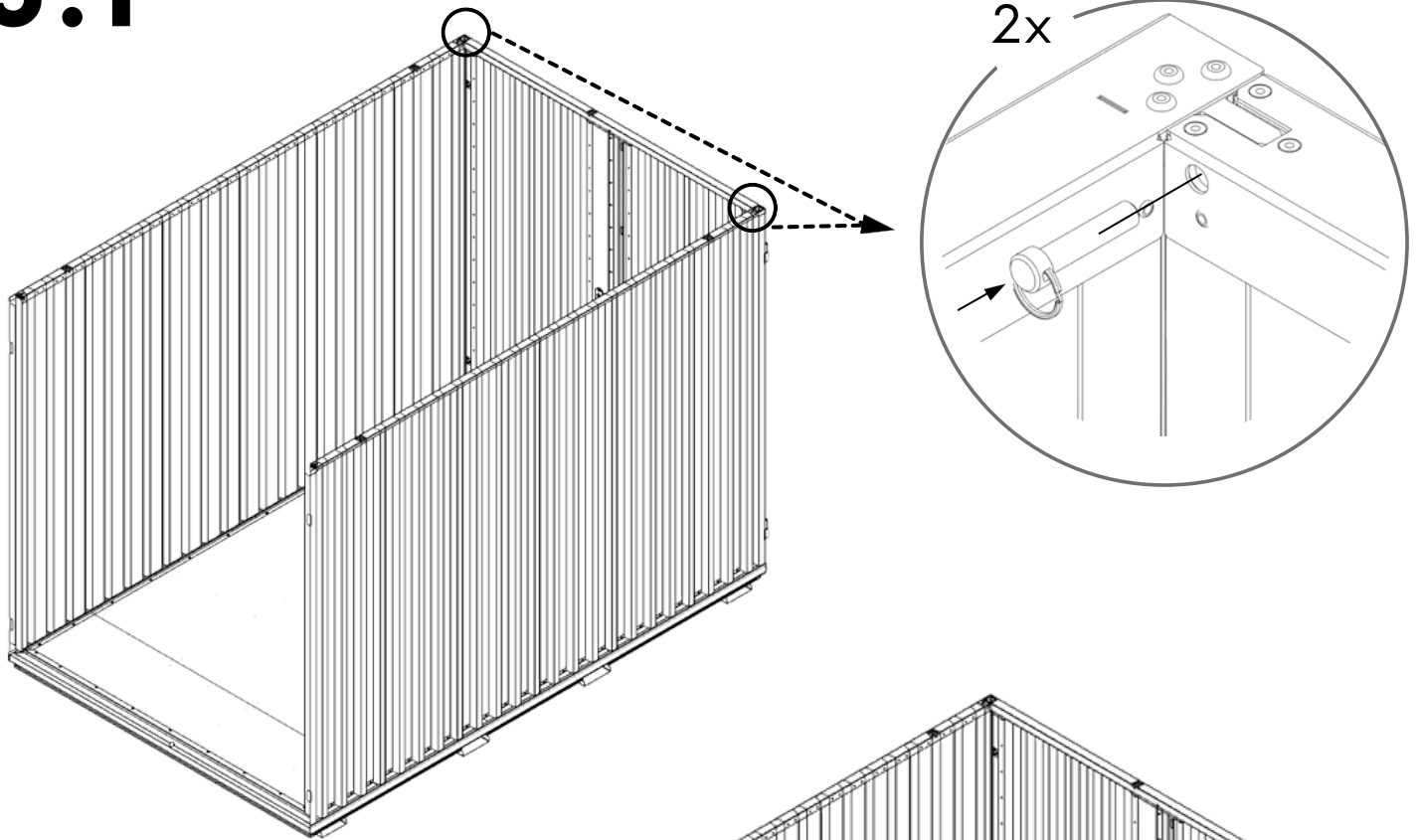
2



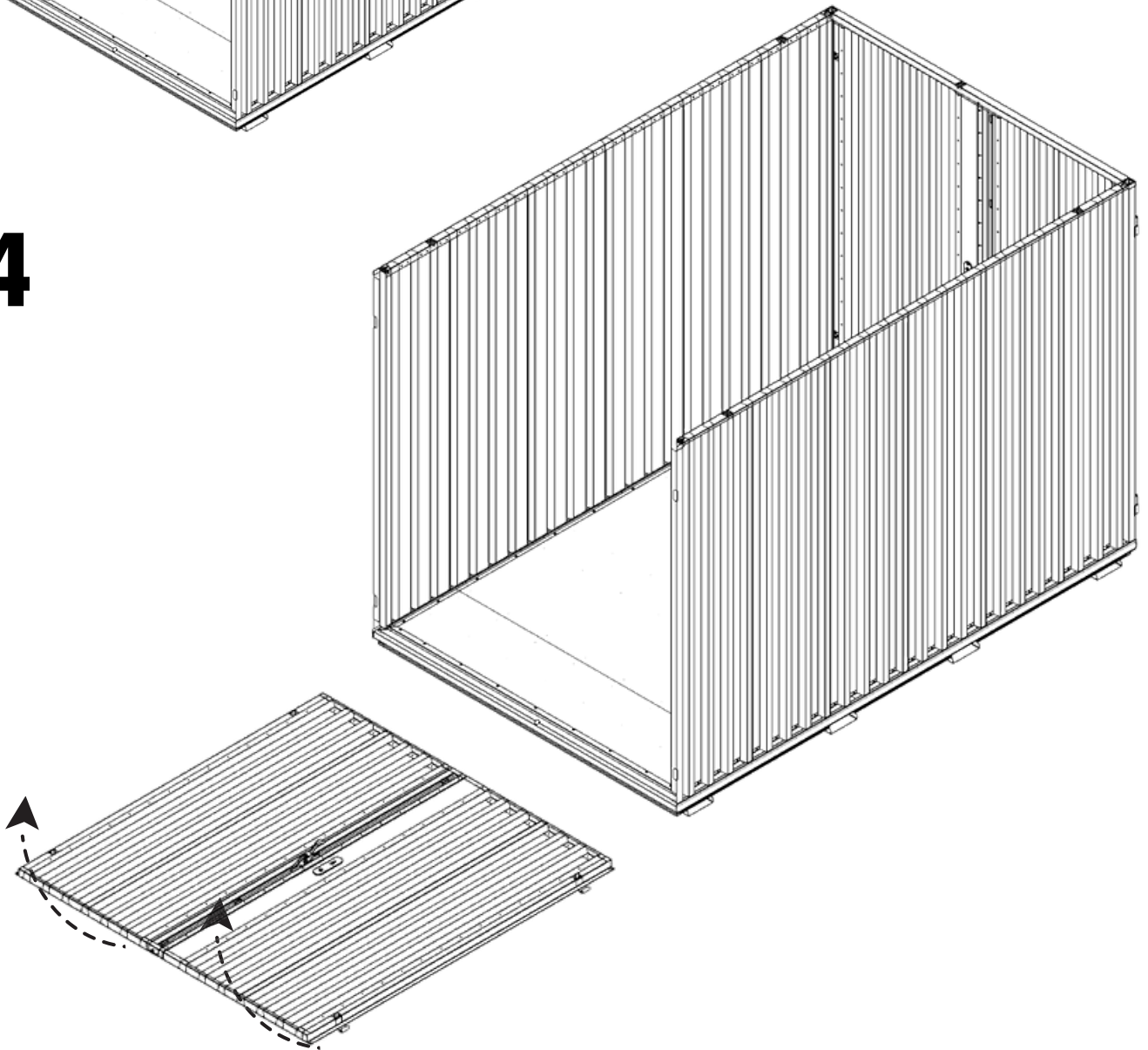
3



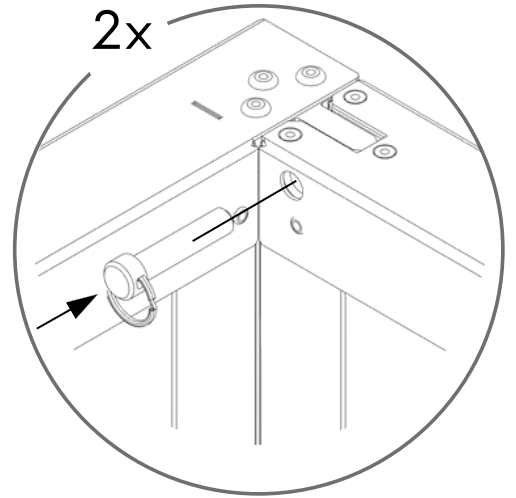
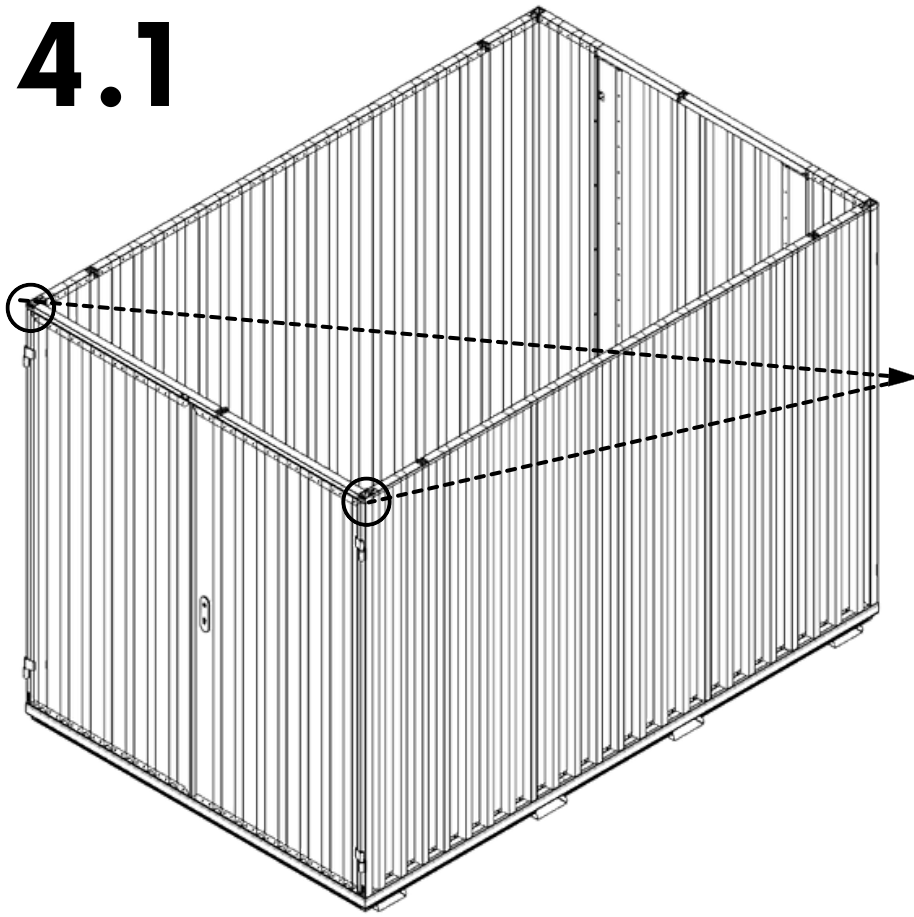
3.1












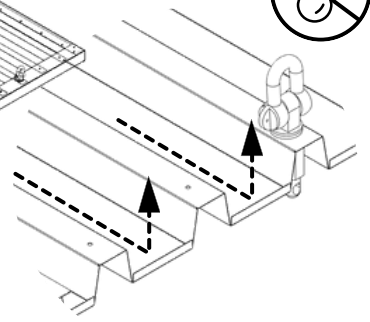
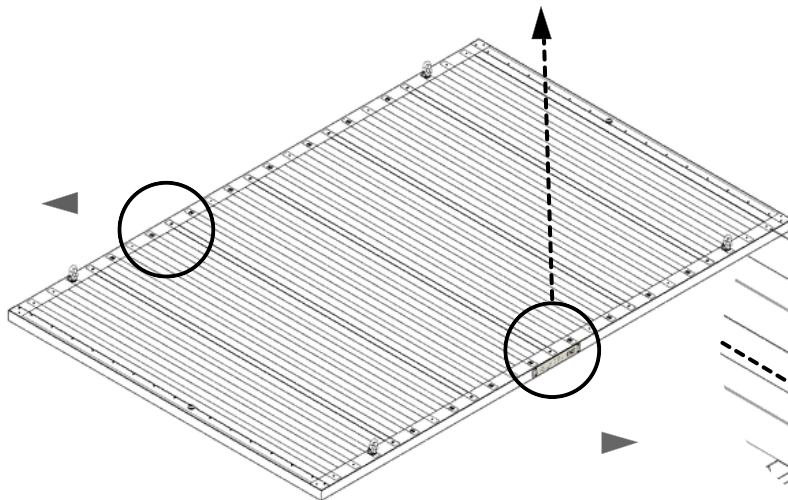
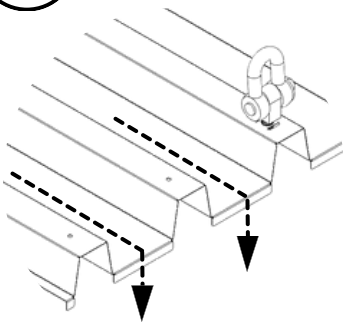
4



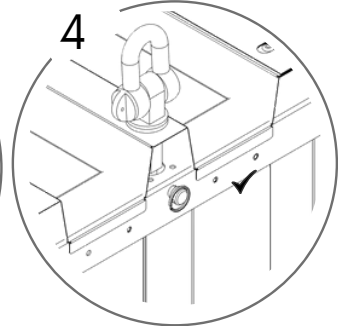
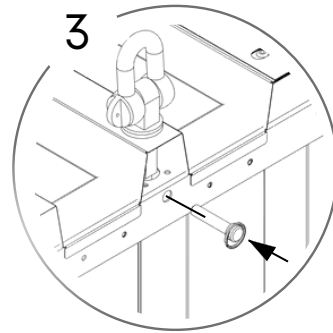
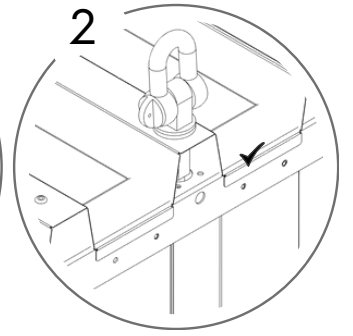
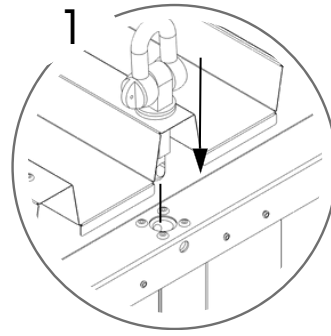
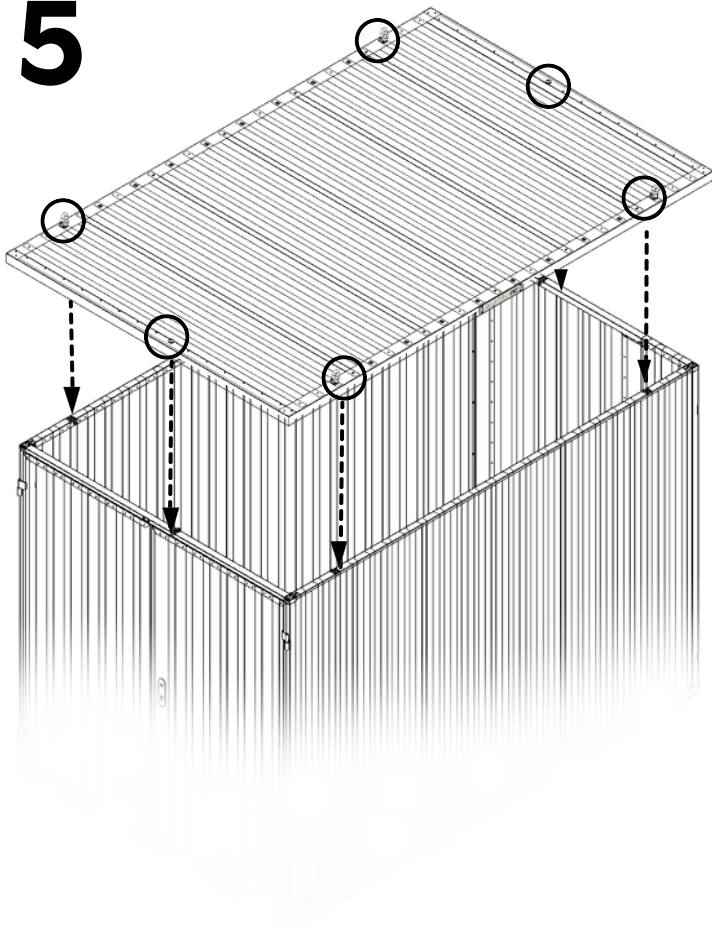
4.1



 336 KG	 3 TON	 1640 MM	Model Code: 30.110.440 Production Tracking Code:X09.130.440  9001  14001  50001	  
---	--	--	--	---



5



6

