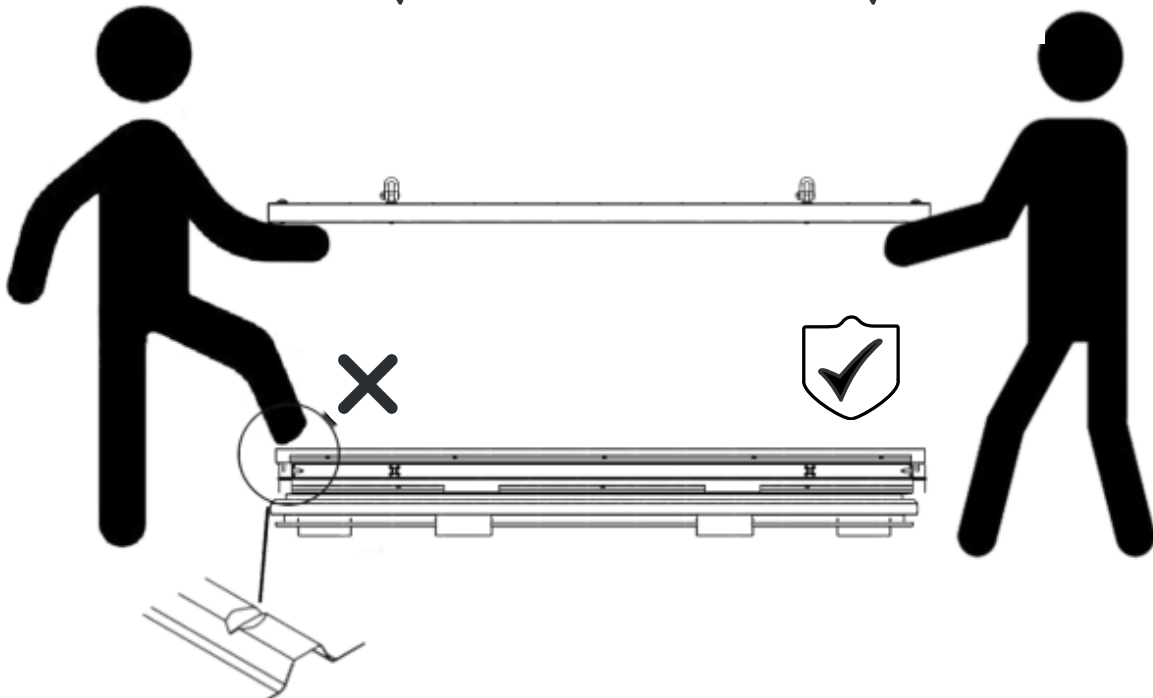
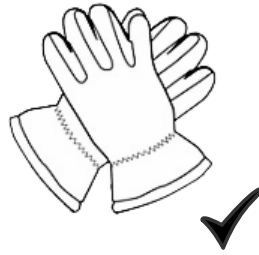
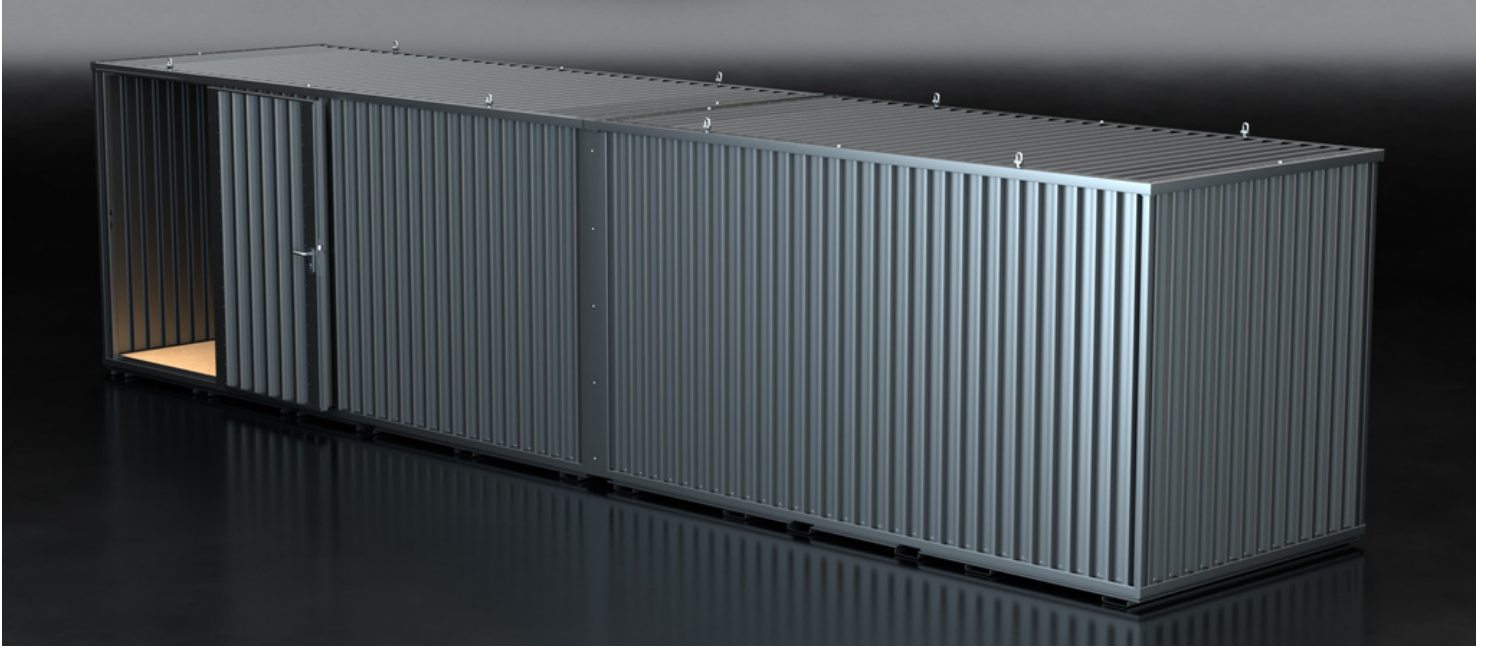


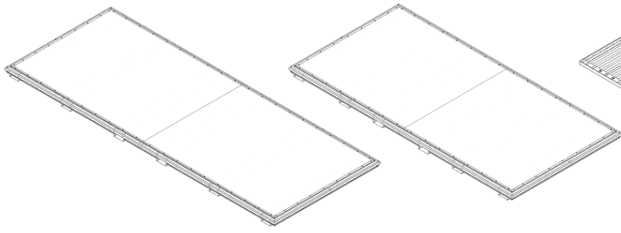
PRODUCT CODE:5040.110.450

prefabase
Quick Build Solutions

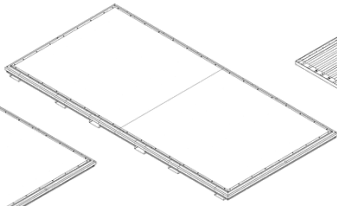
Instructions and User Guide



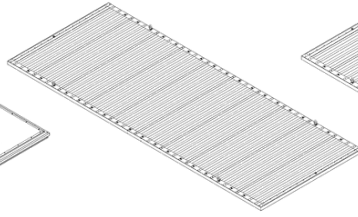
50.0110
1x



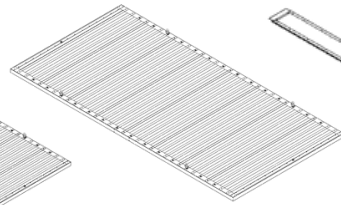
40.0110
1x



50.0510
1x



40.0510
1x



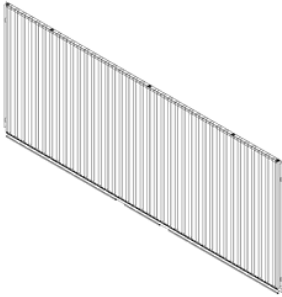
306.0110
1x



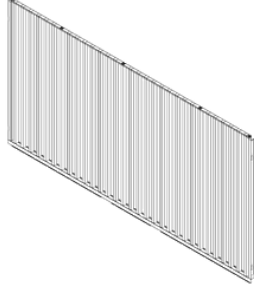
306.0510
1x



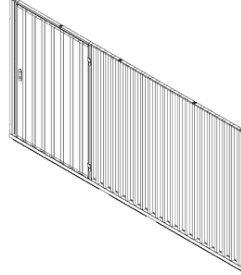
50.0410
2x



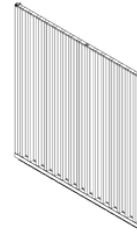
40.0410
1x



40.0450
1x



0310
2x



306.40.05
2x



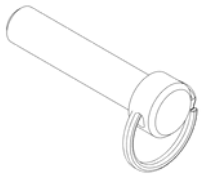
306.40.04
2x



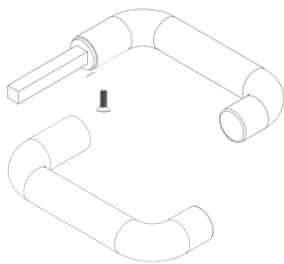
61.101
4x



24x



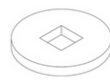
1x



10x



10x



10x



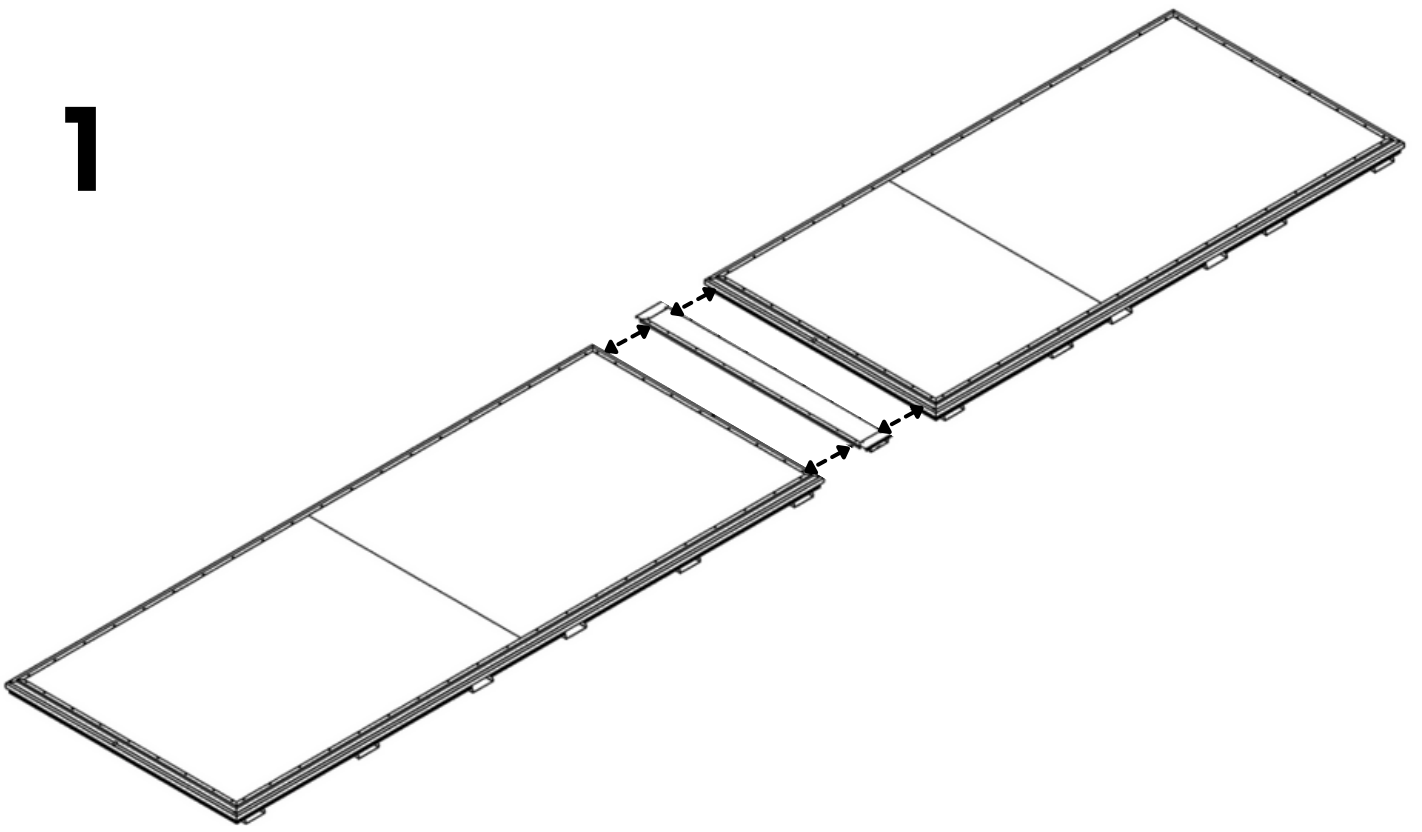
1x



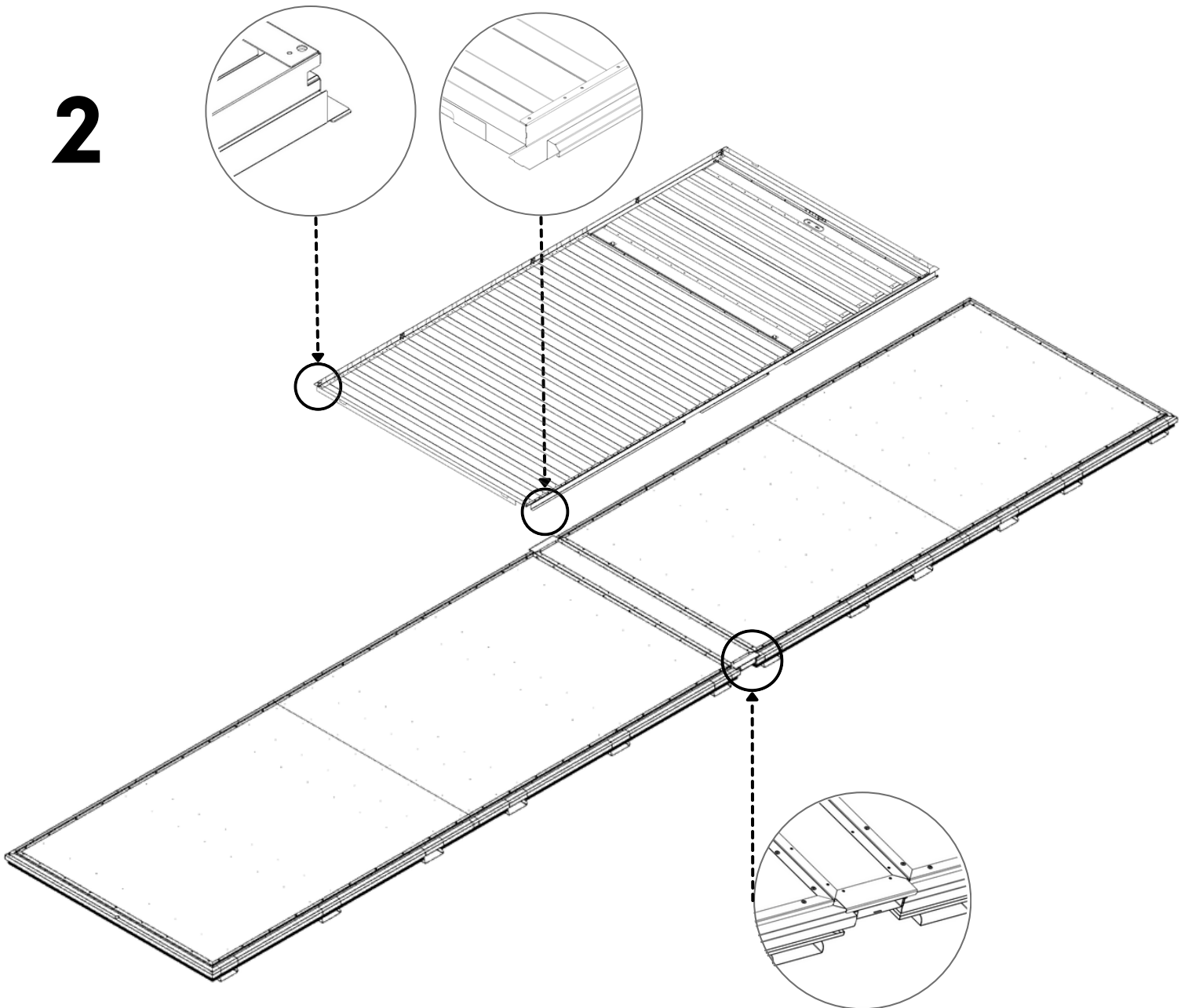
1x

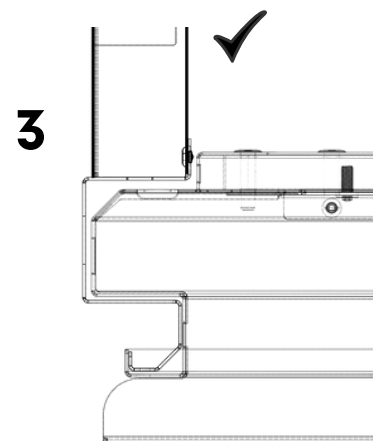
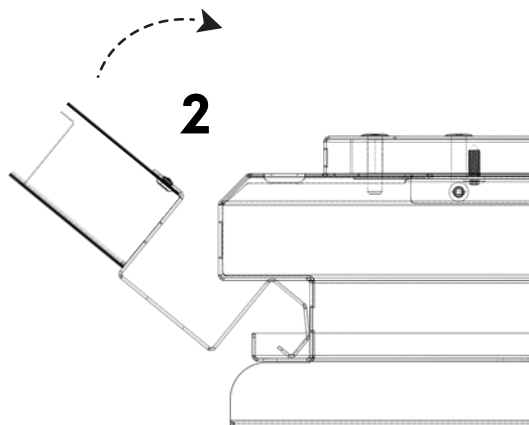
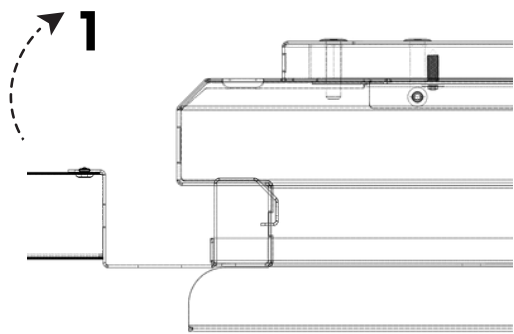


1

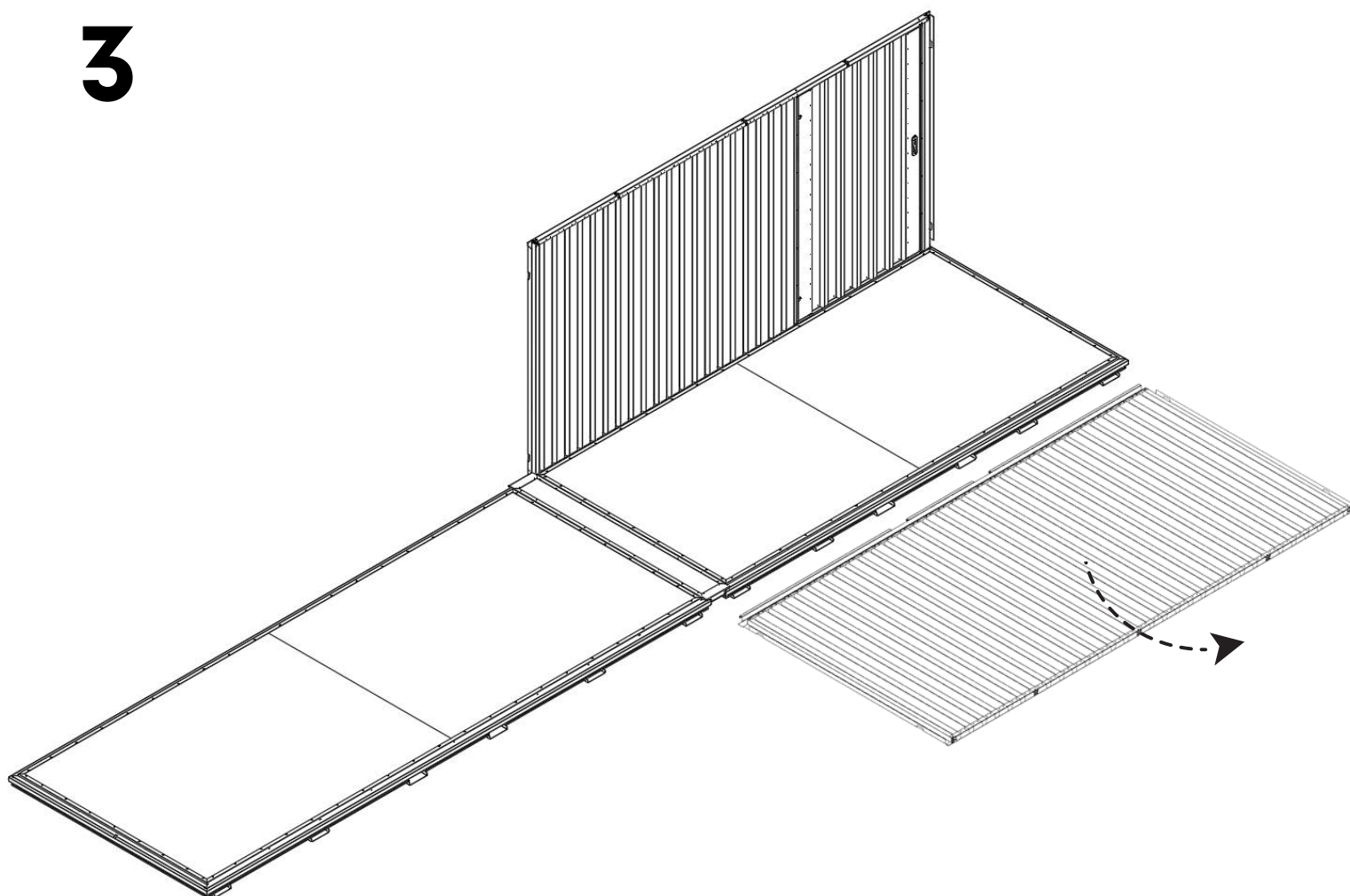


2

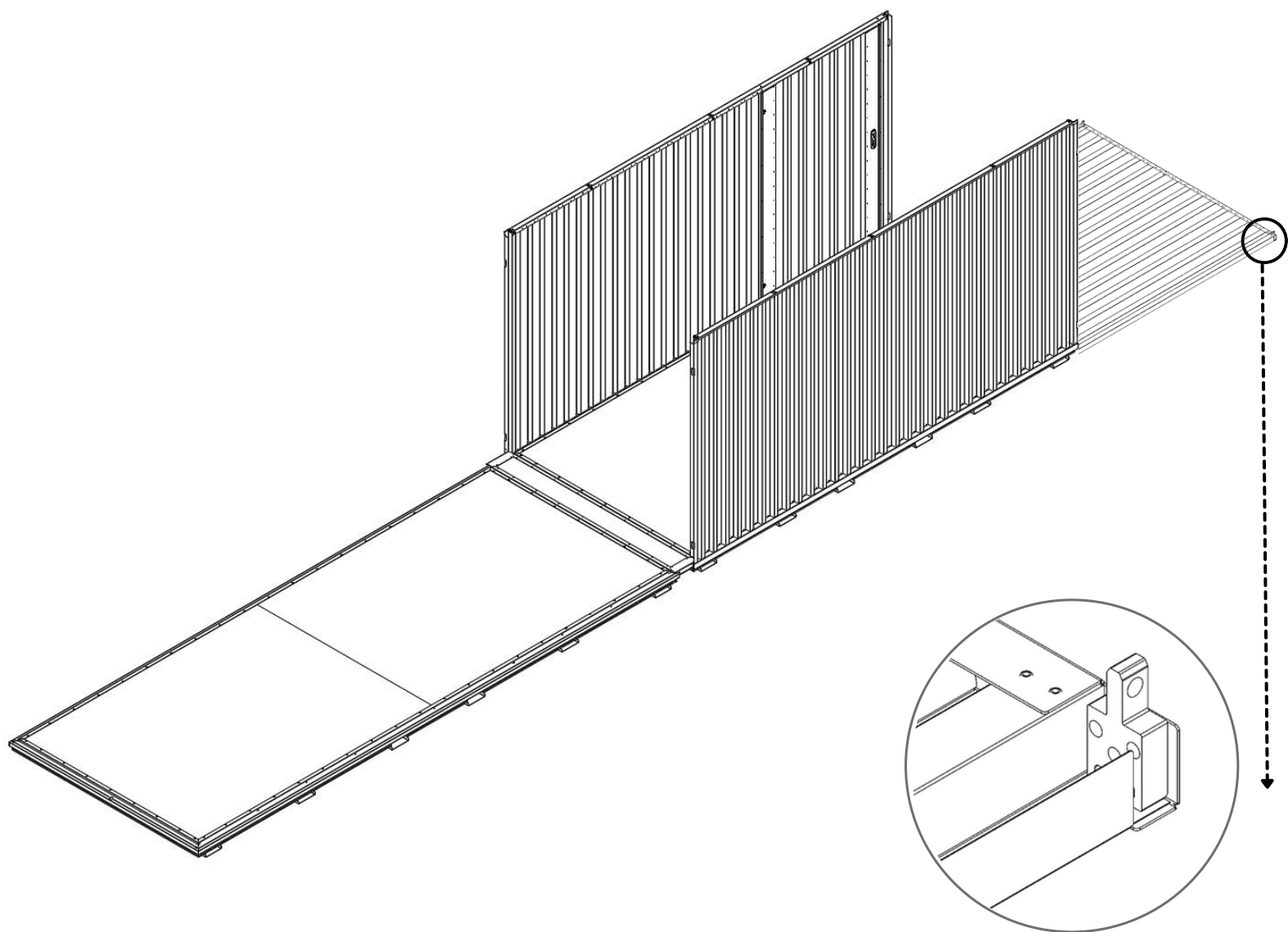




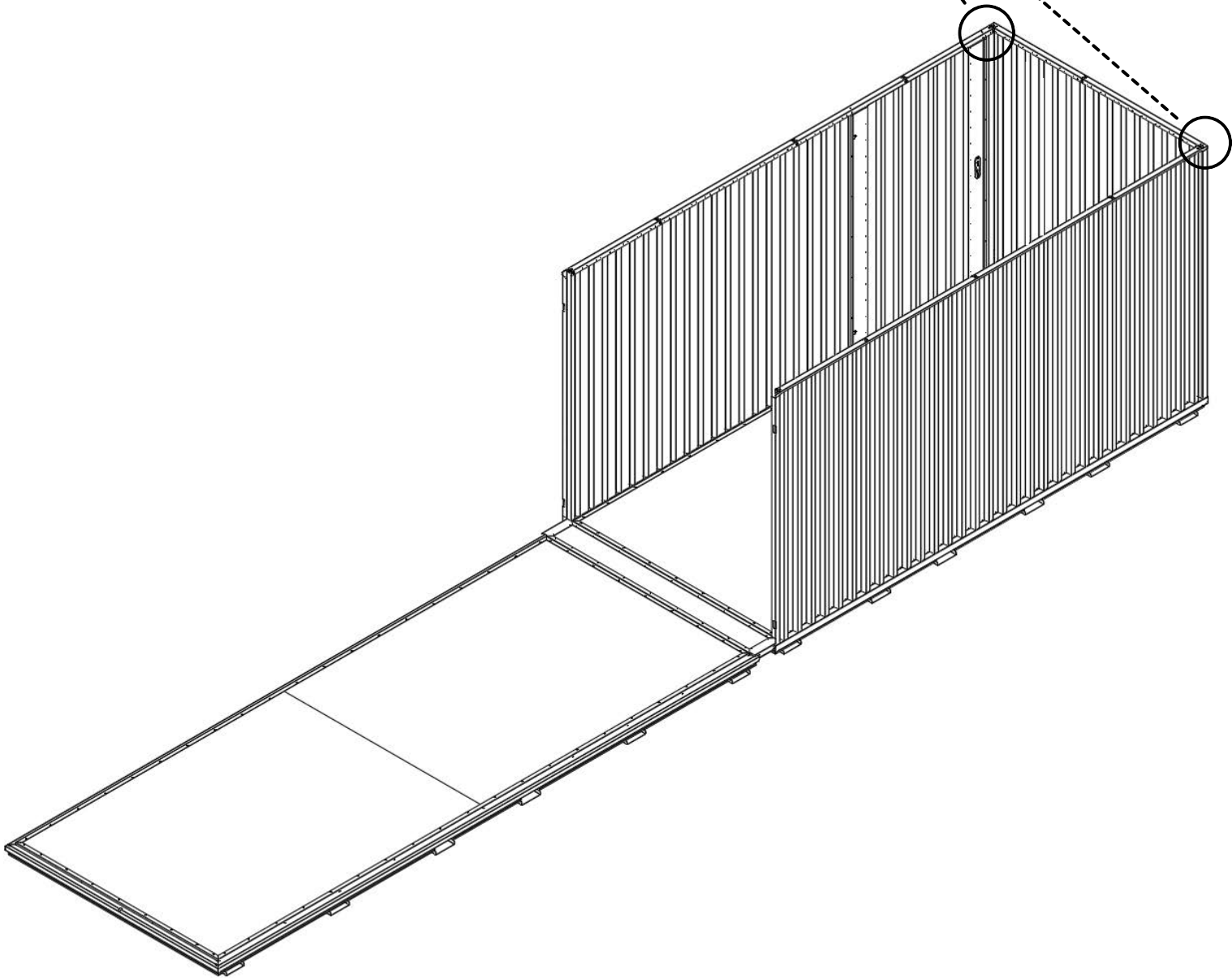
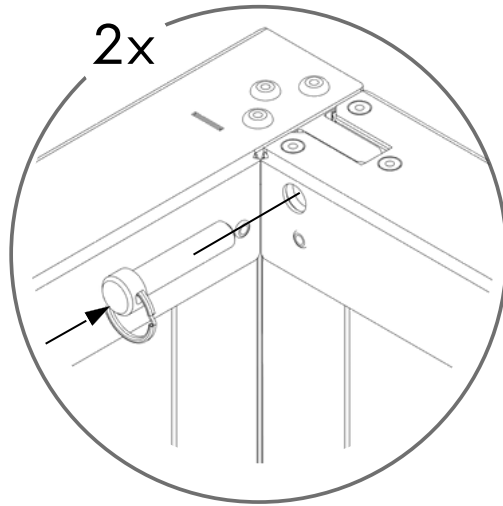
3



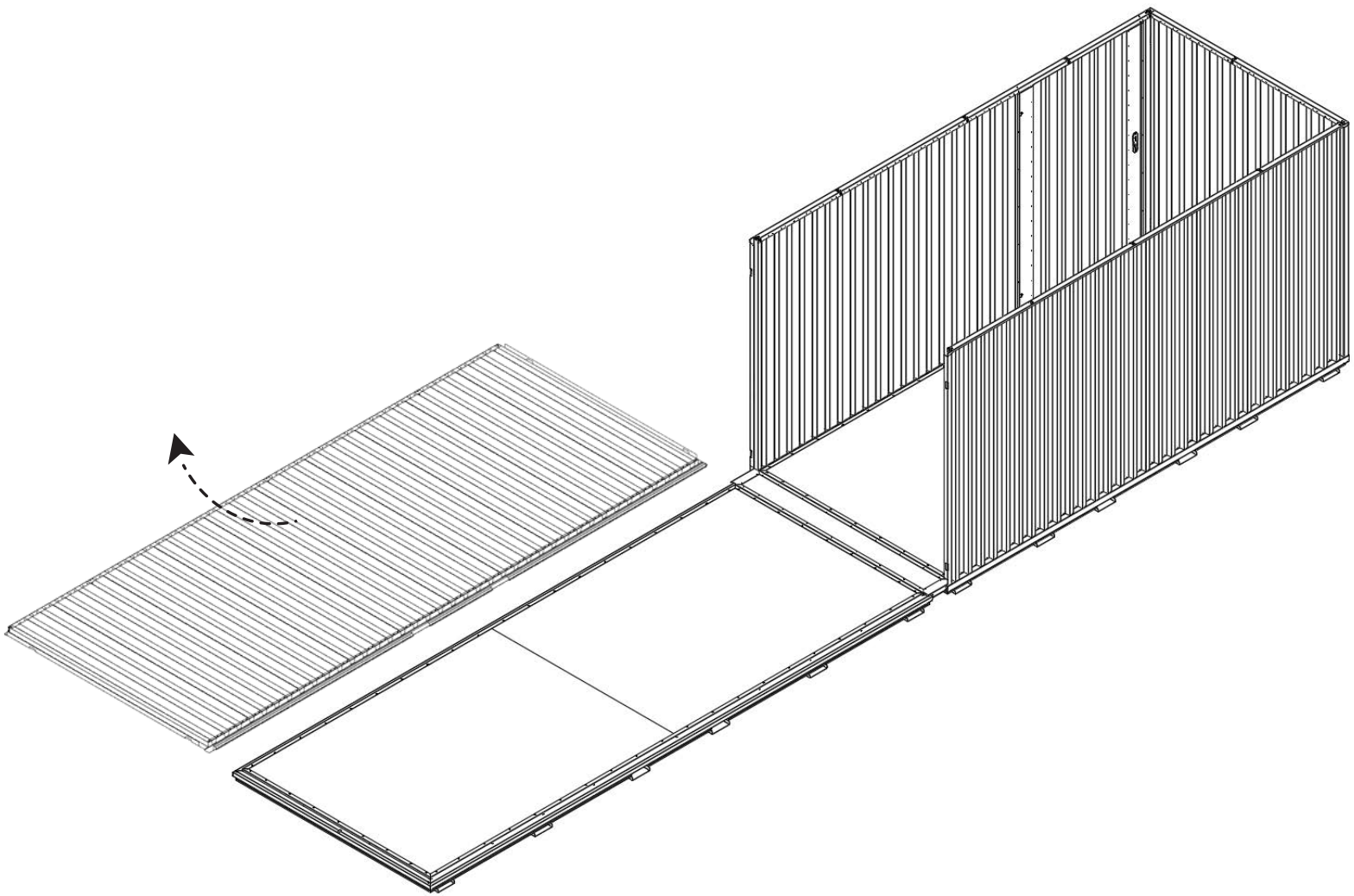
4



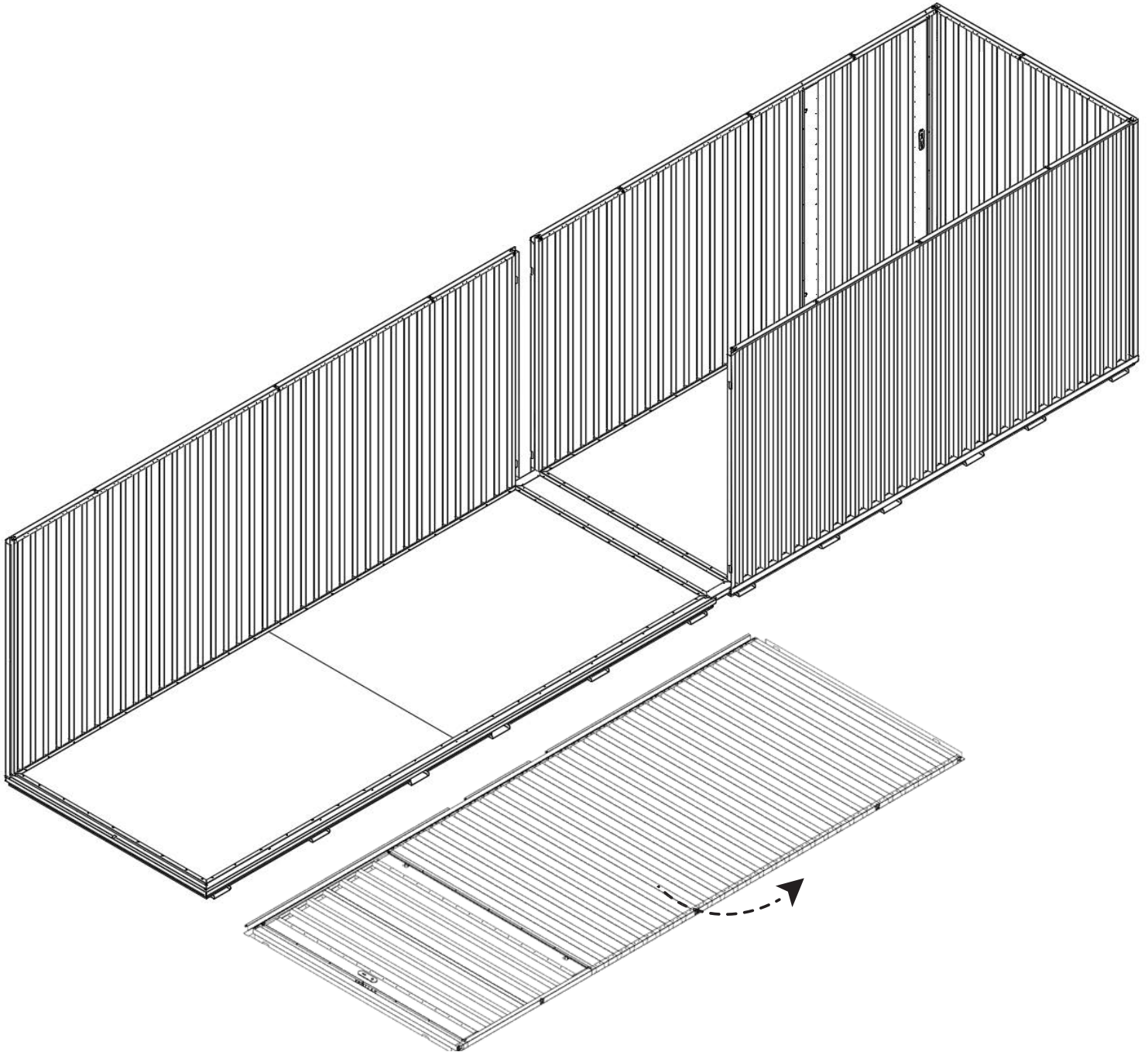
4.1



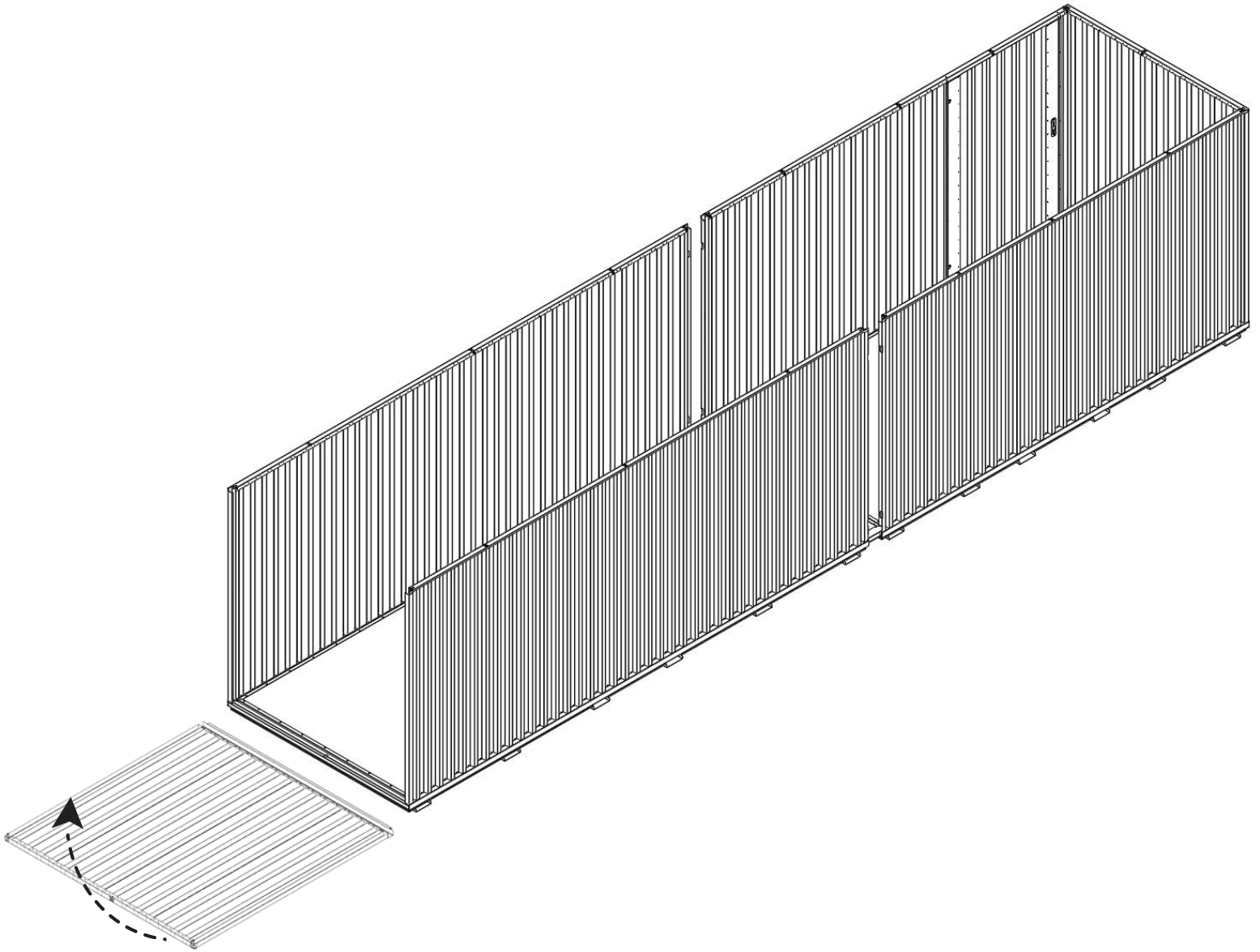
5



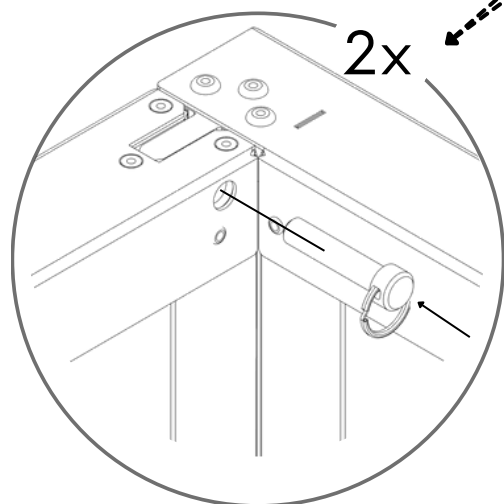
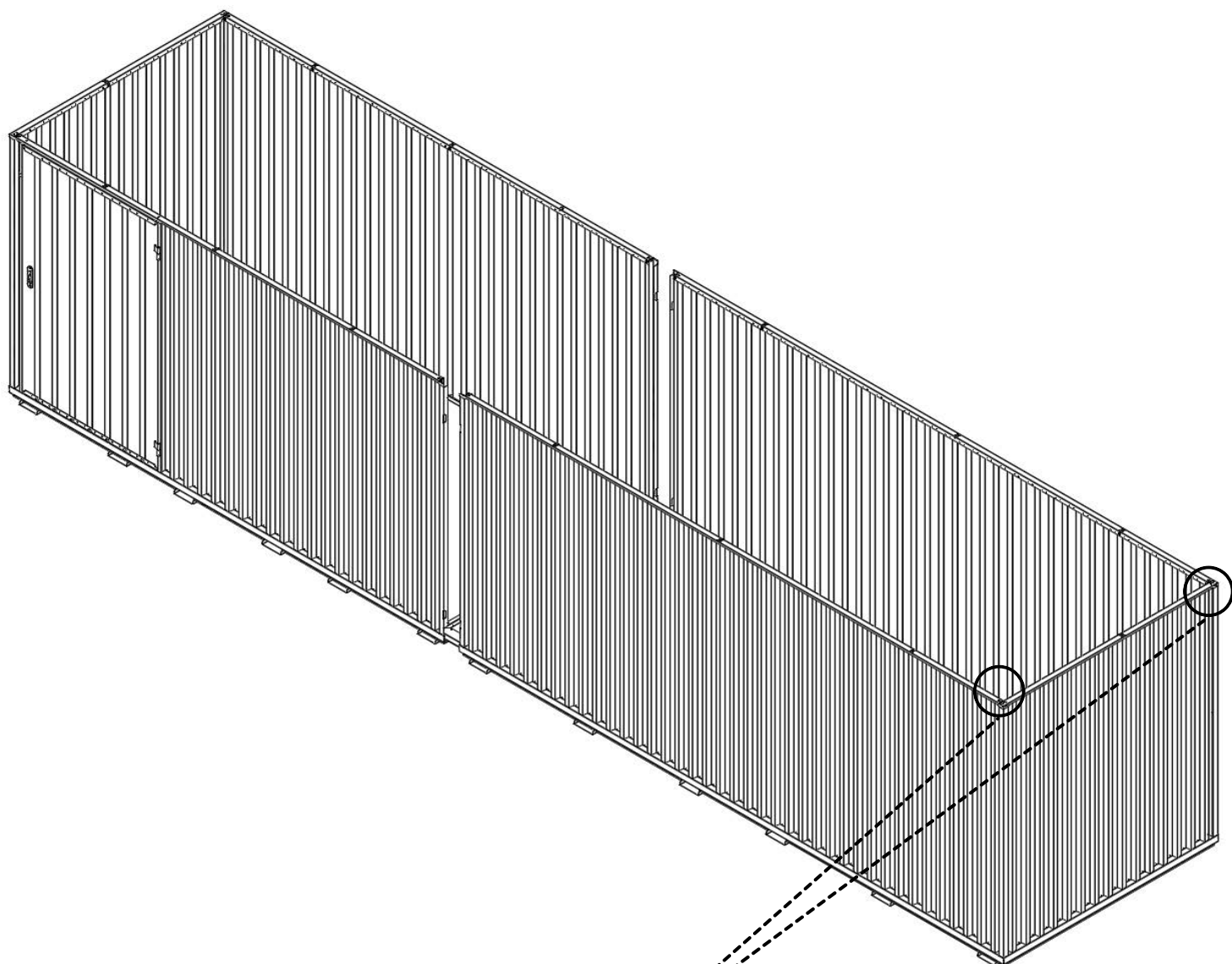
6



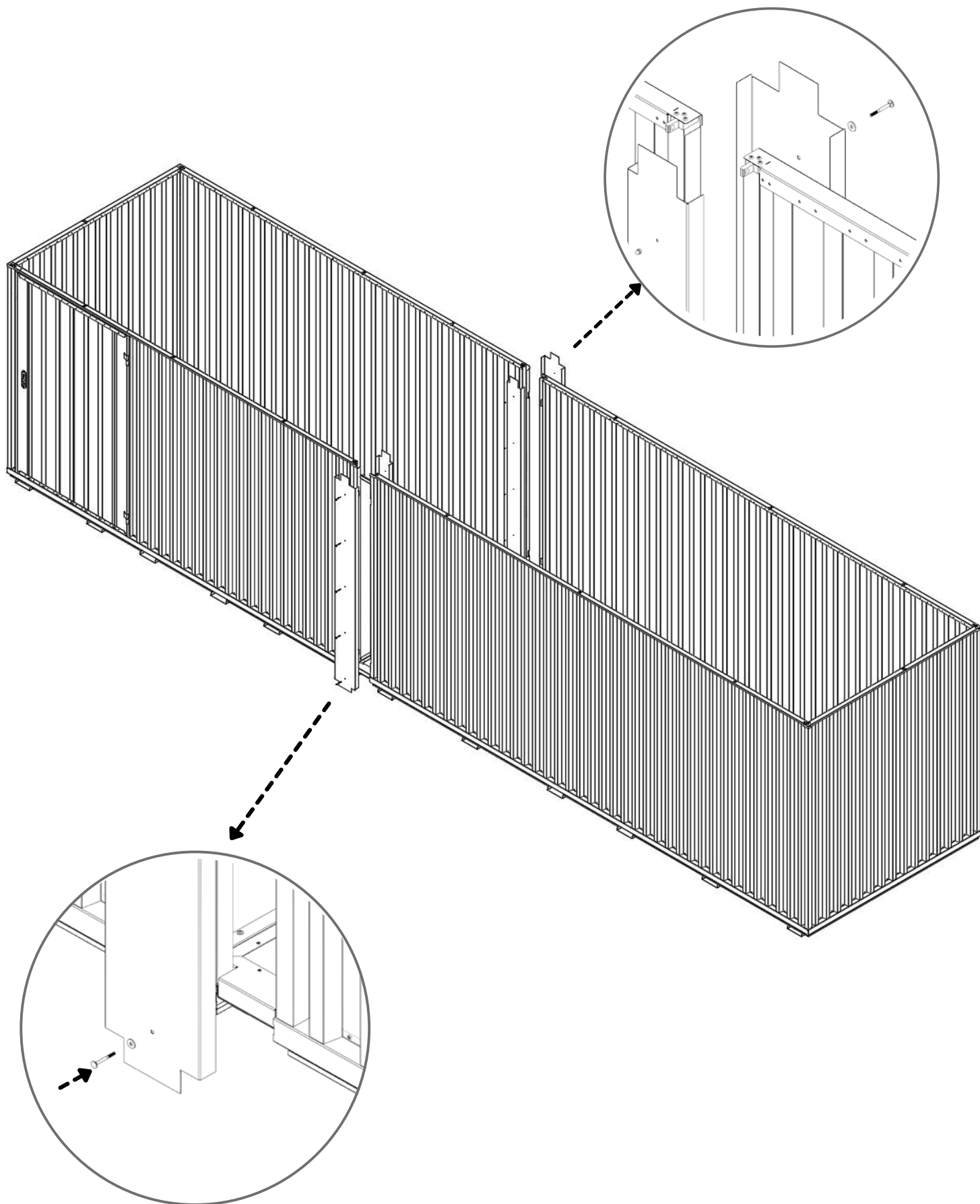
7



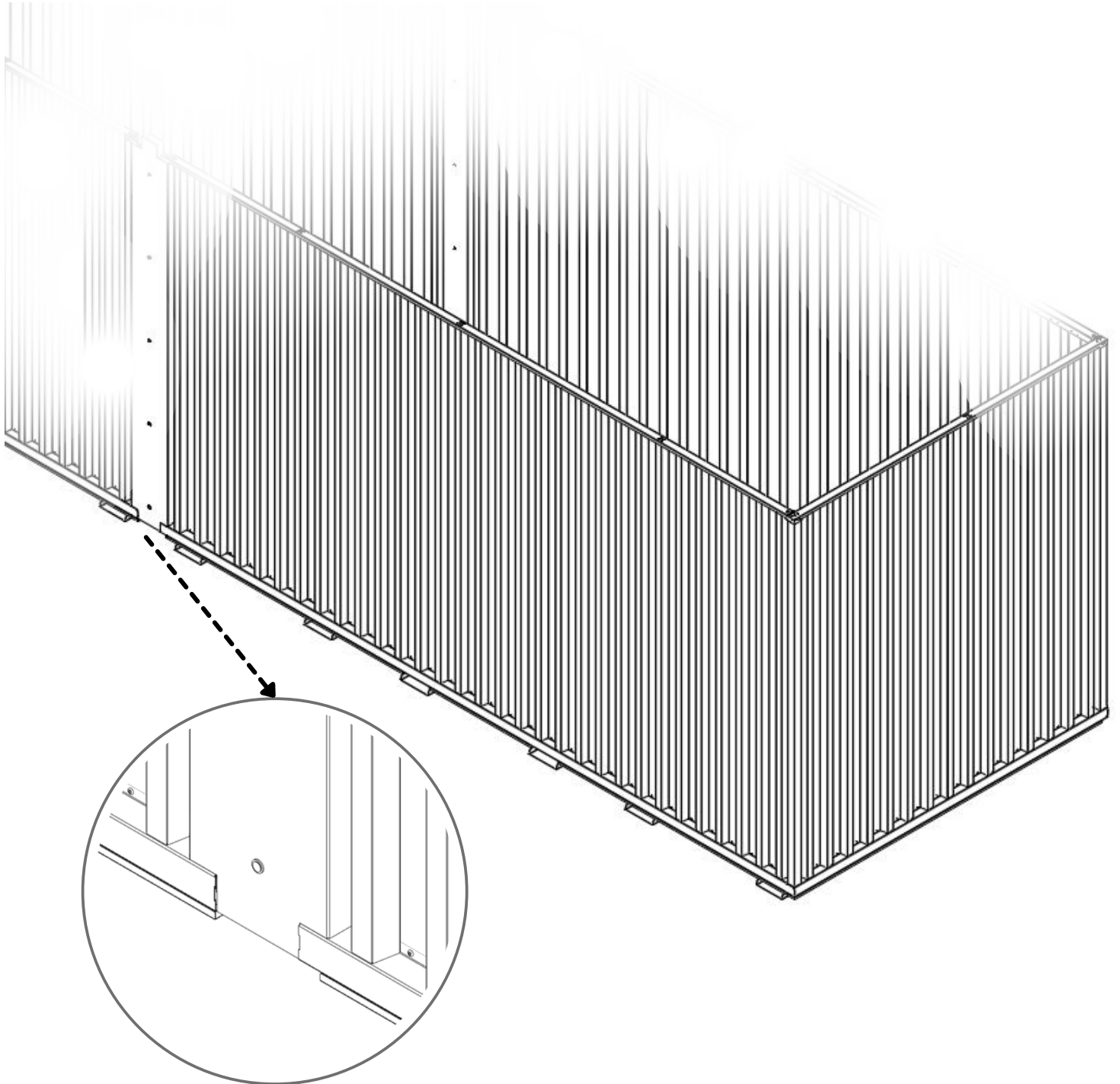
7.1



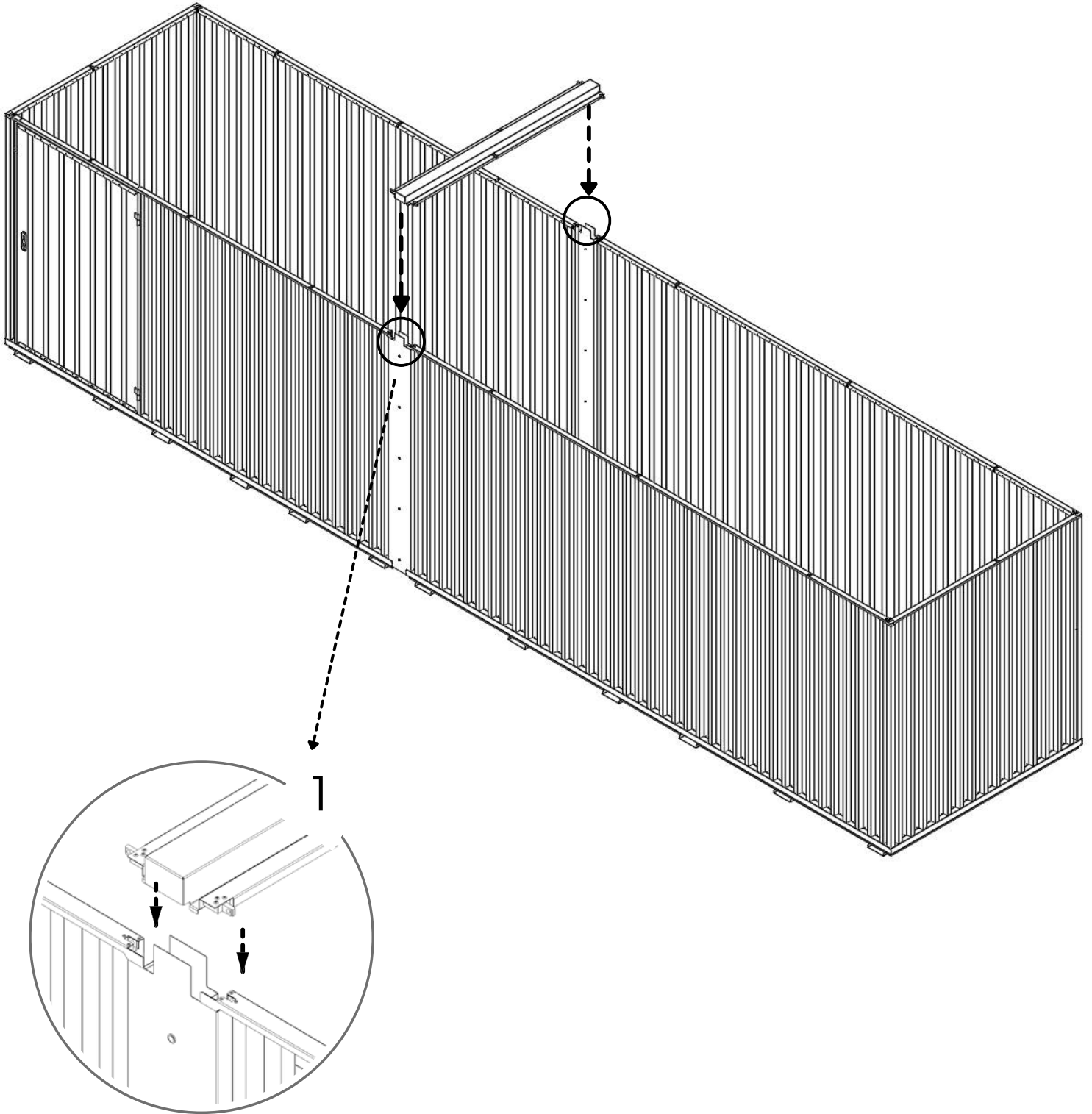
8



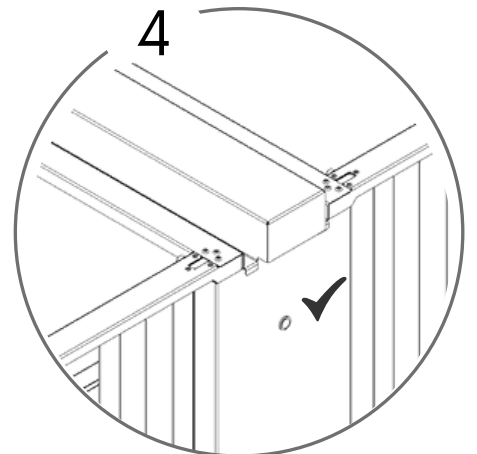
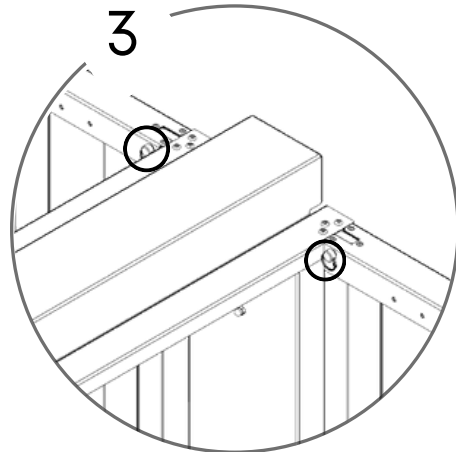
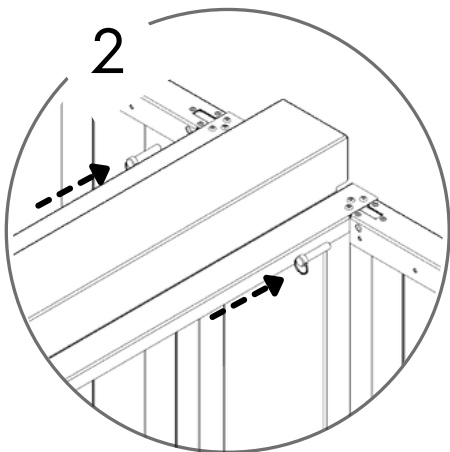
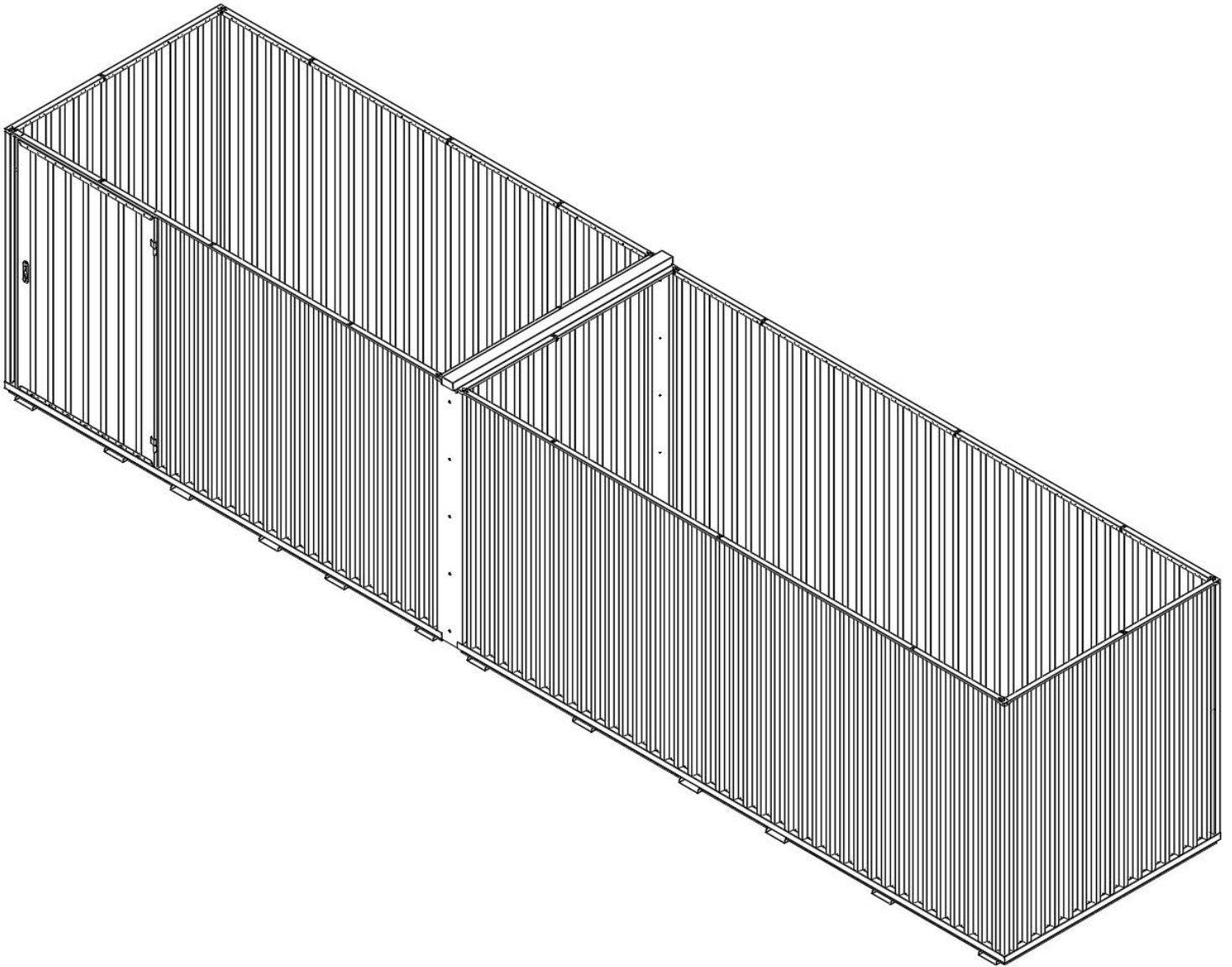
9











10

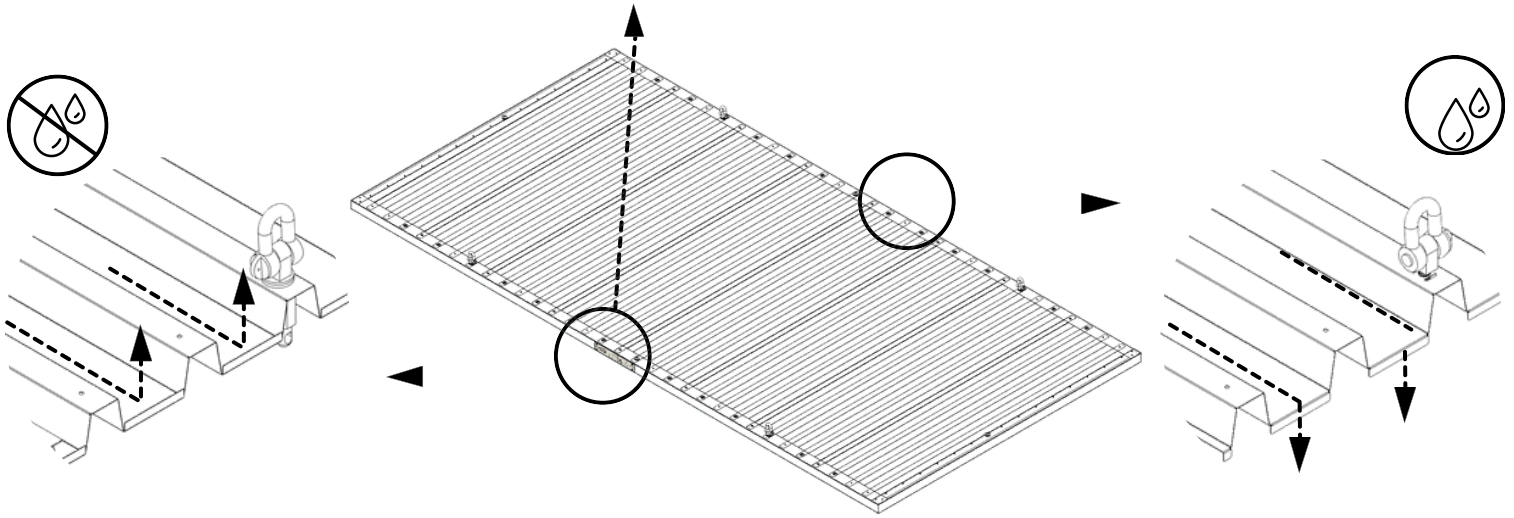


11

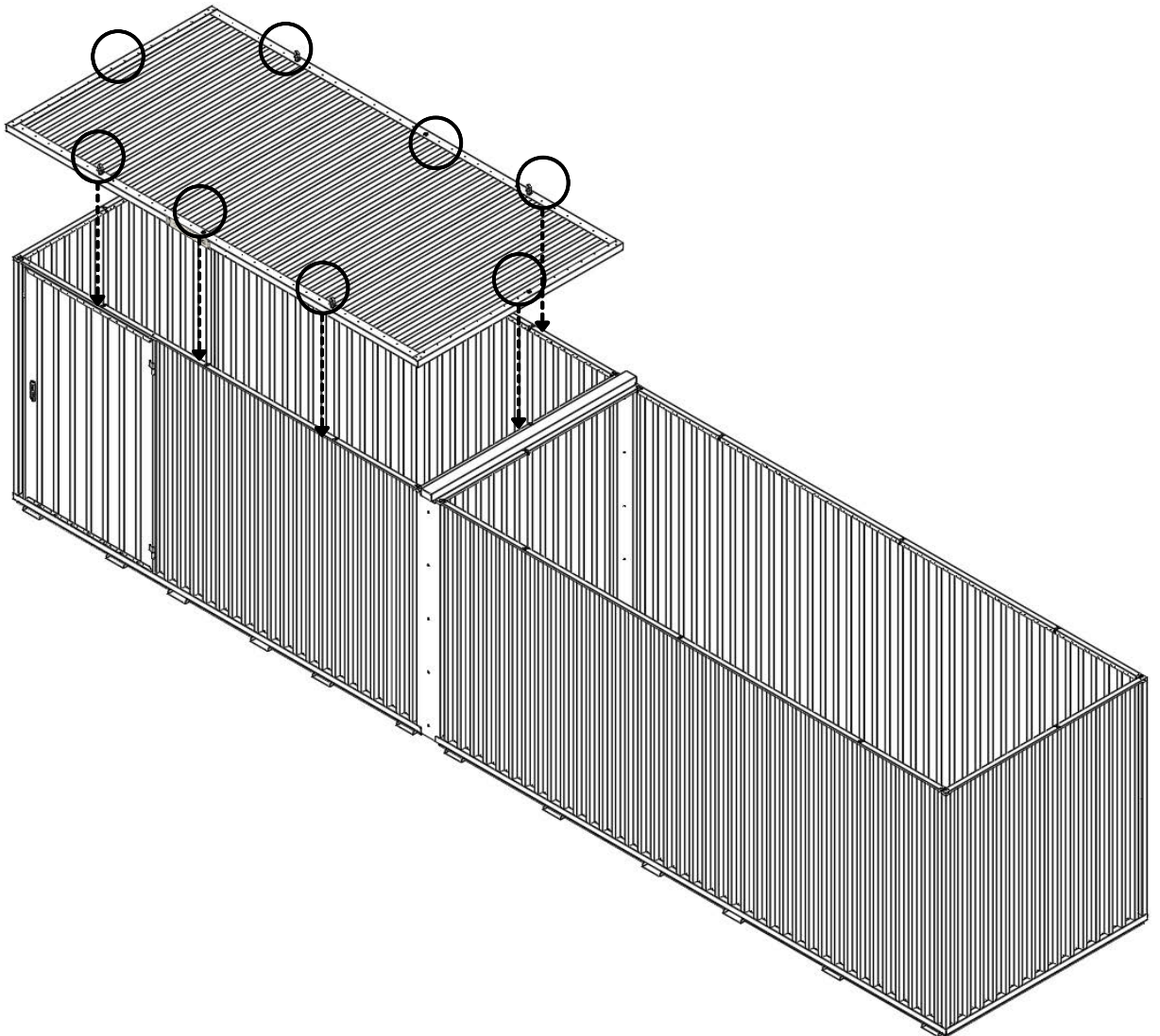




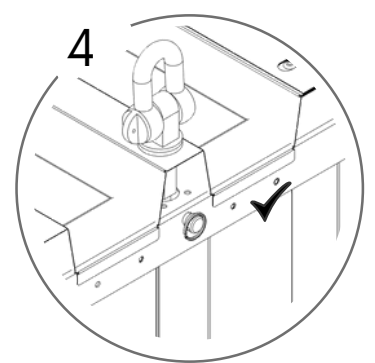
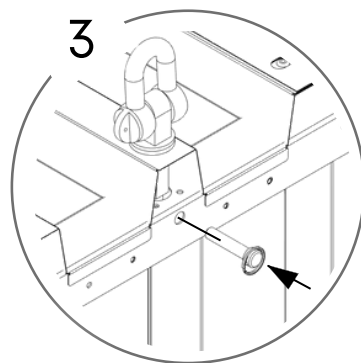
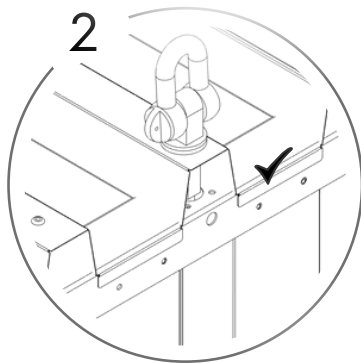
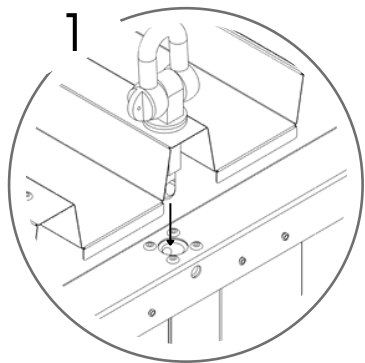
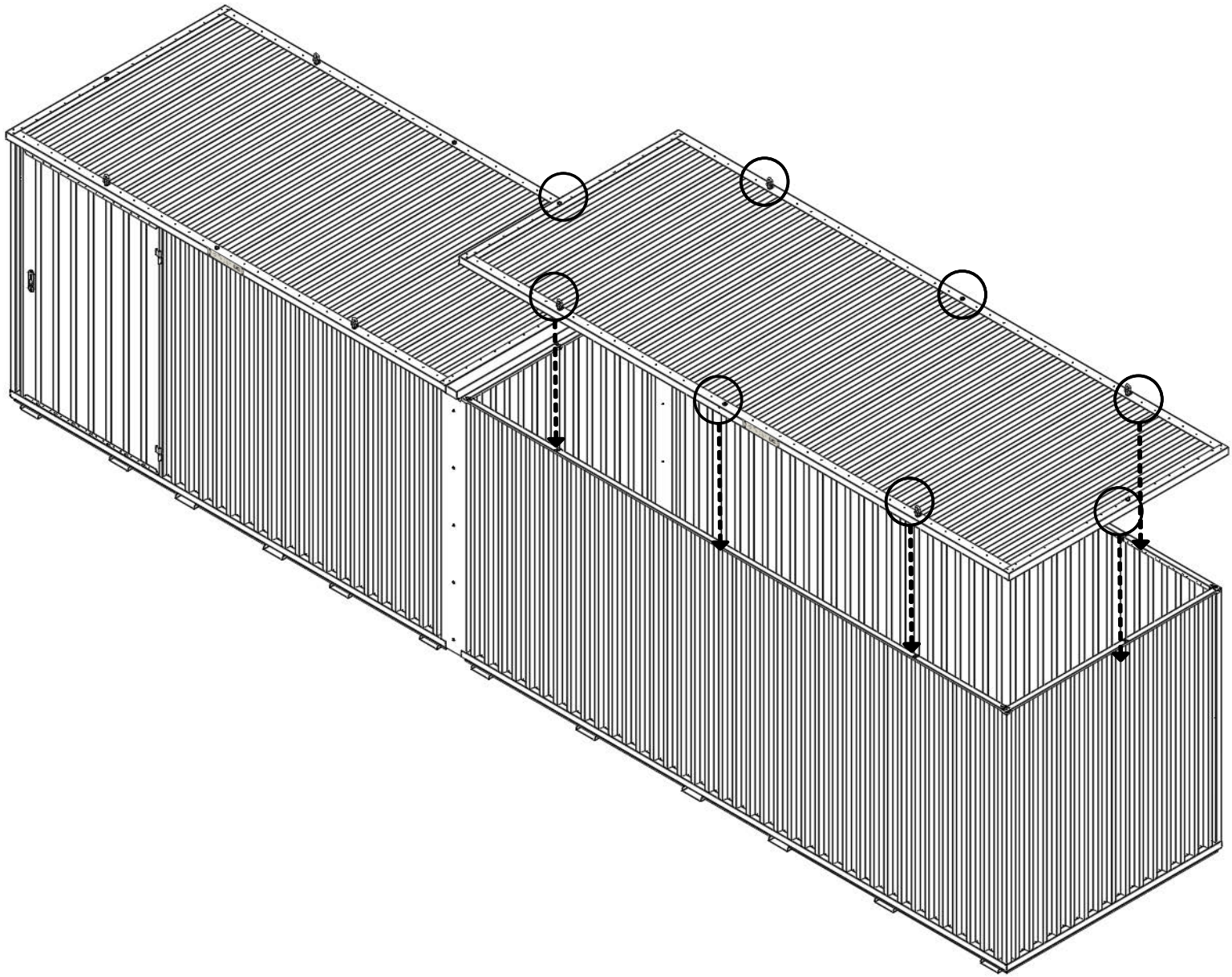
 868 KG	 1640 MM	Model Code: 5040.110.450 Production Tracking Code:/X09.1.5040.450  9001  14001  50001	 	
---	--	---	---	---



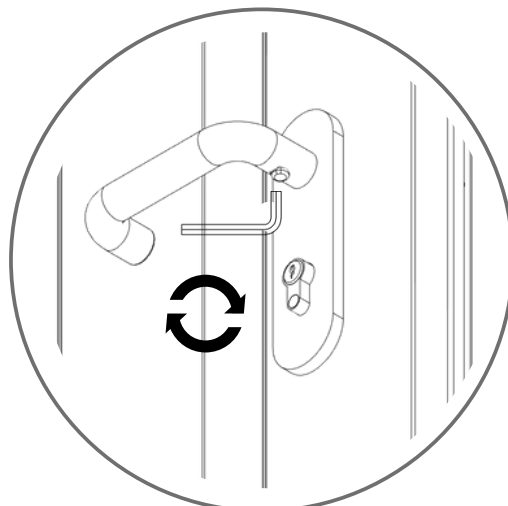
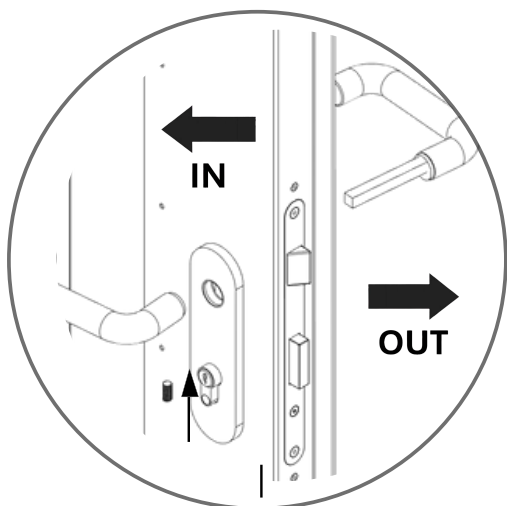
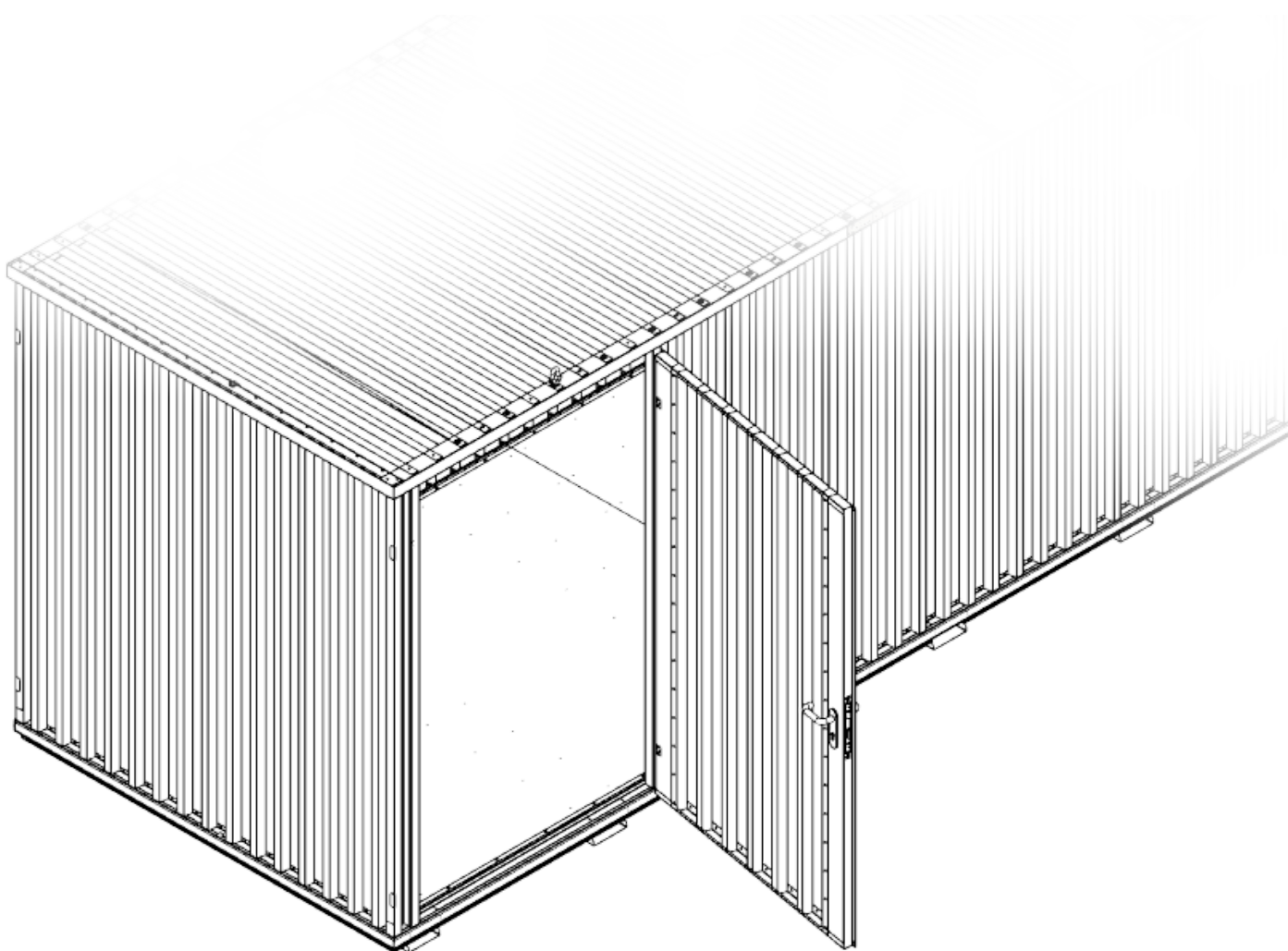
12



13



14



15

