

**PRODUCT CODE:50.110.450.330**

**prefabase**  
Quick Build Solutions

Instructions and User Guide



50.0110

1x

50.0450/0210

1x

50.0410

1x

0330/0220/0230

1x

0310

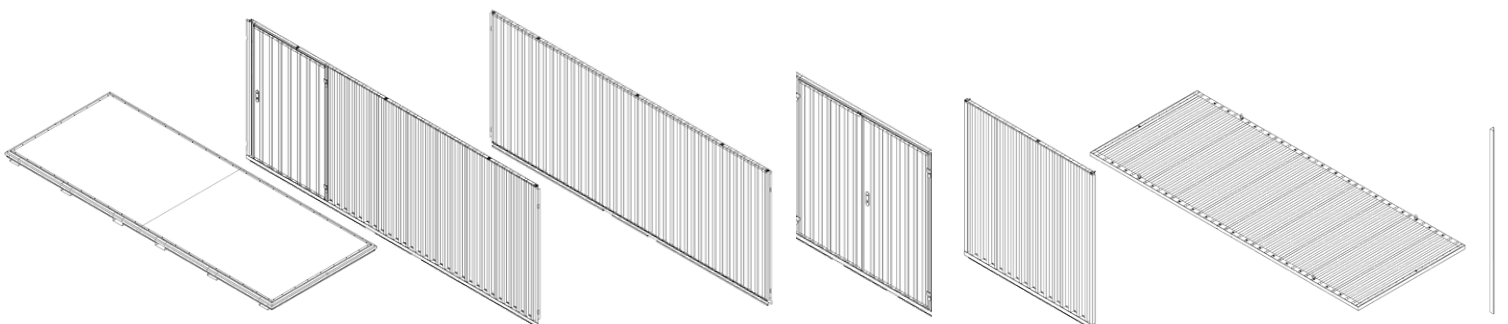
1x

50.0510

1x

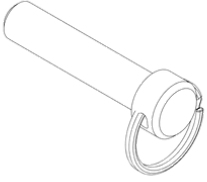
0099.61.101

2x

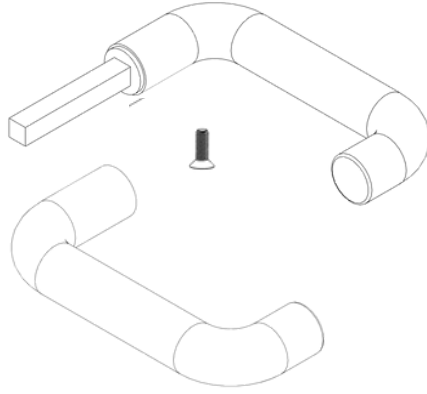




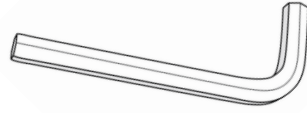
12x



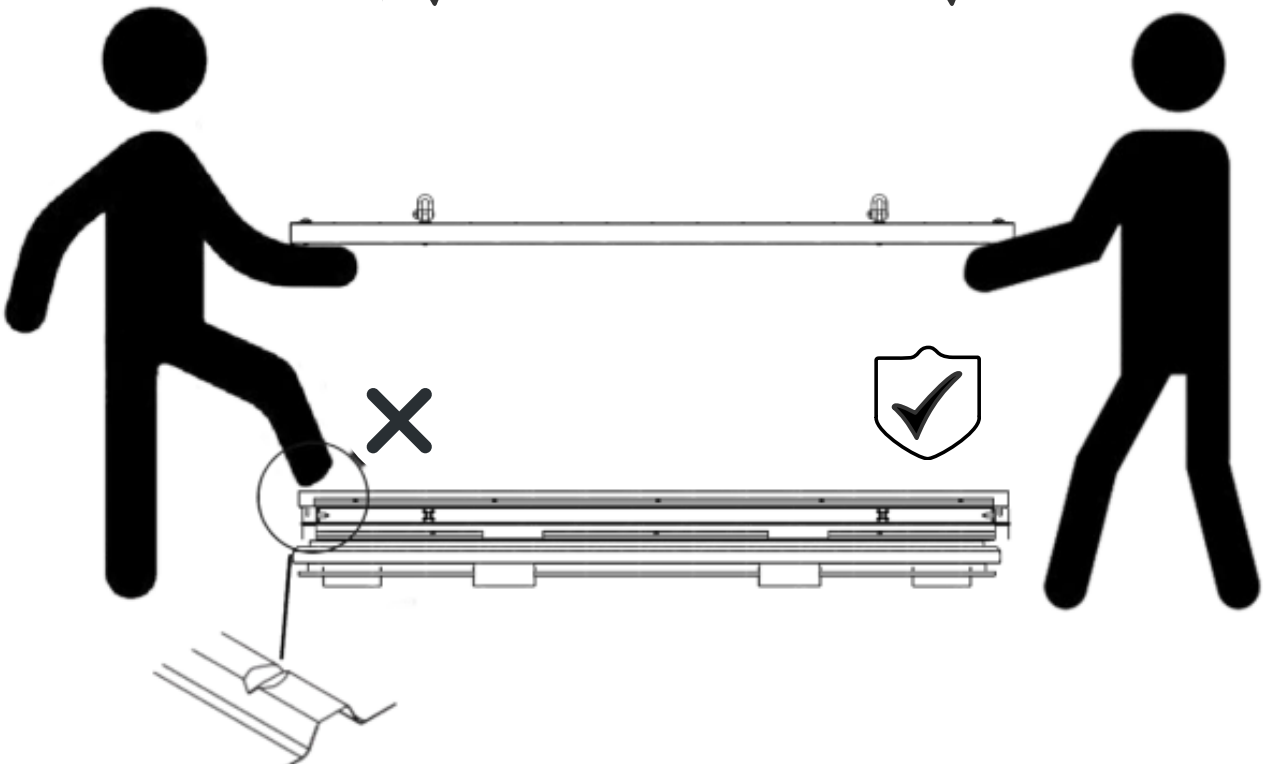
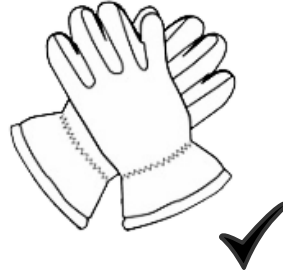
2x



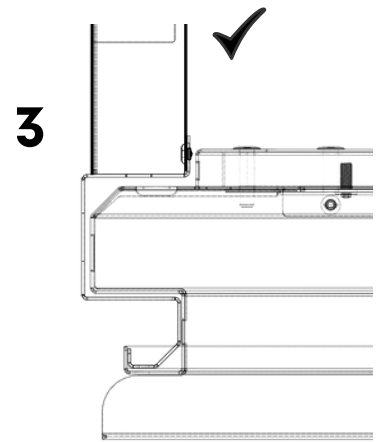
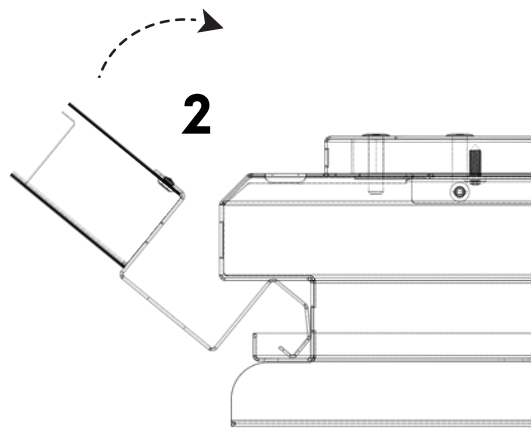
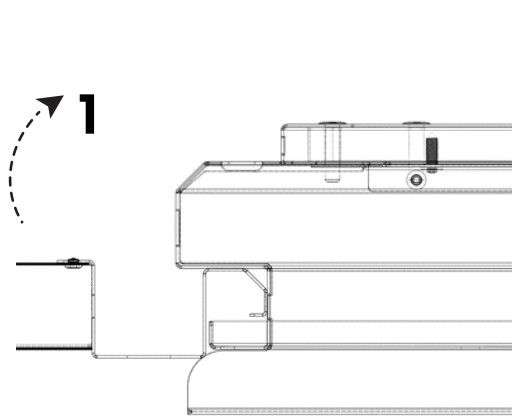
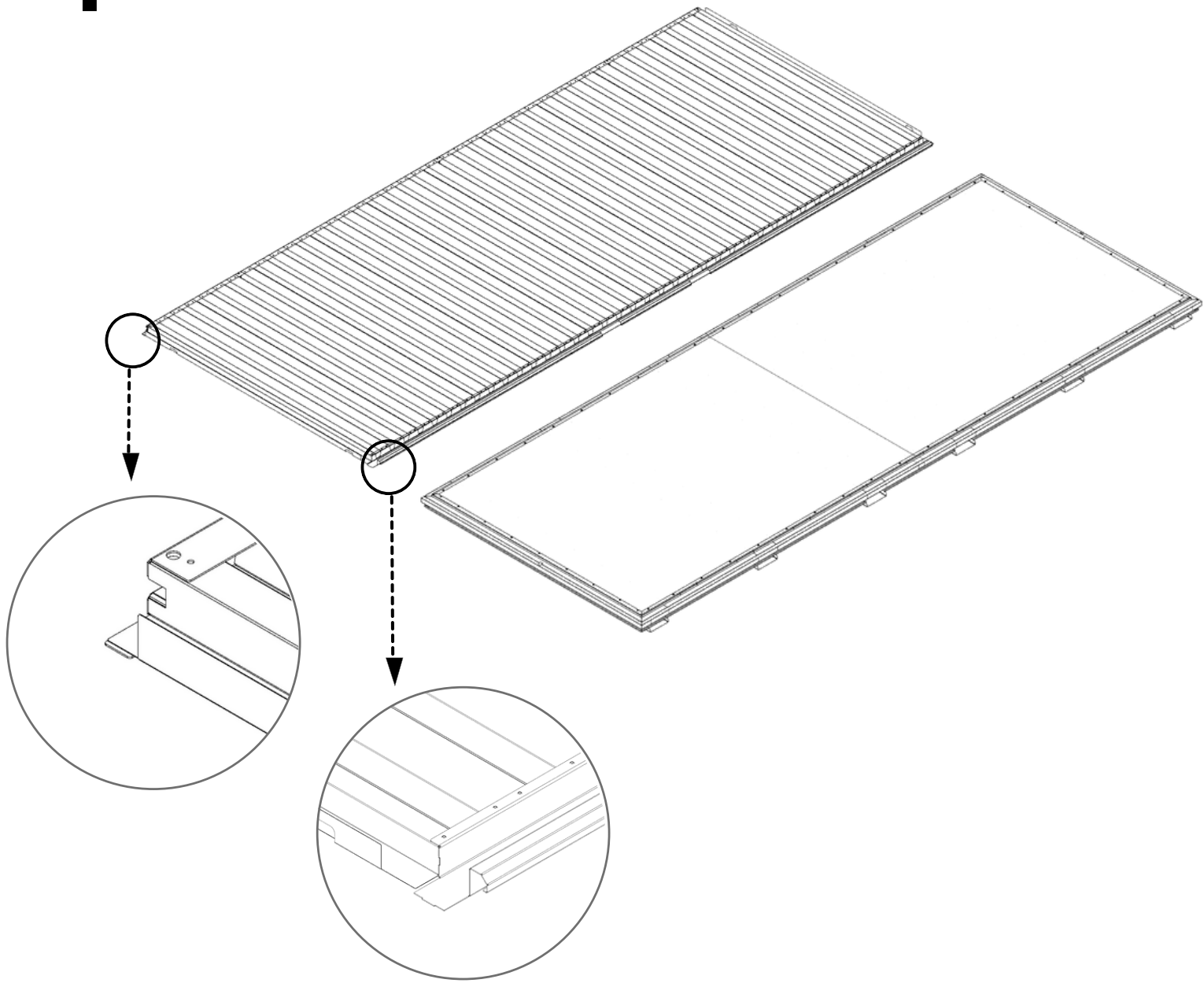
1x



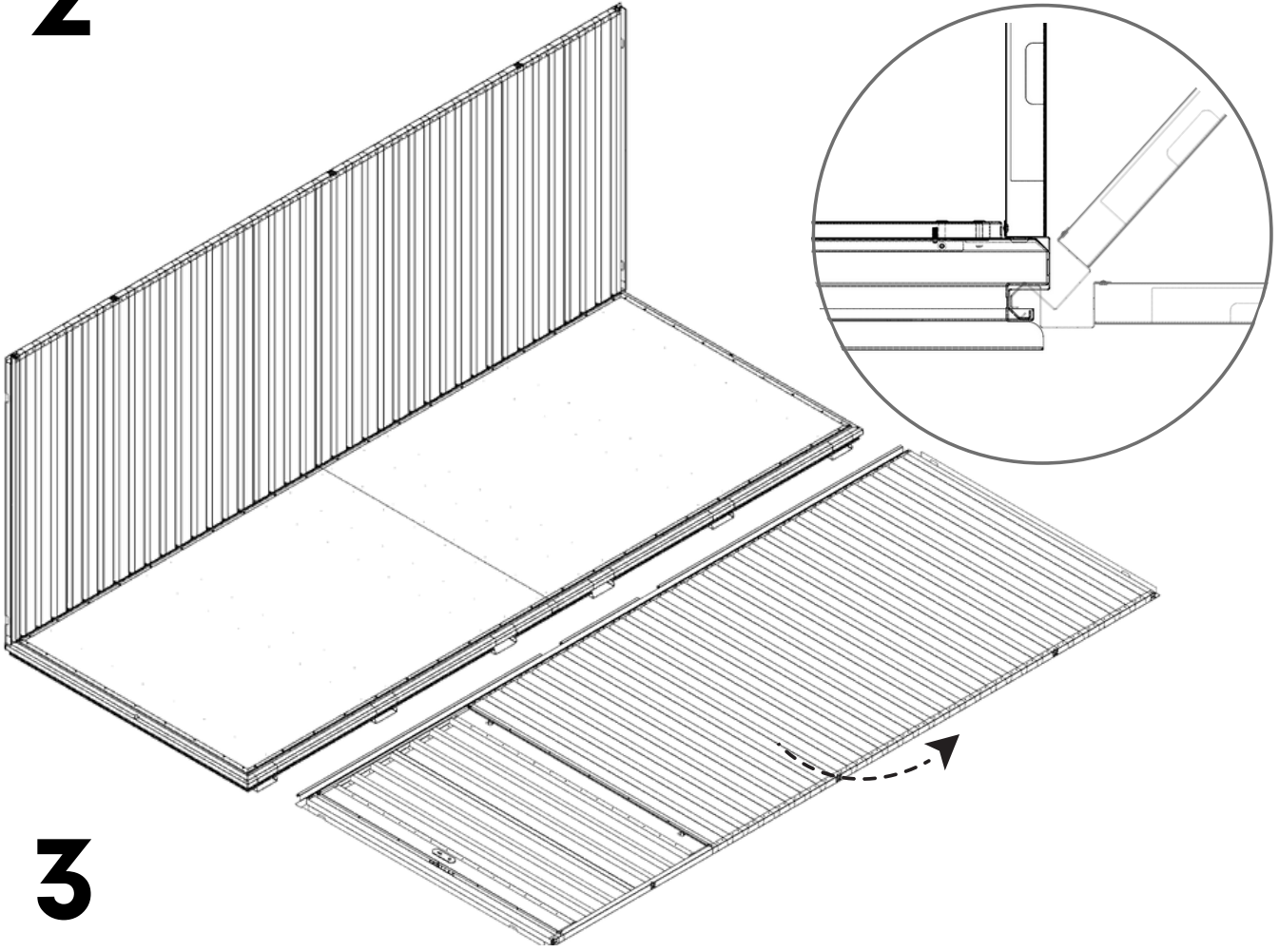
2x



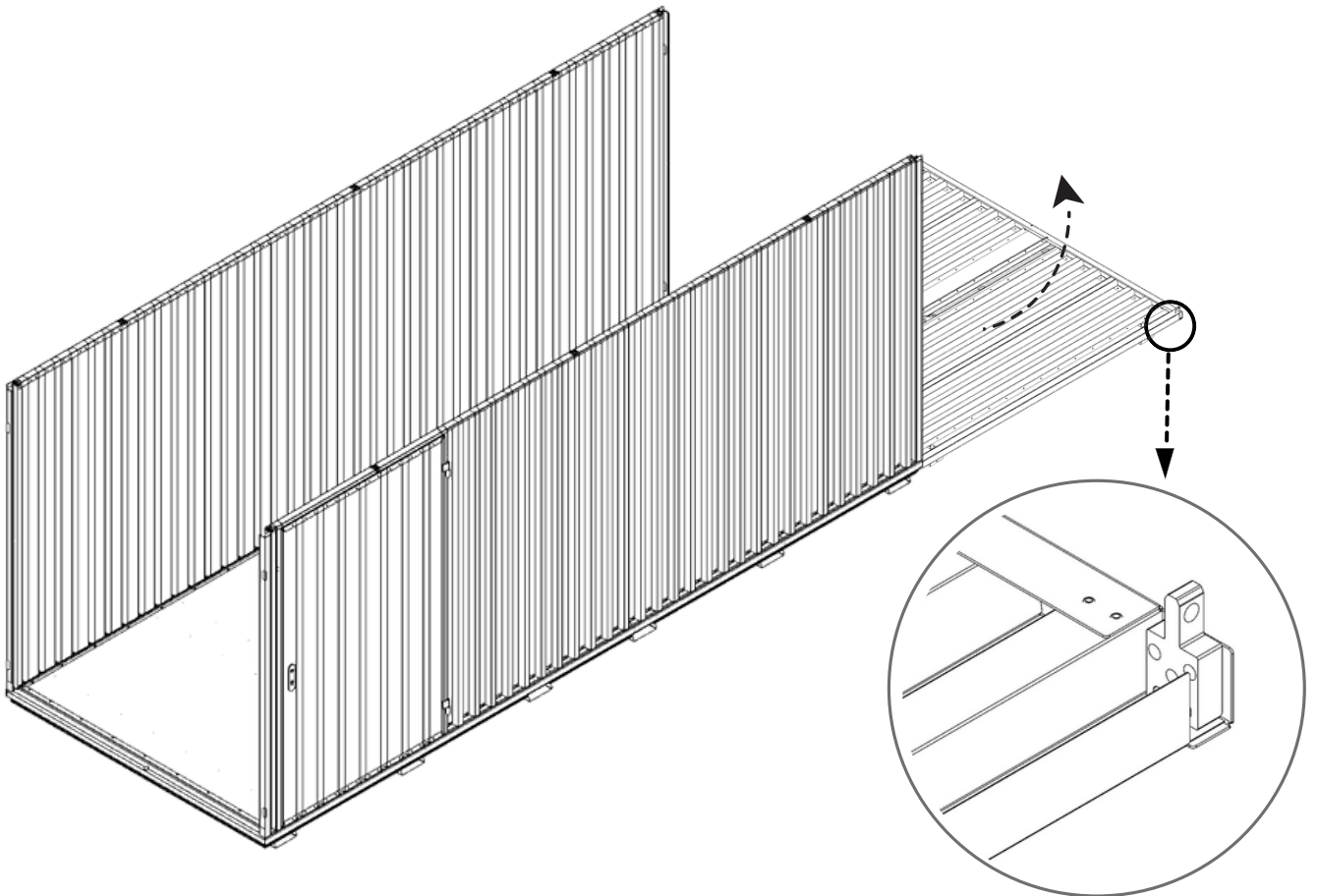
# 1



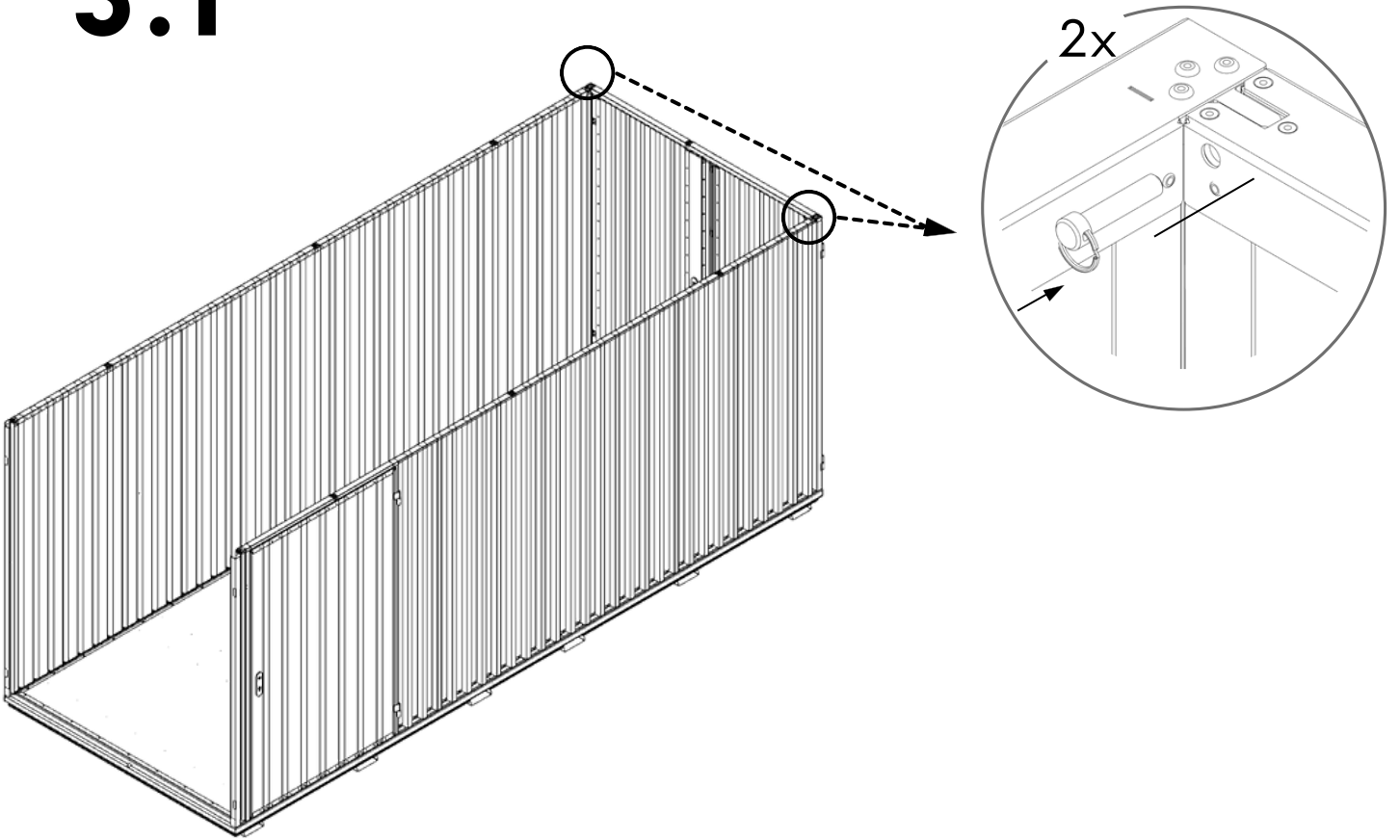
**2**



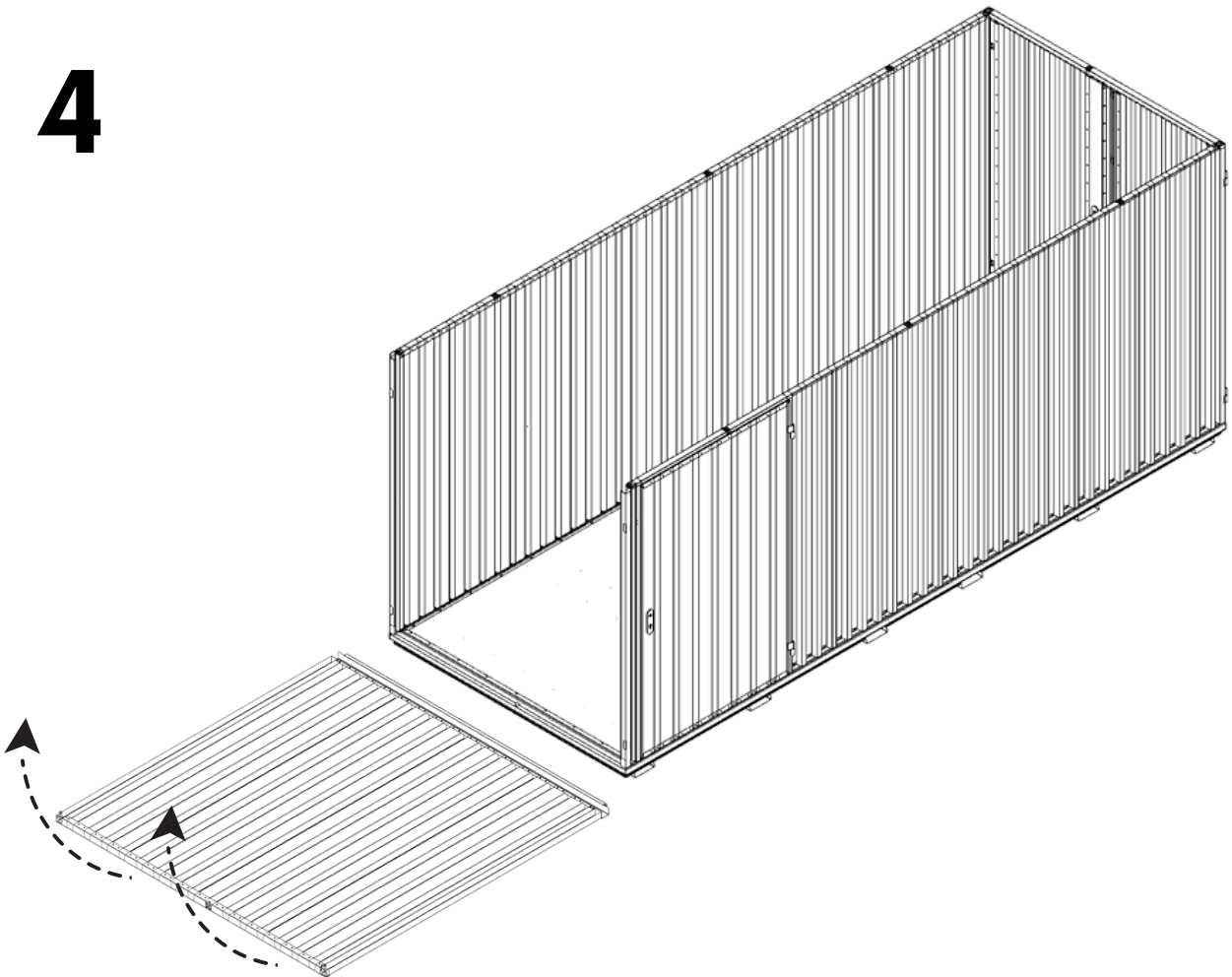
**3**



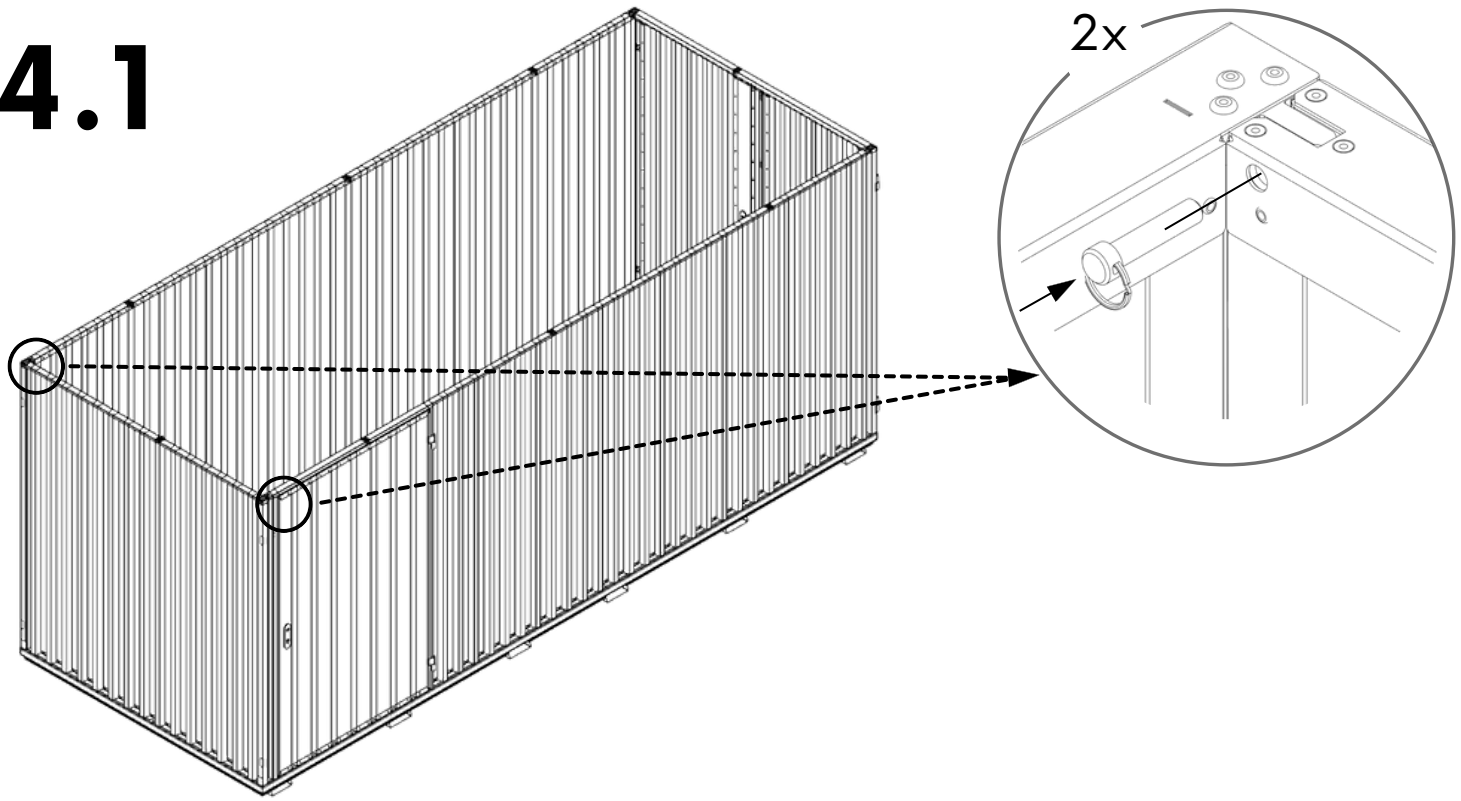
# 3.1












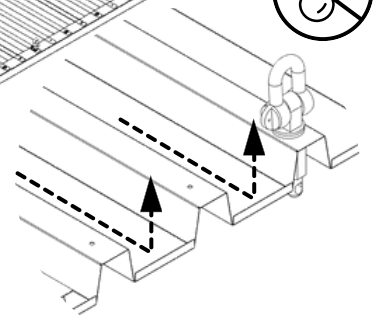
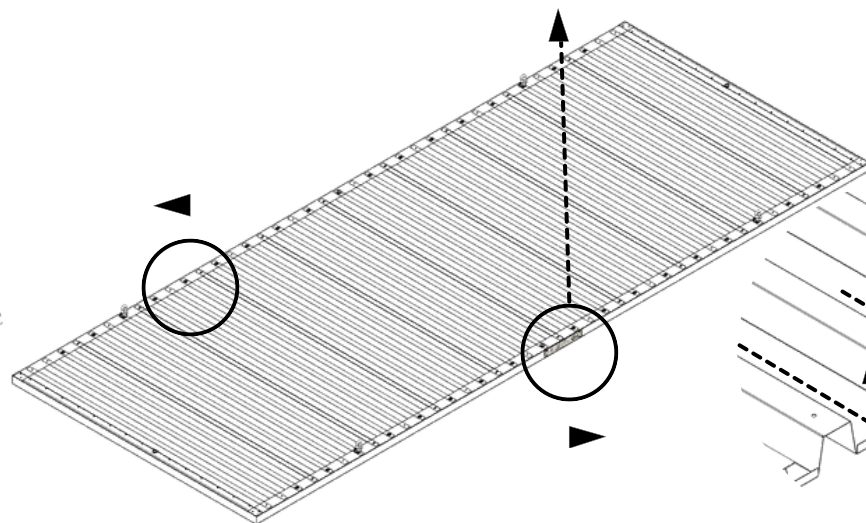
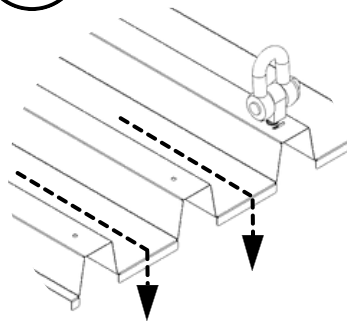
# 4



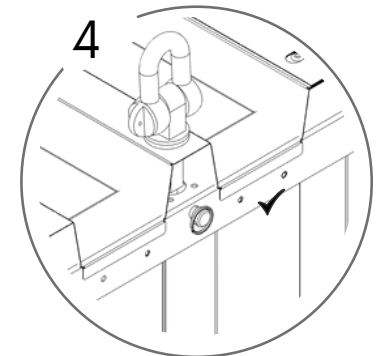
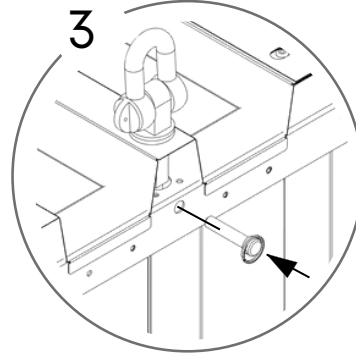
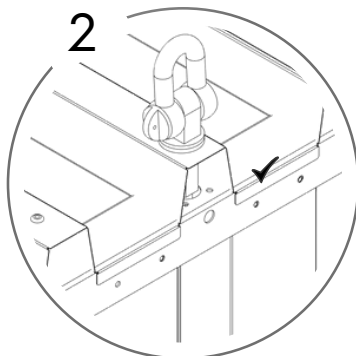
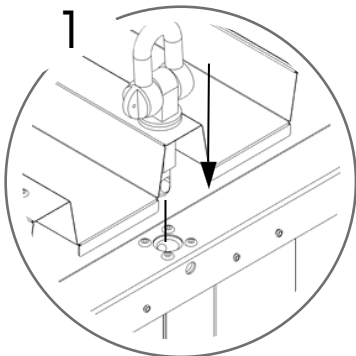
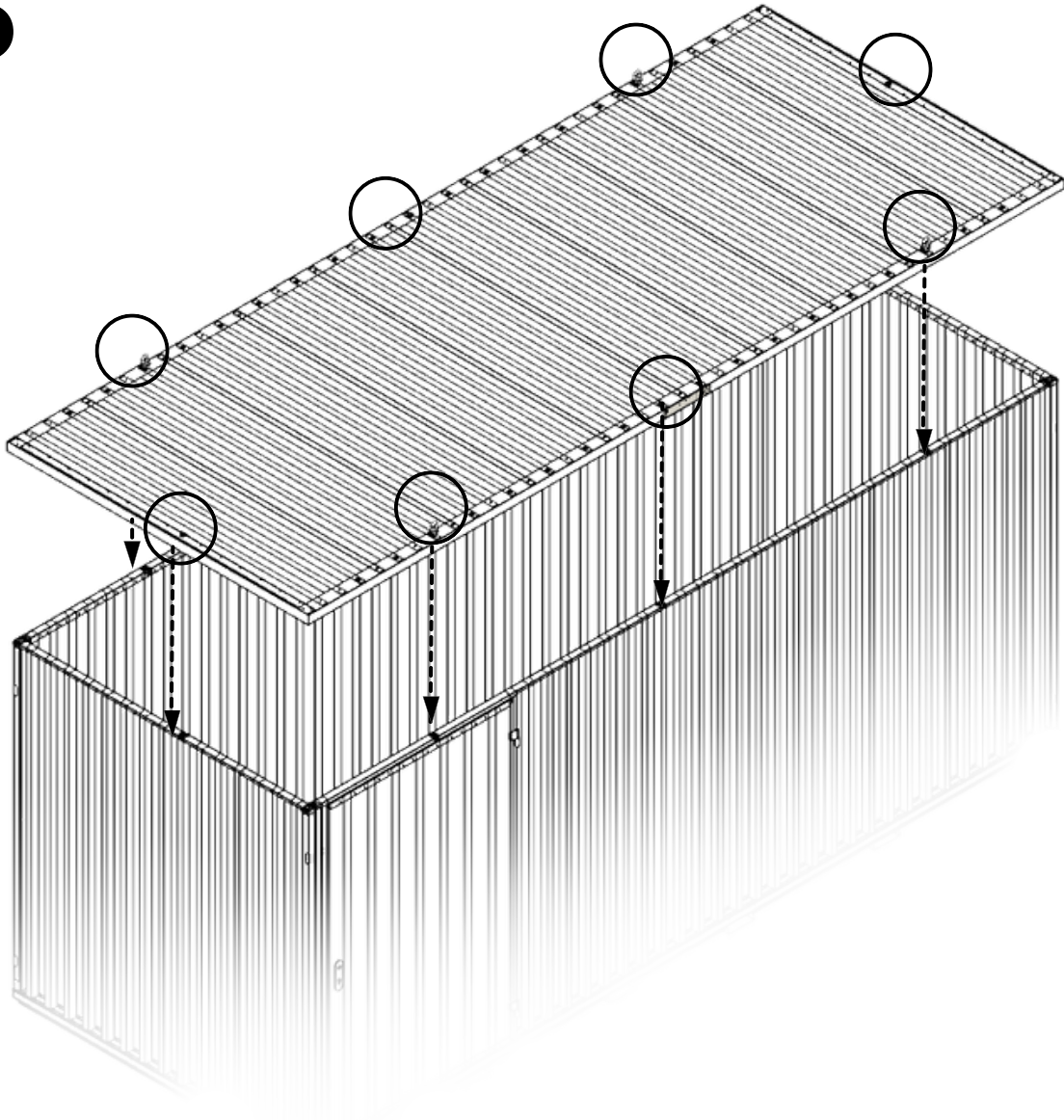
# 4.1



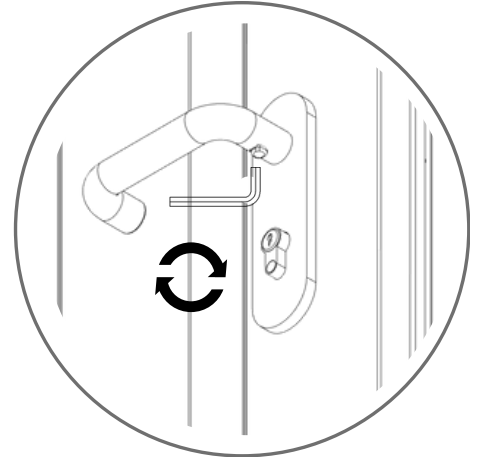
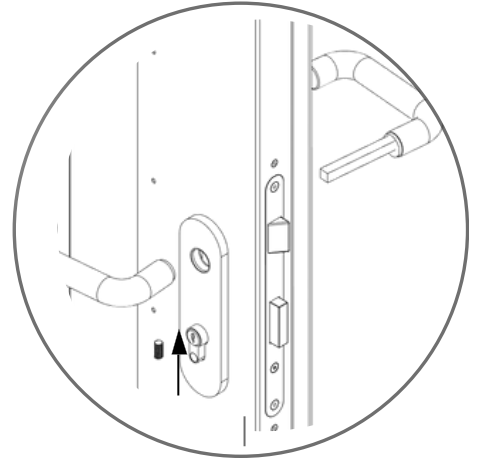
|   |  |  |   |   |
|---|--|--|---|---|
| <br>336 KG | <br>3 TON | <br>1640 MM | Model Code: 30.110.440<br>Production Tracking Code:<br>.....X09.1.30.440<br> 9001  14001  50001 |    |
|---|--|--|---|---|



# 5



6



7

