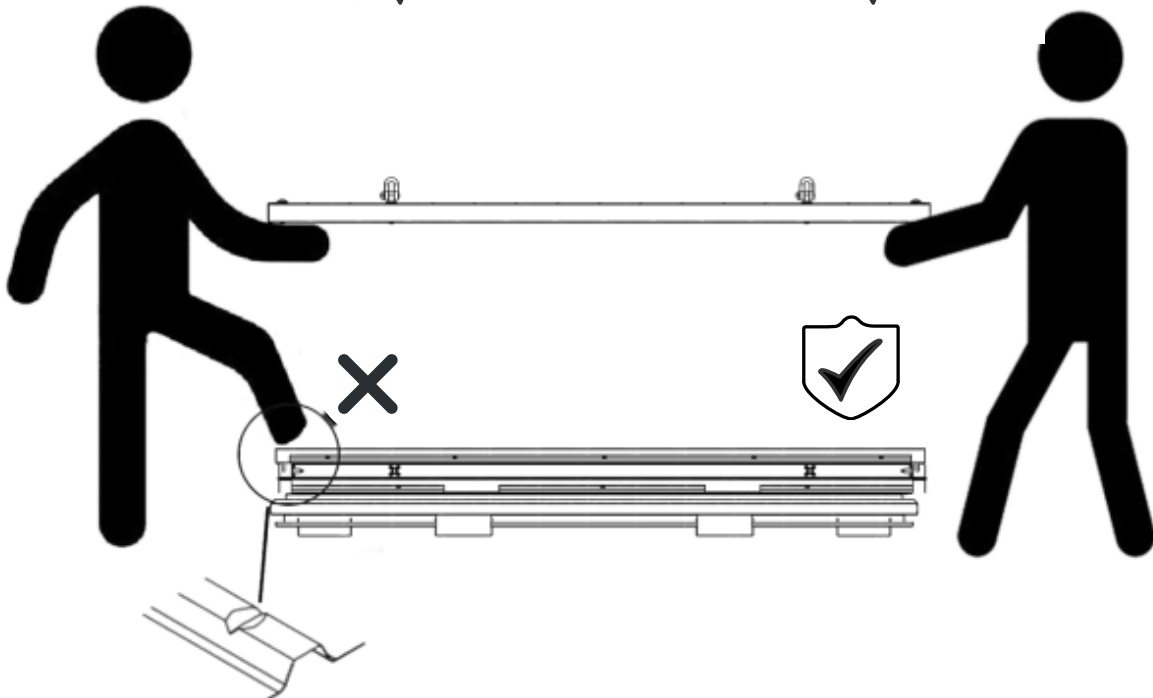
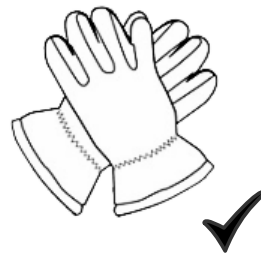
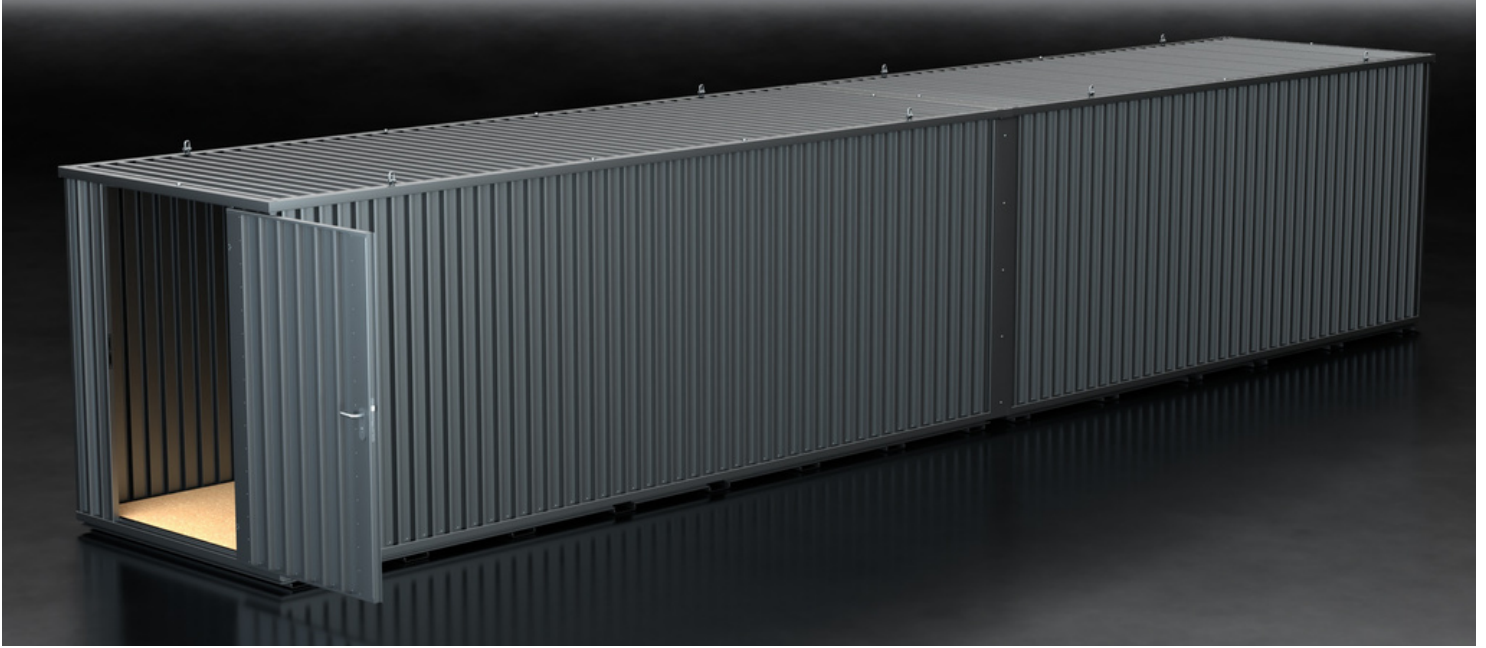


PRODUCT CODE:6050.110.320

prefabase
Quick Build Solutions

Instructions and User Guide



60.0110

1x

50.0110

1x

60.0510

1x

50.0510

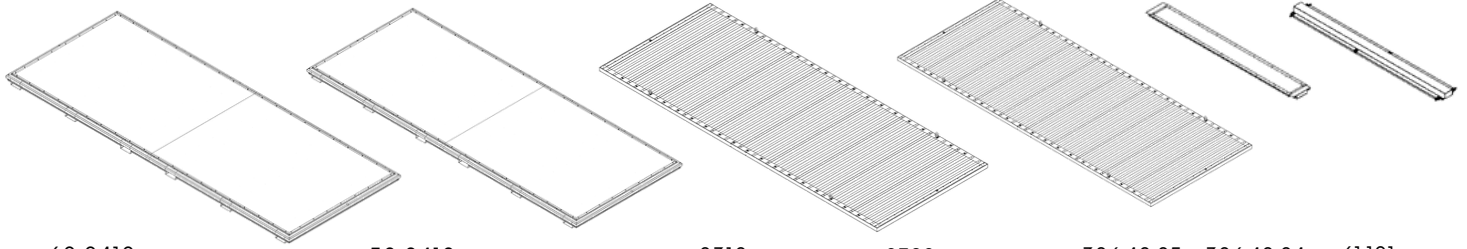
1x

306.0110

1x

306.0510

1x



60.0410

2x

50.0410

2x

0310

1x

0320

1x

306.40.05

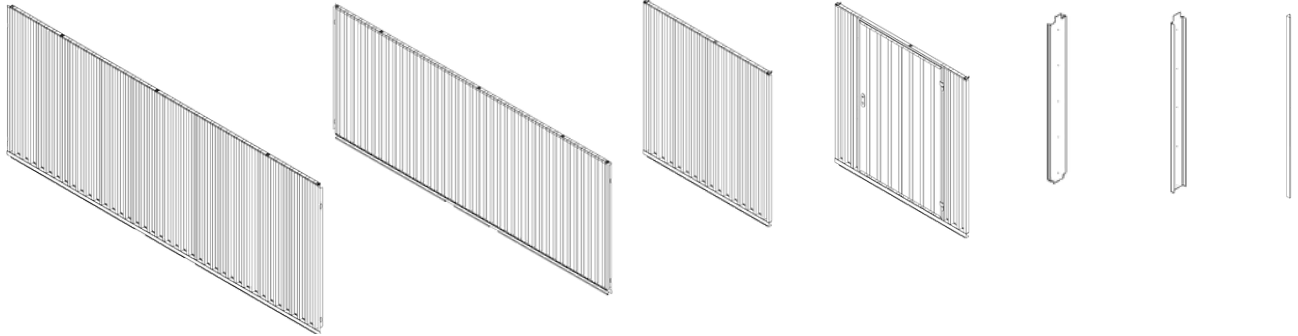
2x

306.40.04

2x

61.101

4x



26x

1x

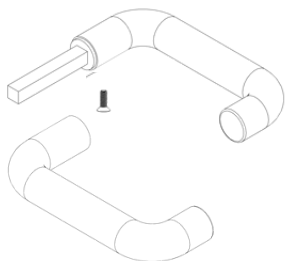
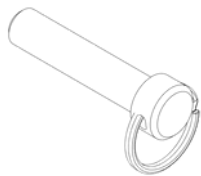
10x

10x

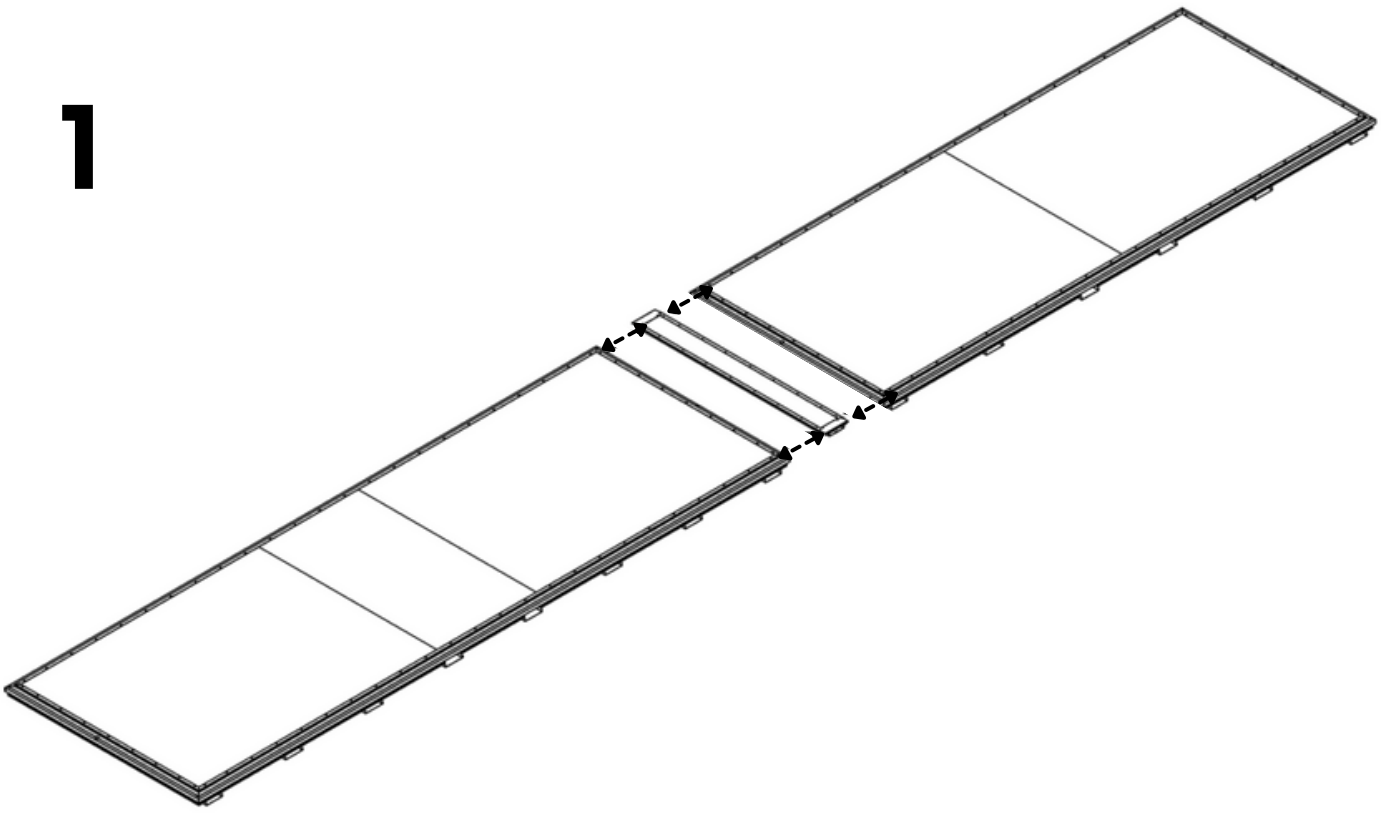
10x

1x

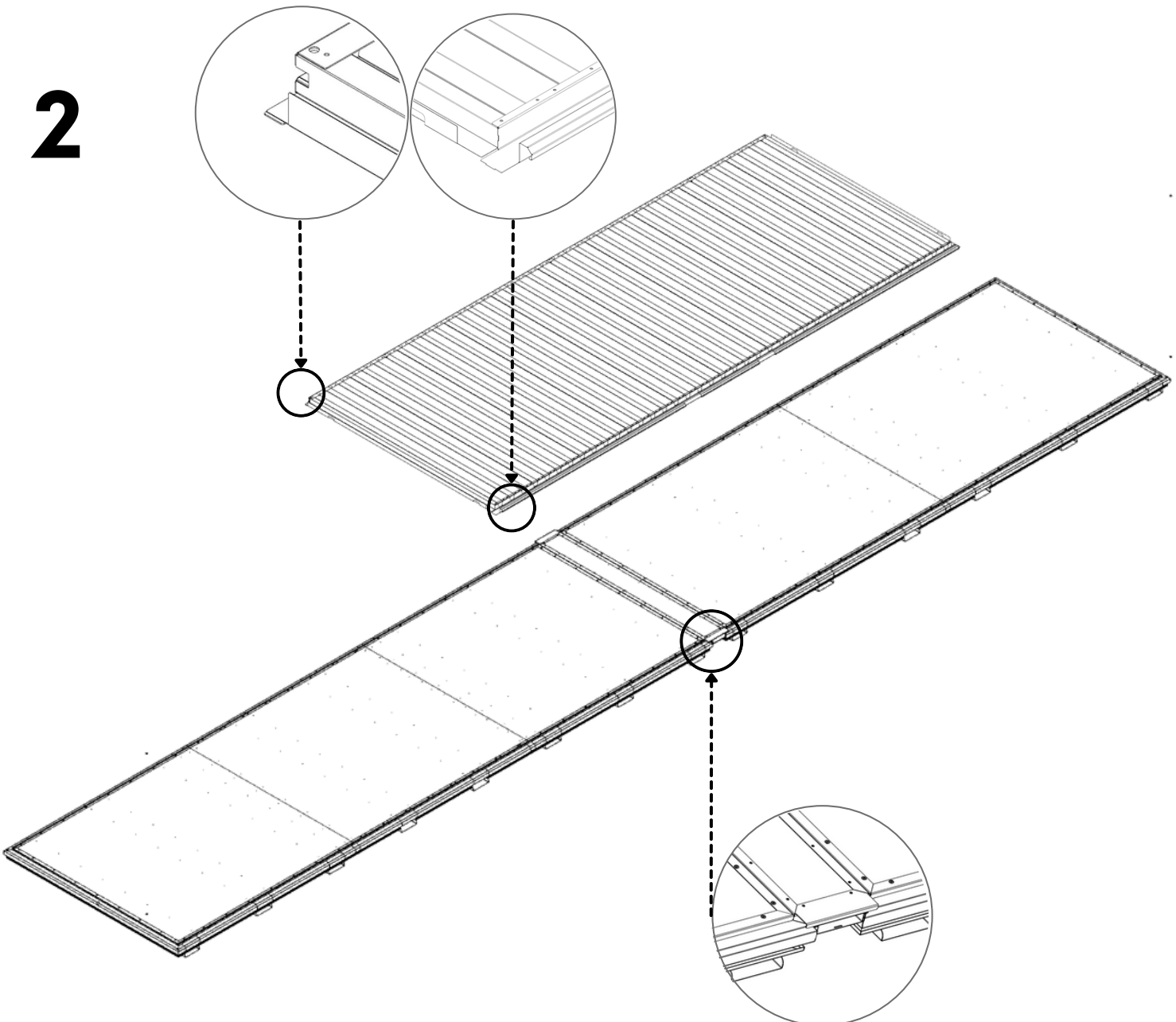
1x

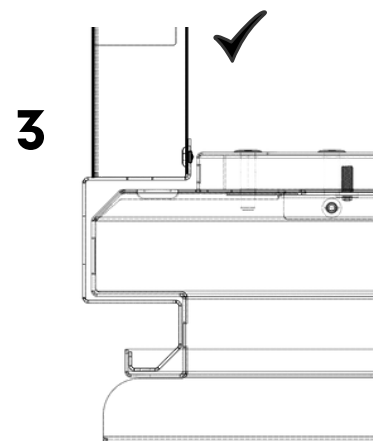
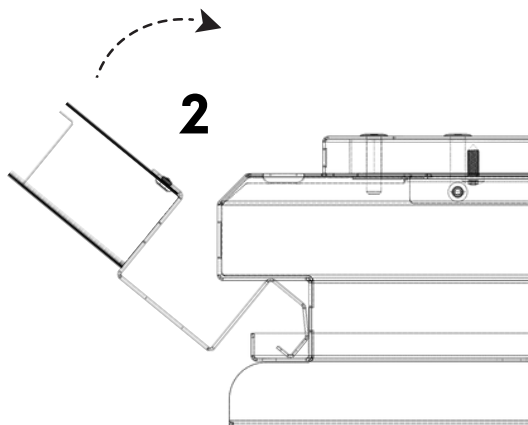
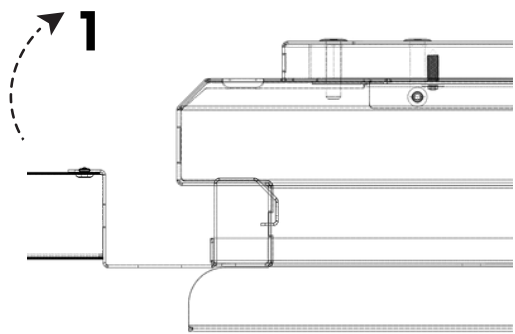


1

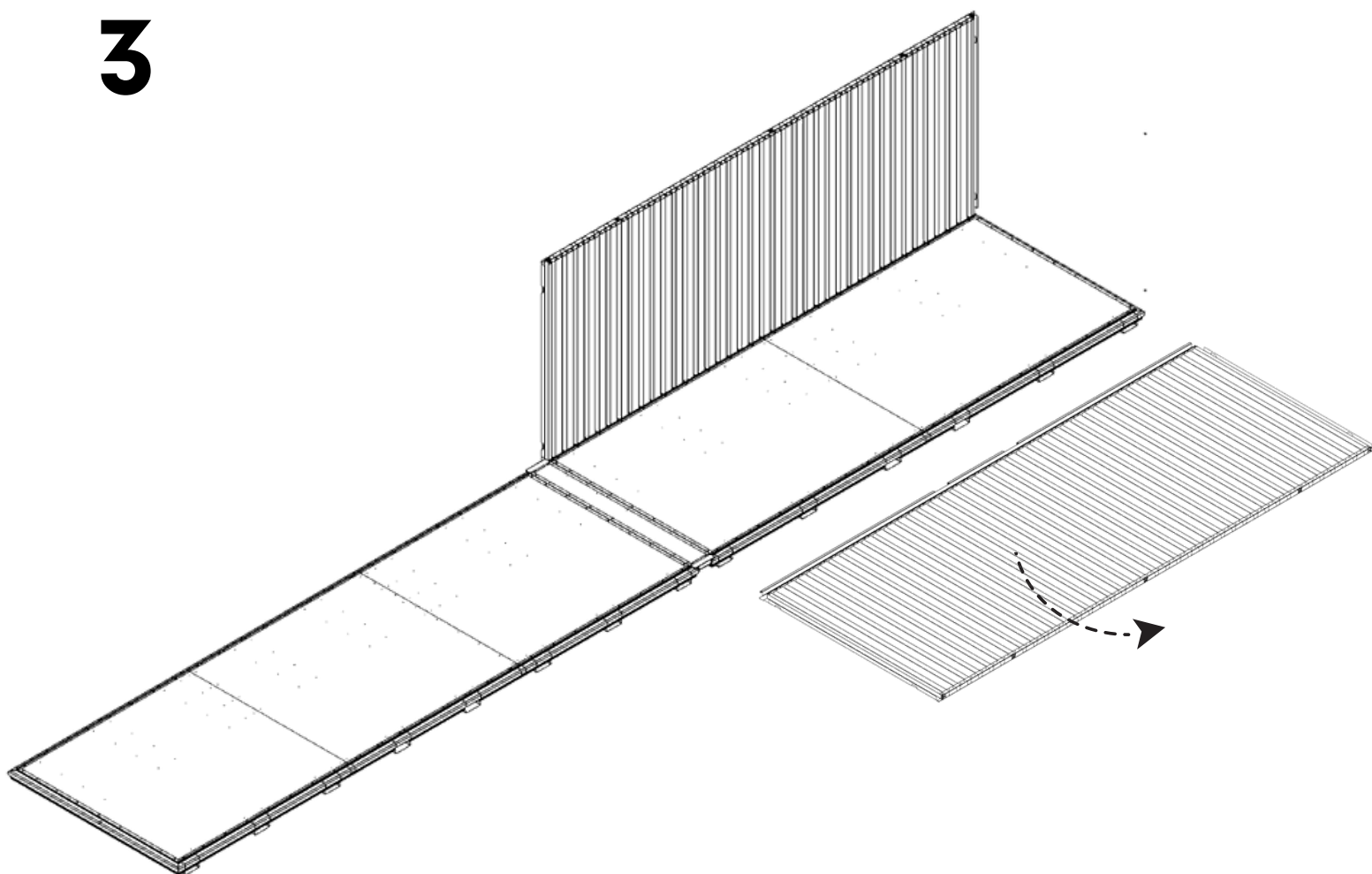


2

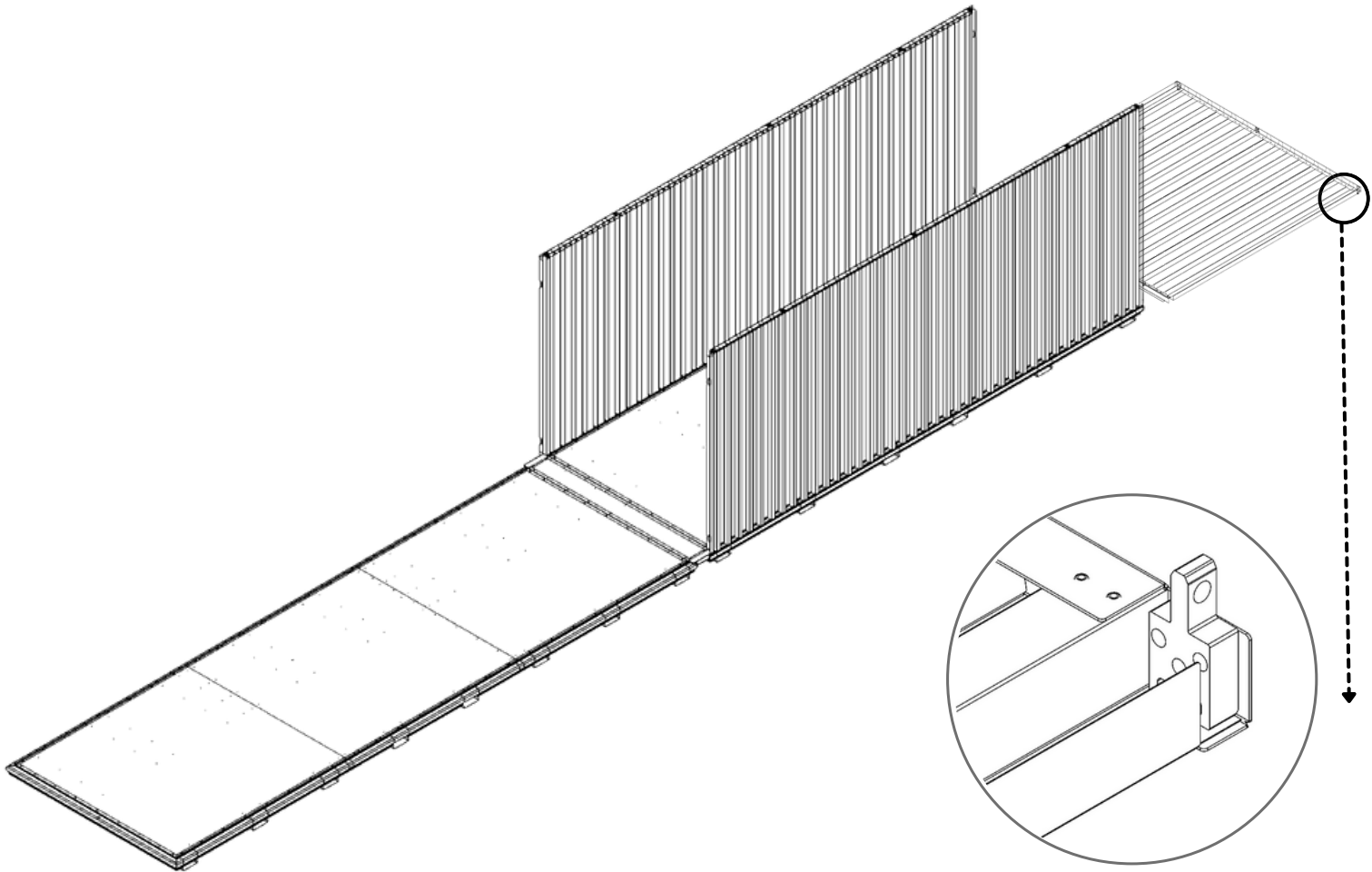




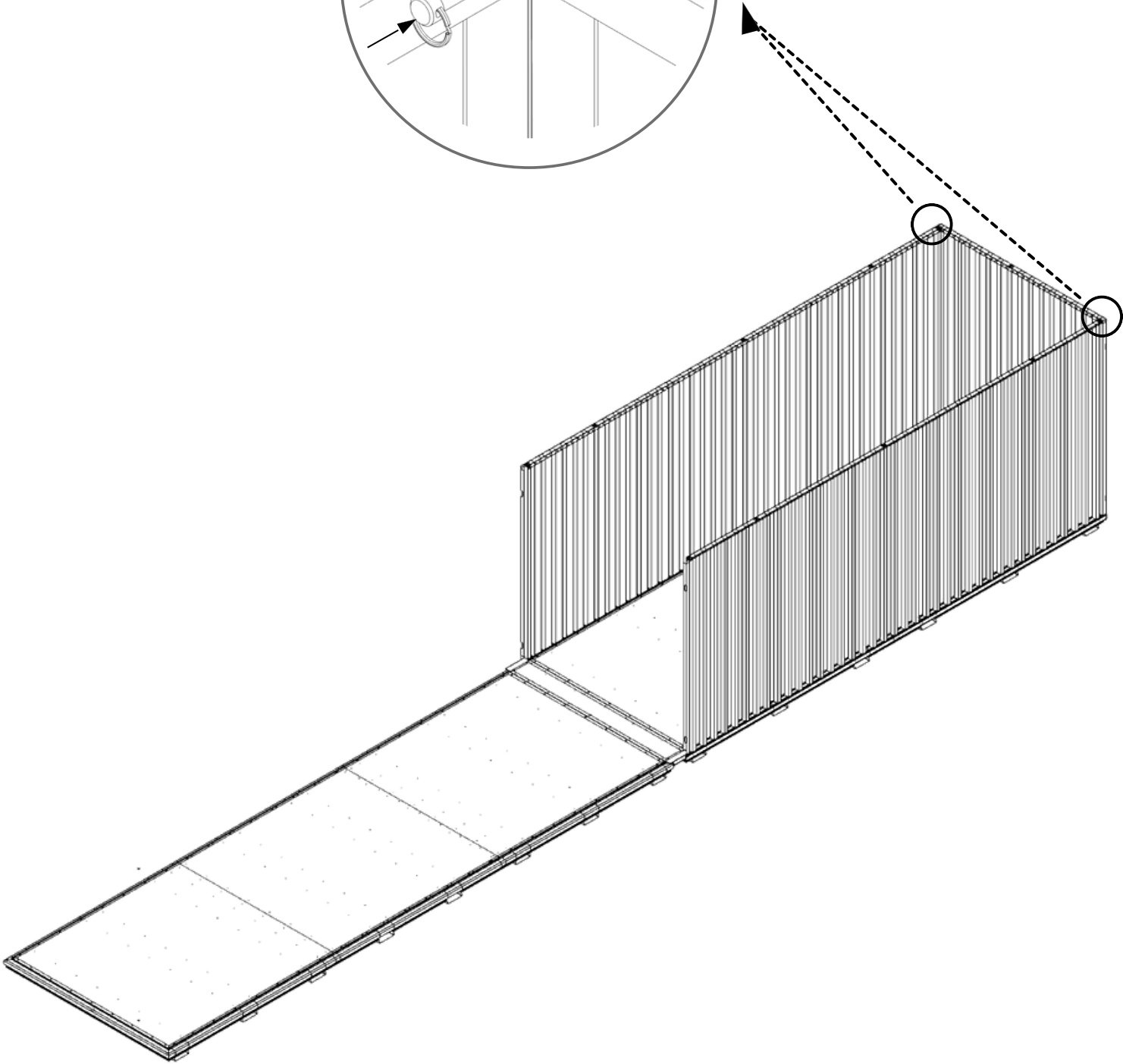
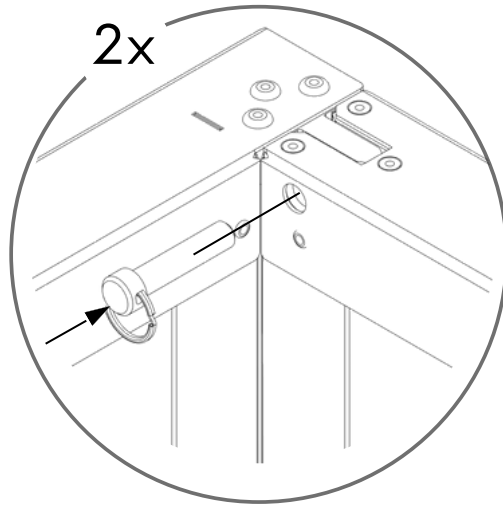
3



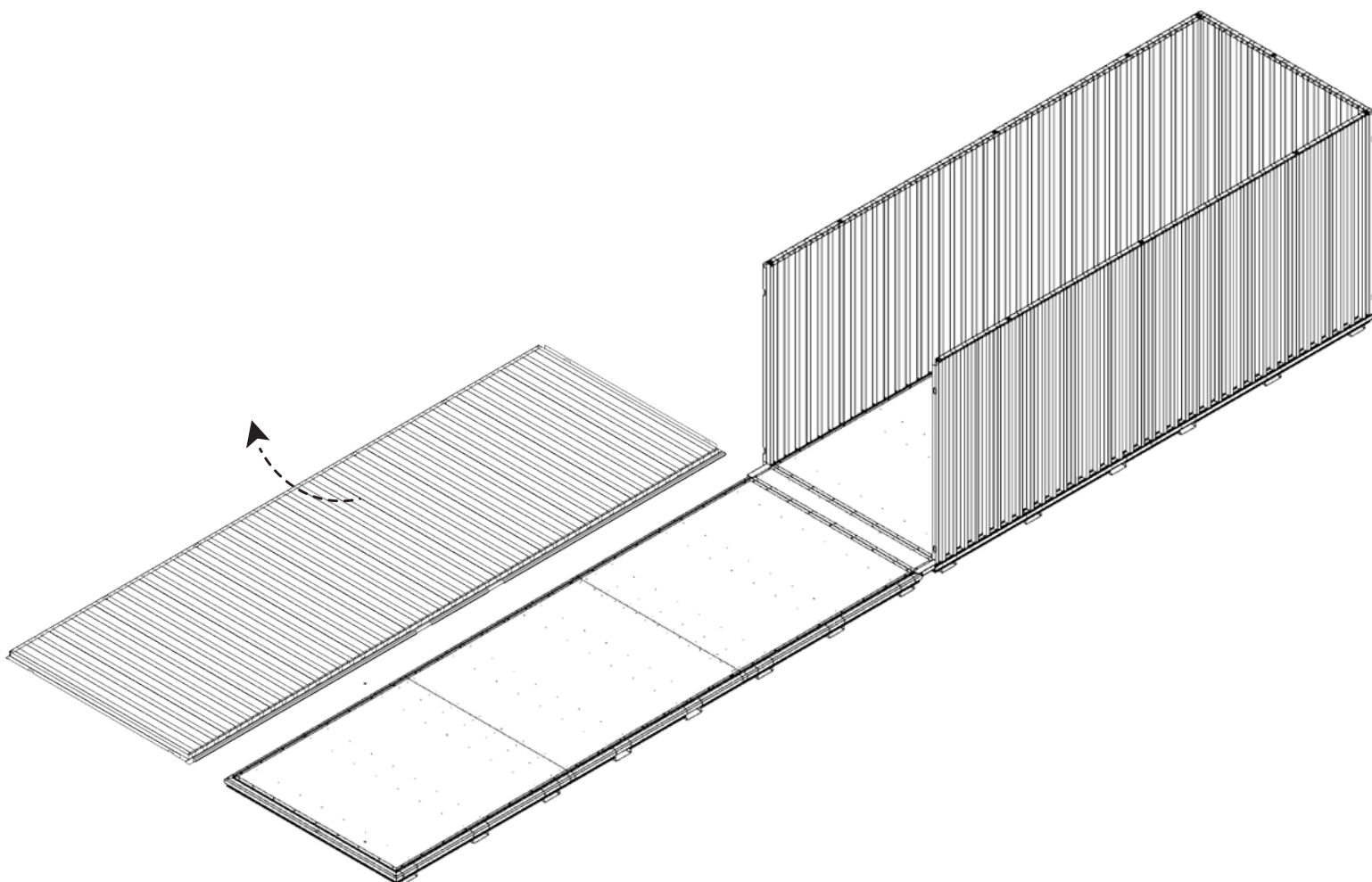
4



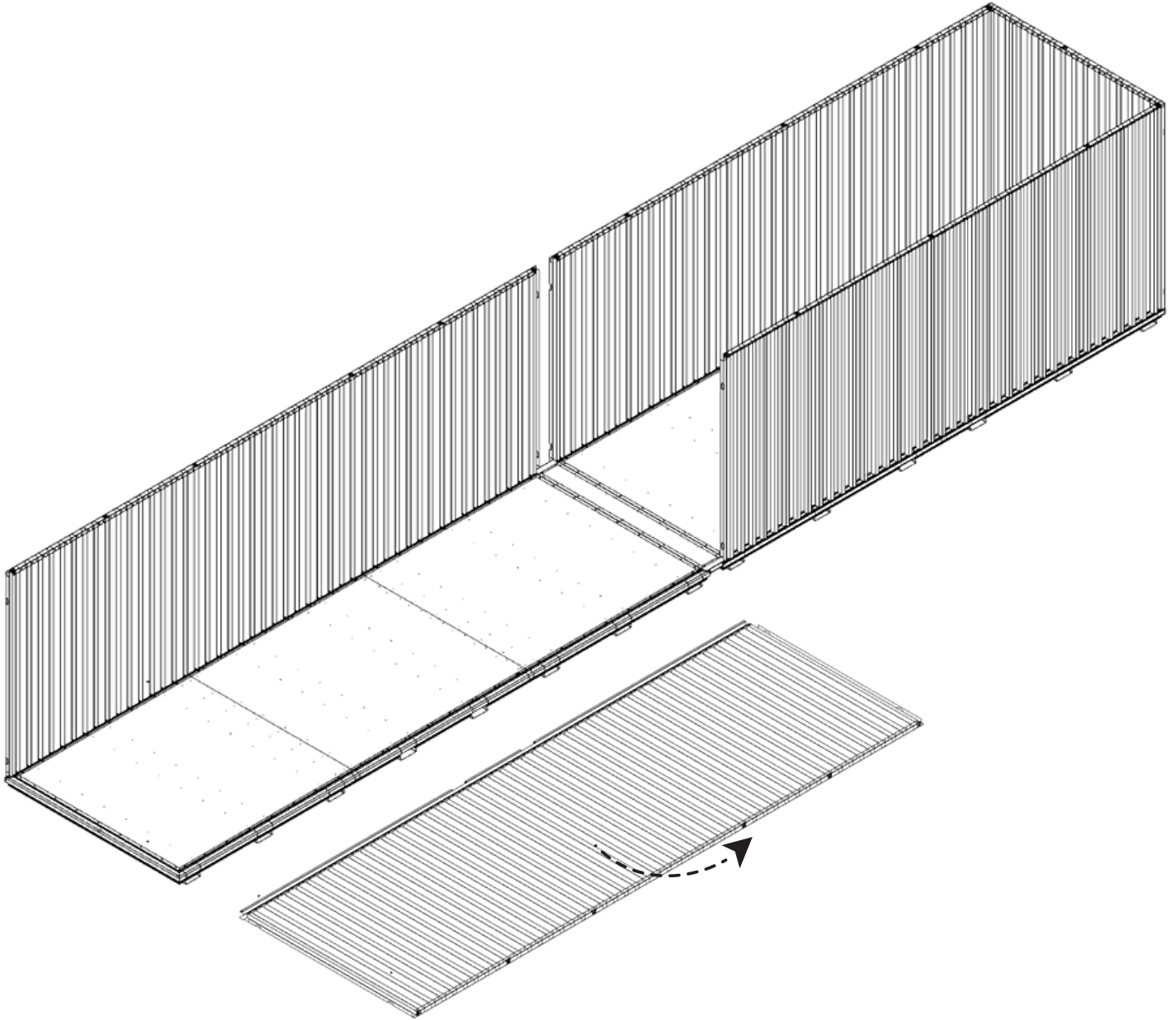
4.1



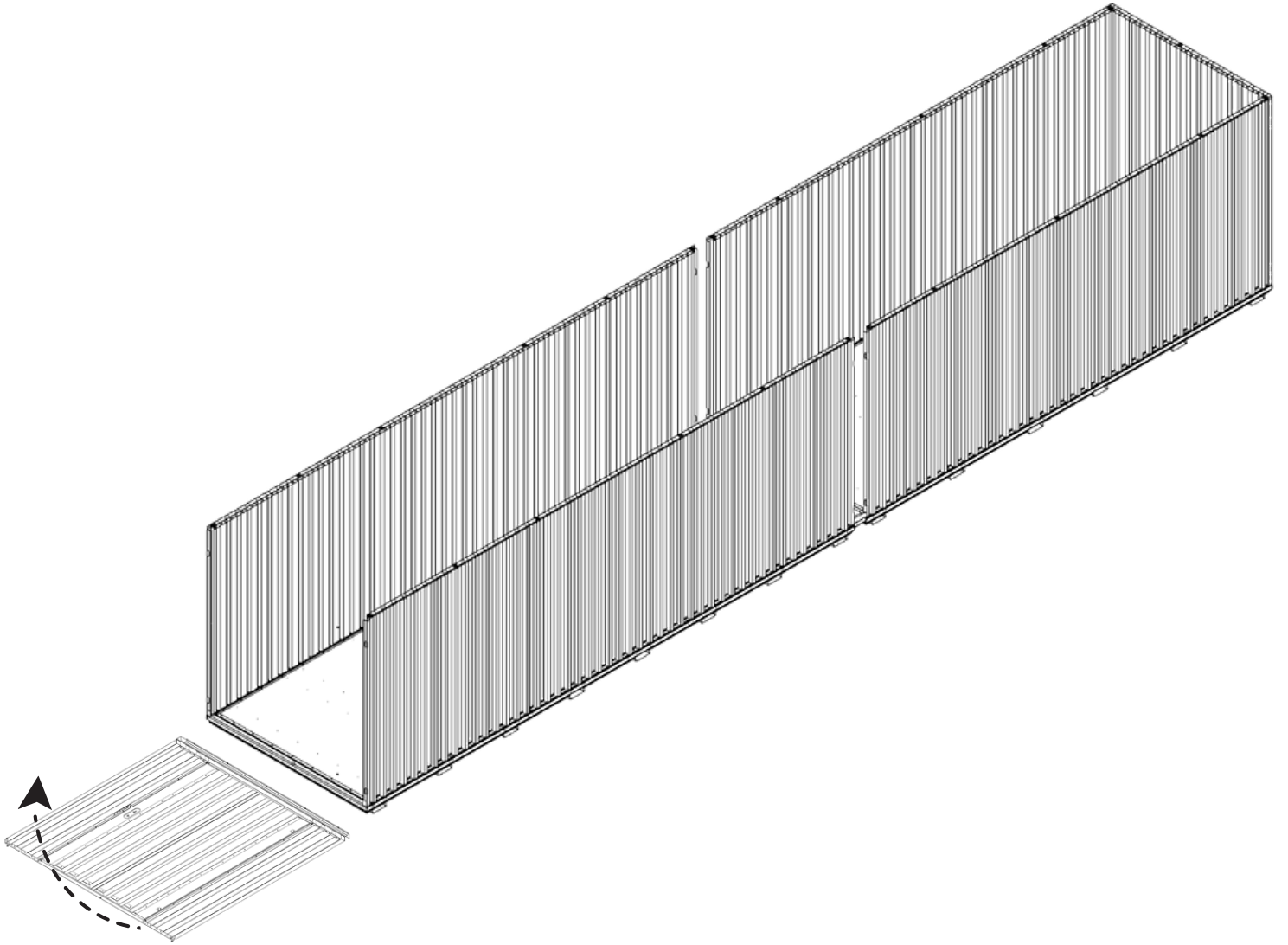
5



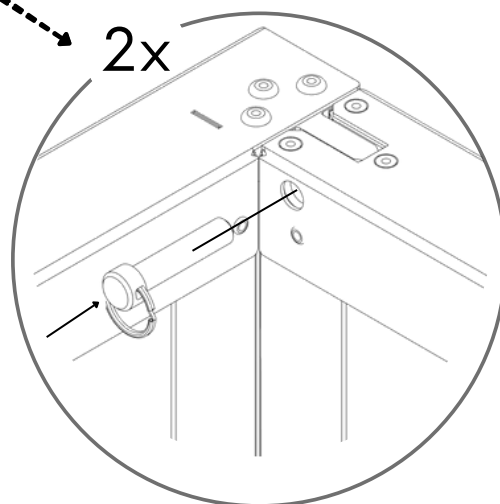
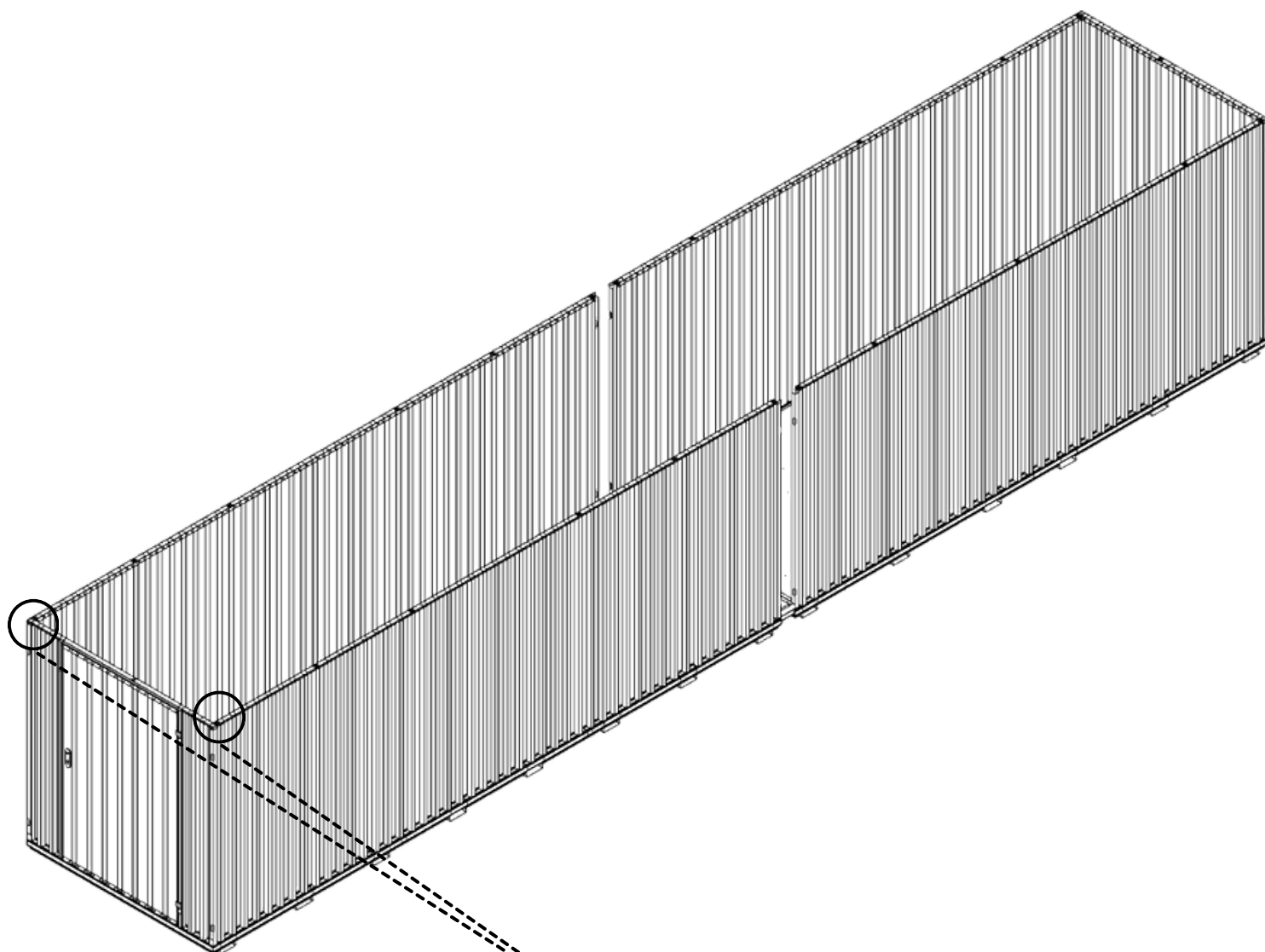
6



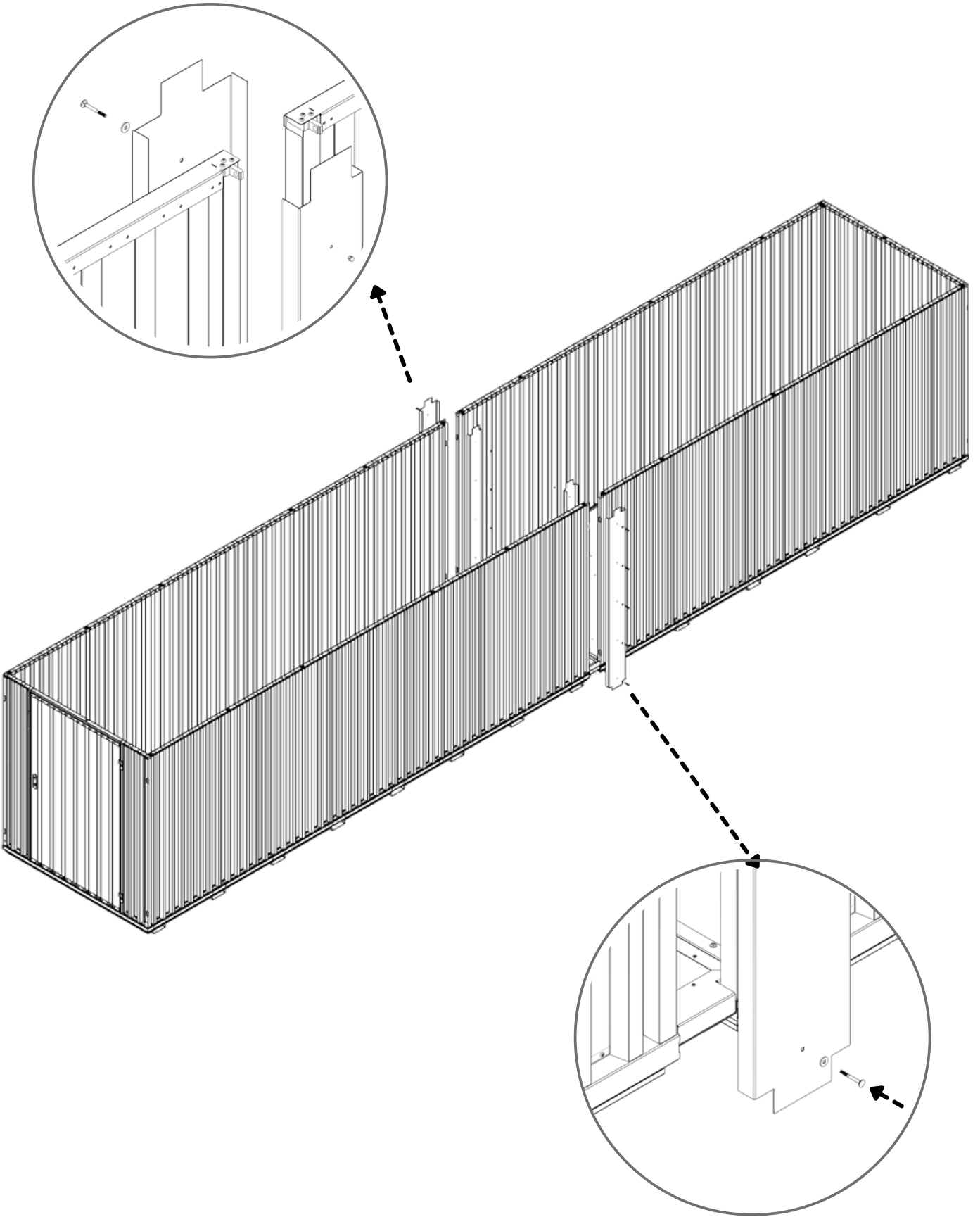
7



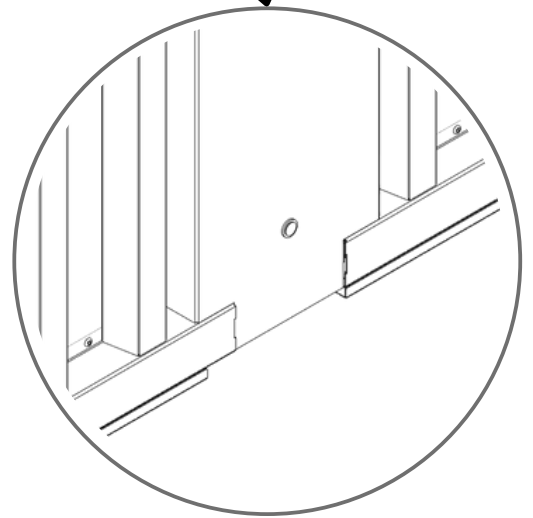
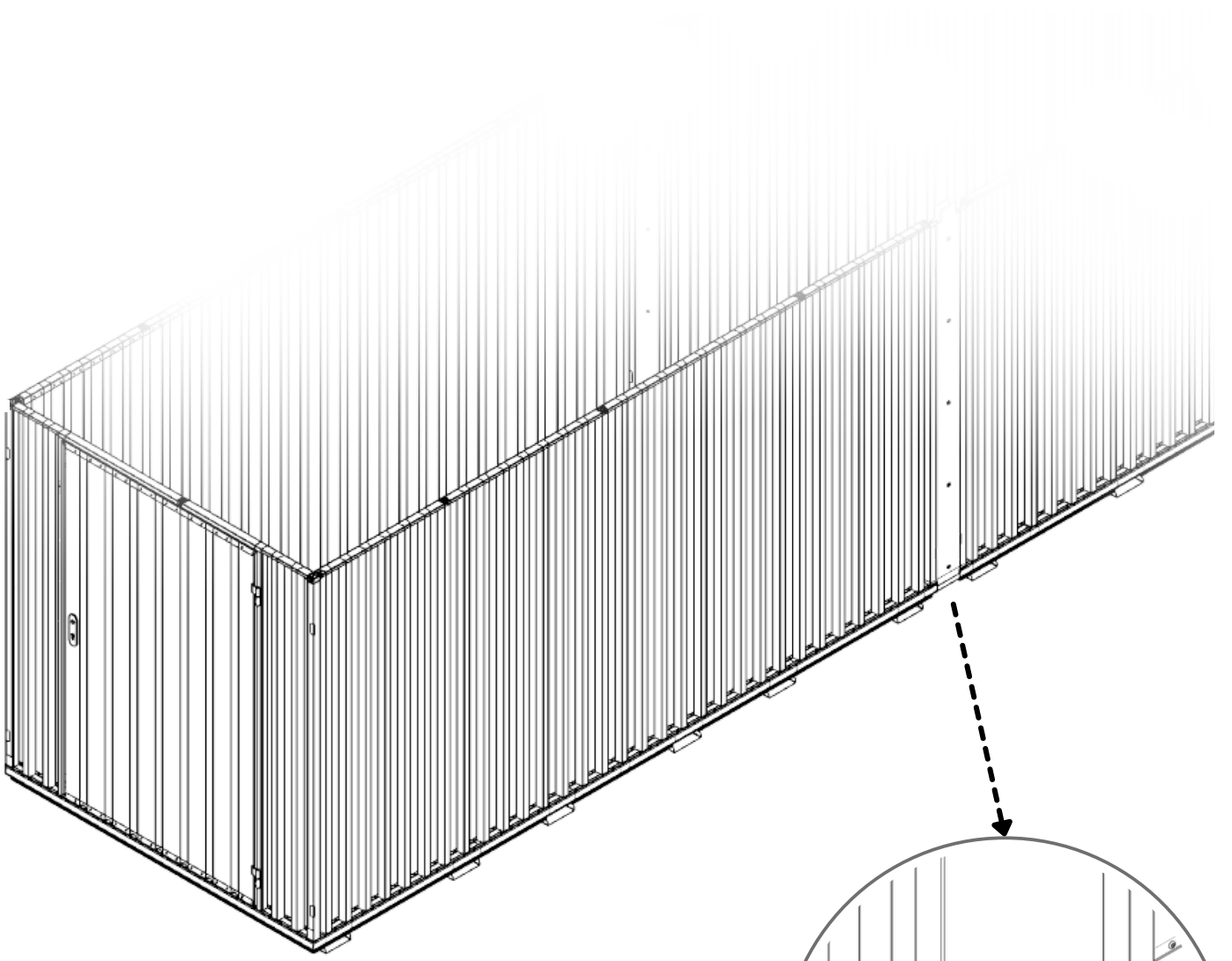
7.1



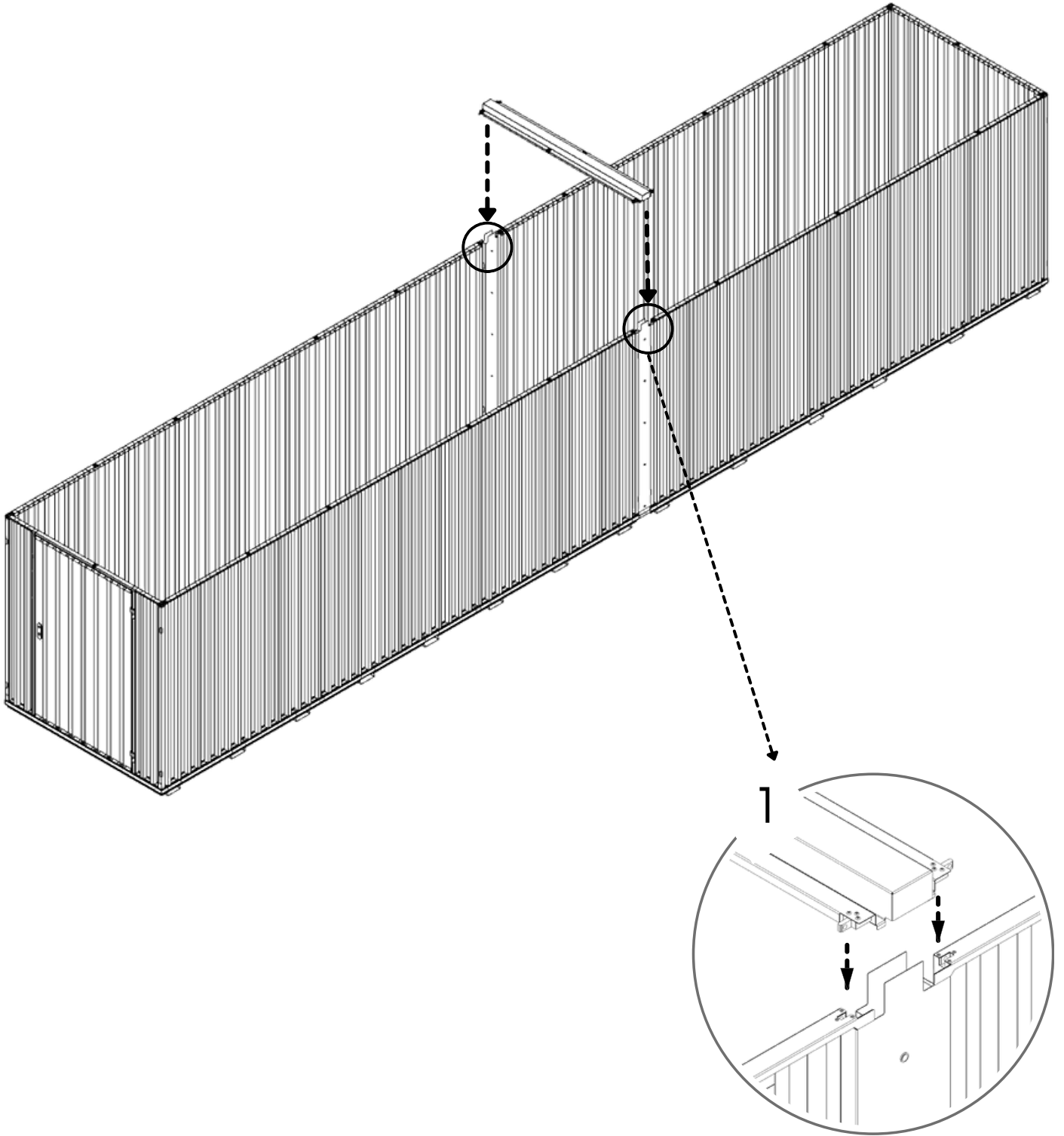
8



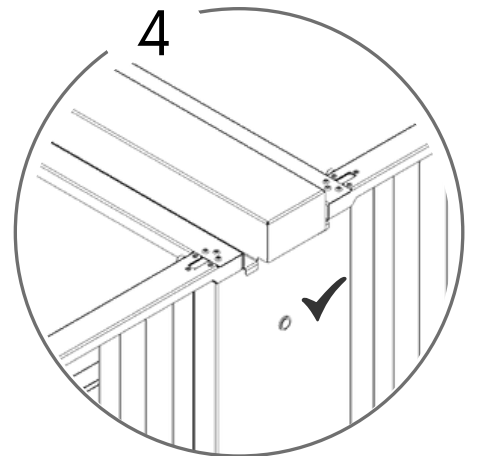
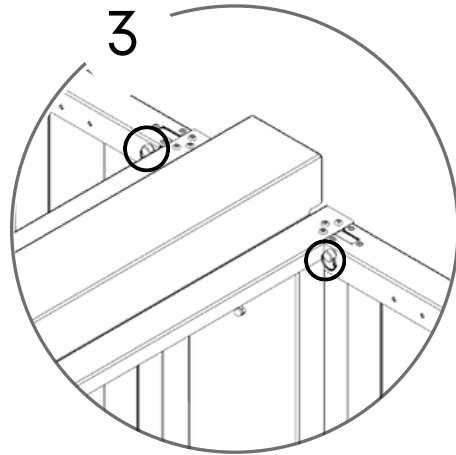
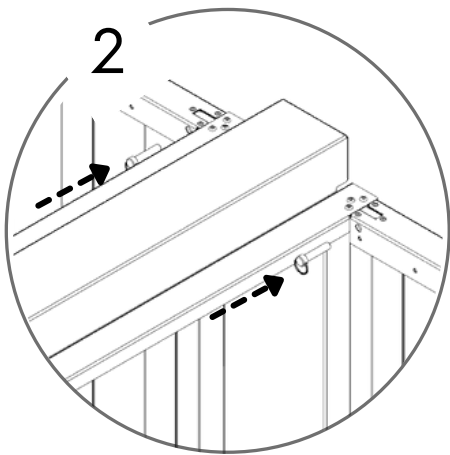
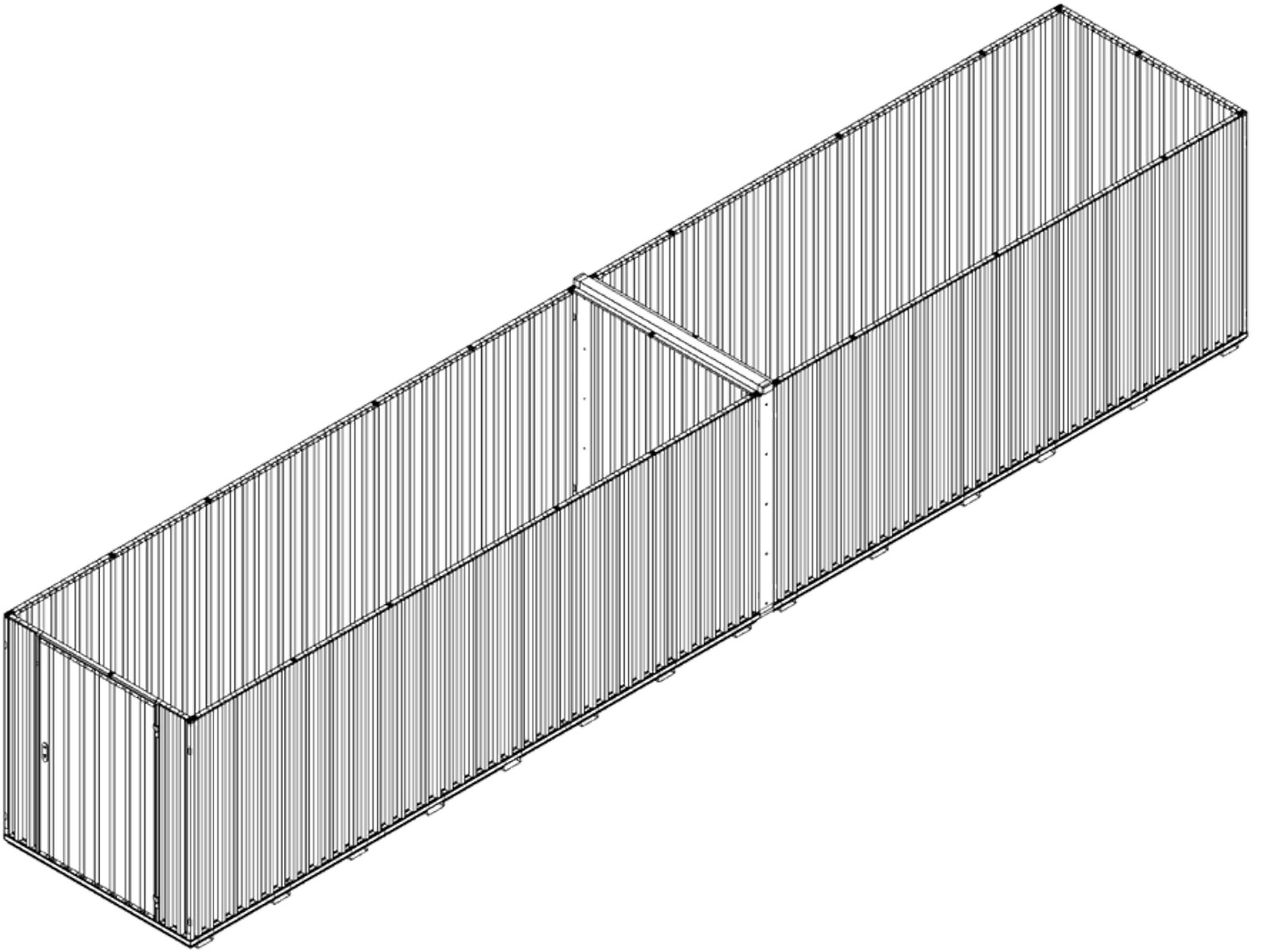
9











10

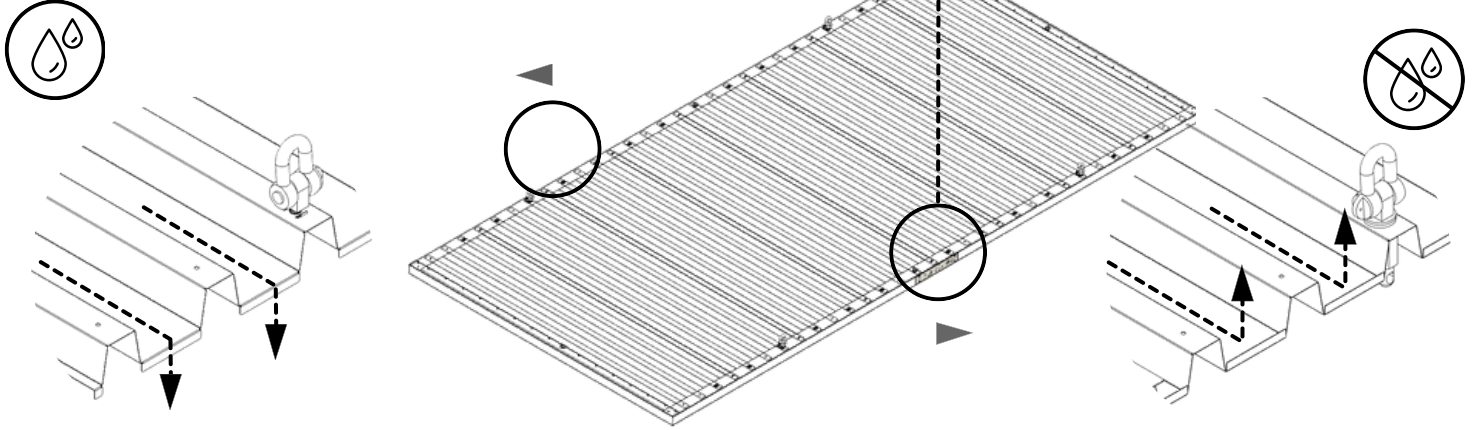


11

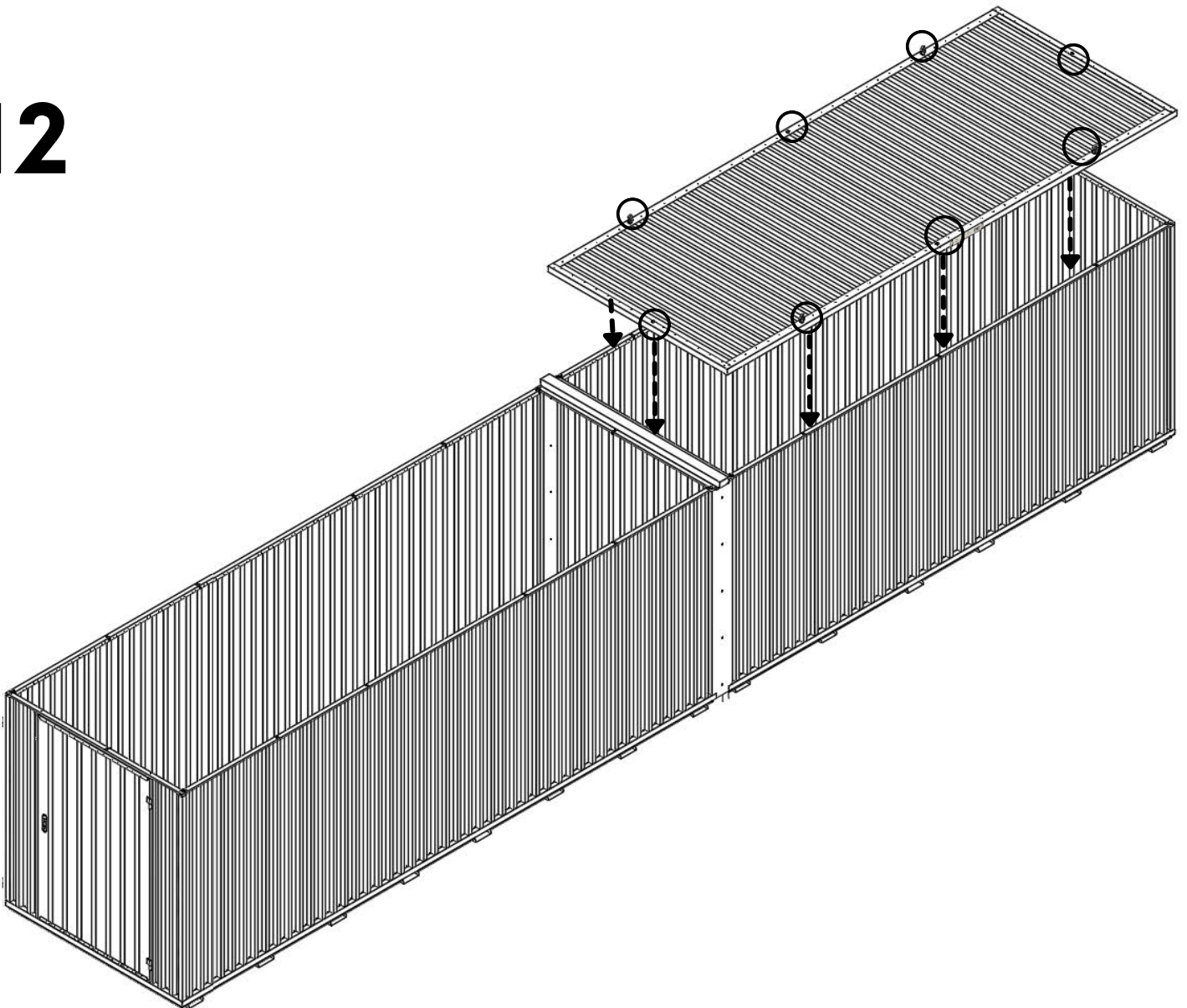




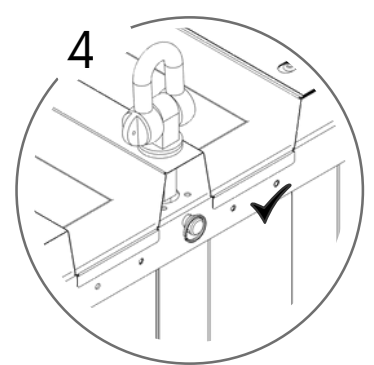
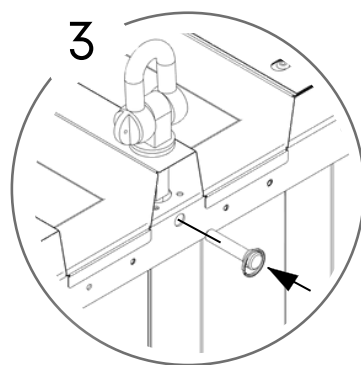
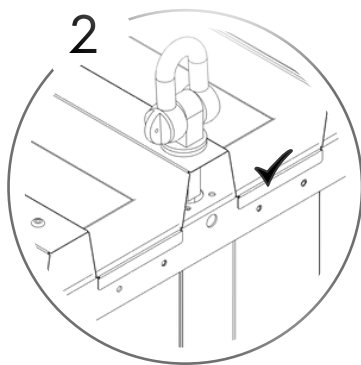
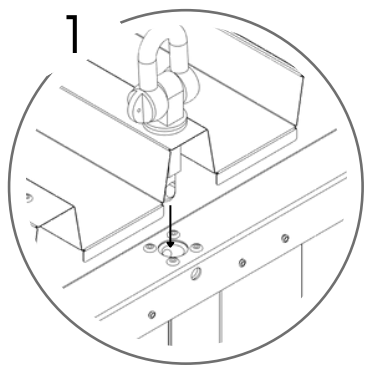
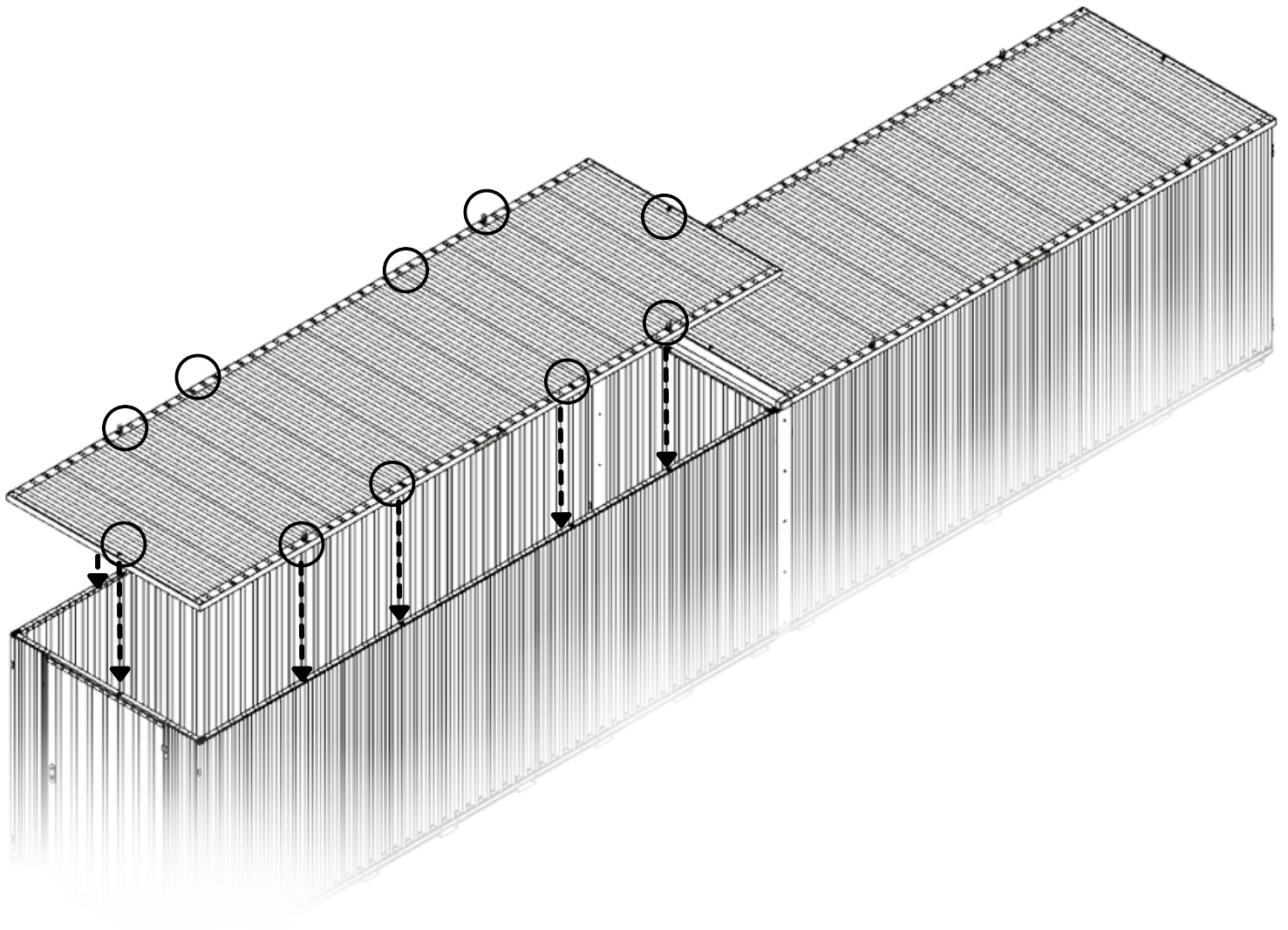
 1025 KG	 1640 MM	Model Code: 6050.110.320 Production Tracking Code:/X09.1.6050.320	  	 	
--	--	---	--	---	---



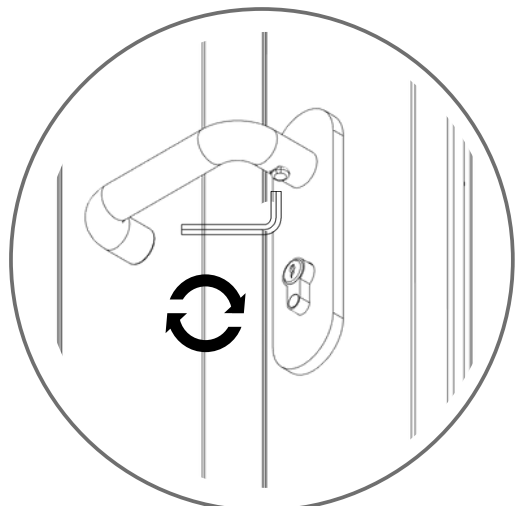
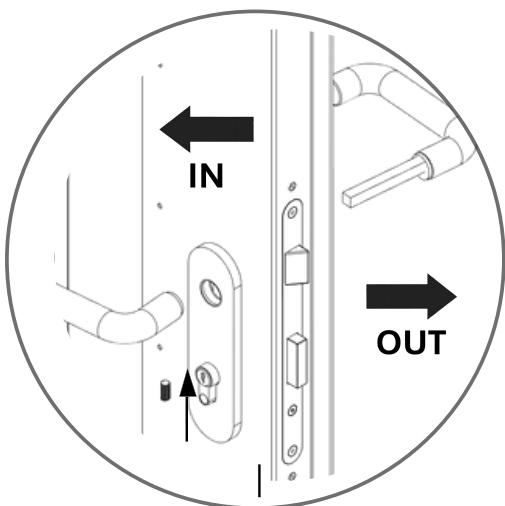
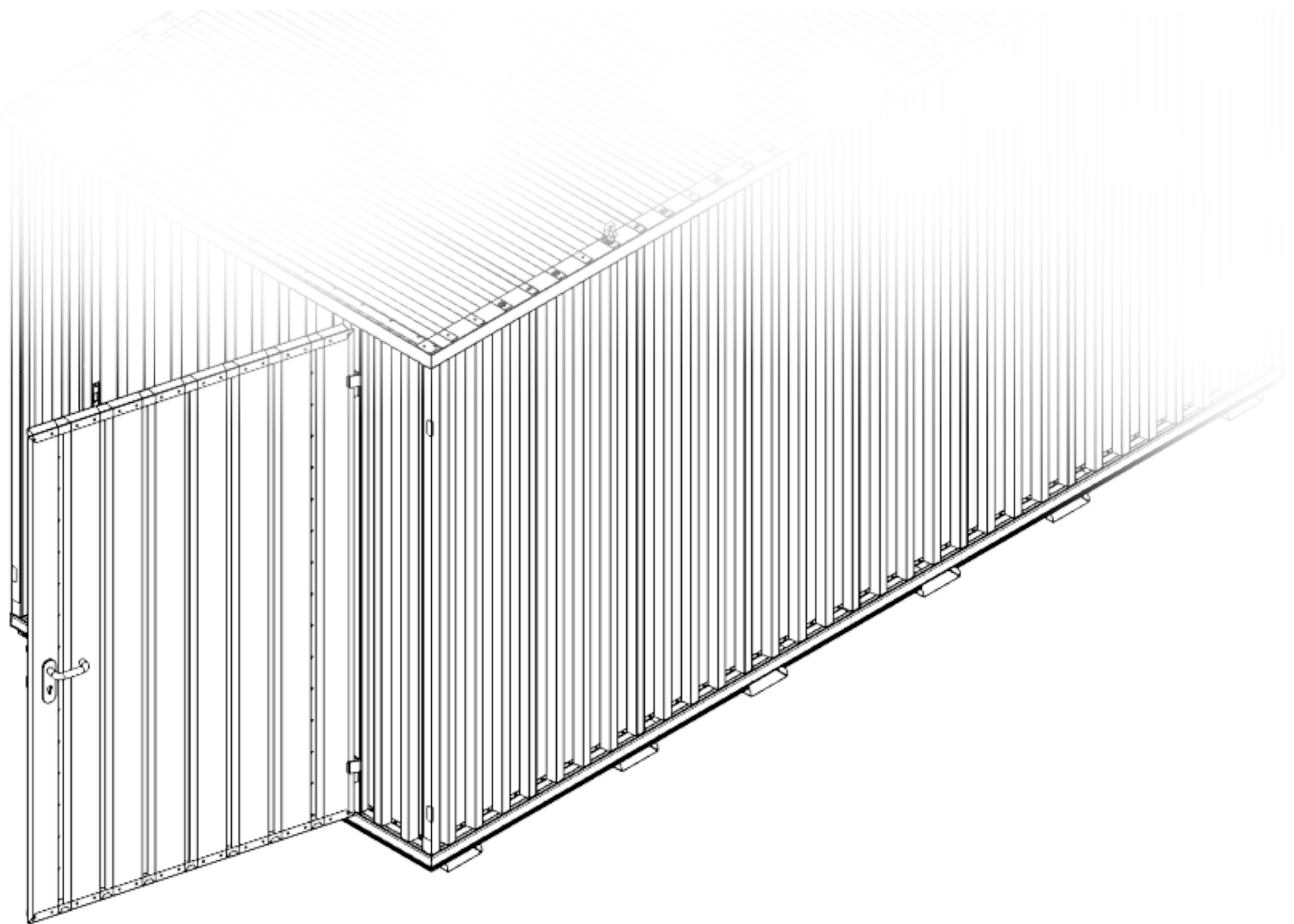
12



13



14



15

