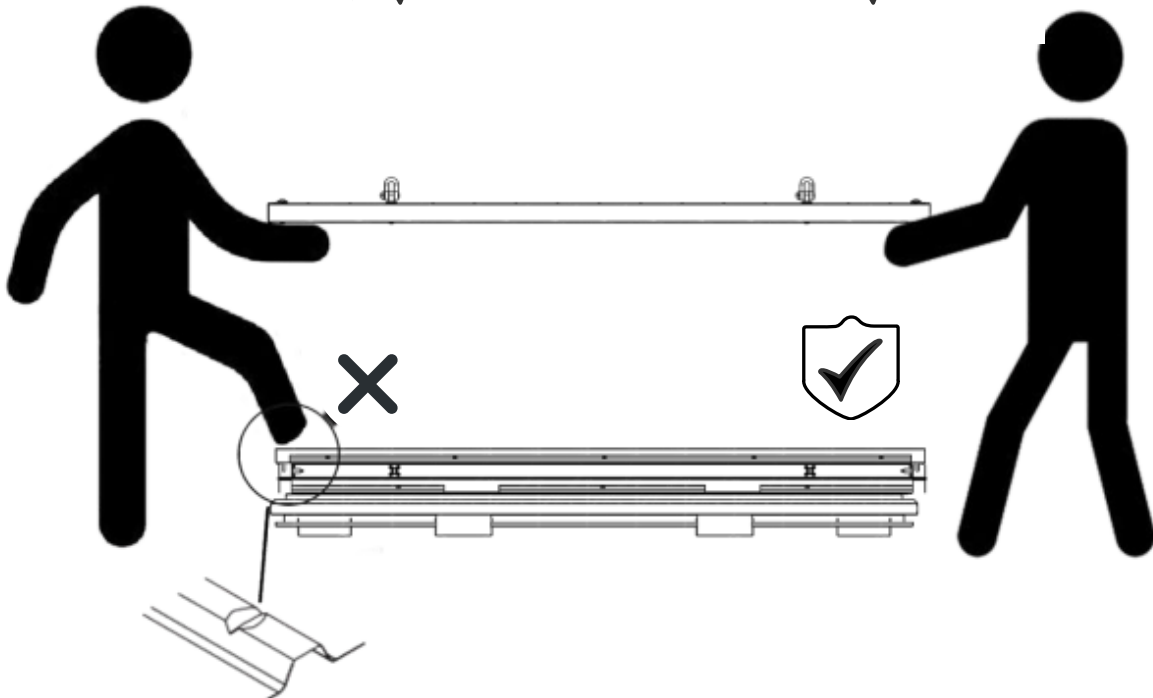
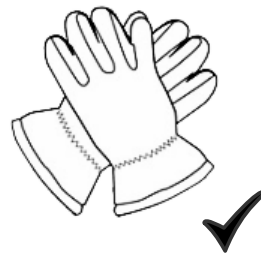
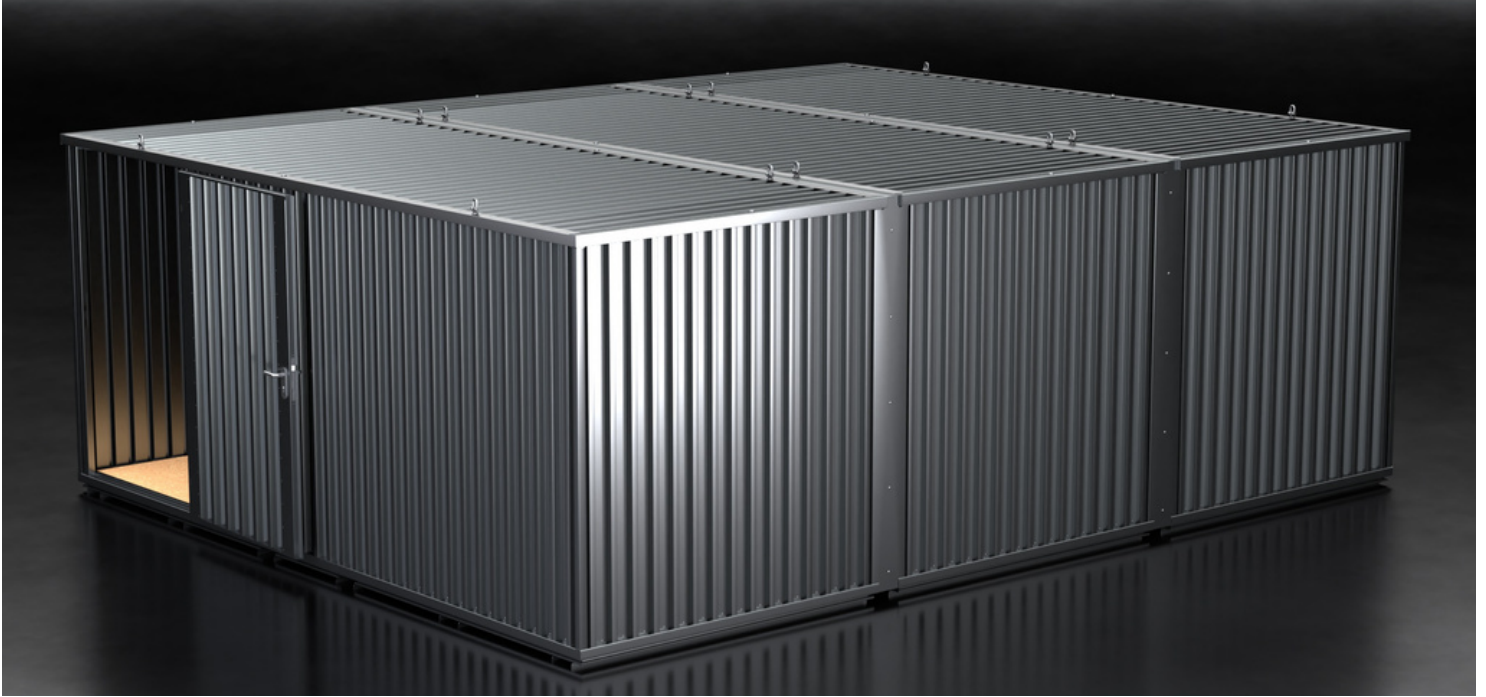


PRODUCT CODE:5055.110.450

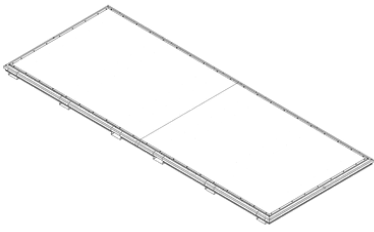
prefabase
Quick Build Solutions

Instructions and User Guide



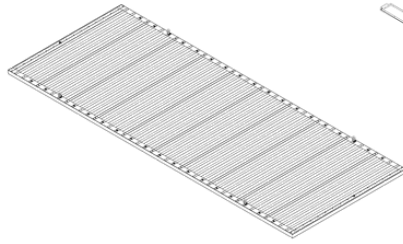
50.0110

3x



50.0510

3x



505.0110

2x



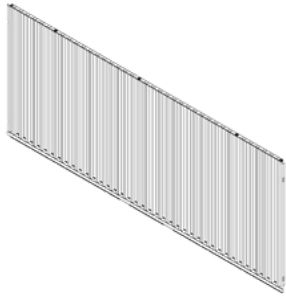
505.0510

2x



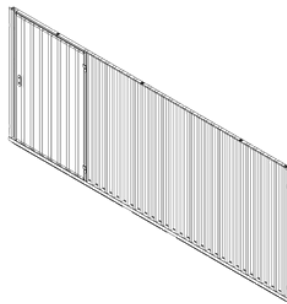
50.0410

1x



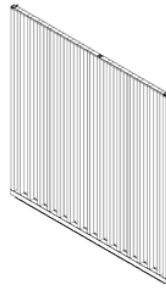
50.0450

1x



0310

6x



305.20.08

4x



305.20.09

4x

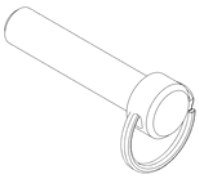


61.101

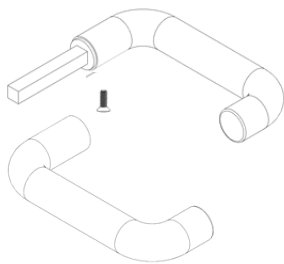
4x



36x



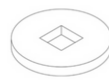
1x



20x



20x



20x



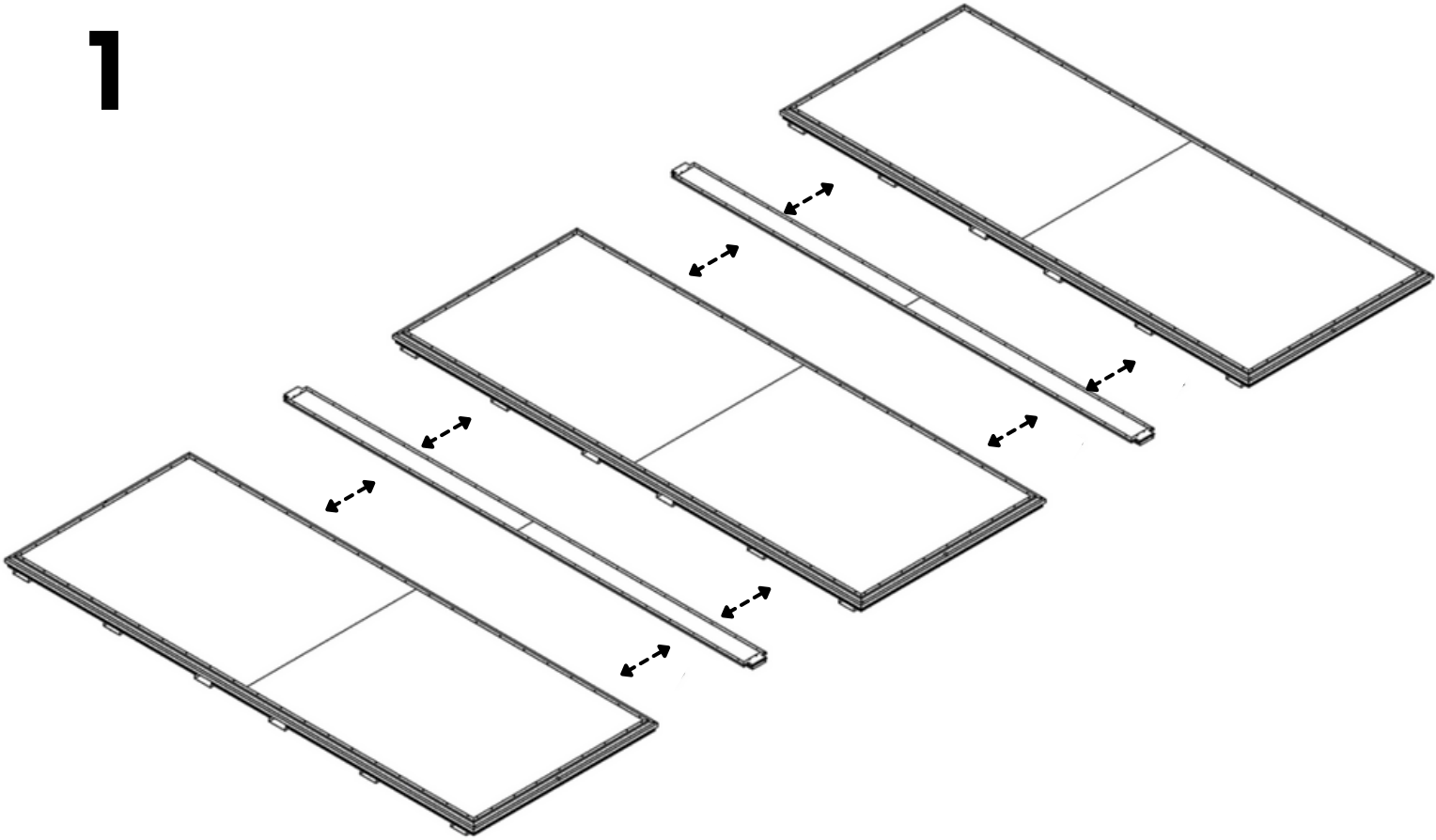
1x



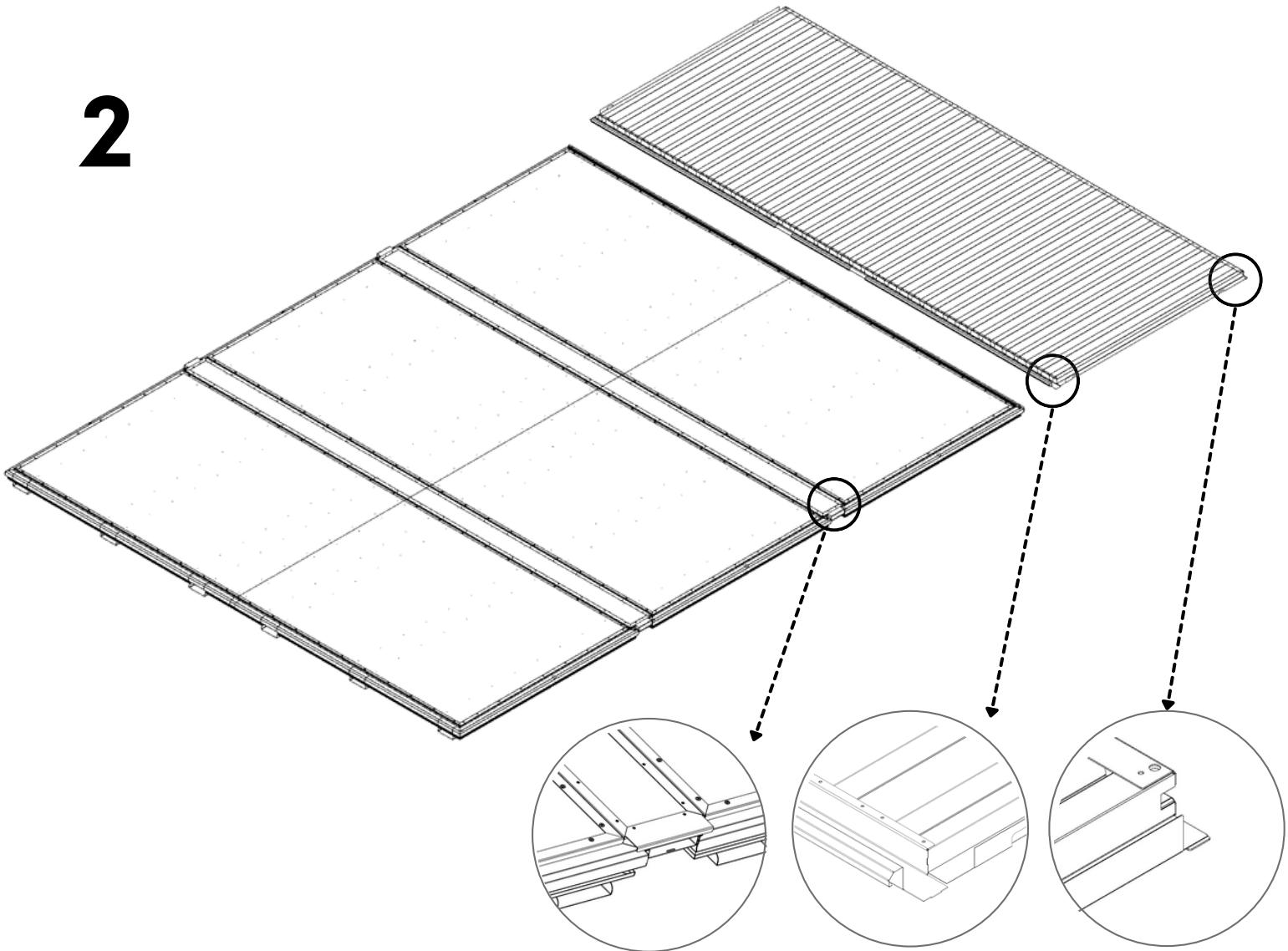
1x

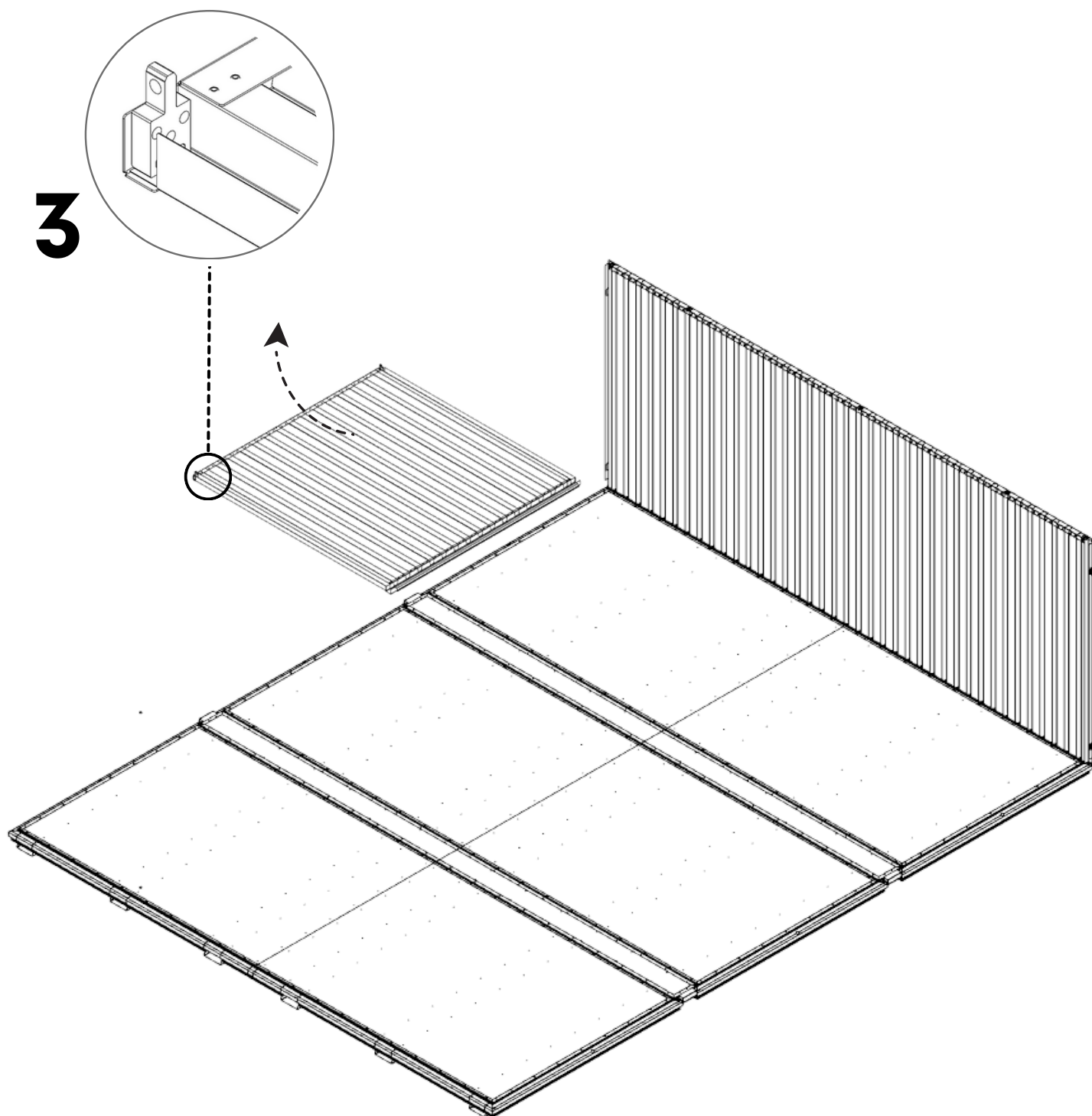
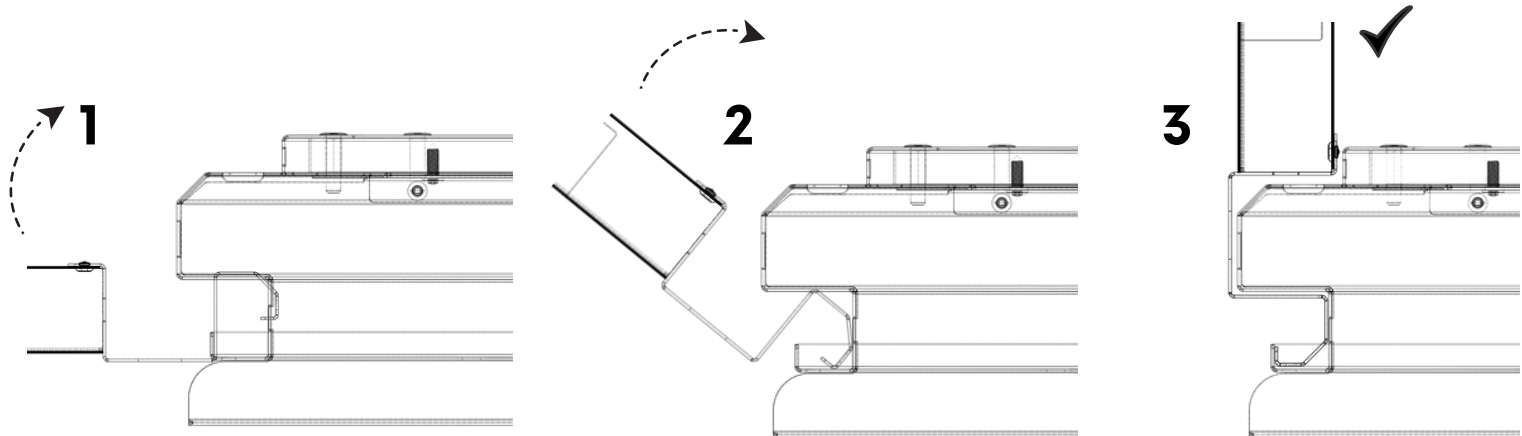


1

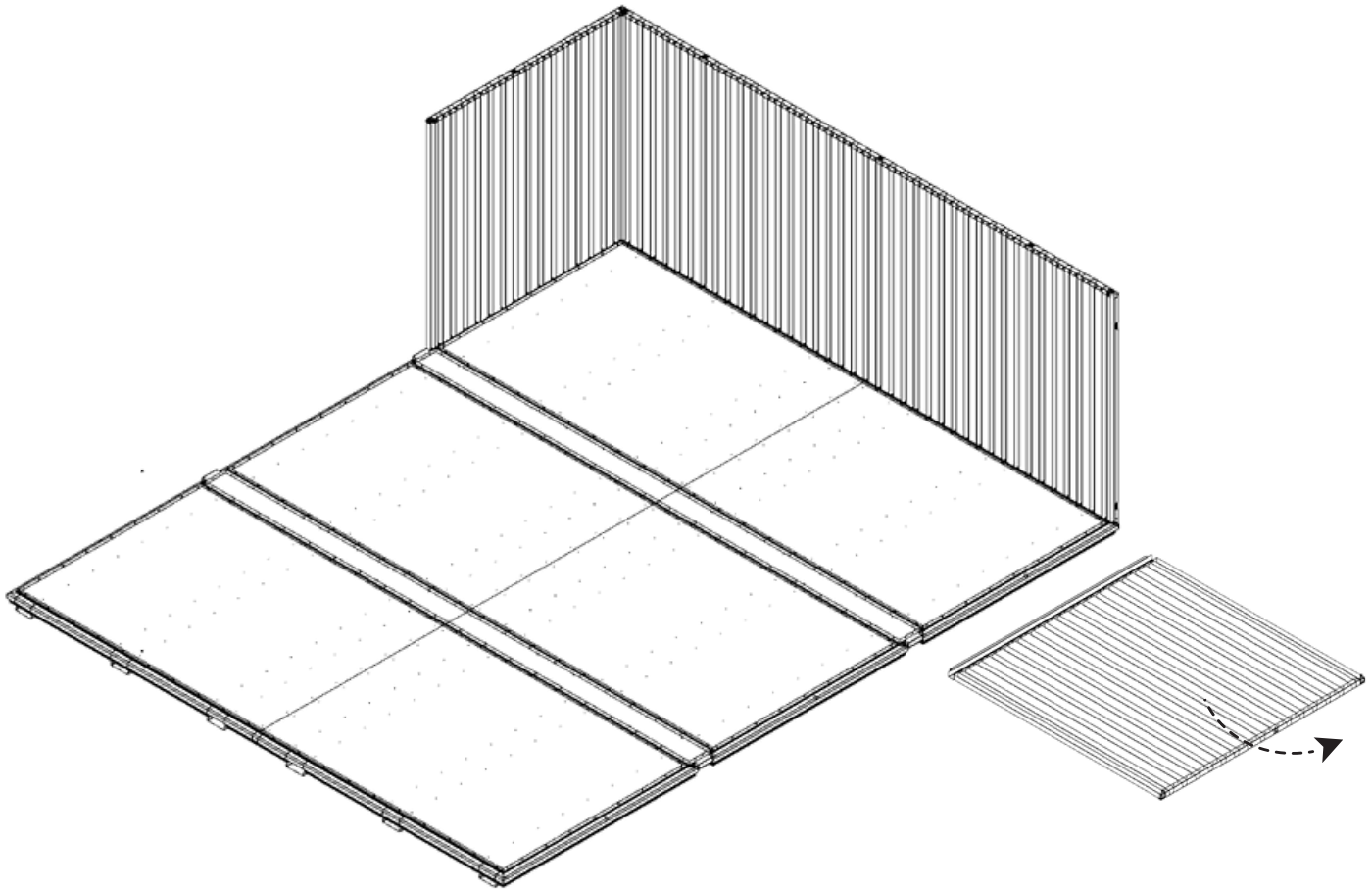


2

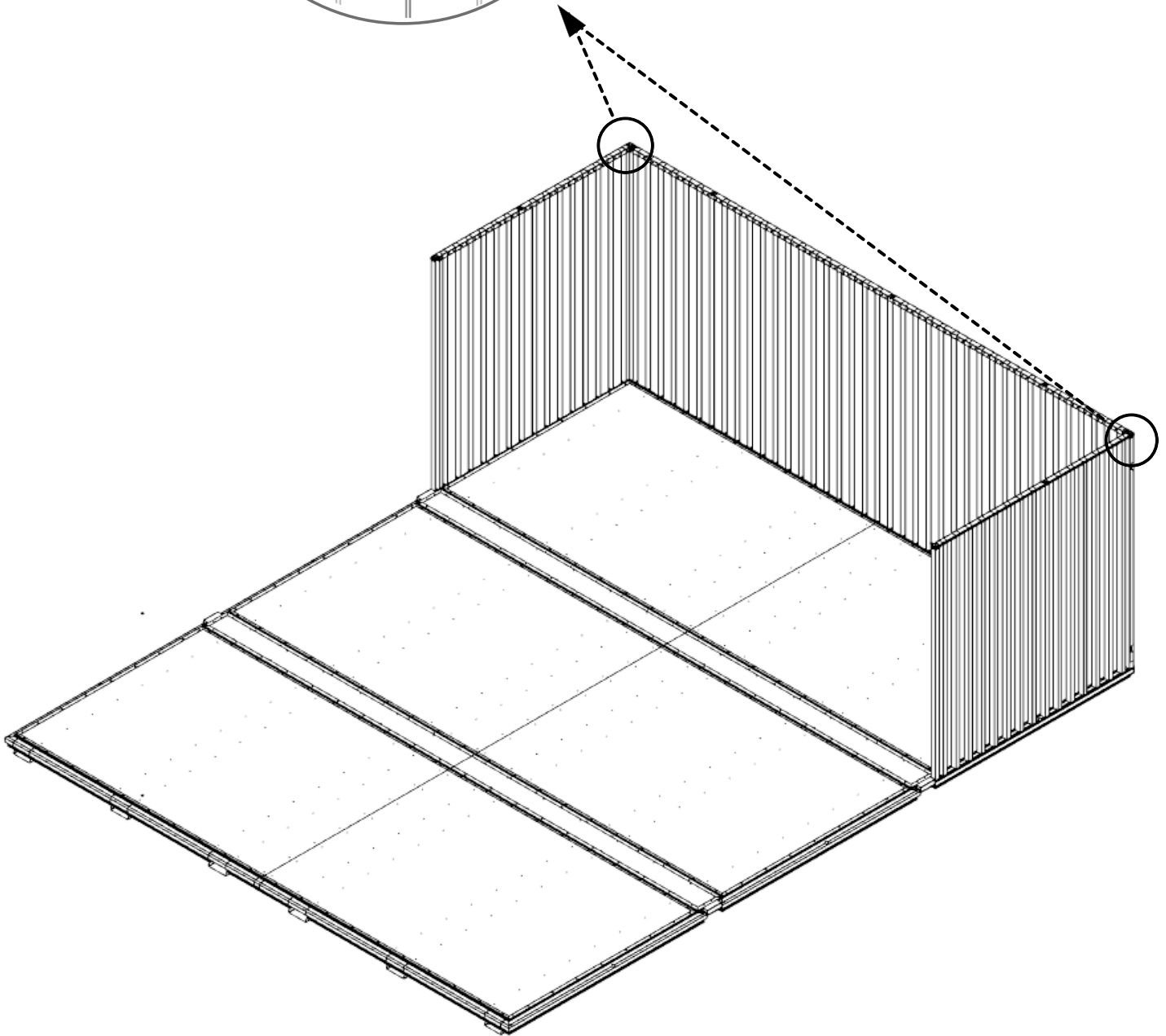
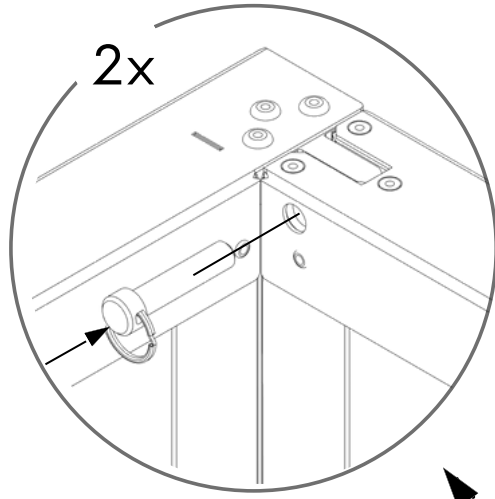




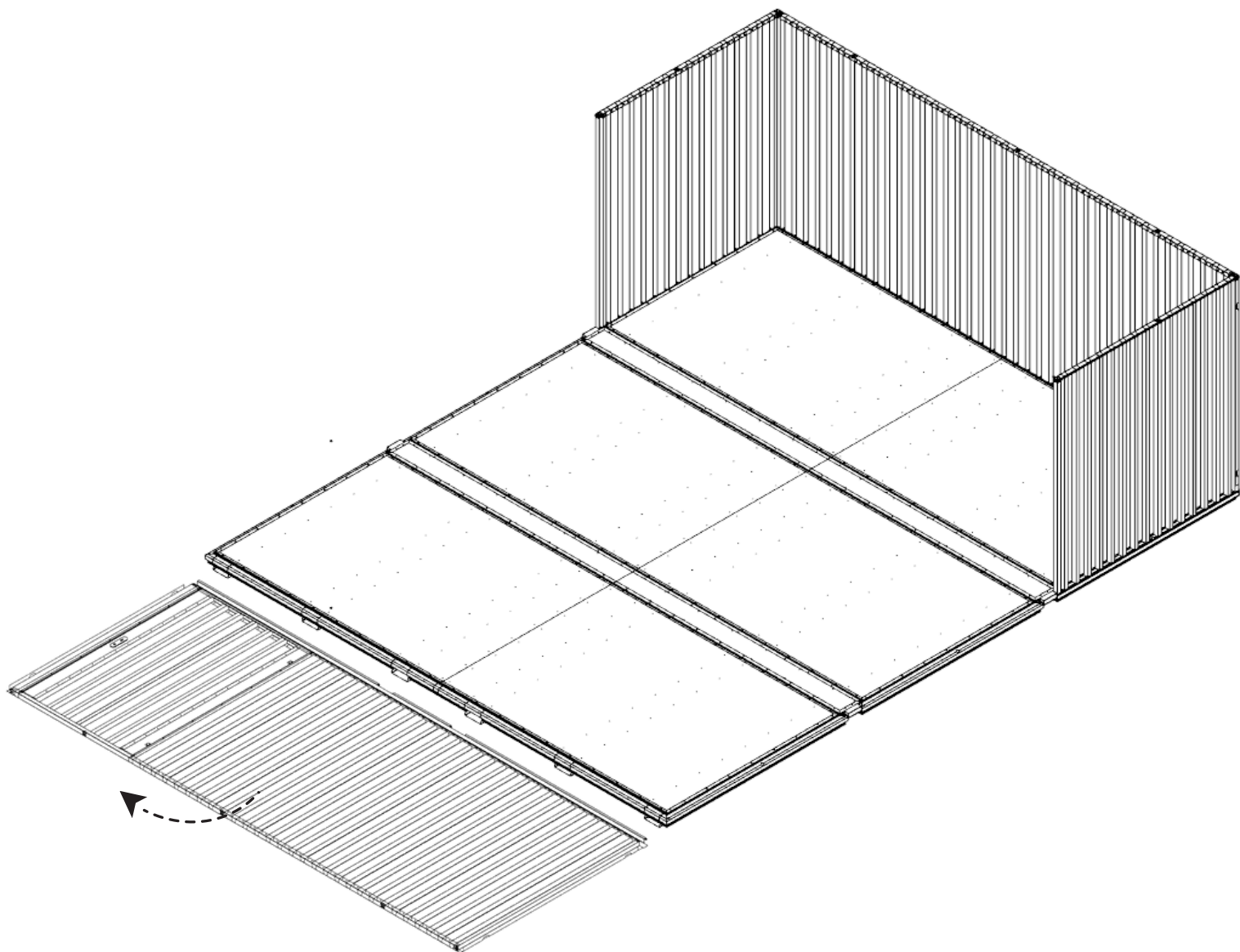
4



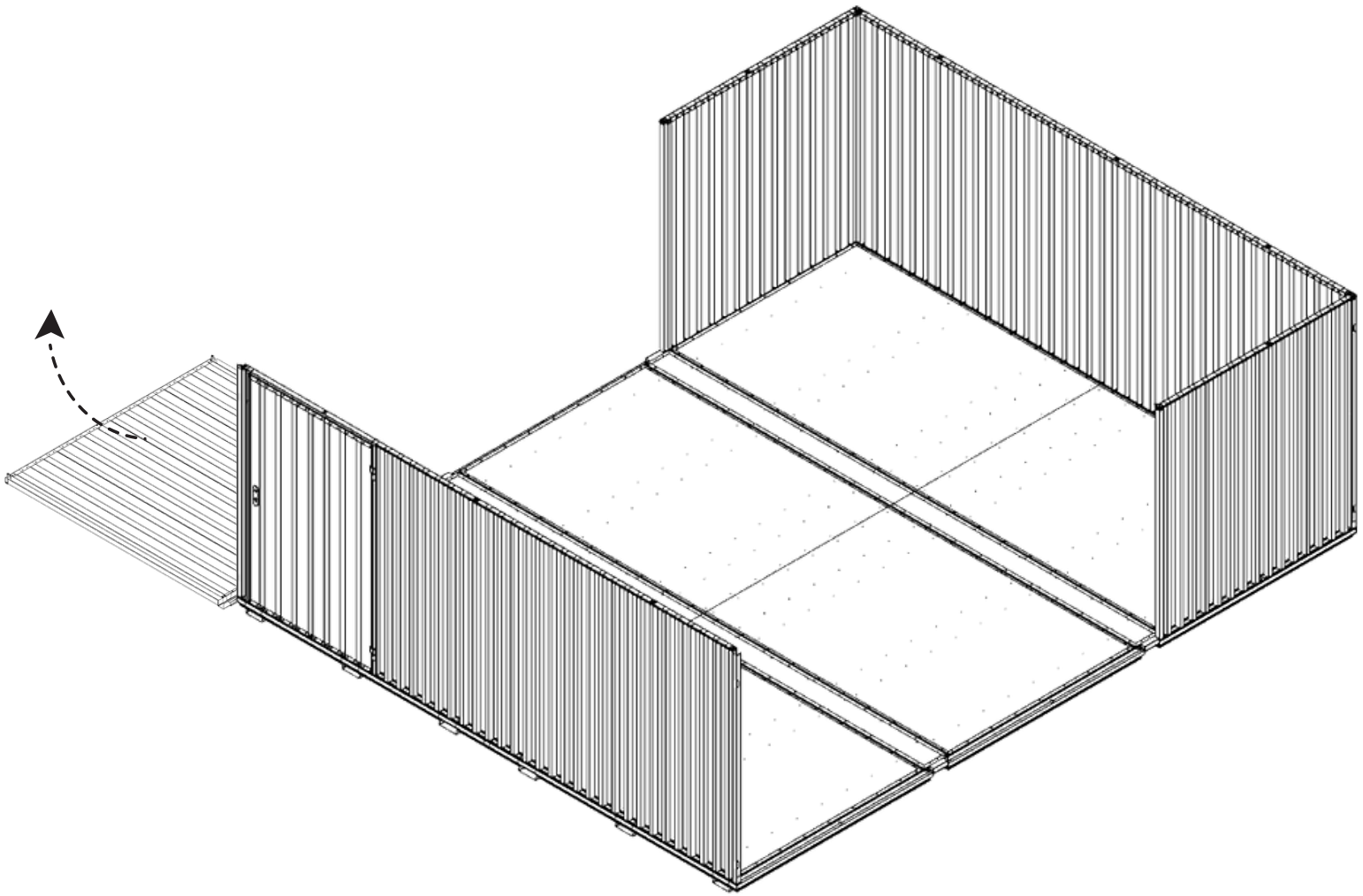
4.1



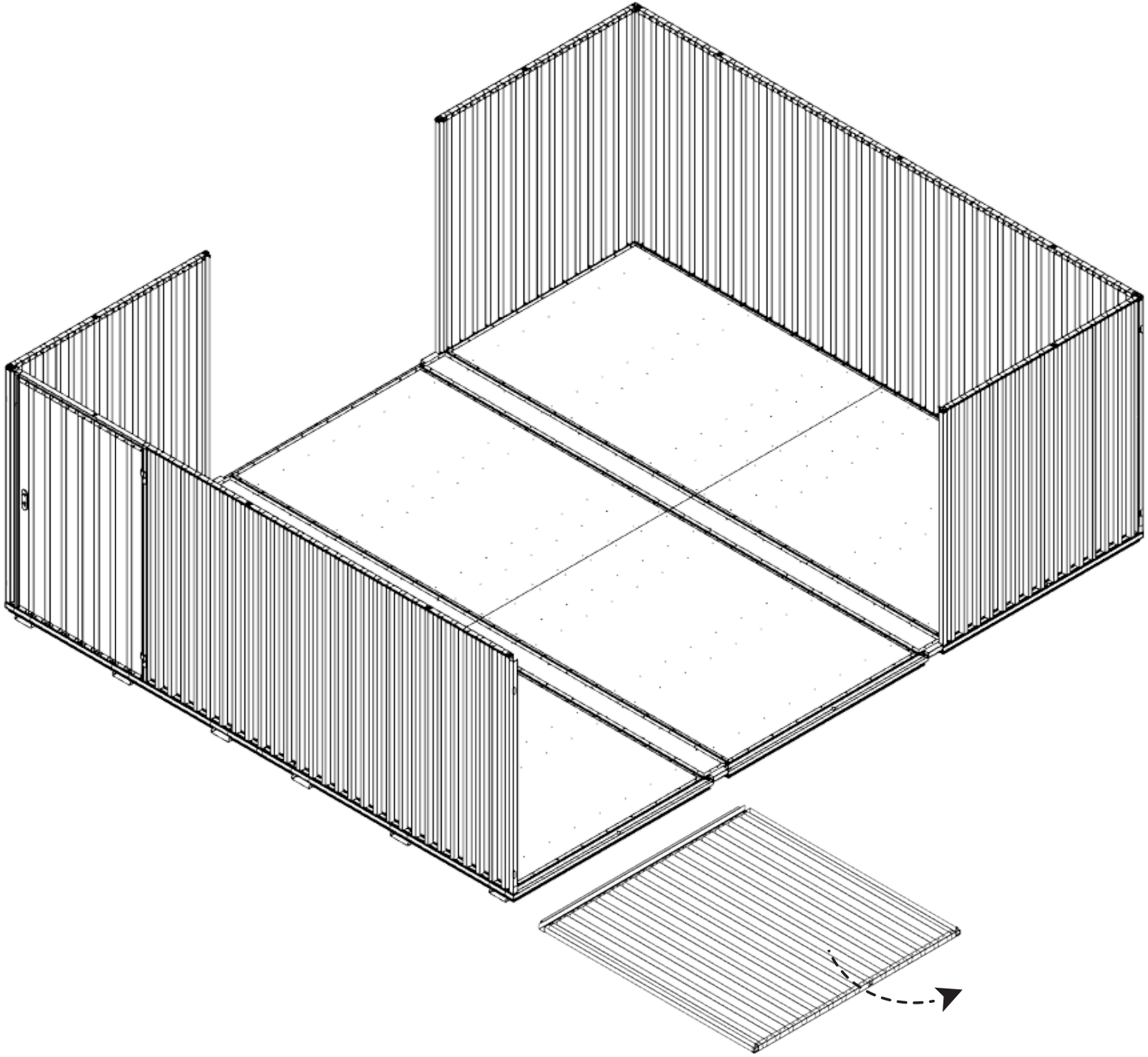
5



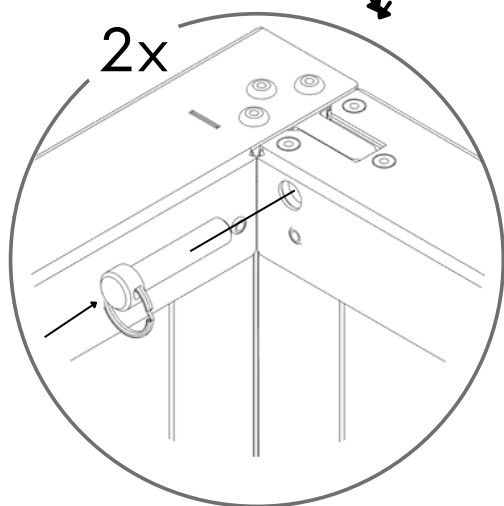
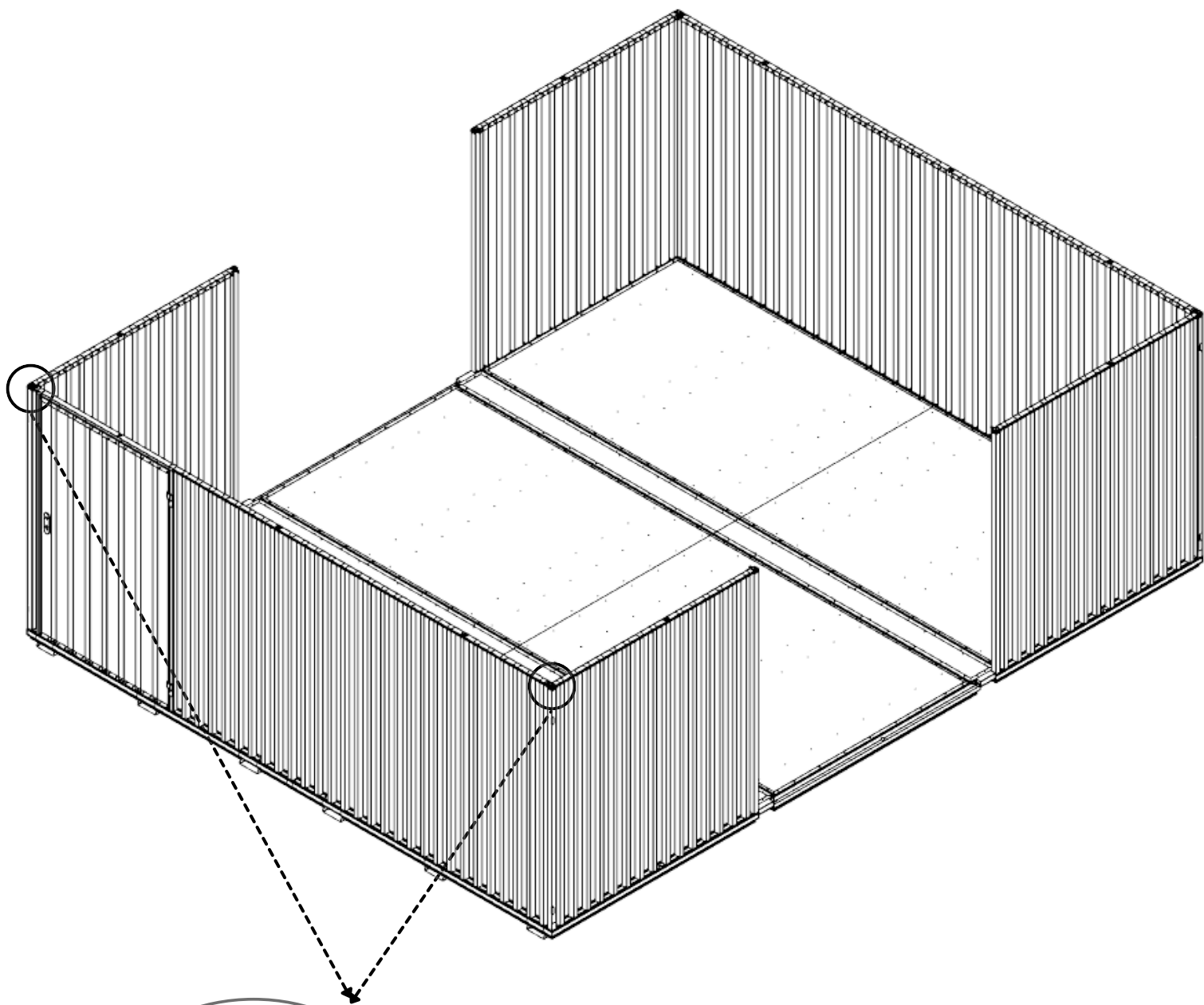
6



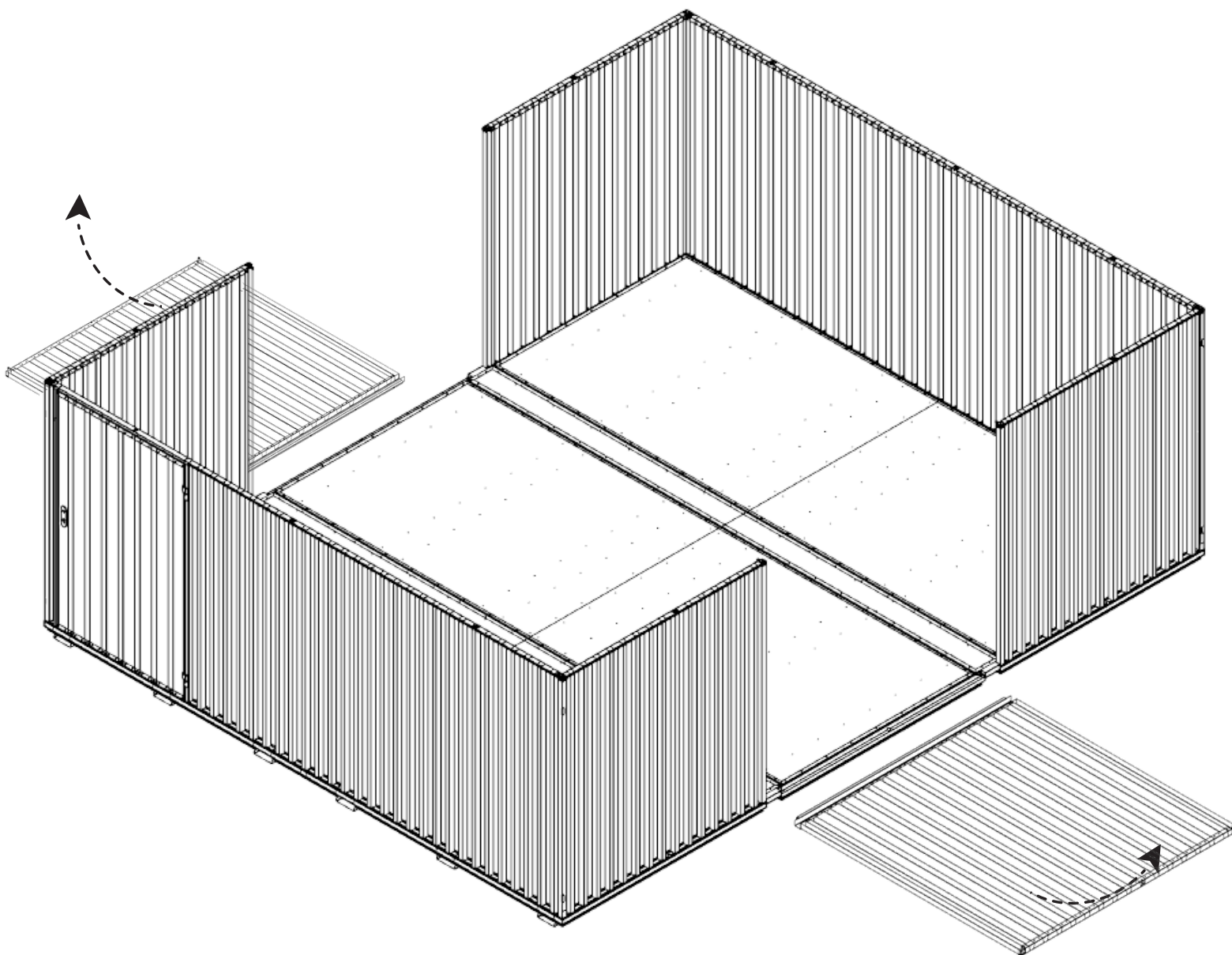
7



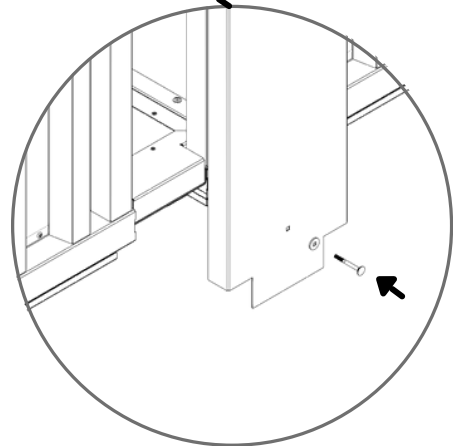
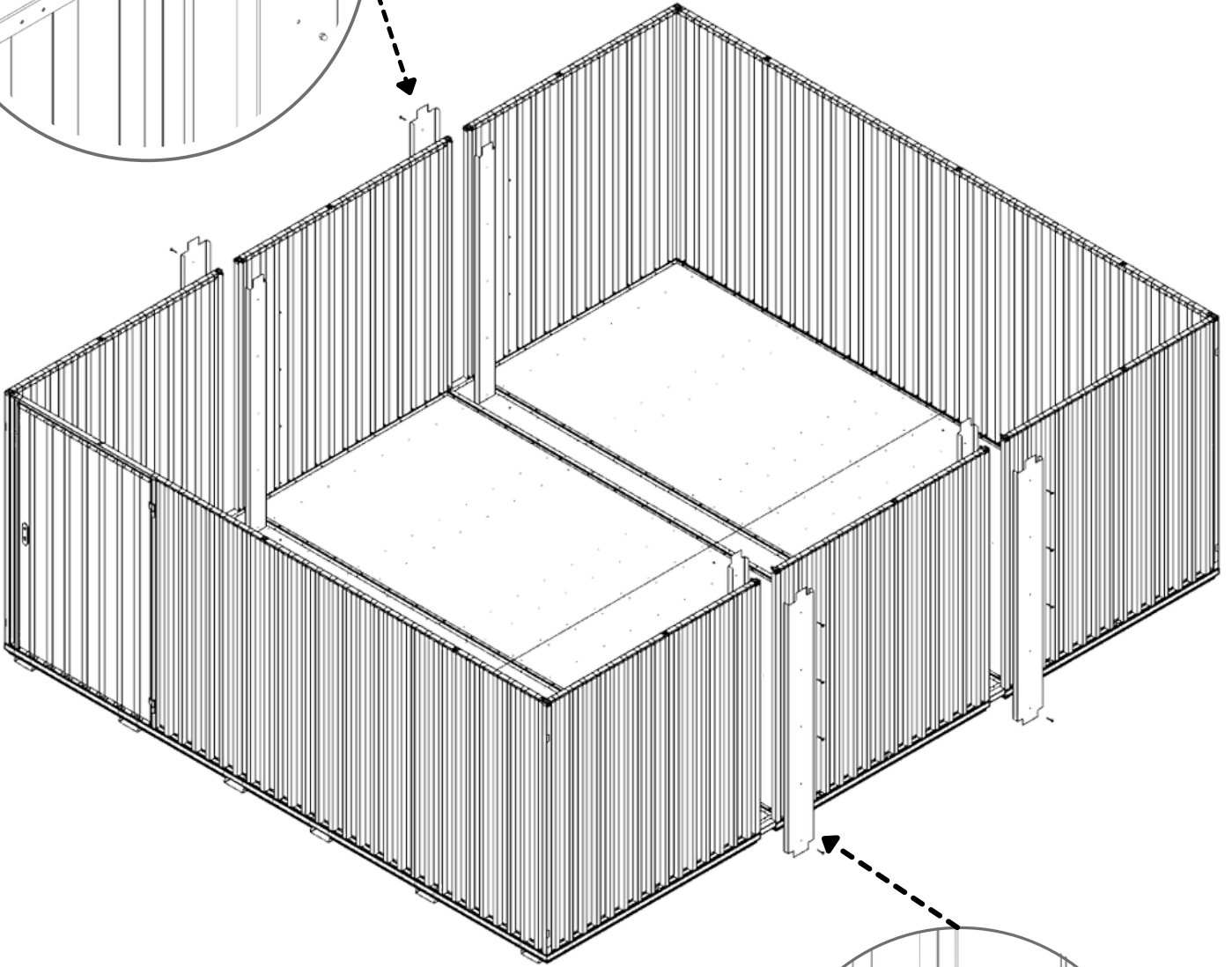
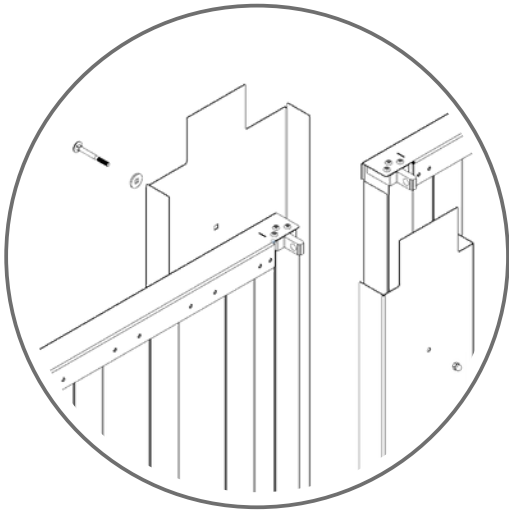
7.1



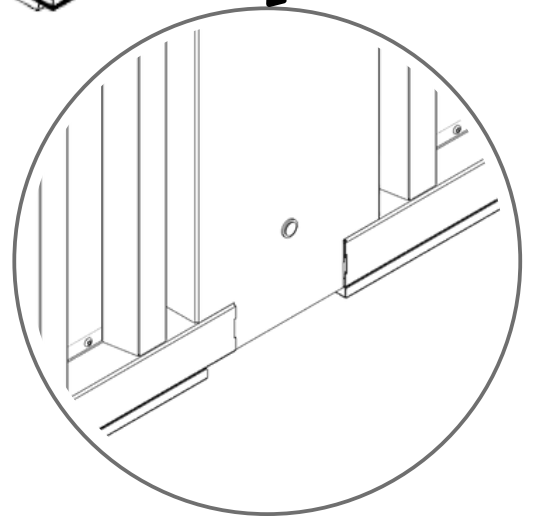
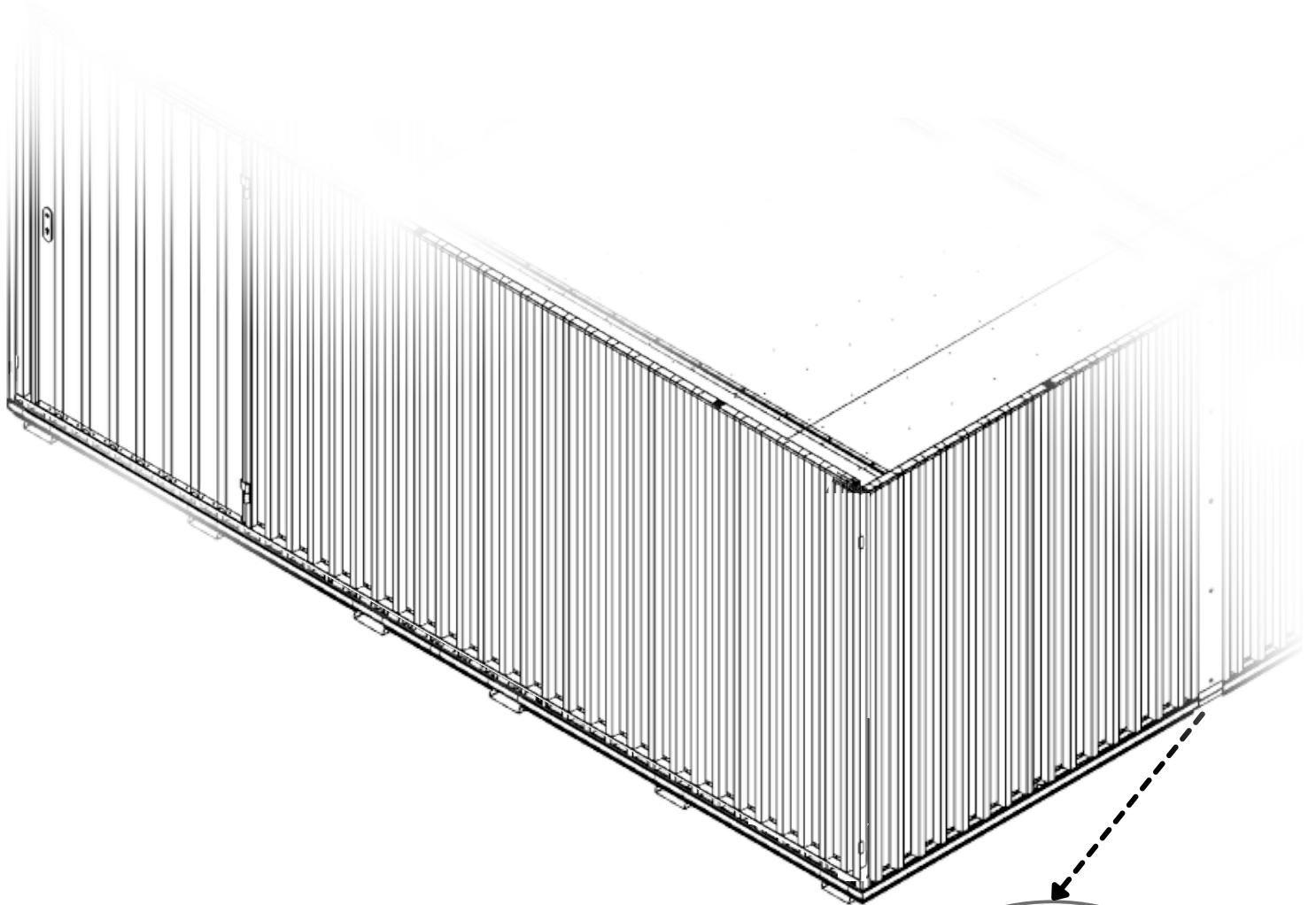
8



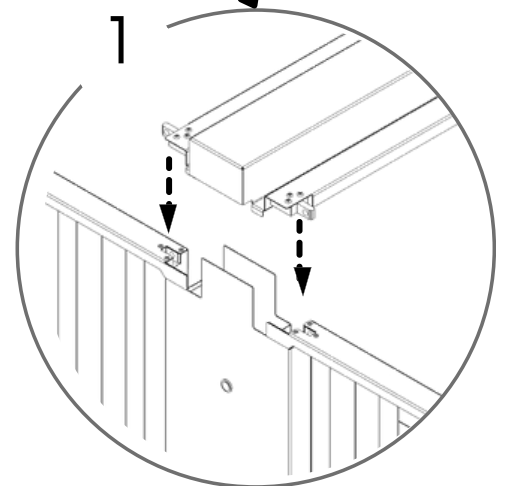
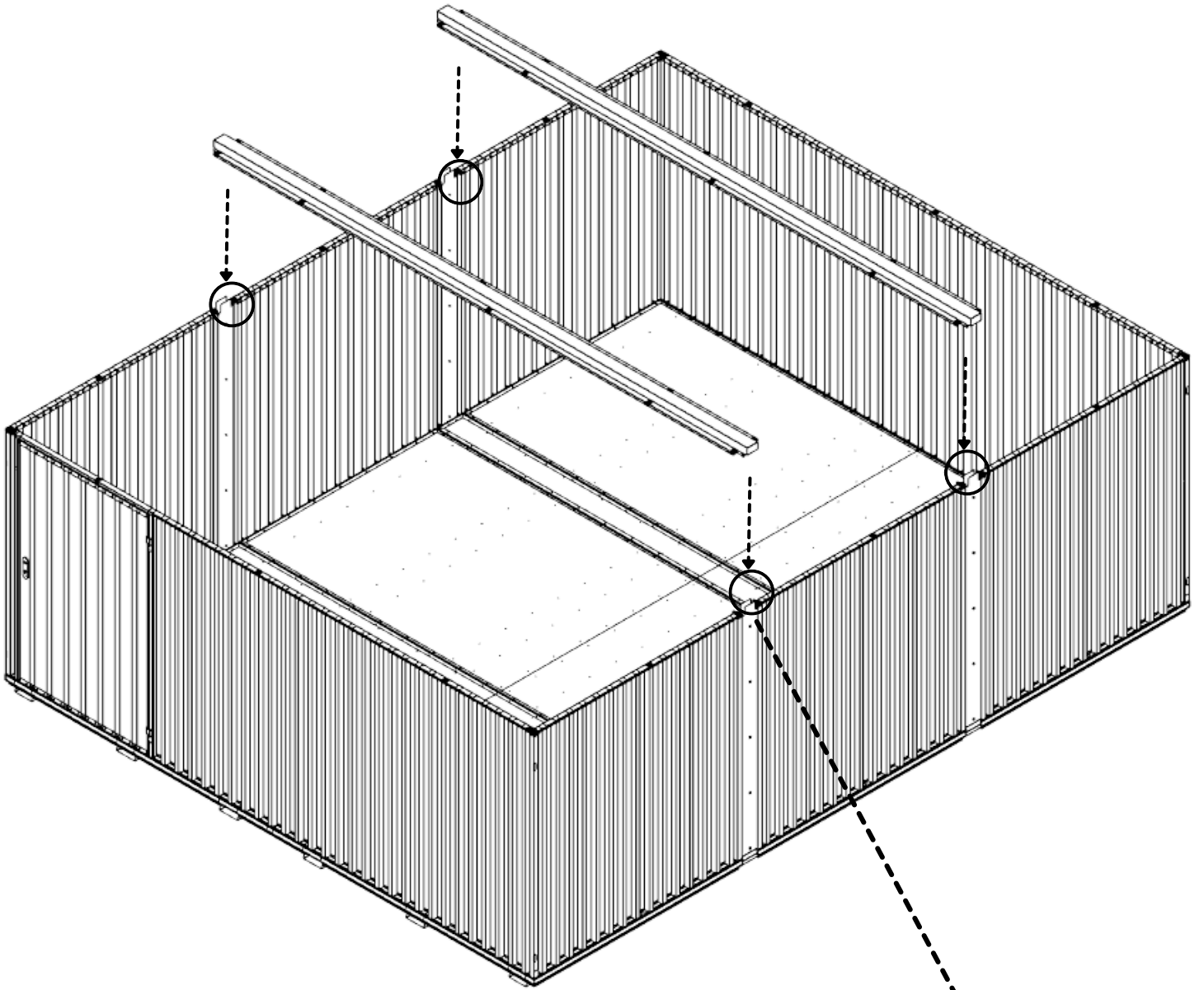
9



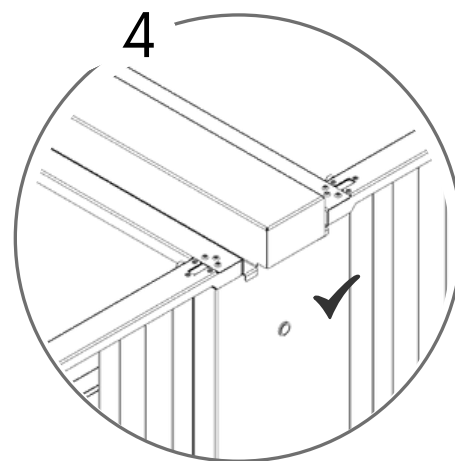
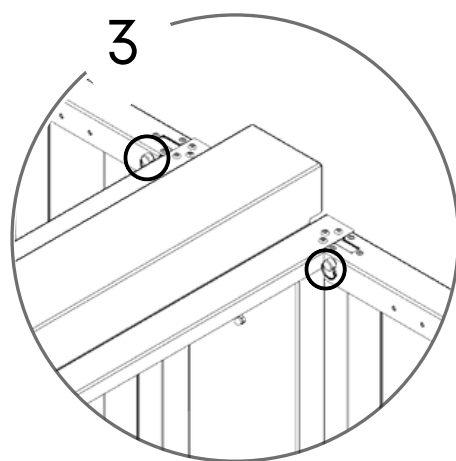
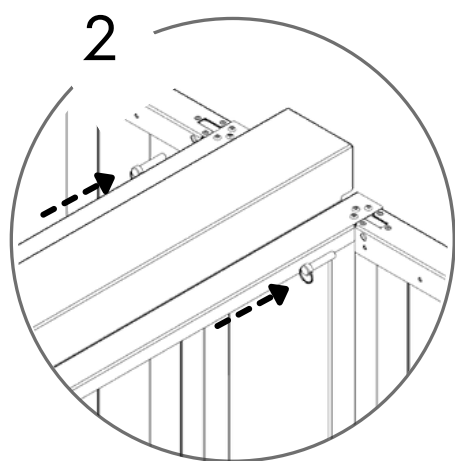
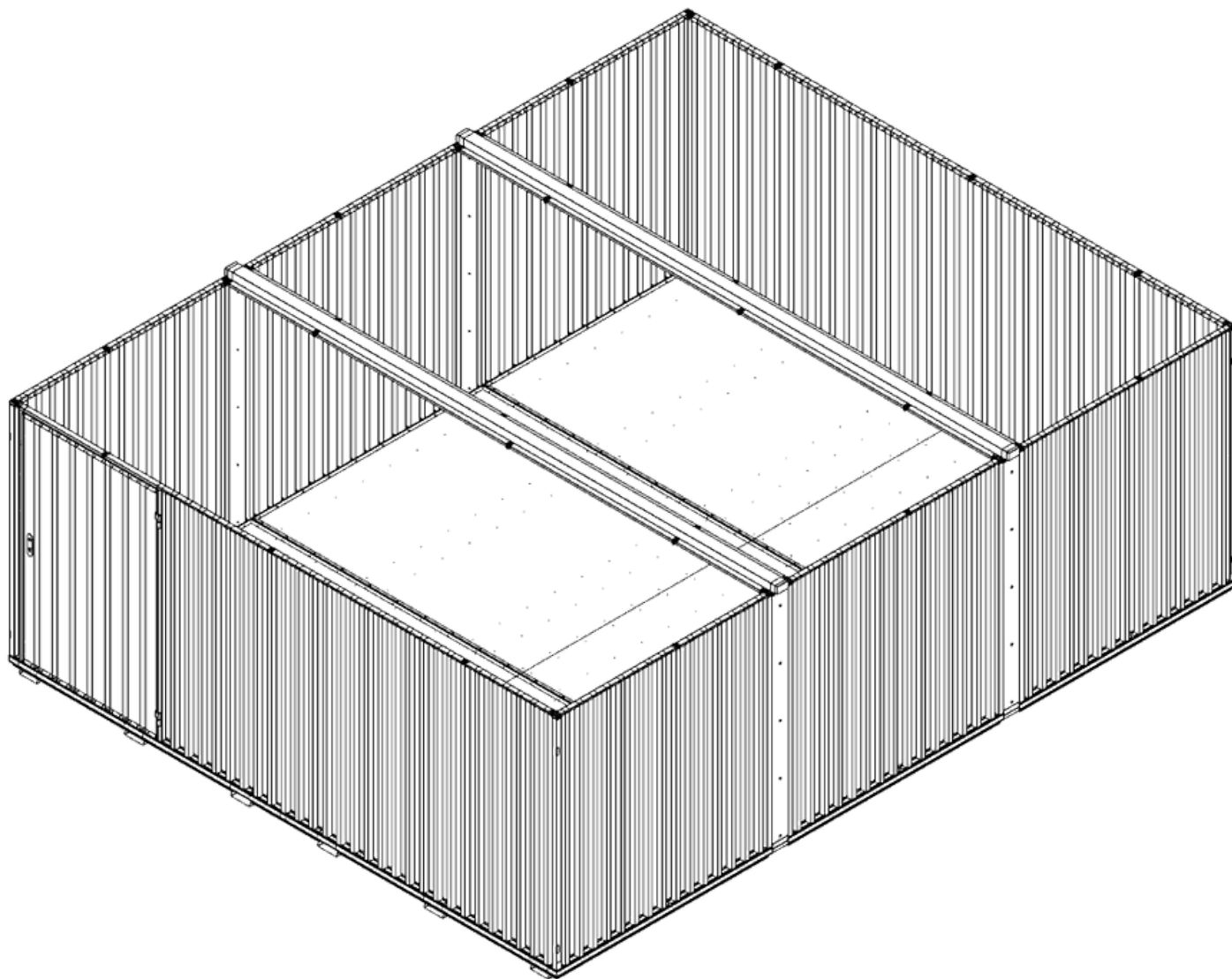
10











11

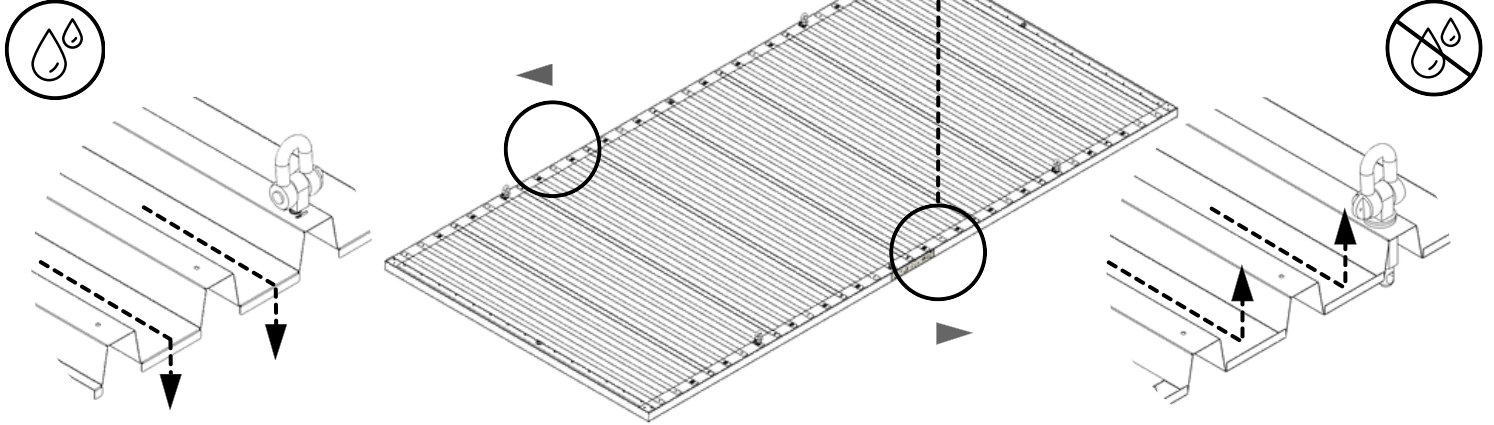


12

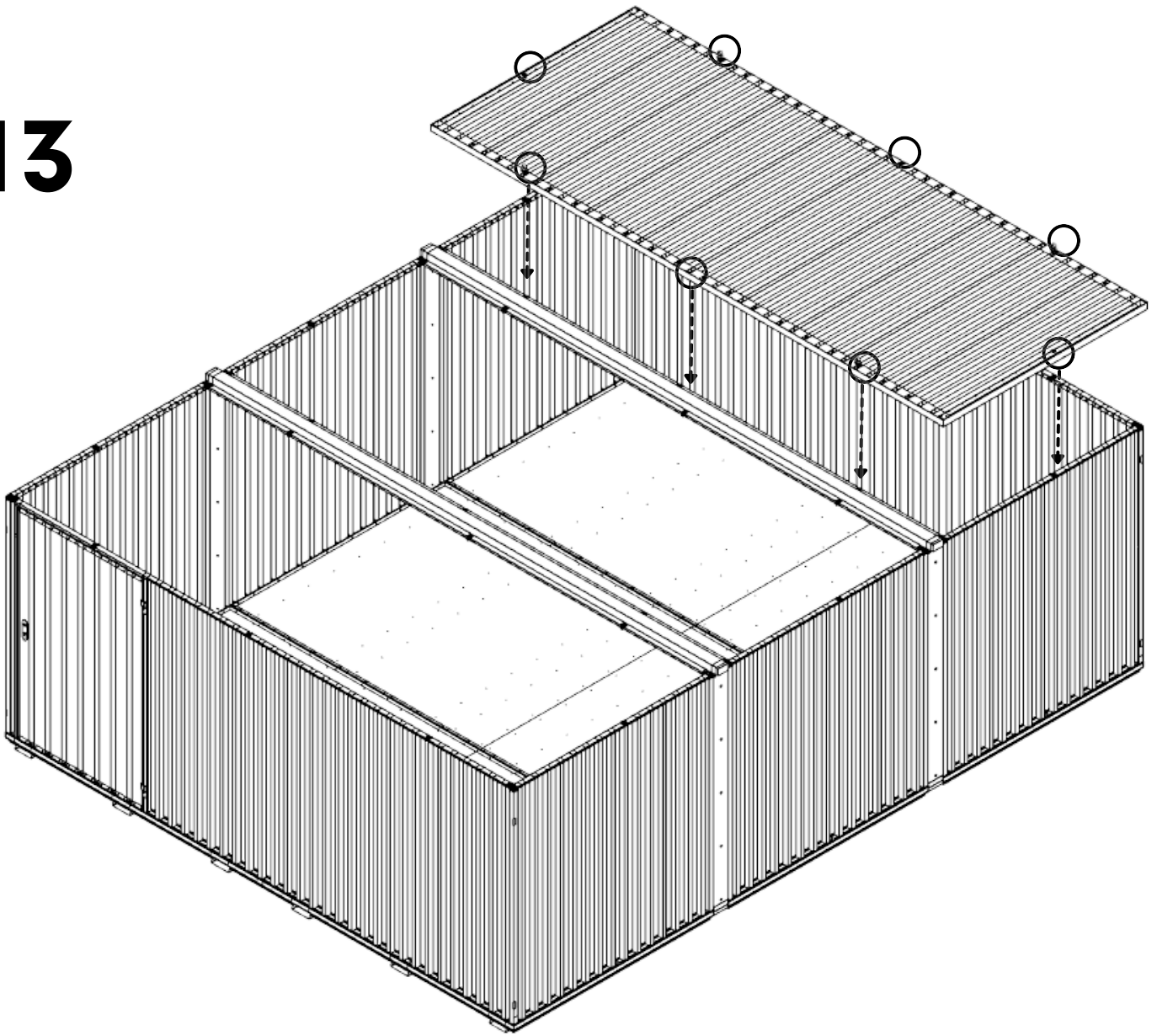




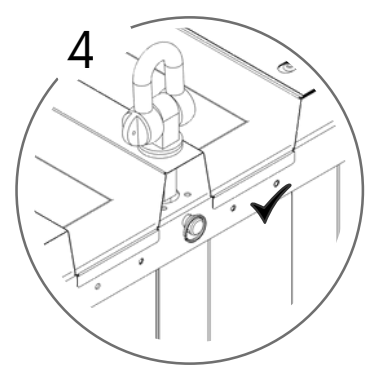
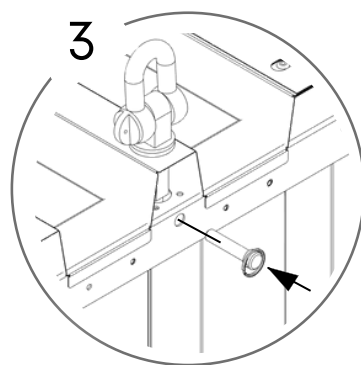
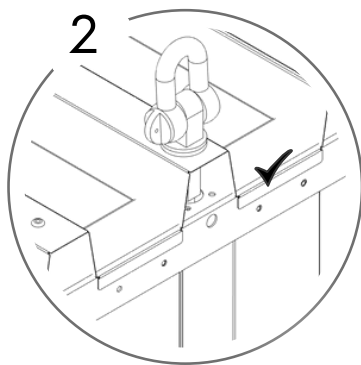
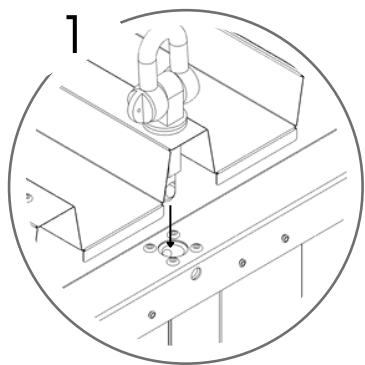
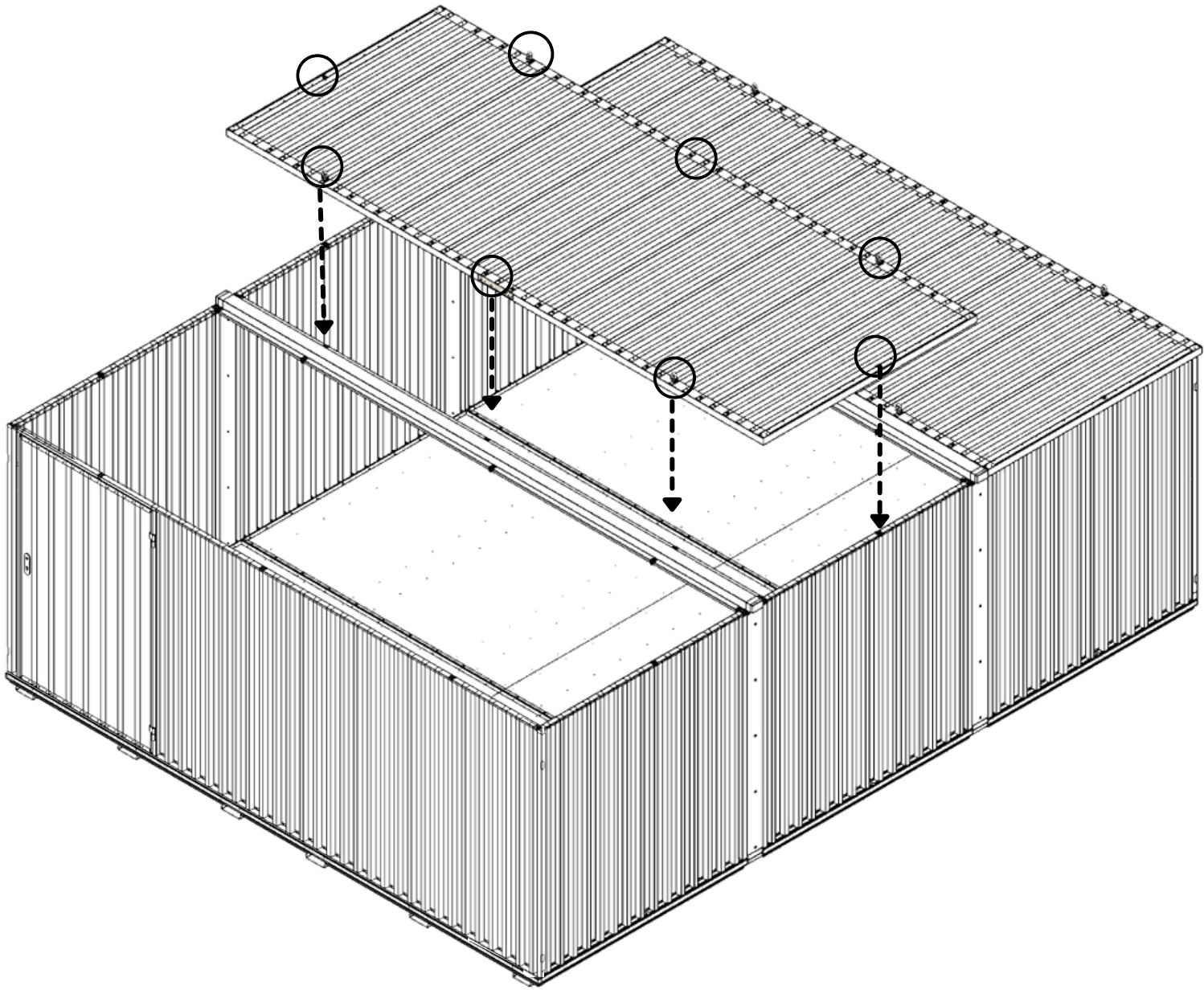
 1249 KG	 1640 MM	Model Code: 5055.110.450 Production Tracking Code:/X09.1.5055.450	 9001	 14001	 50001			
--	--	---	---	--	--	---	---	---



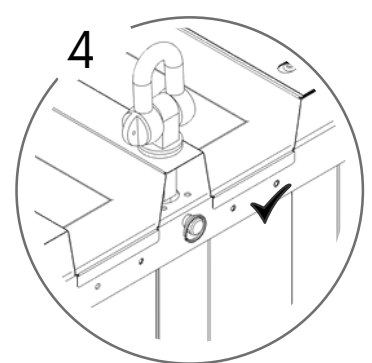
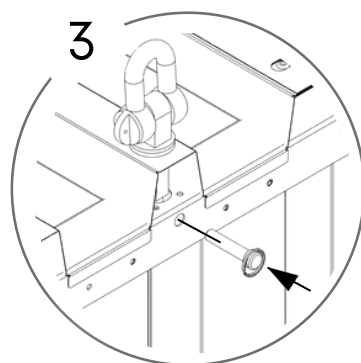
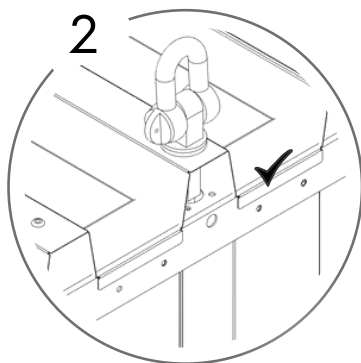
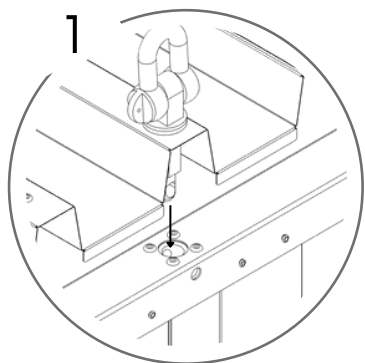
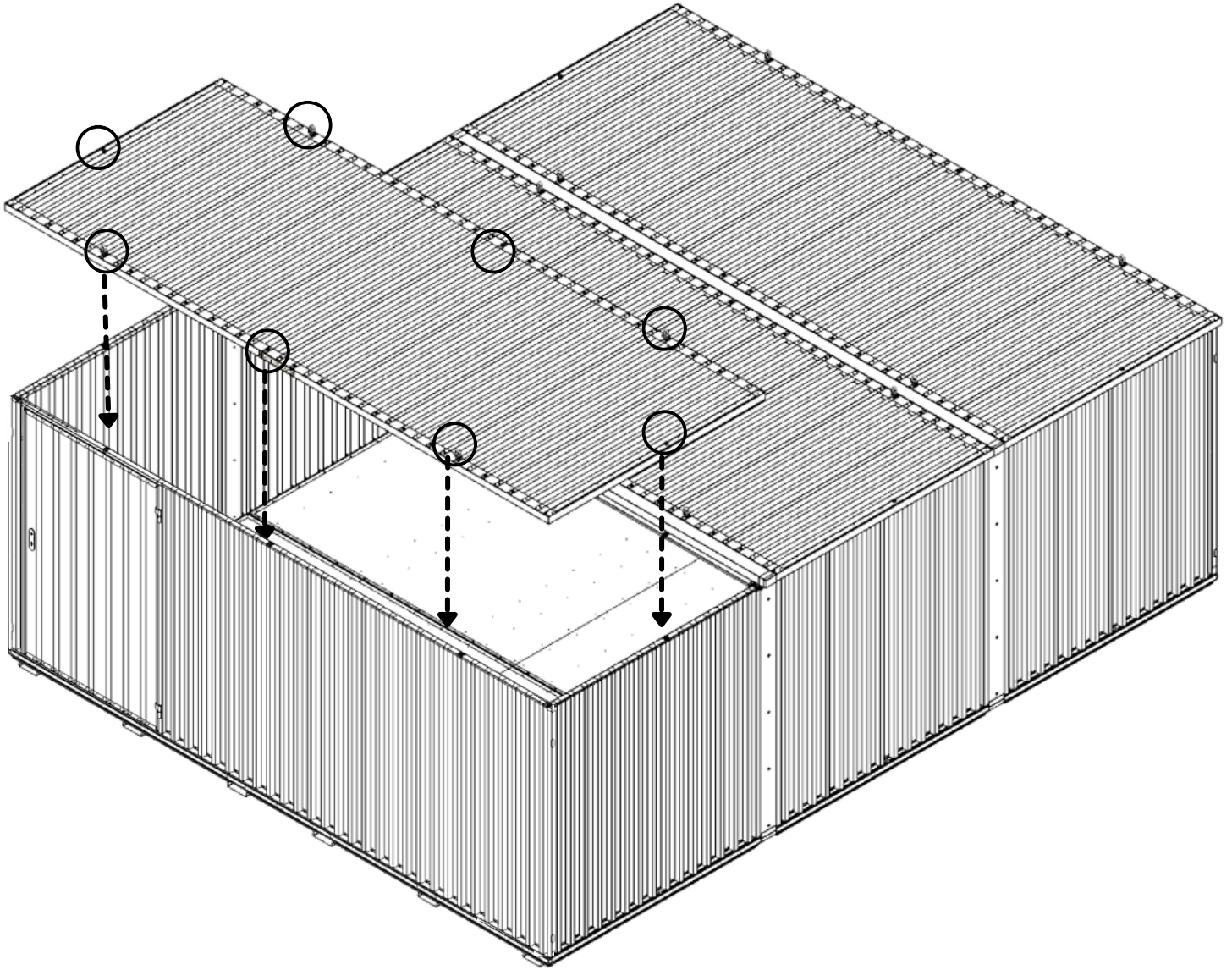
13



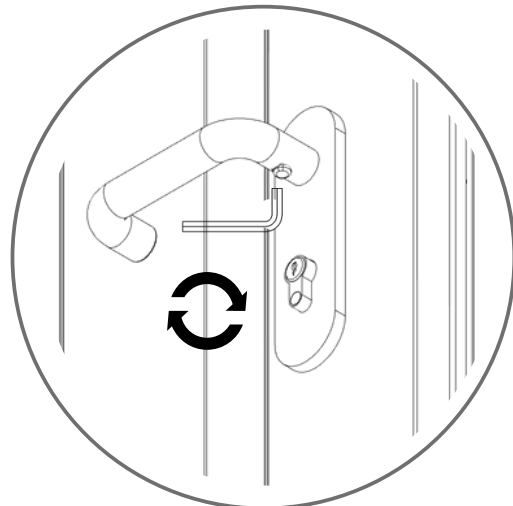
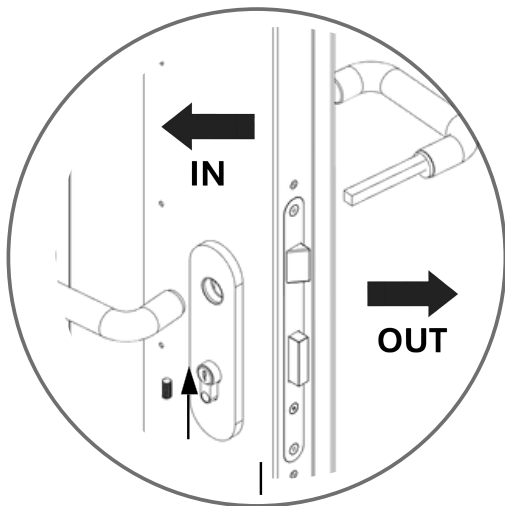
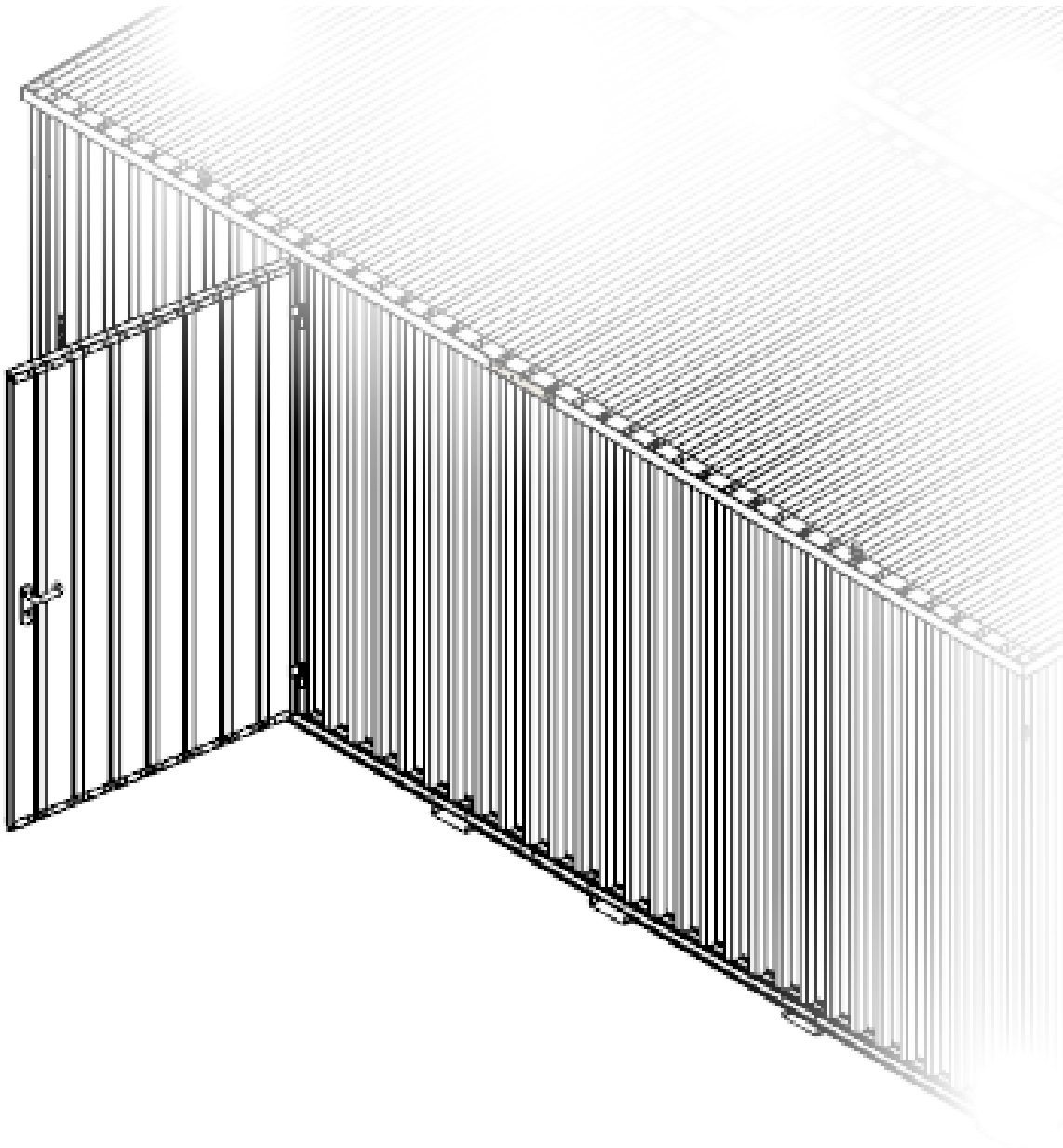
14



15



16



17

