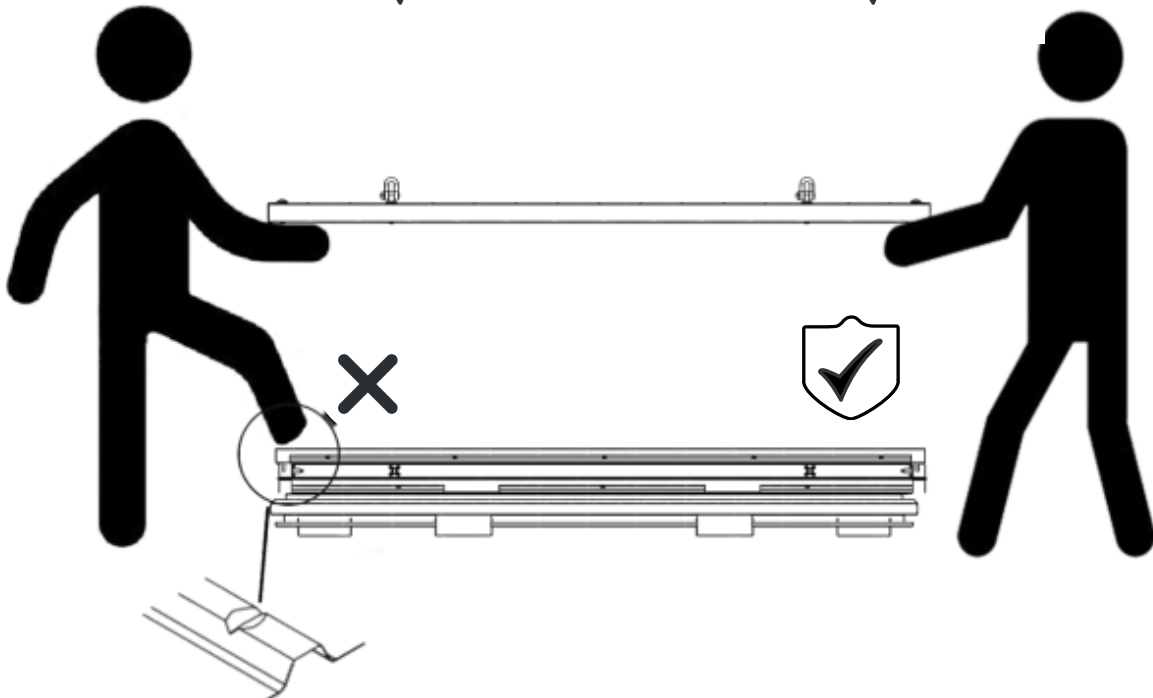
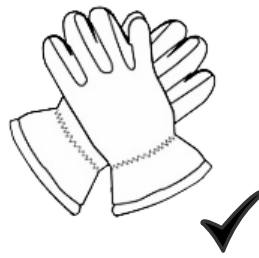


PRODUCT CODE:4044.110.420.431

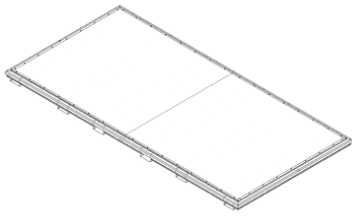
prefabase
Quick Build Solutions

Instructions and User Guide



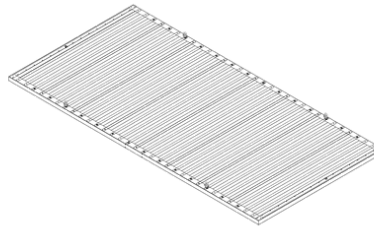
40.0110

3x



40.0510

3x



404.0110

2x



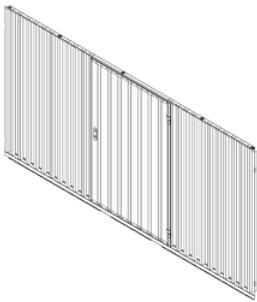
404.0510

2x



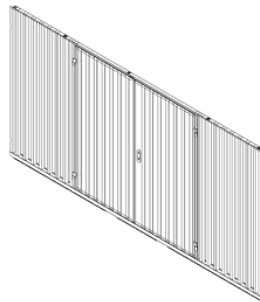
40.0420

1x



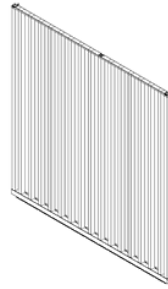
40.0430

1x



0310

6x



305.20.08

4x



305.20.09

4x

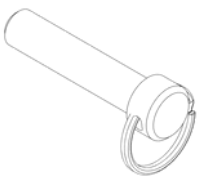


61.101

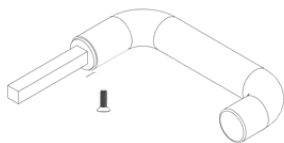
4x



36x



2x



20x



20x



20x



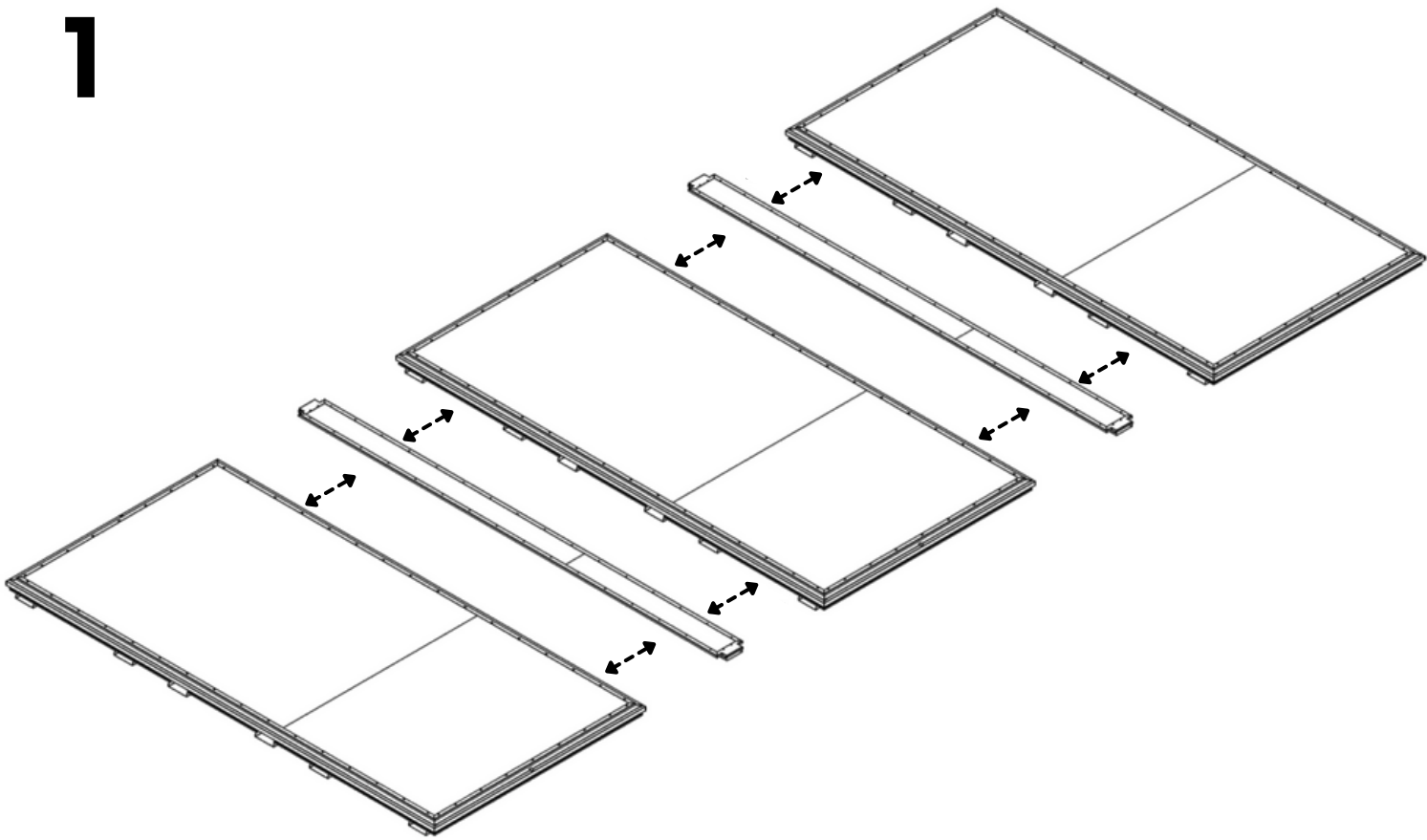
1x



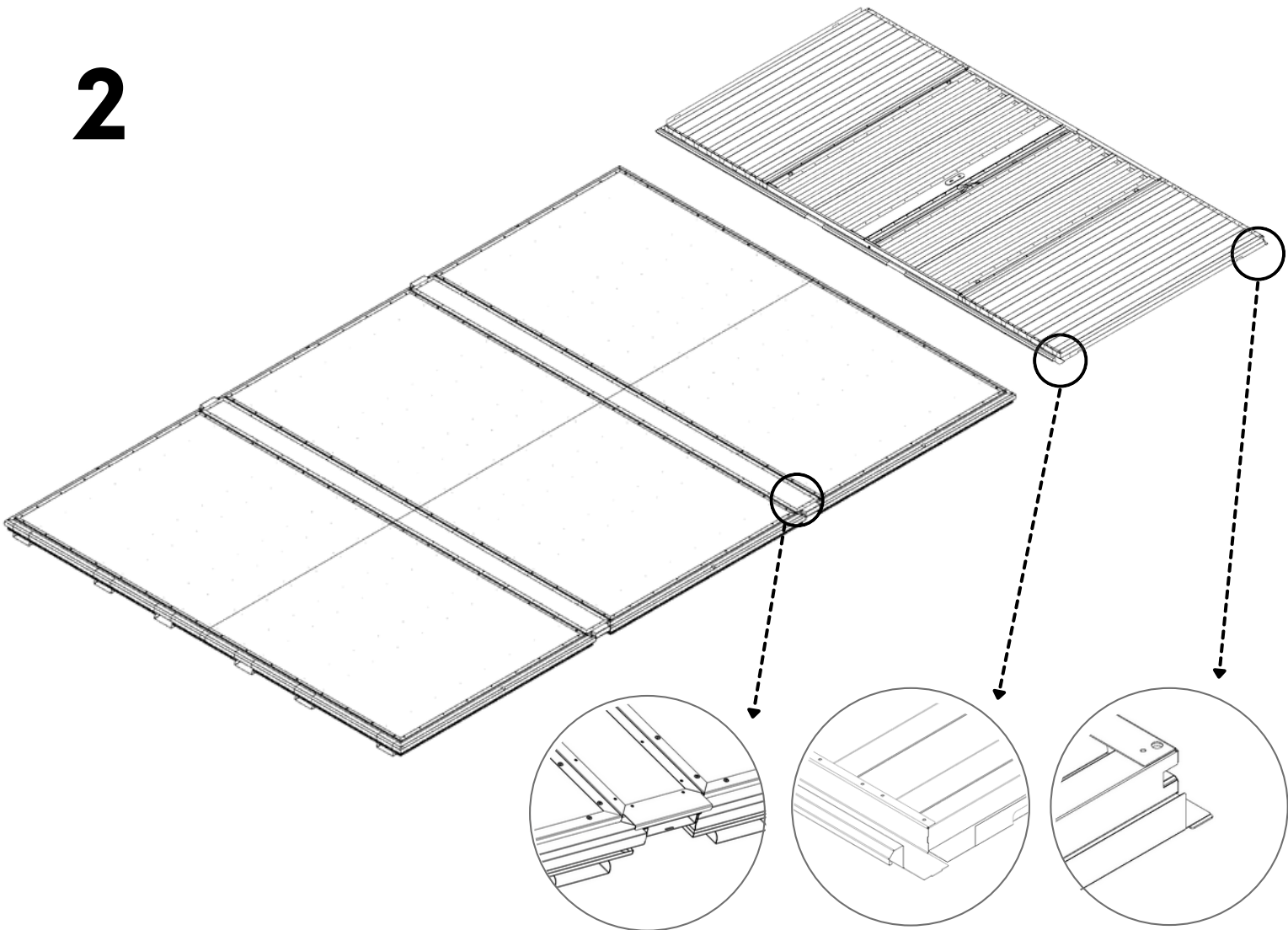
2x

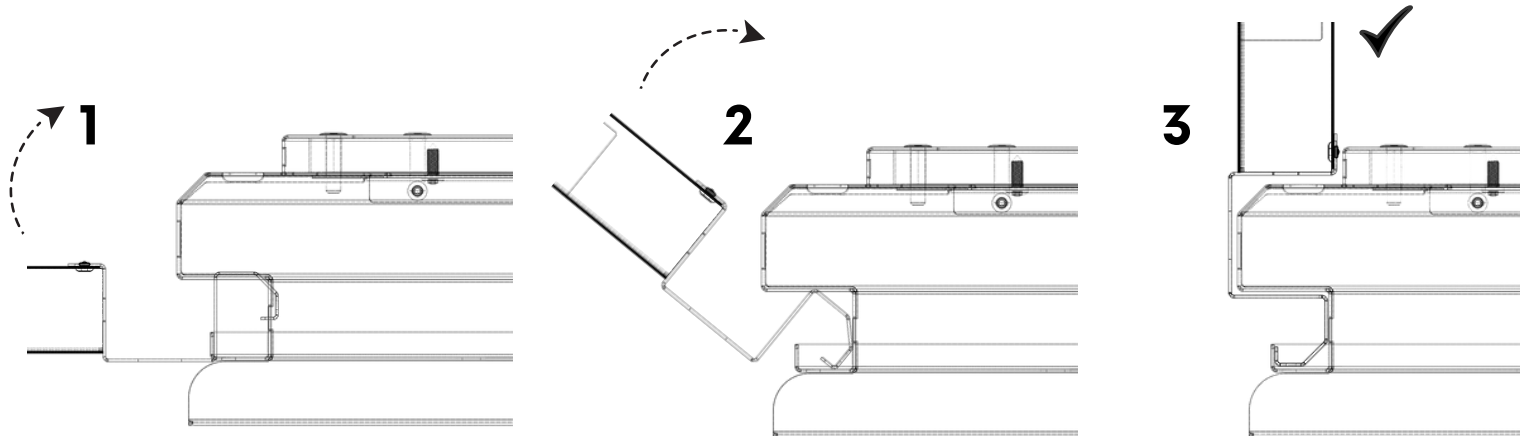


1

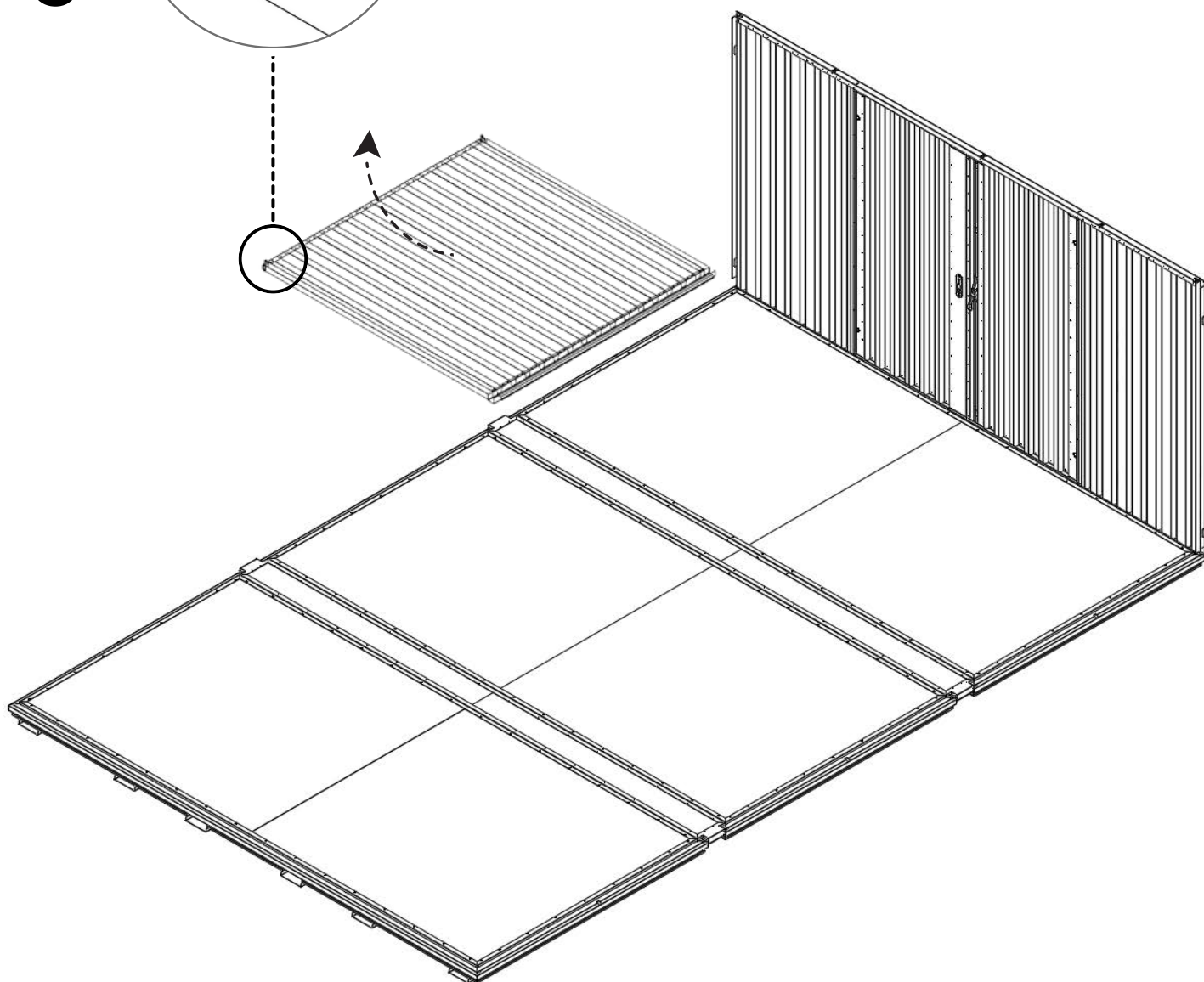
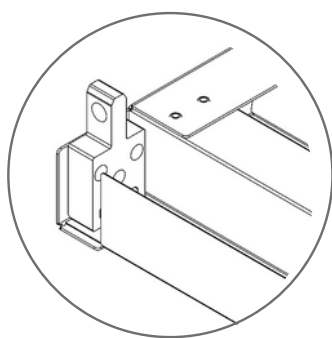


2

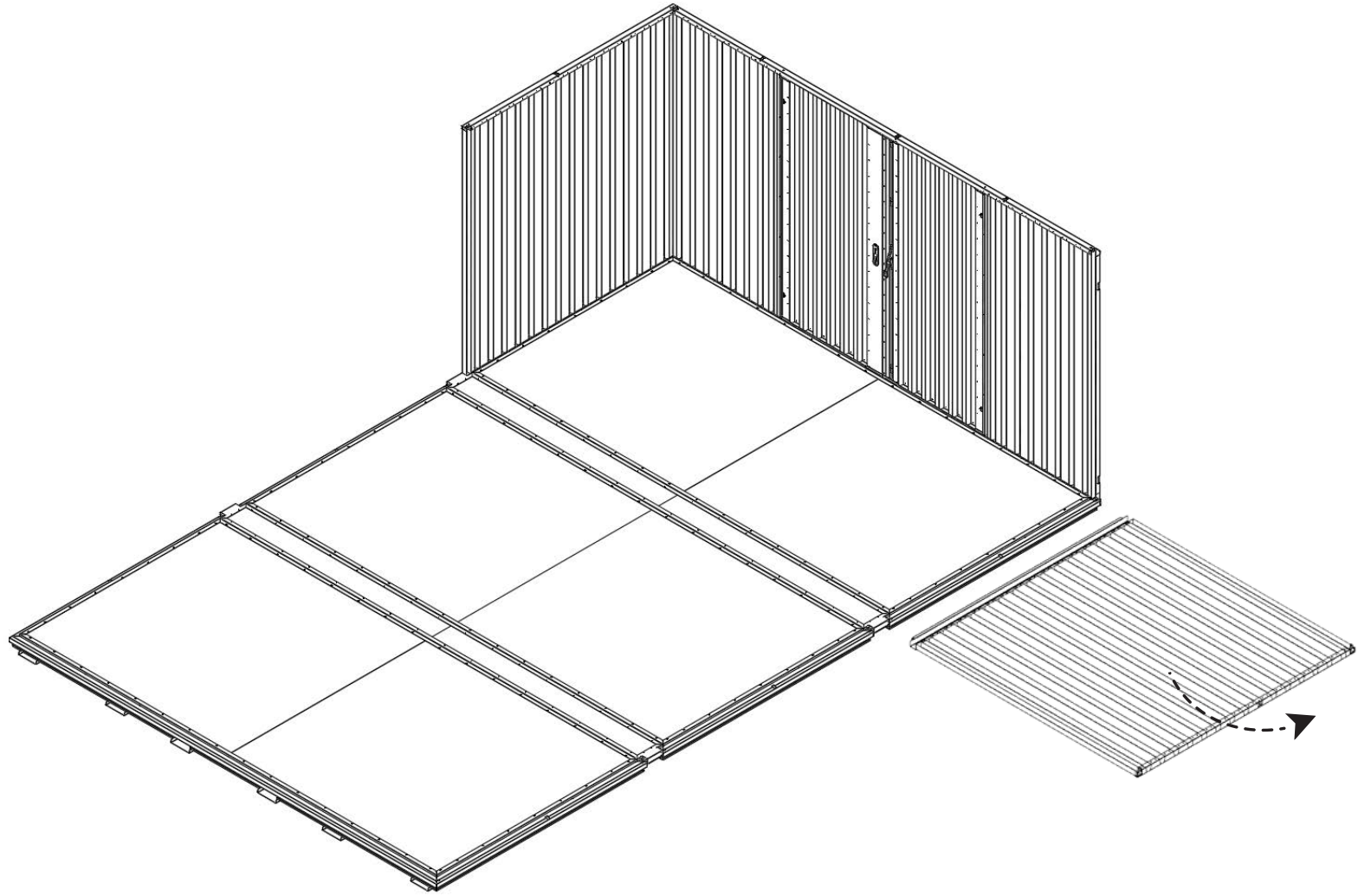




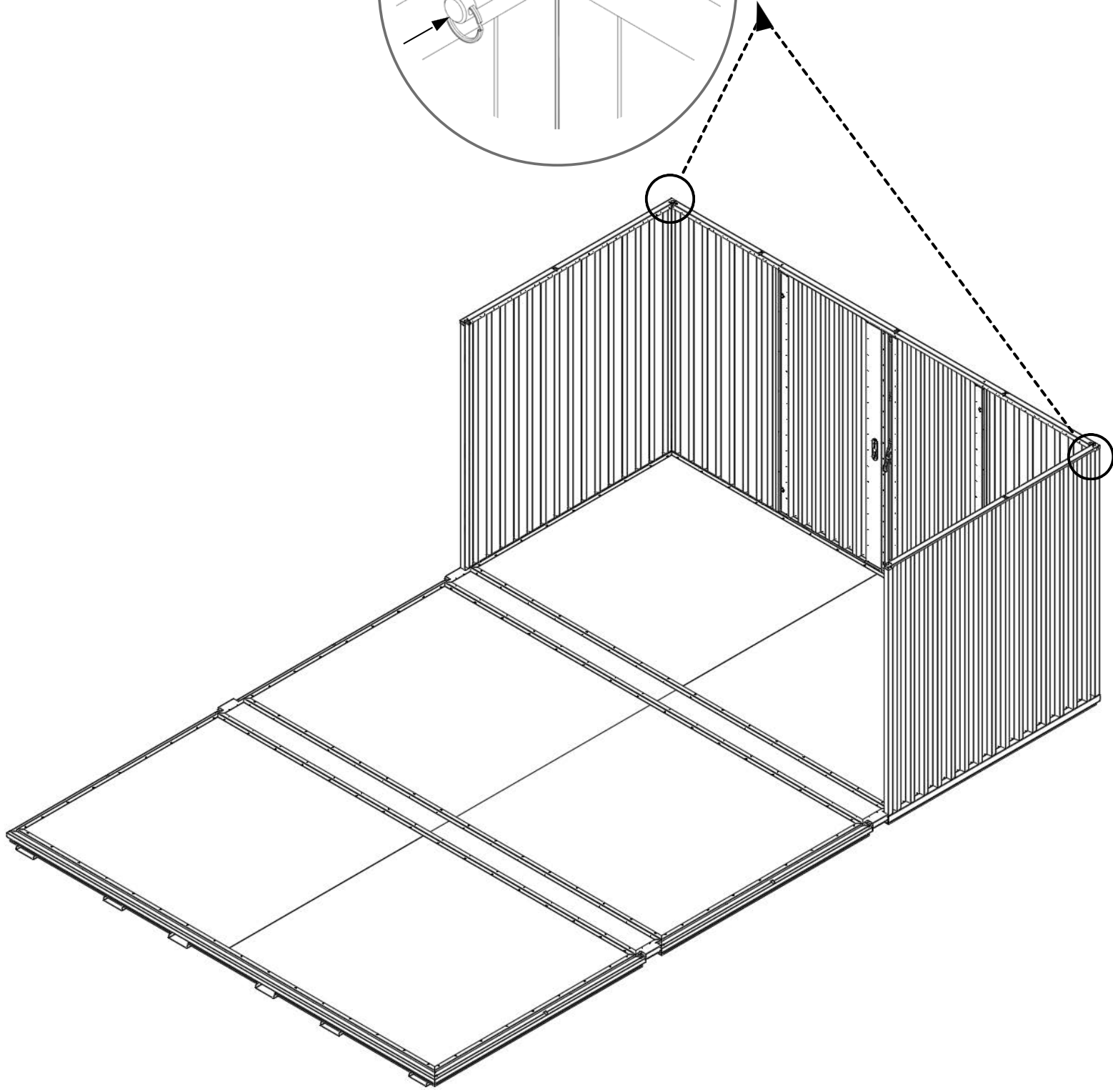
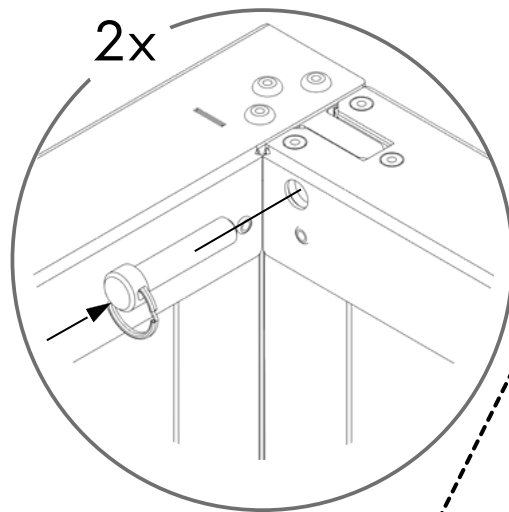
3



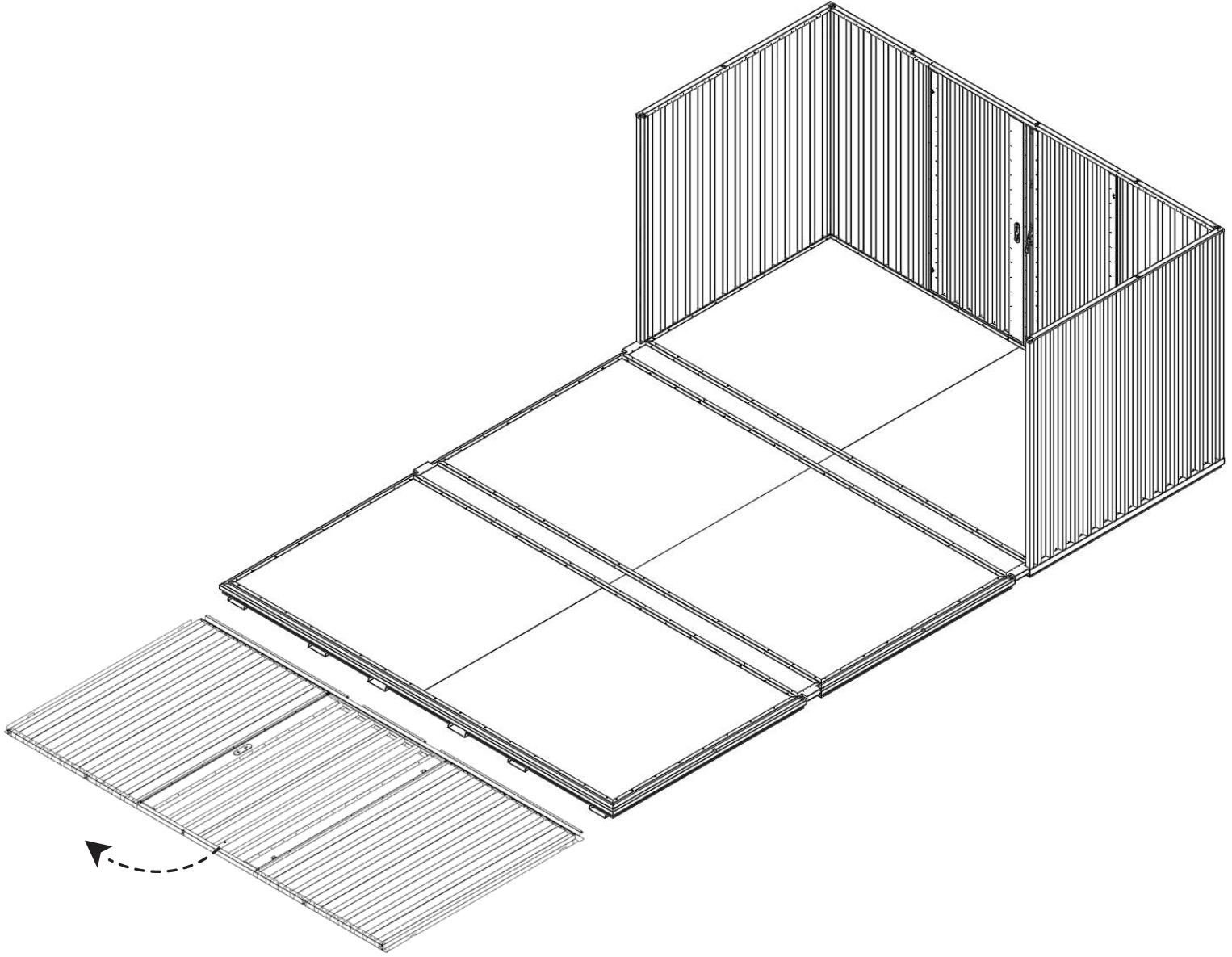
4



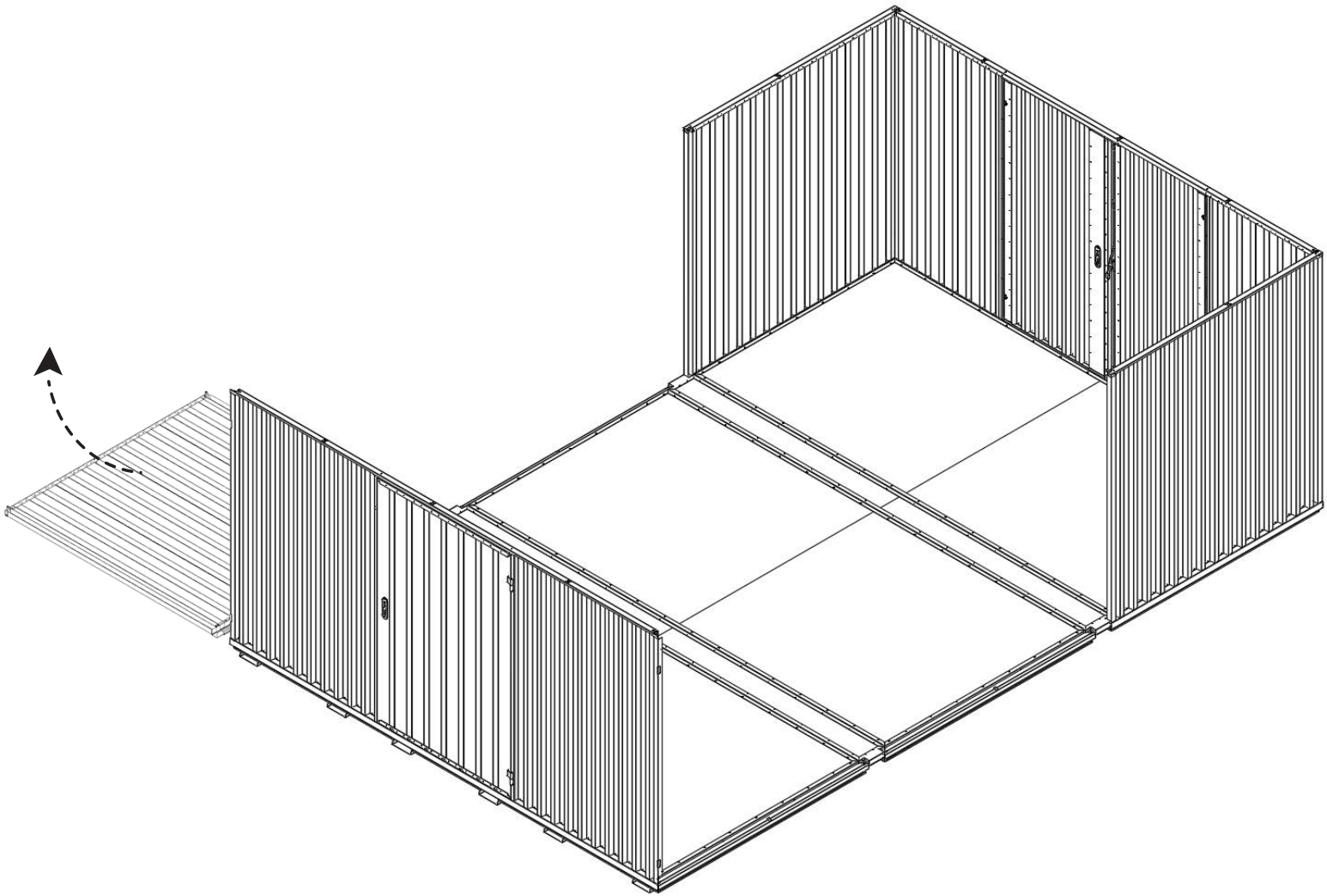
4.1



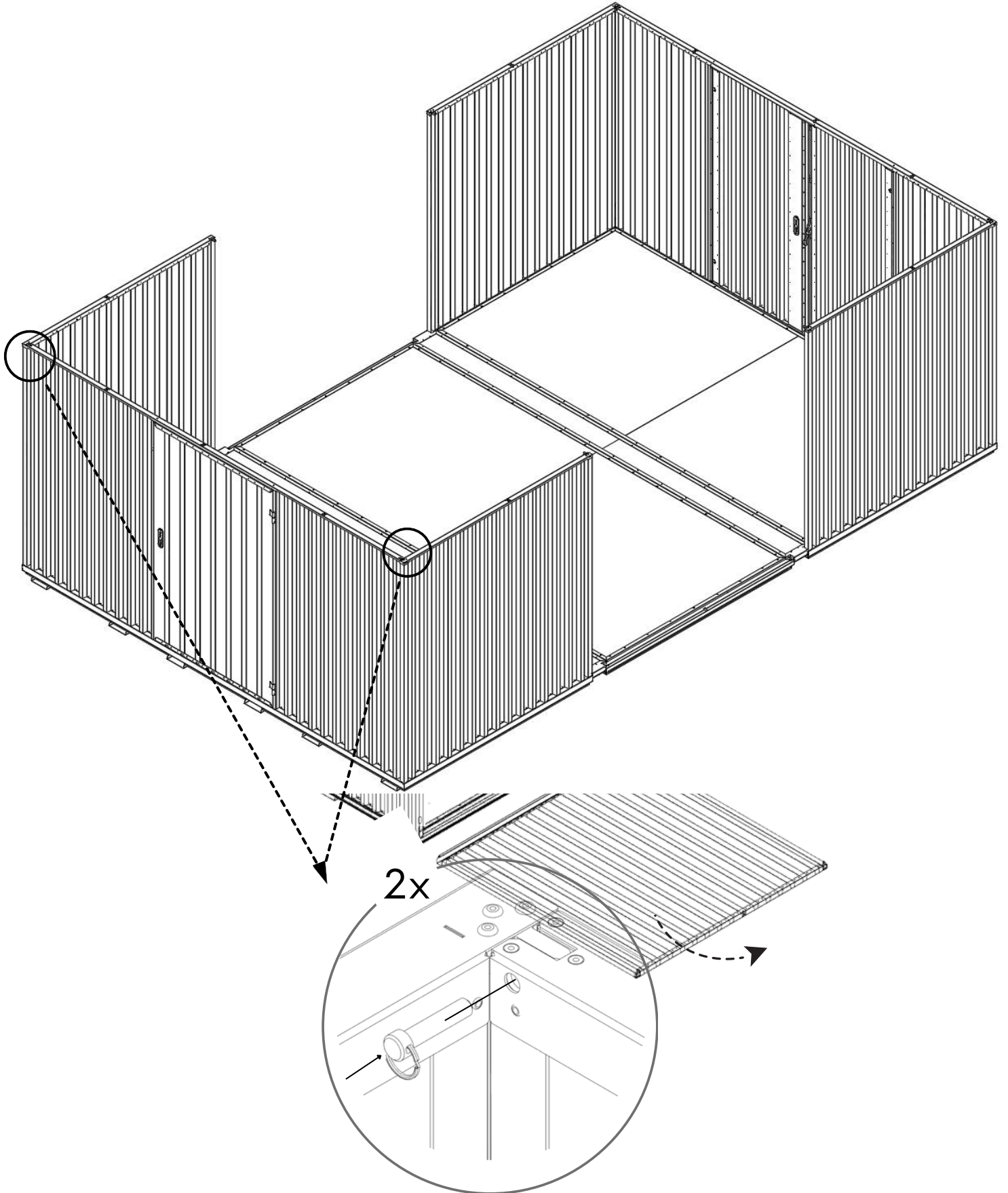
5



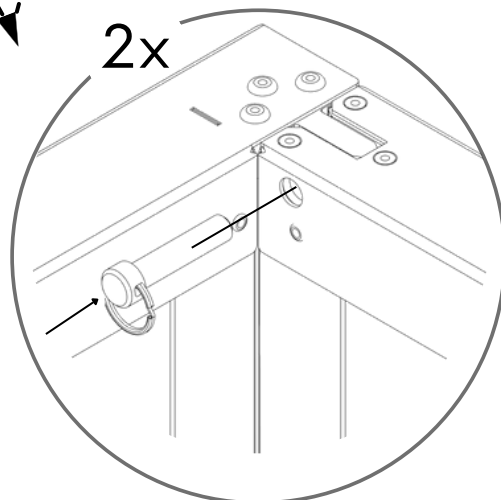
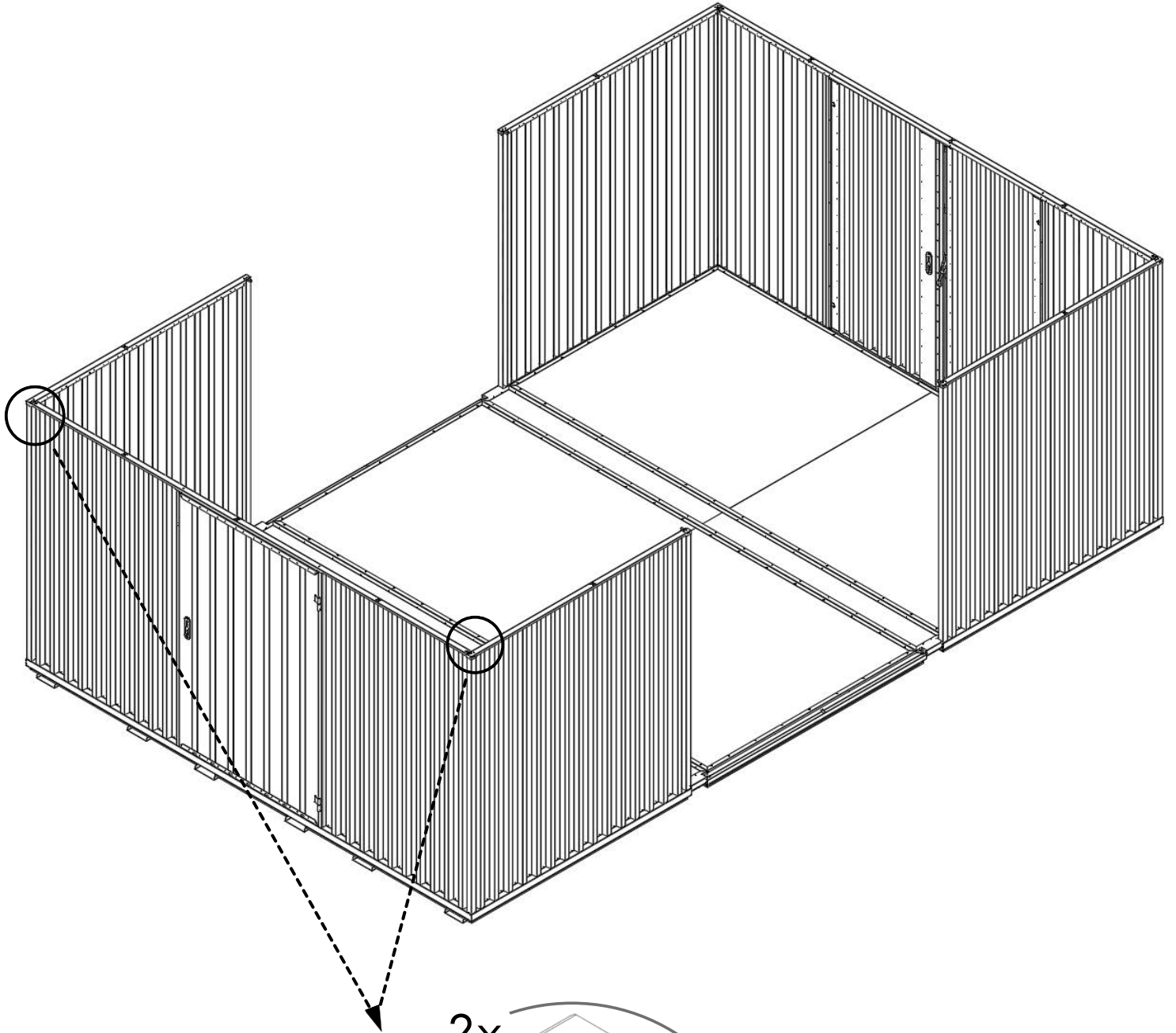
6



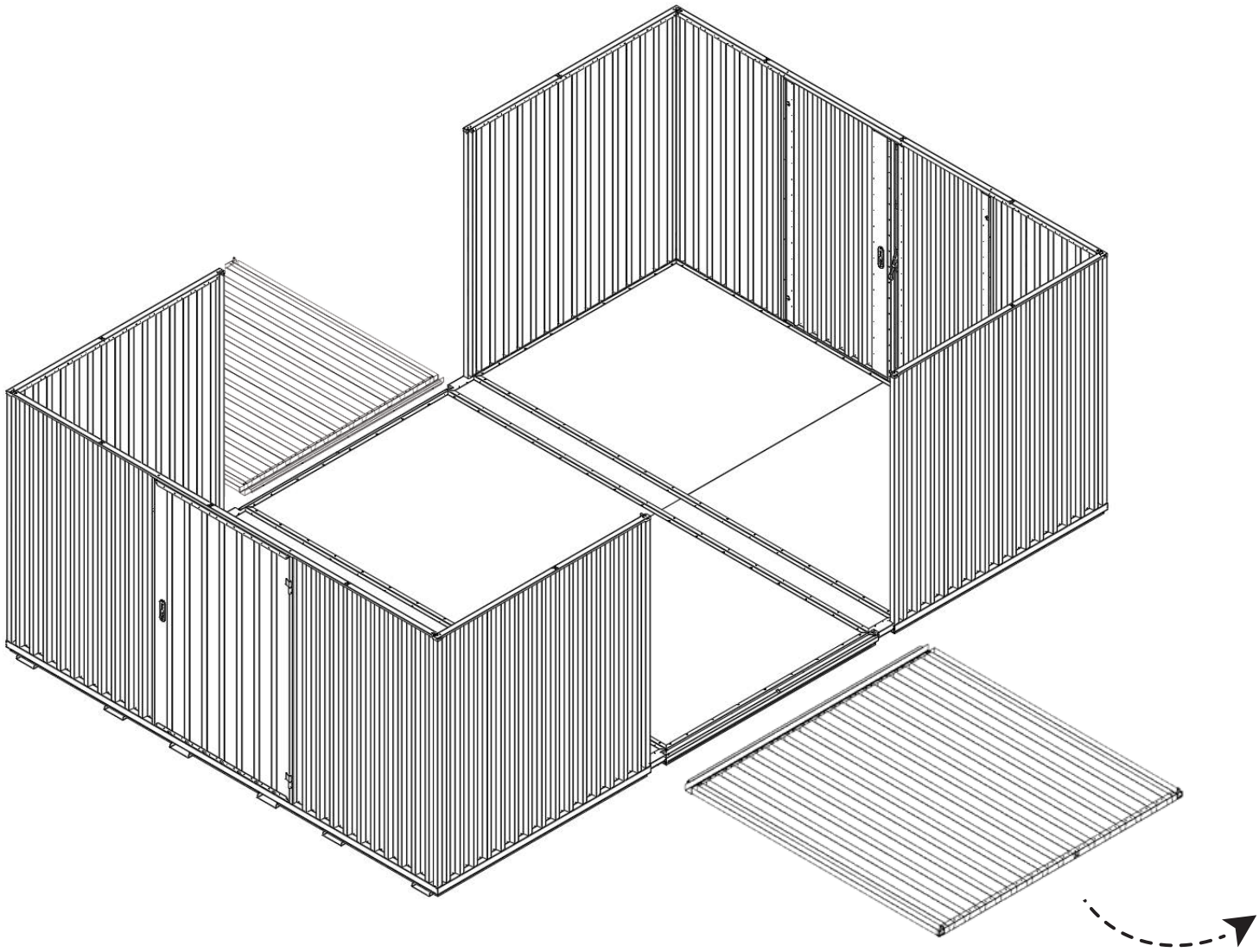
7.1



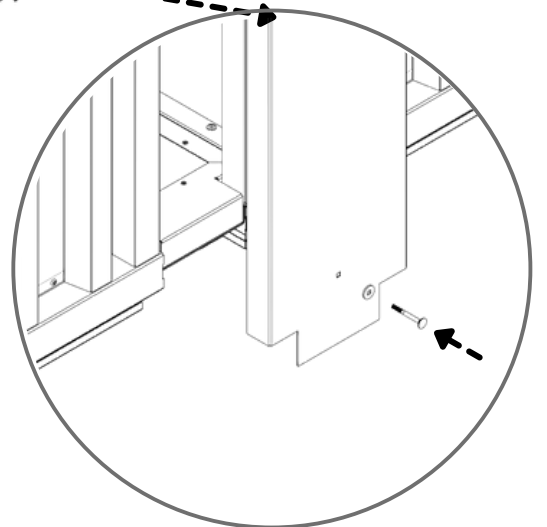
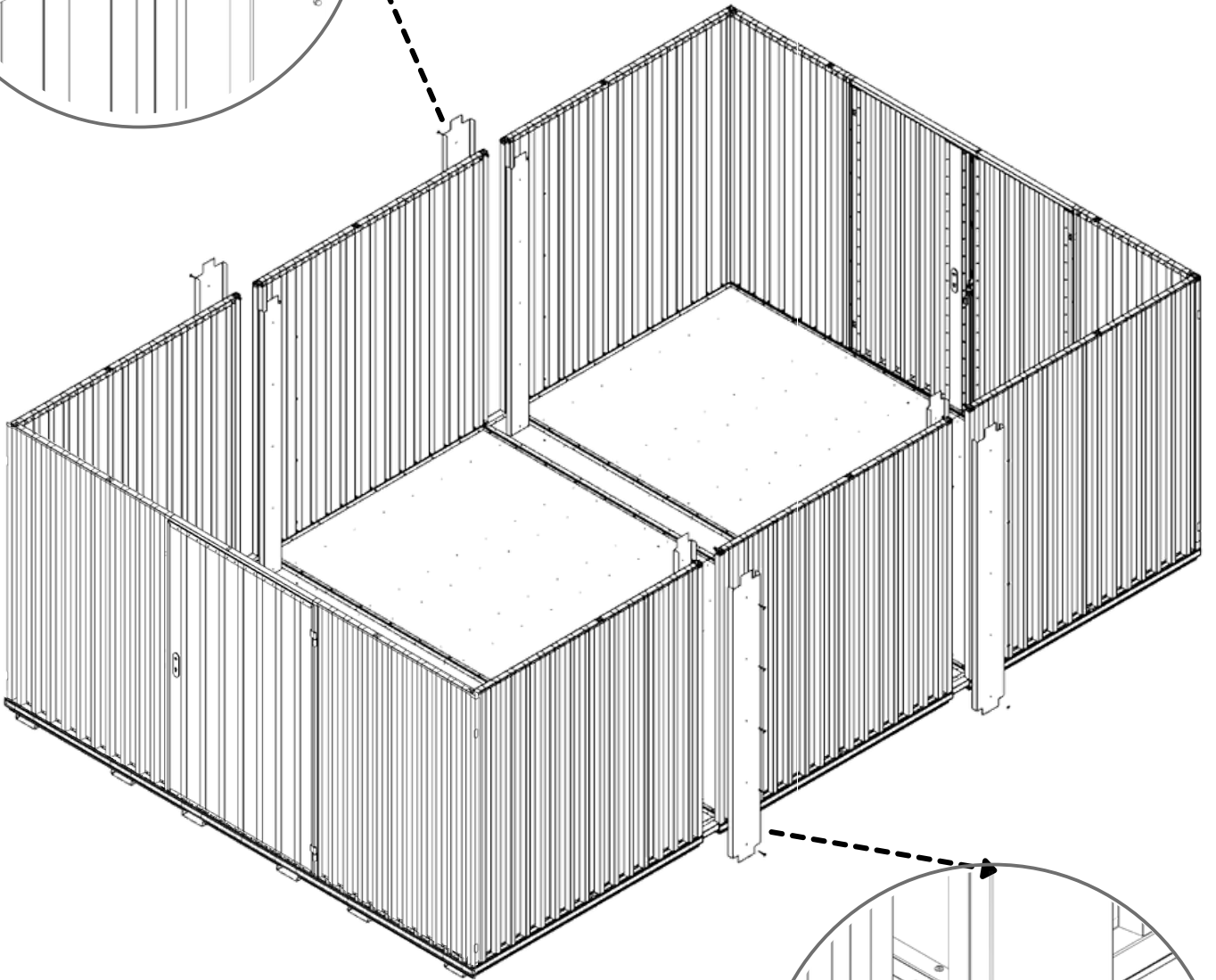
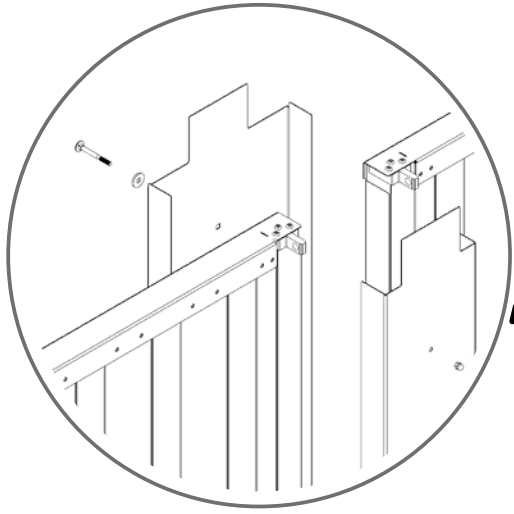
7.1



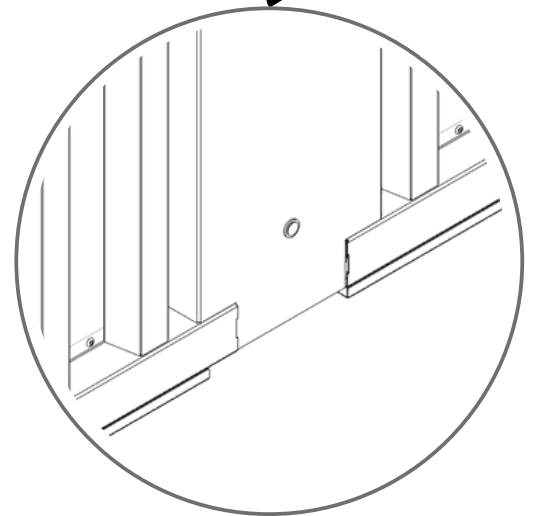
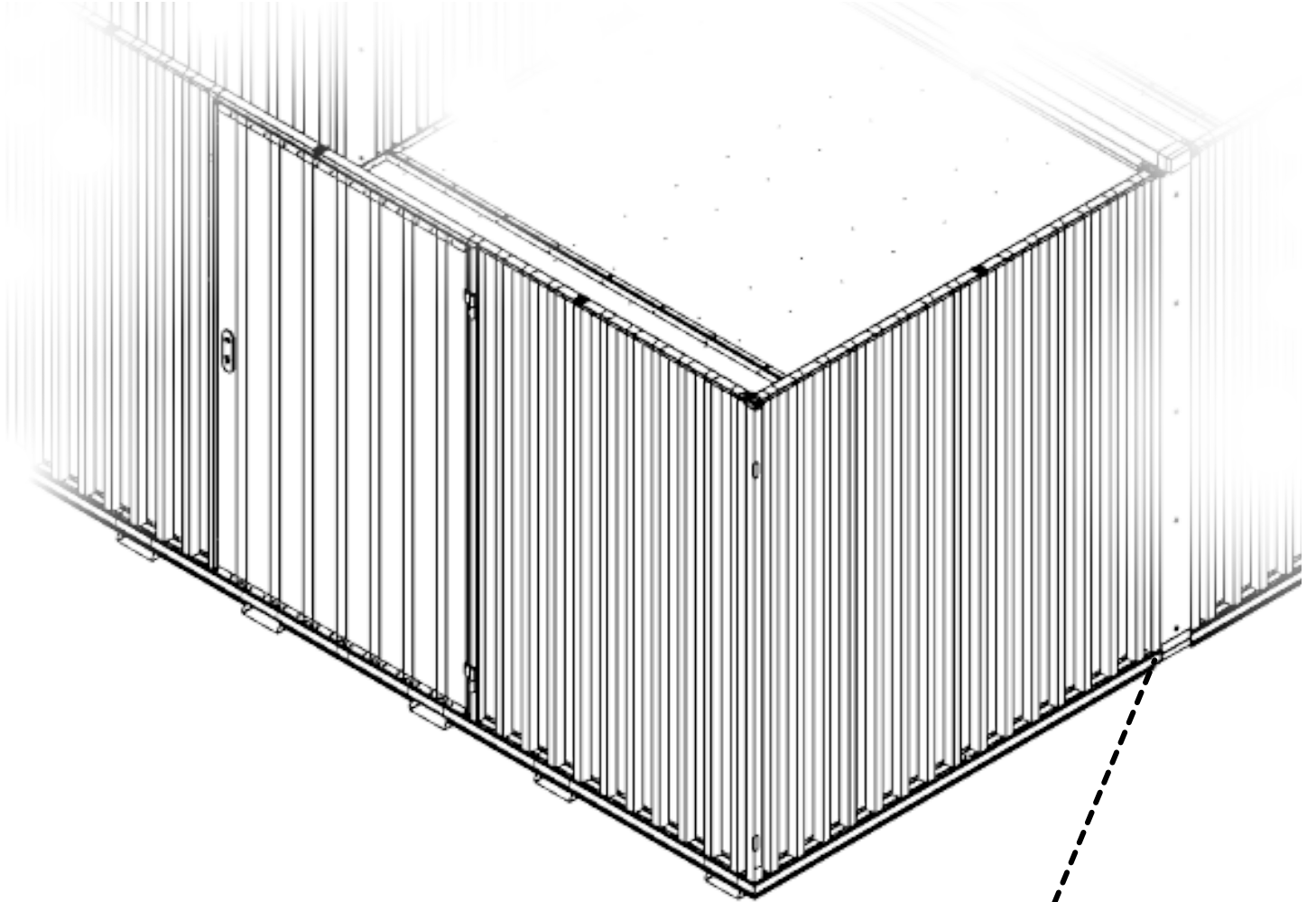
8



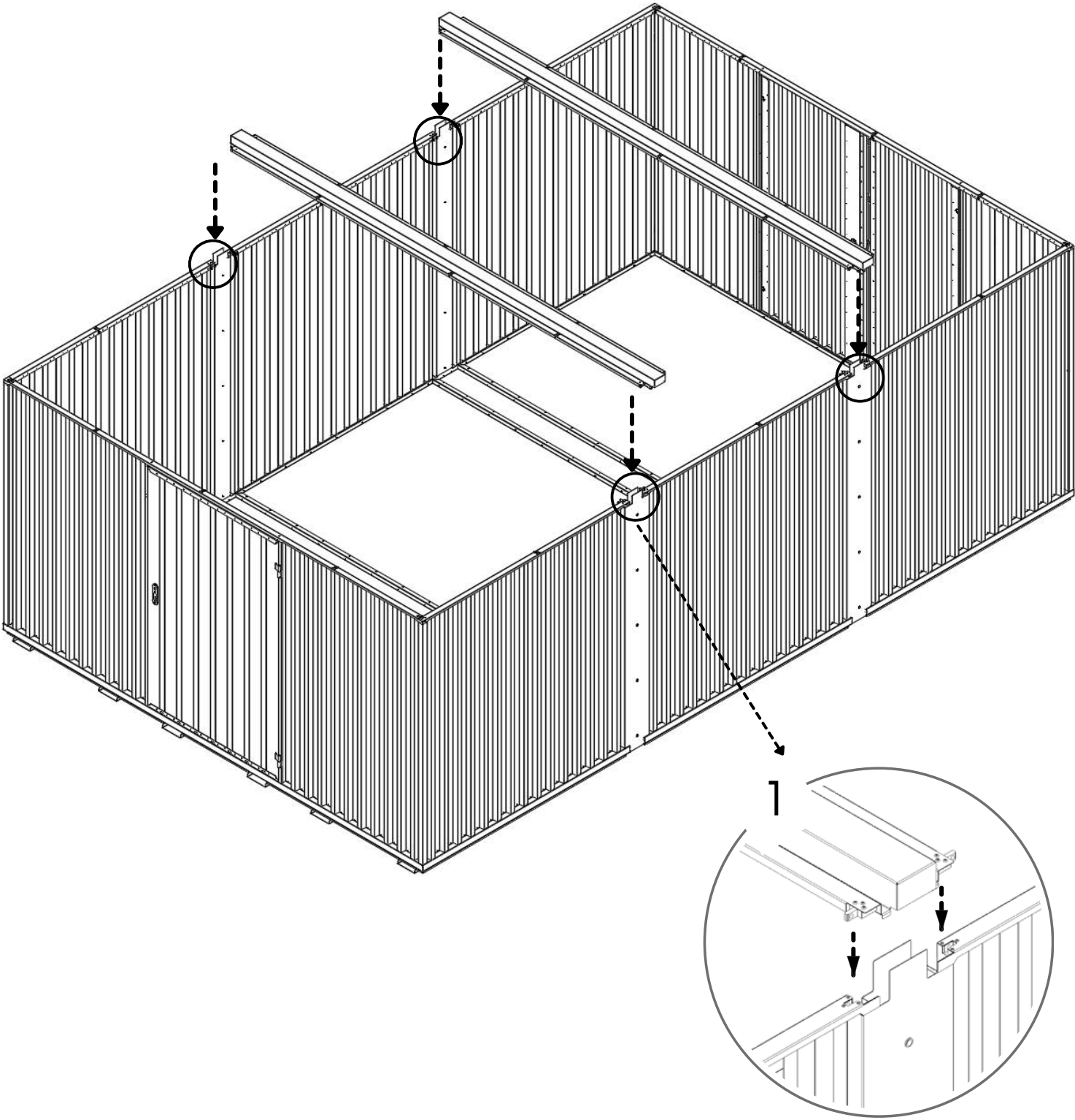
9



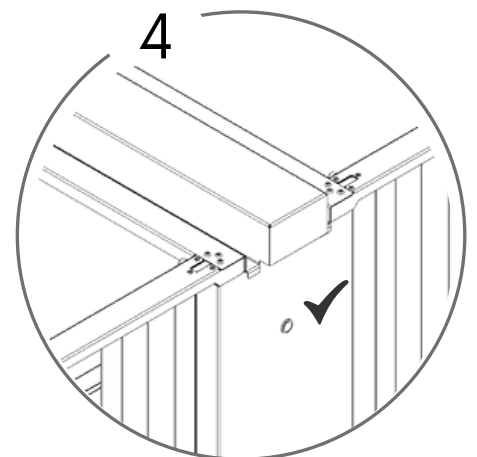
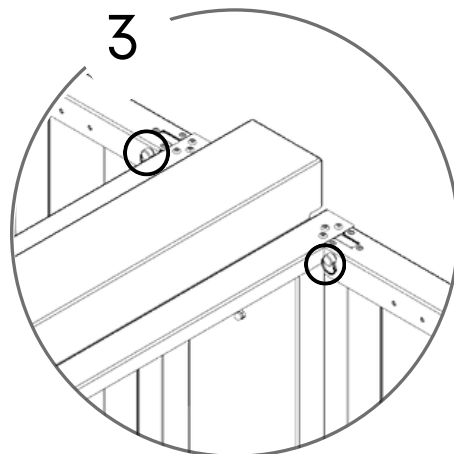
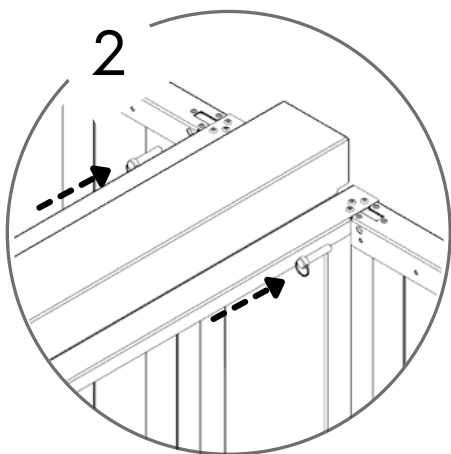
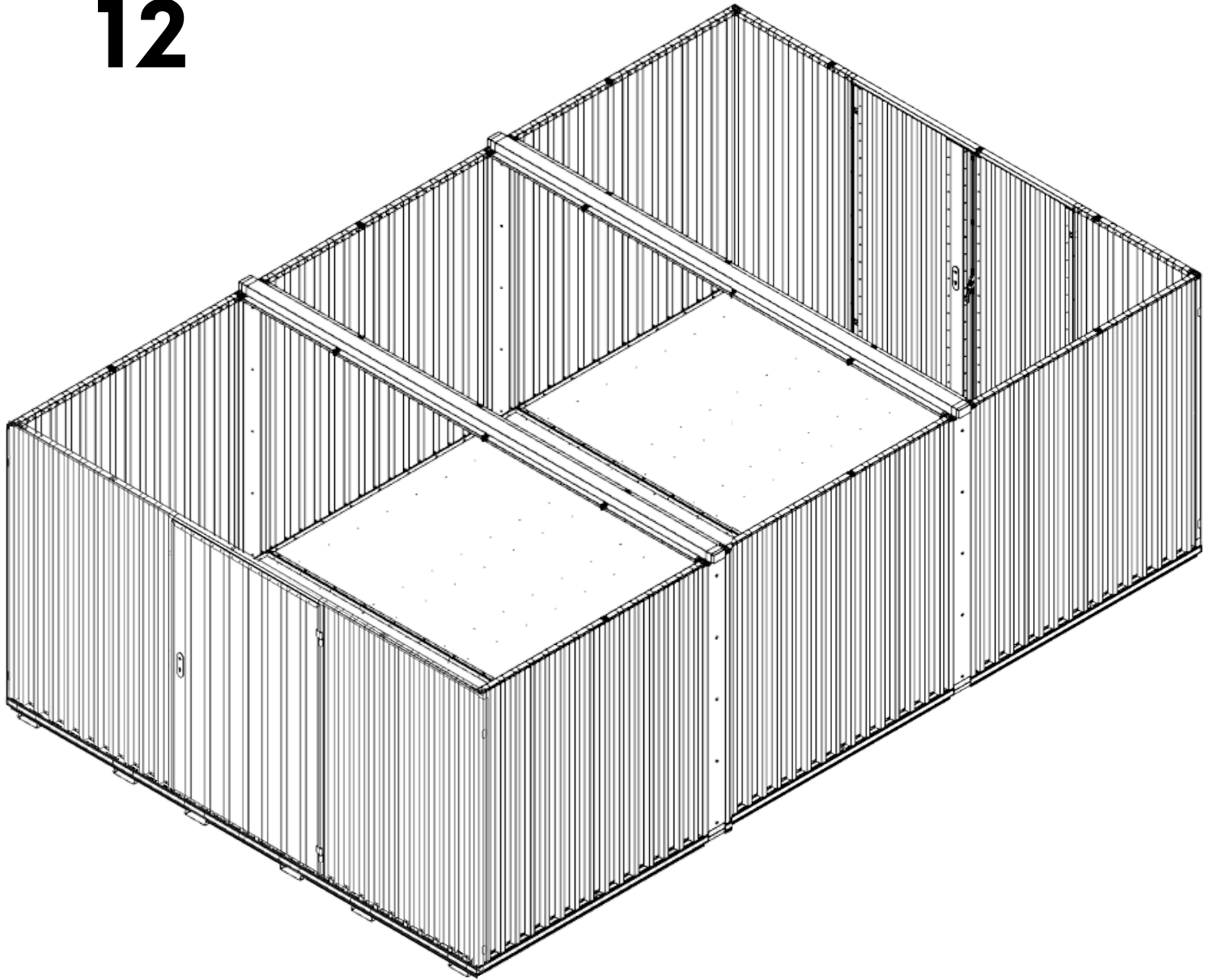
10











11

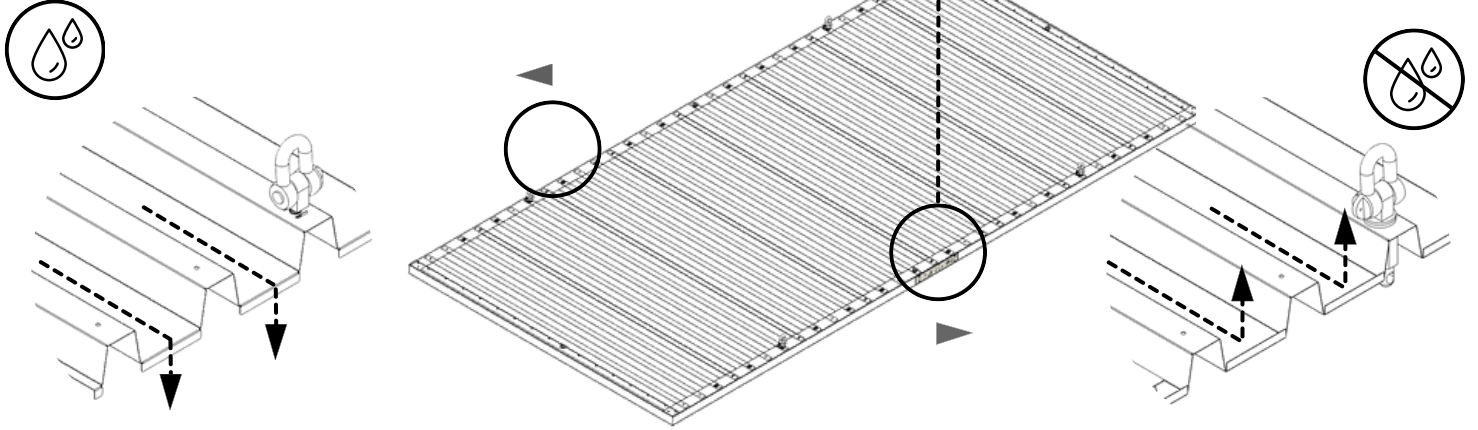


12

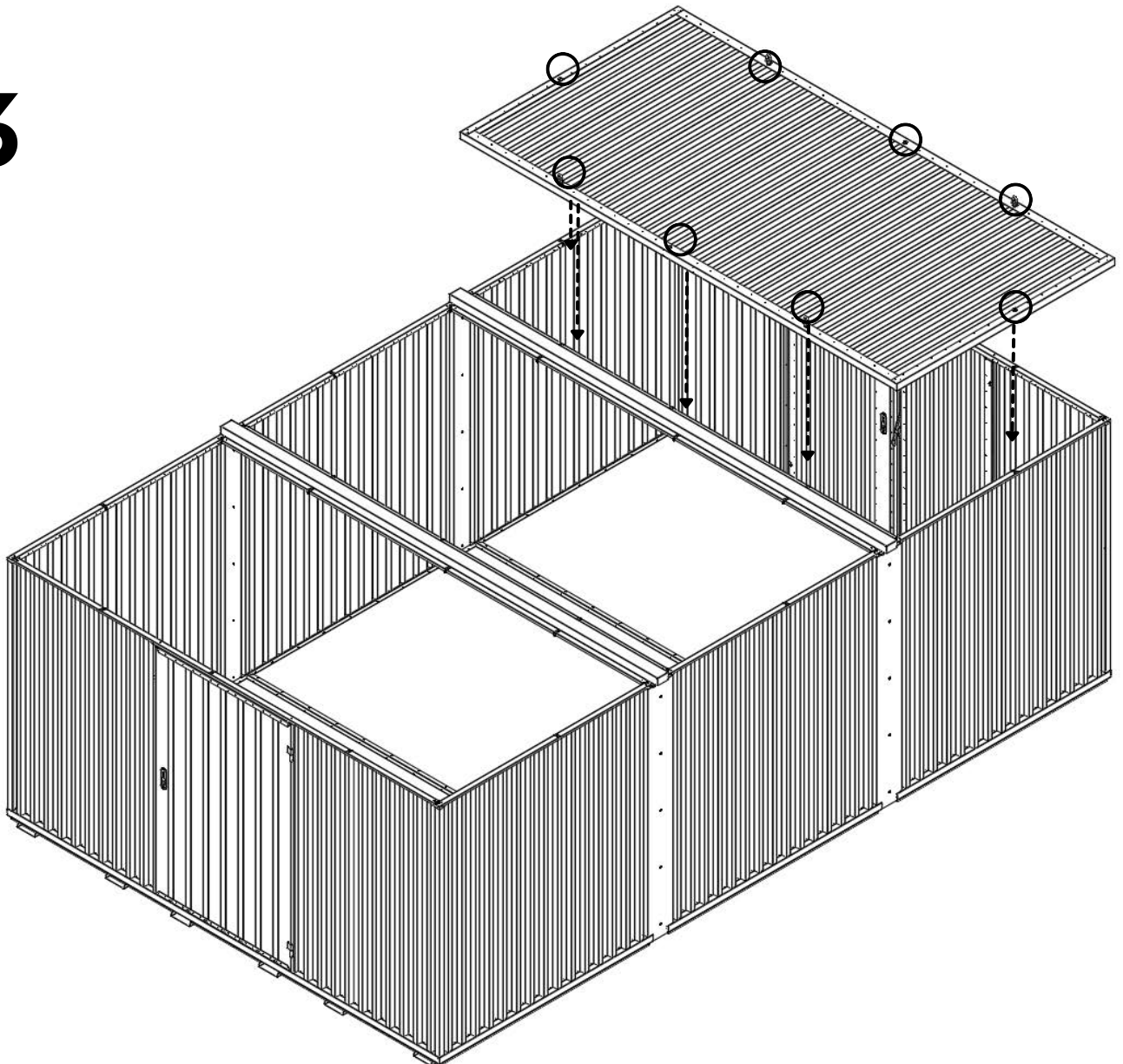




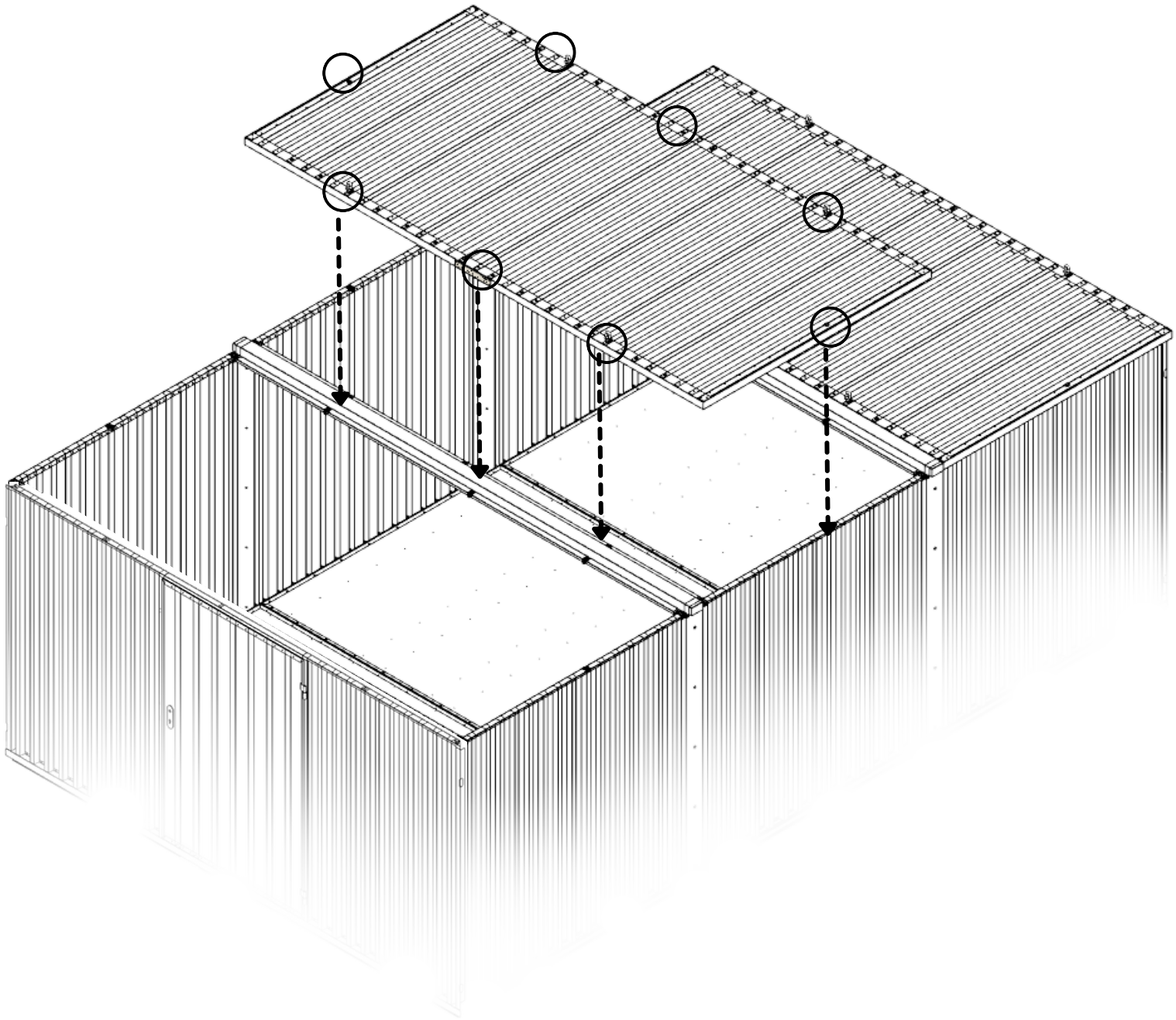
 1114 KG	 1640 MM	Model Code: 4044.110.420.431 Production Tracking Code:/X09.1.4044.420.431  9001  14001  50001	 	
--	--	---	---	---



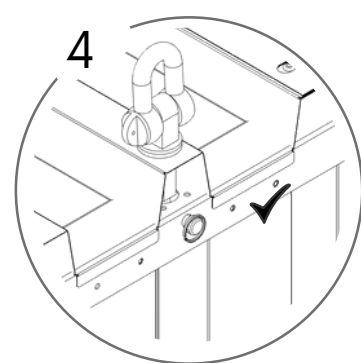
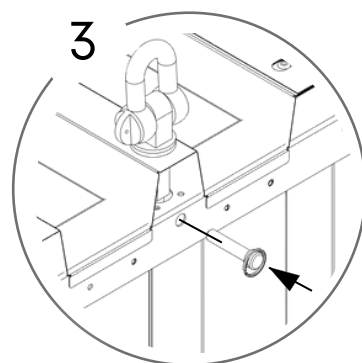
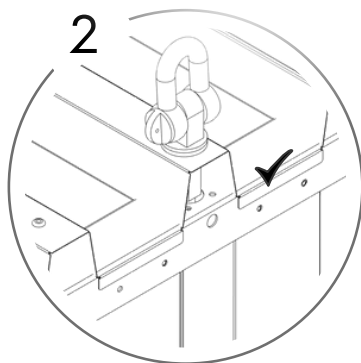
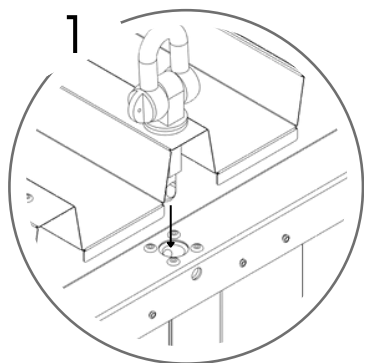
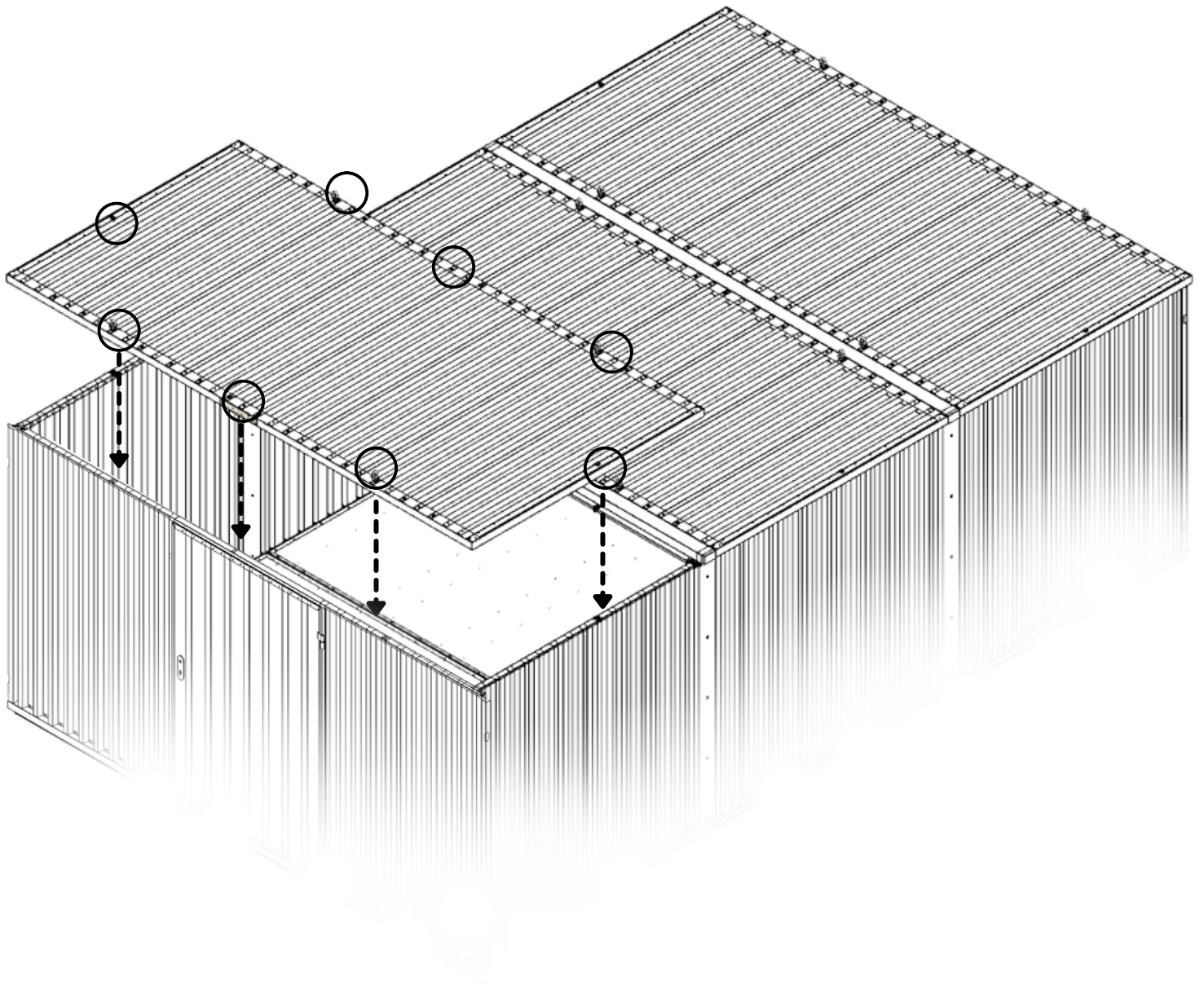
13



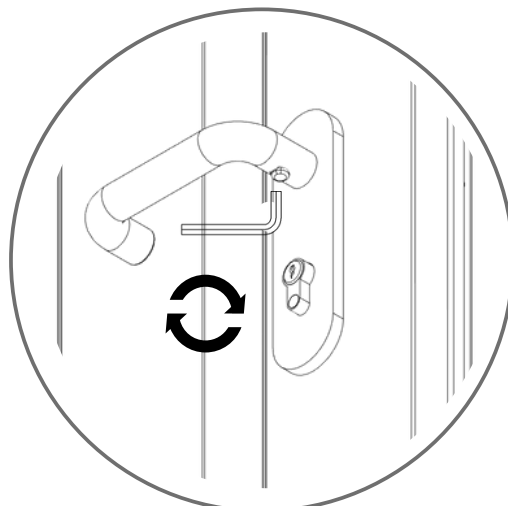
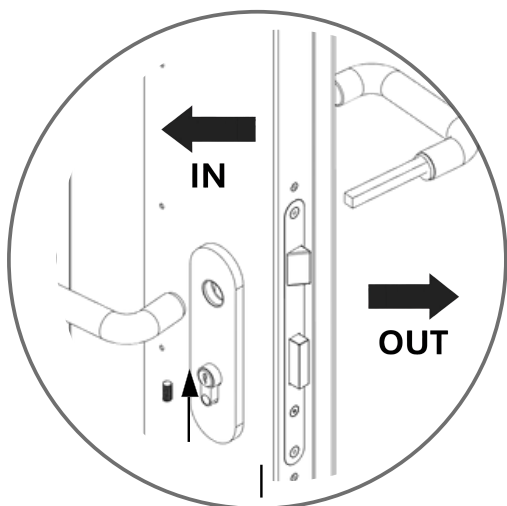
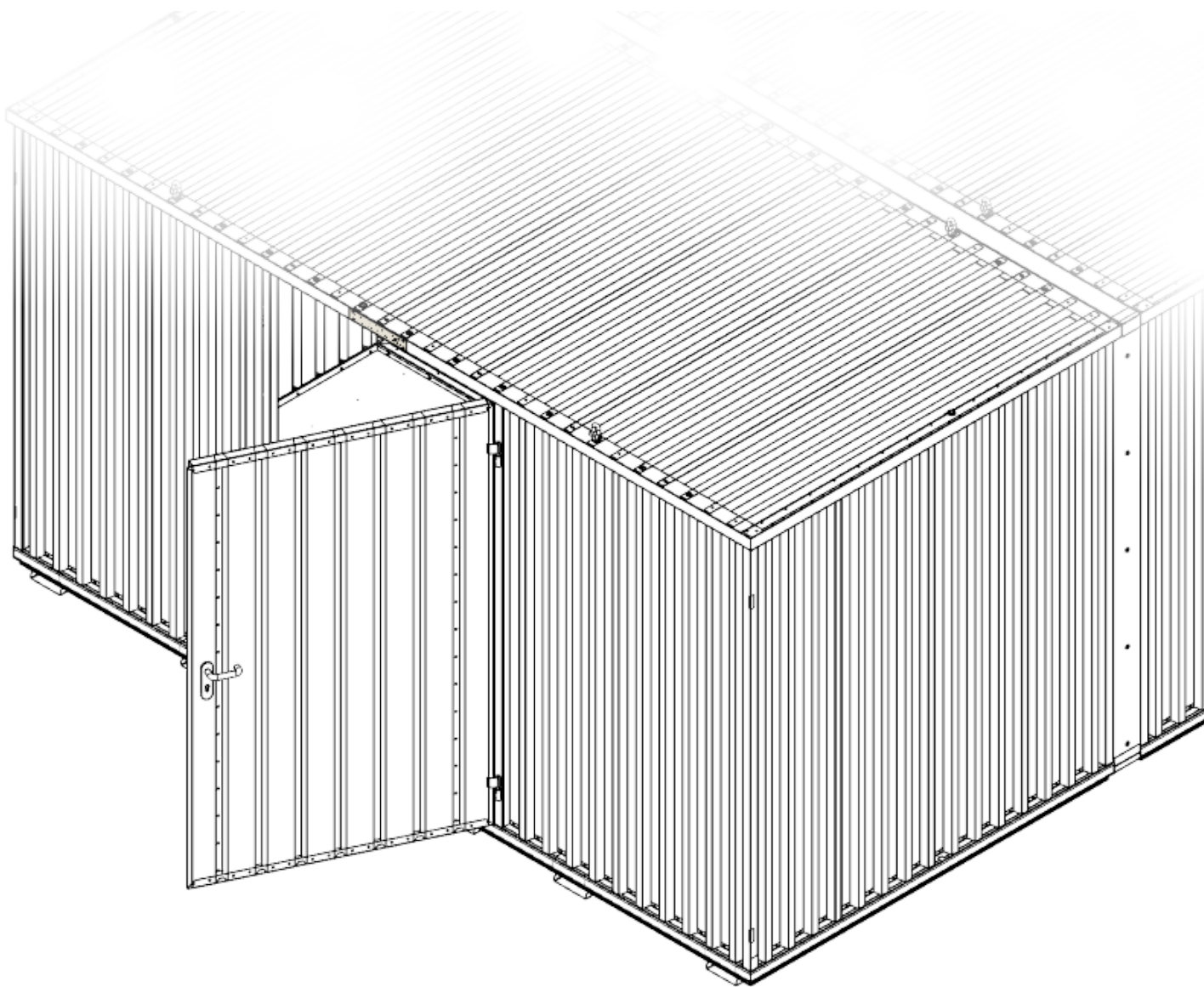
14



15



16



17

