

**PRODUCT CODE 30.110.320.321**

**prefabase**  
Quick Build Solutions

Instructions and User Guide



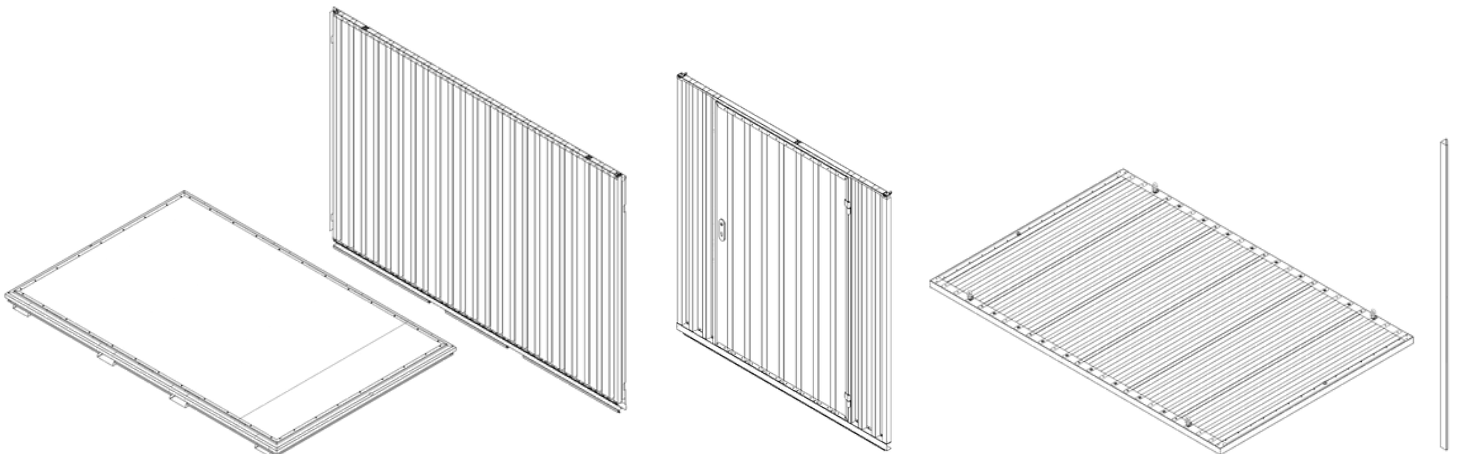
30.0110  
1x

30.0410  
2x

0210/0320  
2x

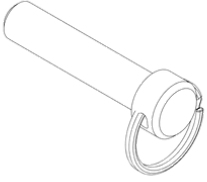
30.0510  
1x

0099.61.101  
4x

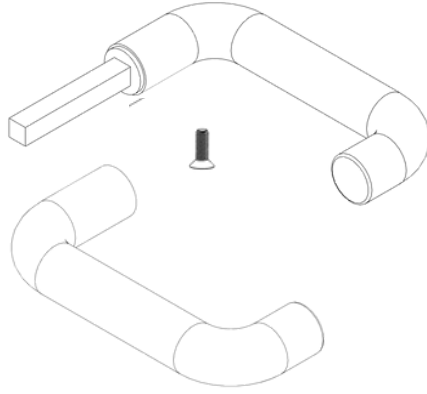




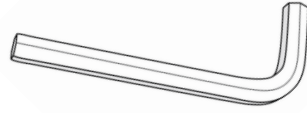
10x



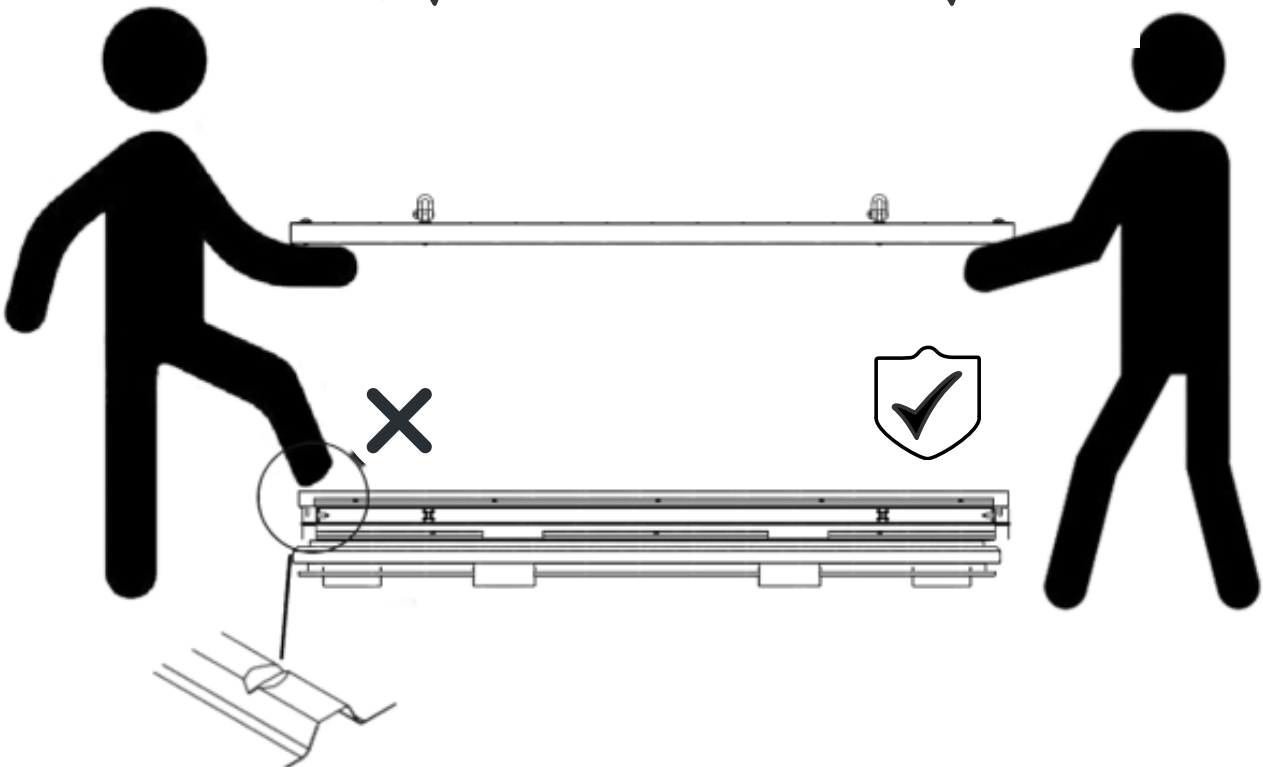
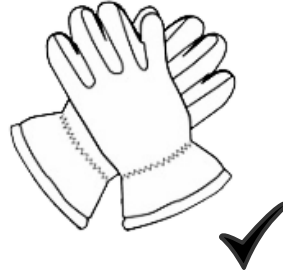
2x



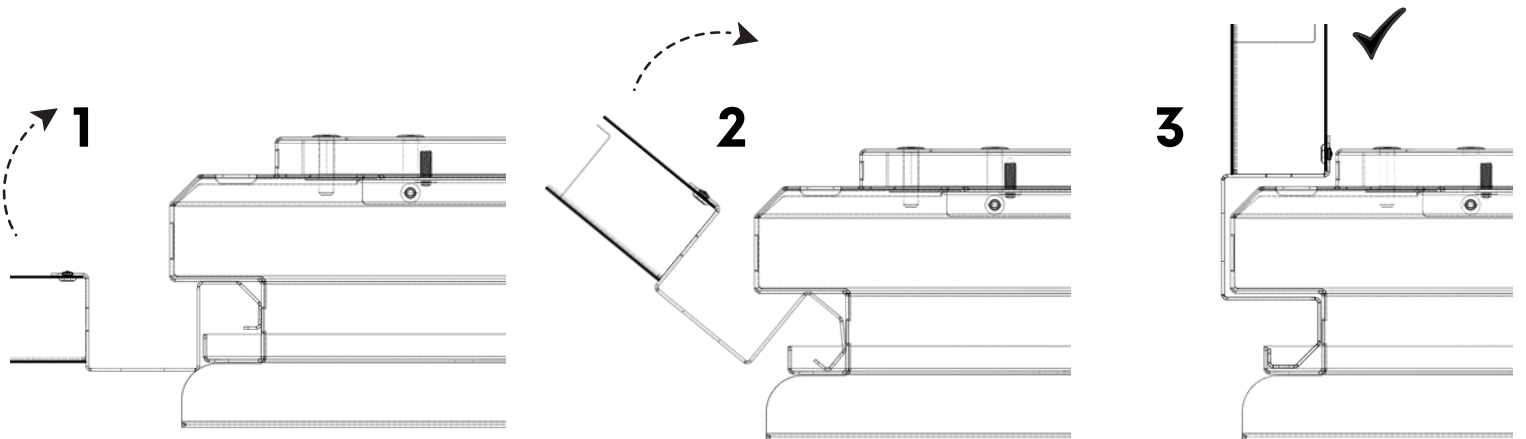
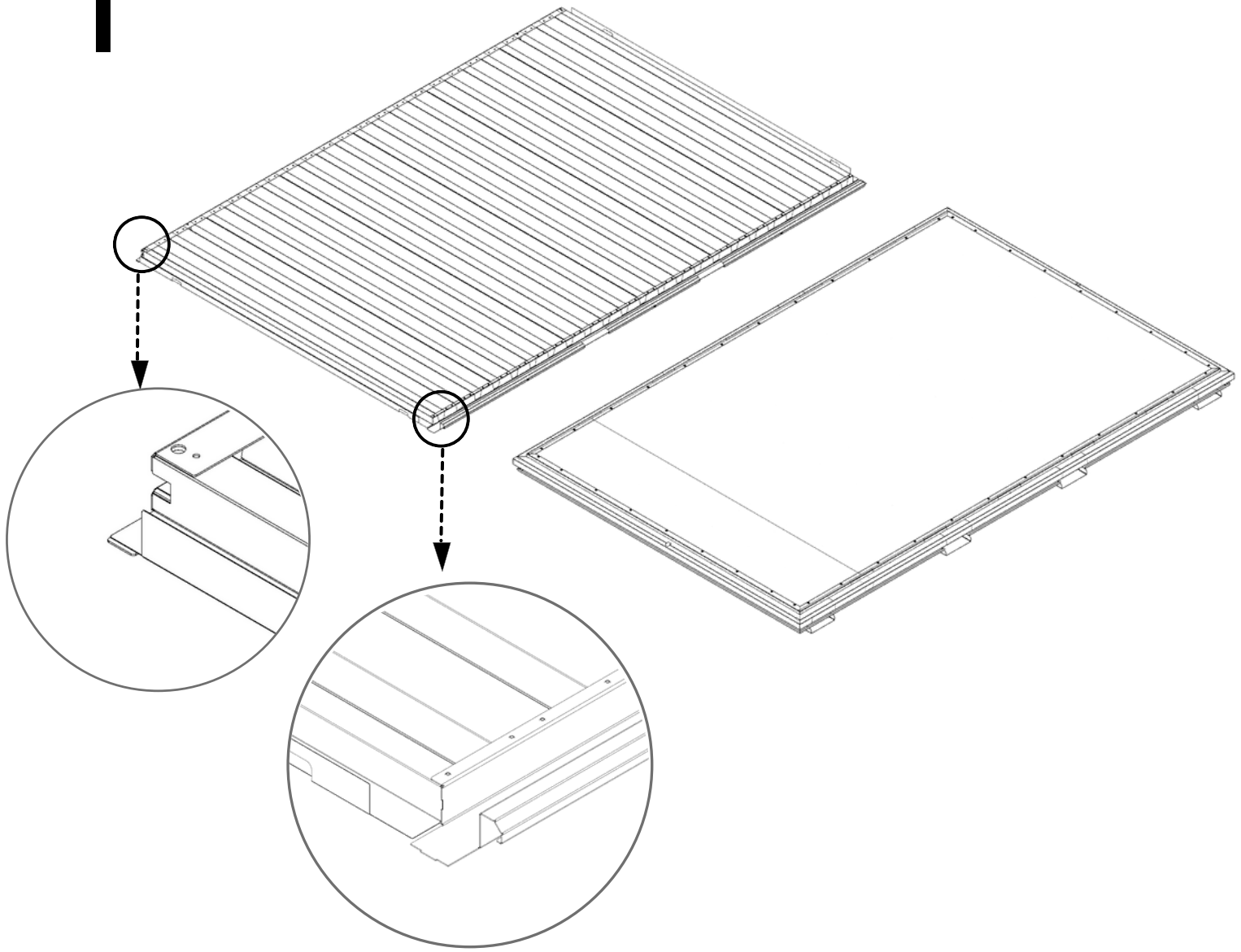
1x



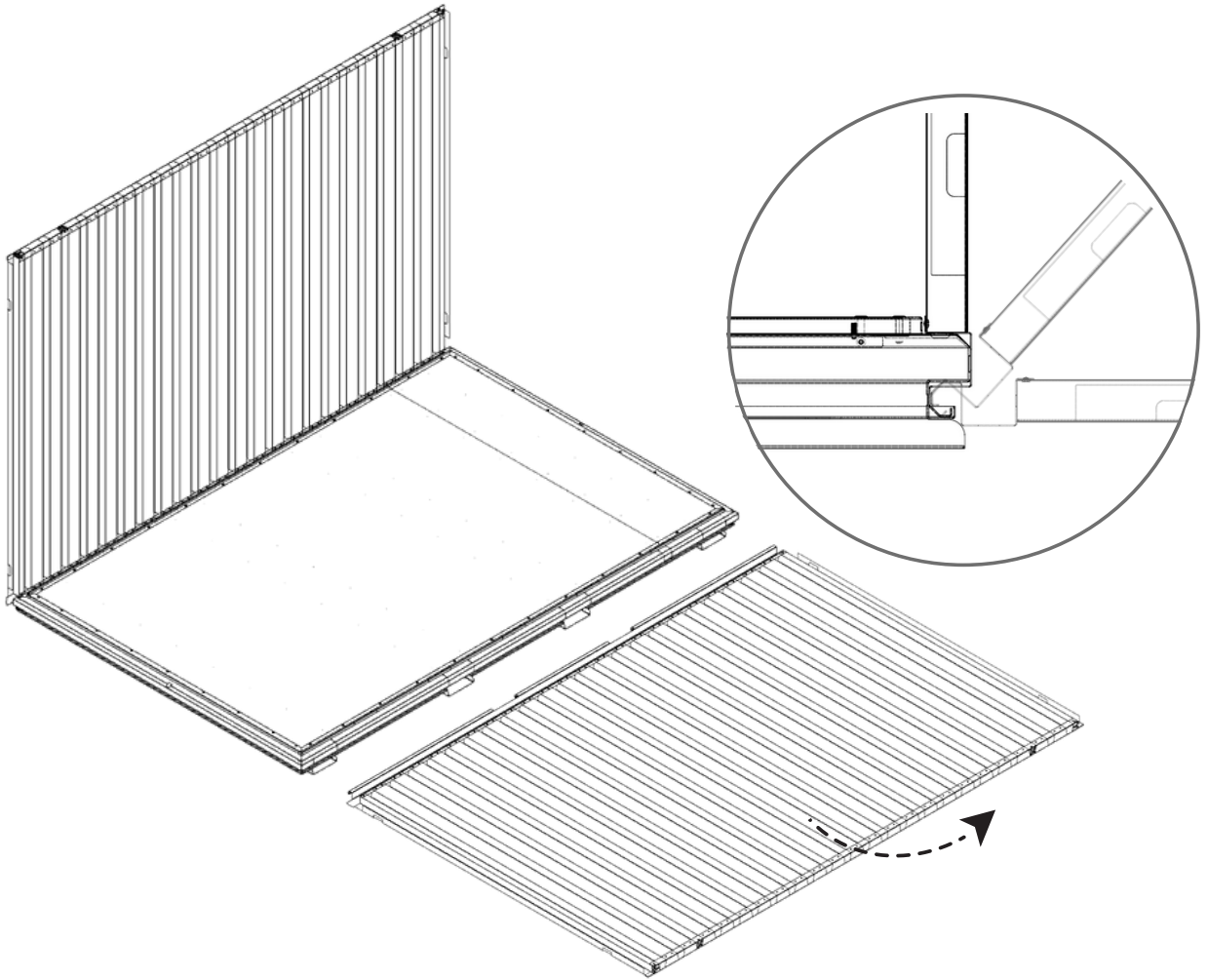
2x



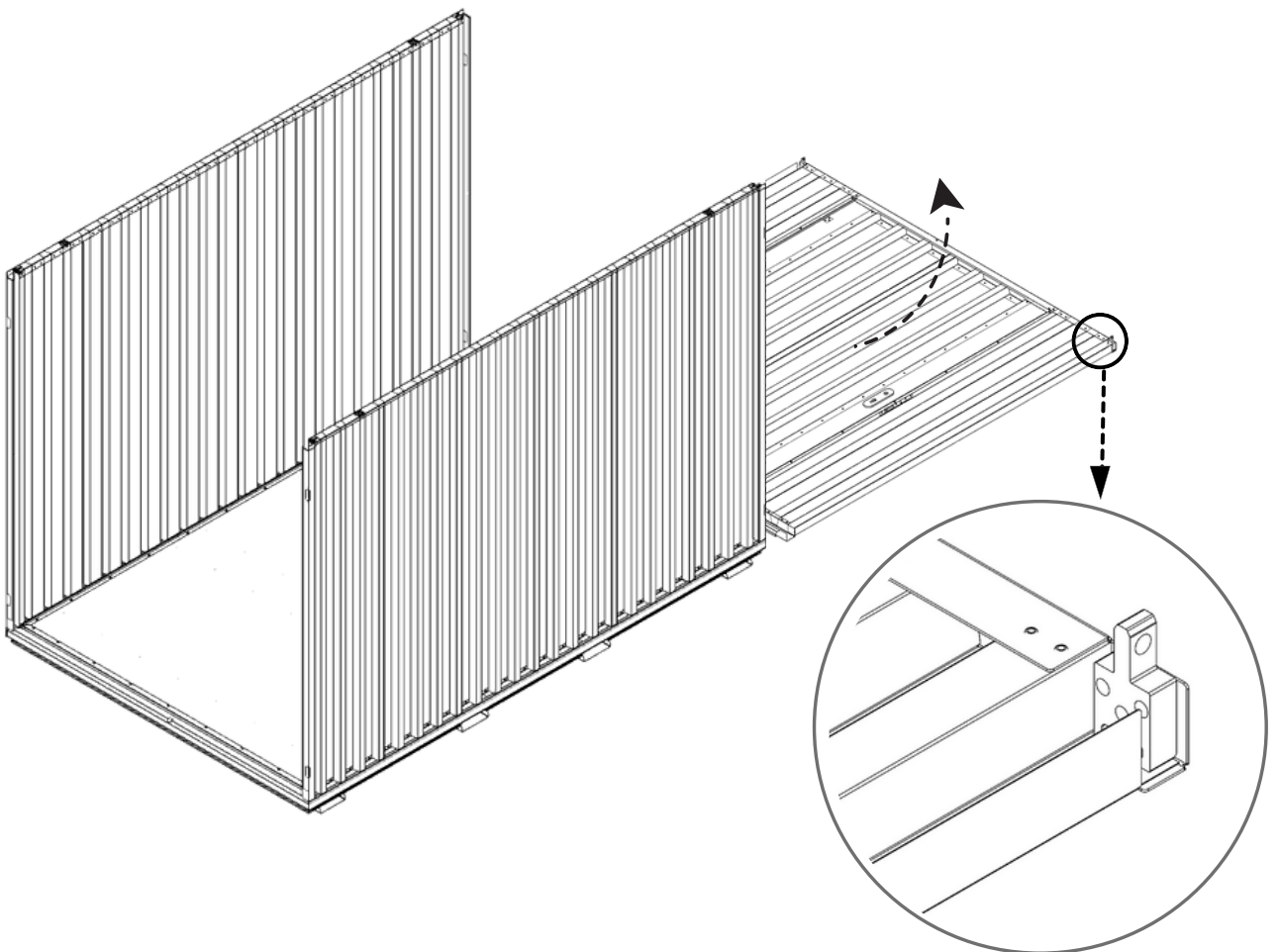
# 1



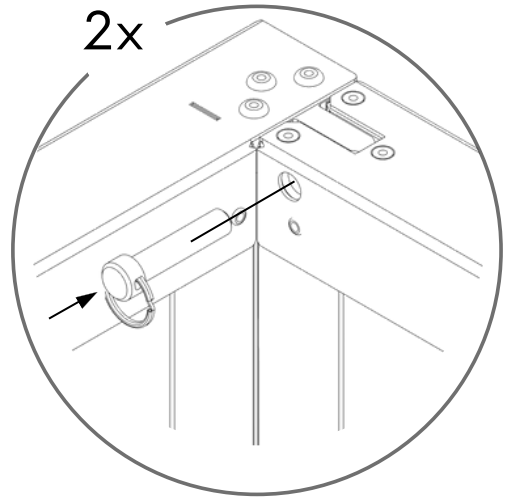
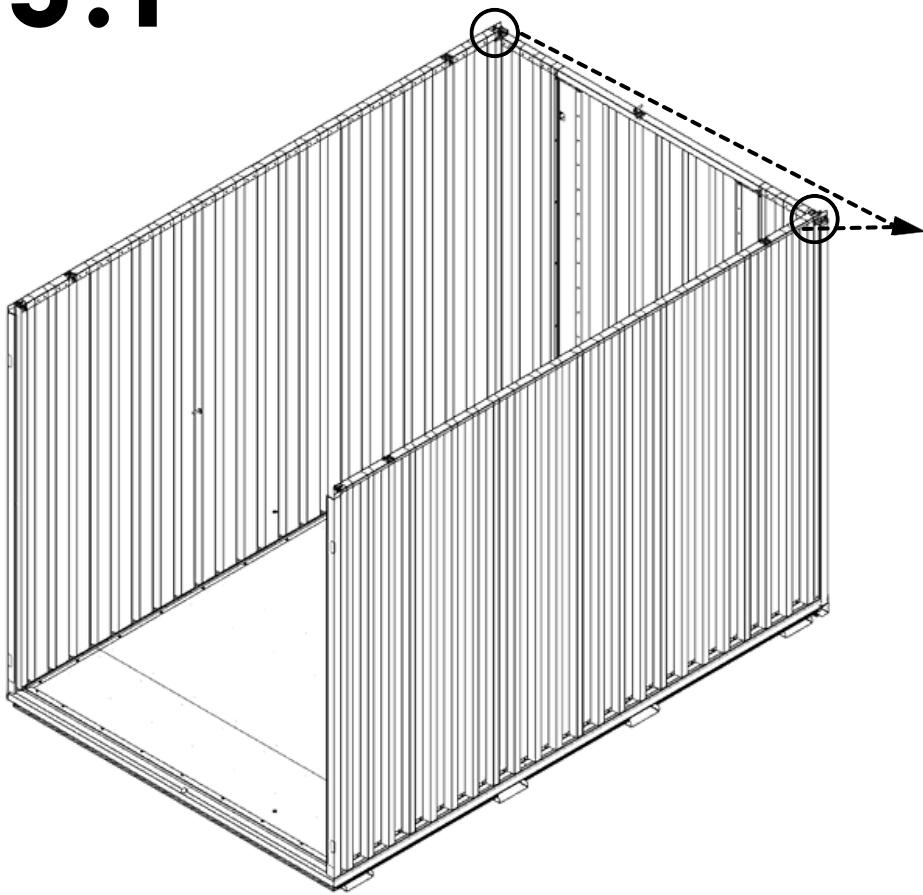
**2**



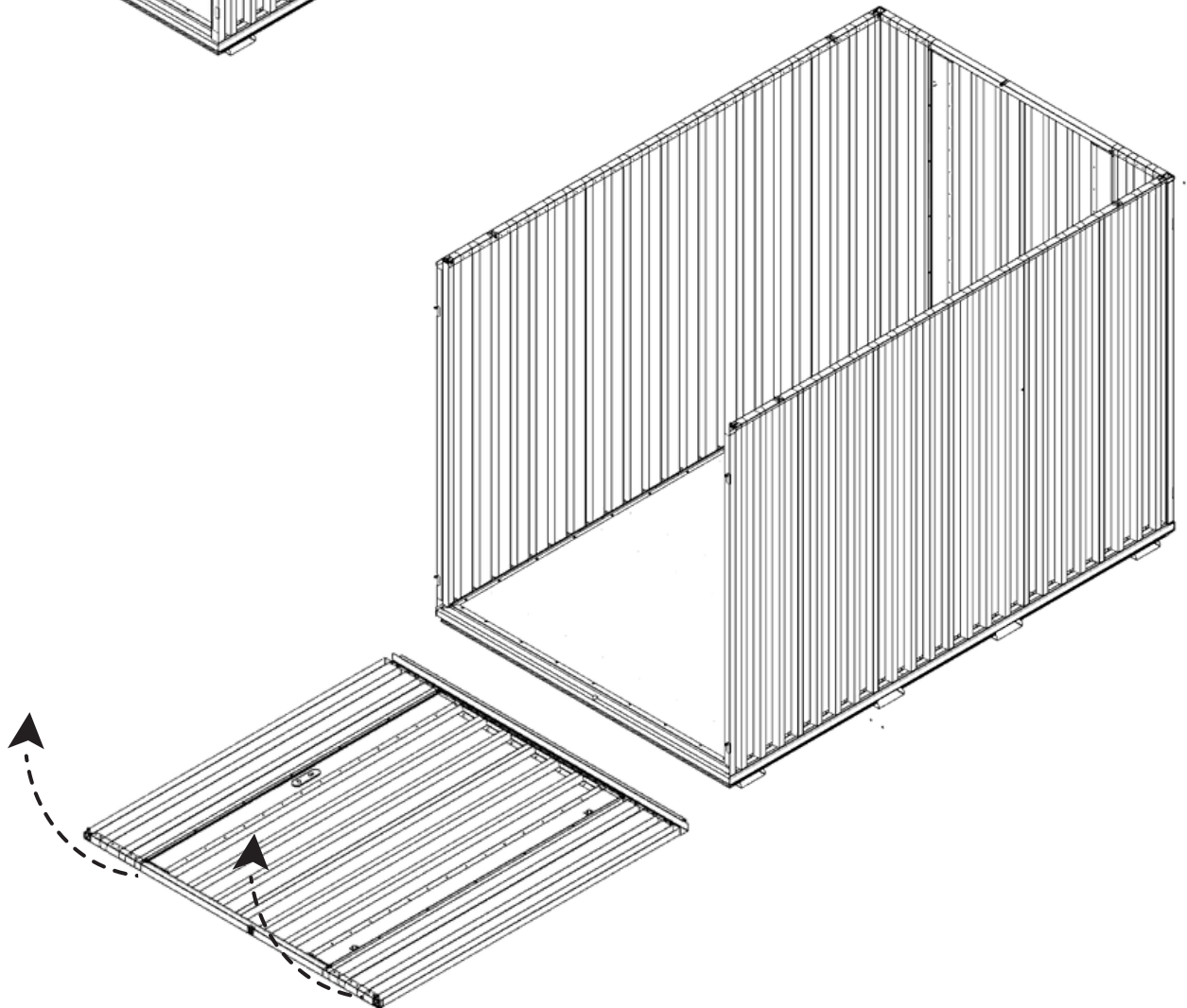
**3**



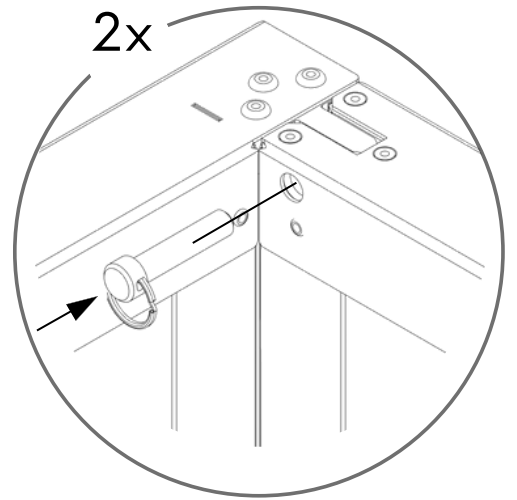
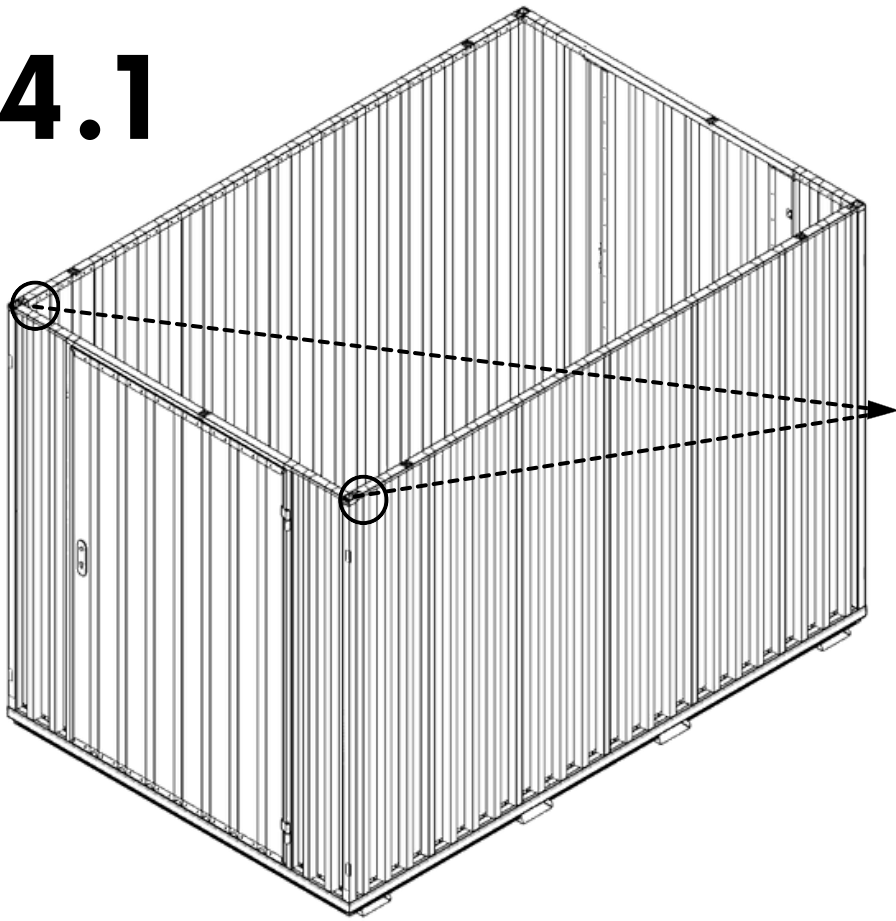
# 3.1



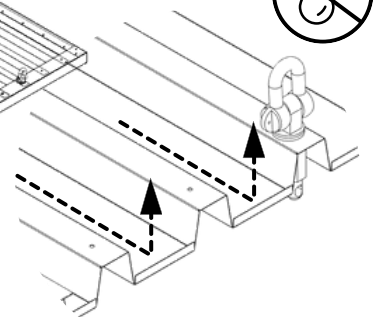
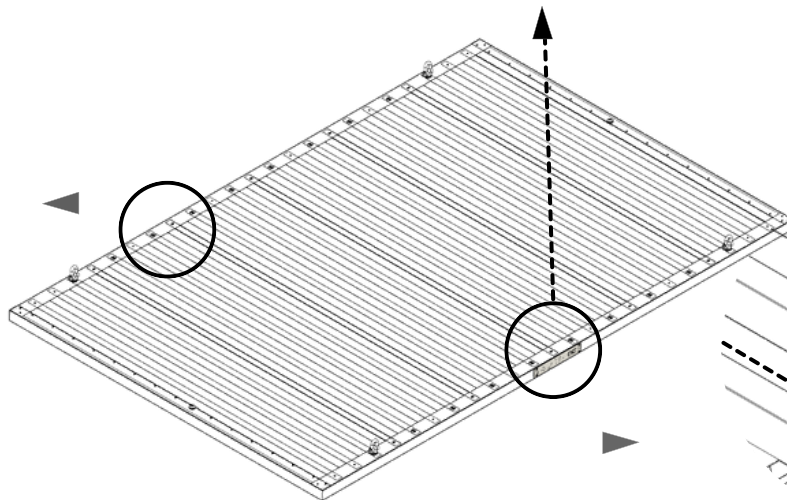
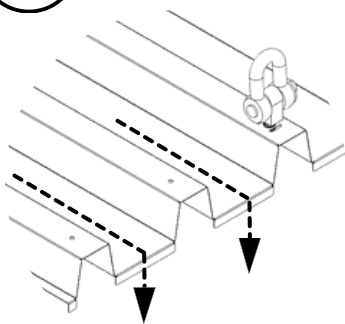
# 4



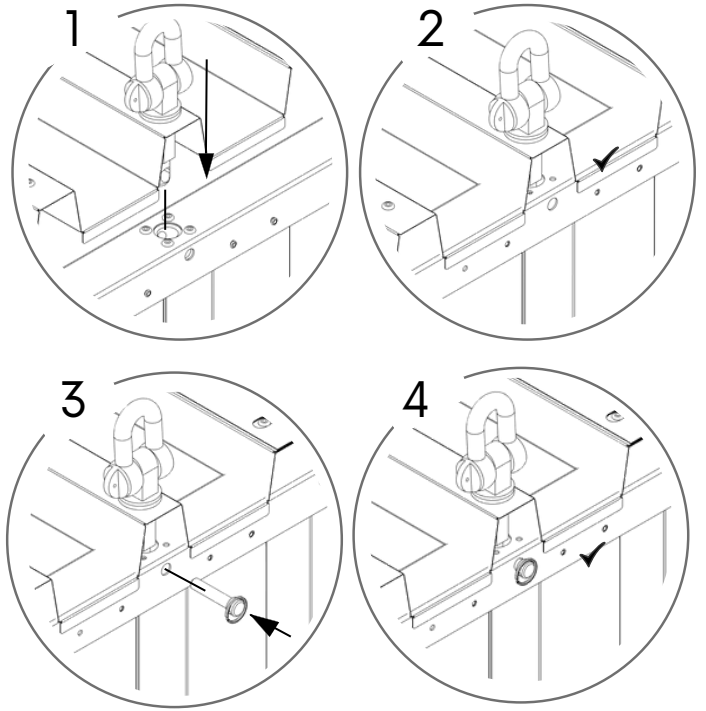
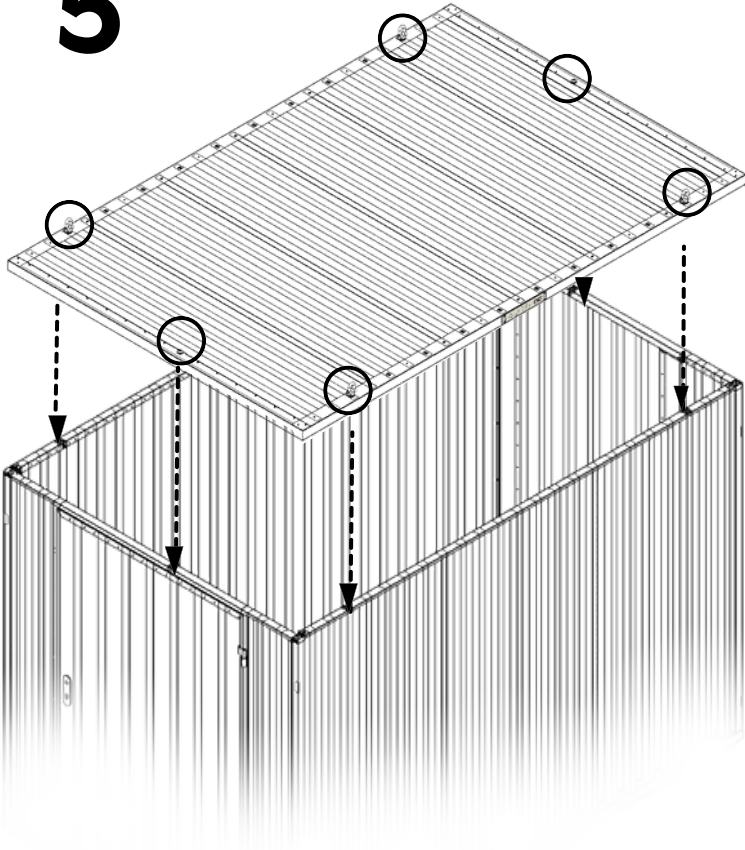
# 4.1



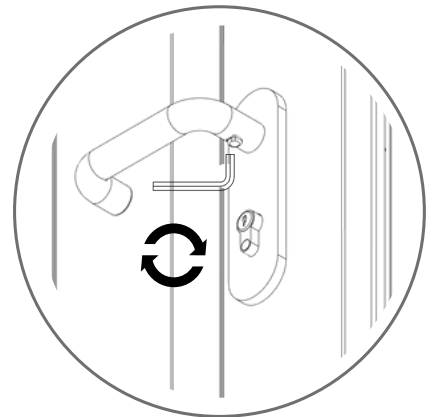
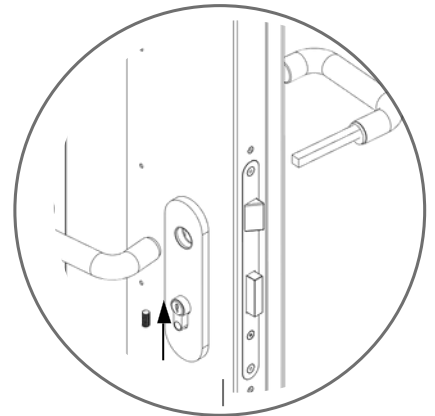
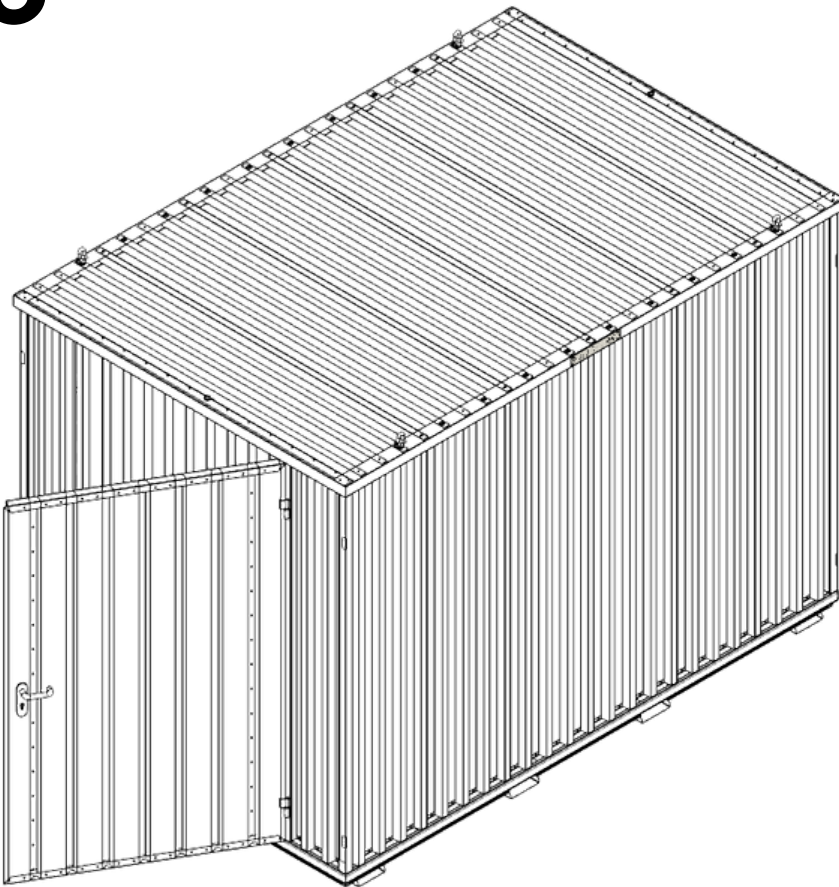
 336 KG	 3 TON	 1640 MM	Model Code: 30.110.440 Production Tracking Code: .....X09.130.440  9001	 14001	 50001	  
------------	-----------	-------------	---	-----------	-----------	----------



# 5



# 6



7

