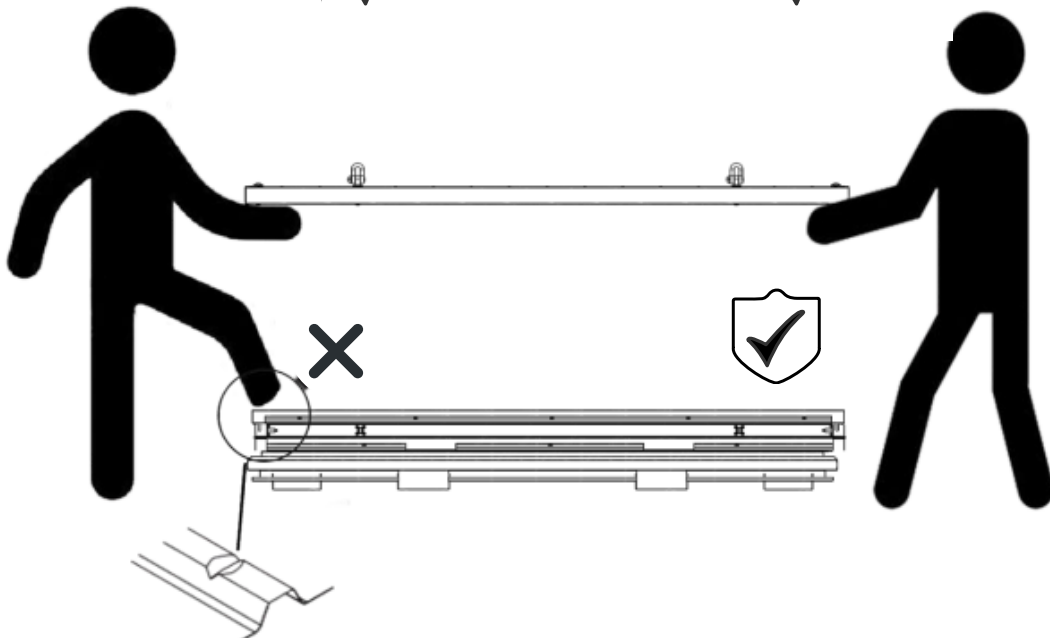
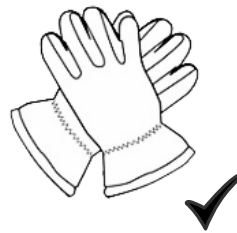


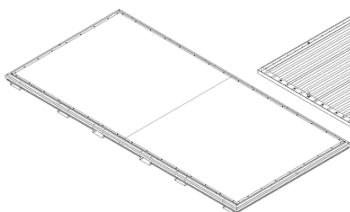
PRODUCT CODE:40.110.450.320

**prefabase**  
Quick Build Solutions

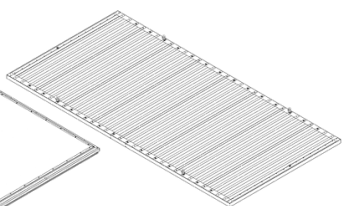
Instructions and User Guide



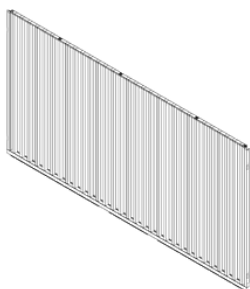
40.0110  
1x



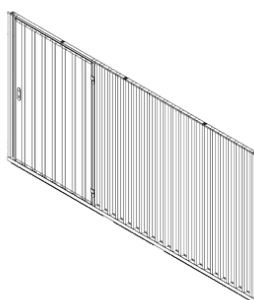
40.0510  
1x



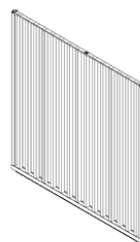
40.0410  
1x



40.0450  
1x



0310  
1x



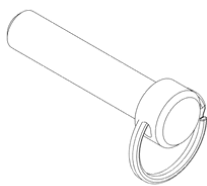
0320  
1x



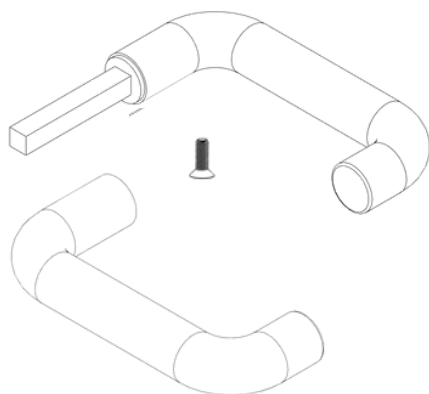
61.101  
4x



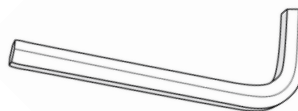
12x



2x



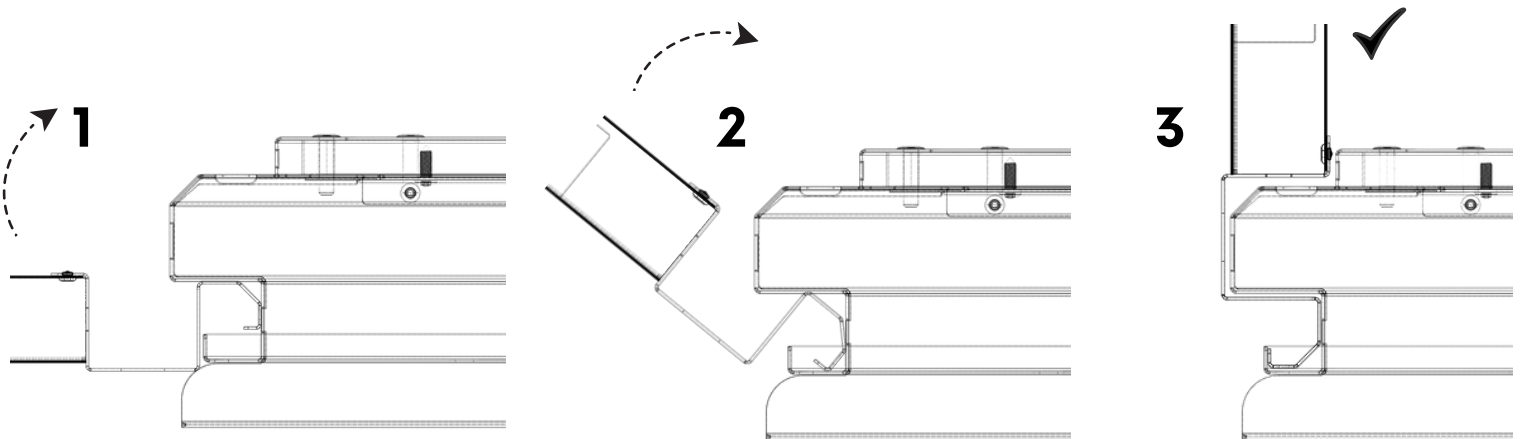
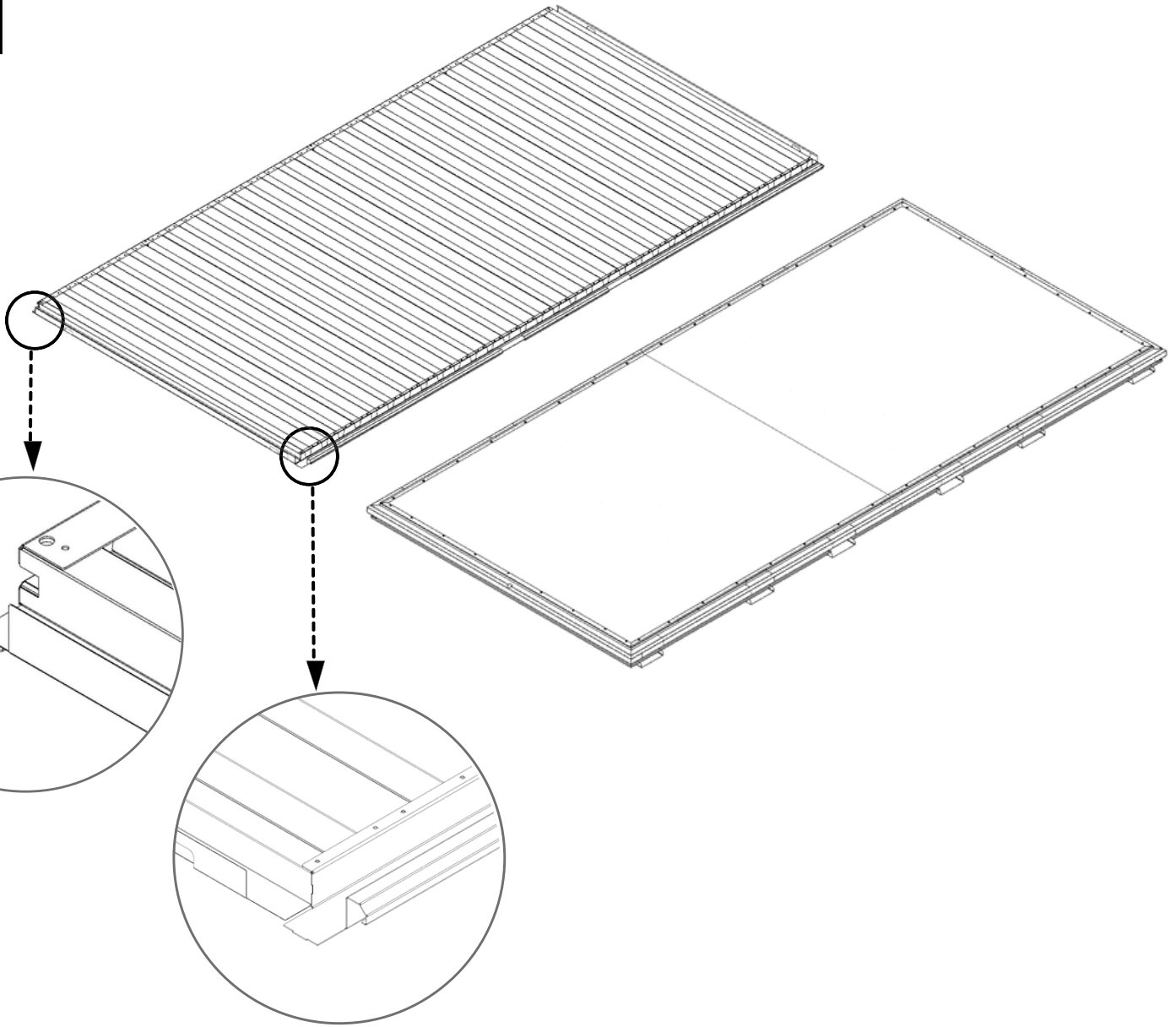
1x



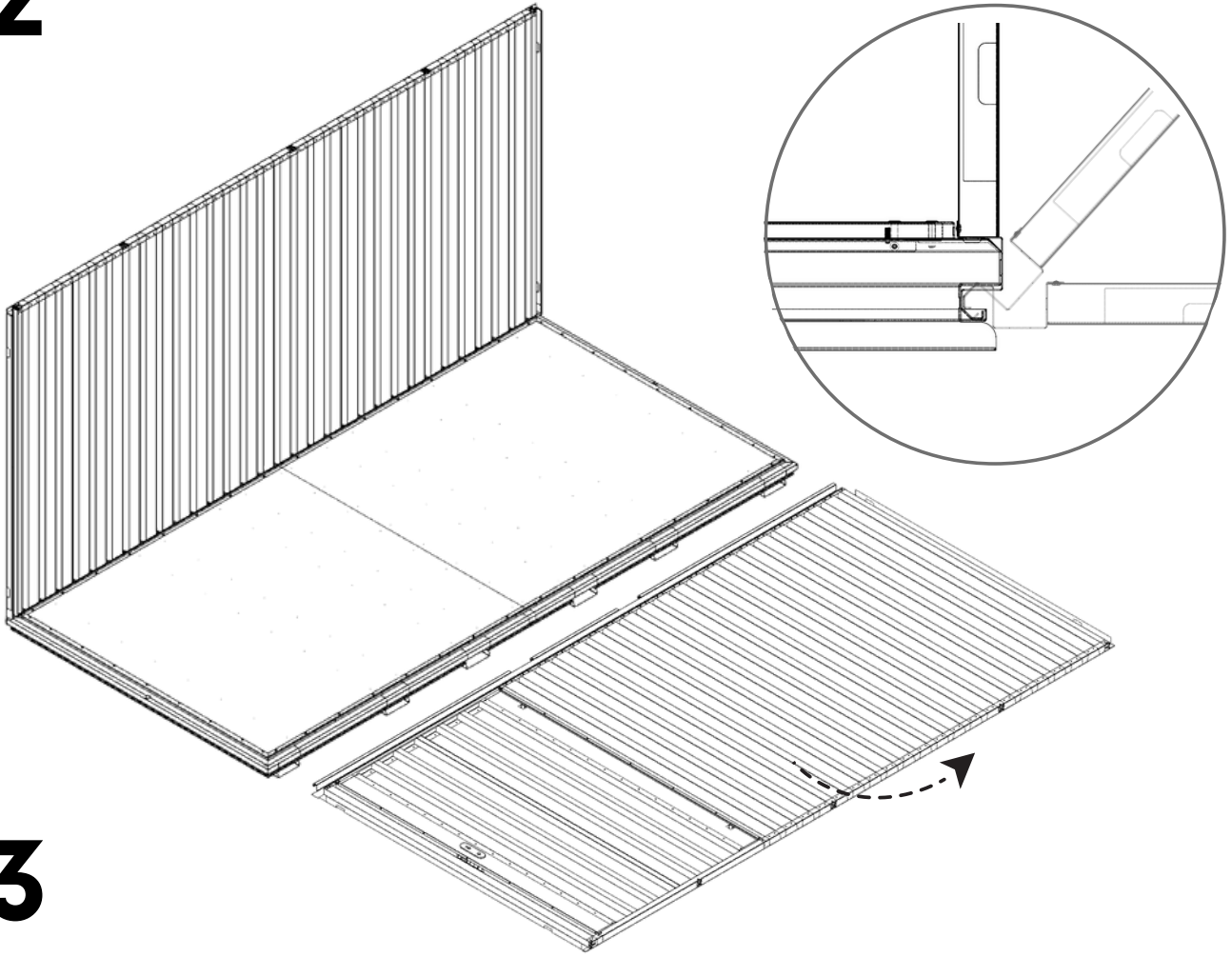
2x



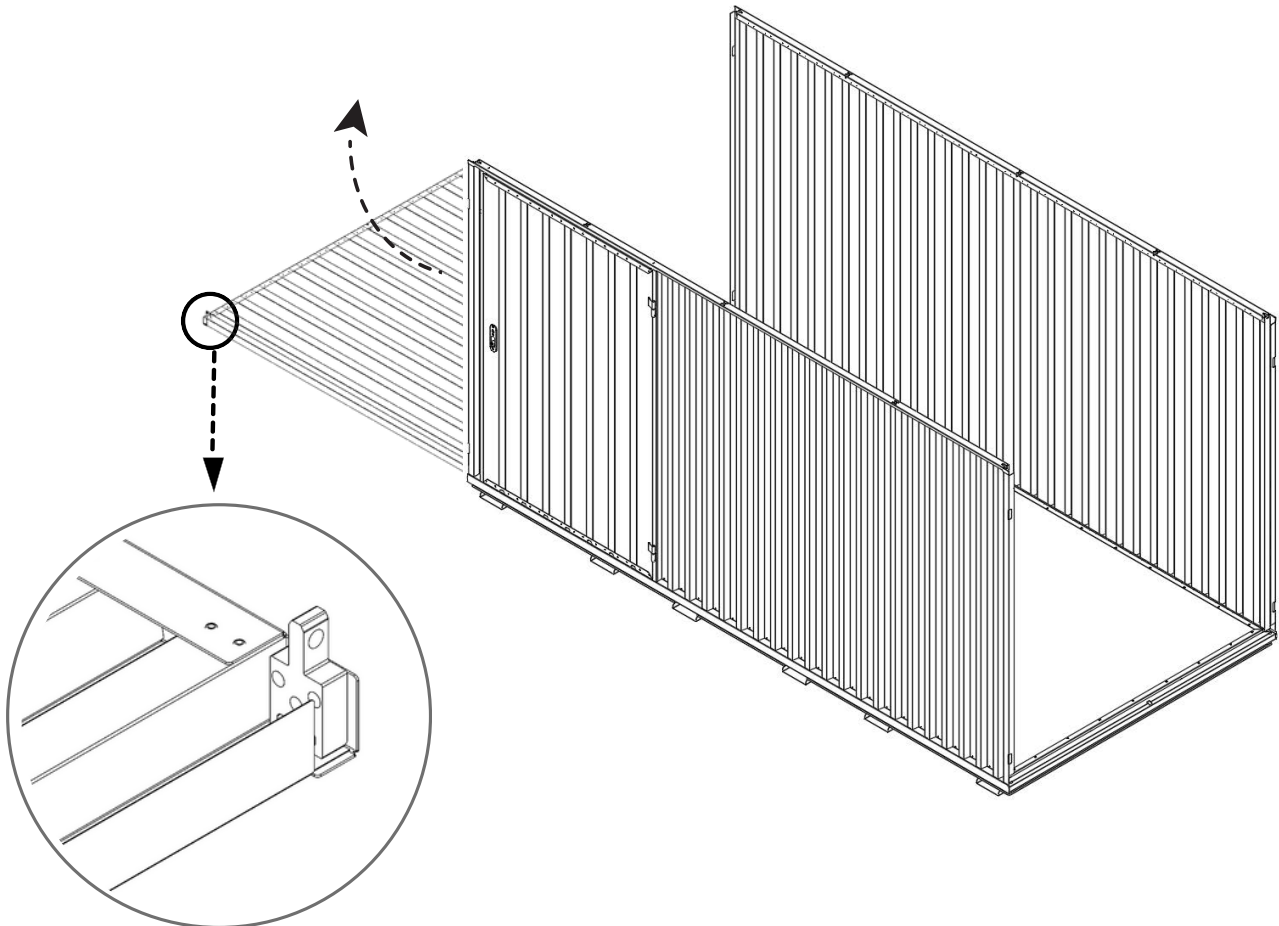
# 1



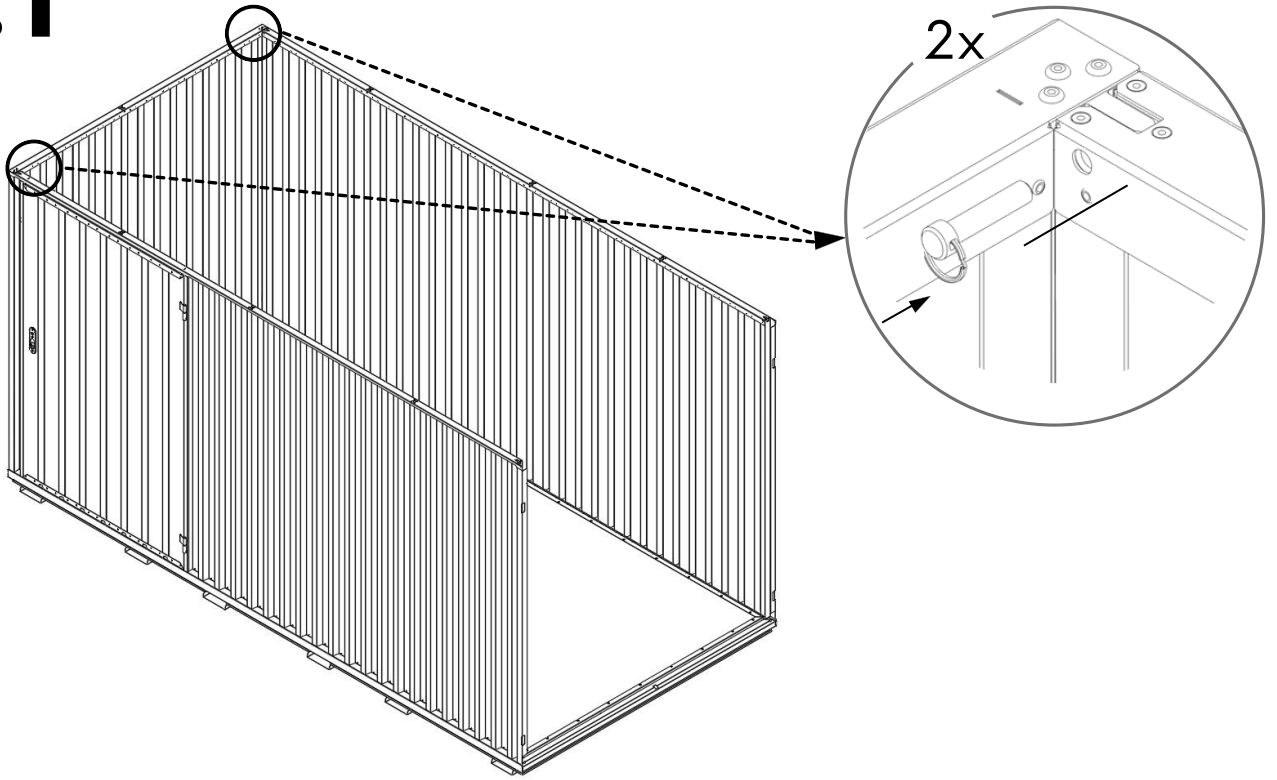
**2**



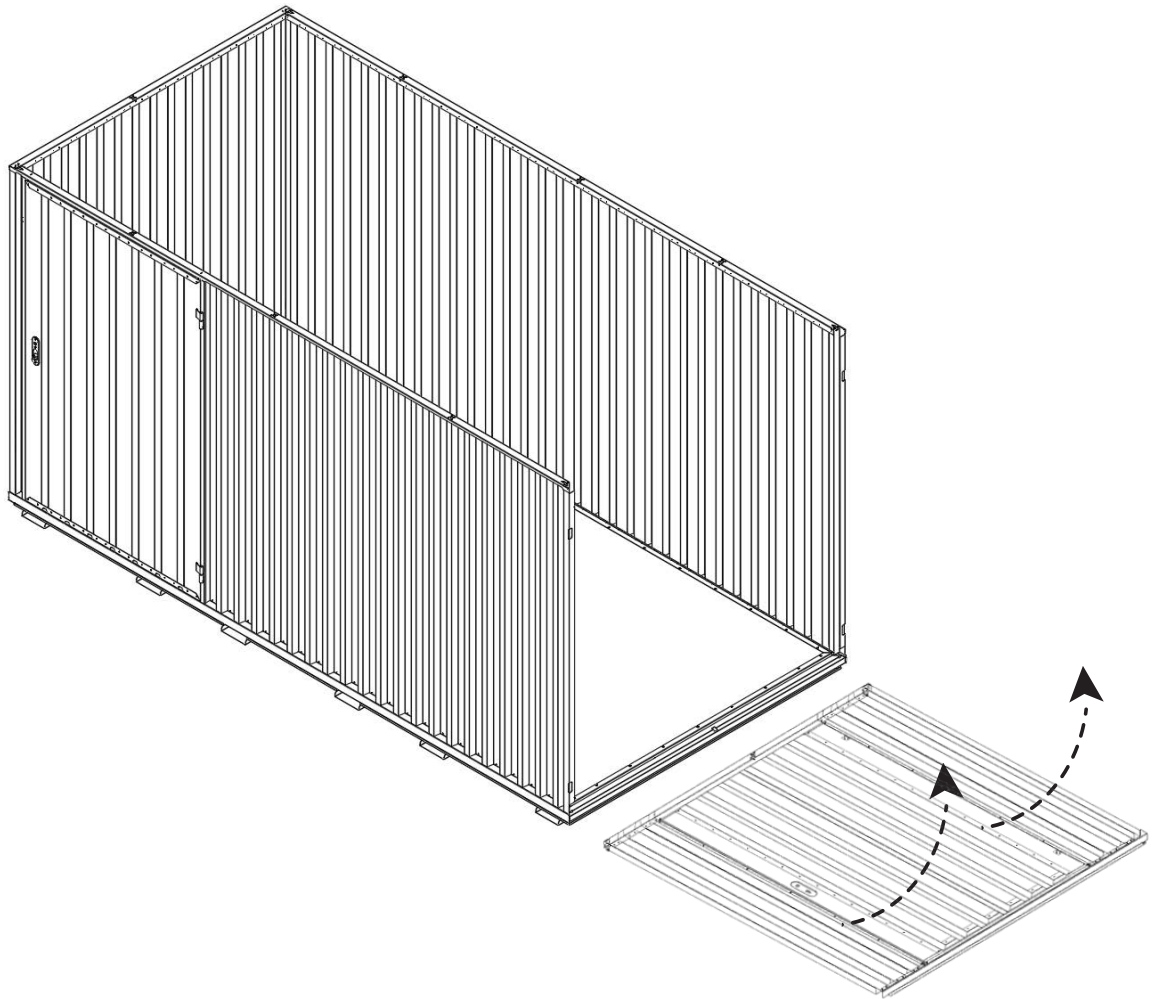
**3**



# 3.1

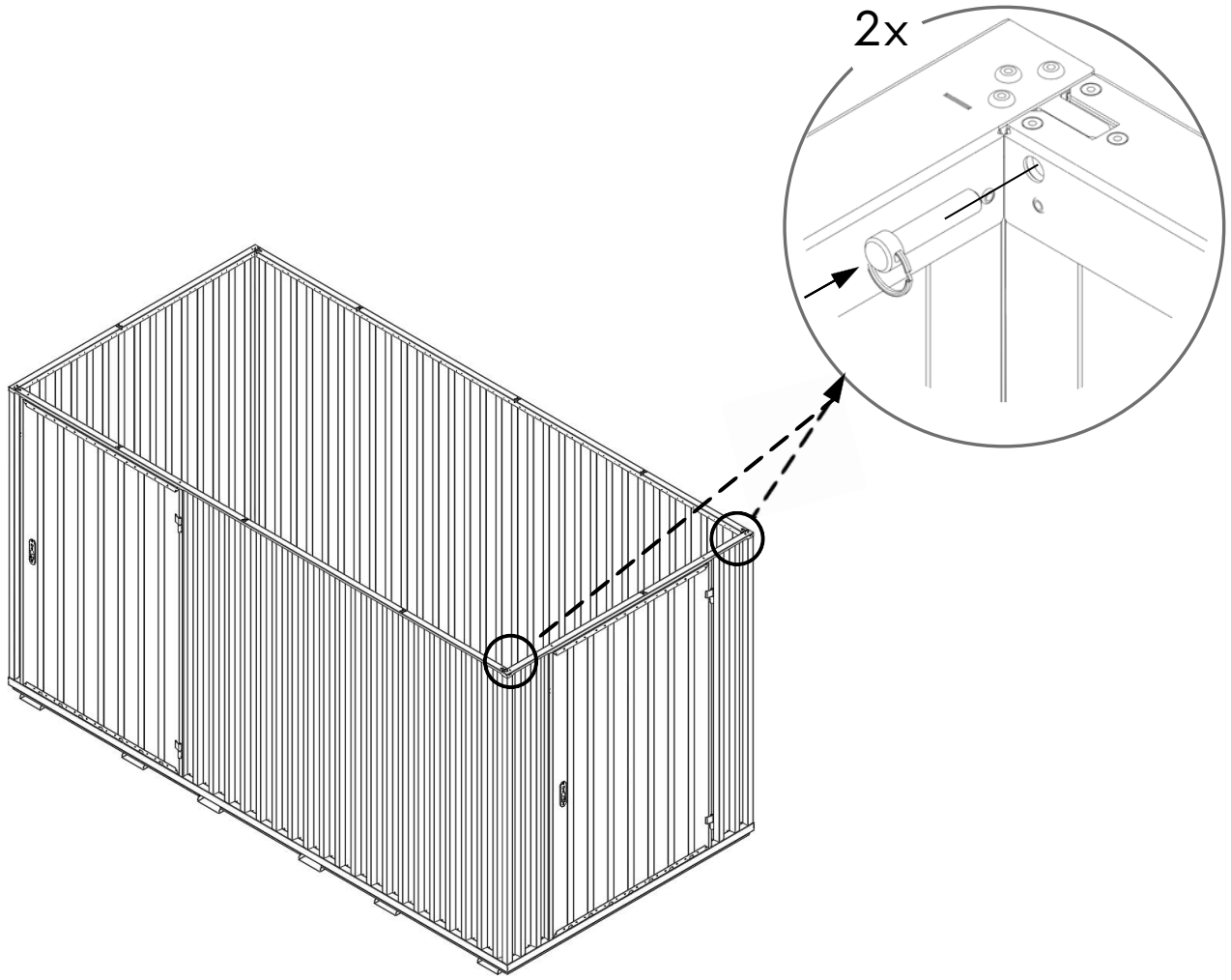










# 4

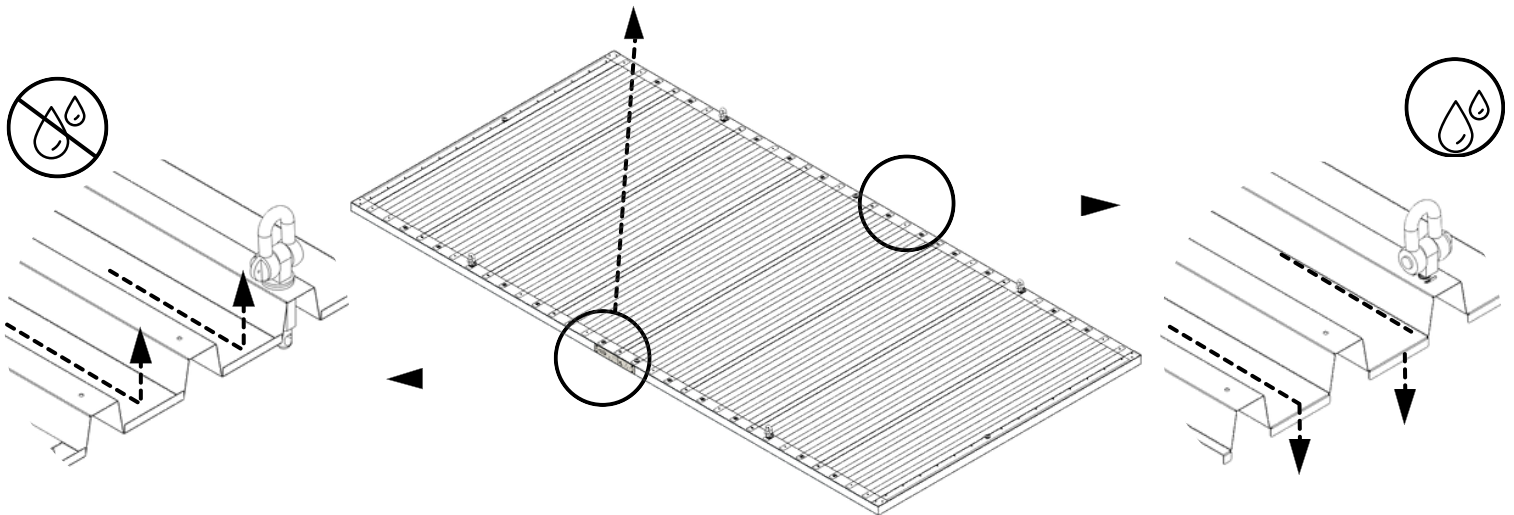


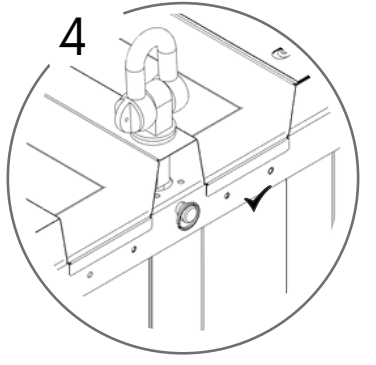
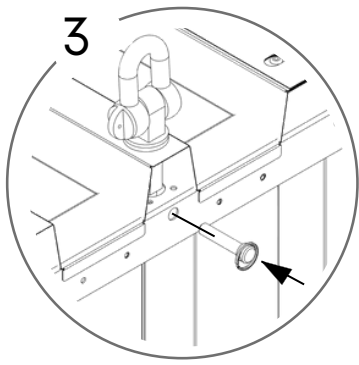
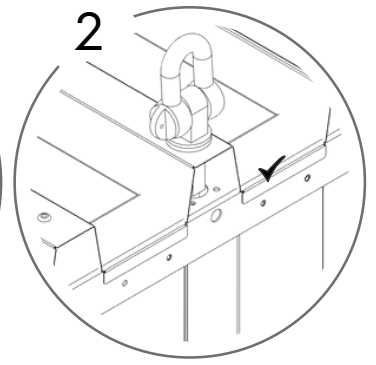
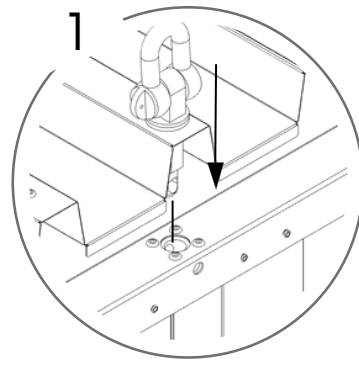
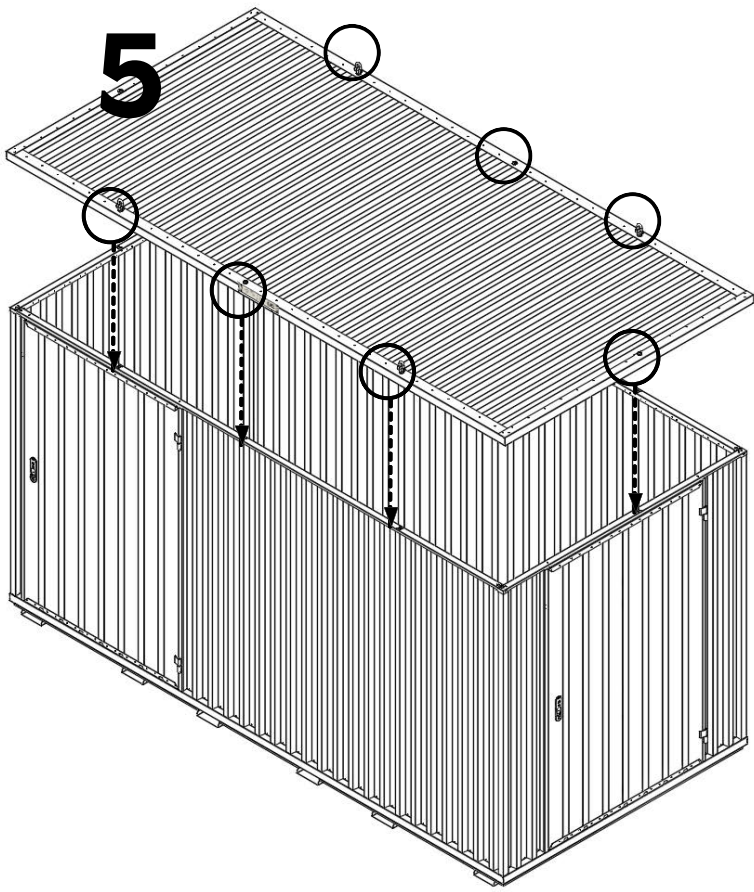


# 4.1

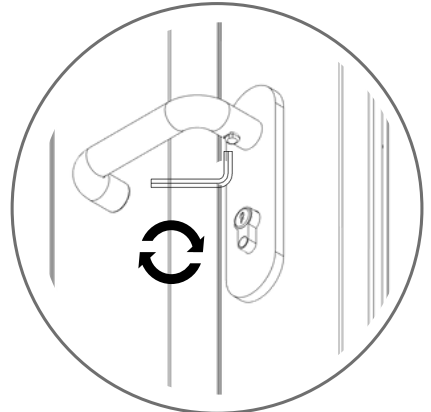
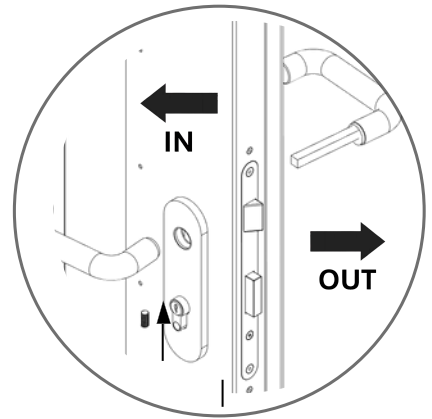
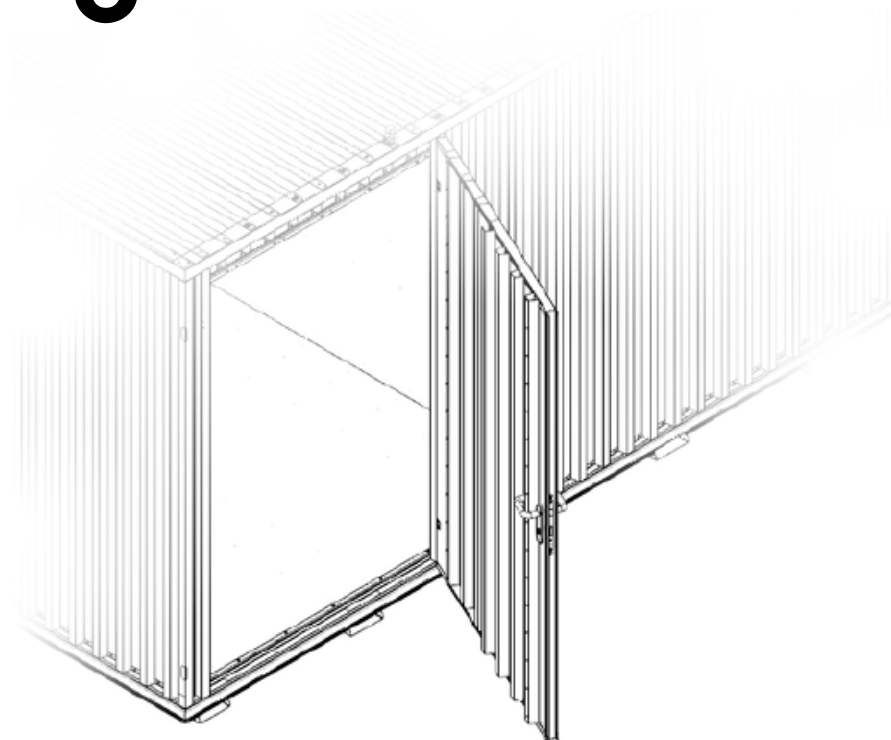


 438 KG	 1640 MM	Model Code: 40.110.450.320 Production Tracking Code: ...../X09.1.40.450.320    9001      14001      50001	 	
---	--	--	---	---





# 6



7

