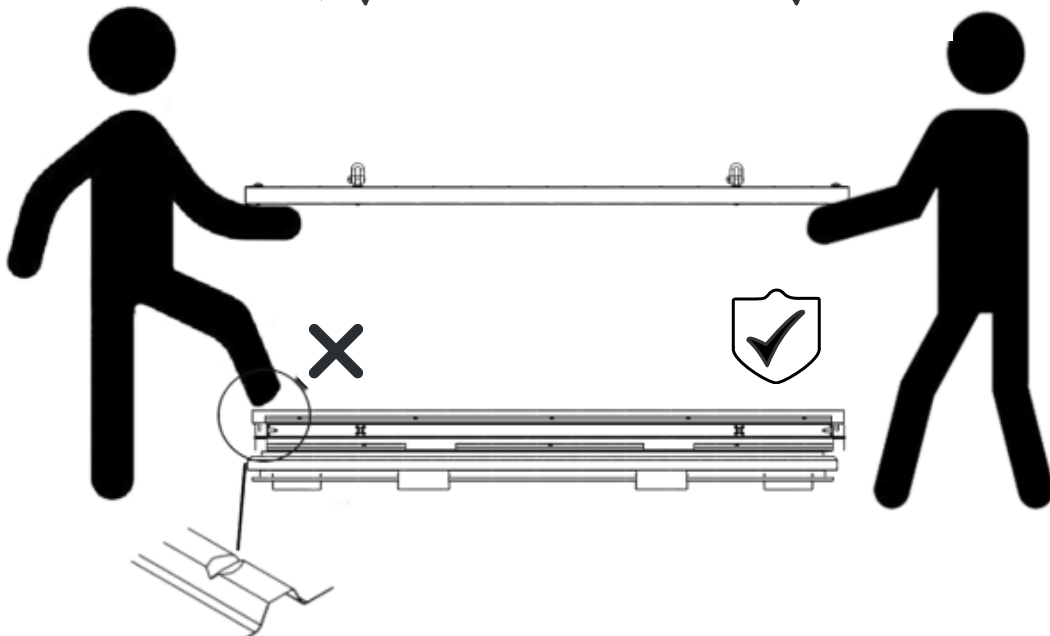
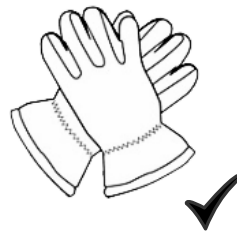


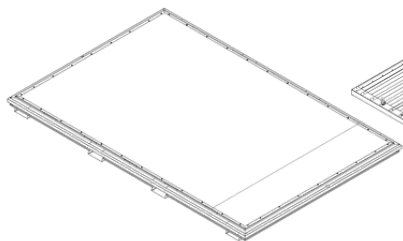
PRODUCT CODE: 30.110.330

**prefabase**  
Quick Build Solutions

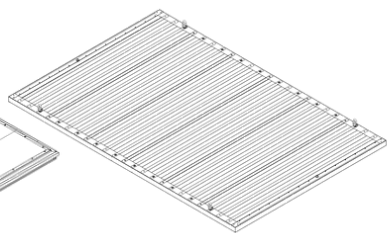
Instructions and User Guide



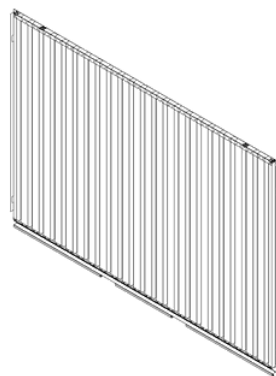
30.0110  
1x



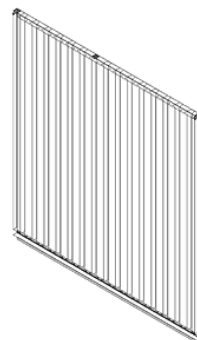
30.0510  
1x



30.0410  
2x



0310  
1x



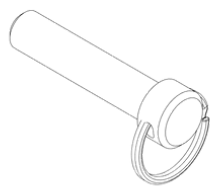
0330  
1x



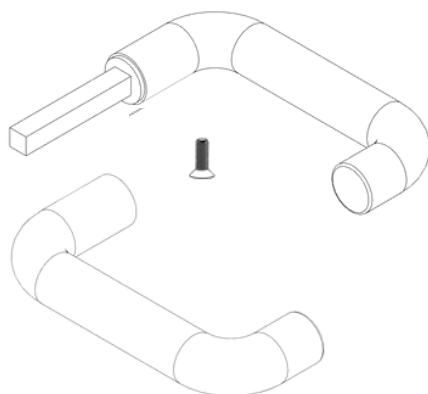
61.101  
2x



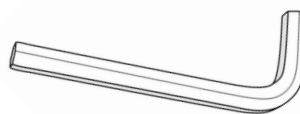
10x



1x



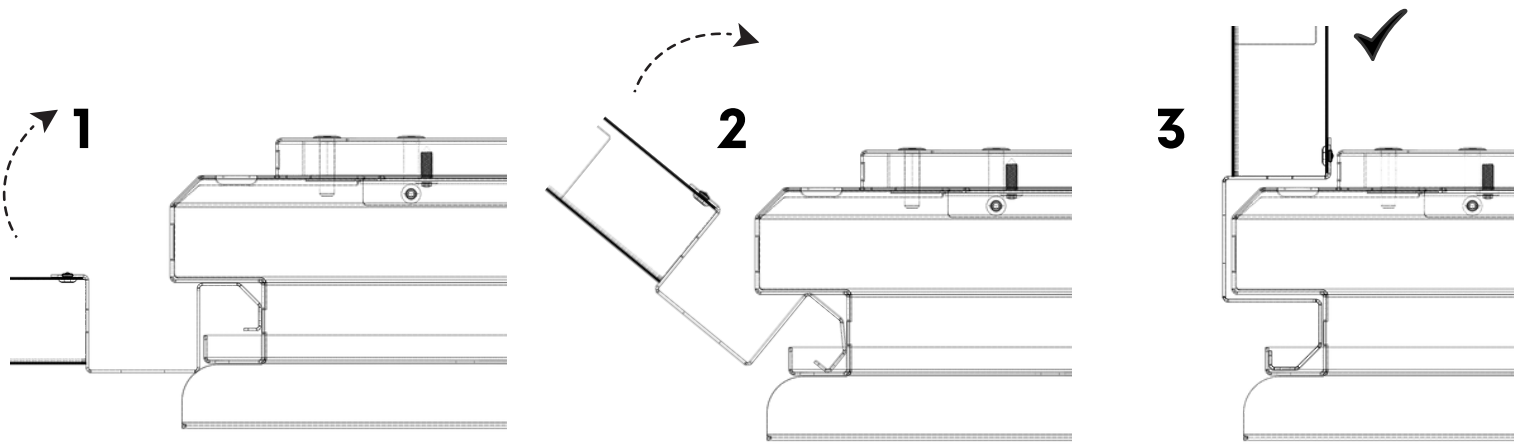
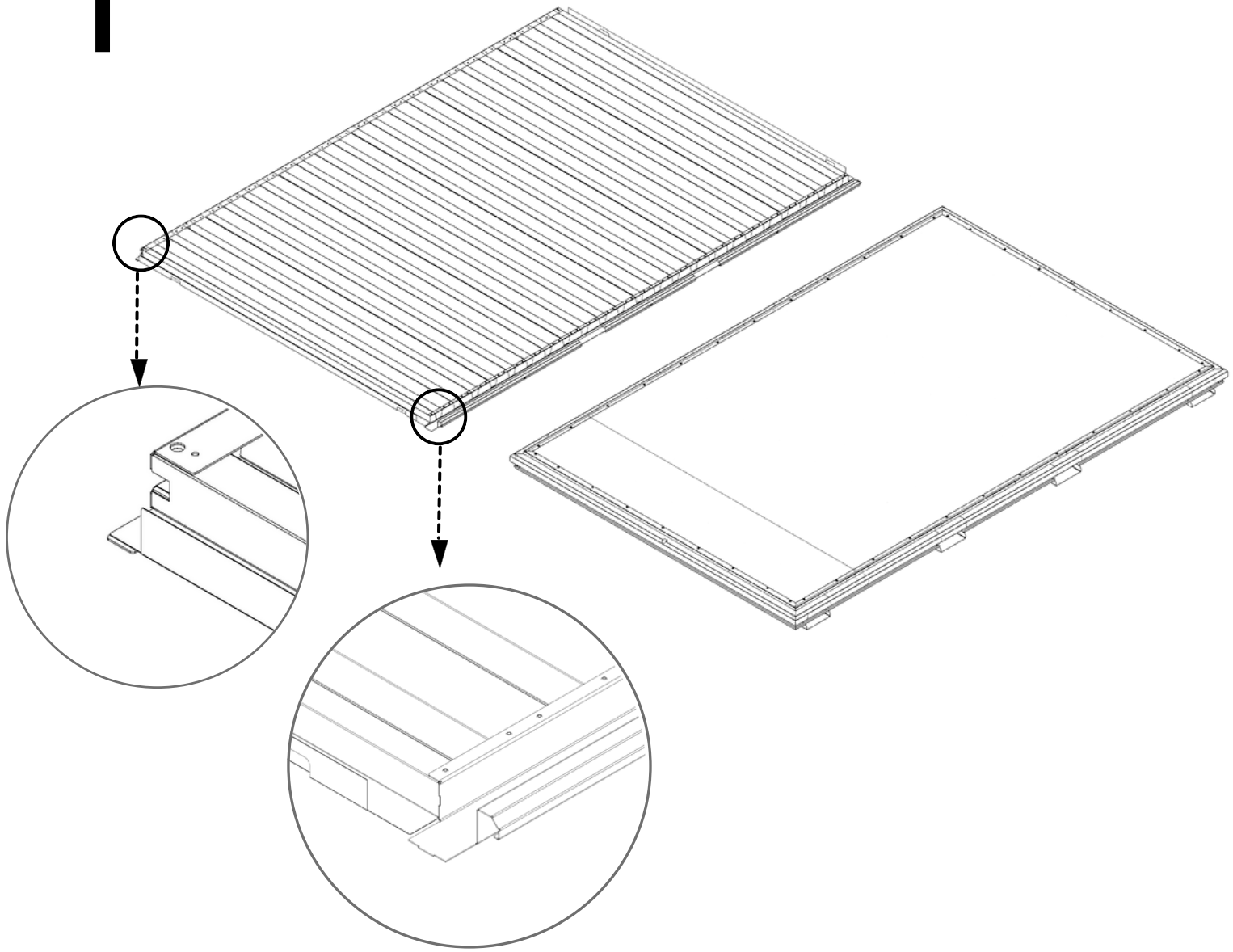
1x



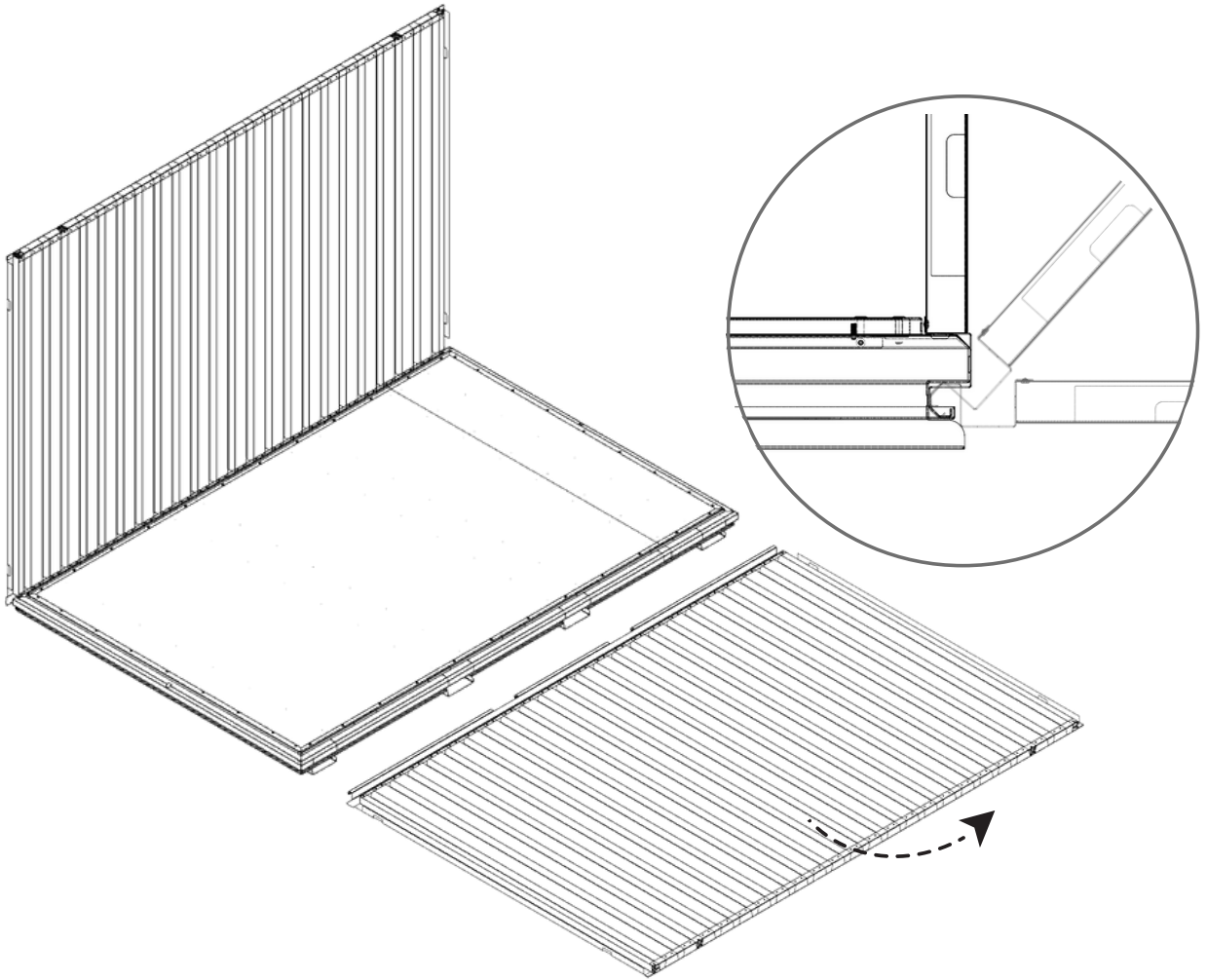
1x



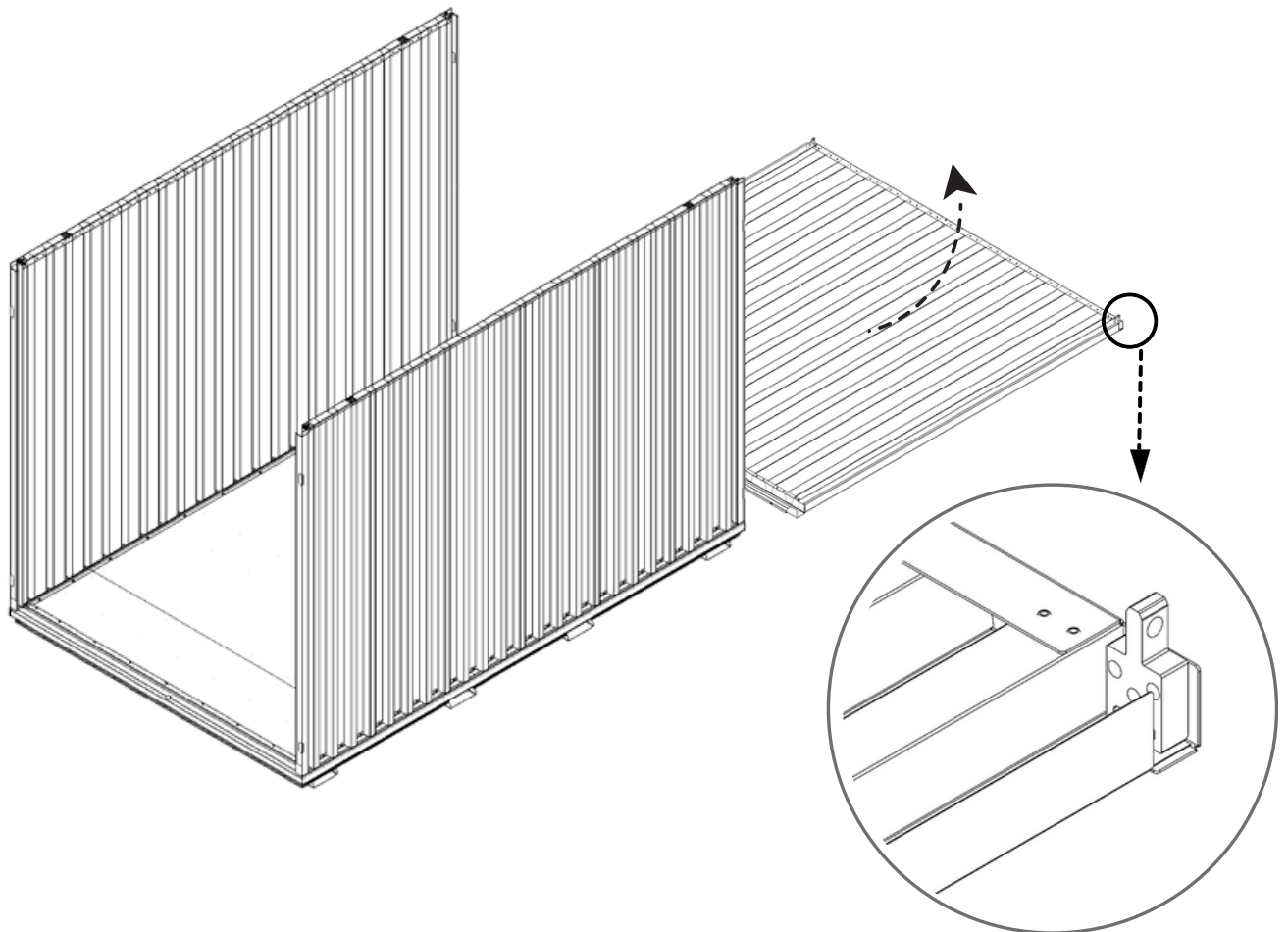
# 1



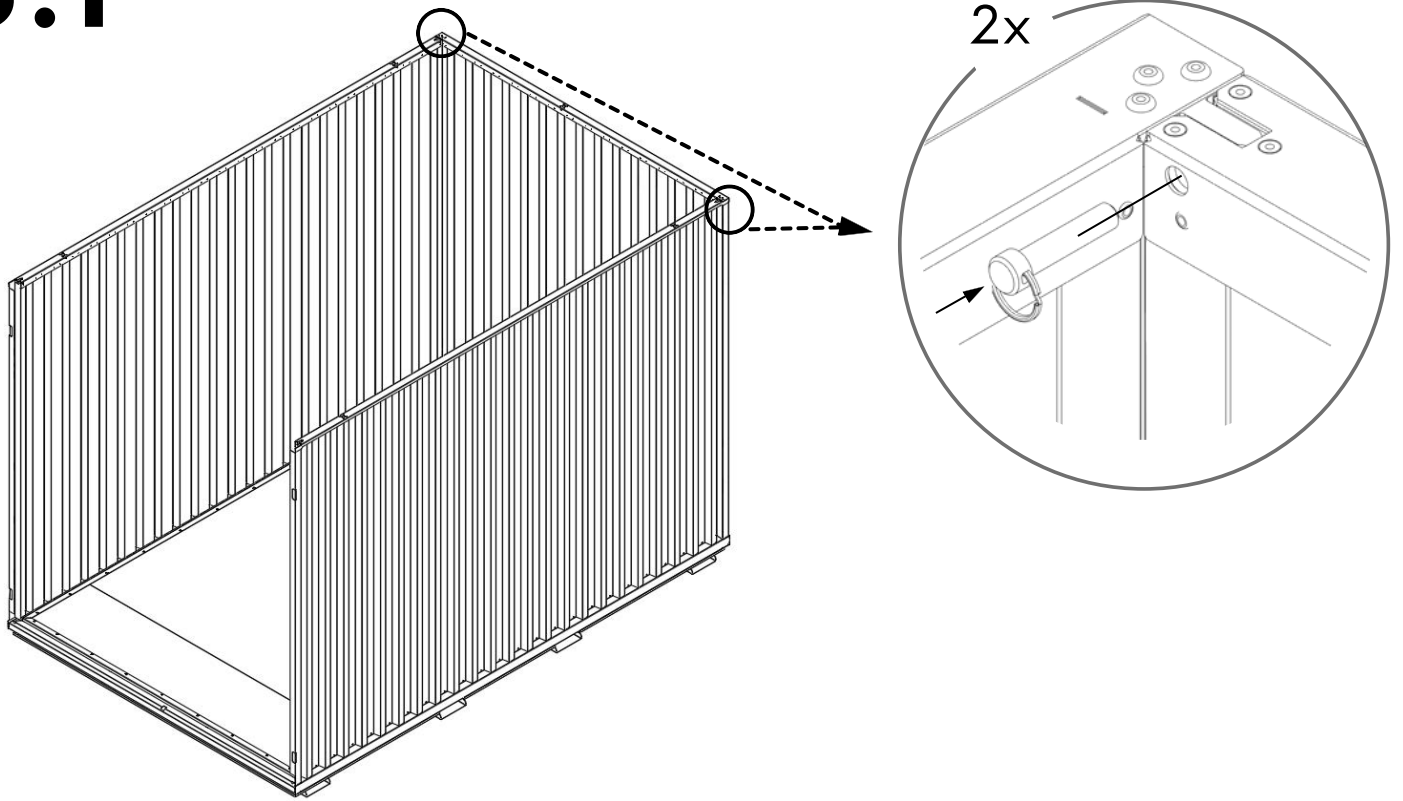
**2**



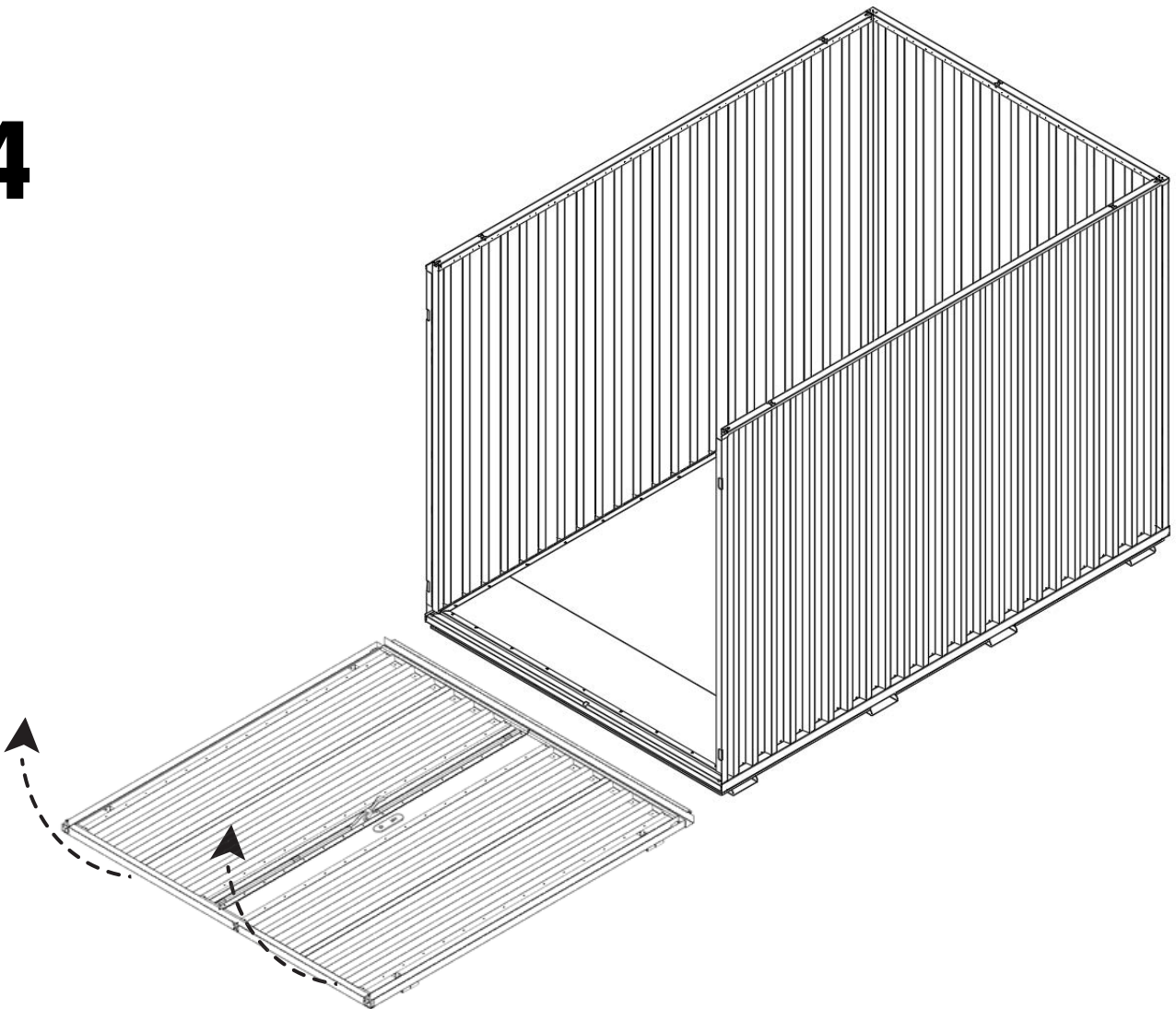
**3**



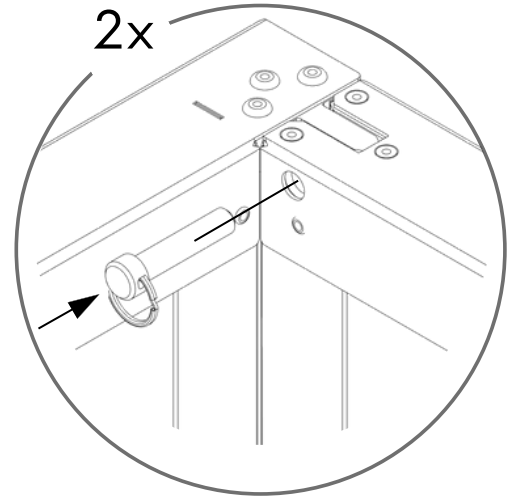
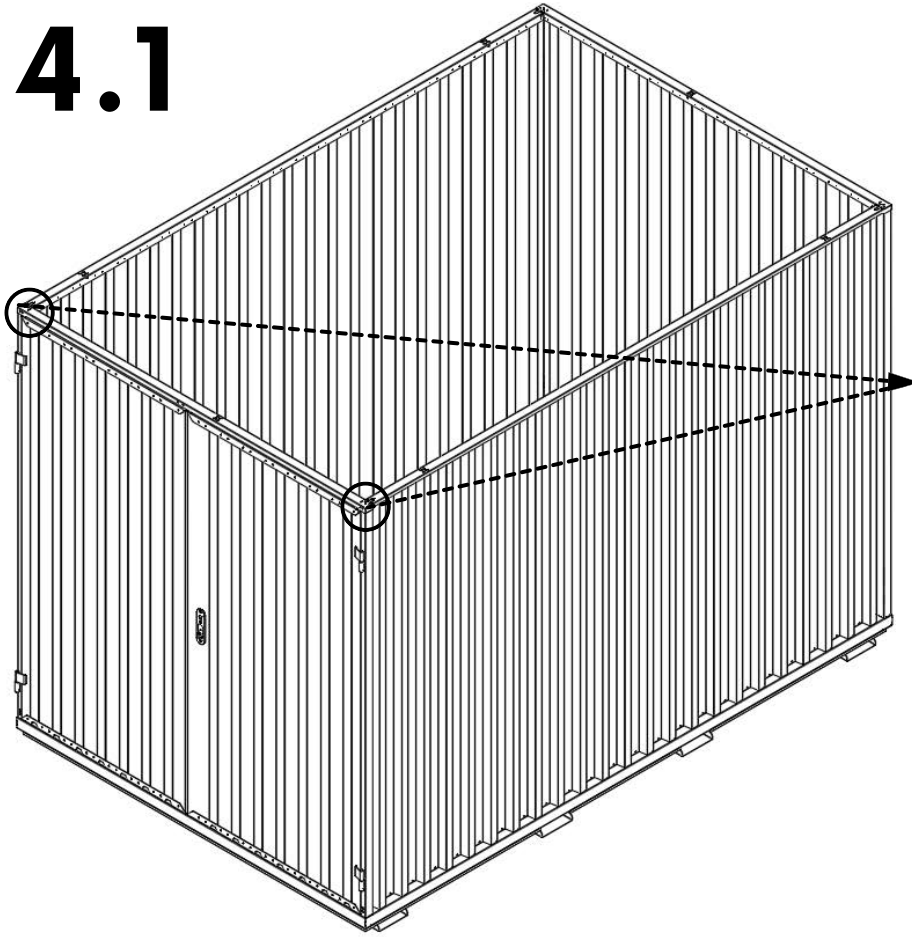
# 3.1











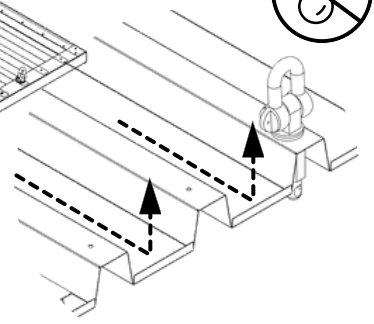
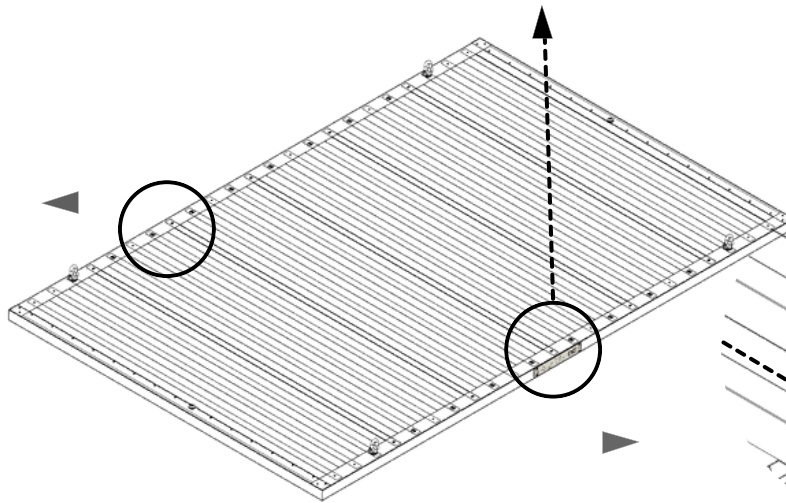
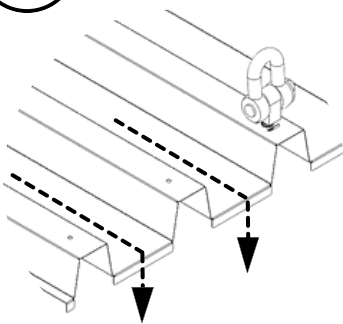
# 4



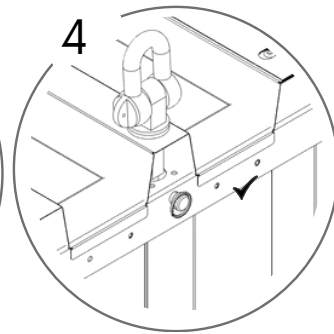
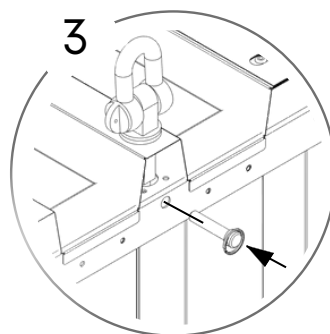
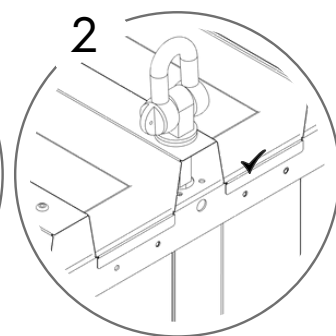
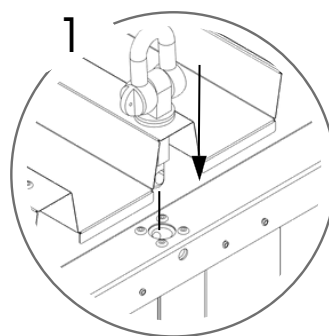
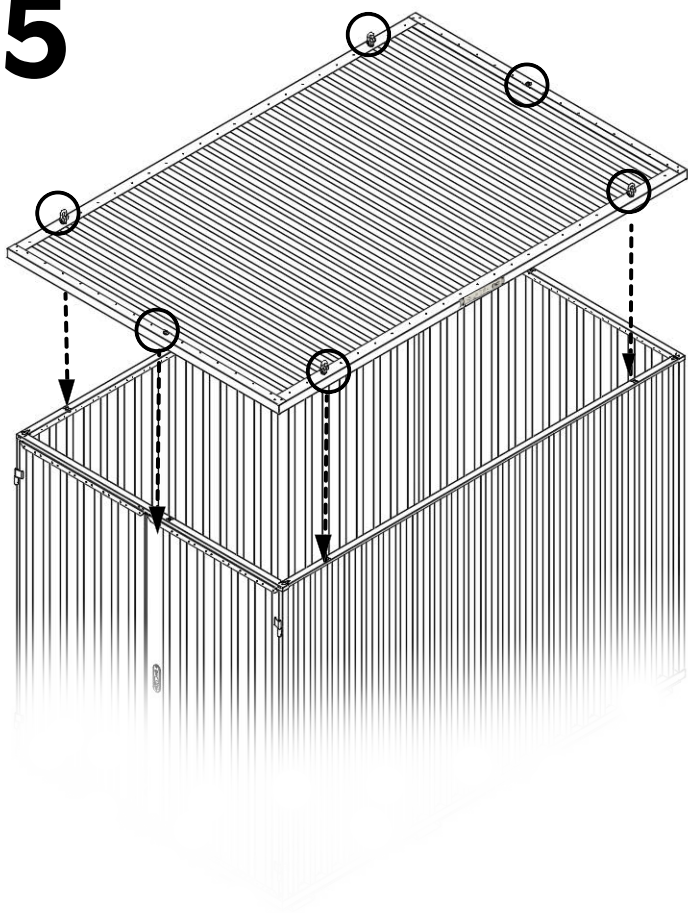
# 4.1



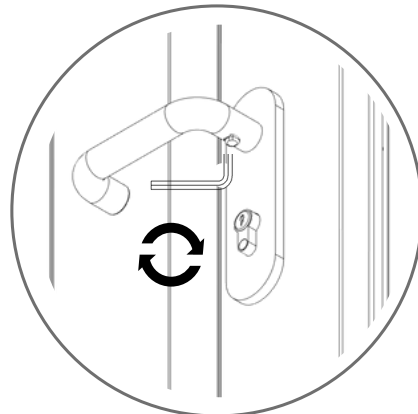
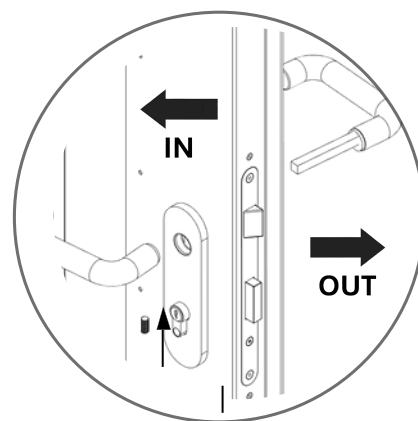
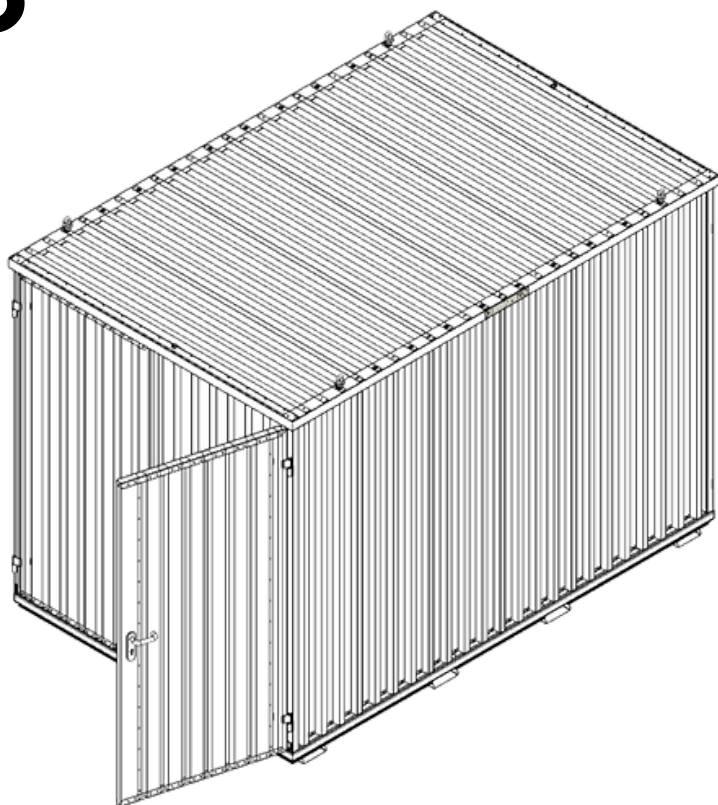
 344 KG	 1640 MM	Model Code: 30.110.330 Production Tracking Code: ...../X09.1.30.330  9001  14001  50001	 	
---	--	---	---	---



# 5



# 6



7

