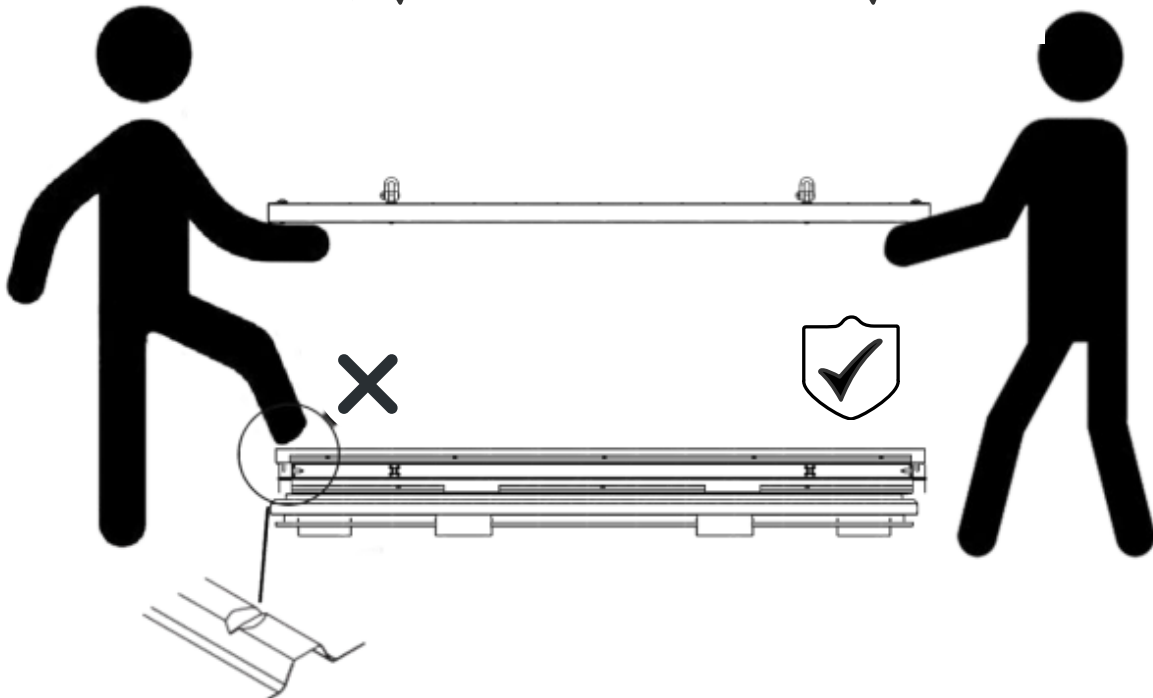
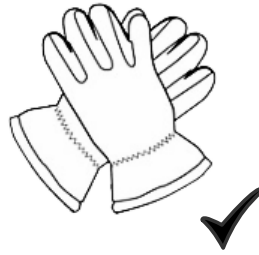
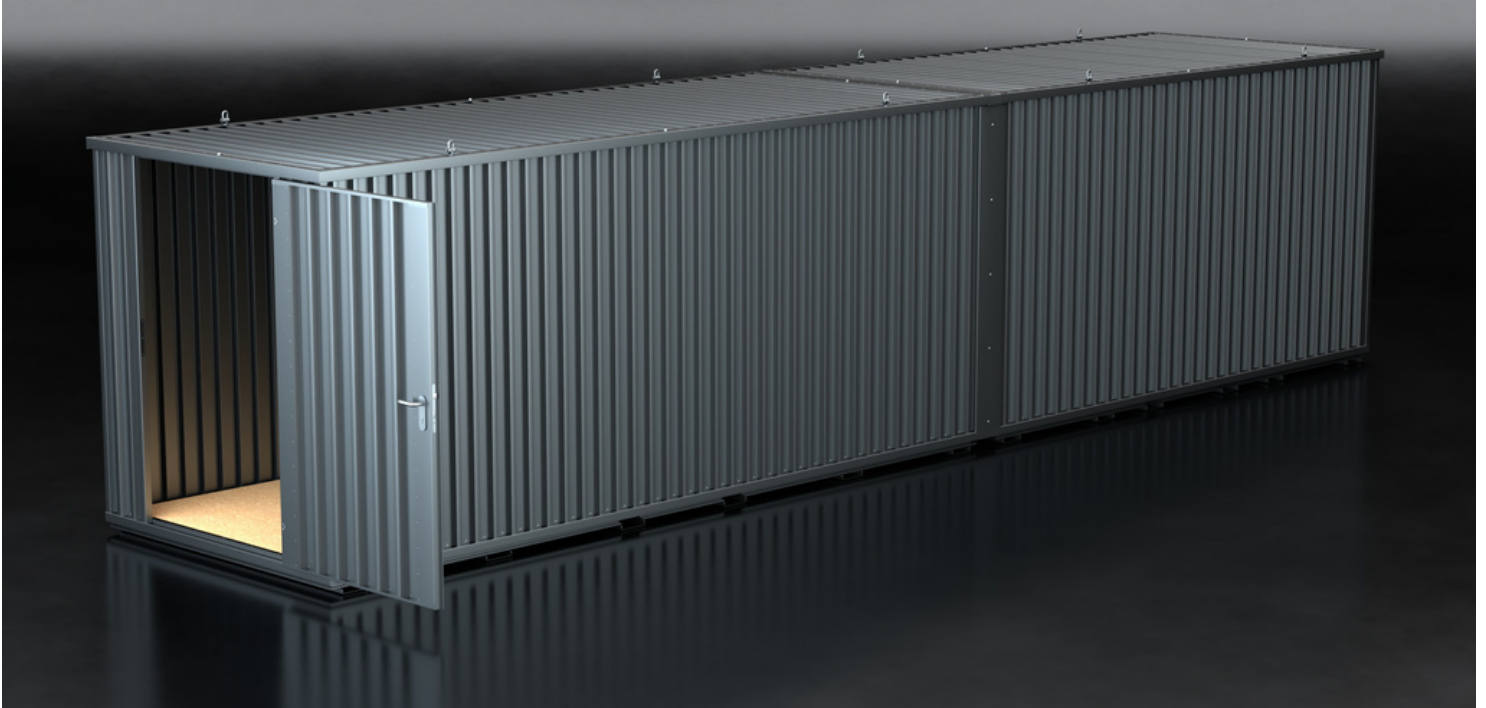


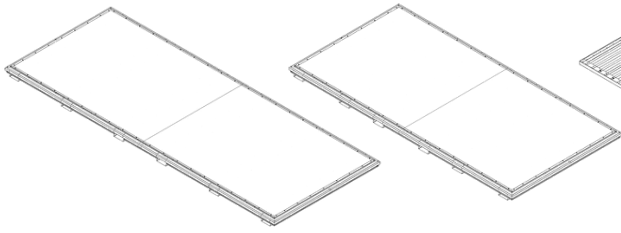
PRODUCT CODE:5040.110.320

**prefabase**  
Quick Build Solutions

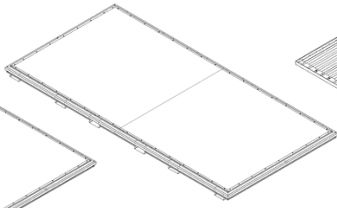
Instructions and User Guide



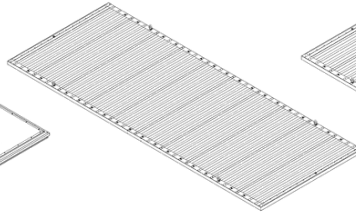
50.0110  
1x



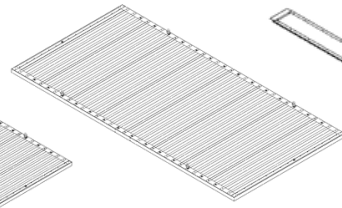
40.0110  
1x



50.0510  
1x



40.0510  
1x



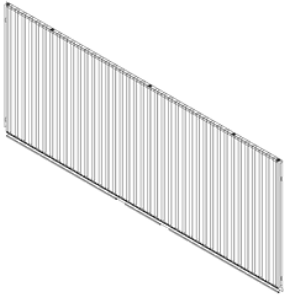
306.0110  
1x



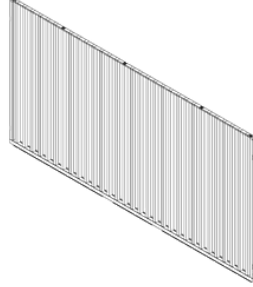
306.0510  
1x



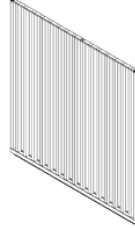
50.0410  
2x



40.0410  
2x



0310  
1x



0320  
1x



306.40.05  
2x



306.40.04  
2x



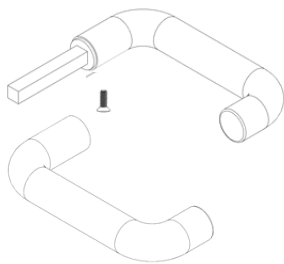
61.101  
4x



24x



1x



10x



10x



10x



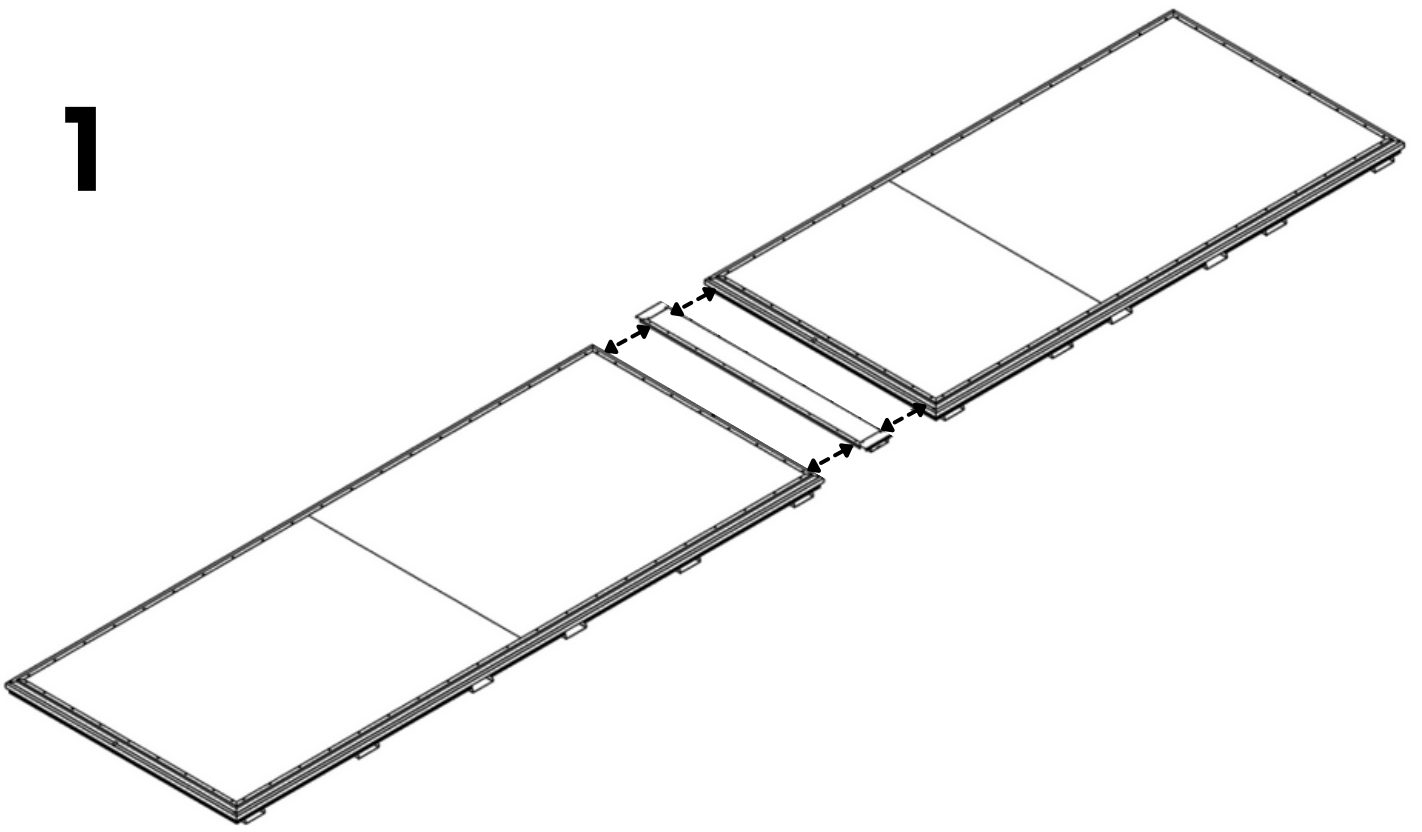
1x



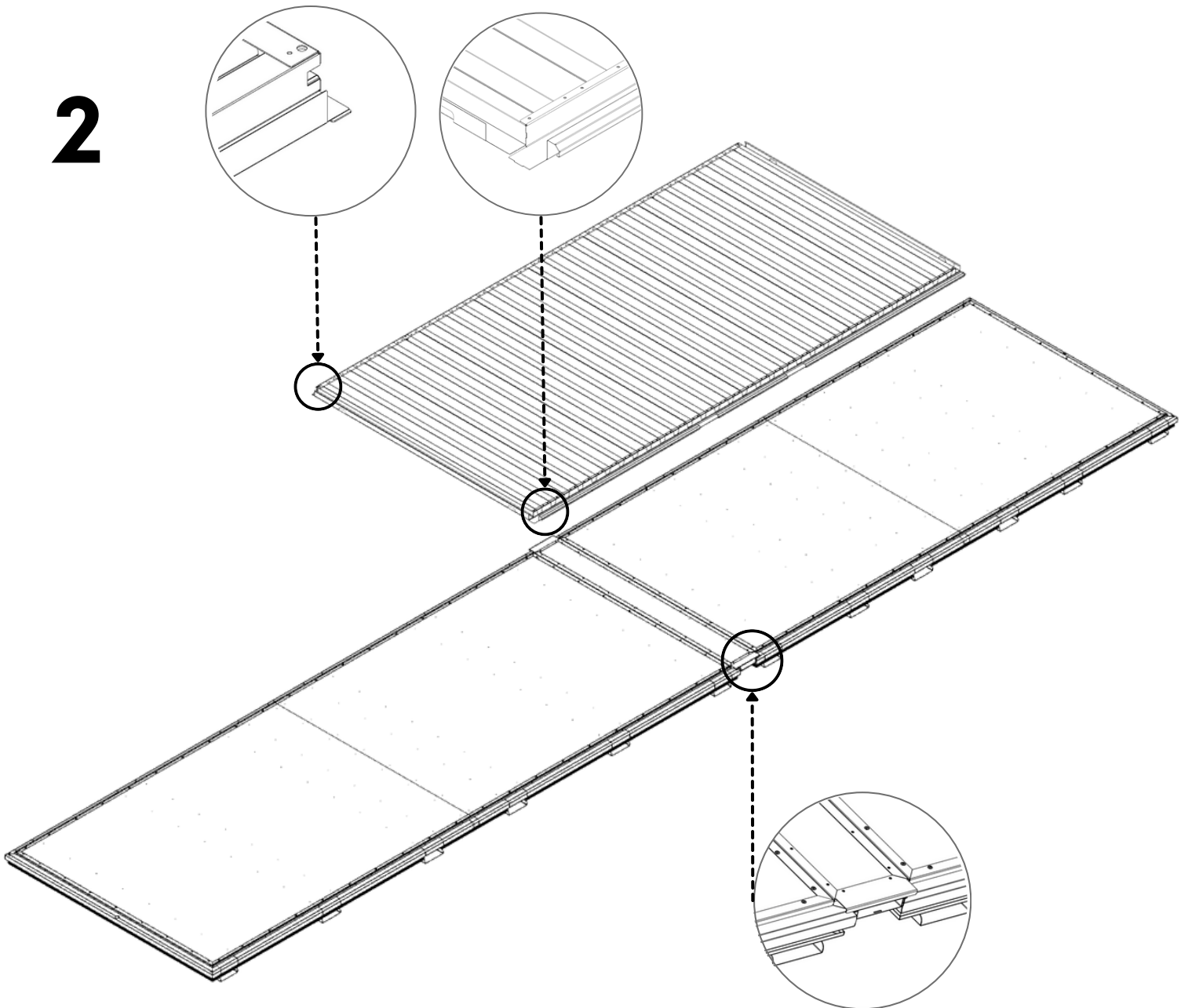
1x

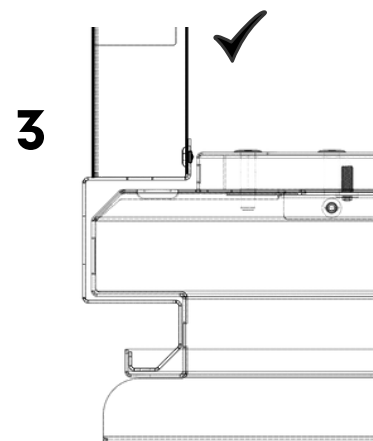
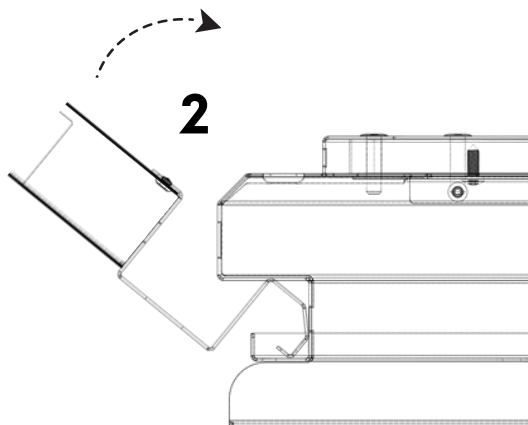
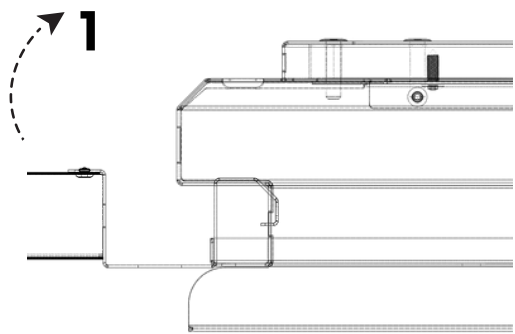


1

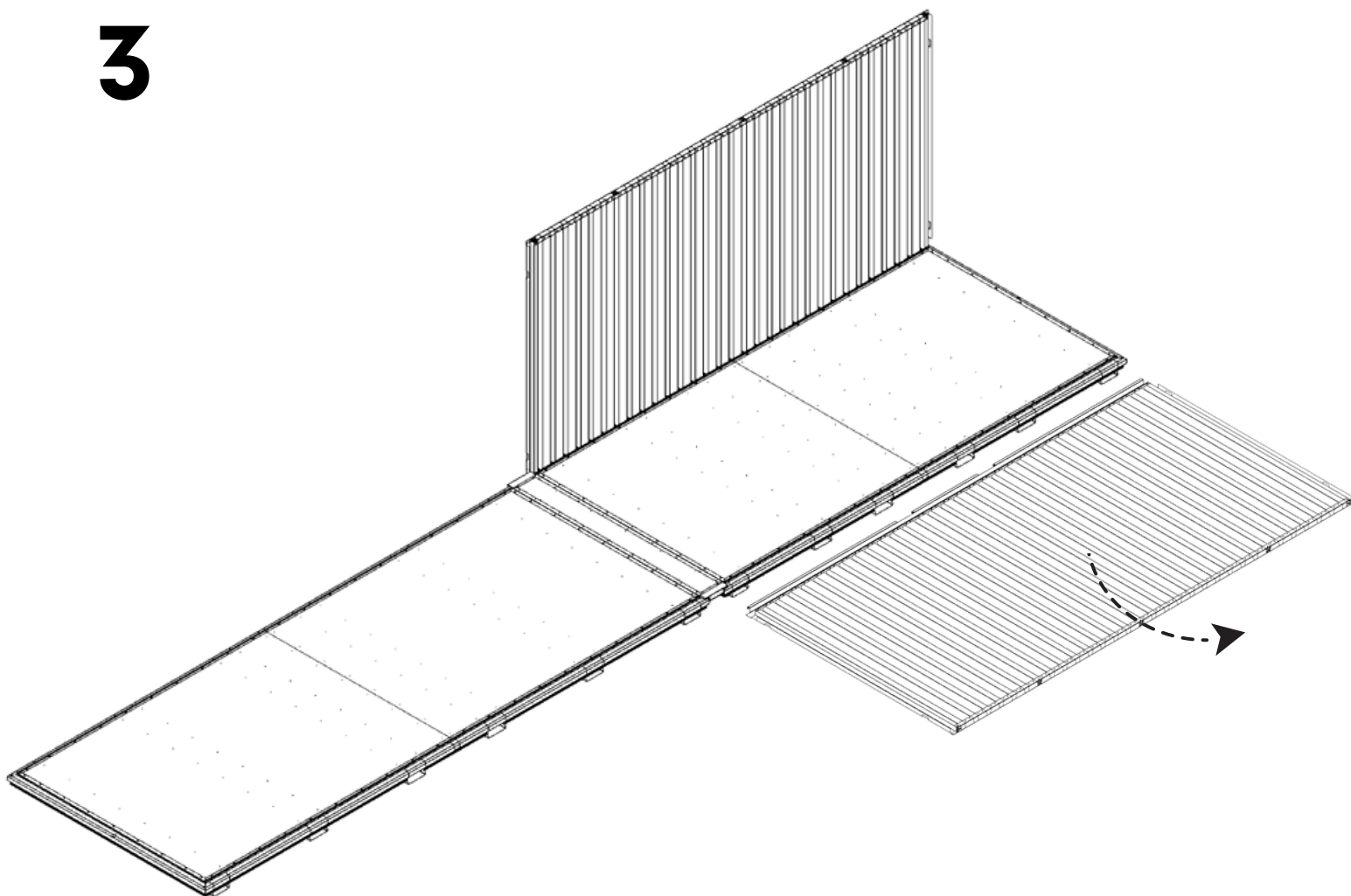


2

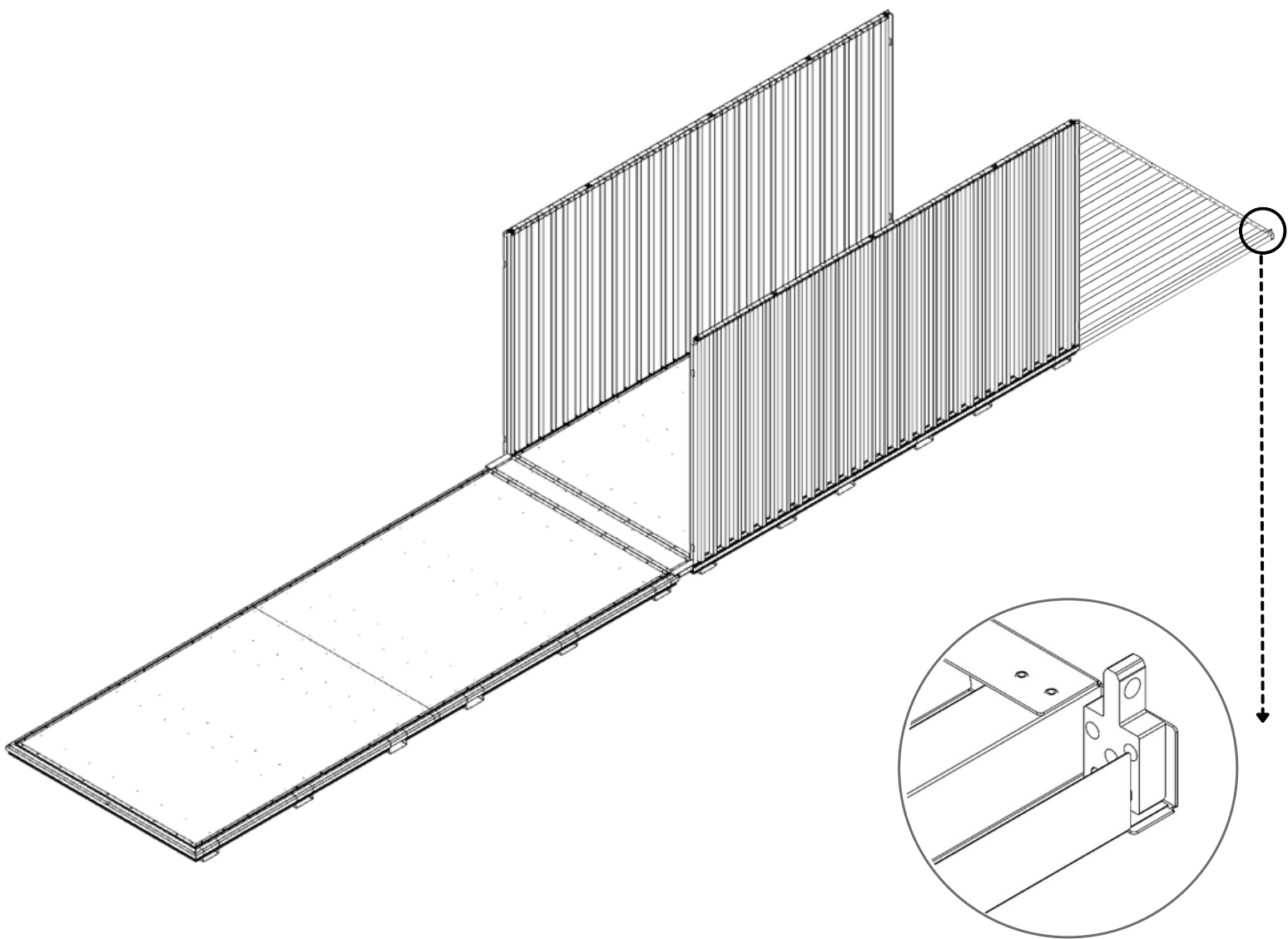




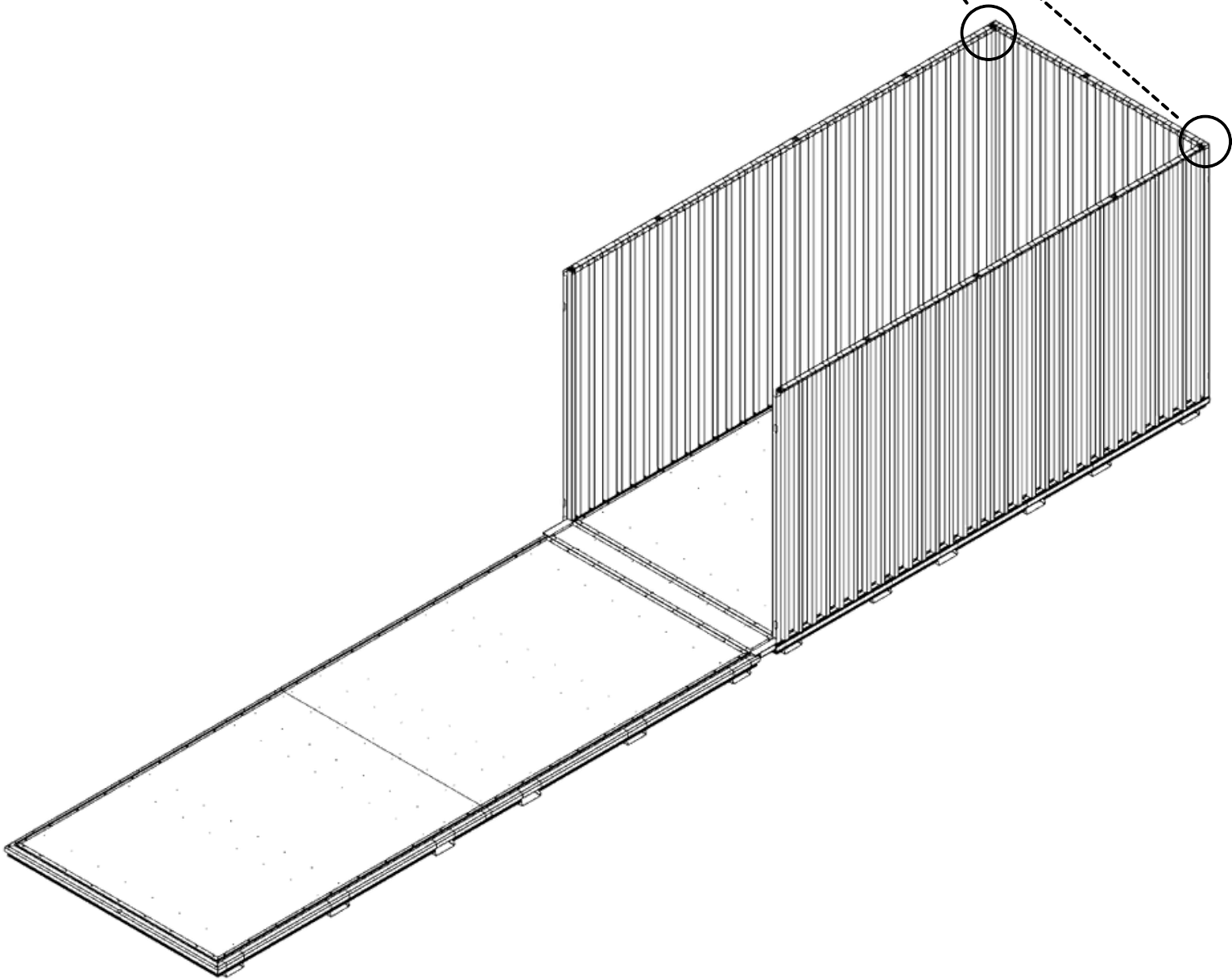
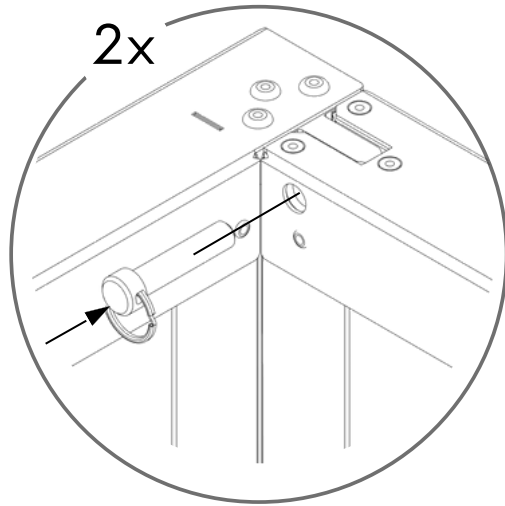
**3**



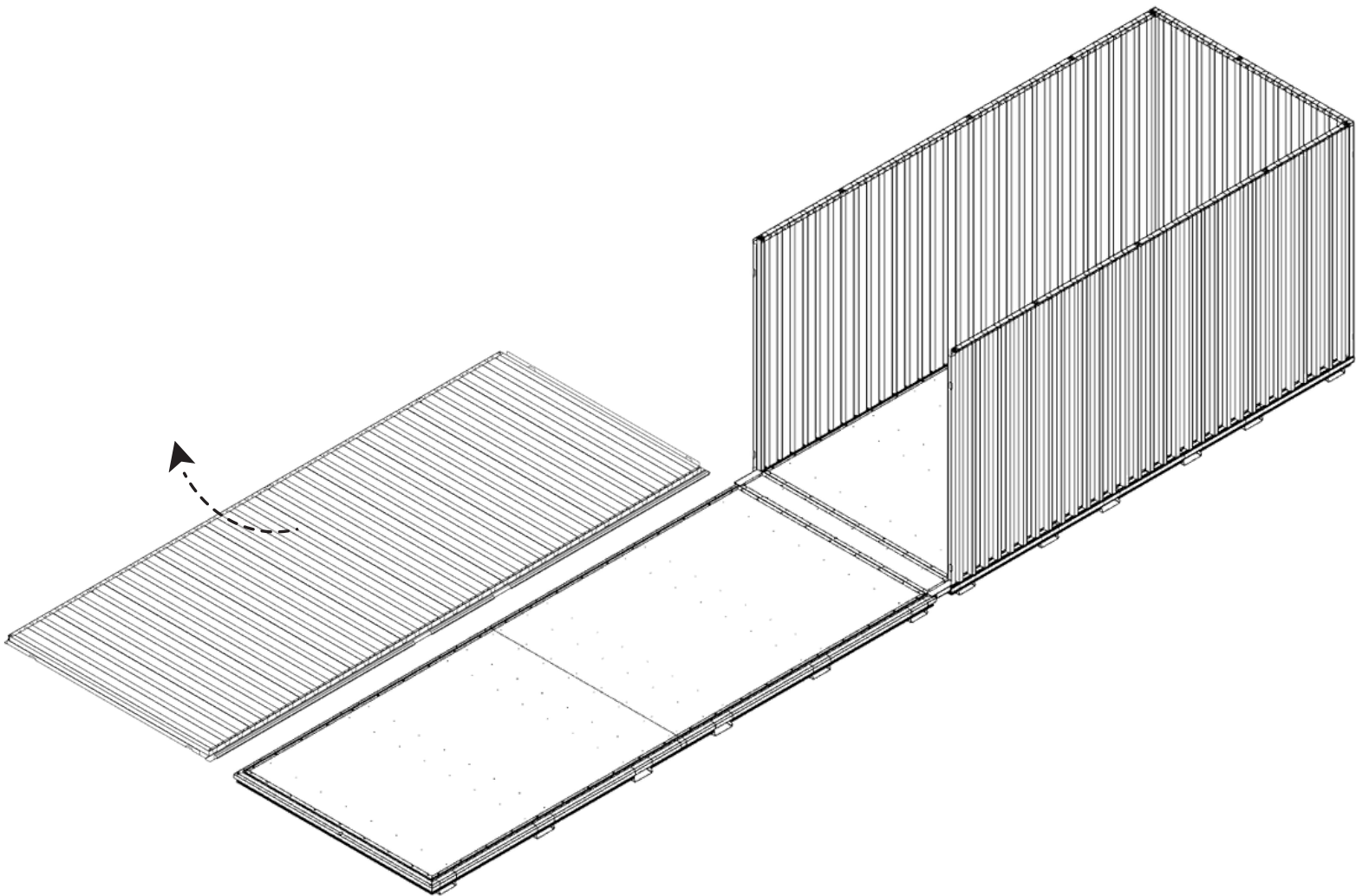
4



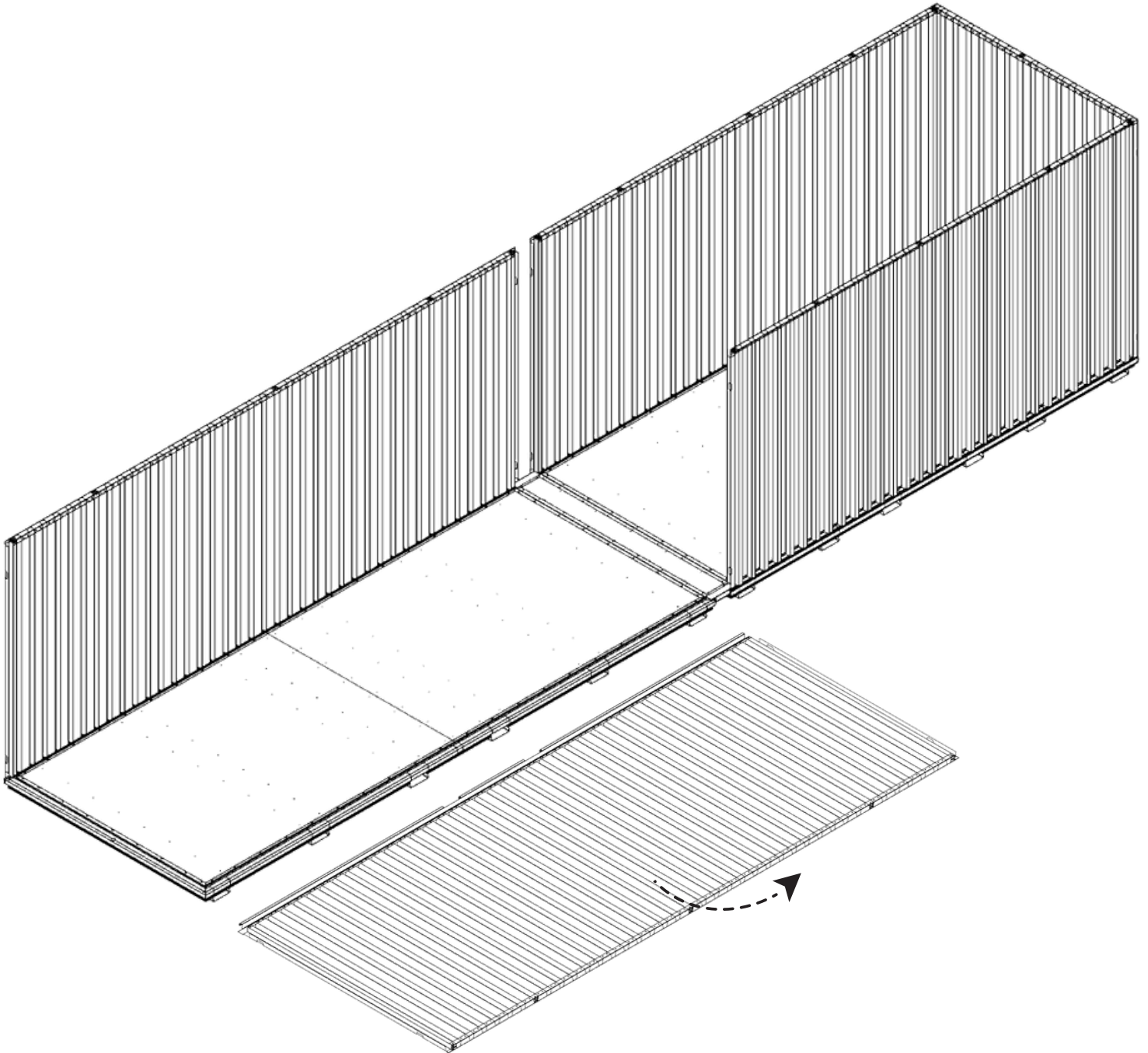
# 4.1



5

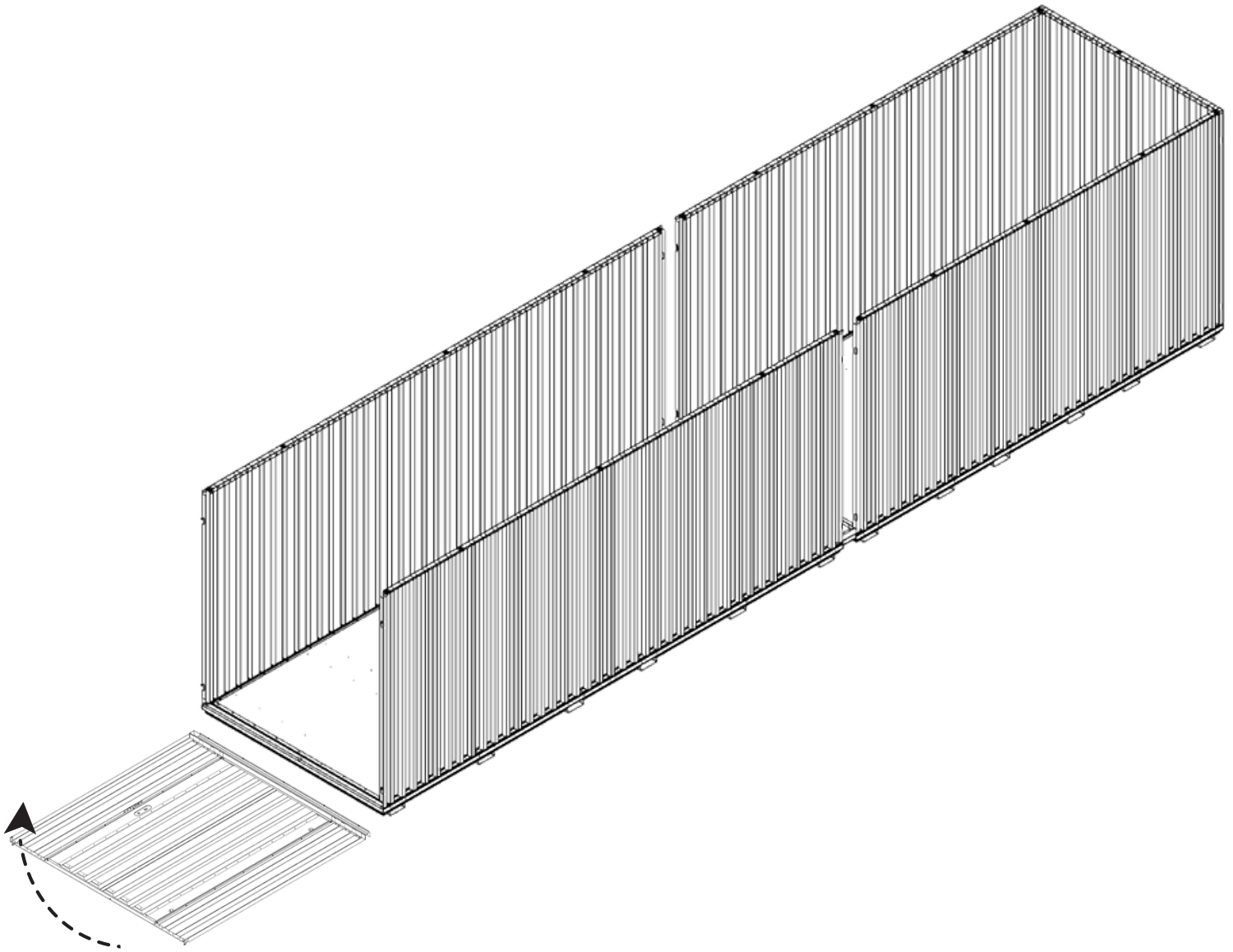


6

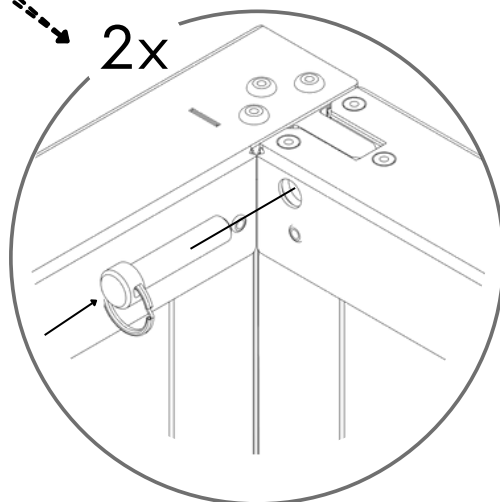
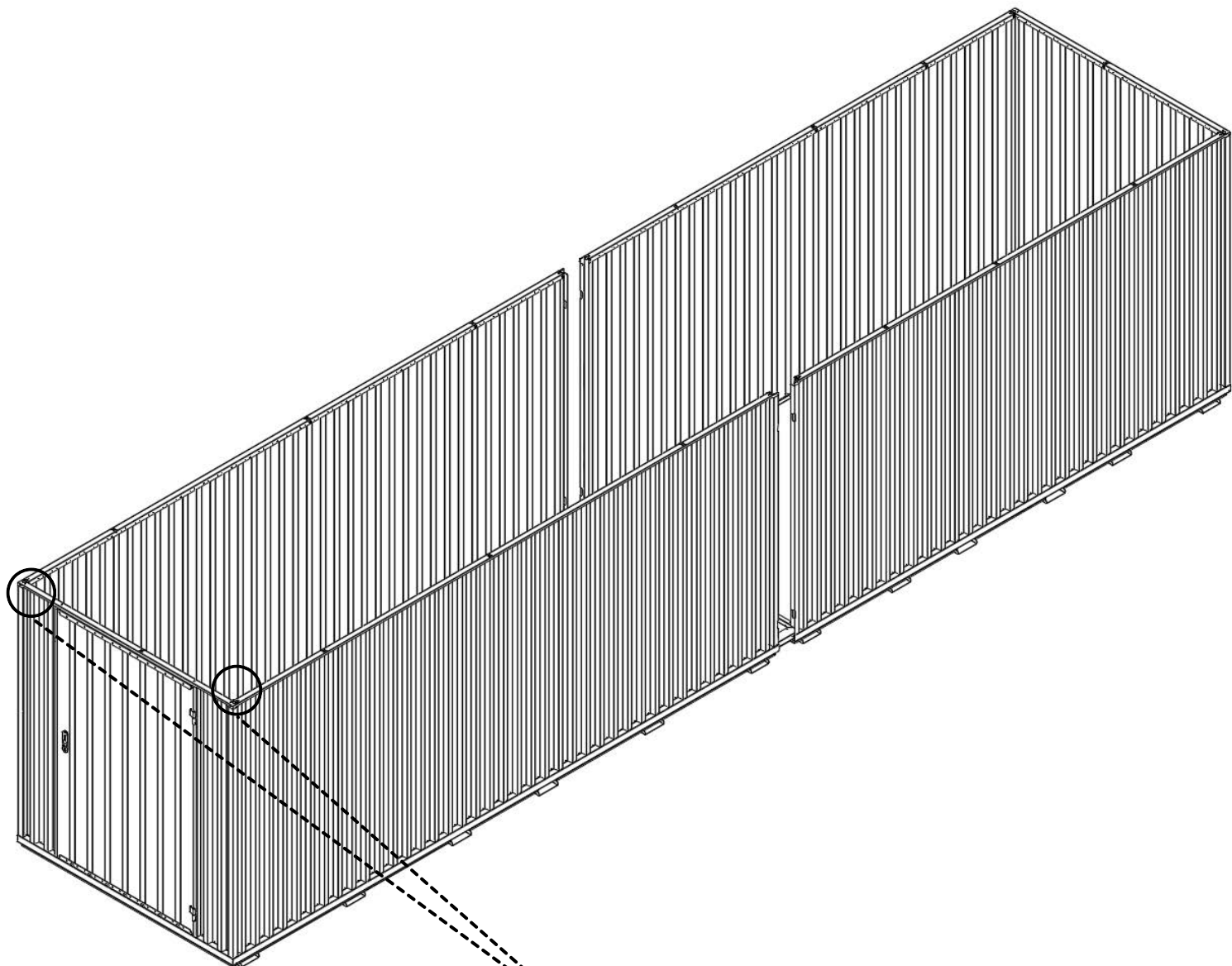




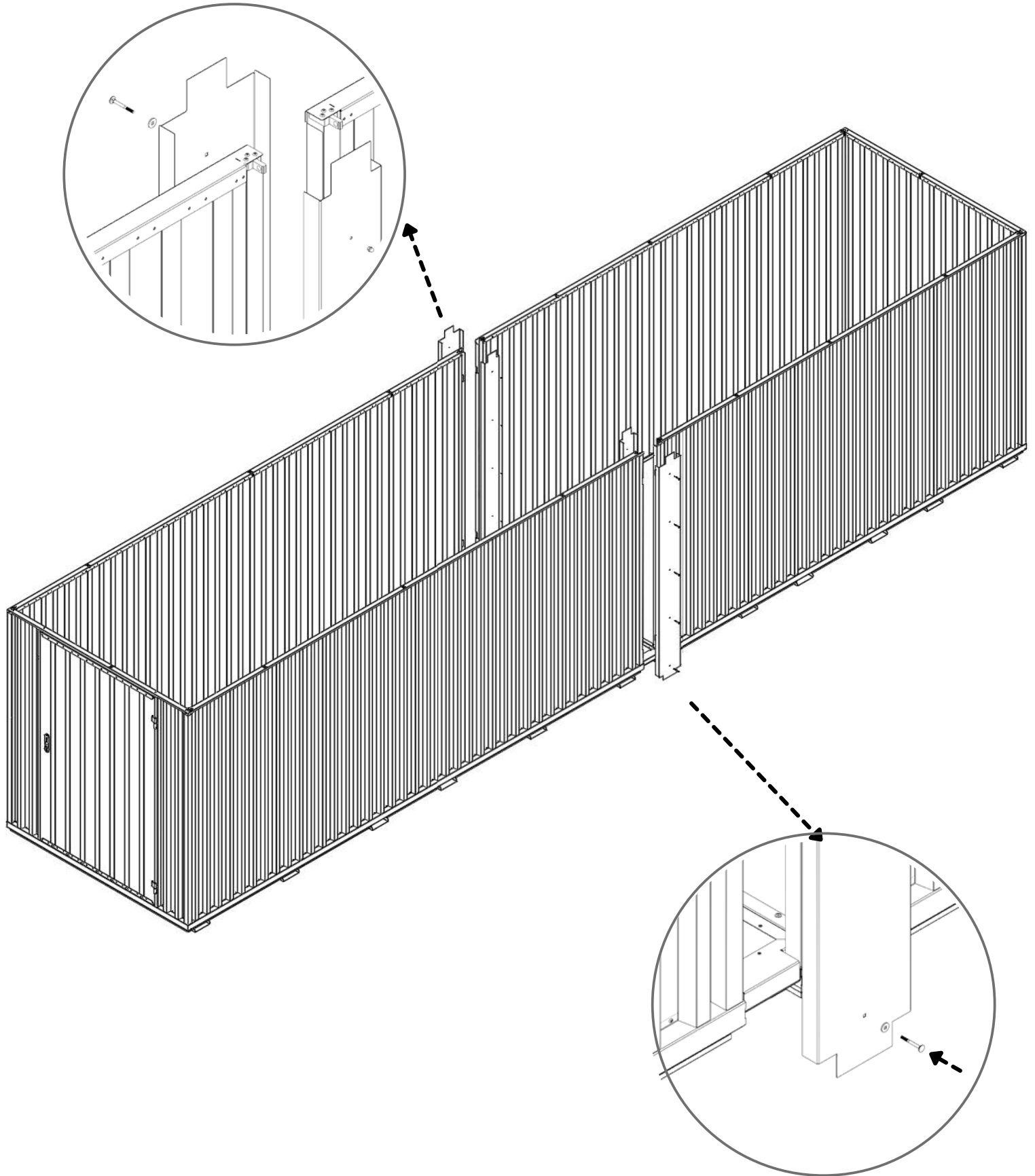
7



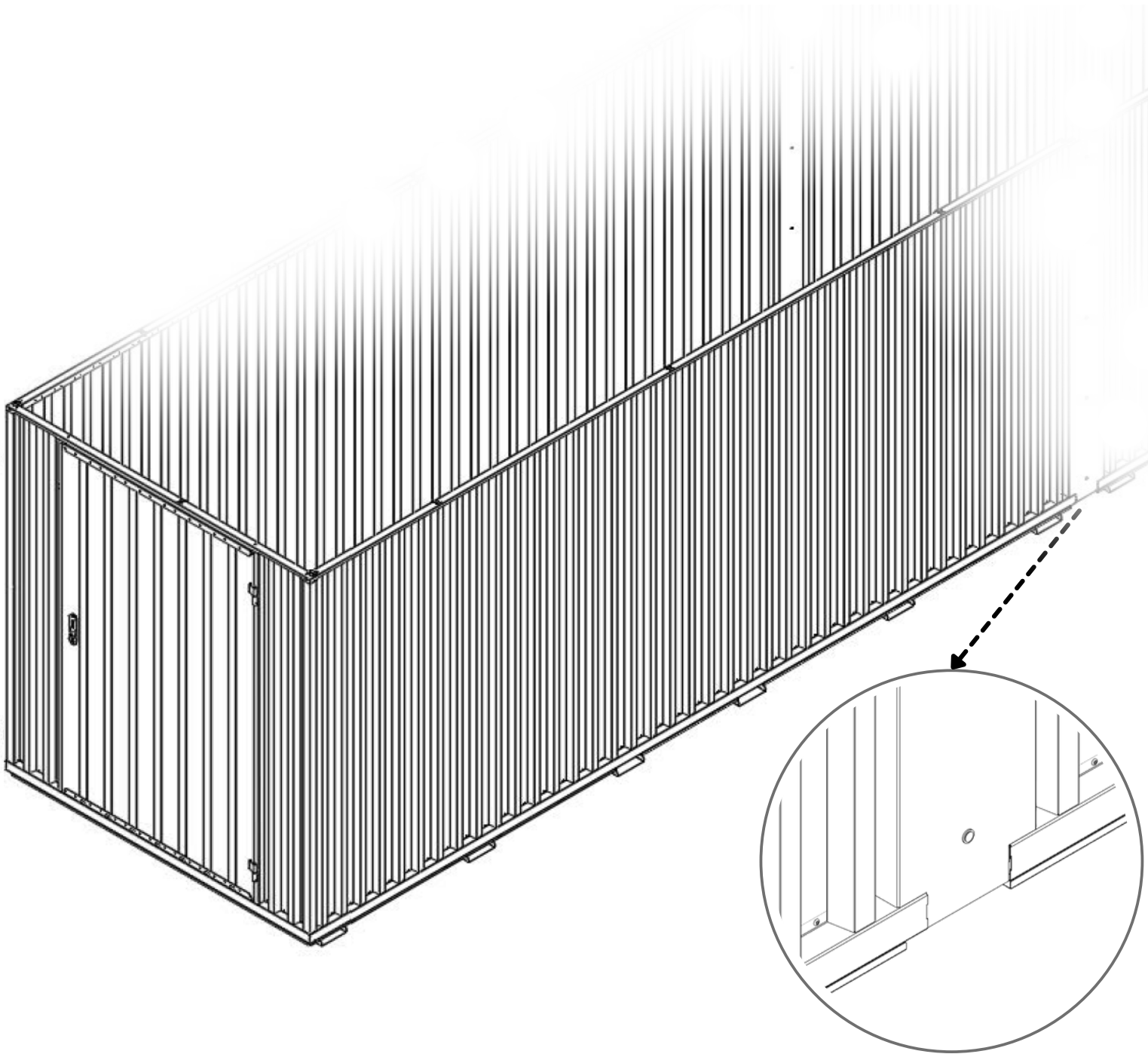
# 7.1



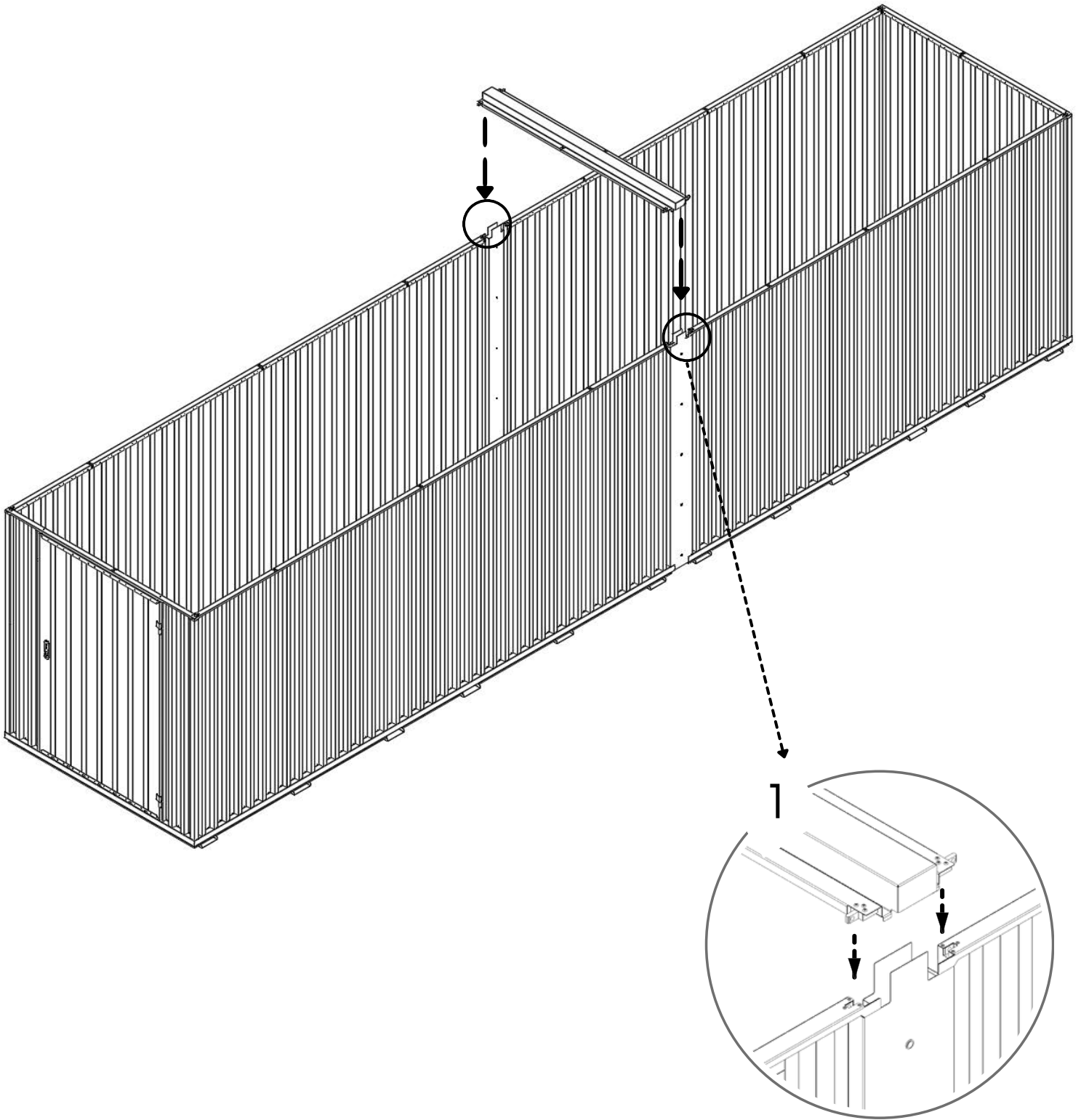
8



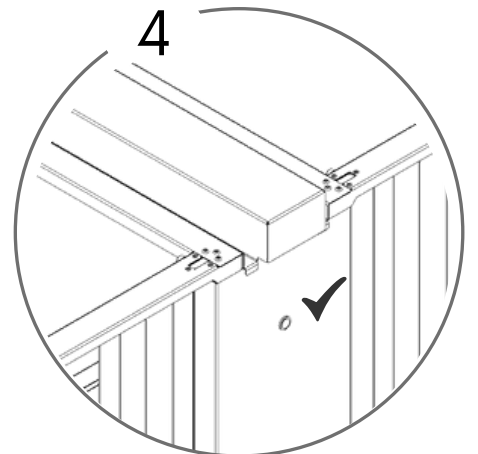
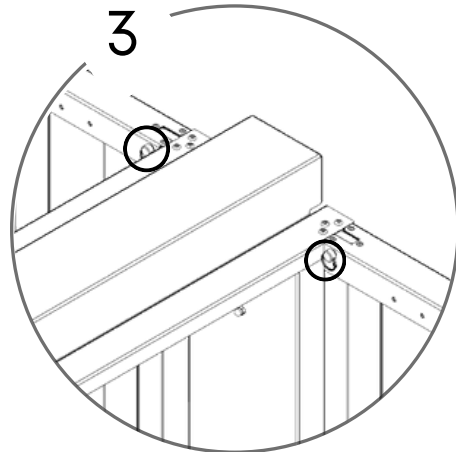
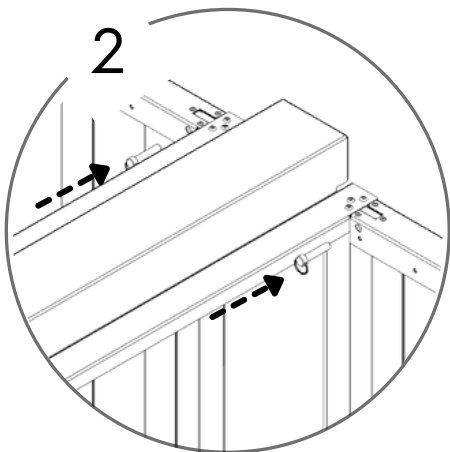
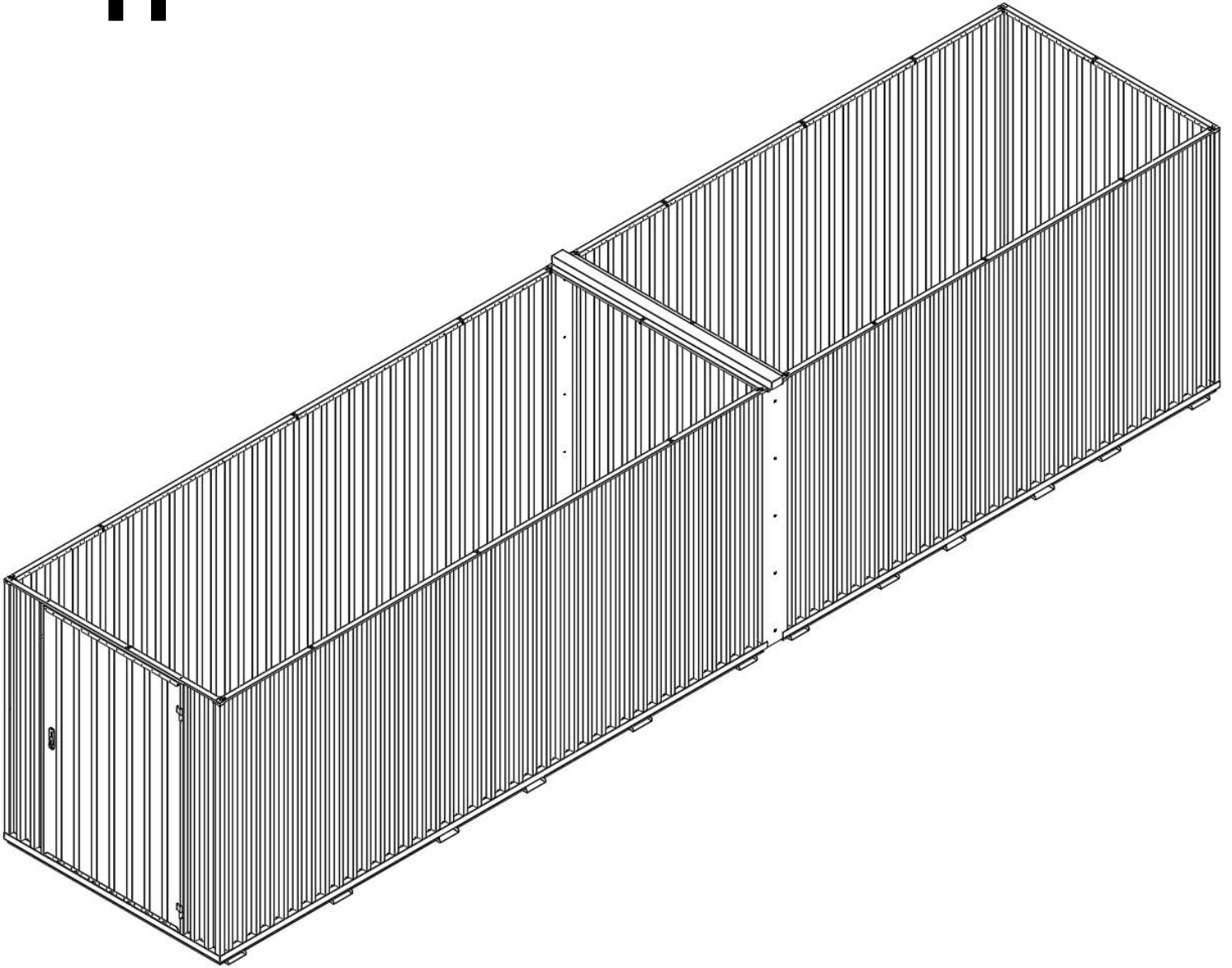
9











# 10

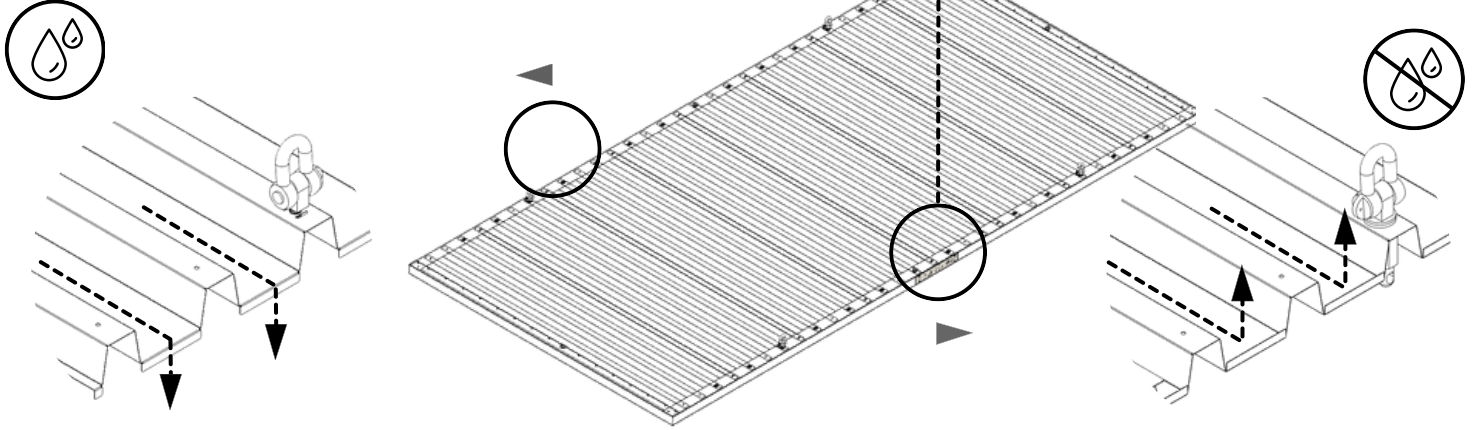


# 11

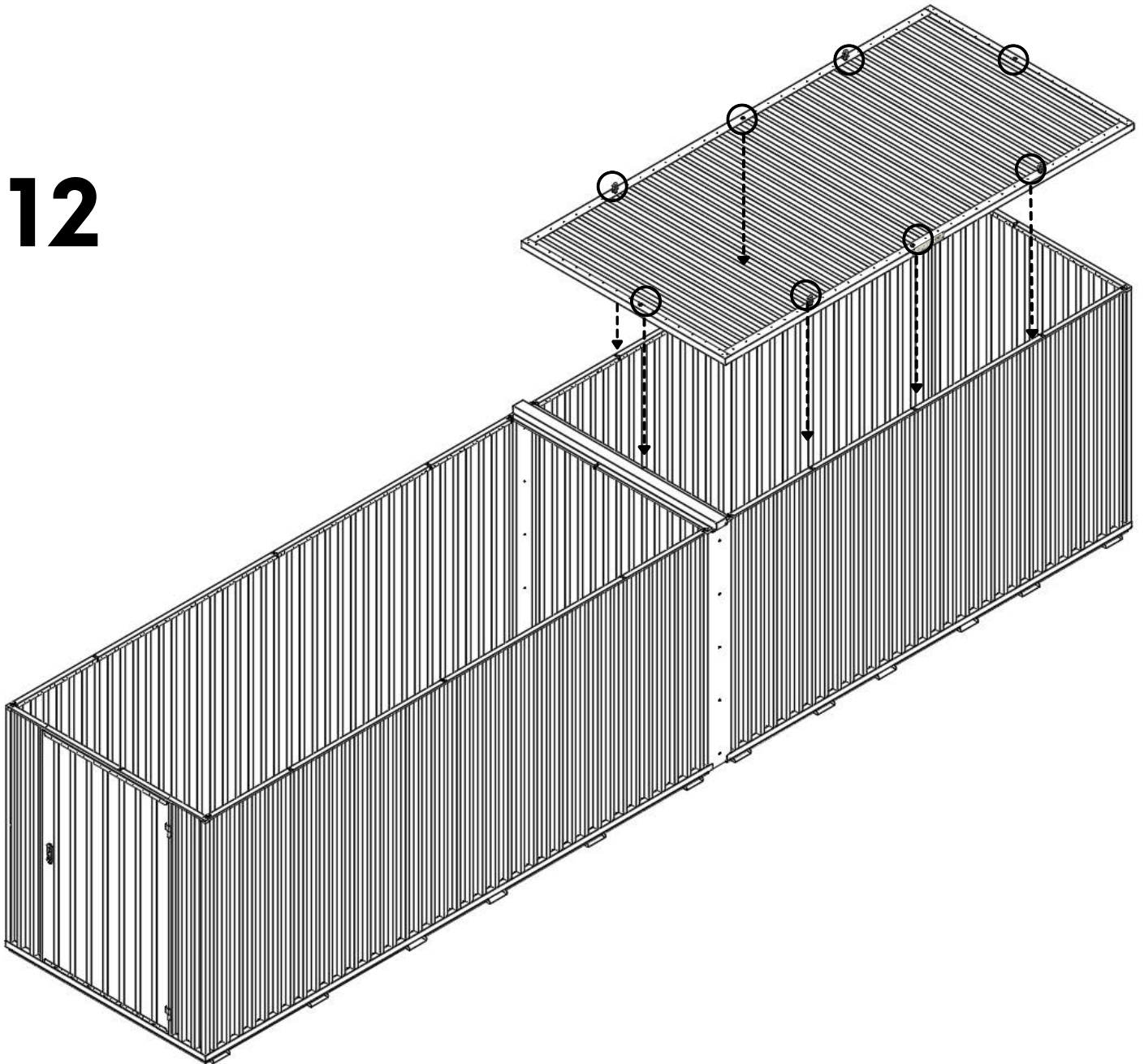




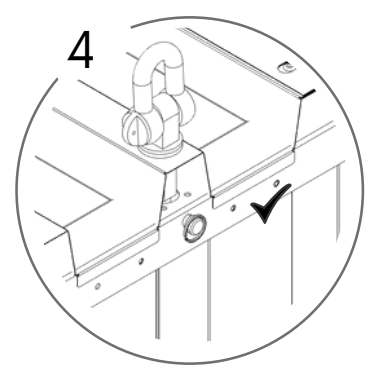
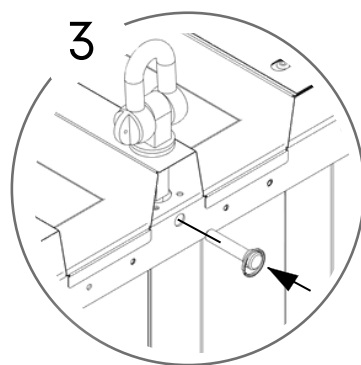
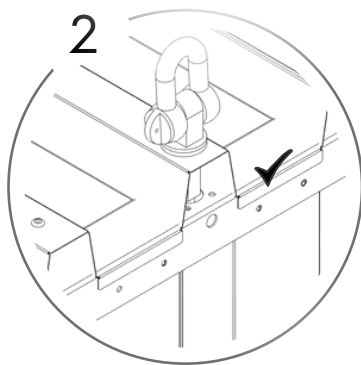
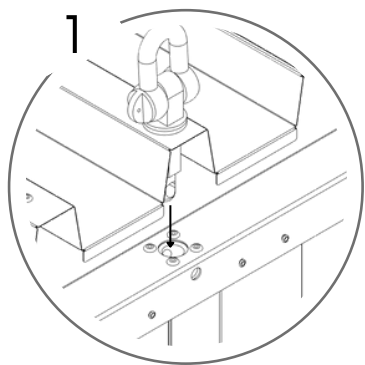
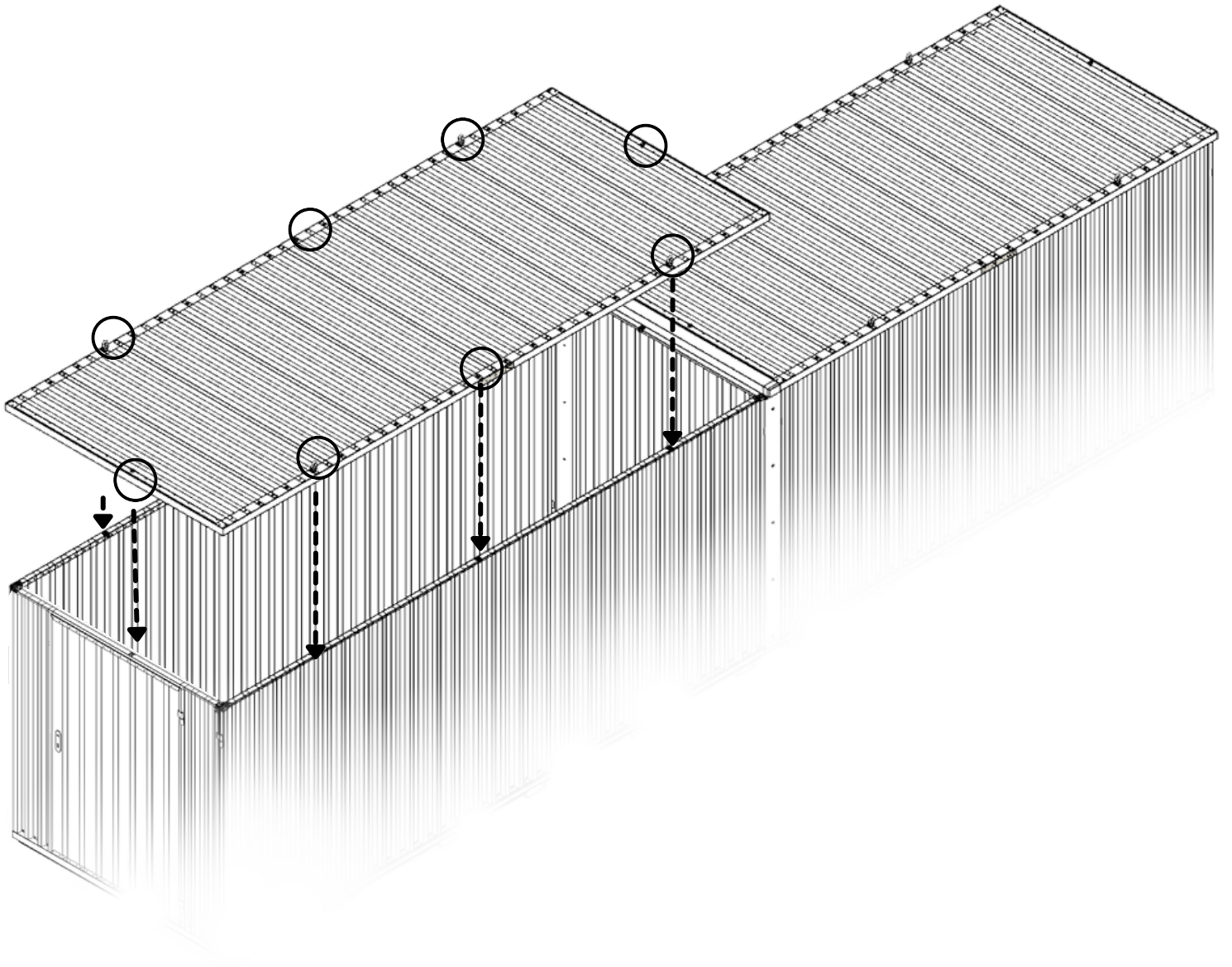
 868 KG	 1640 MM	Model Code: 5040.110.320 Production Tracking Code: ...../X09.1.5040.320	 <b>ISO</b> 9001	 <b>ISO</b> 14001	 <b>ISO</b> 50001			
---	--	---	--	---	---	---	---	---



12

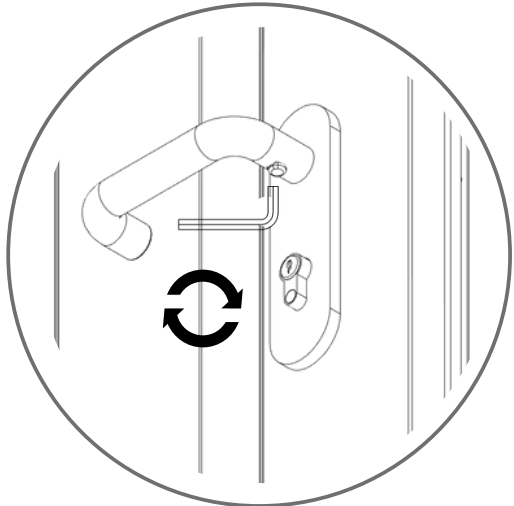
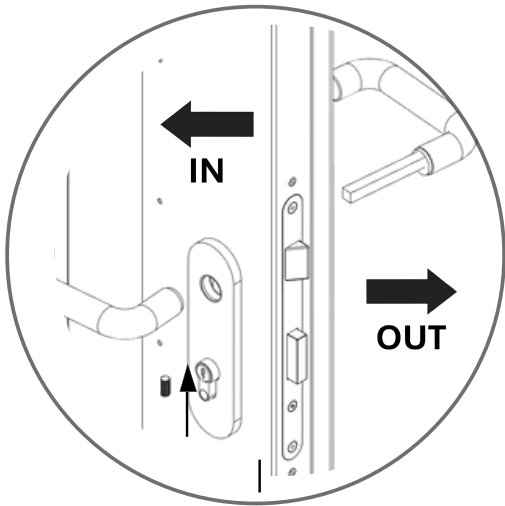
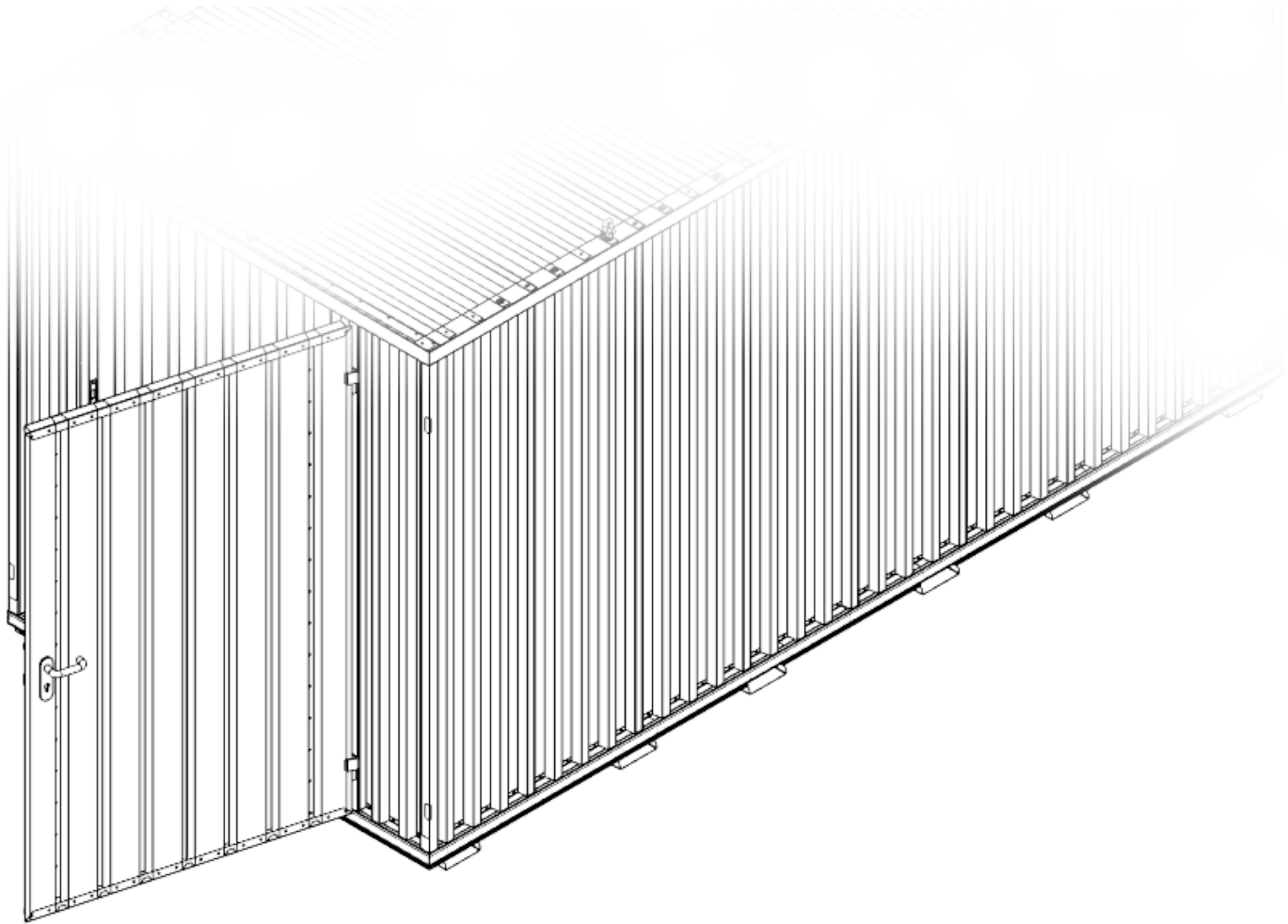


# 13





# 14



15

