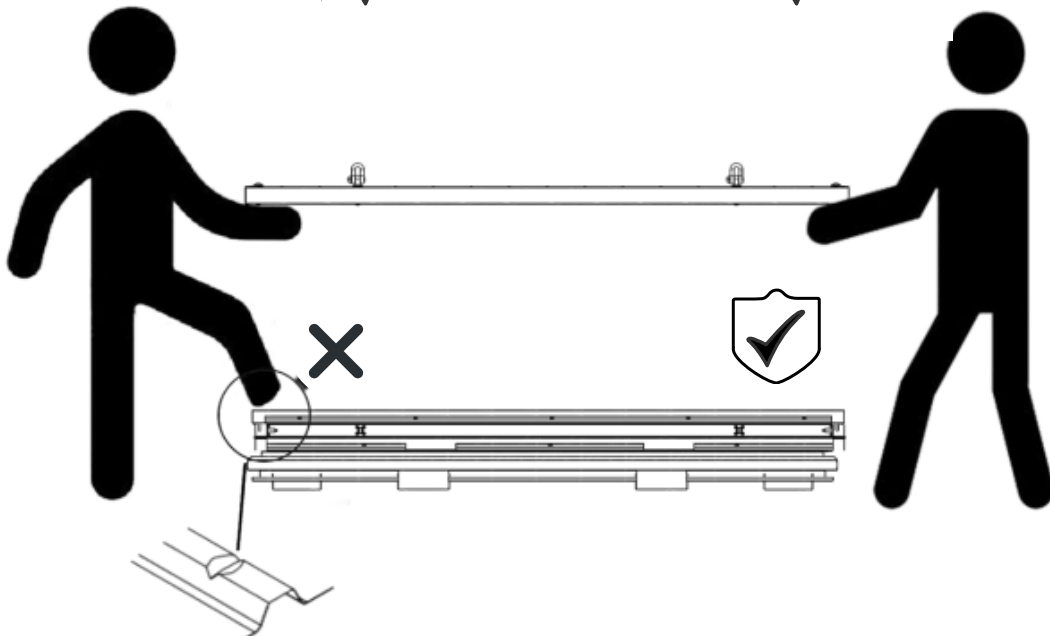
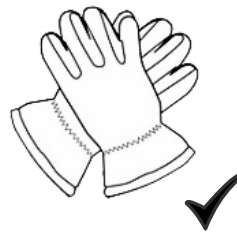


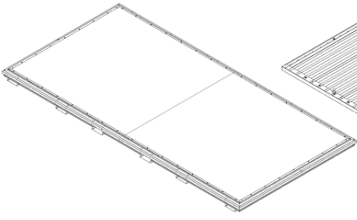
PRODUCT CODE:40.110.430.330

**prefabase**  
Quick Build Solutions

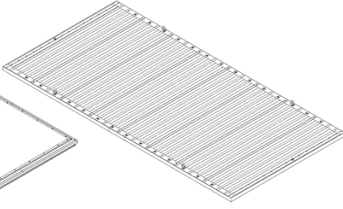
Instructions and User Guide



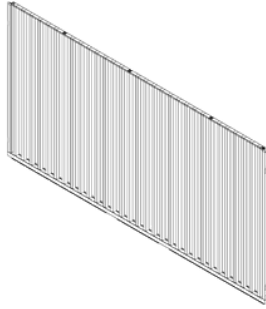
40.0110  
1x



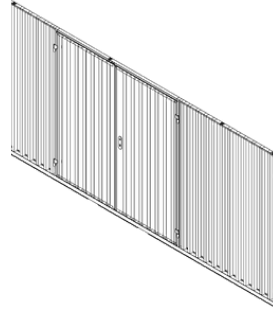
40.0510  
1x



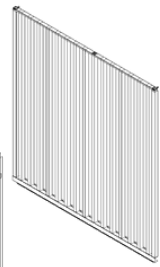
40.0410  
1x



40.0430  
1x



0310  
1x



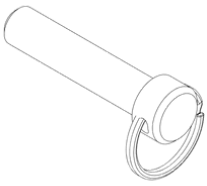
0330  
1x



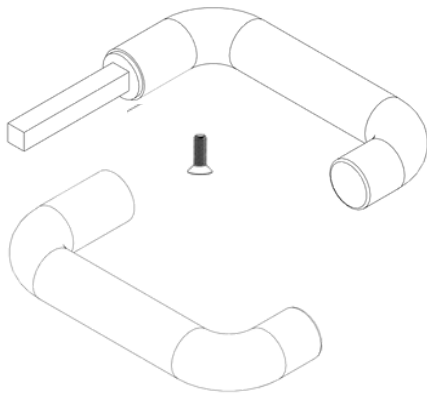
61.101  
2x



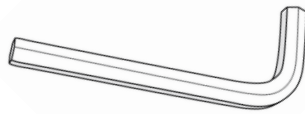
12x



2x



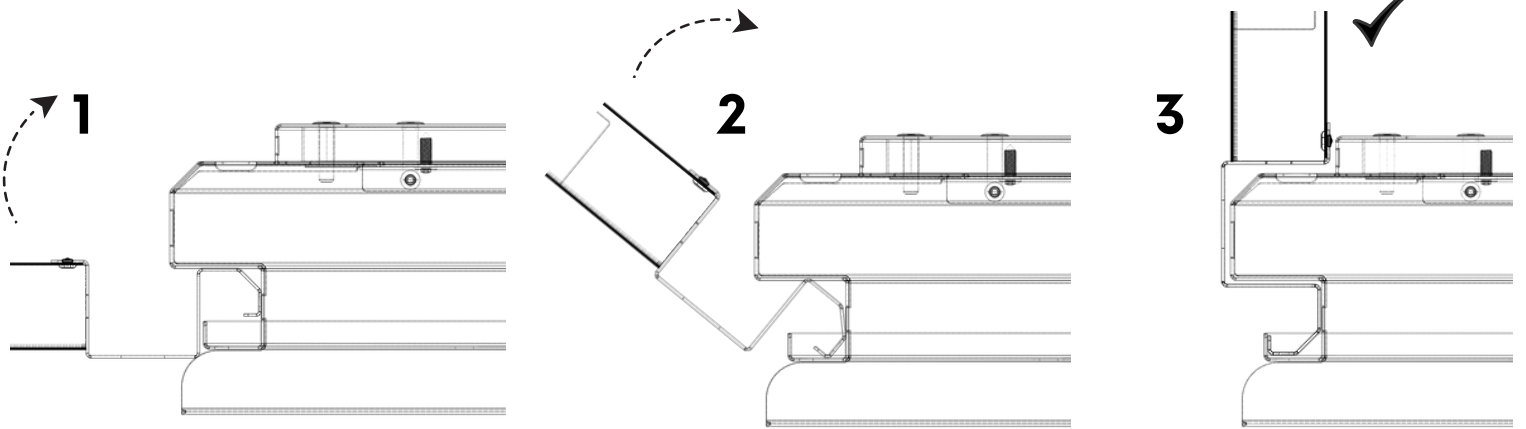
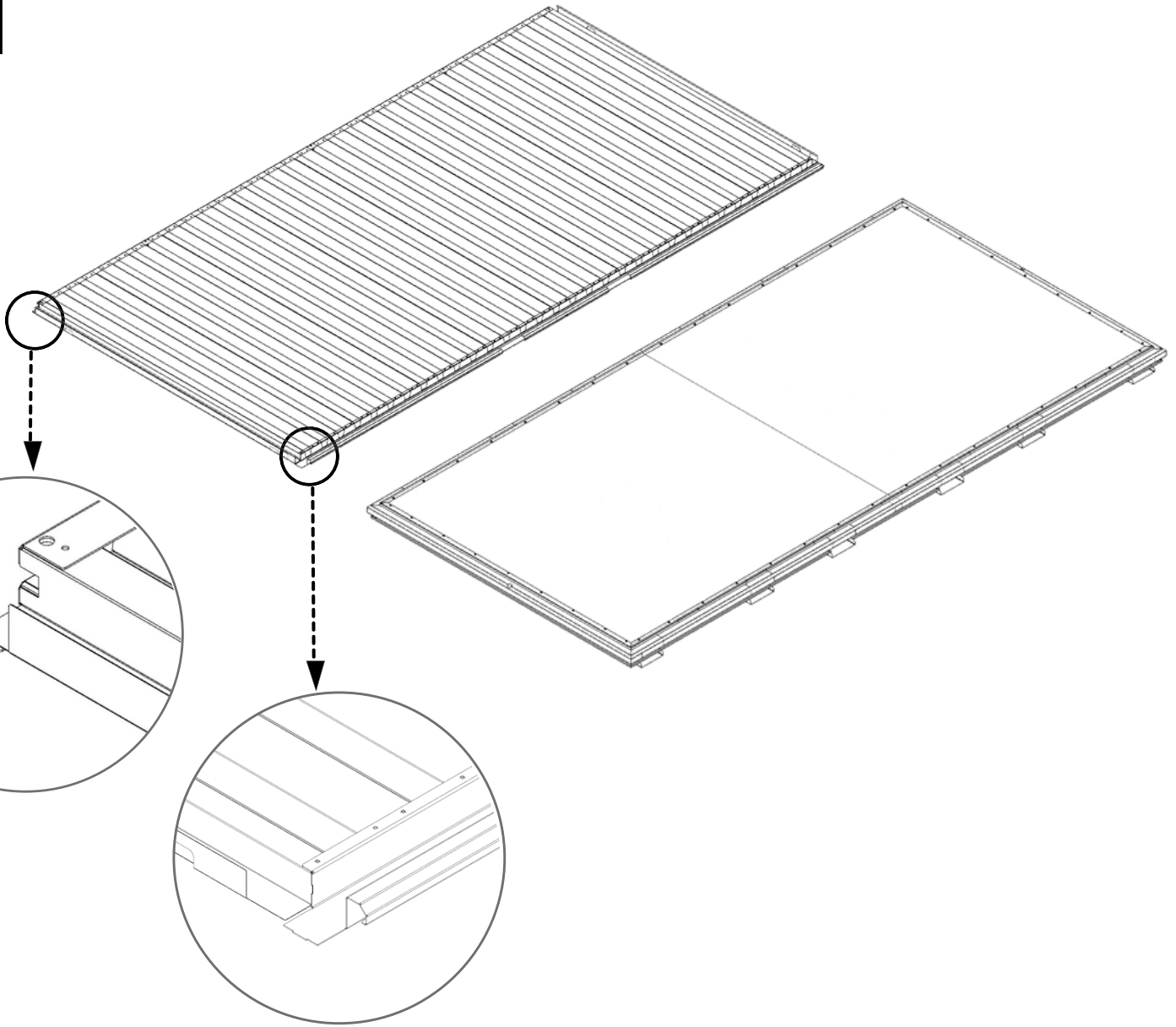
1x



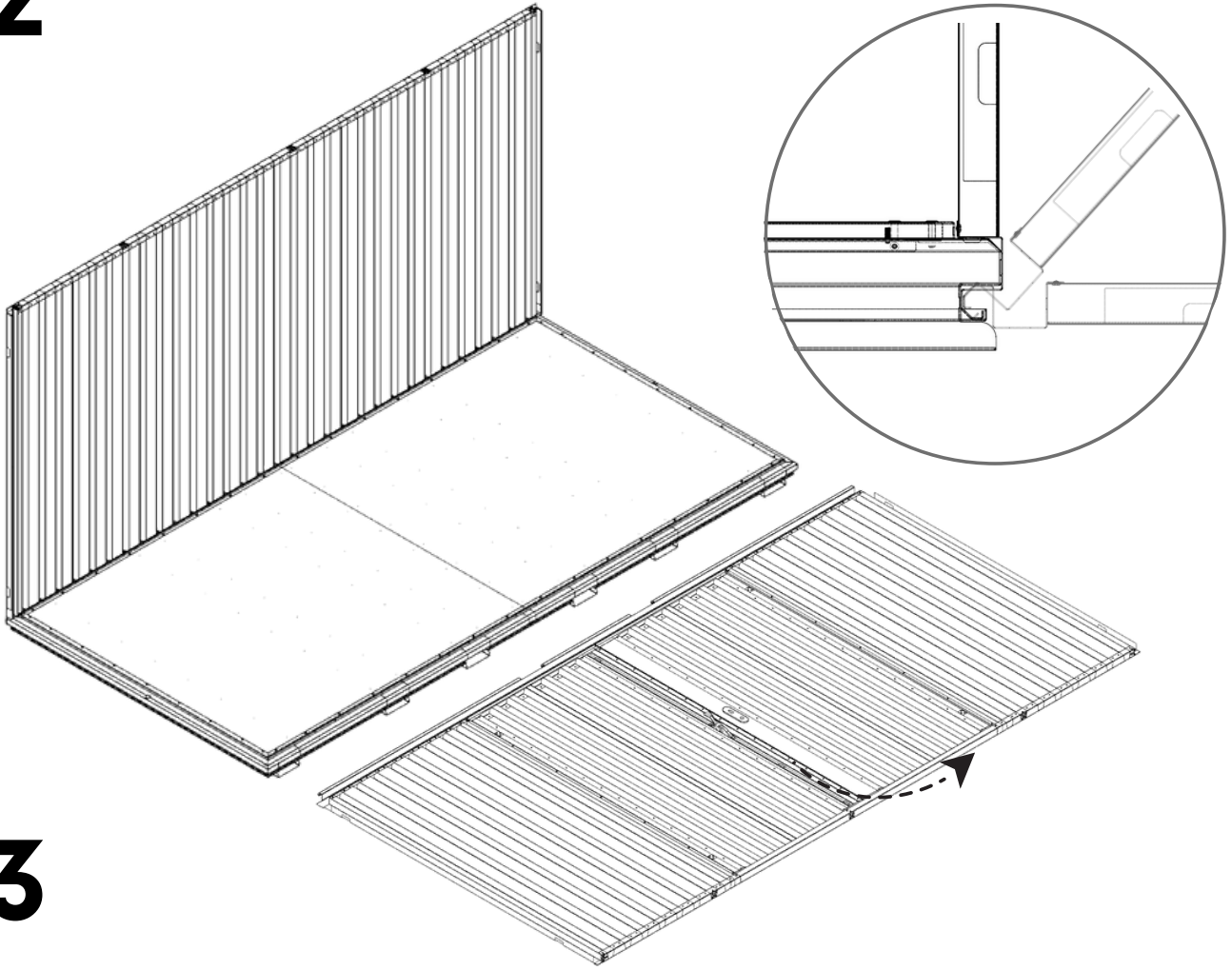
2x



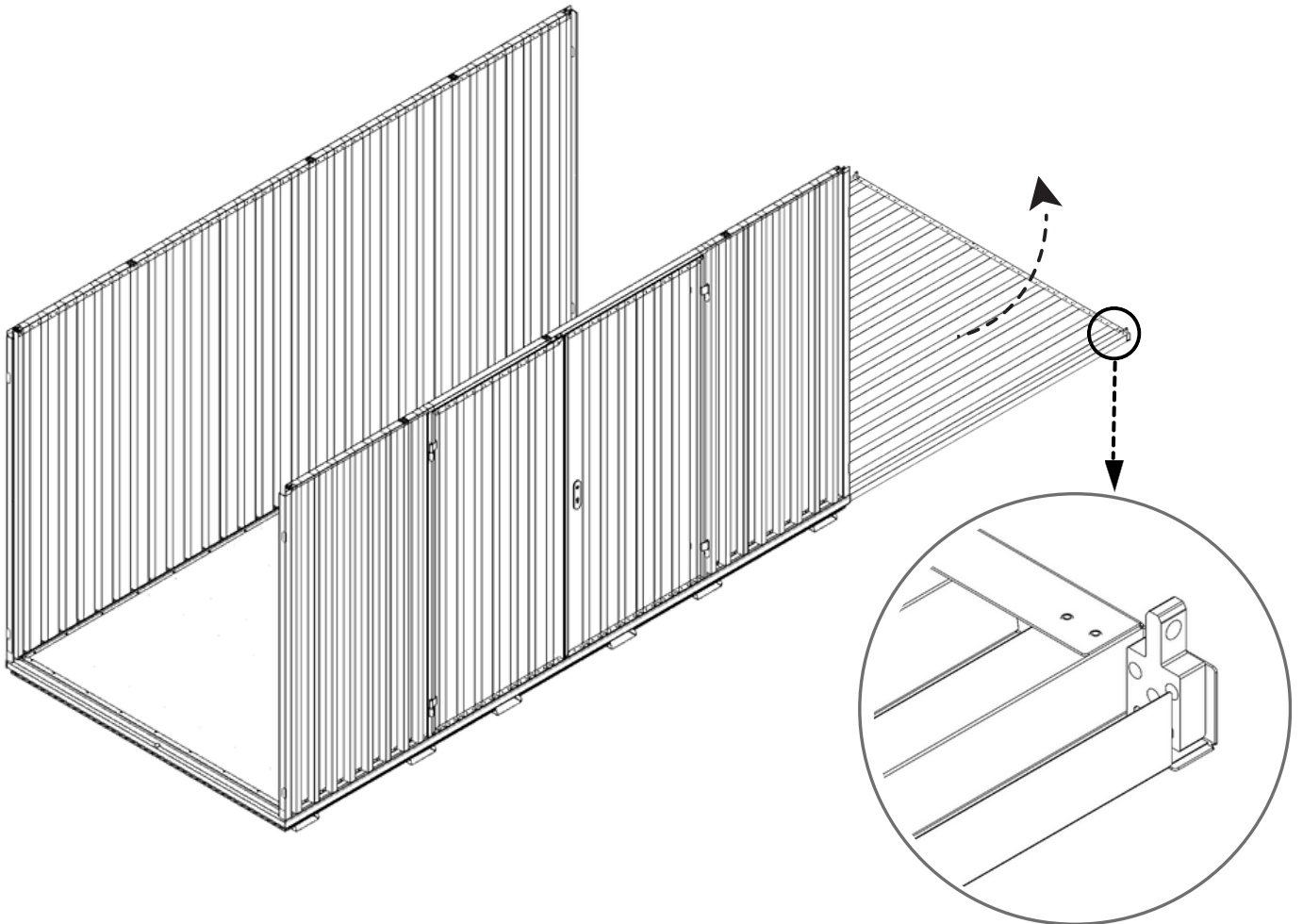
# 1



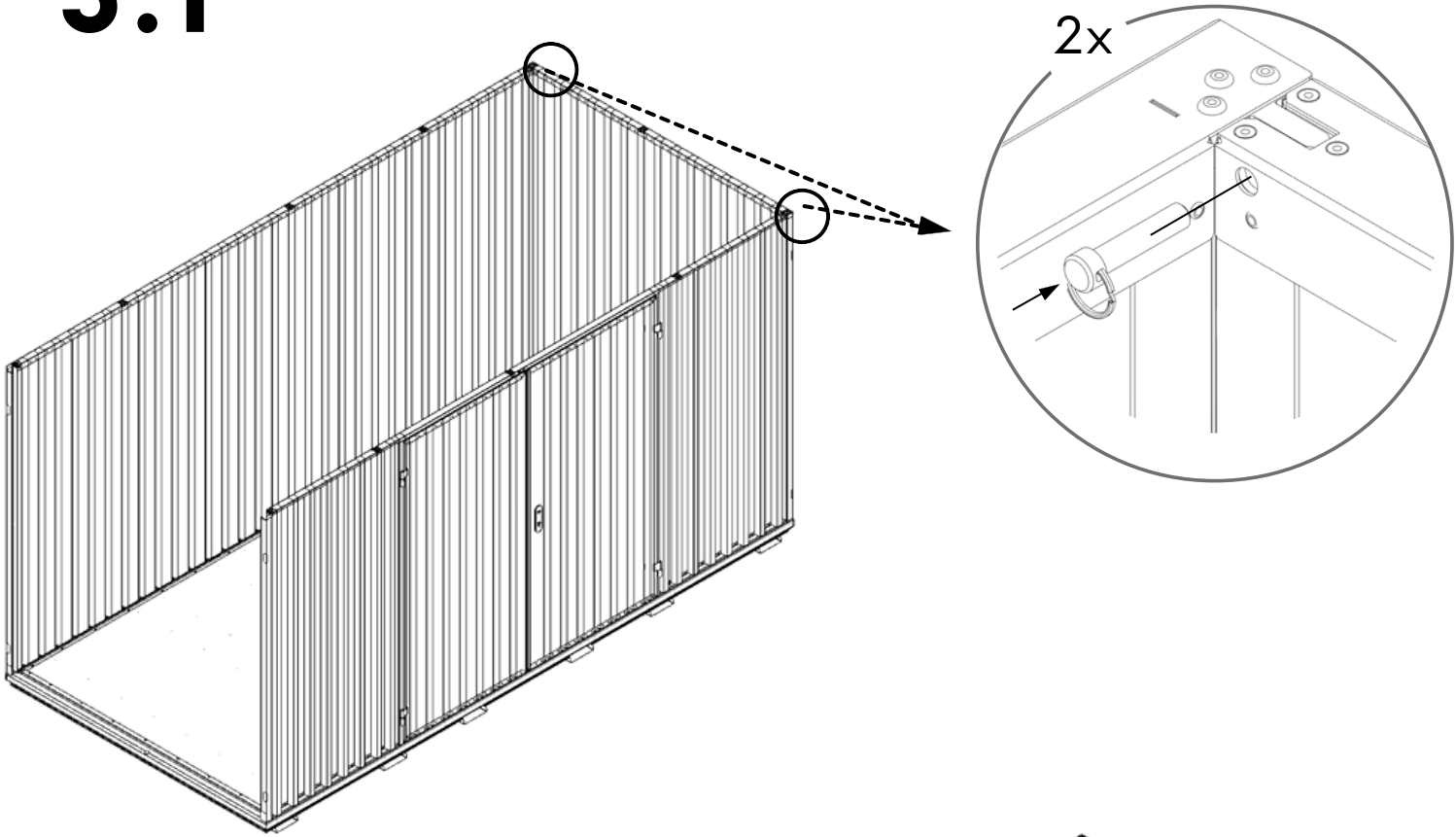
**2**



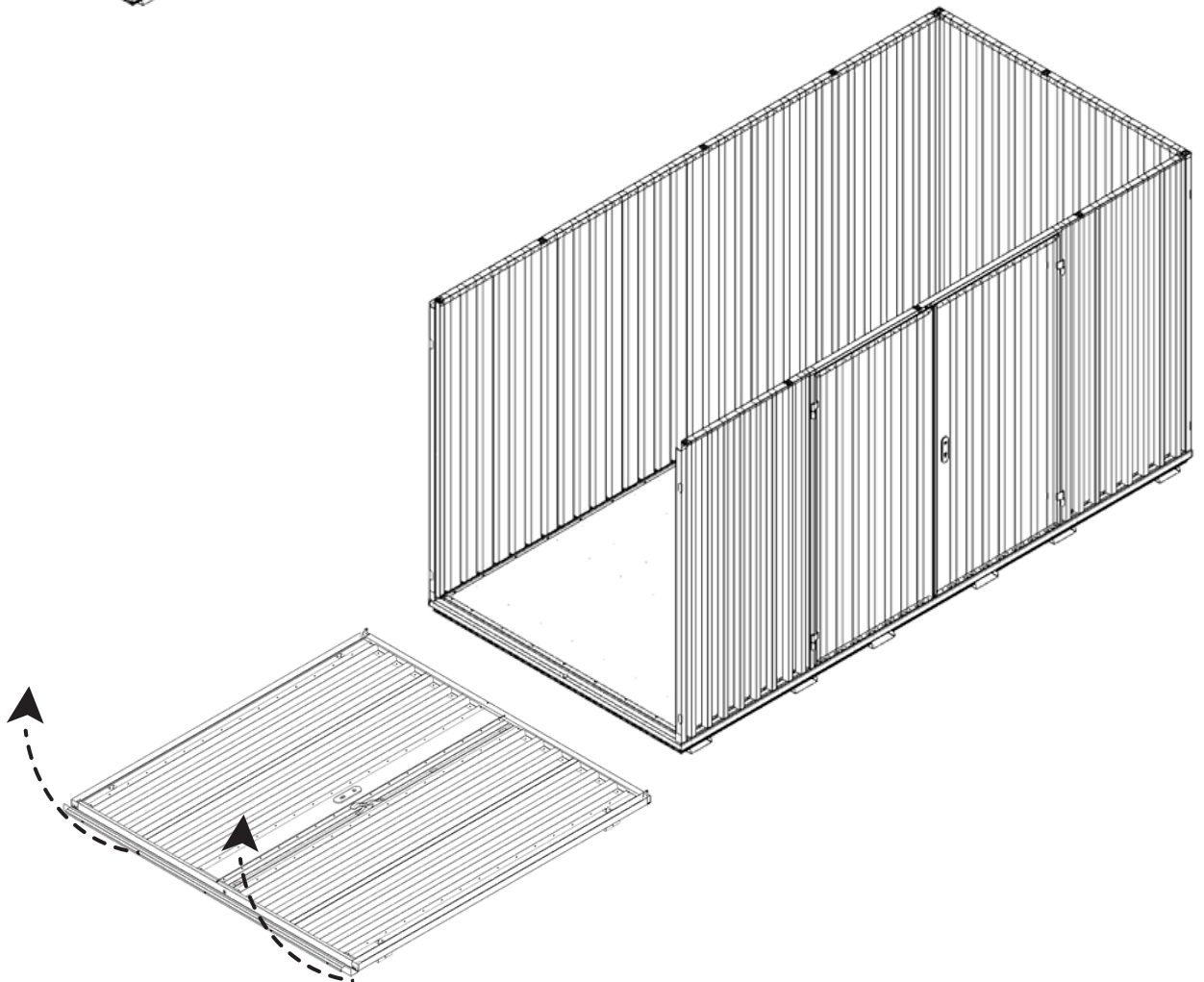
**3**



# 3.1

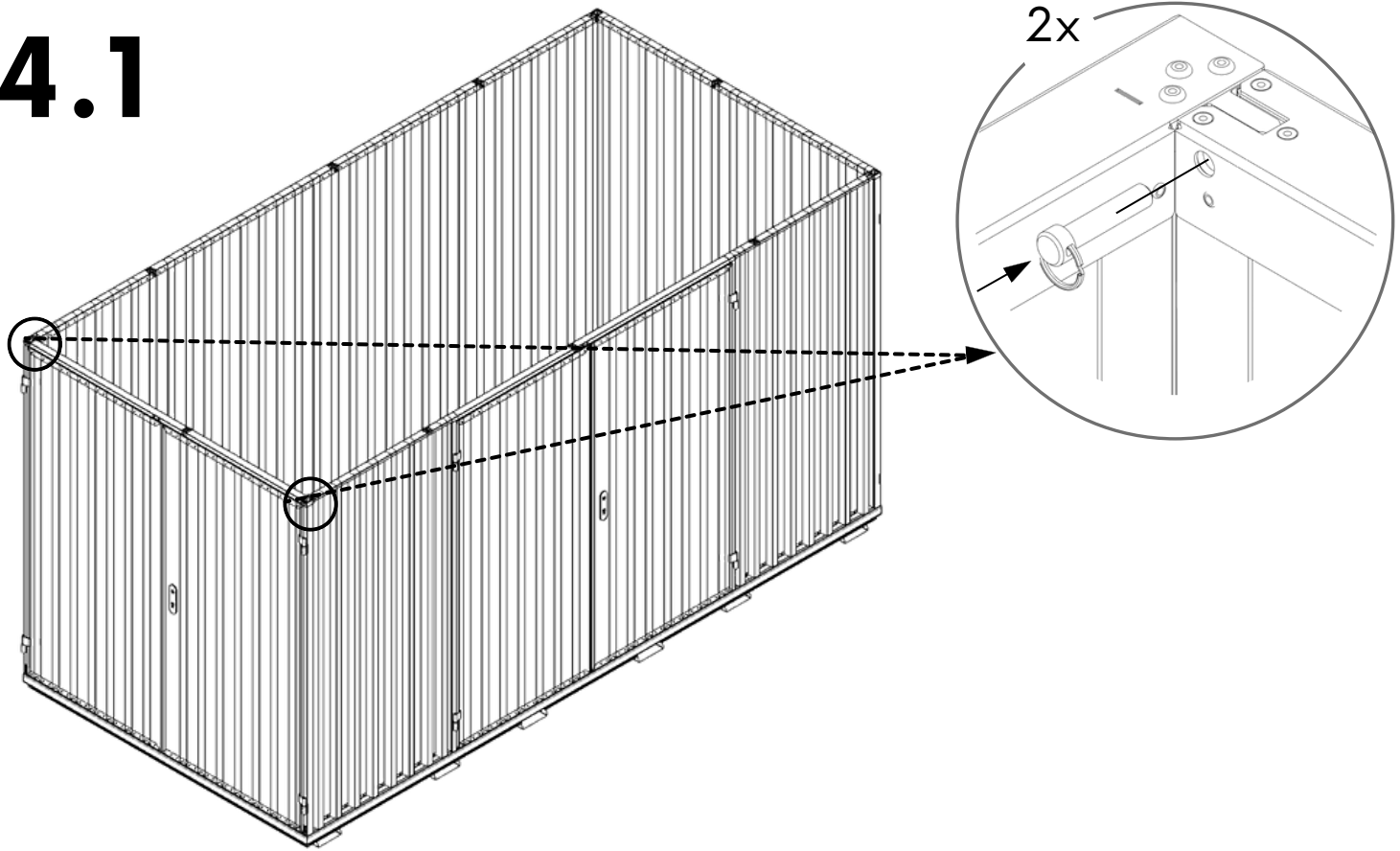










# 4

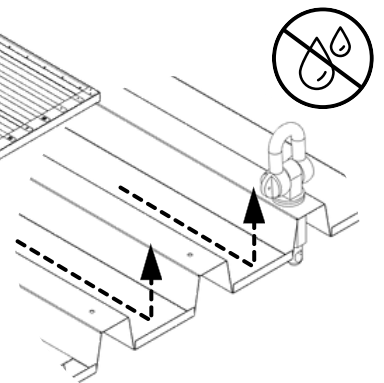
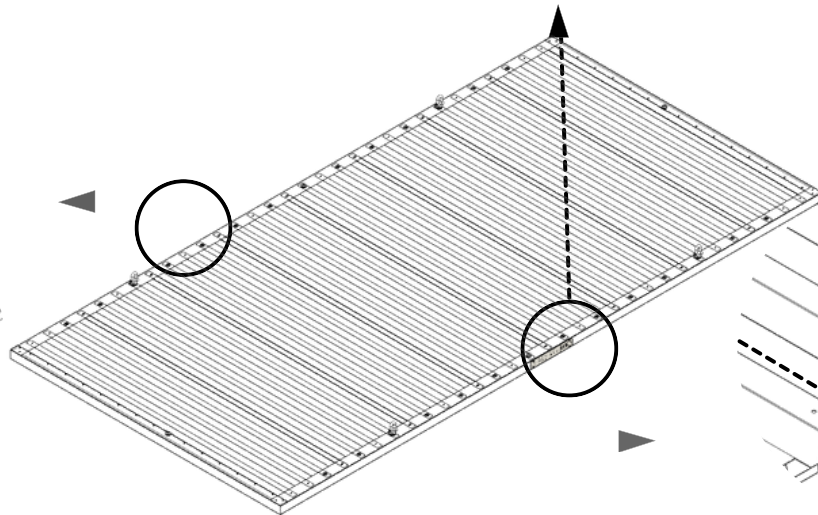
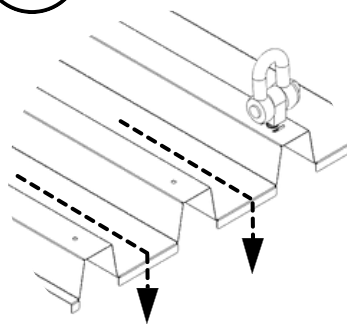




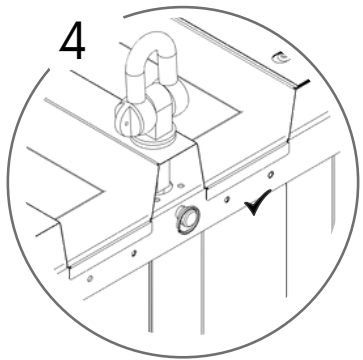
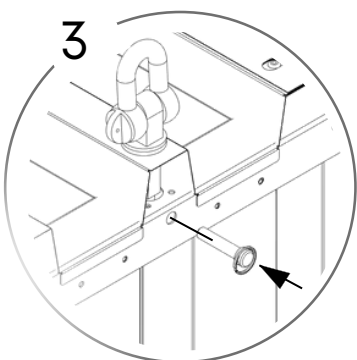
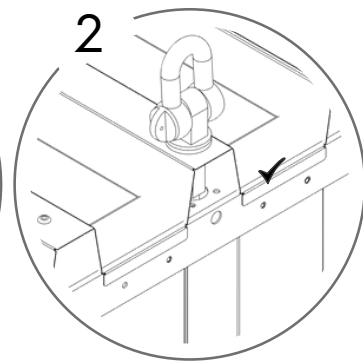
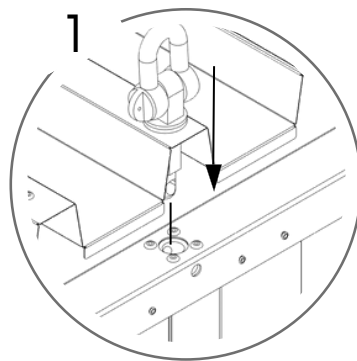
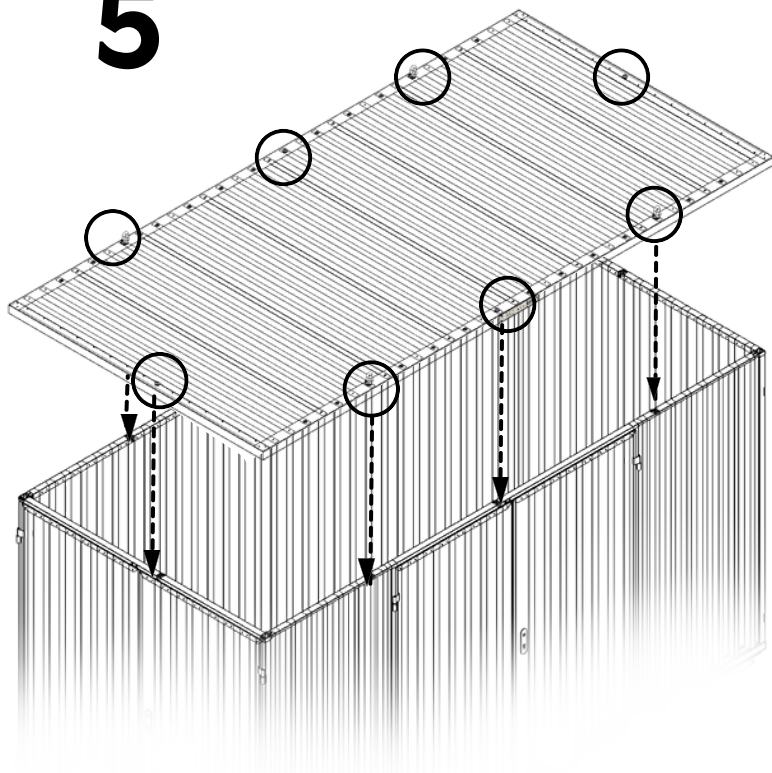
# 4.1



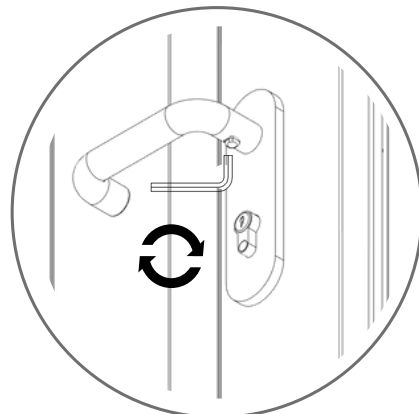
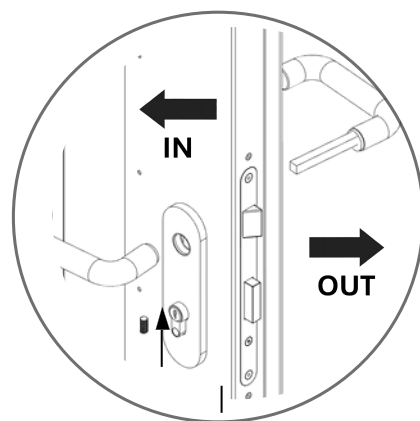
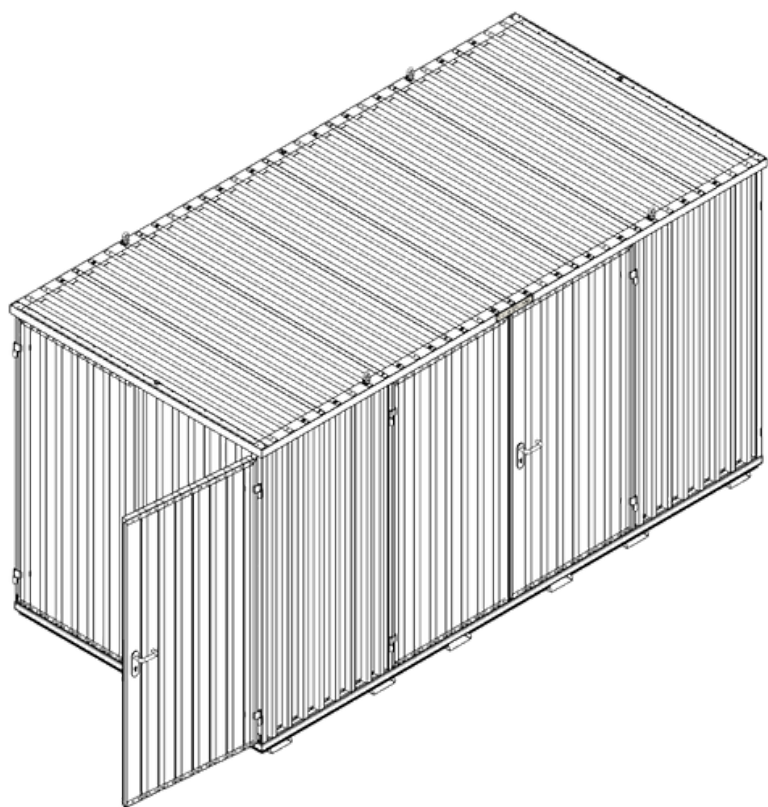
 457 KG	 1640 MM	Model Code: 40.110.430.330 Production Tracking Code: ..... /X09.1.40.430.330    9001      14001      50001	 	
---	--	---	---	---



# 5



# 6



7

