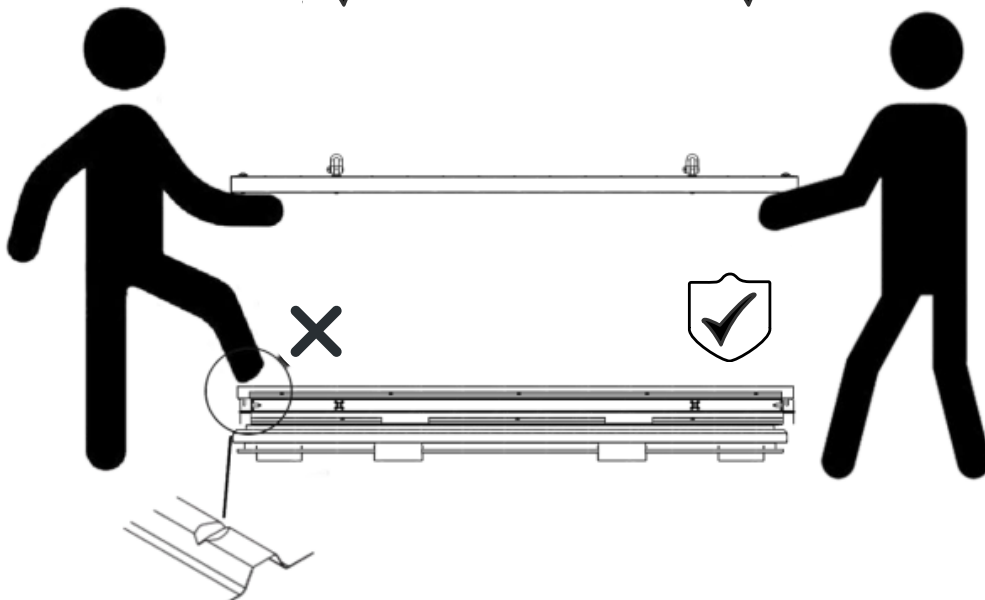
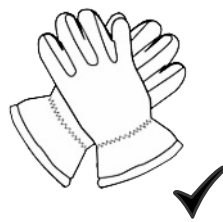


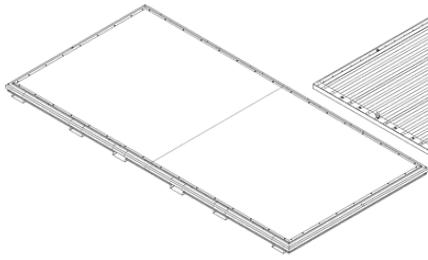
PRODUCT CODE: 40.110.330

**prefabase**  
Quick Build Solutions

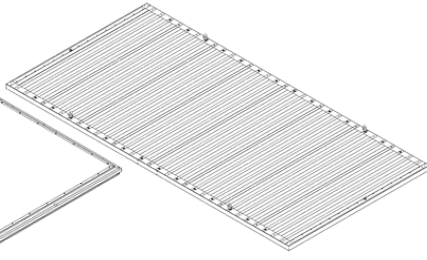
Instructions and User Guide



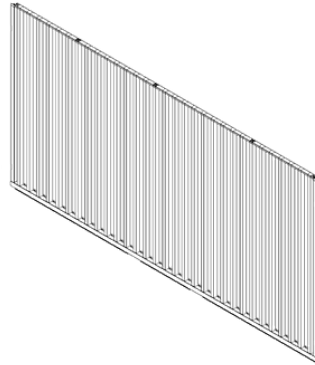
40.0110  
1x



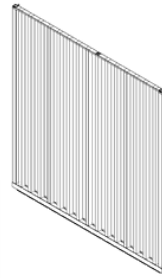
40.0510  
2x



40.0410  
1x



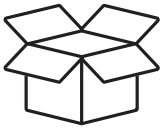
0310  
1x



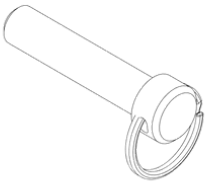
0330  
1x



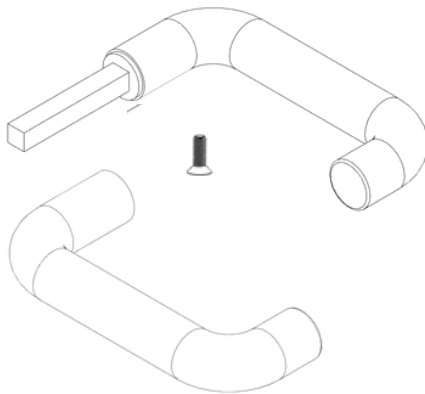
61.101  
2x



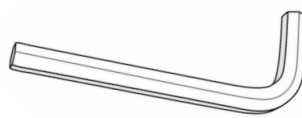
12x



1x



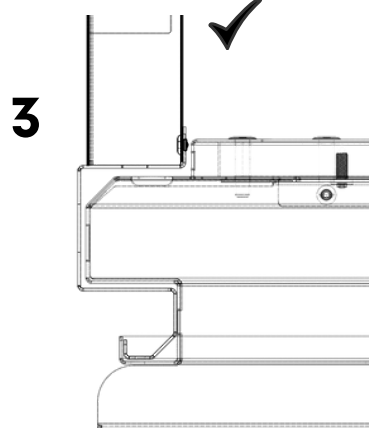
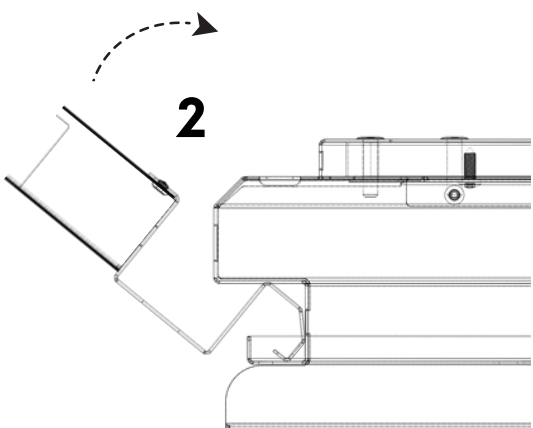
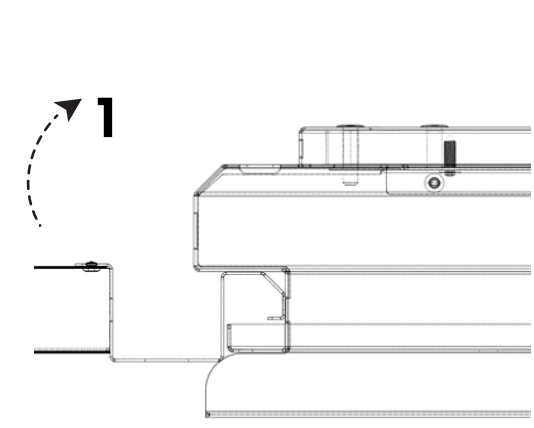
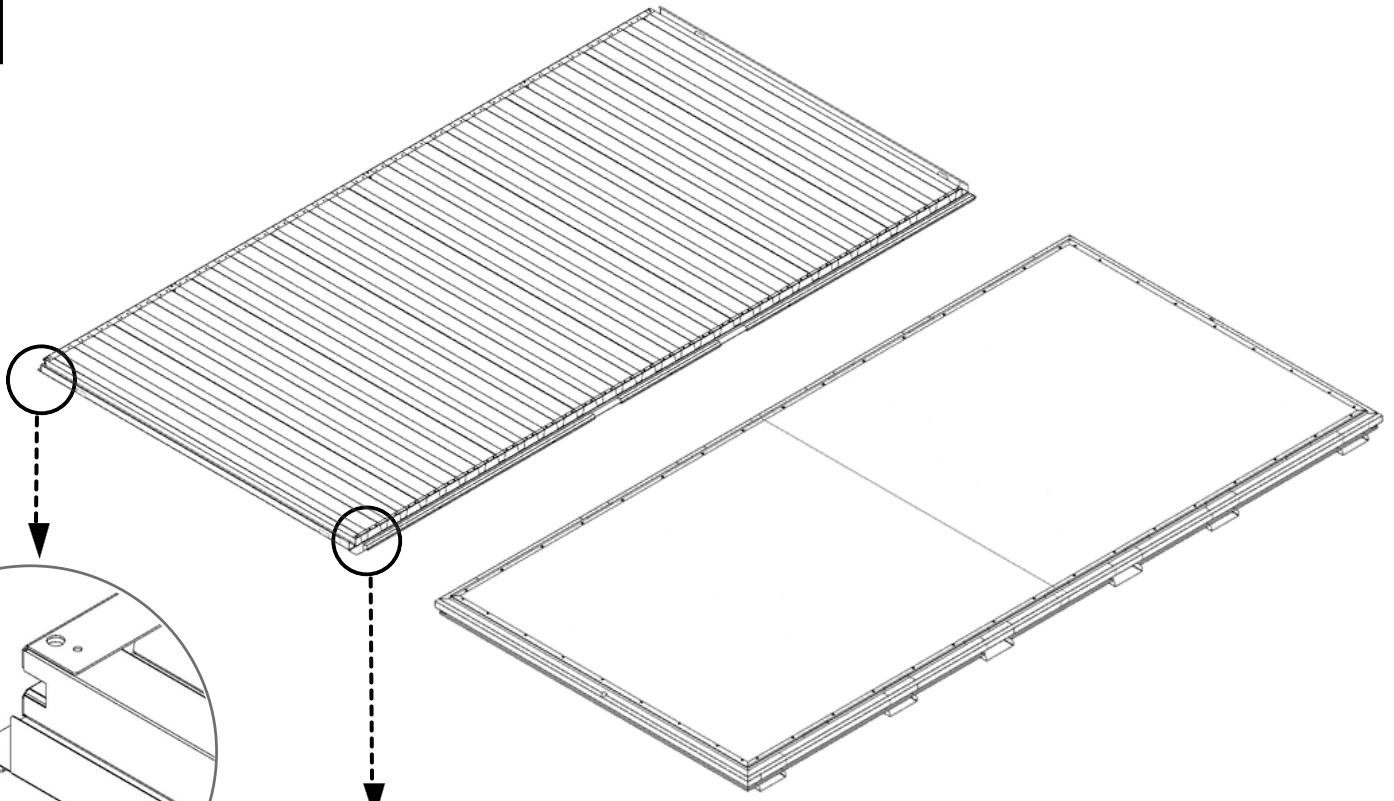
1x



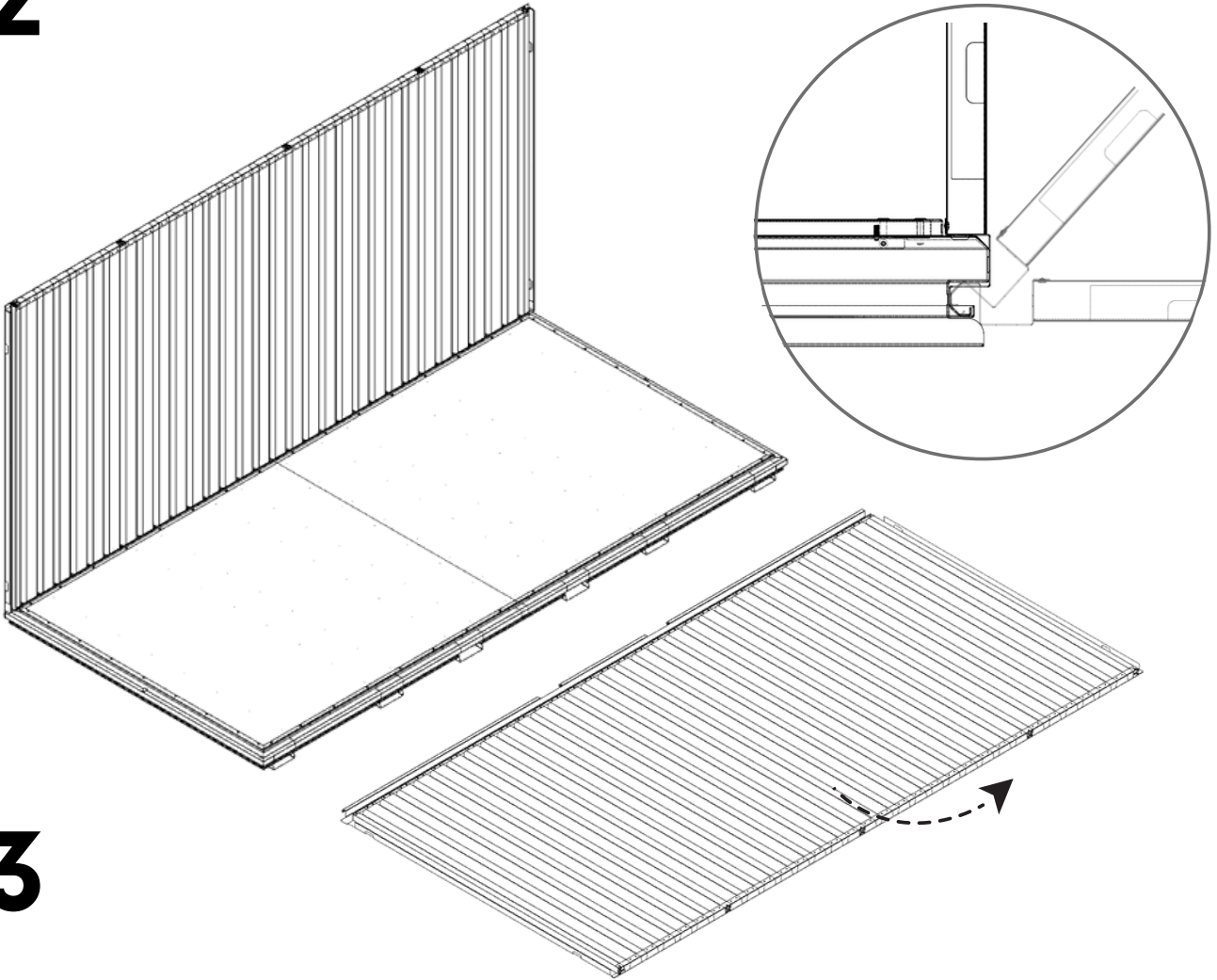
1x



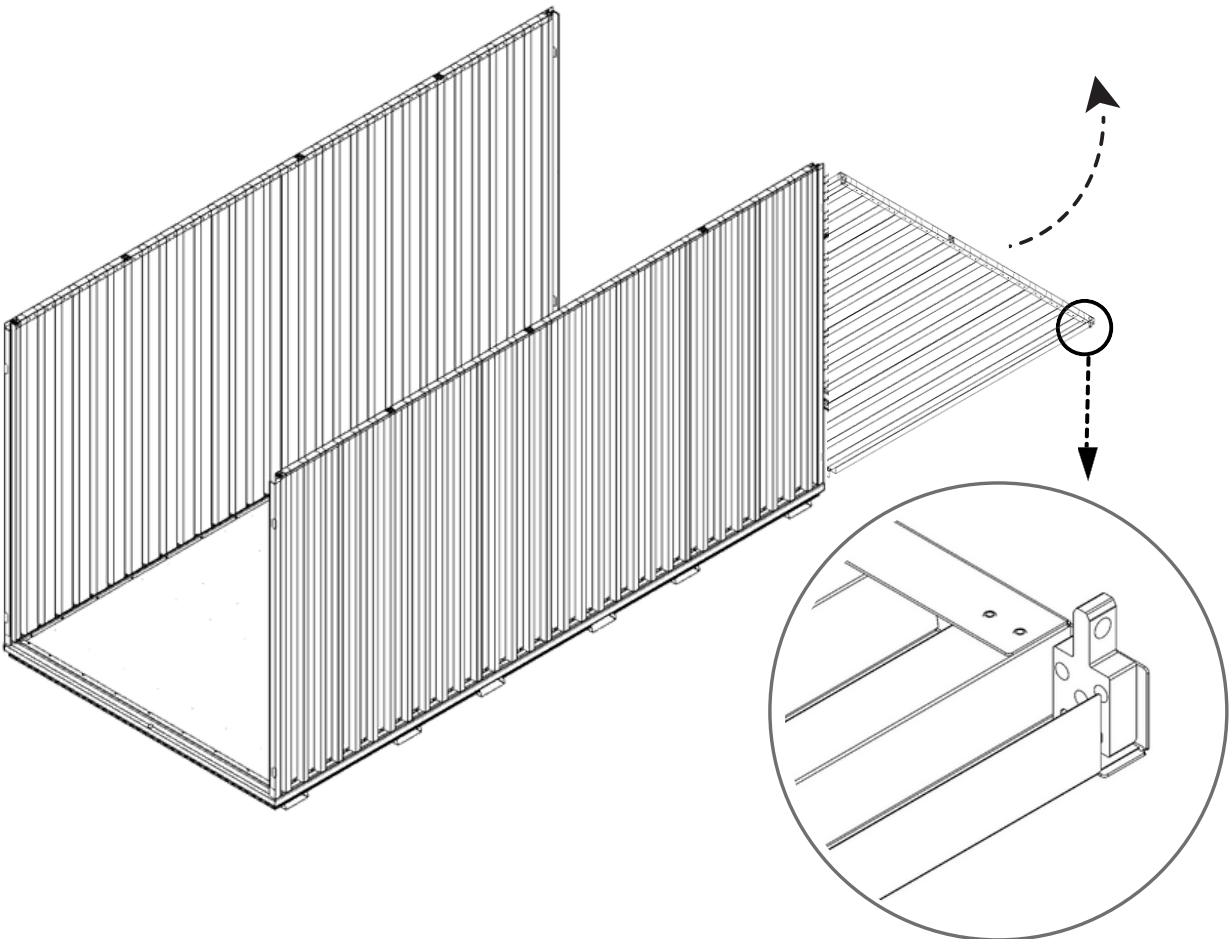
**1**



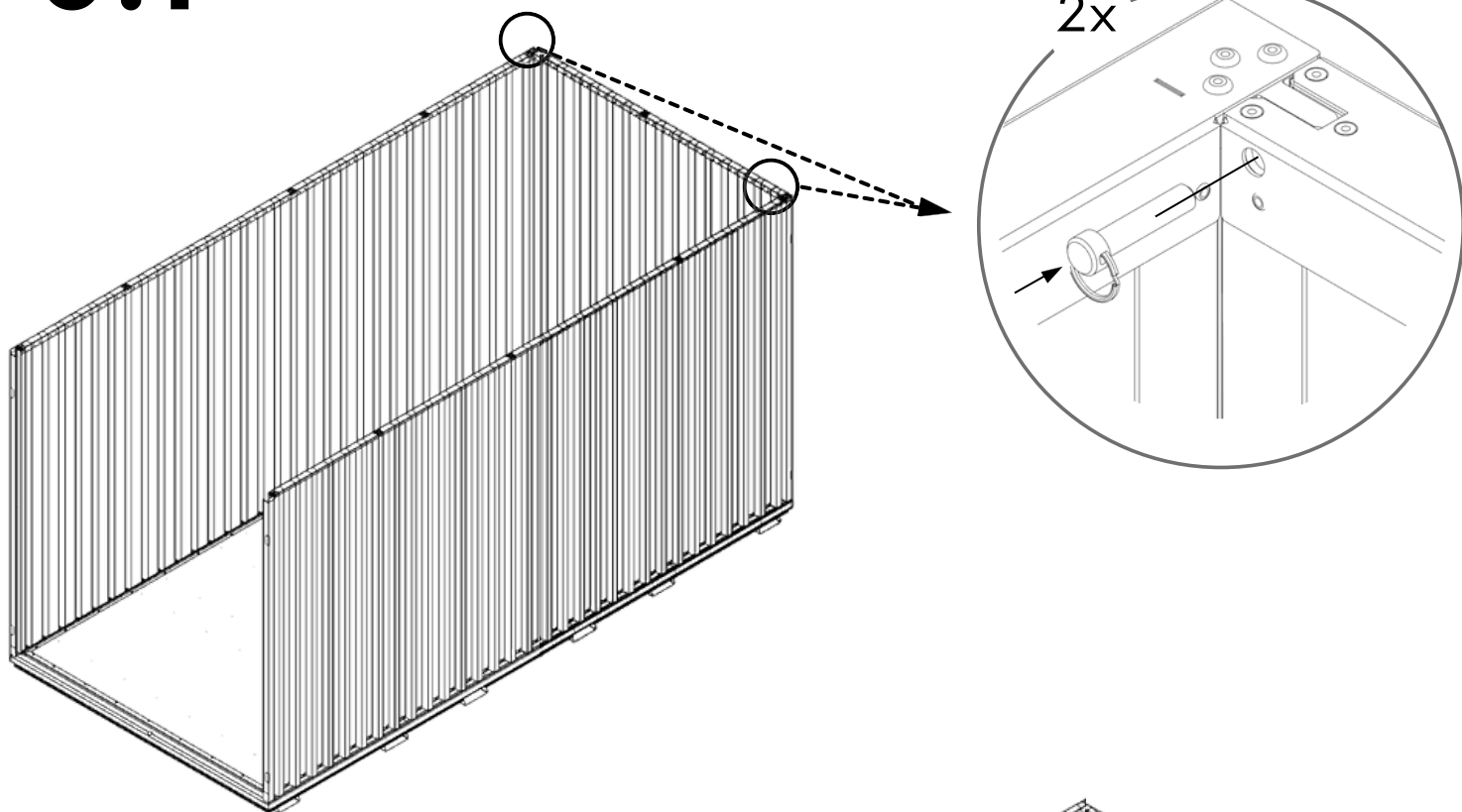
**2**



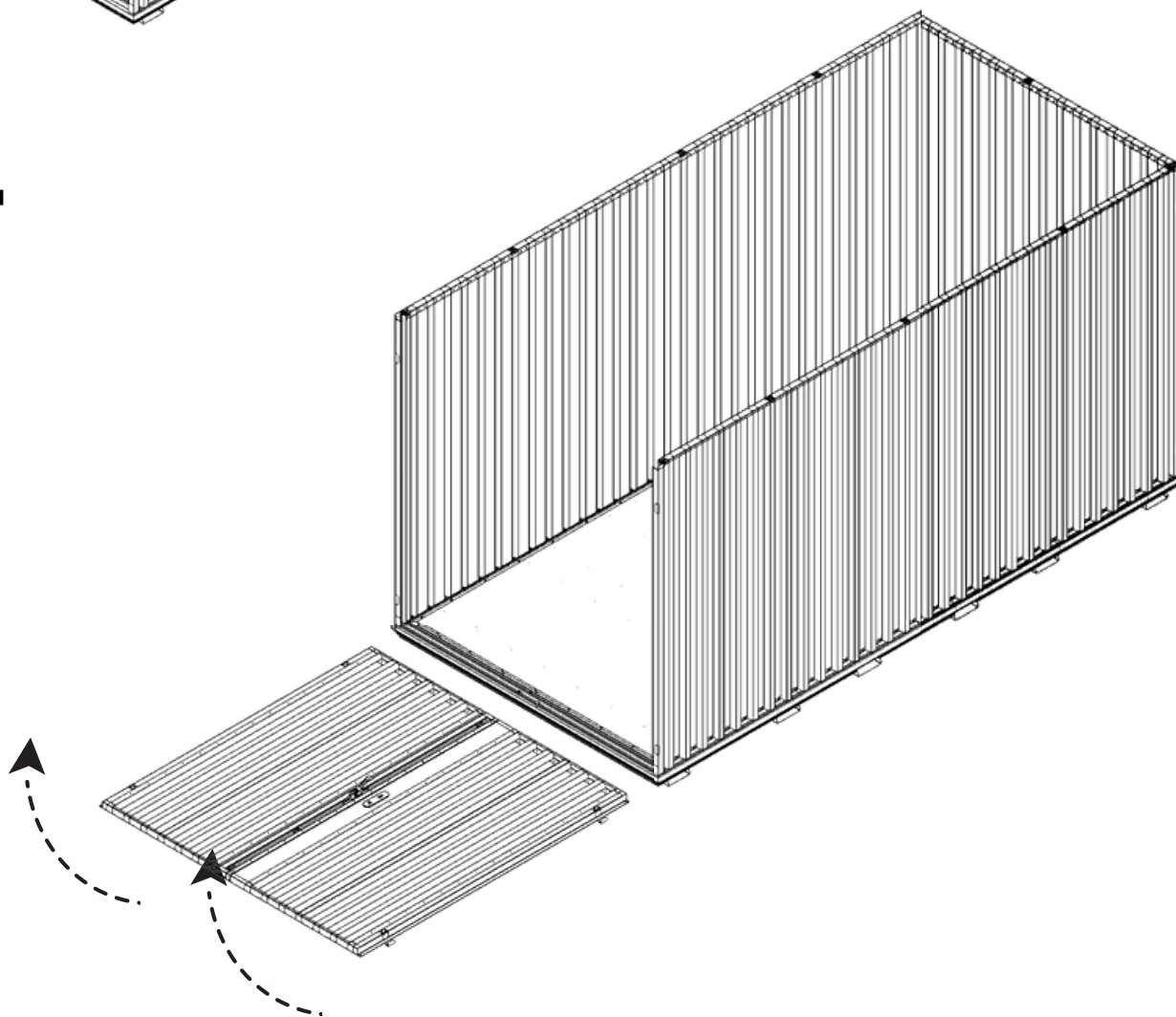
**3**



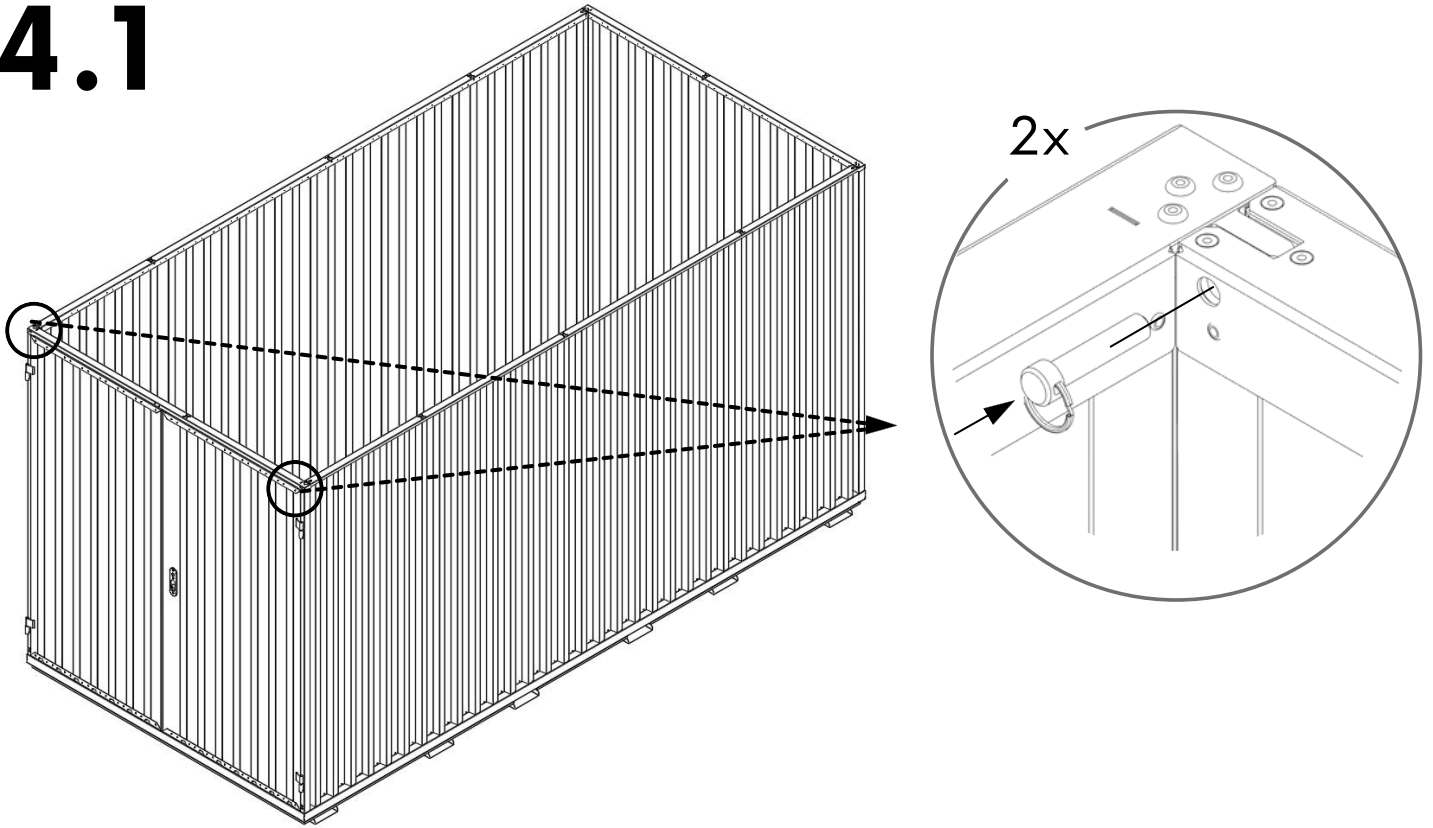
# 3.1











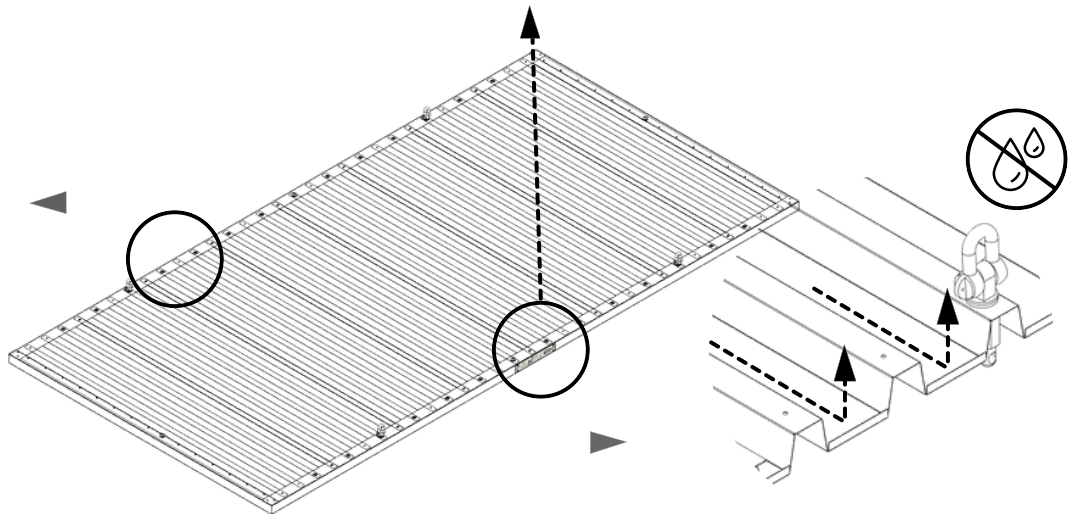
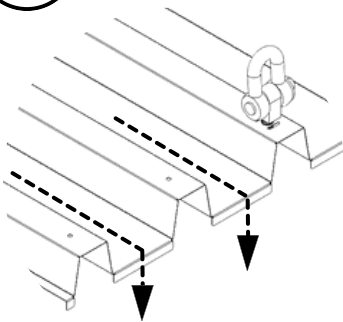
# 4



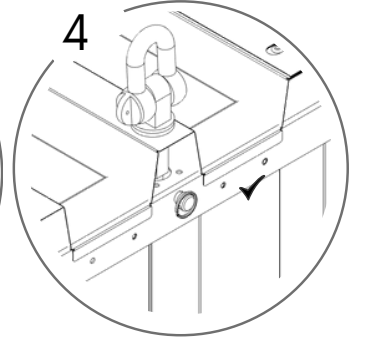
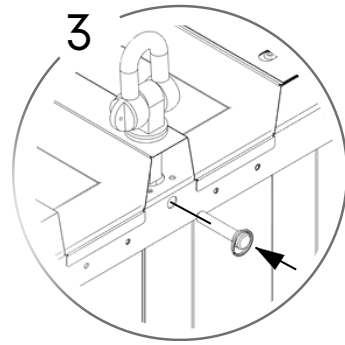
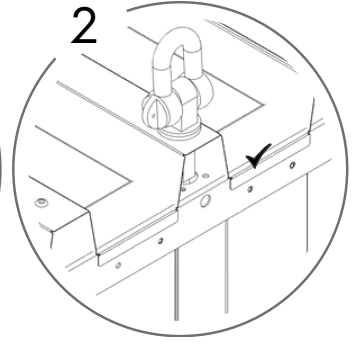
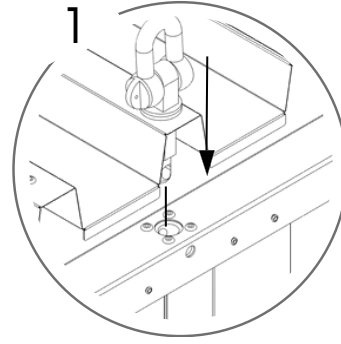
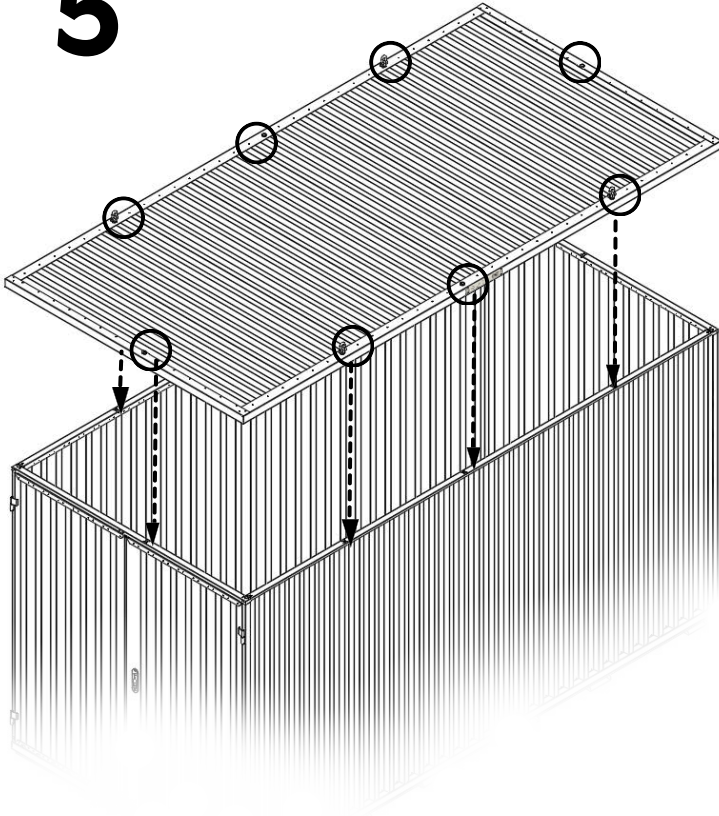
# 4.1



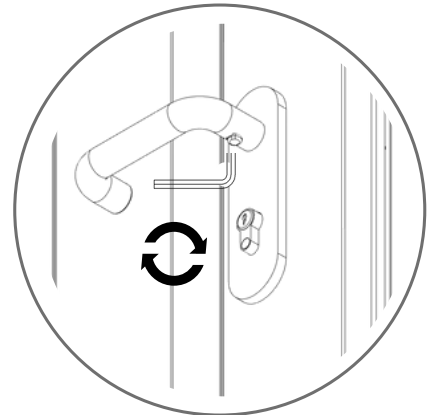
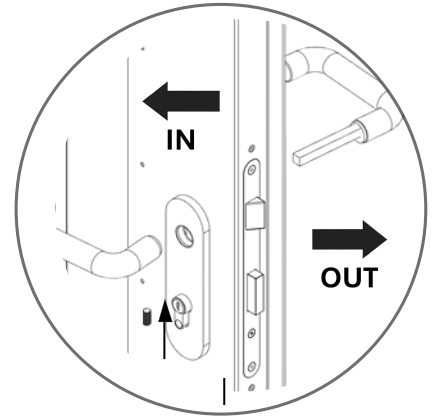
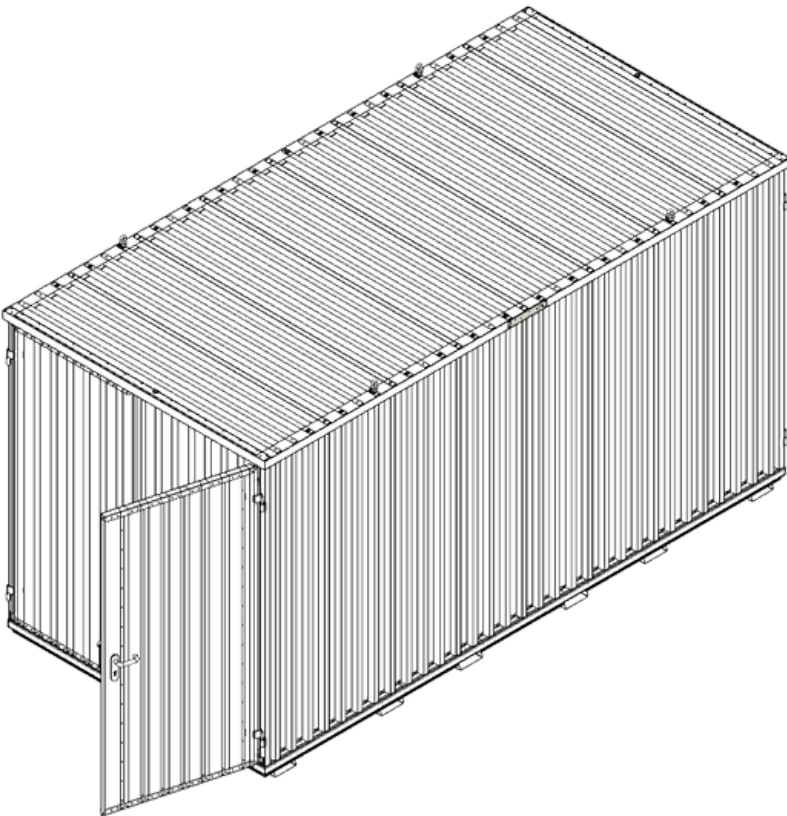
 429 KG	 1640 MM	Model Code: 40.110.330 Production Tracking Code: ..... /X09.1.40.330    9001      14001      50001	 	
---	--	---	---	---



# 5



# 6



7

