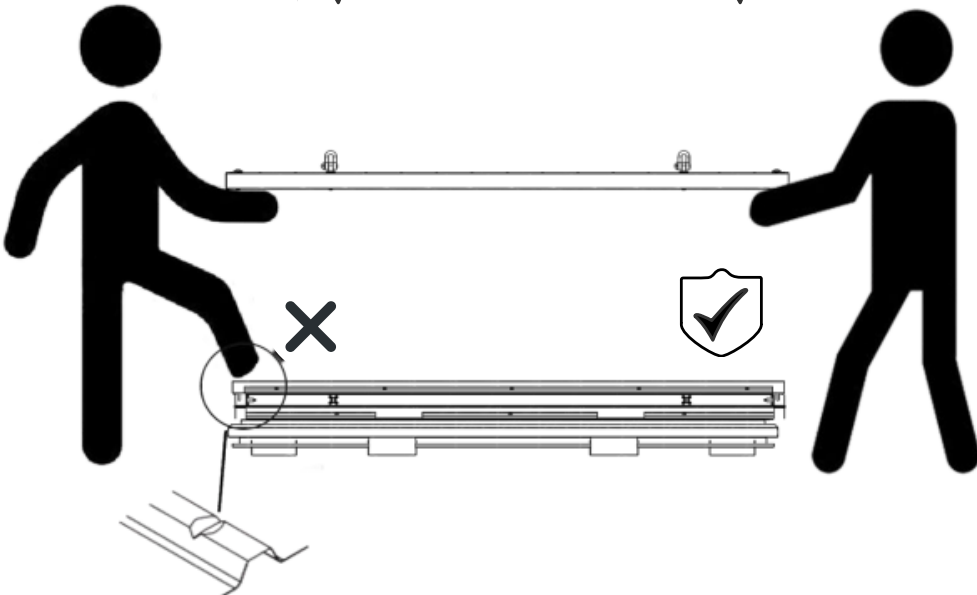
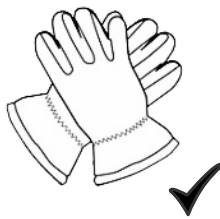
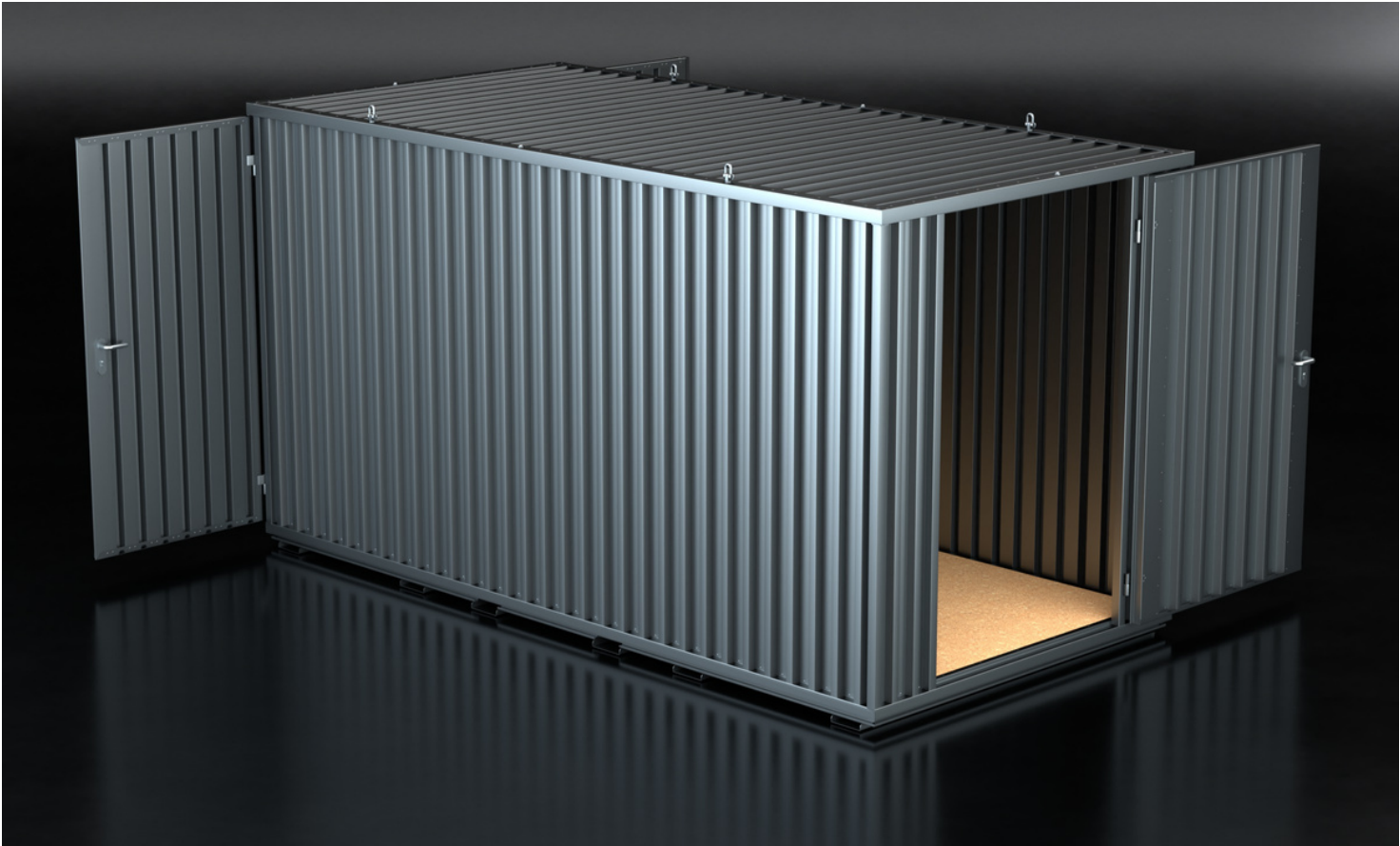


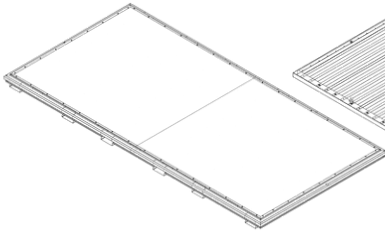
PRODUCT CODE: 40.110.320.331

prefabase
Quick Build Solutions

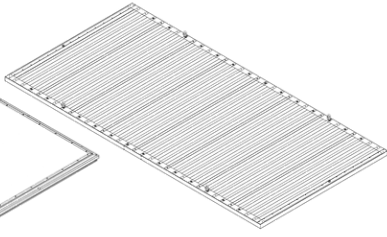
Instructions and User Guide



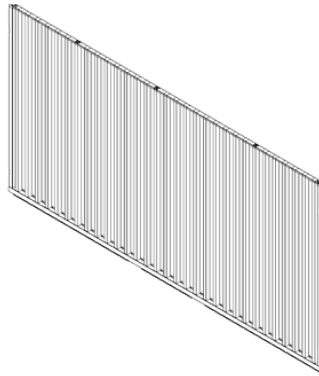
40.0110
1x



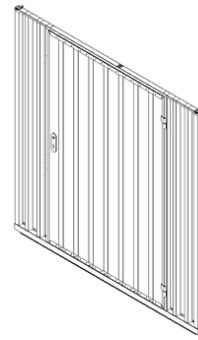
40.0510
1x



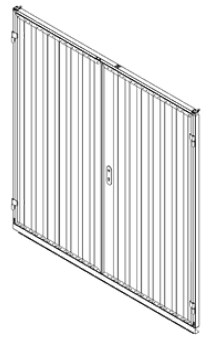
40.0410
2x



0320
1x



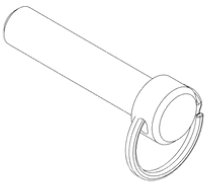
0330
1x



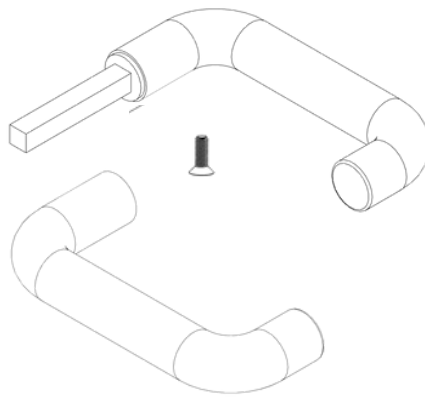
61.101
2x



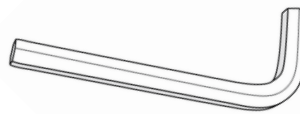
12x



2x



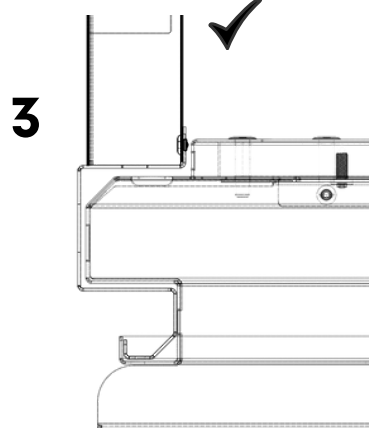
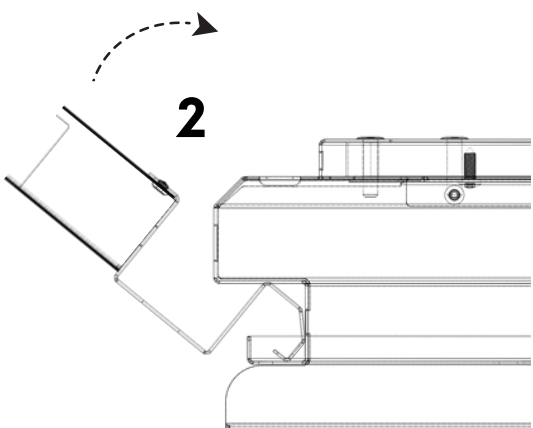
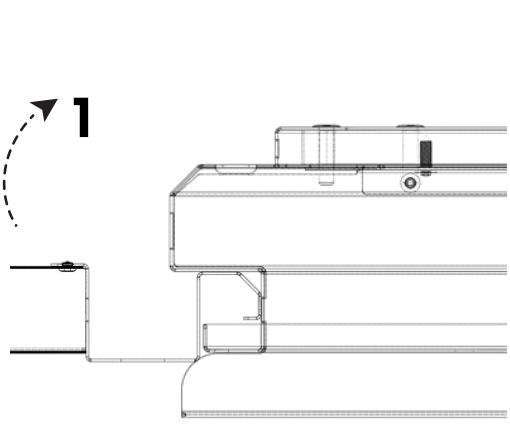
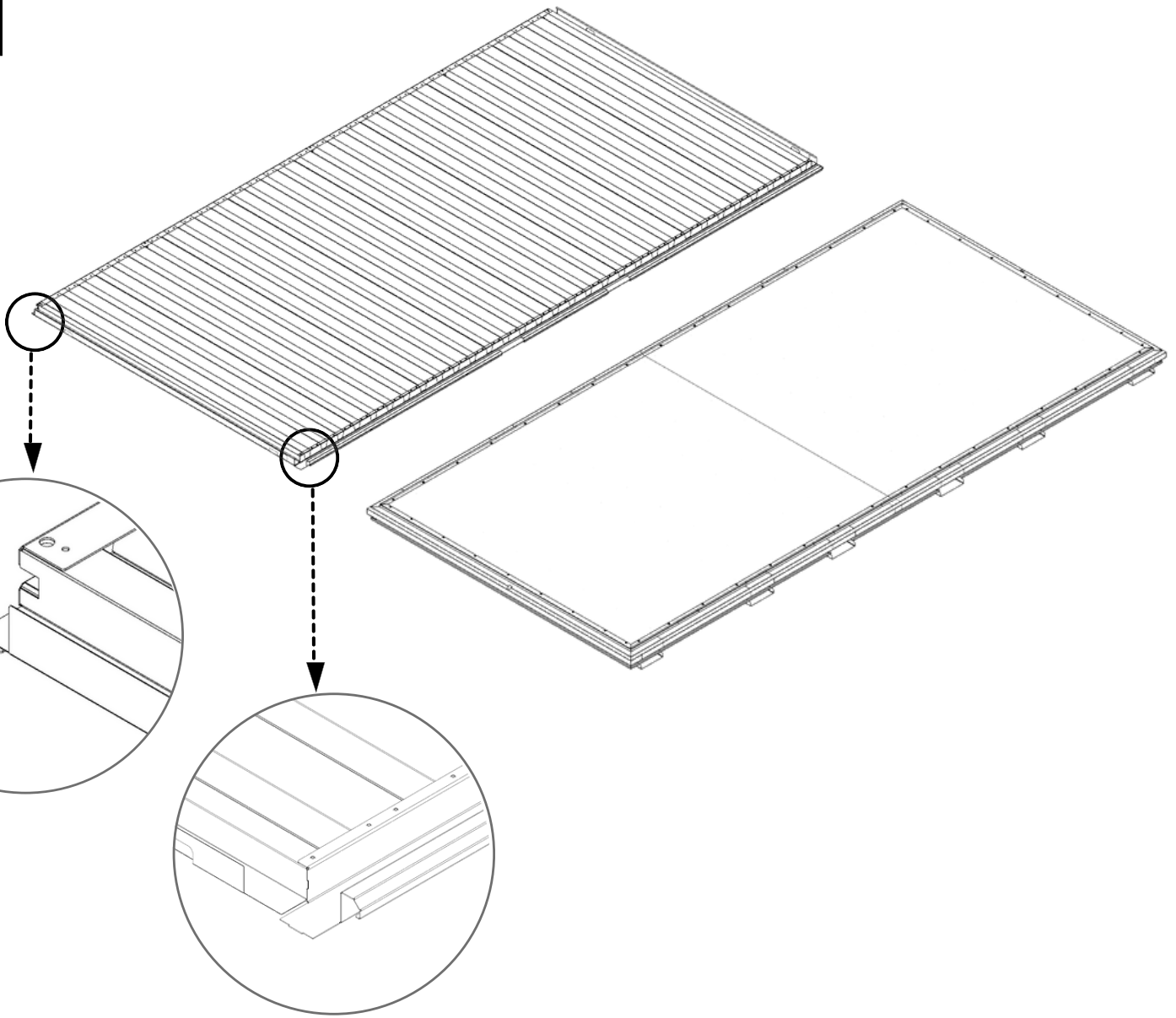
1x



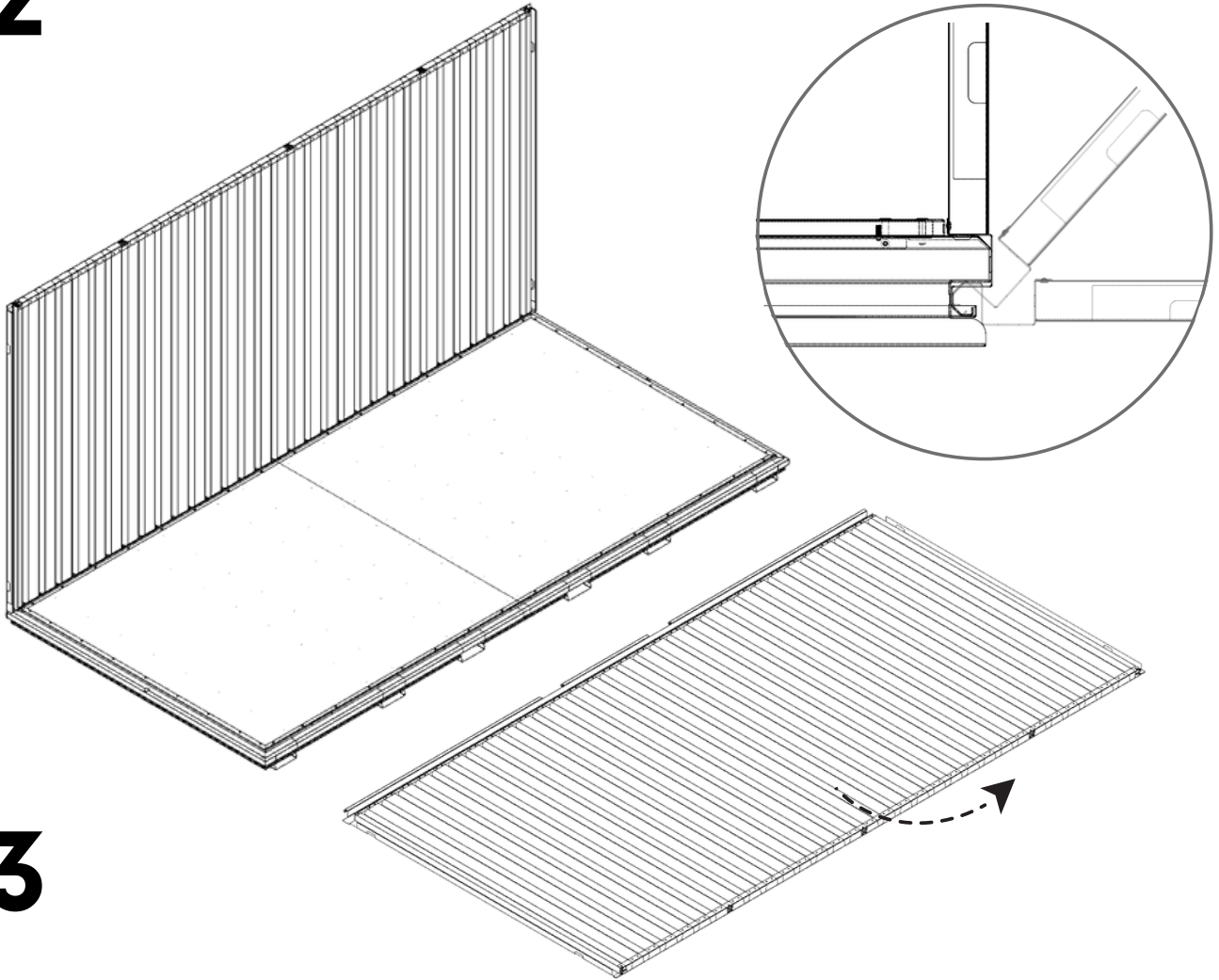
2x



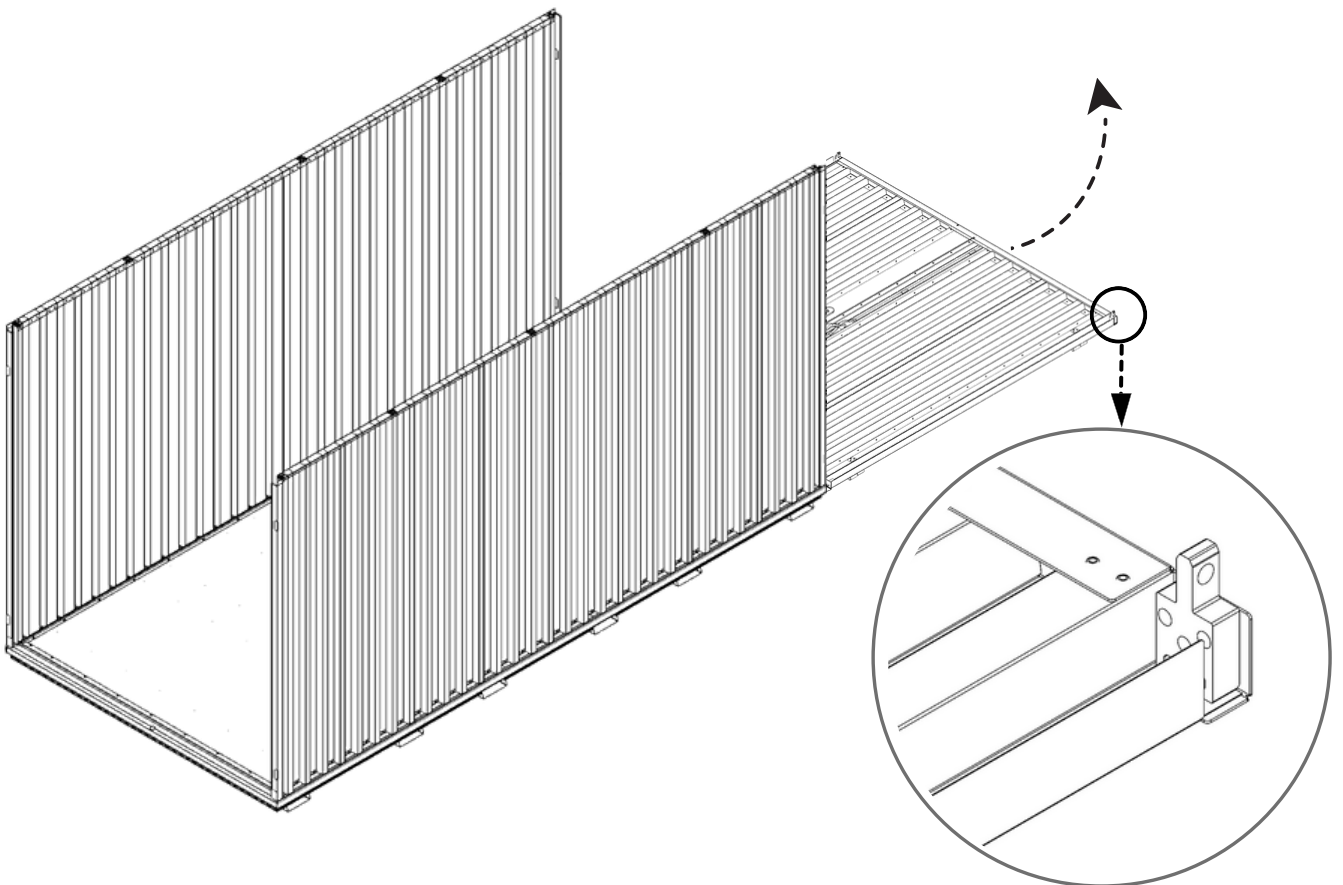
1



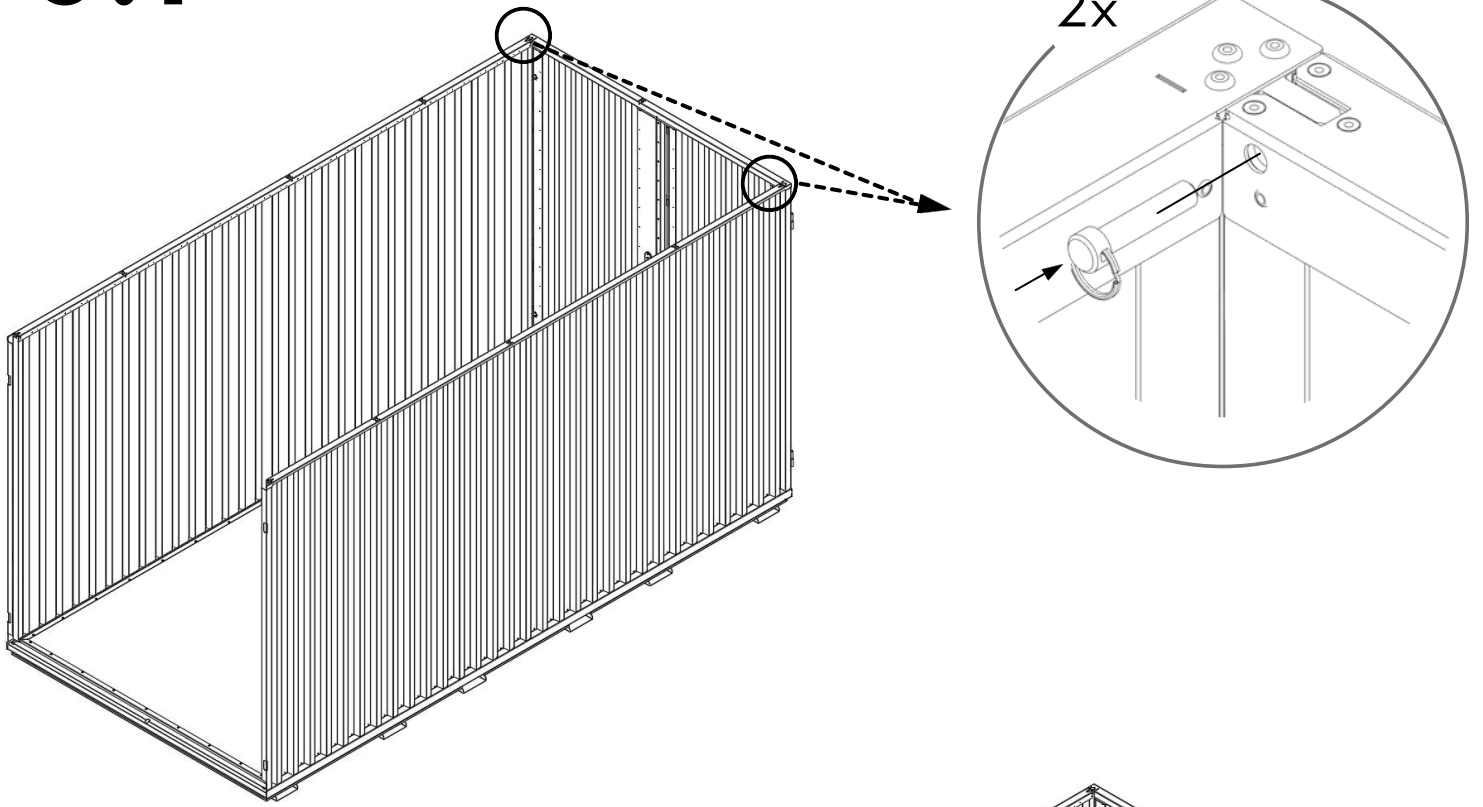
2



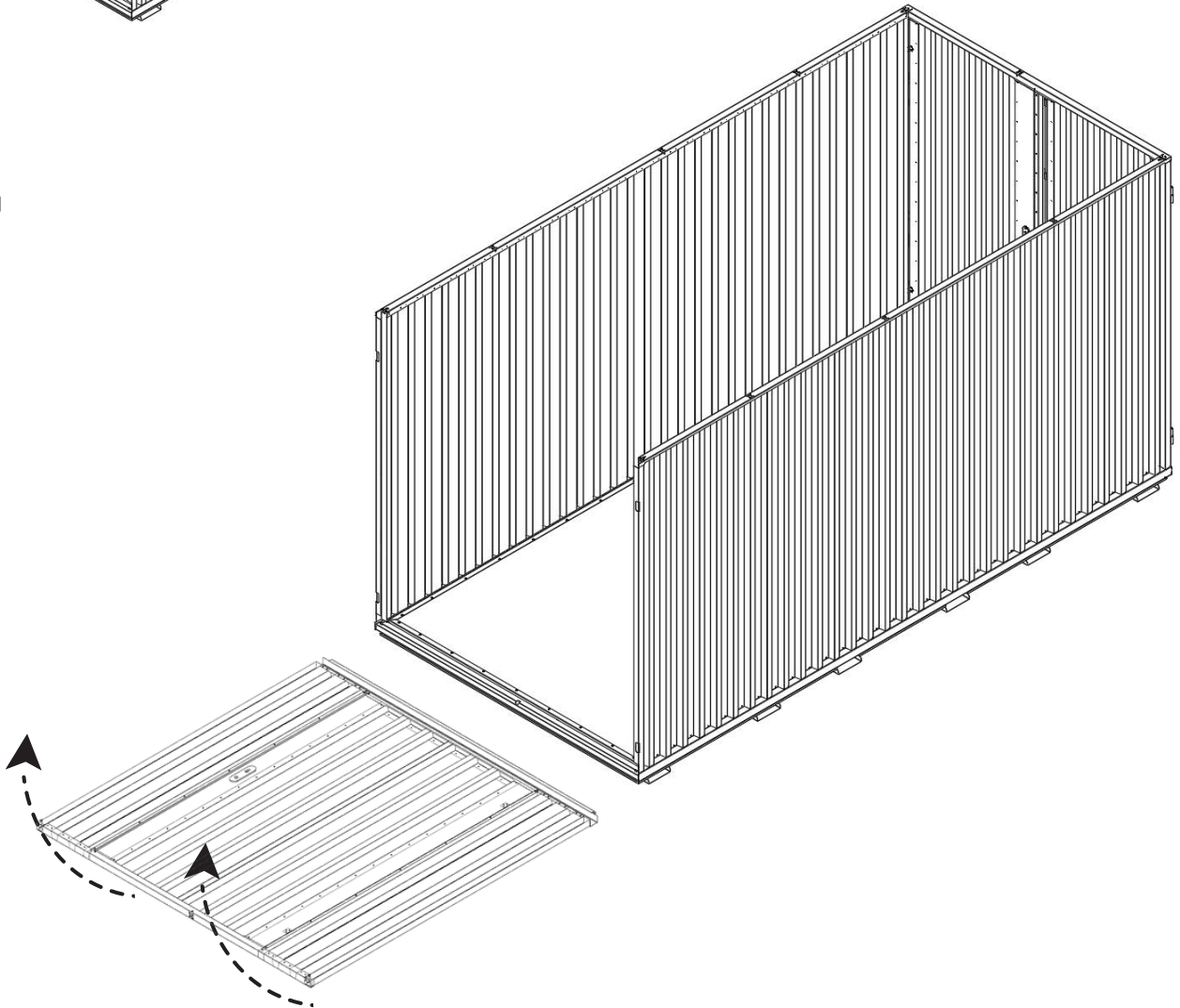
3



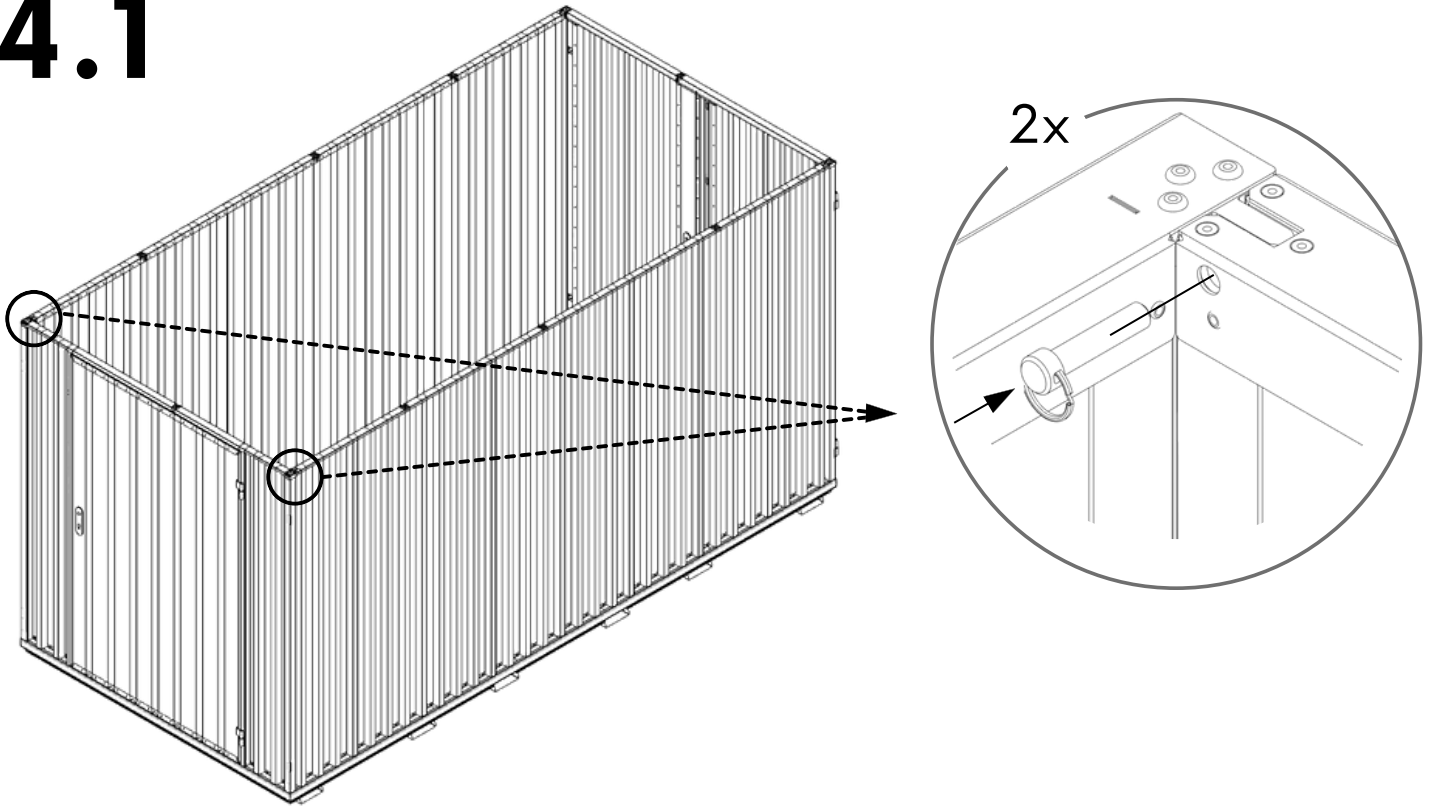
3.1











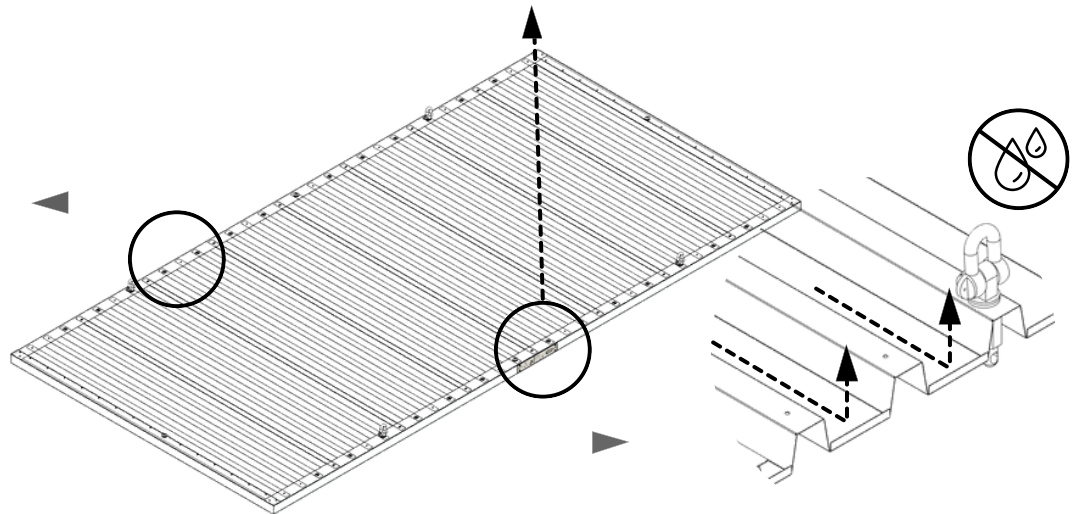
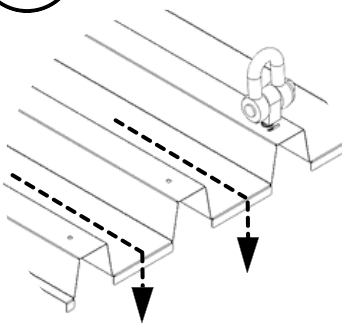
4



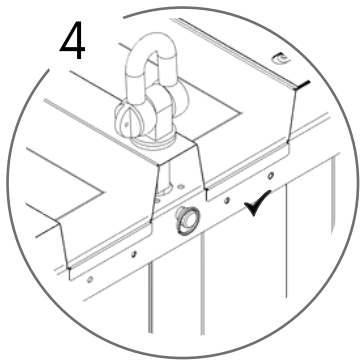
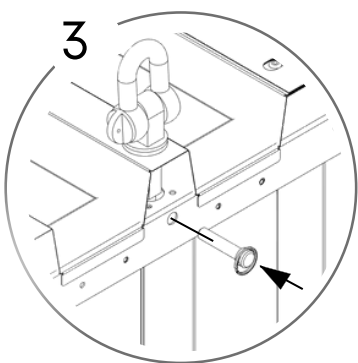
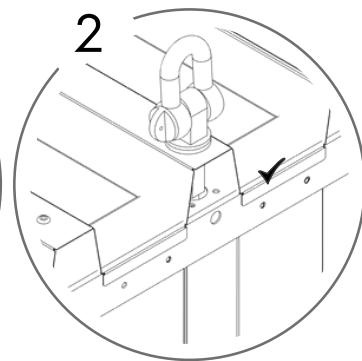
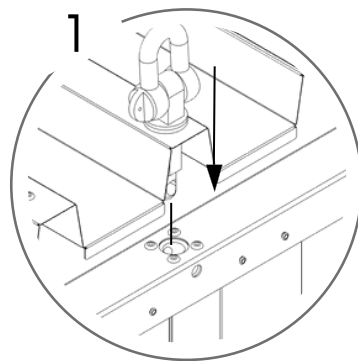
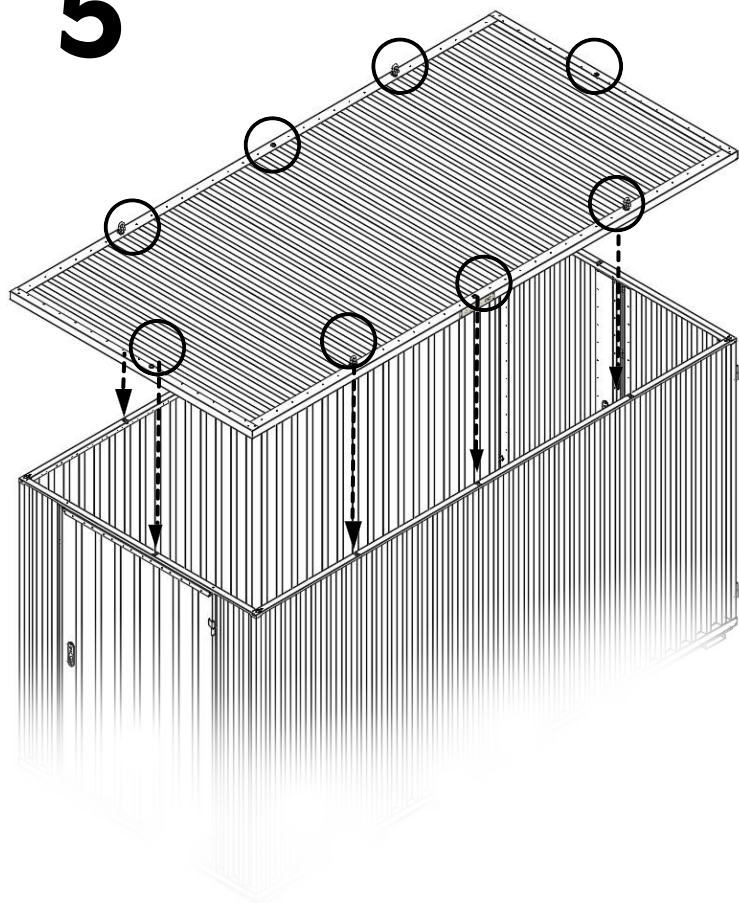
4.1



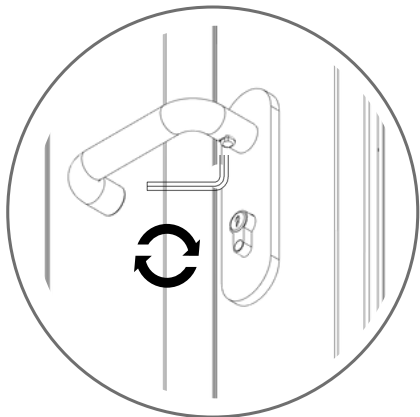
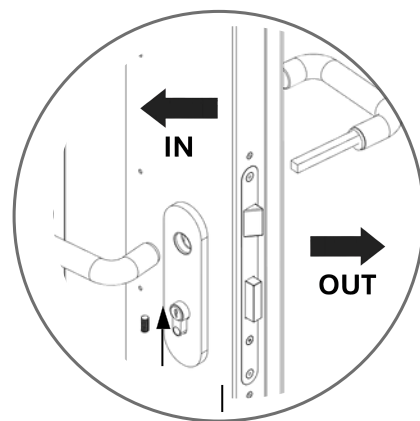
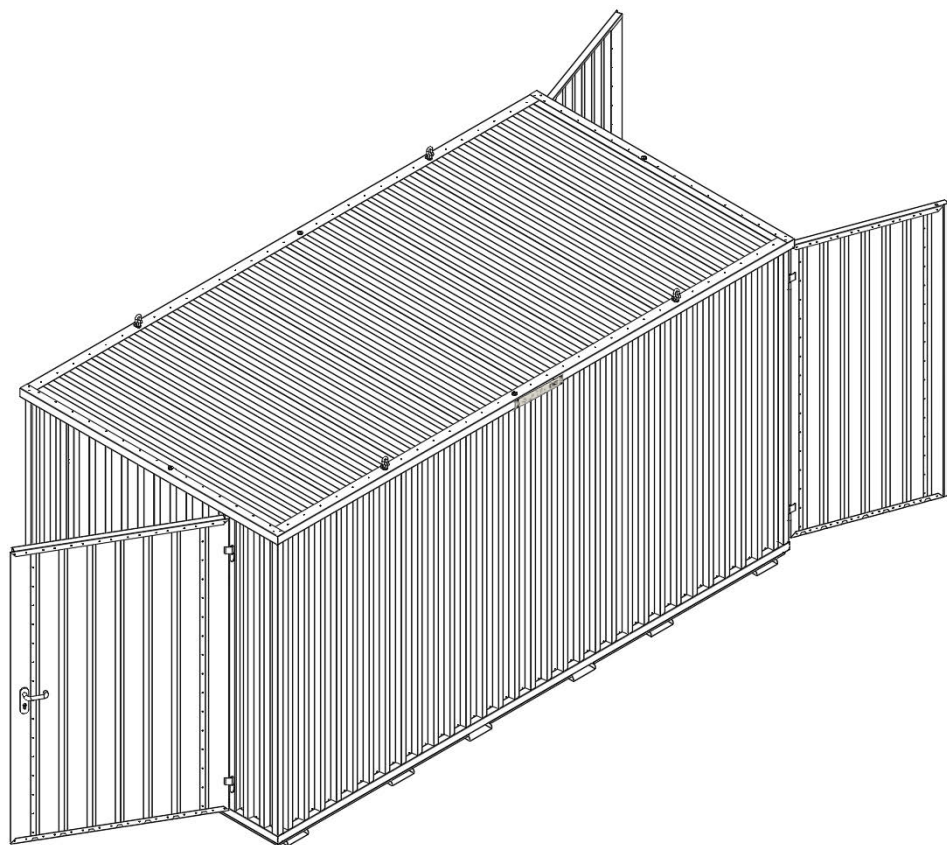
 446 KG	 1640 MM	Model Code: 40.110.320.331 Production Tracking Code: /X09.1.40.320.331    9001 14001 50001	 	
---	--	---	---	---



5



6



7

