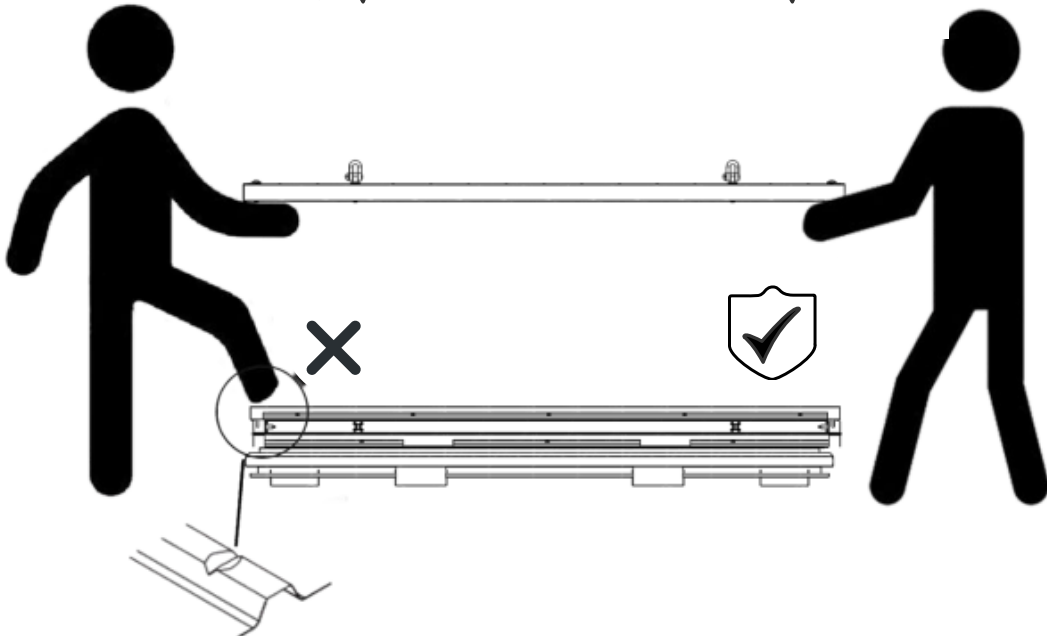
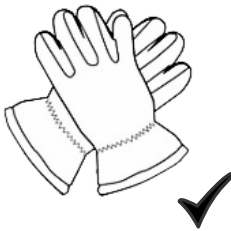
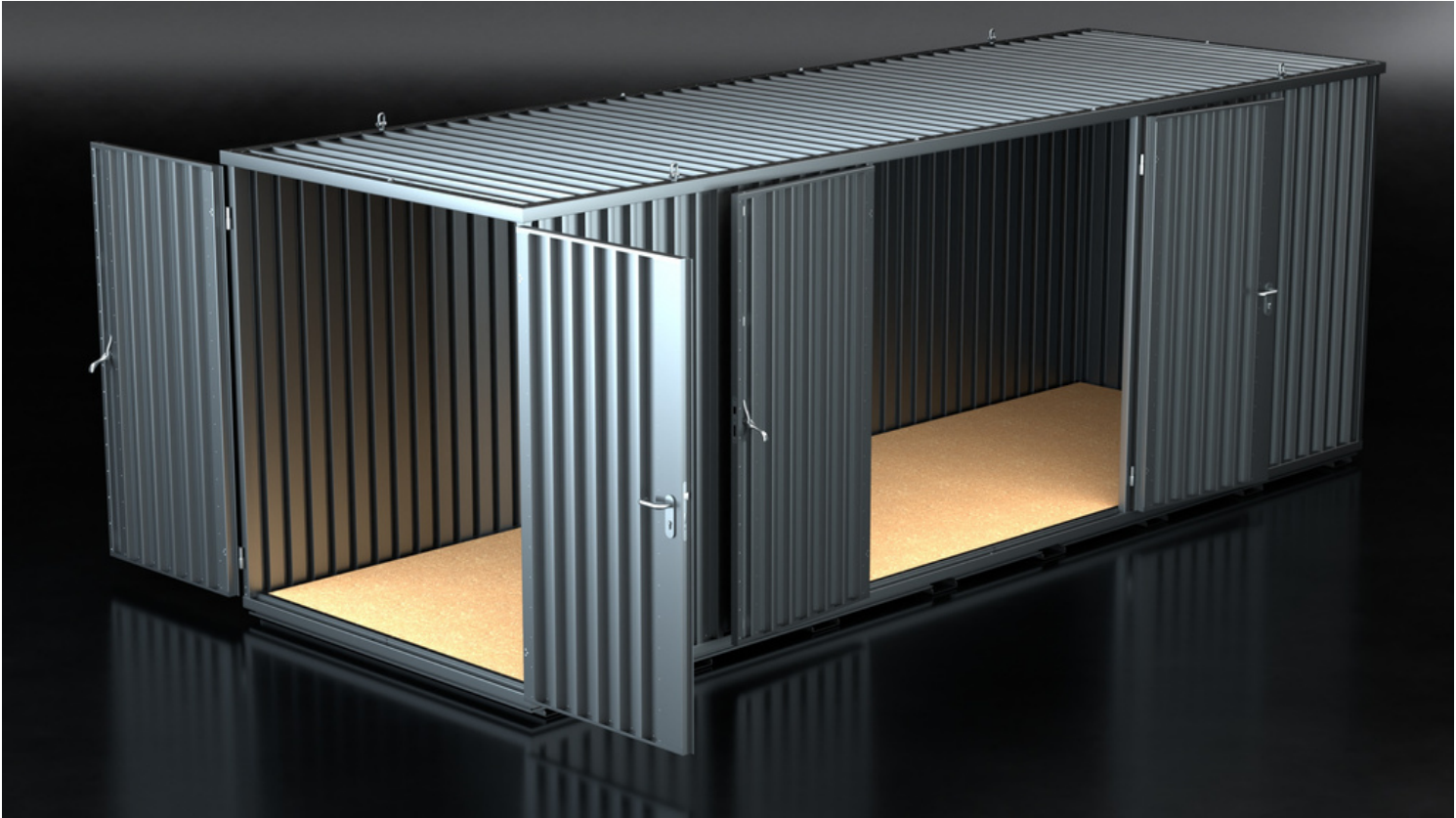


PRODUCT CODE:60.110.430.330

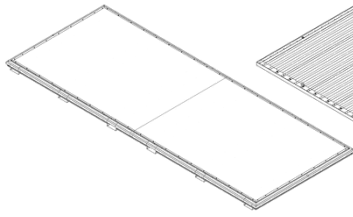
prefabase
Quick Build Solutions

Instructions and User Guide



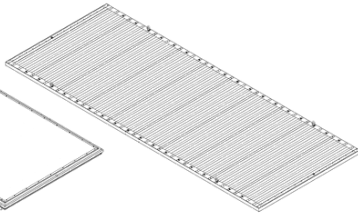
60.0110

1x



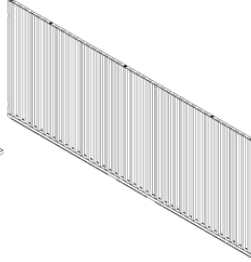
60.0510

1x



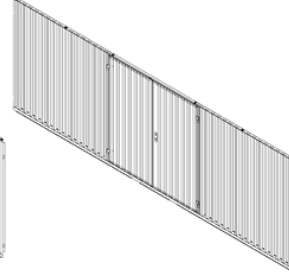
60.0410

1x



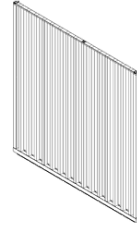
60.0430

1x



0310

1x



0330

1x

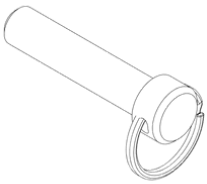


61.101

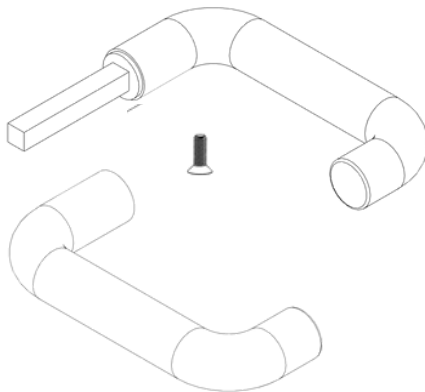
2x



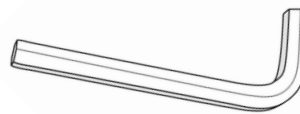
14x



2x



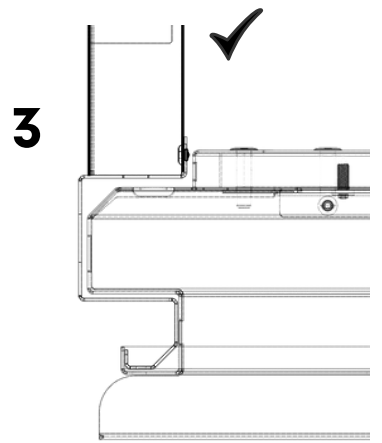
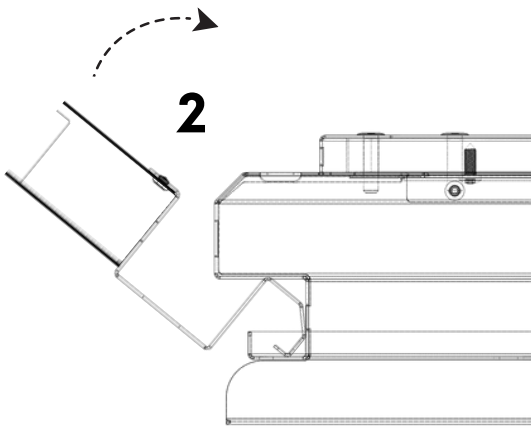
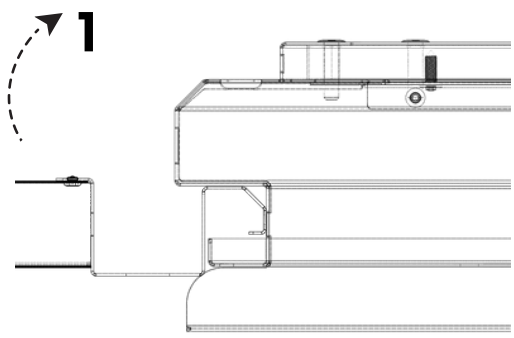
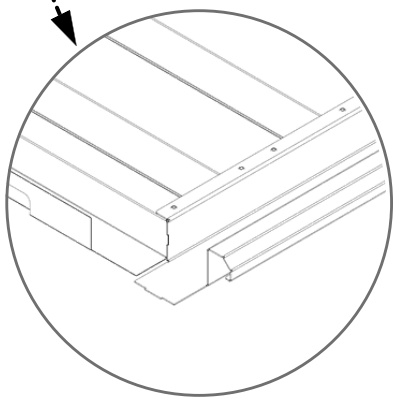
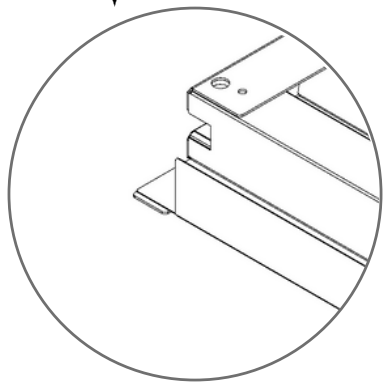
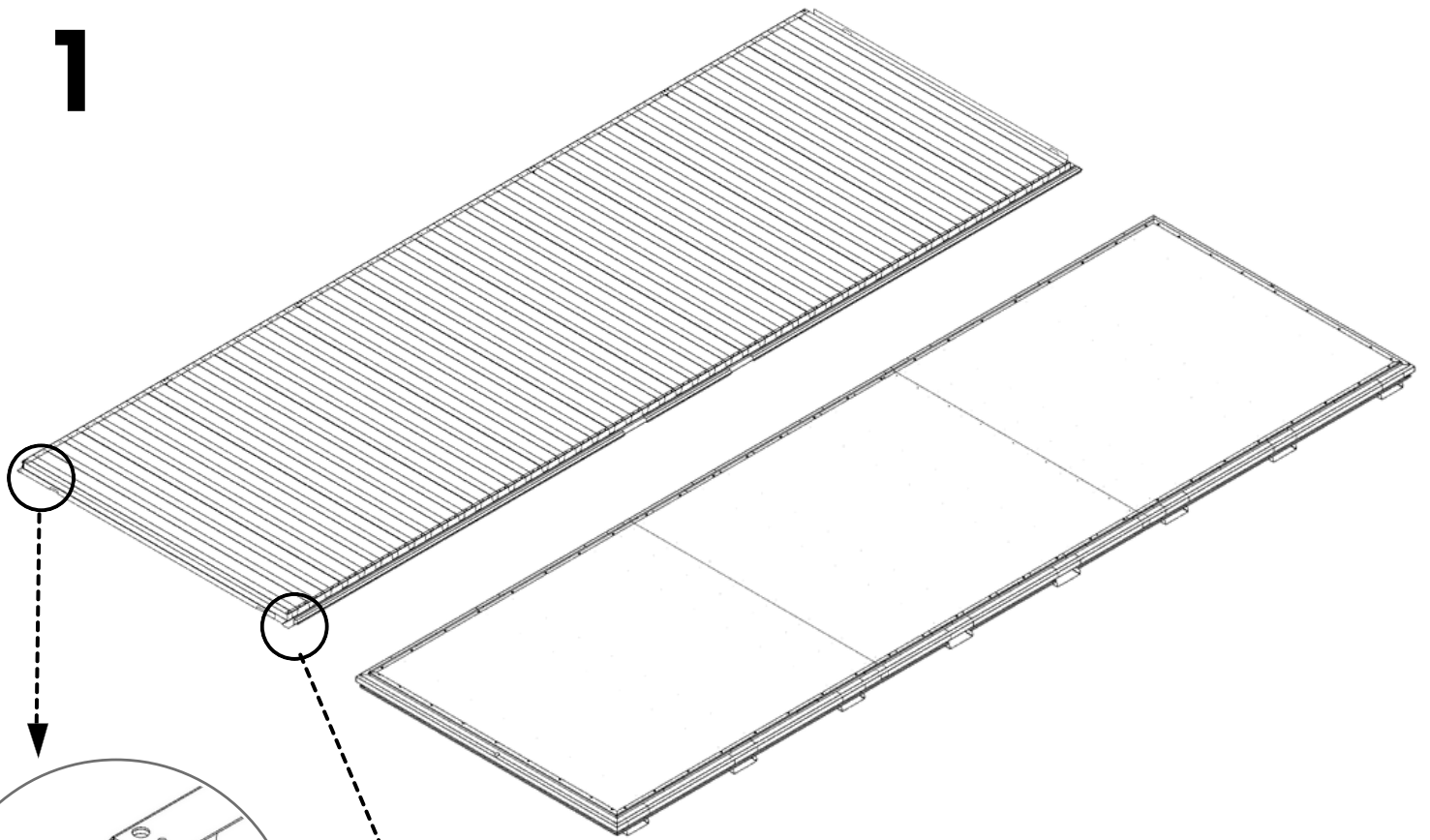
1x



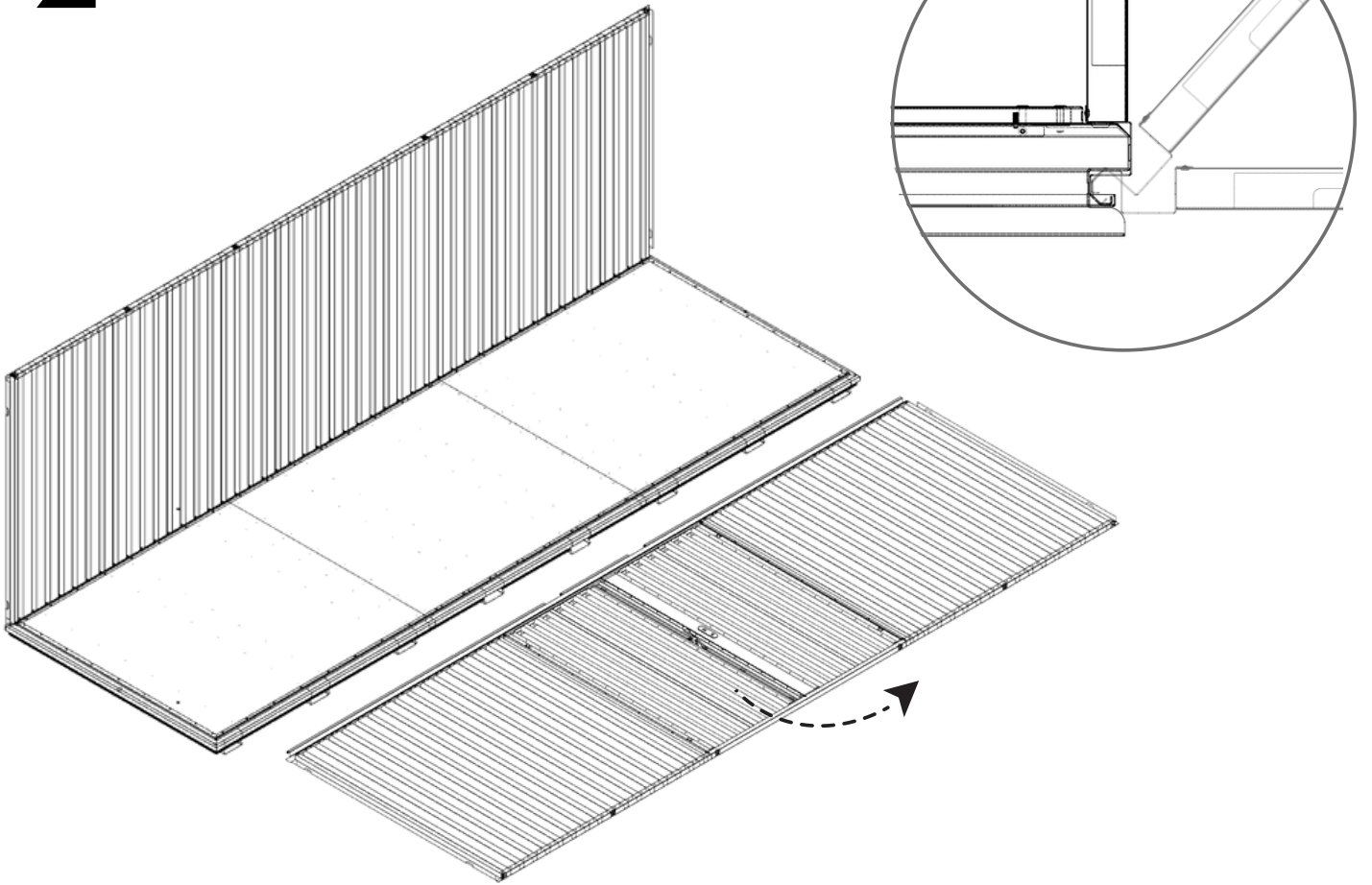
2x



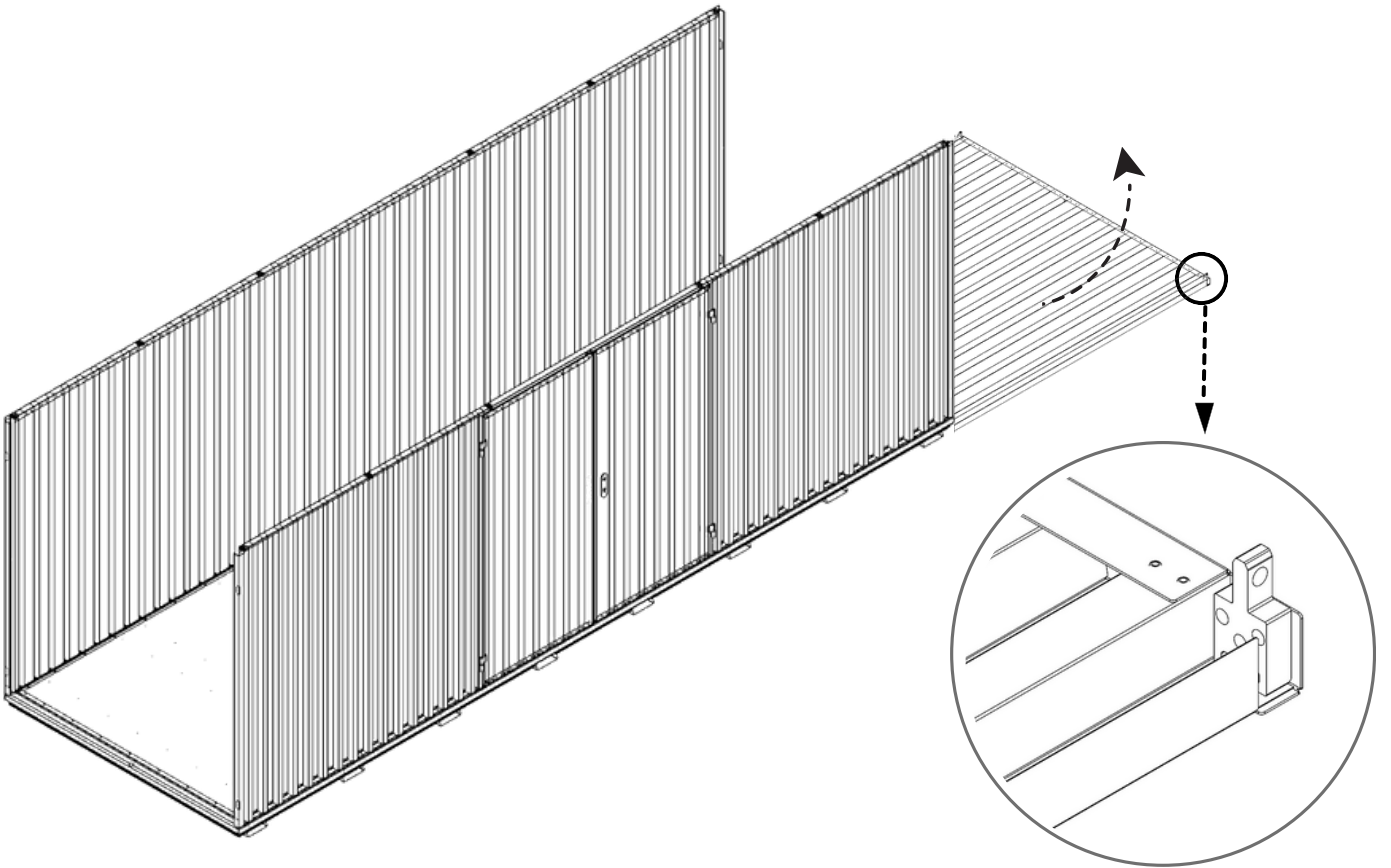
1



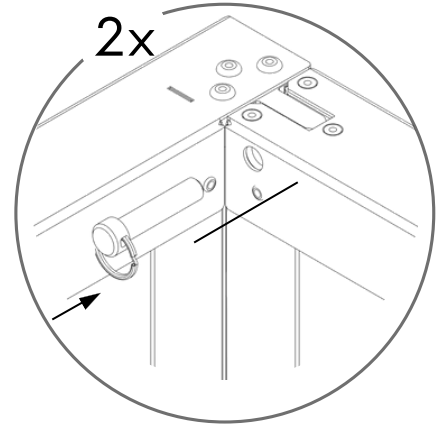
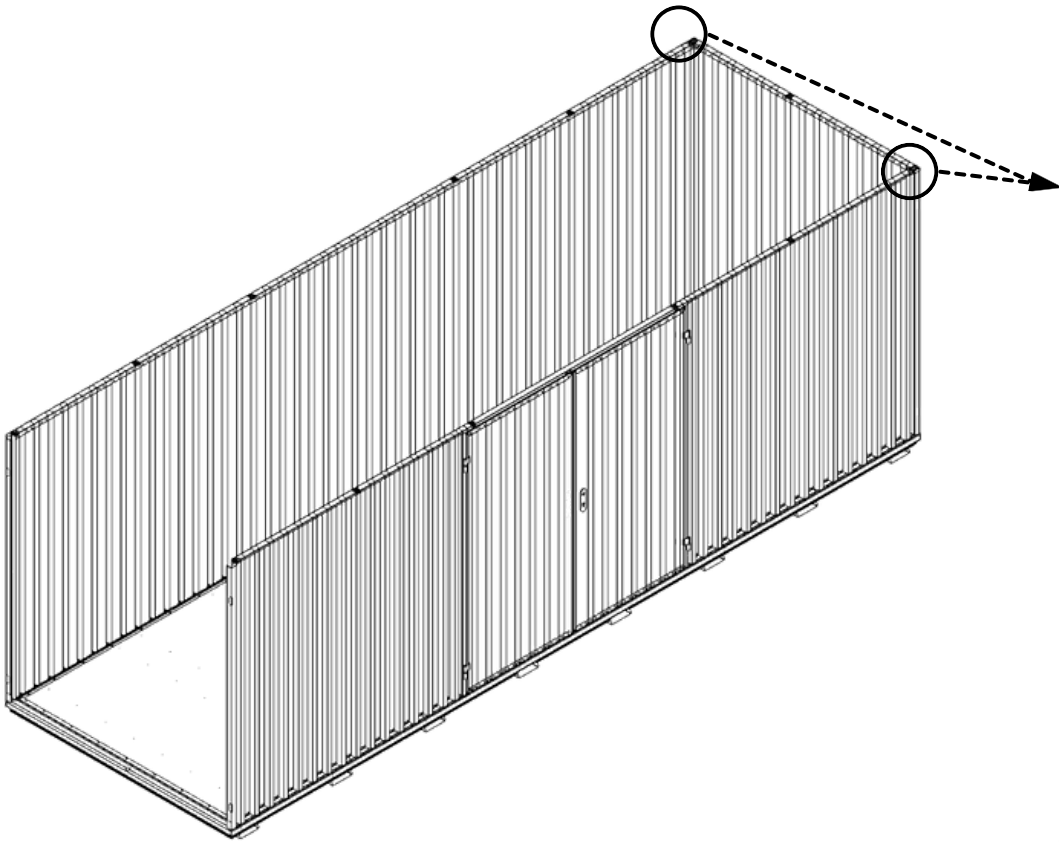
2



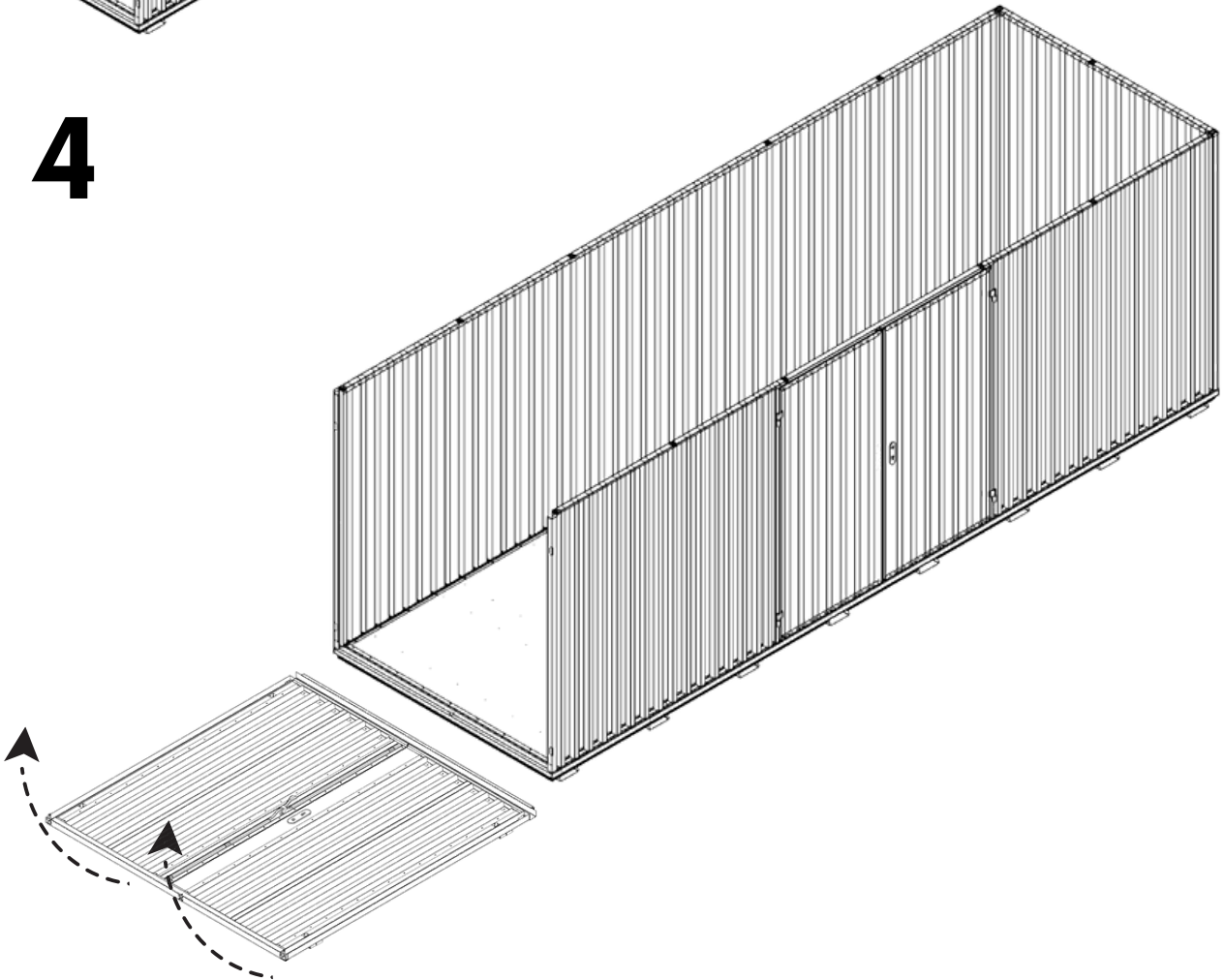
3



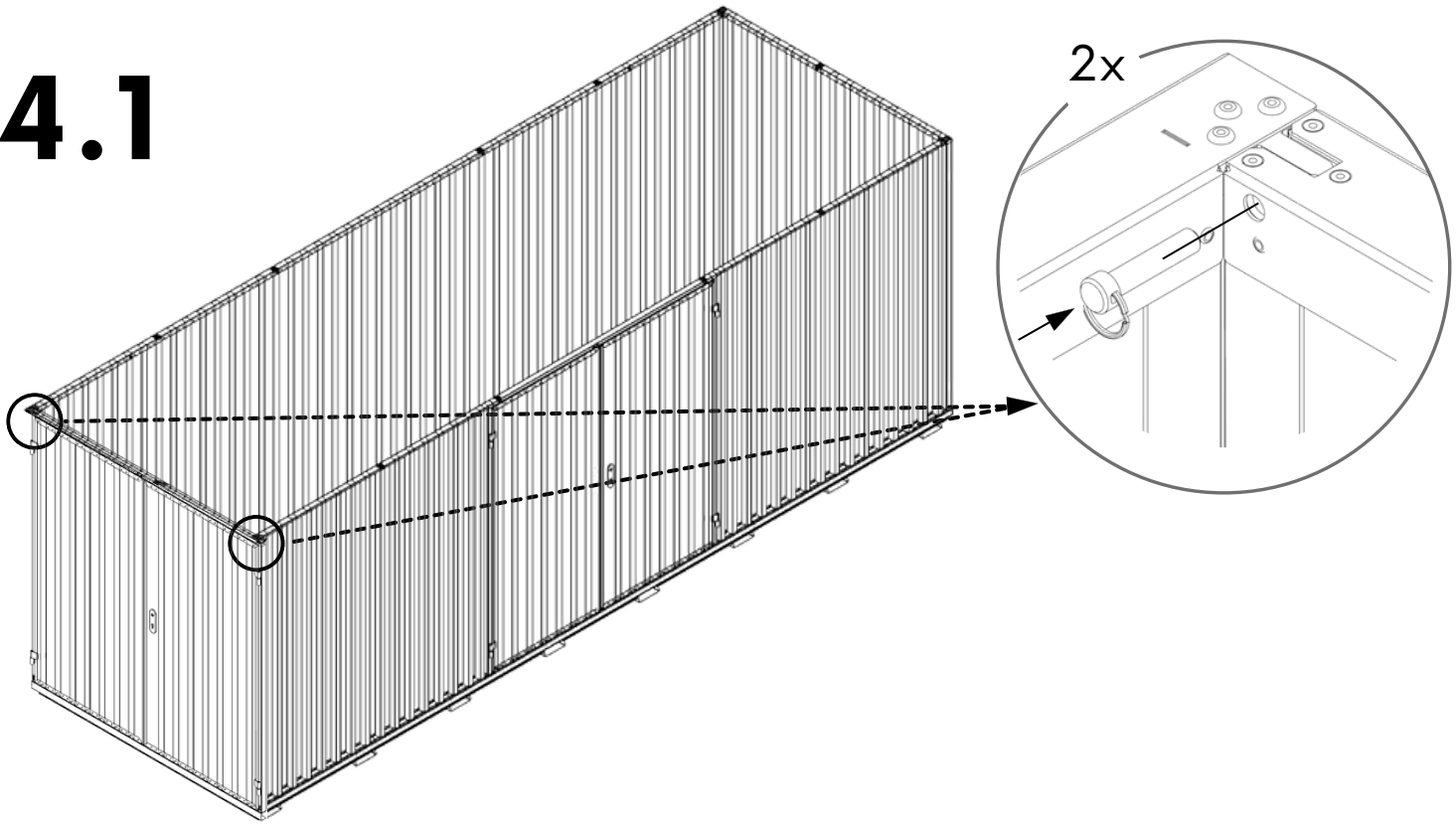
3.1











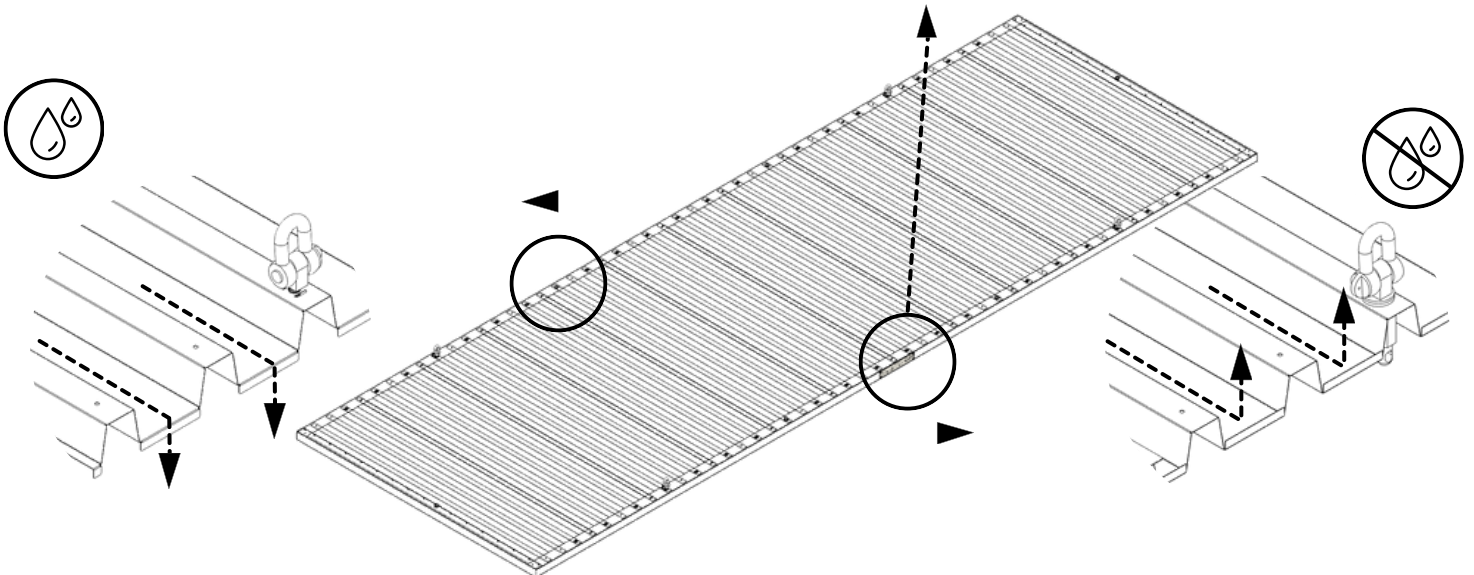
4



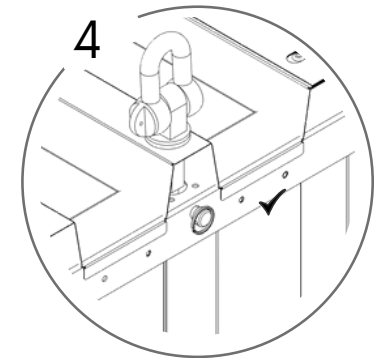
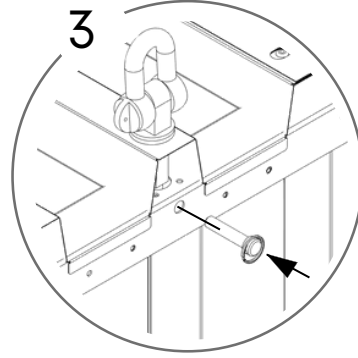
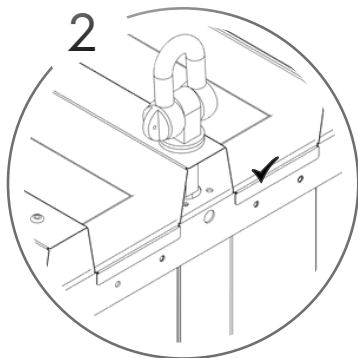
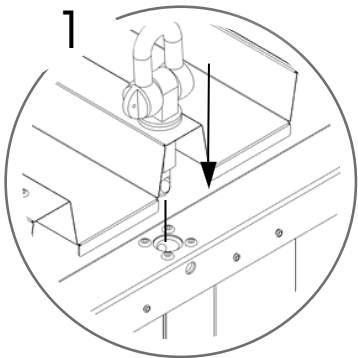
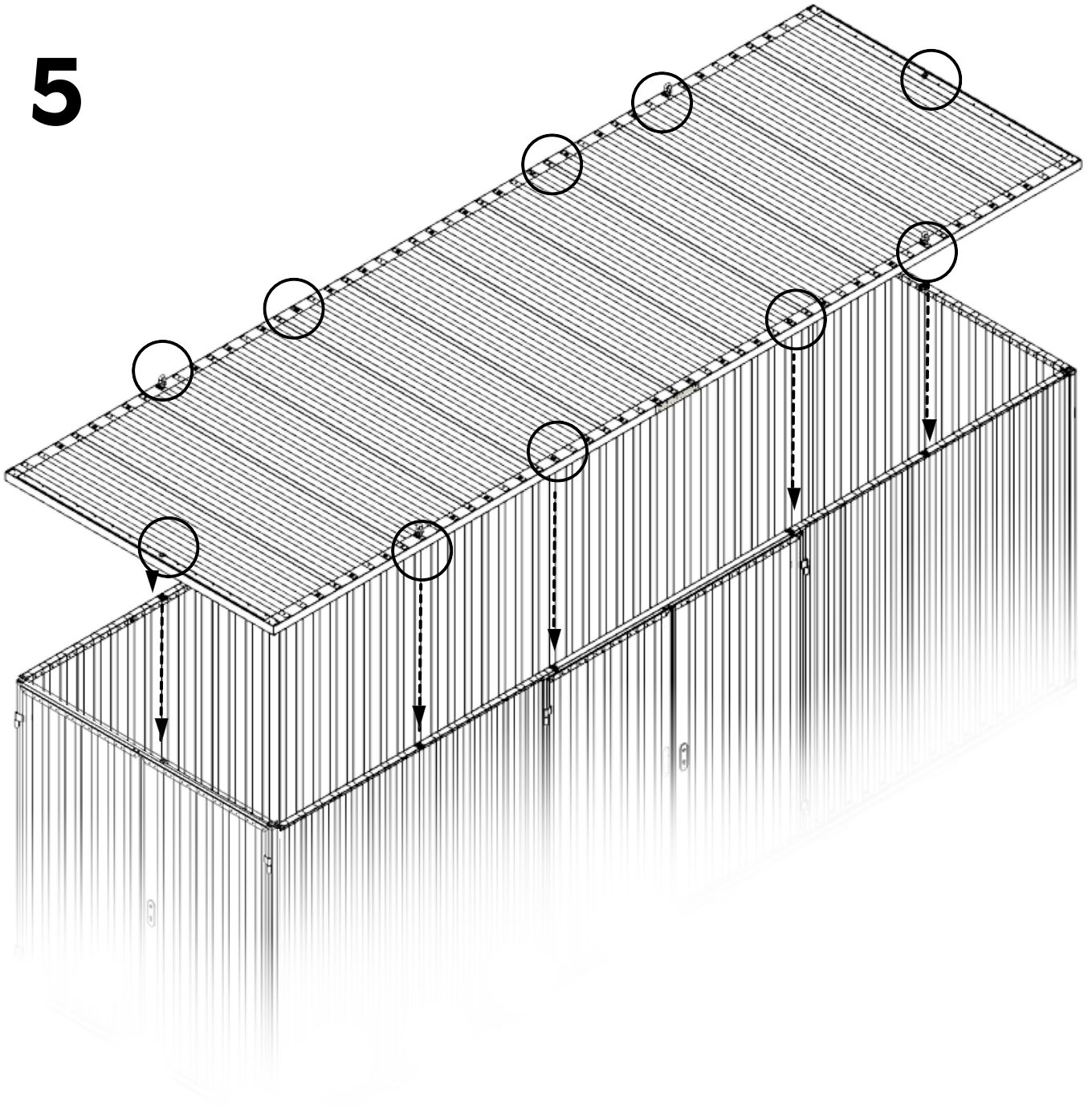
4.1



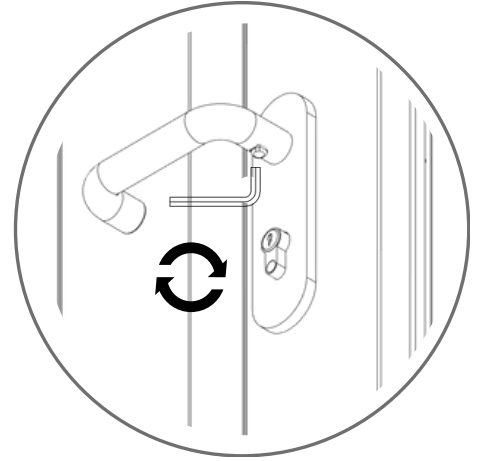
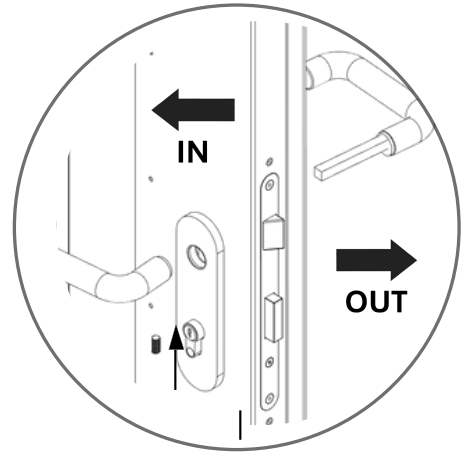
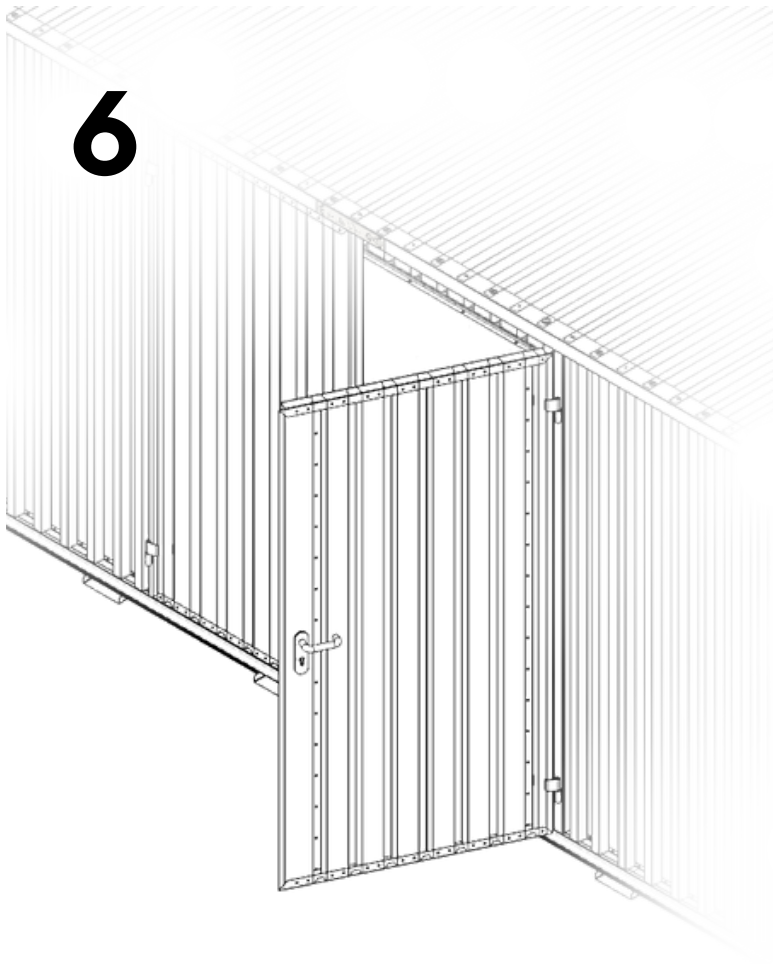
 613 KG	 1640 MM	Model Code: 60.110.430.330 Production Tracking Code:/X09.1.60.430.330  9001  14001  50001	 	
---	--	---	---	---



5



6



7

