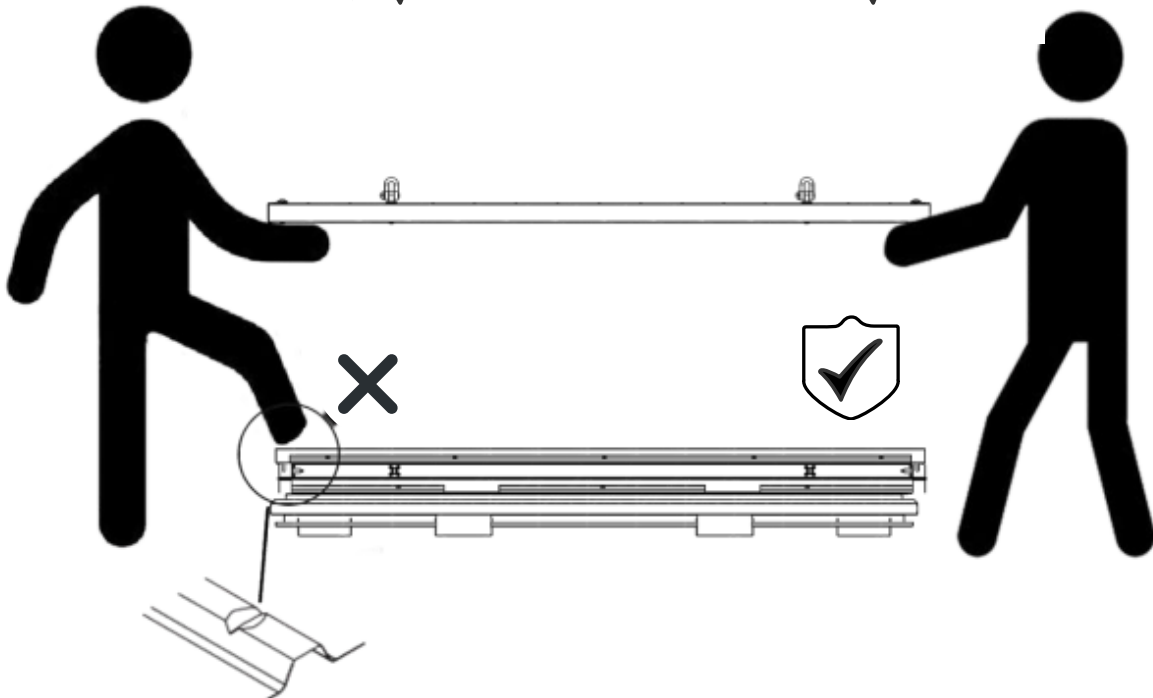


PRODUCT CODE:303.110.430.440

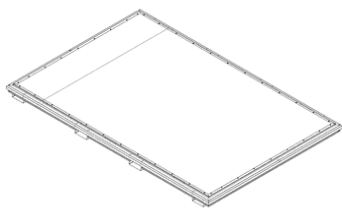
**prefabase**  
Quick Build Solutions

Instructions and User Guide



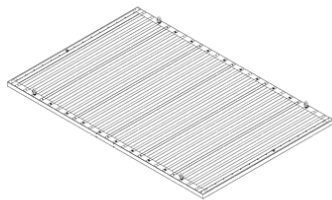
30.0110

2x



30.0510

2x



303.0110

1x



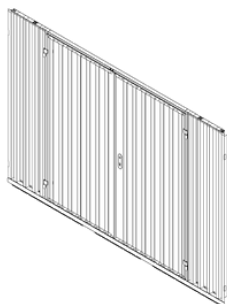
303.0510

1x



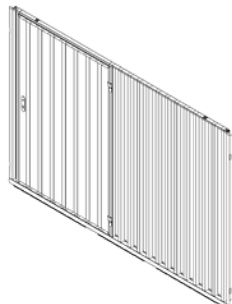
30.0430

1x



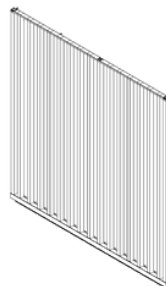
30.0440

1x



0310

4x



305.20.08

2x



305.20.09

2x

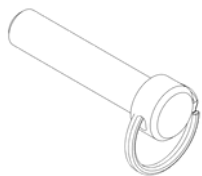


61.101

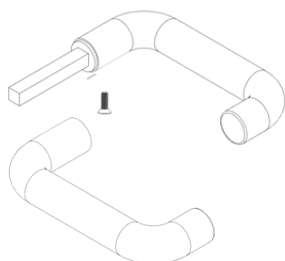
4x



20x



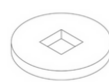
2x



10x



10x



10x



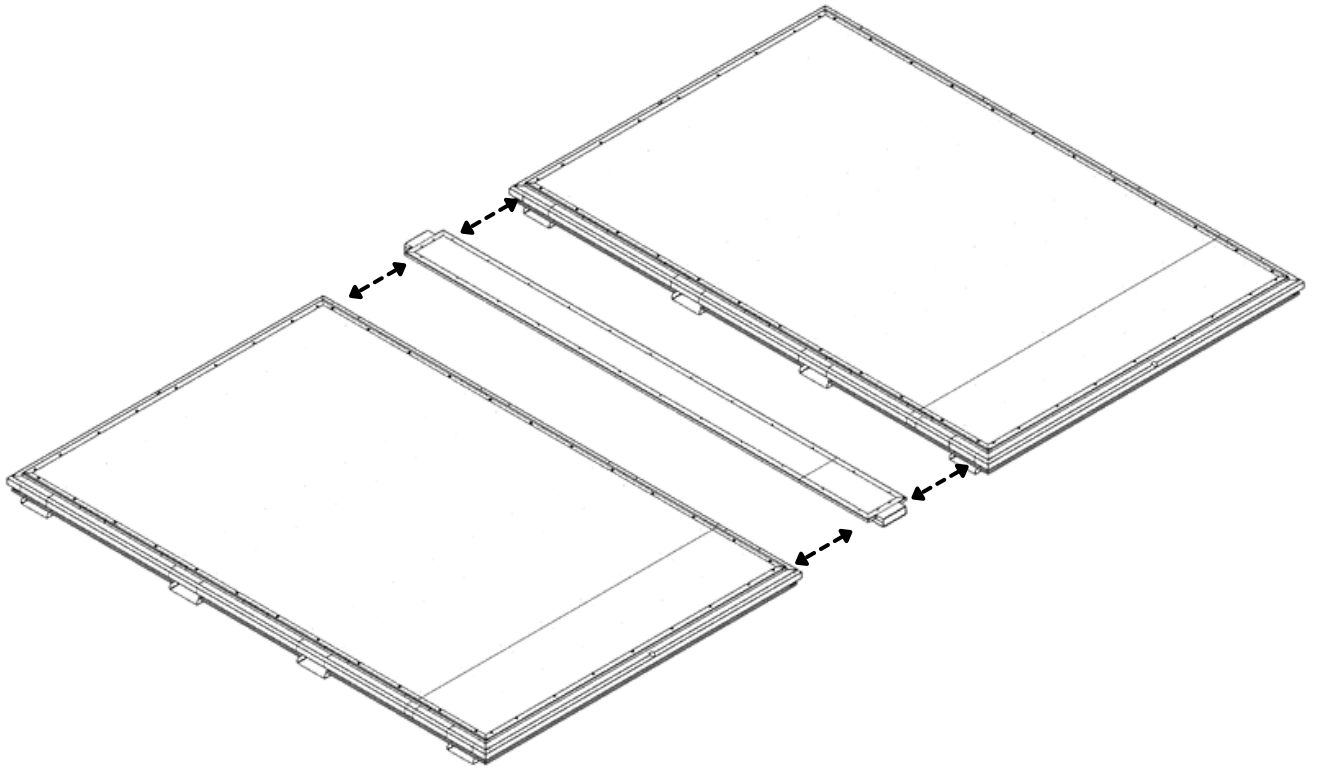
1x



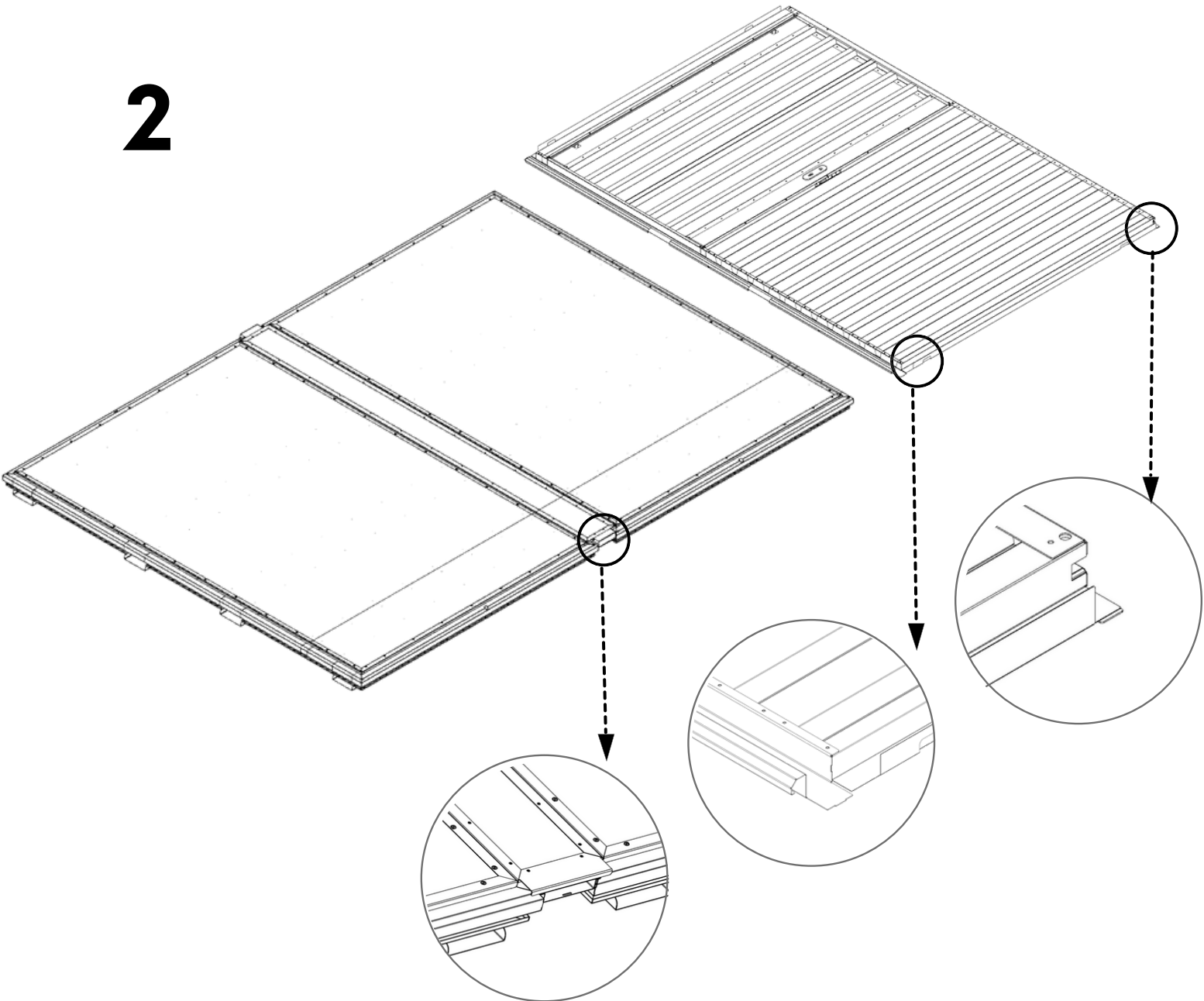
2x

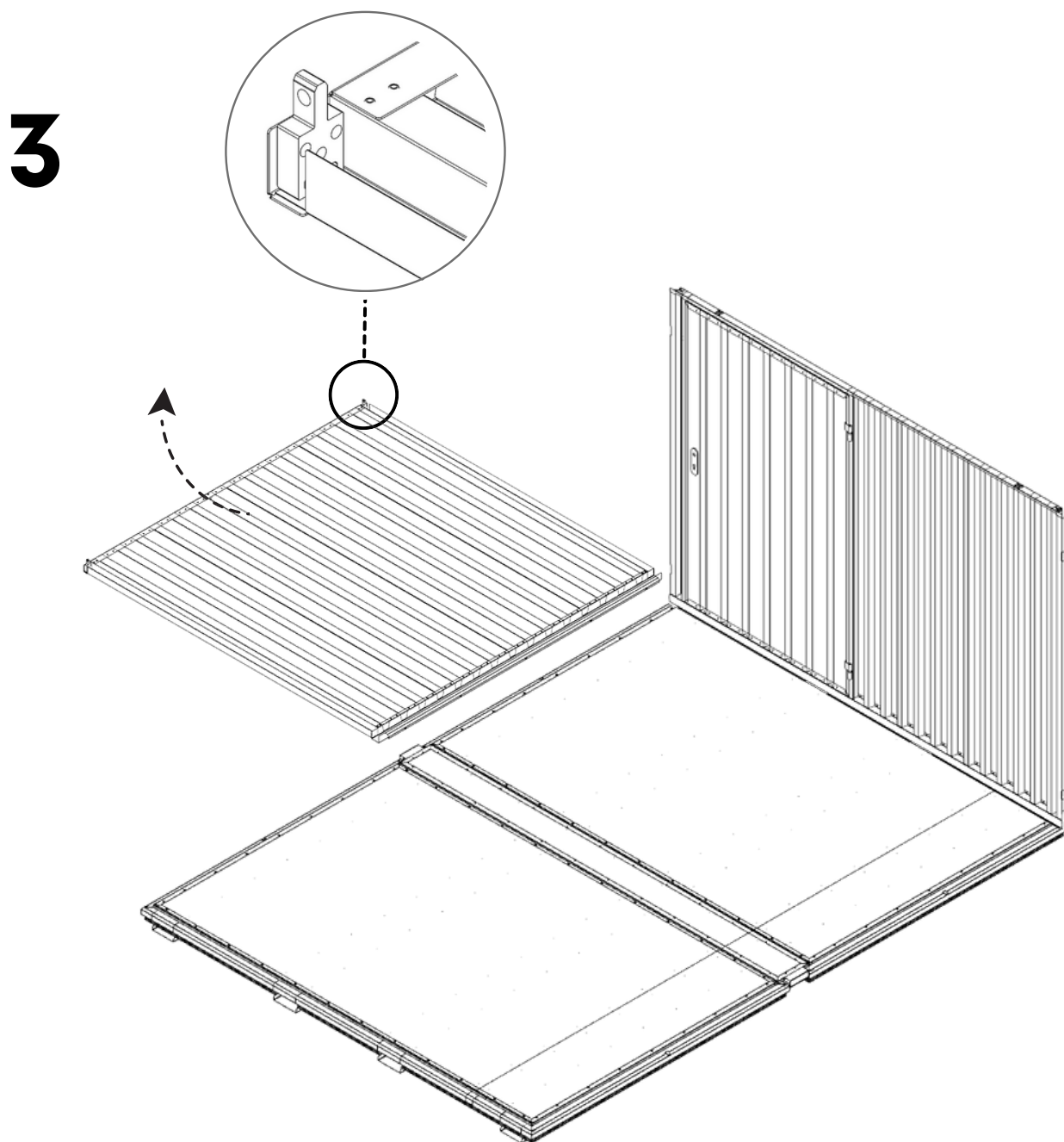
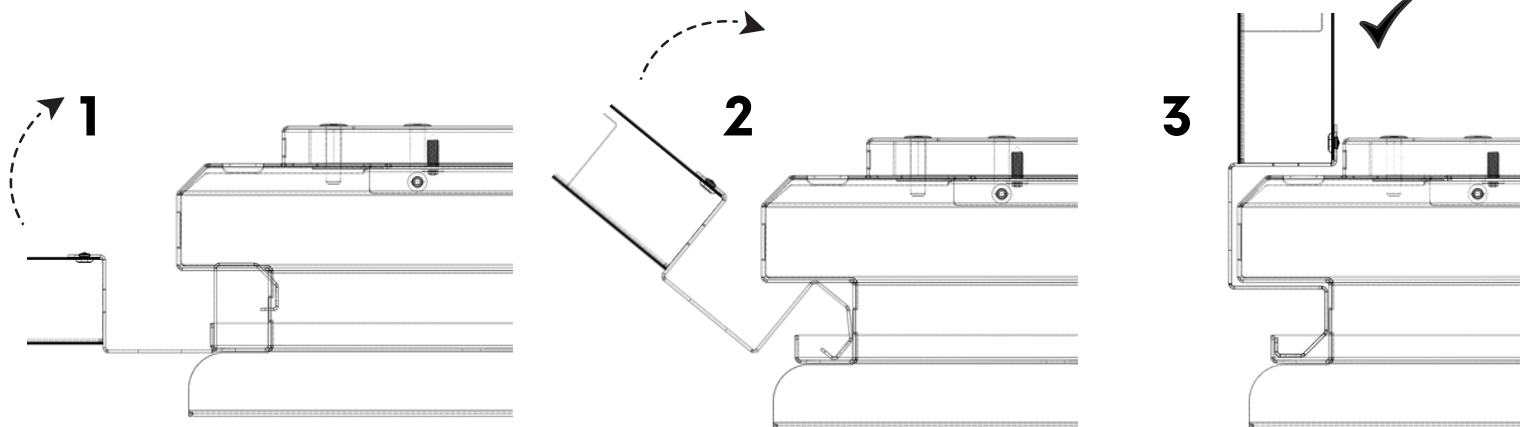


1



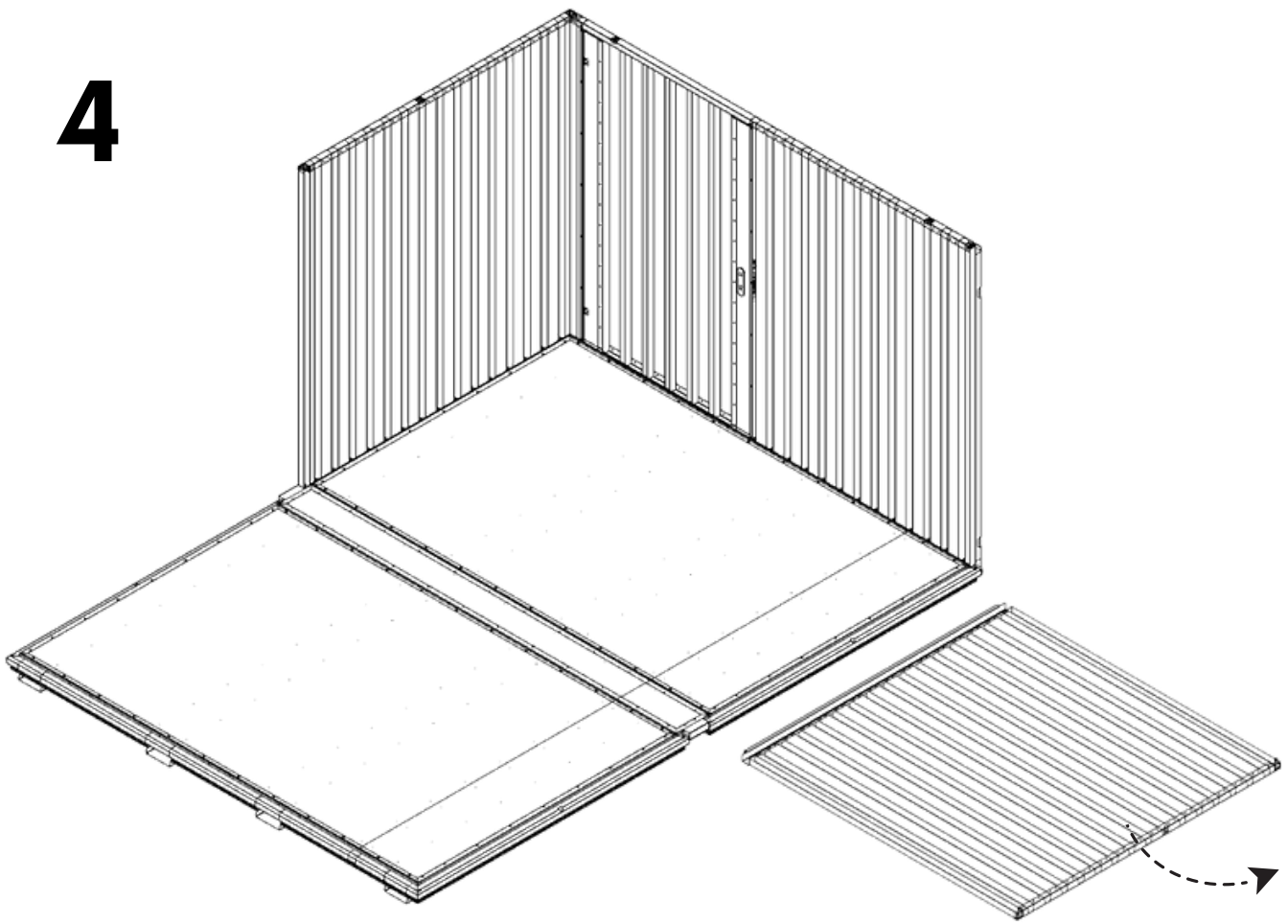
2



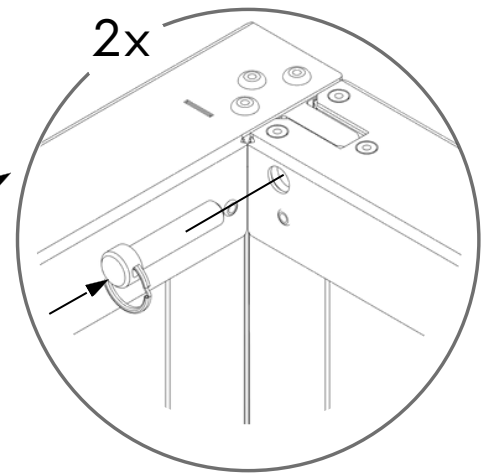
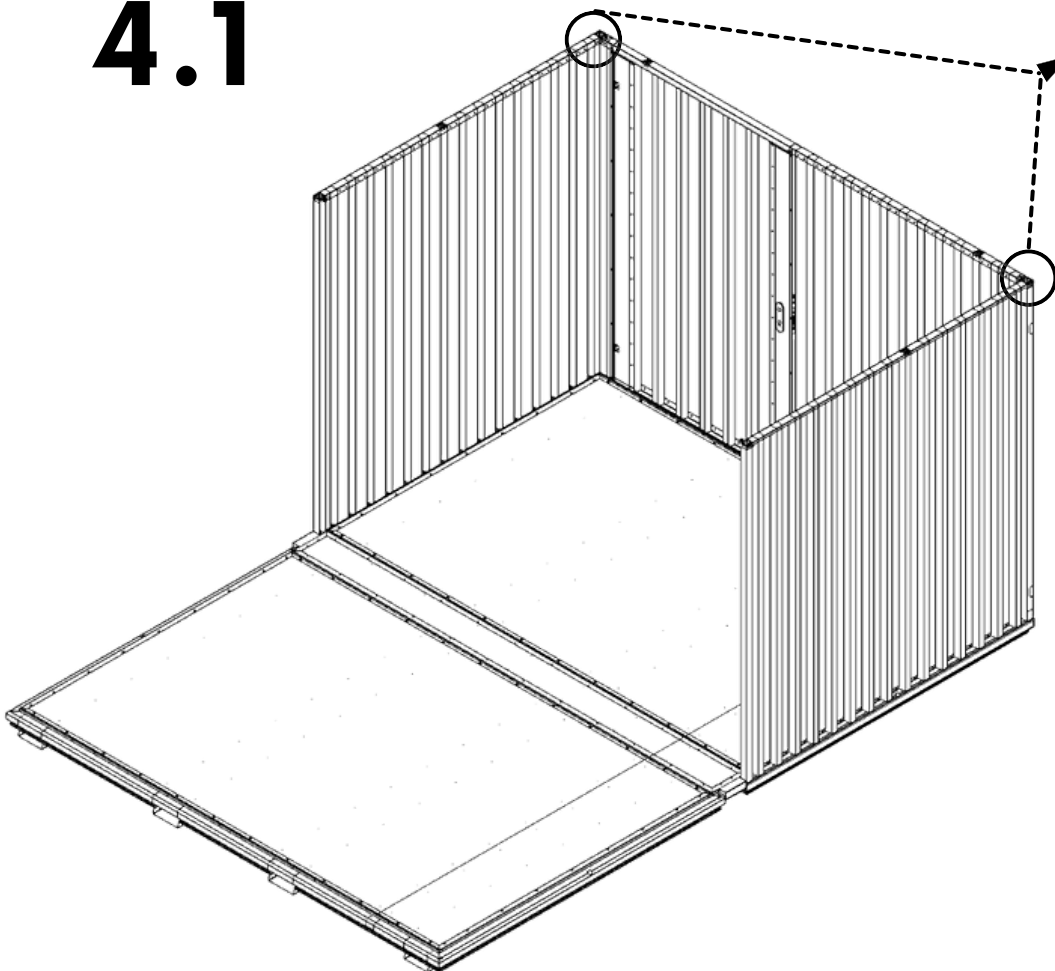




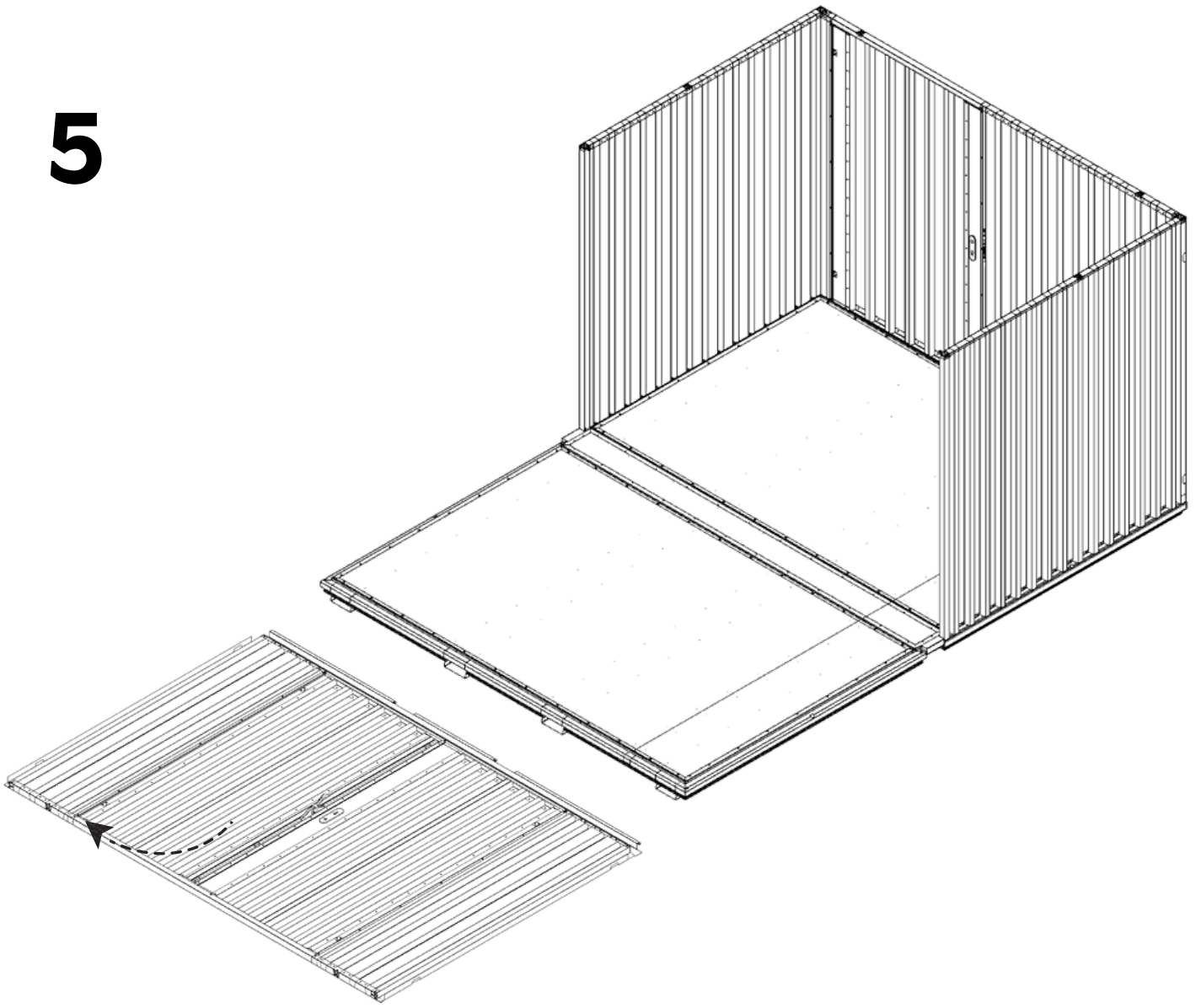
**4**



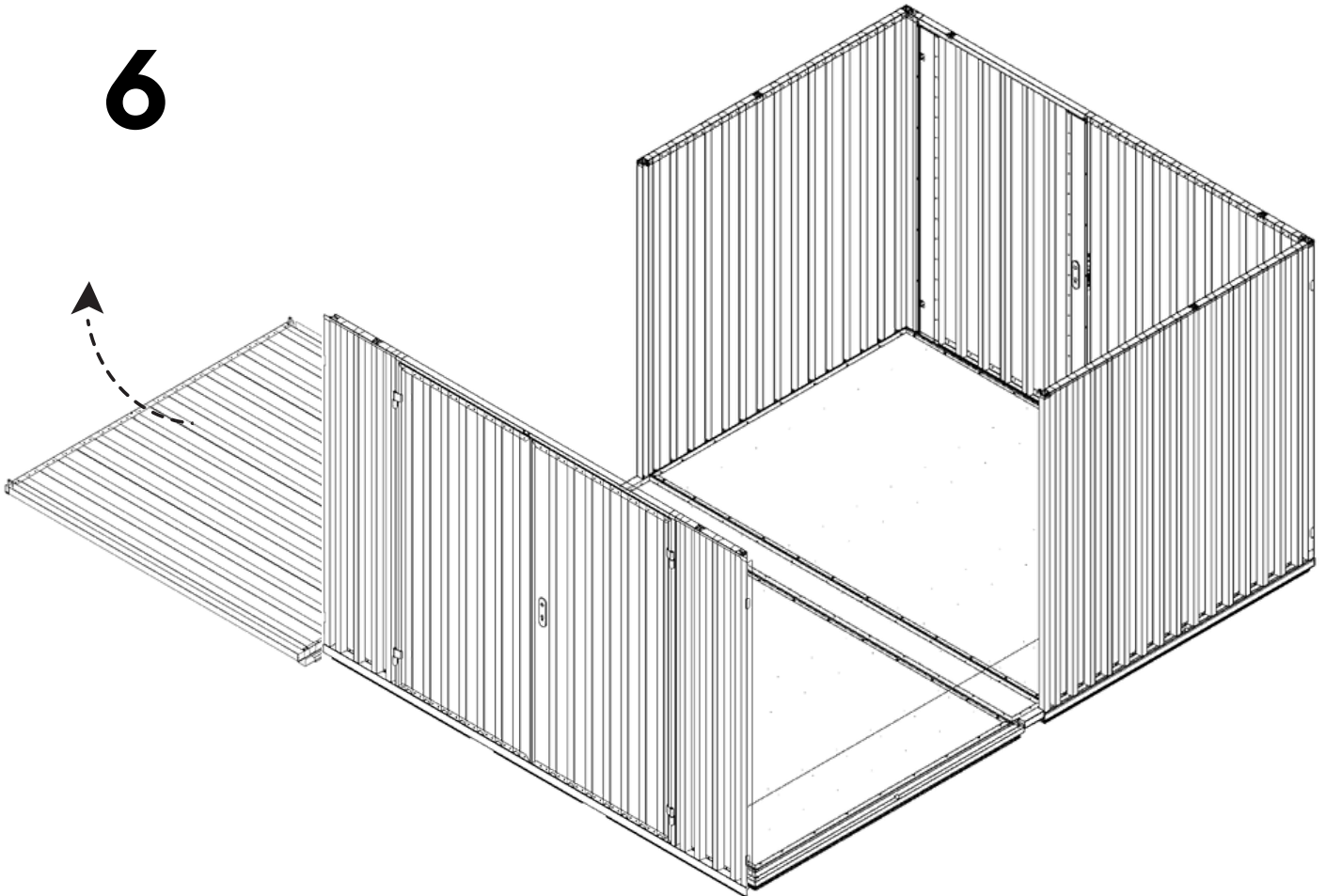
**4.1**



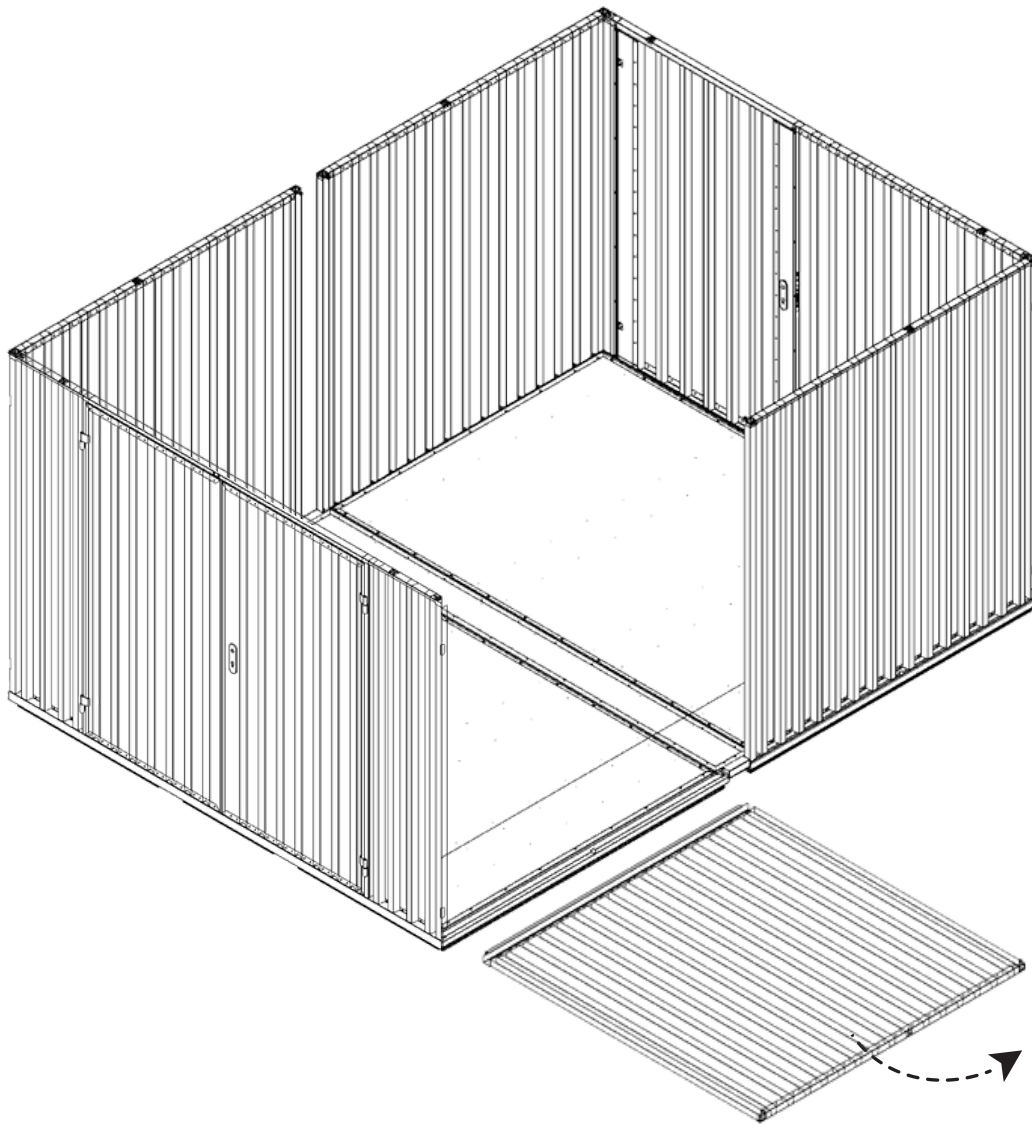
5



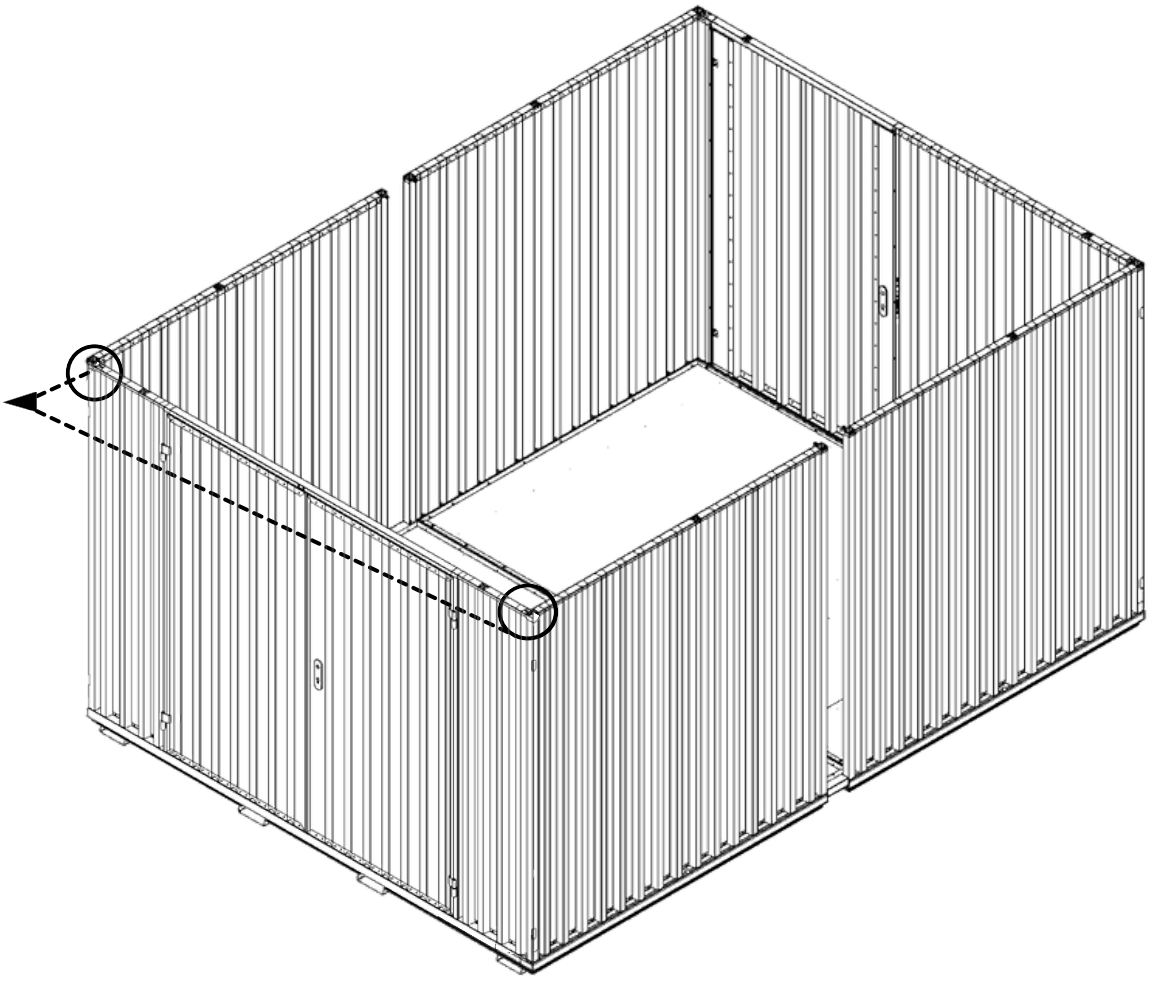
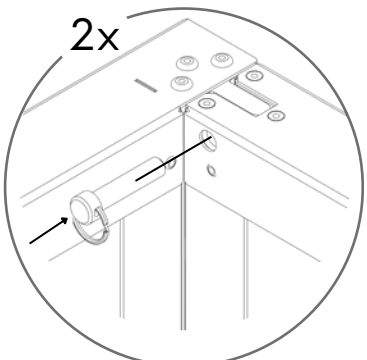
6



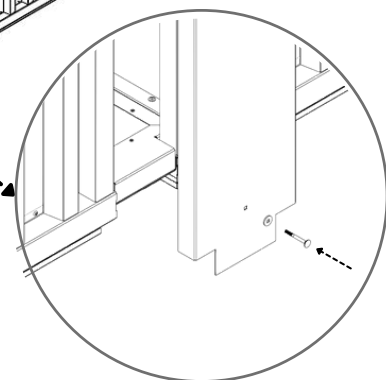
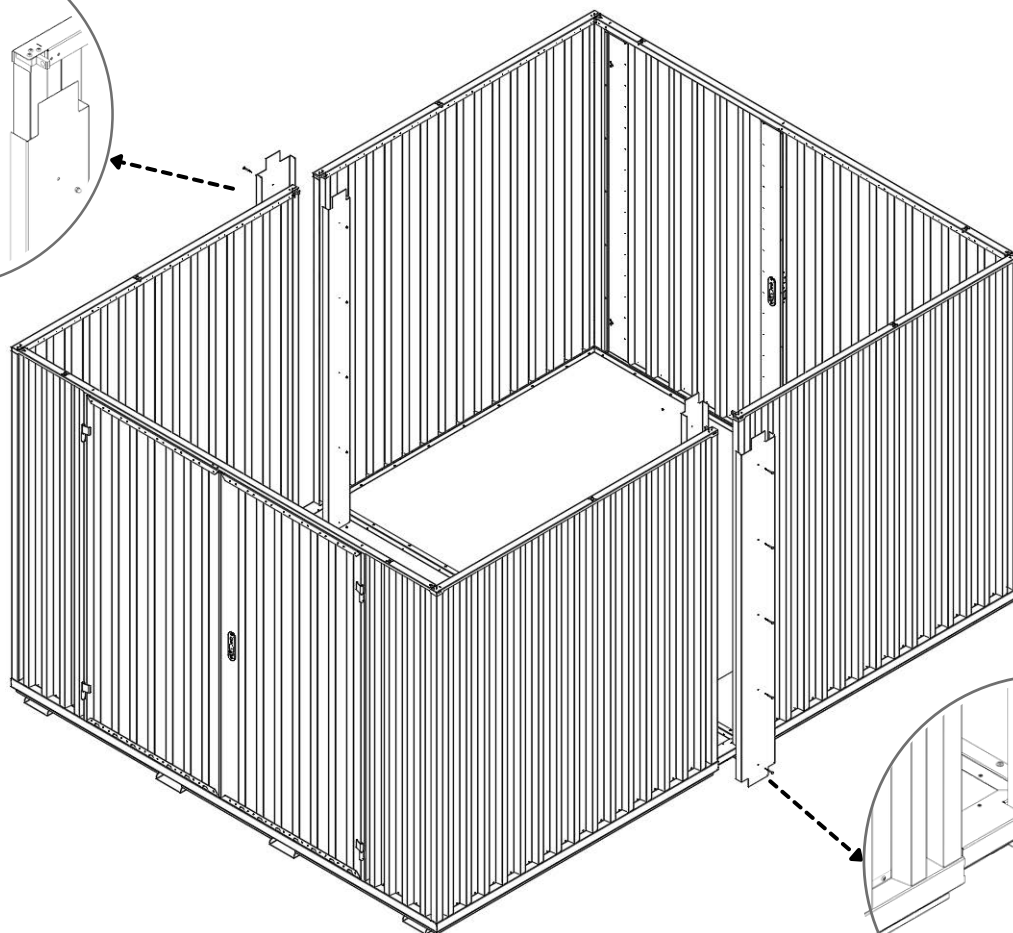
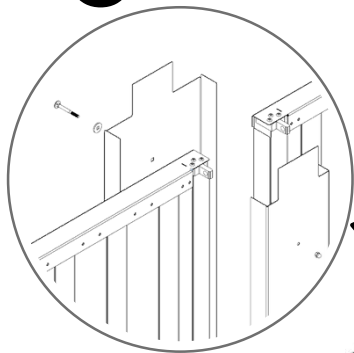
# 7



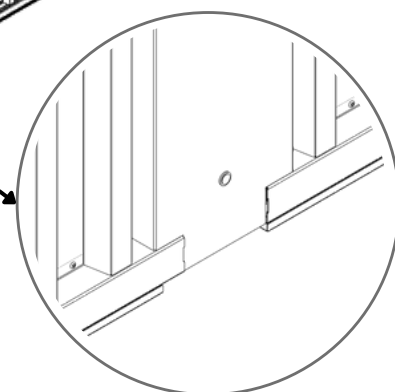
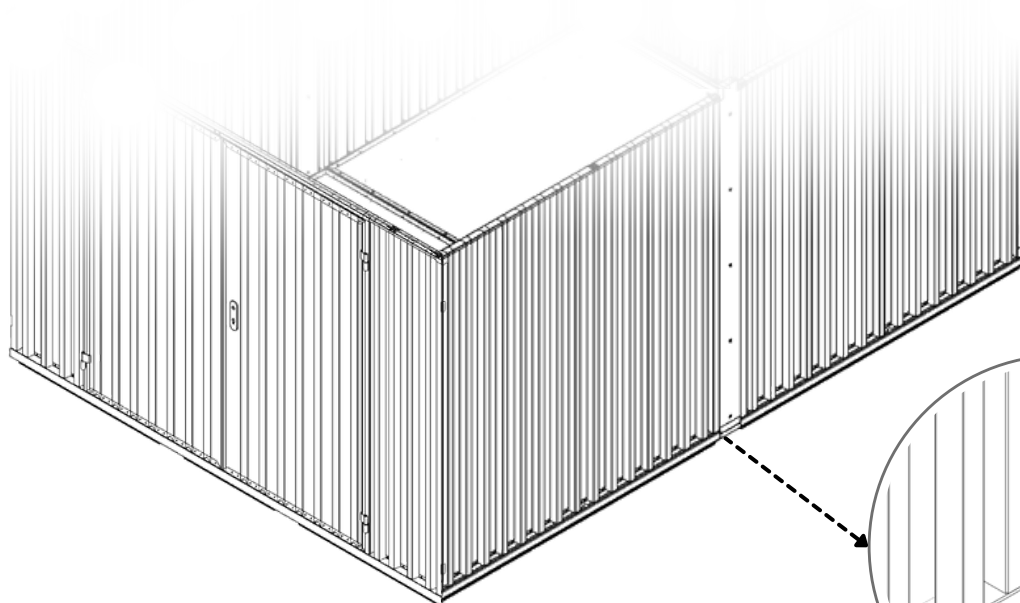
# 7.1



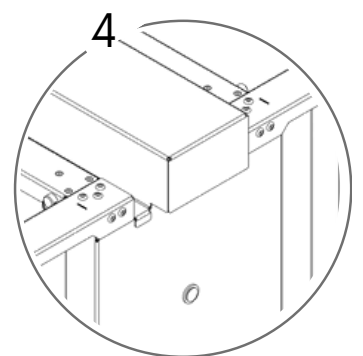
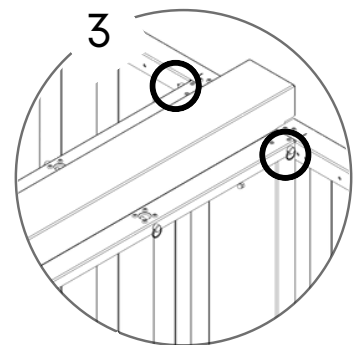
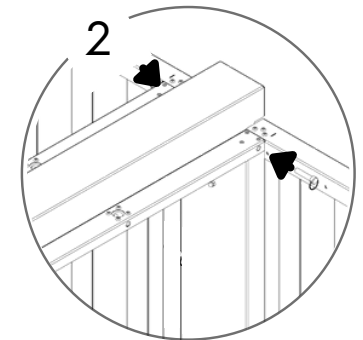
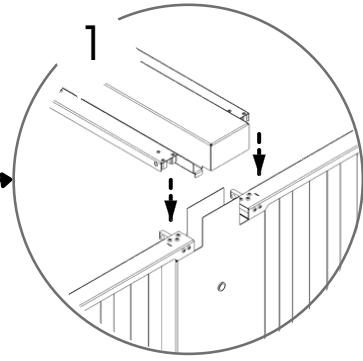
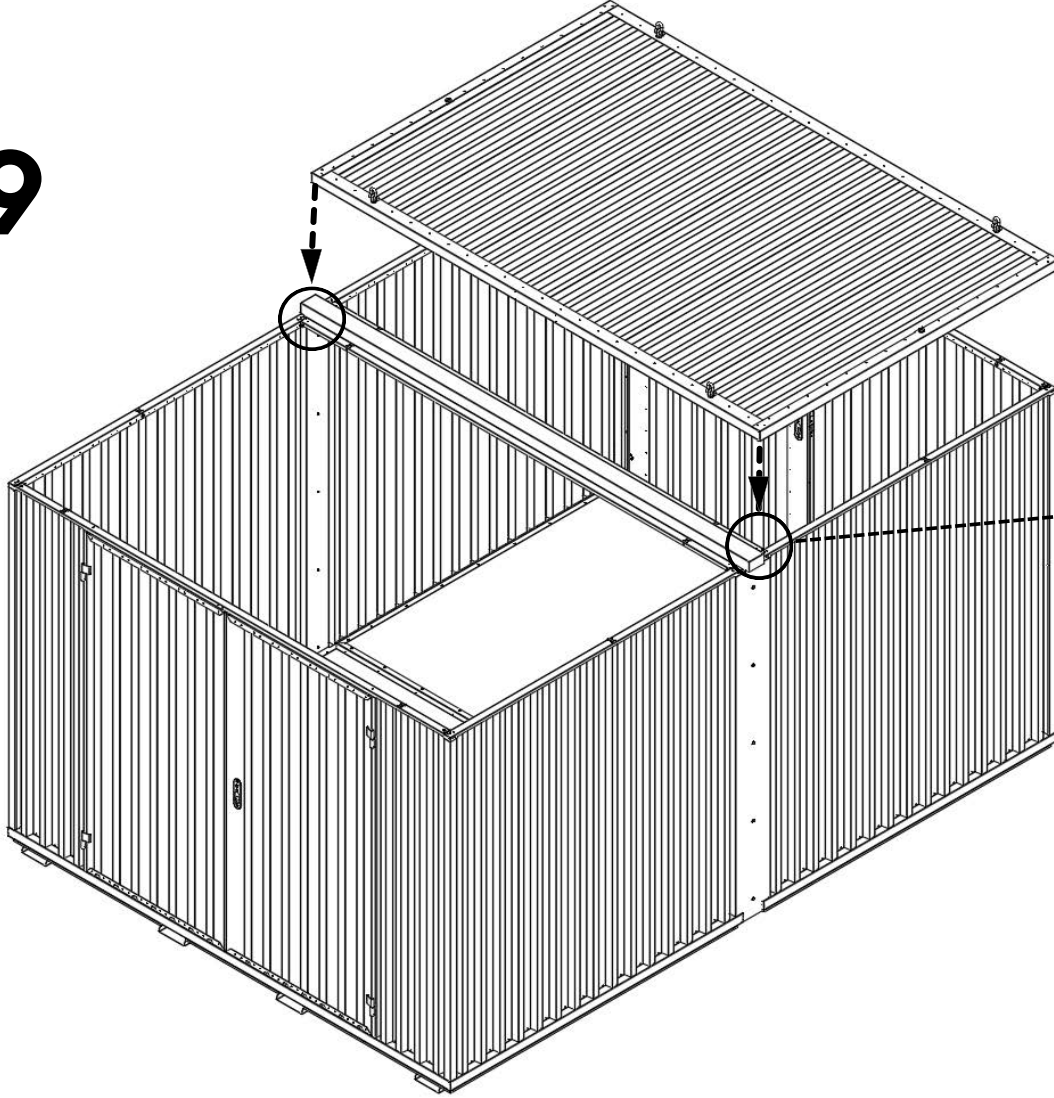
# 8



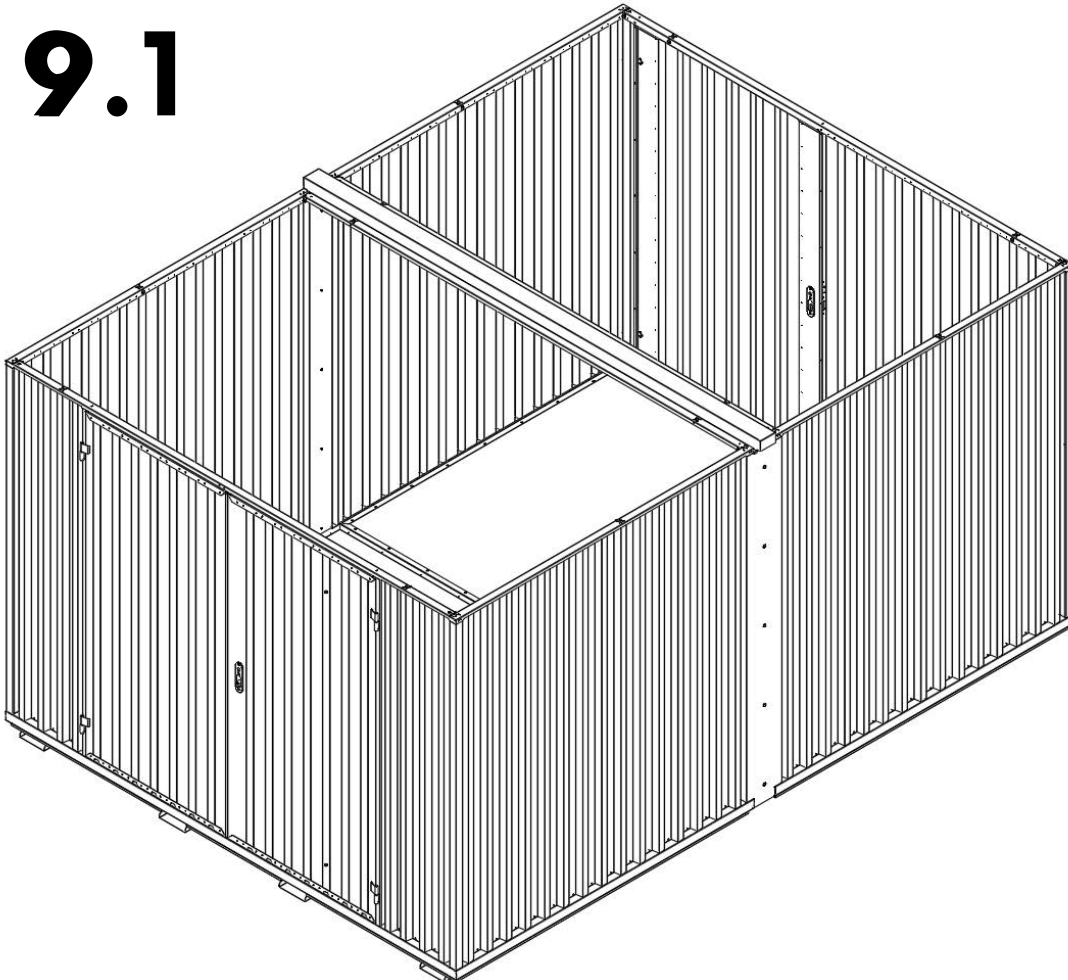
# 8.1



# 9











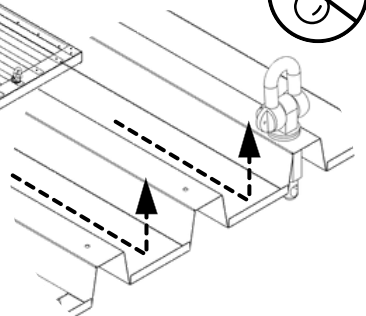
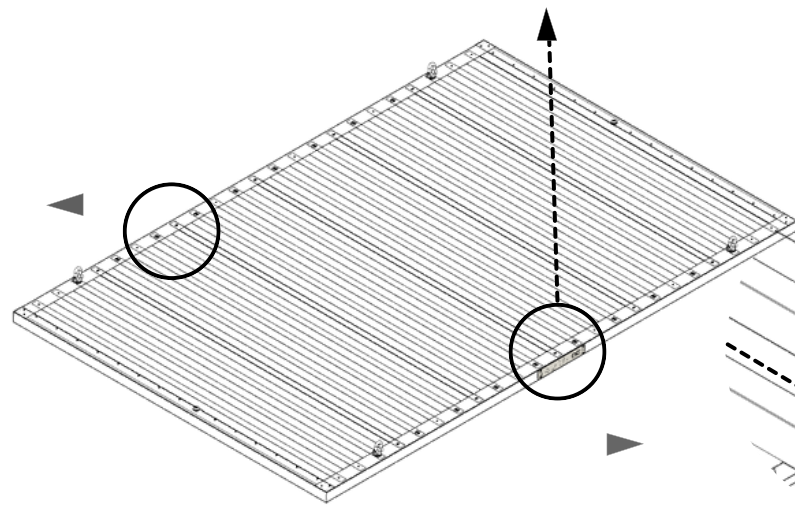
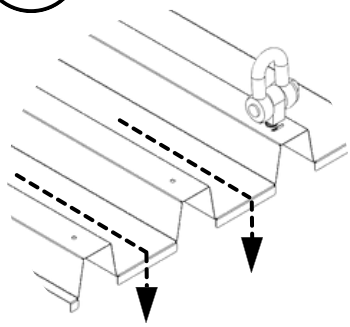
# 9.1



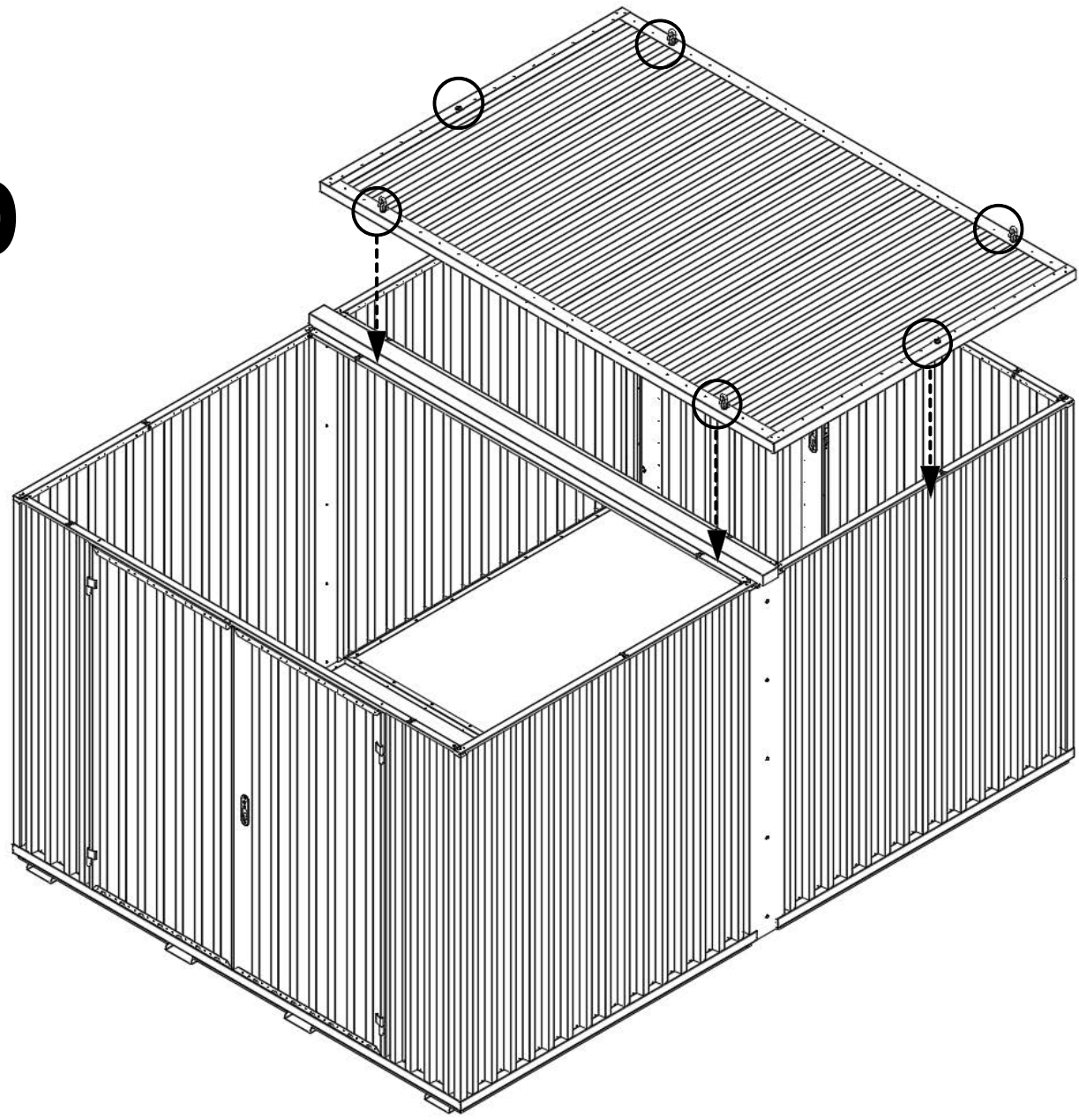




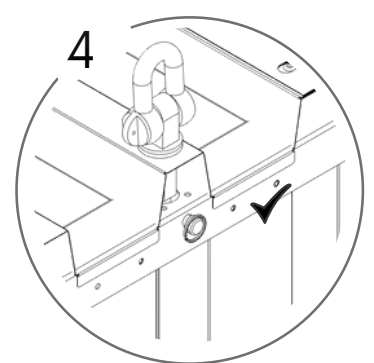
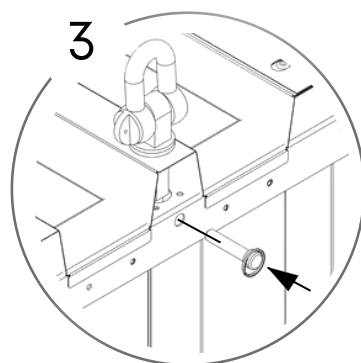
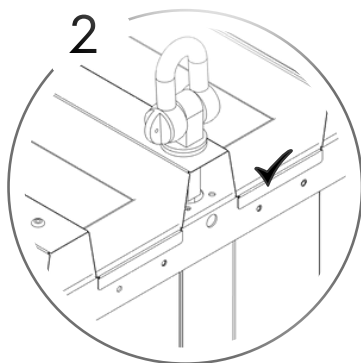
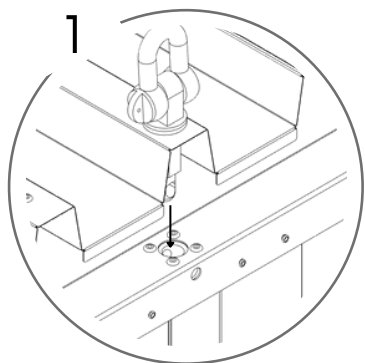
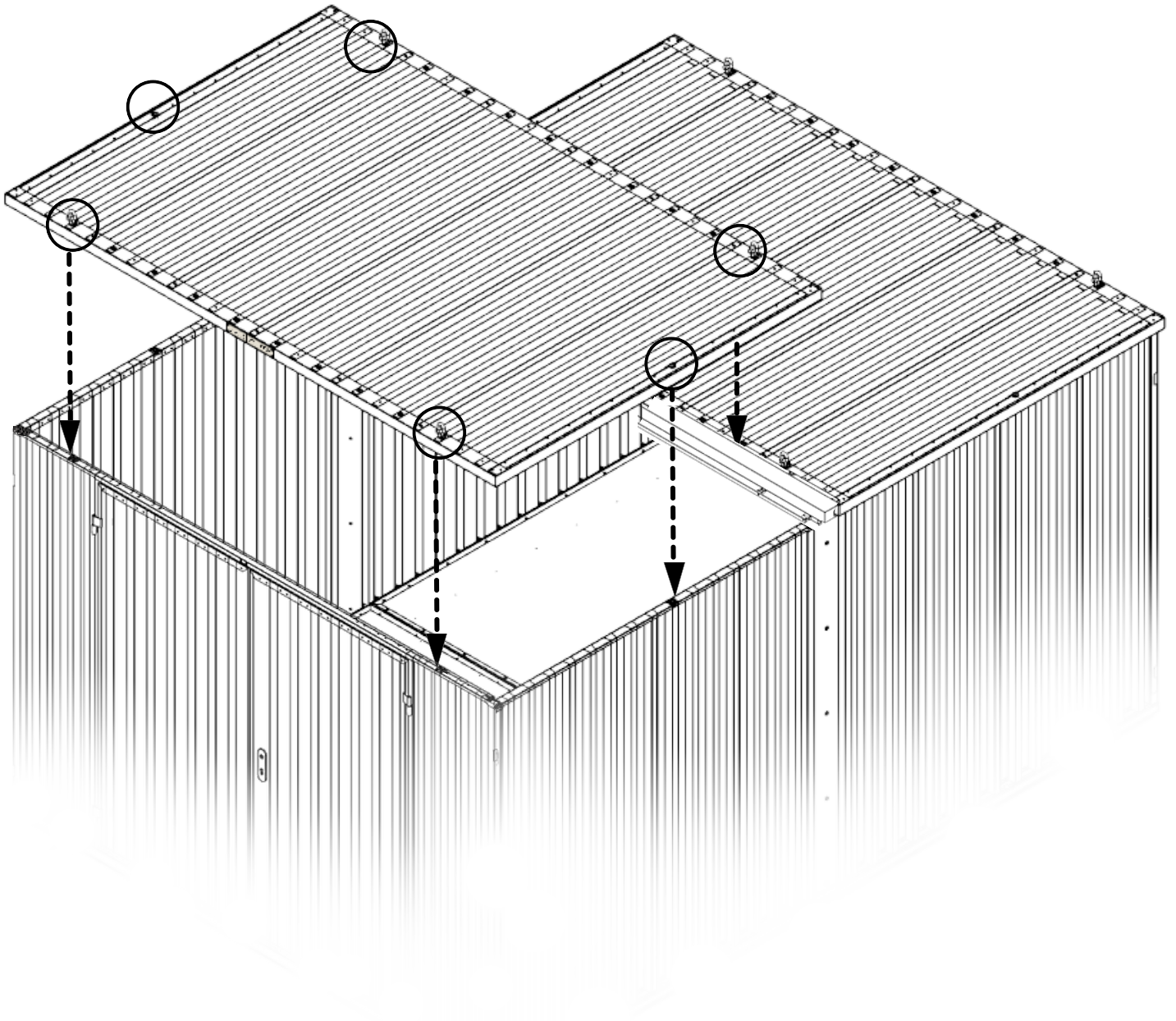
 632 KG	 1640 MM	Model Code: 303.110.430.440 Production Tracking Code: ...../X09.1.303.430.440	 9001	 14001	 50001			
---	--	---	---	--	--	---	---	---



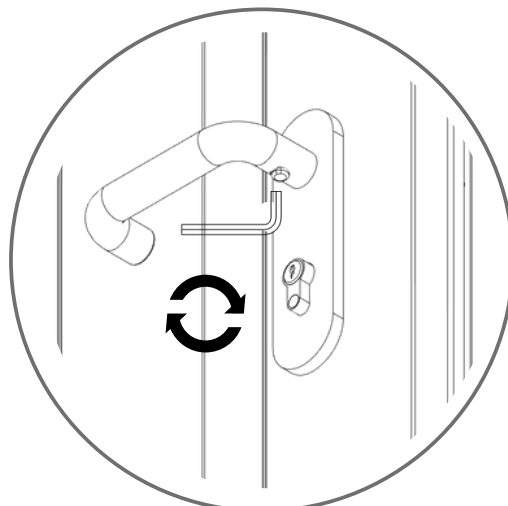
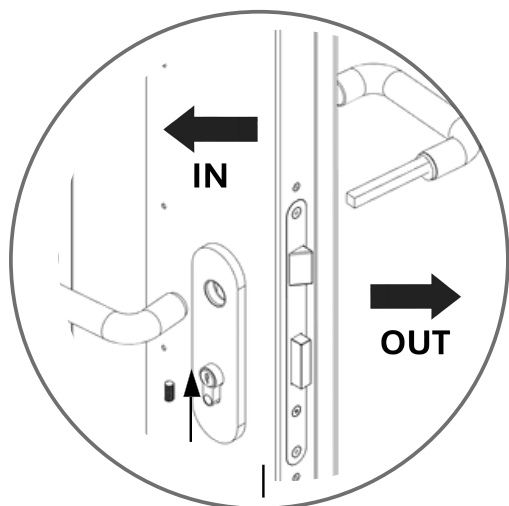
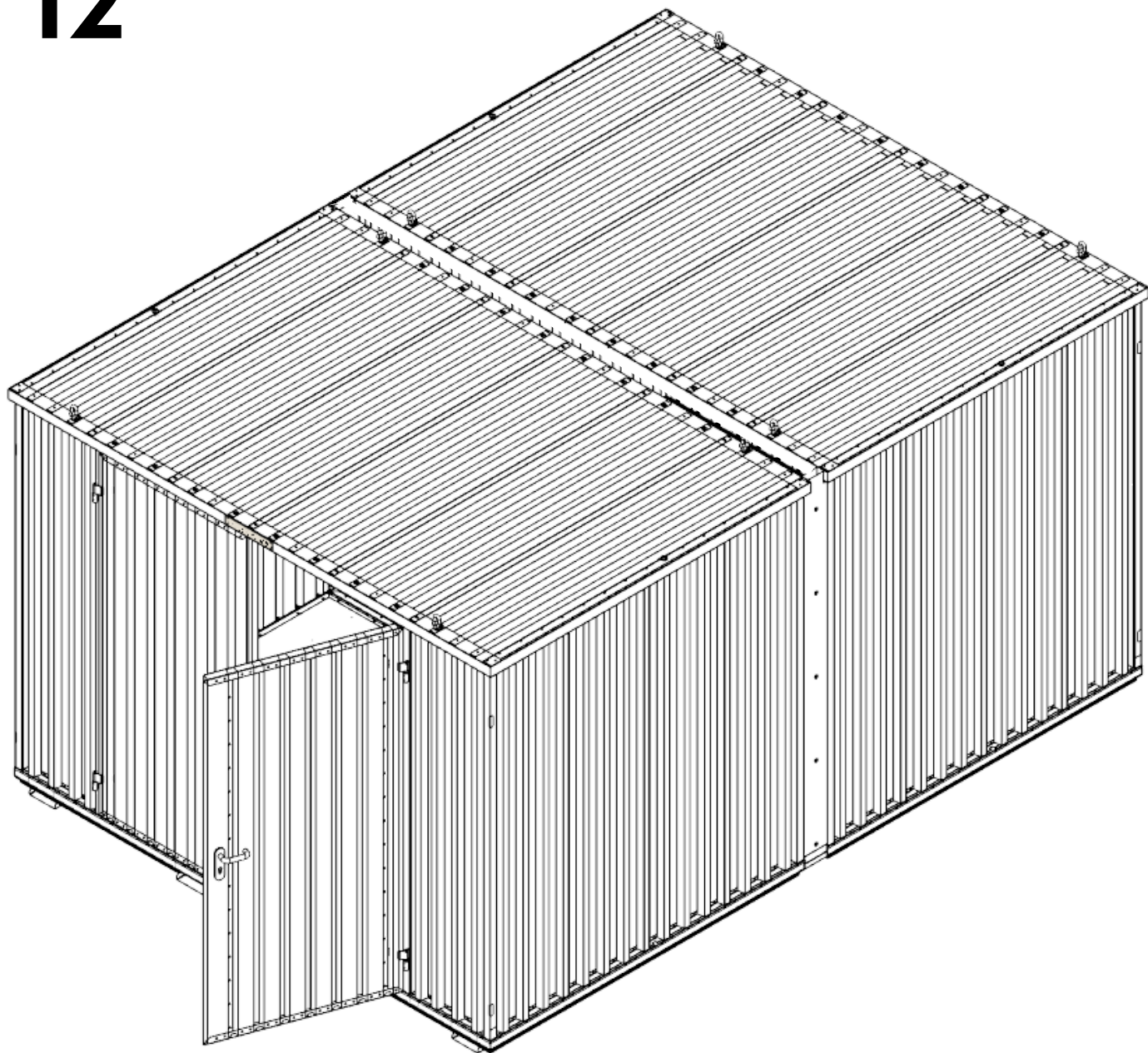
**10**



# 11



# 12





13

