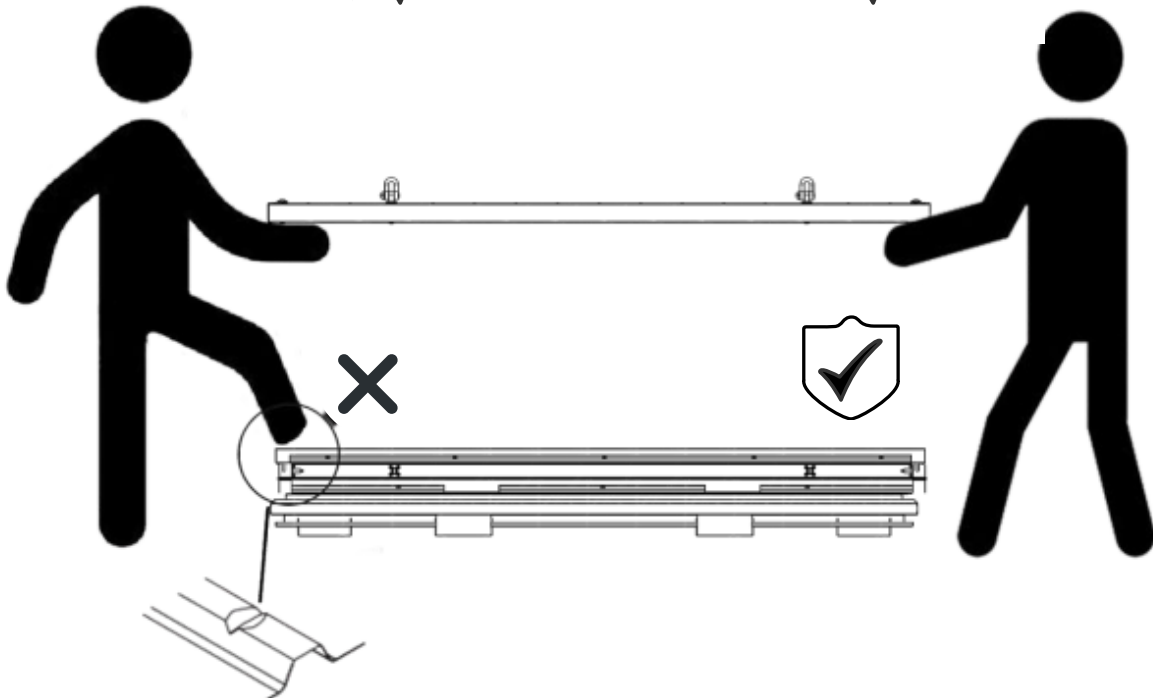
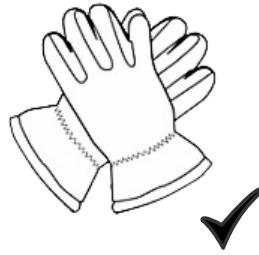
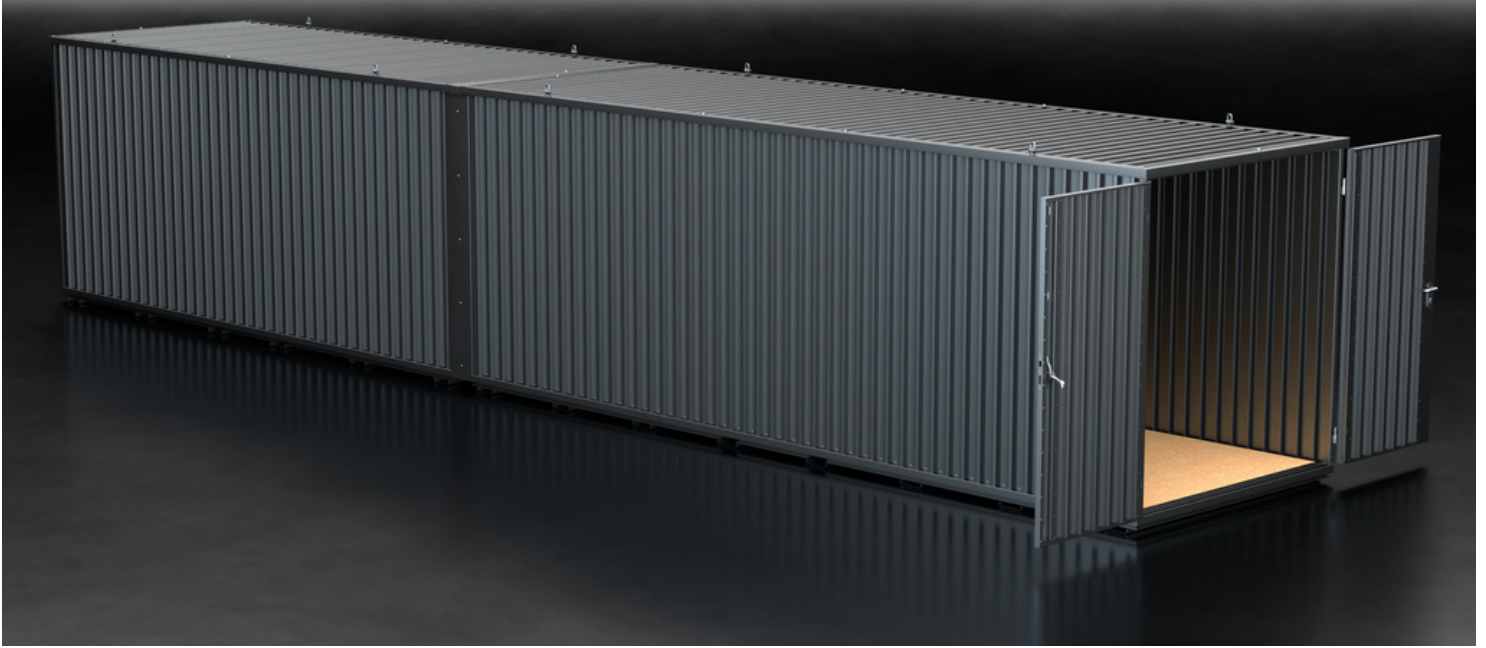


PRODUCT CODE:6050.110.330

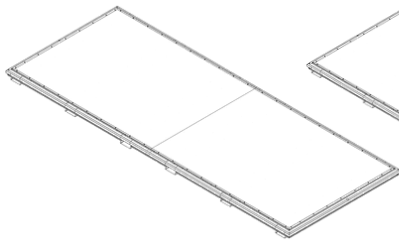
prefabase
Quick Build Solutions

Instructions and User Guide



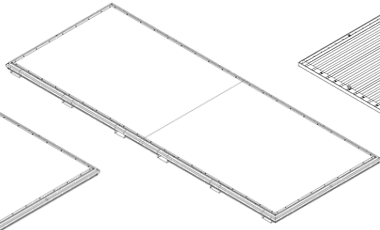
60.0110

1x



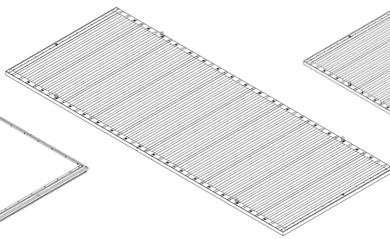
50.0110

1x



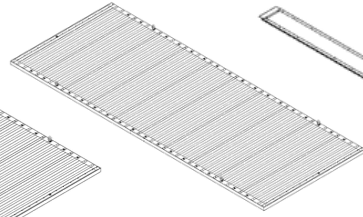
60.0510

1x



50.0510

1x



306.0110

1x



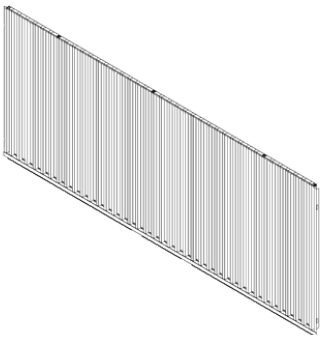
306.0510

1x



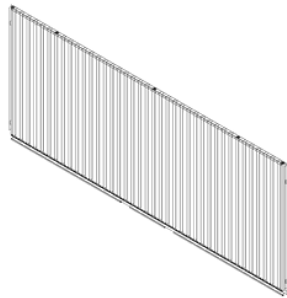
60.0410

2x



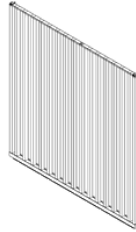
50.0410

2x



0310

1x



0330

1x



306.40.05

2x



306.40.04

2x

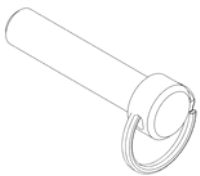


61.101

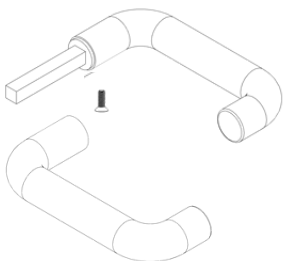
2x



26x



1x



10x



10x



10x



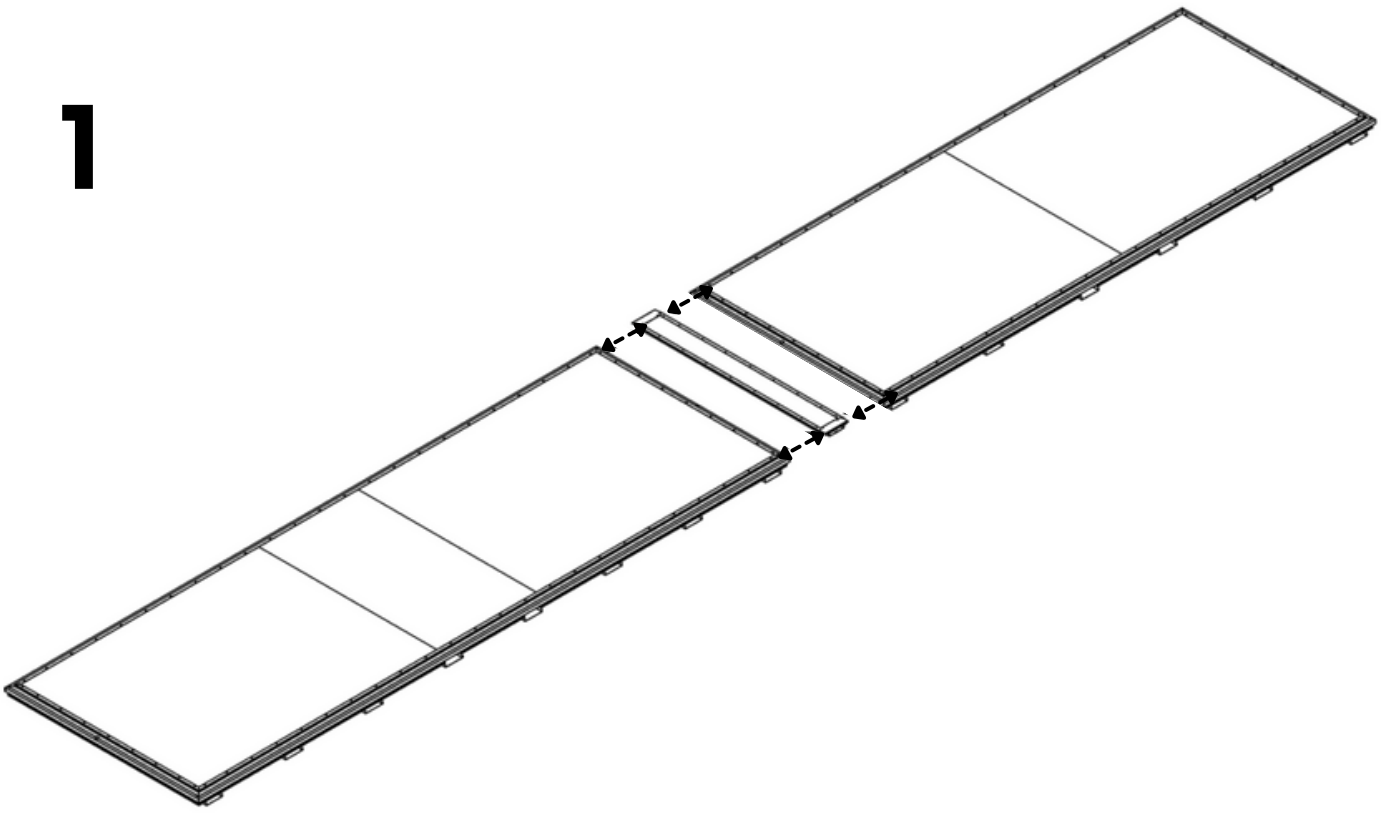
1x



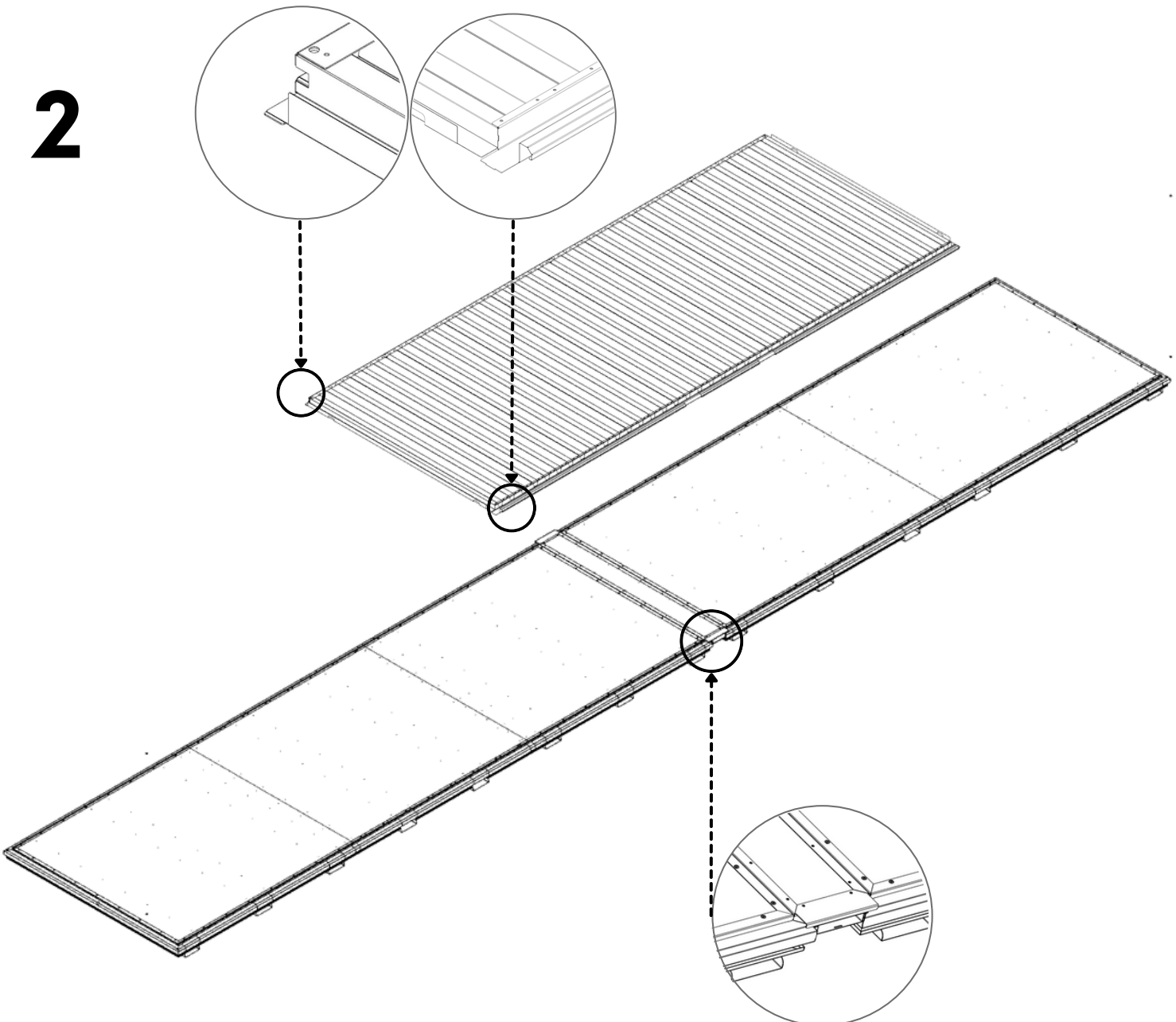
1x

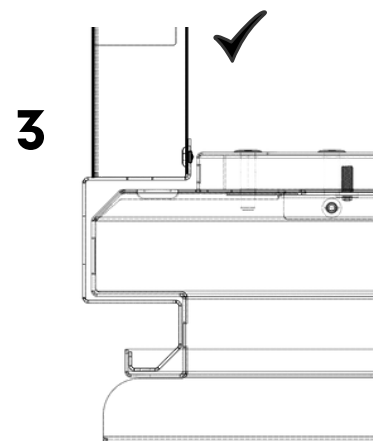
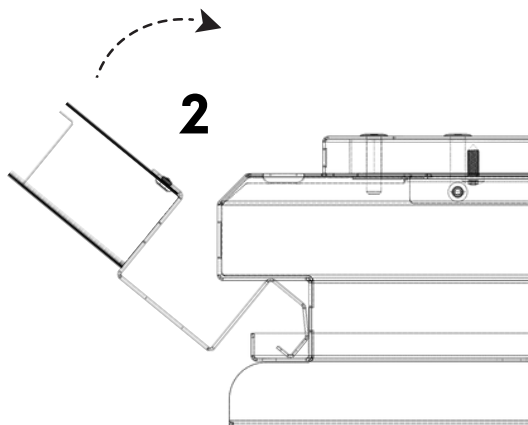
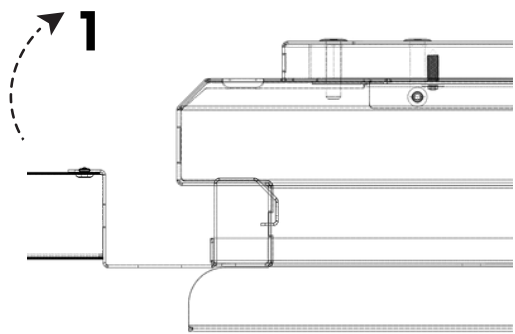


1

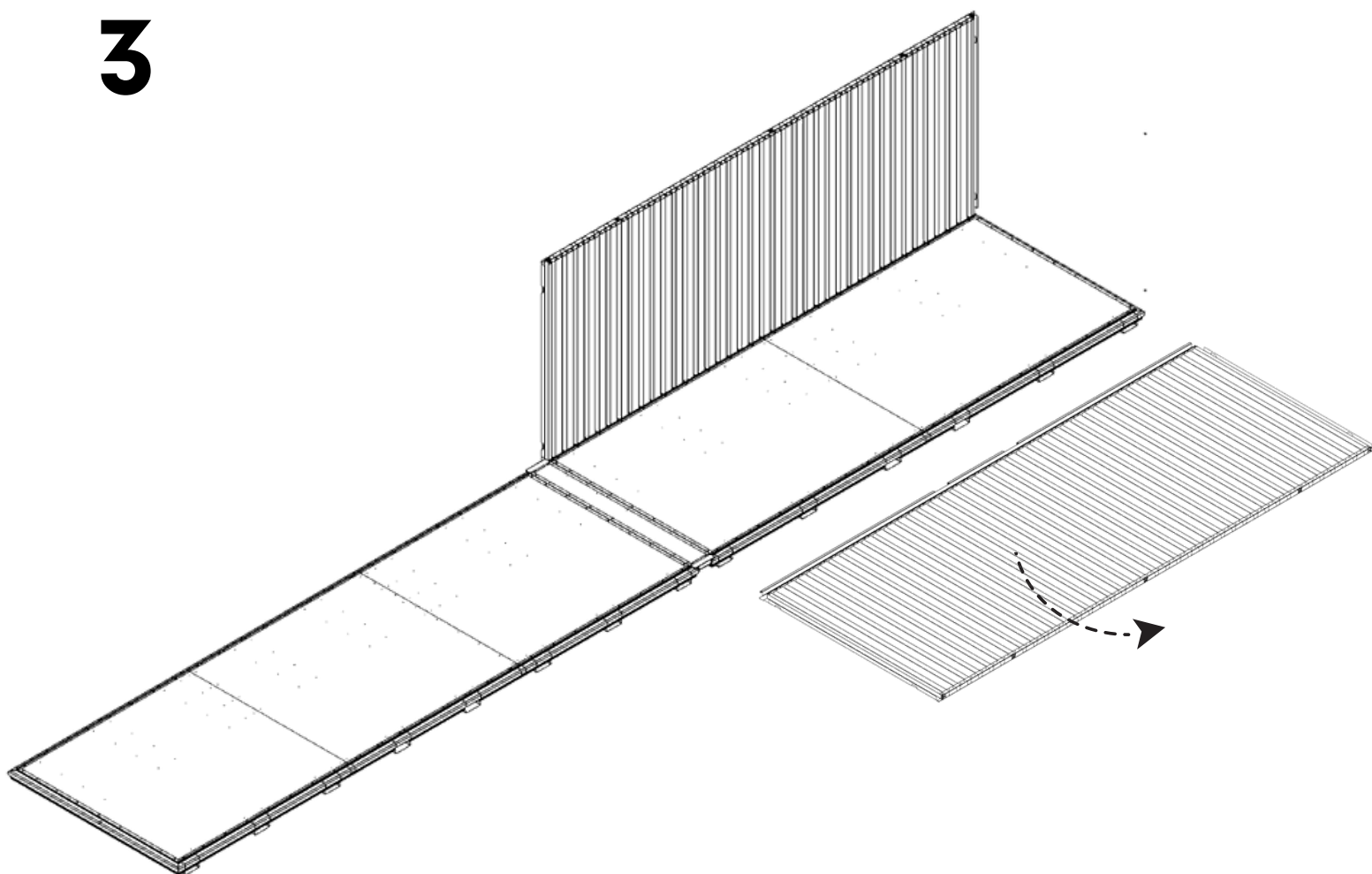


2

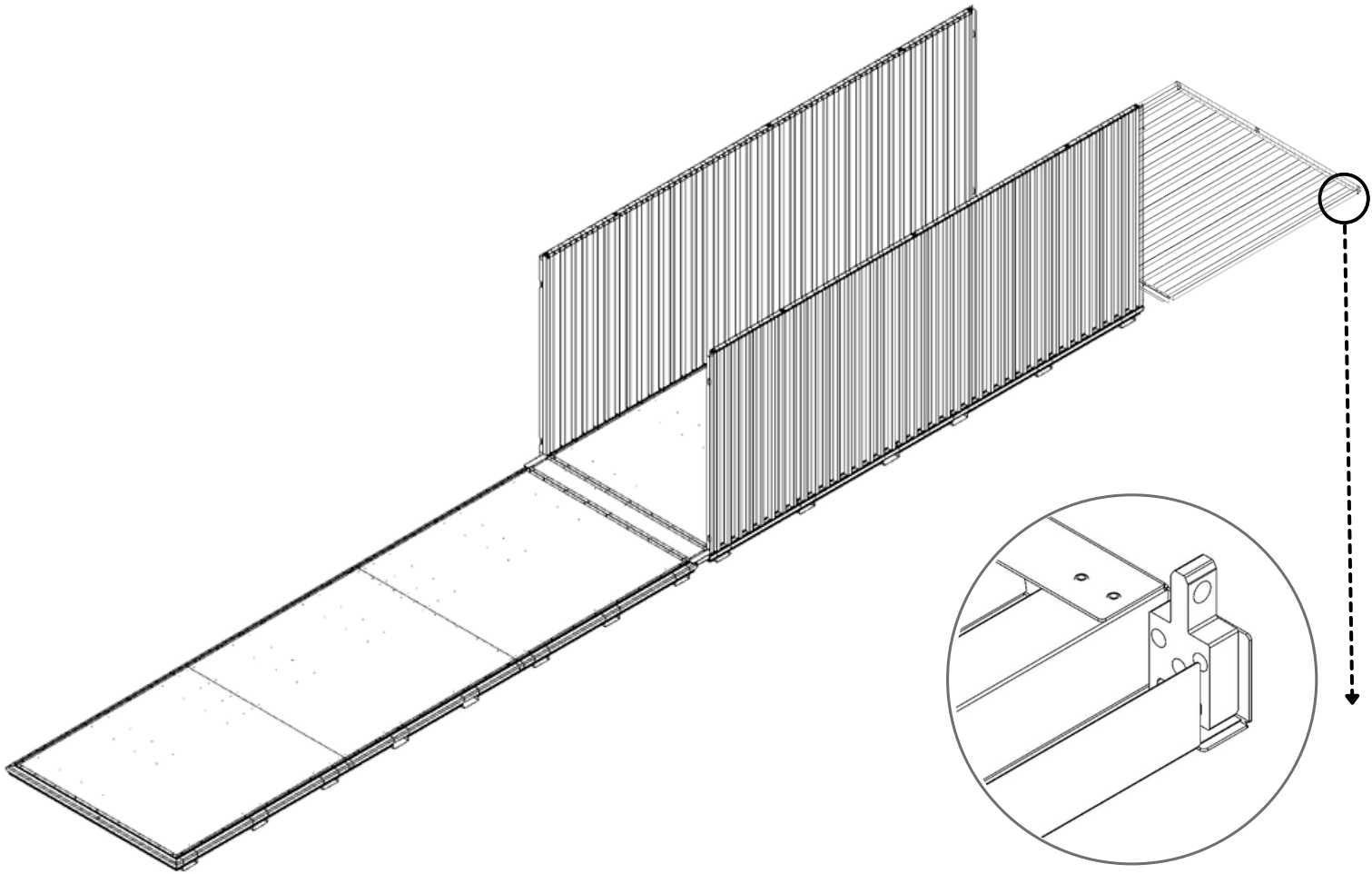




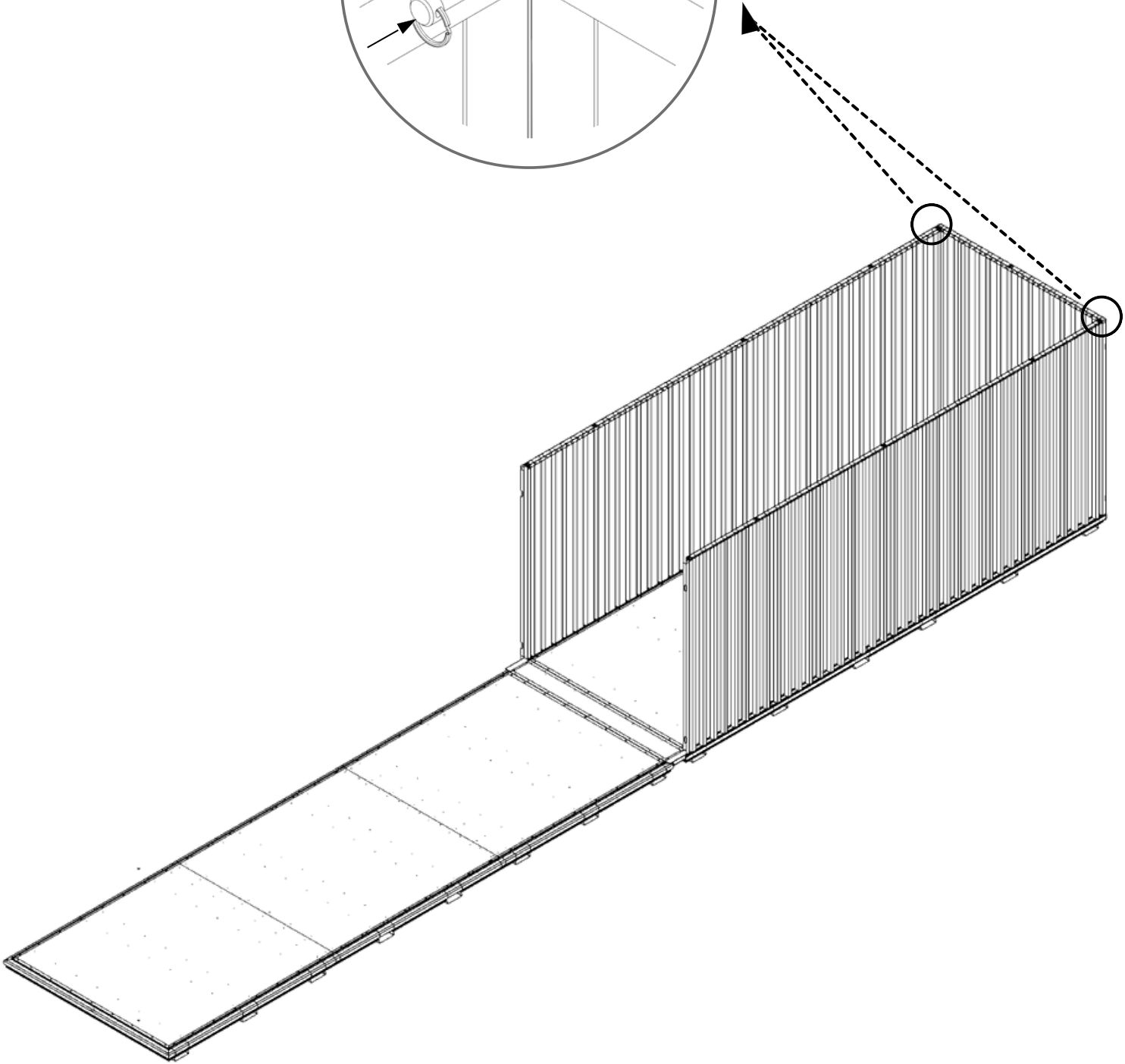
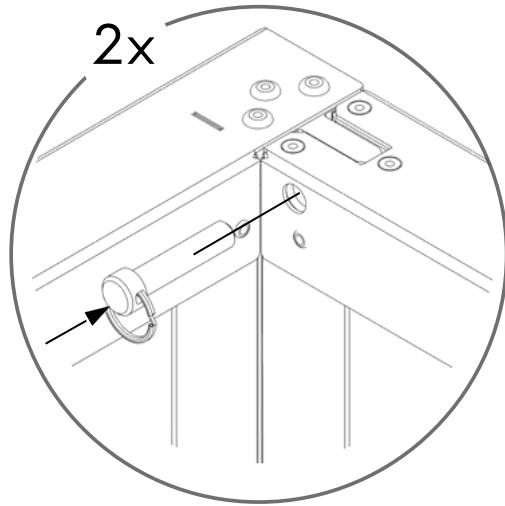
3



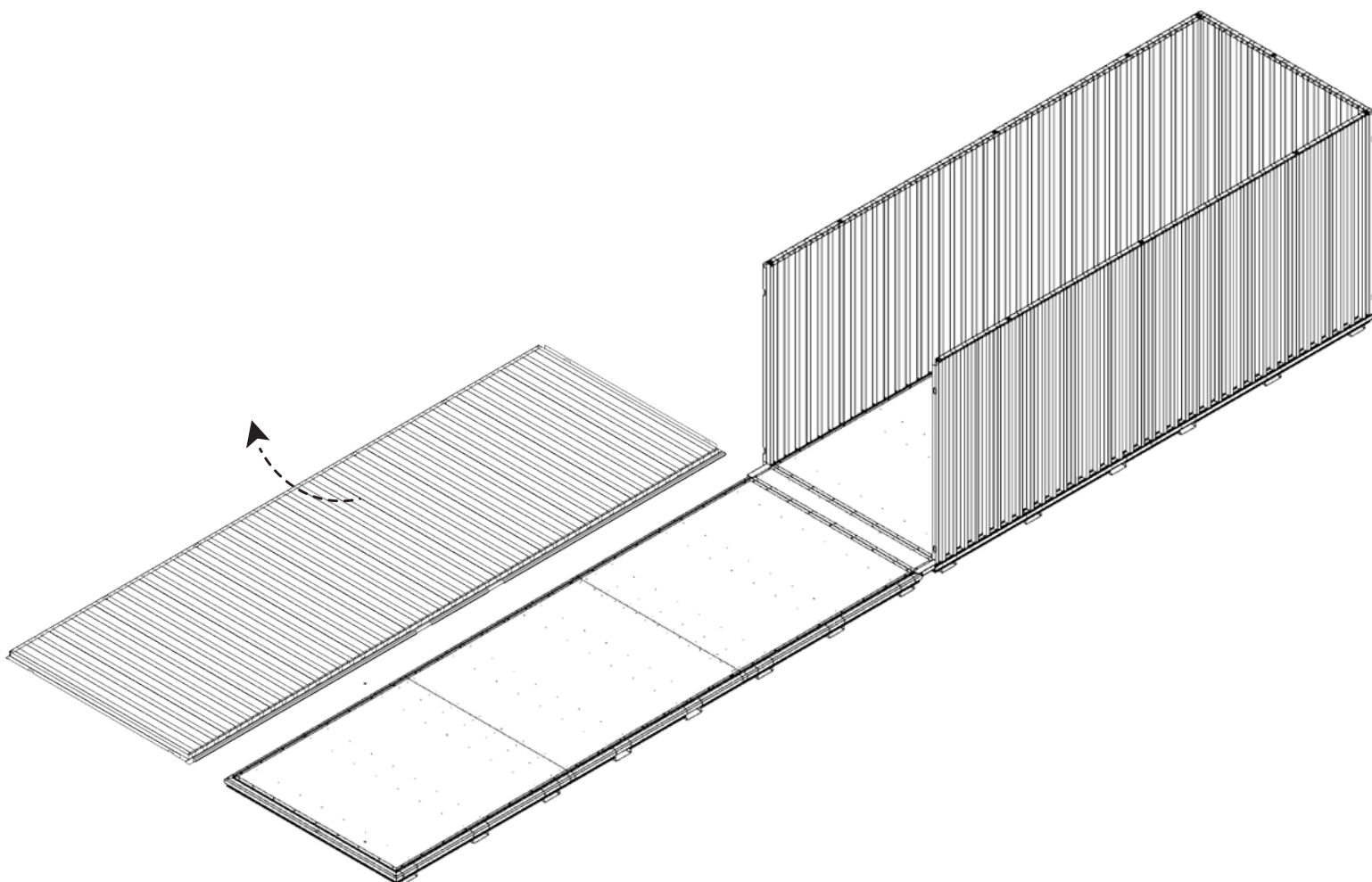
4



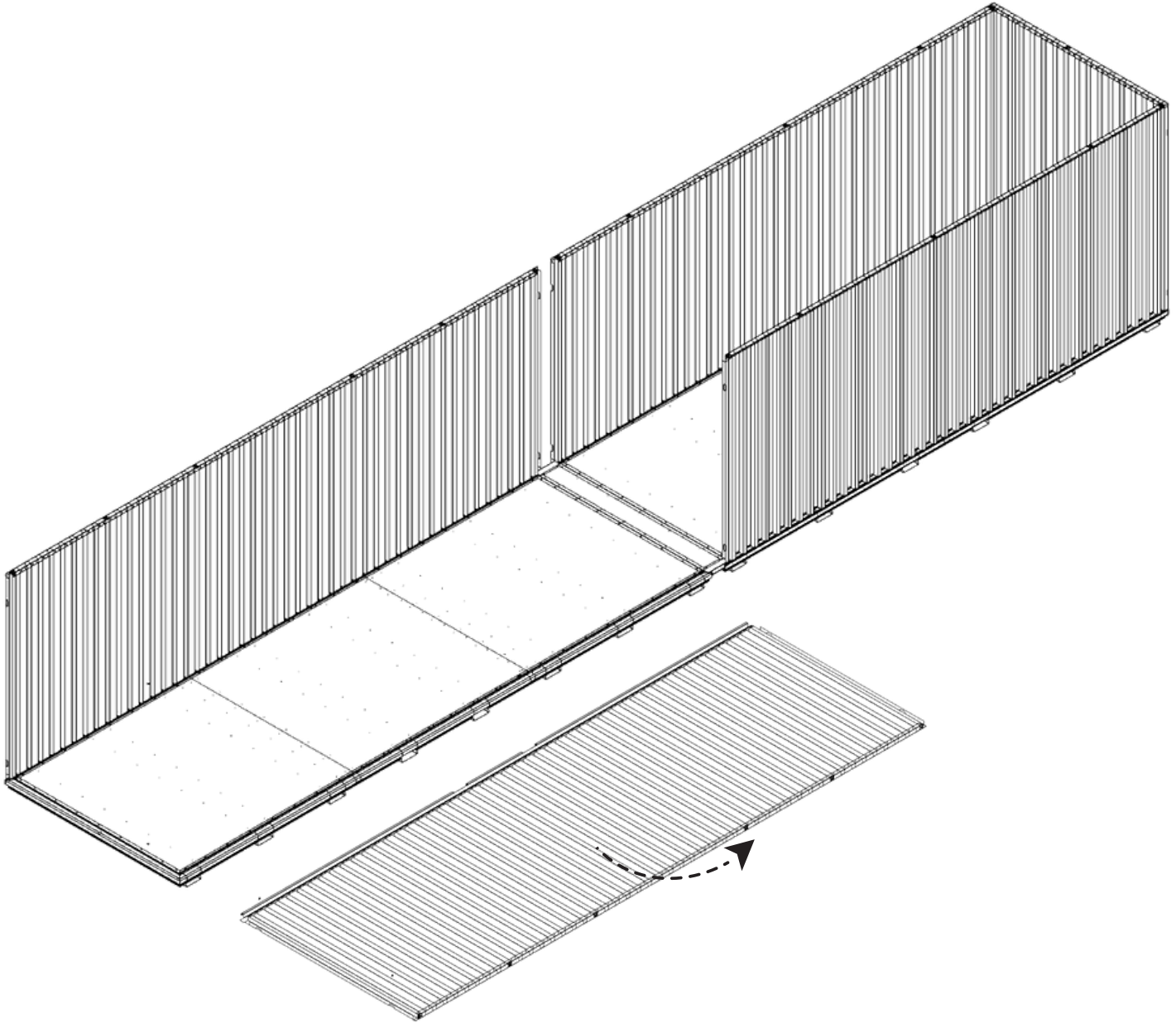
4.1



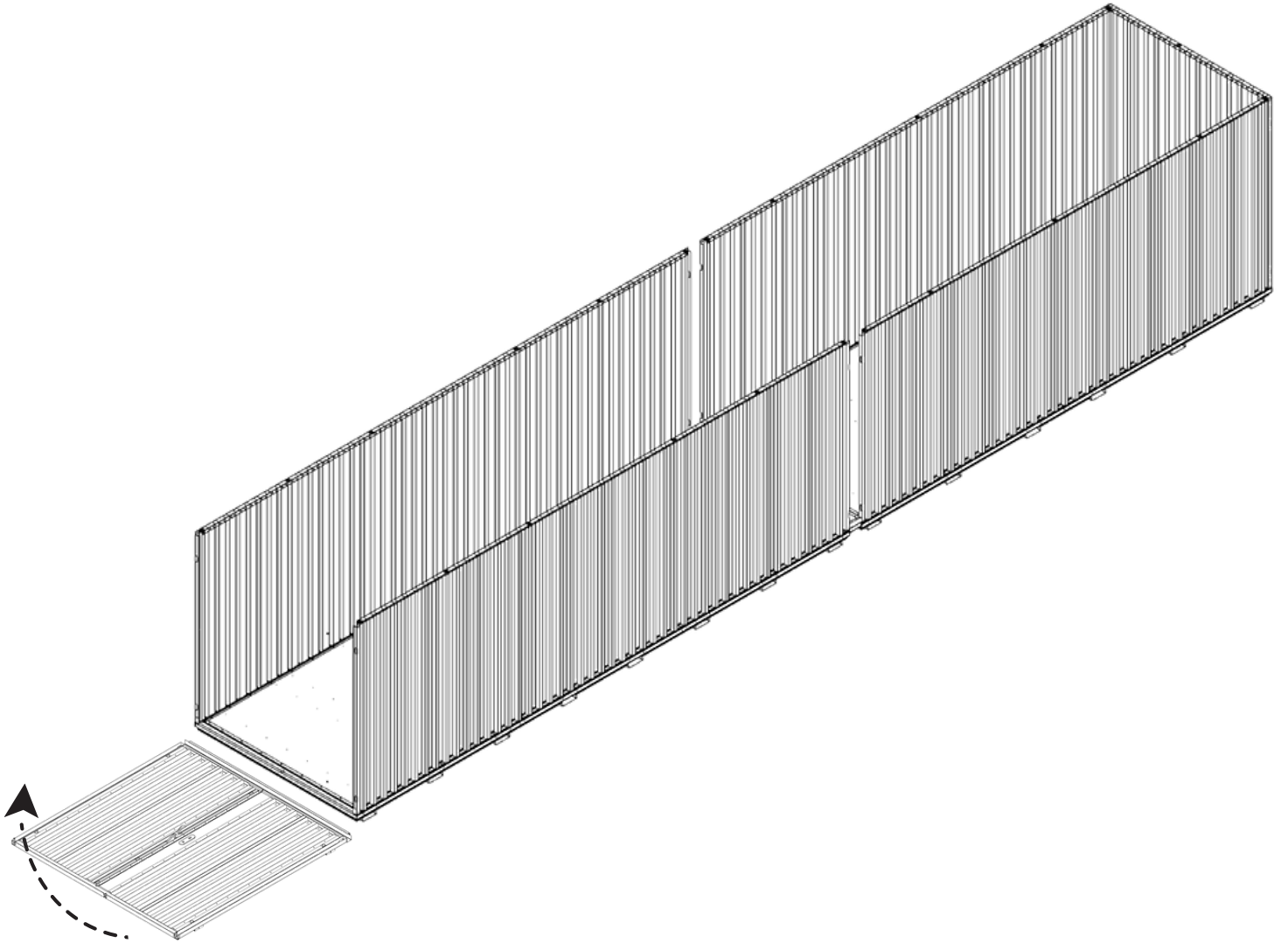
5



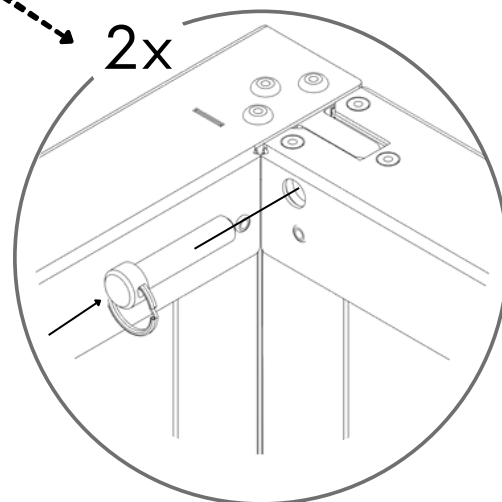
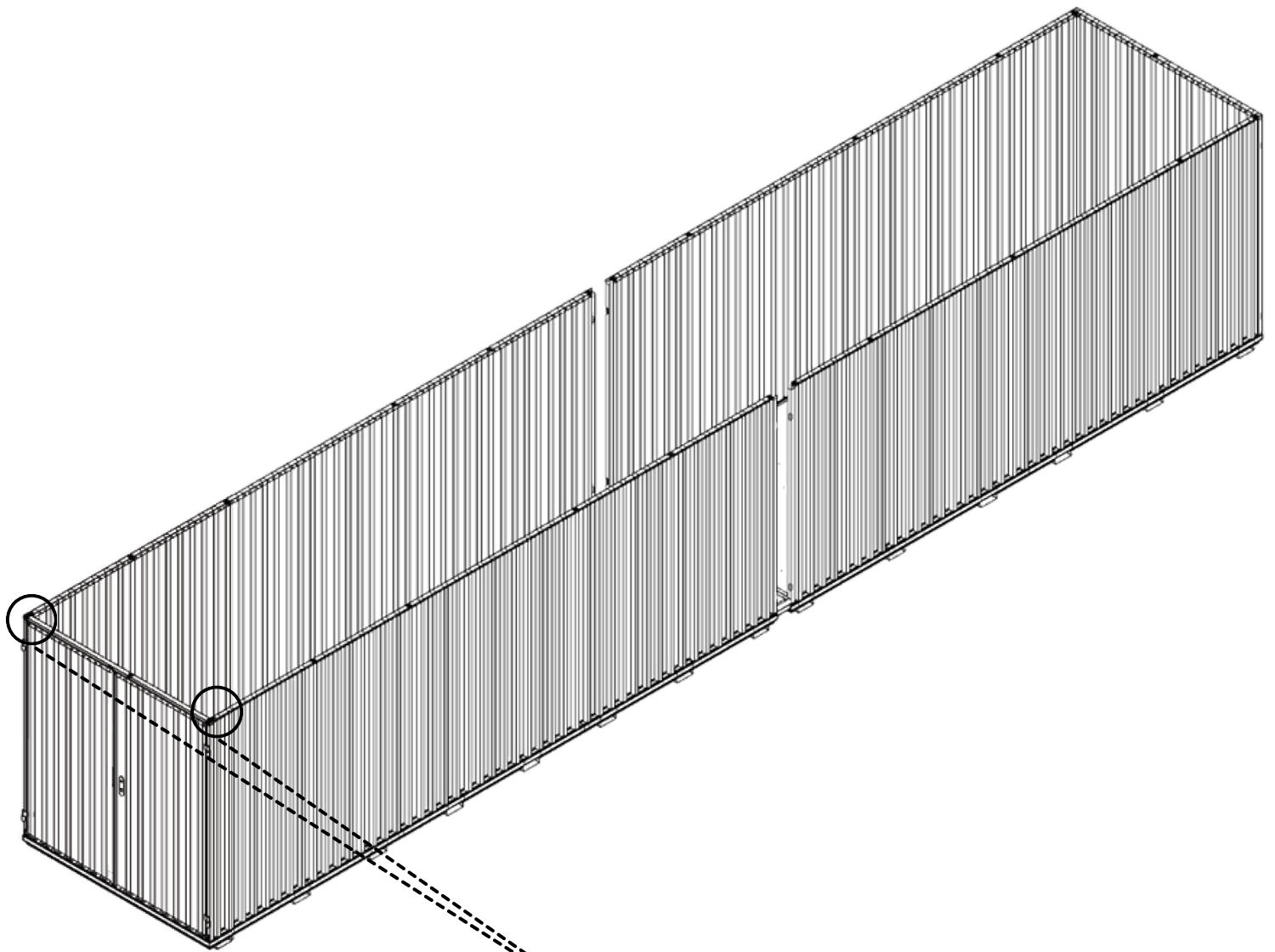
6



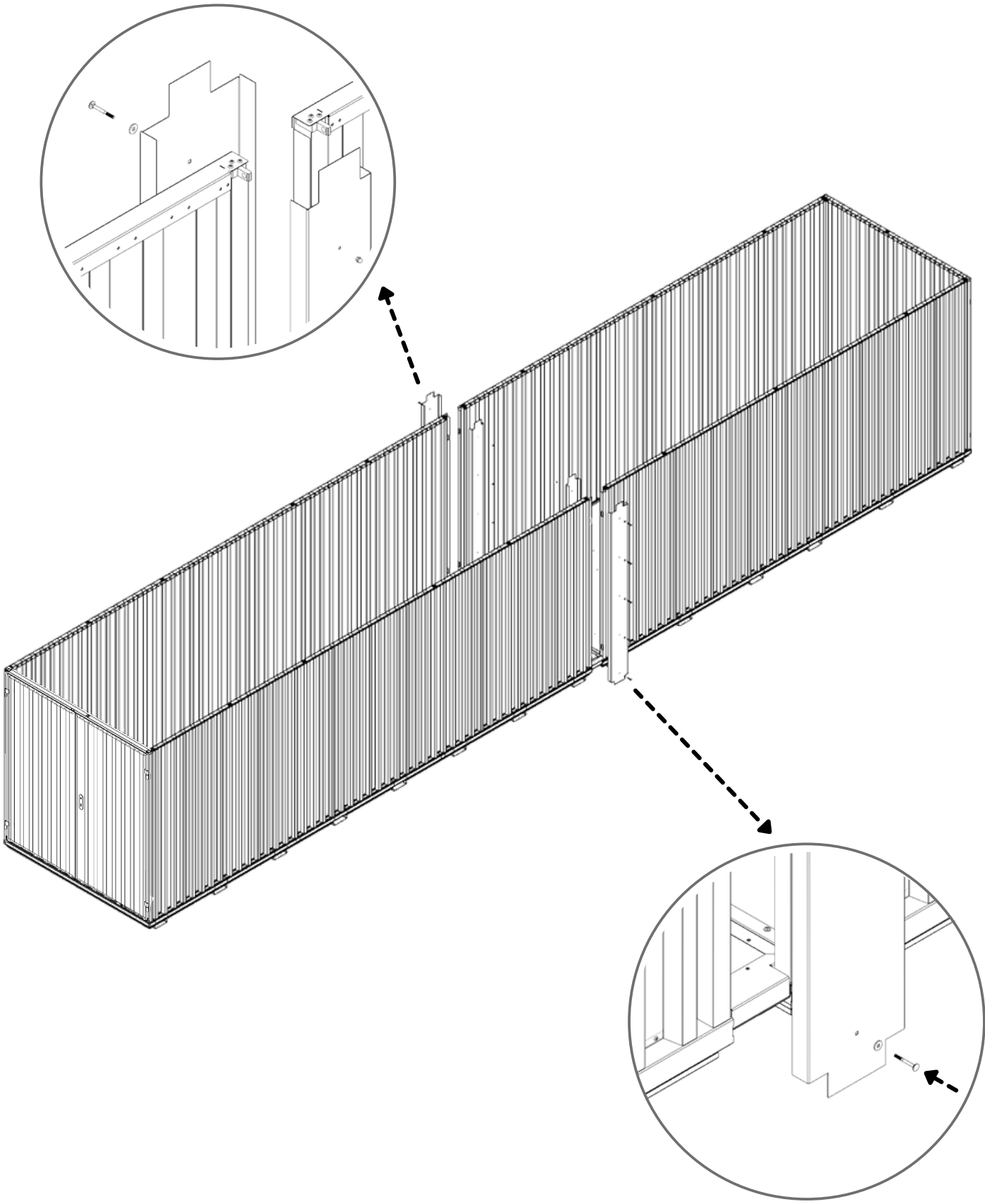
7



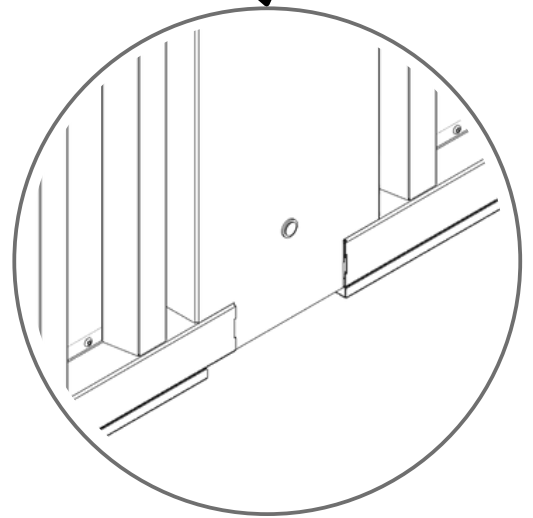
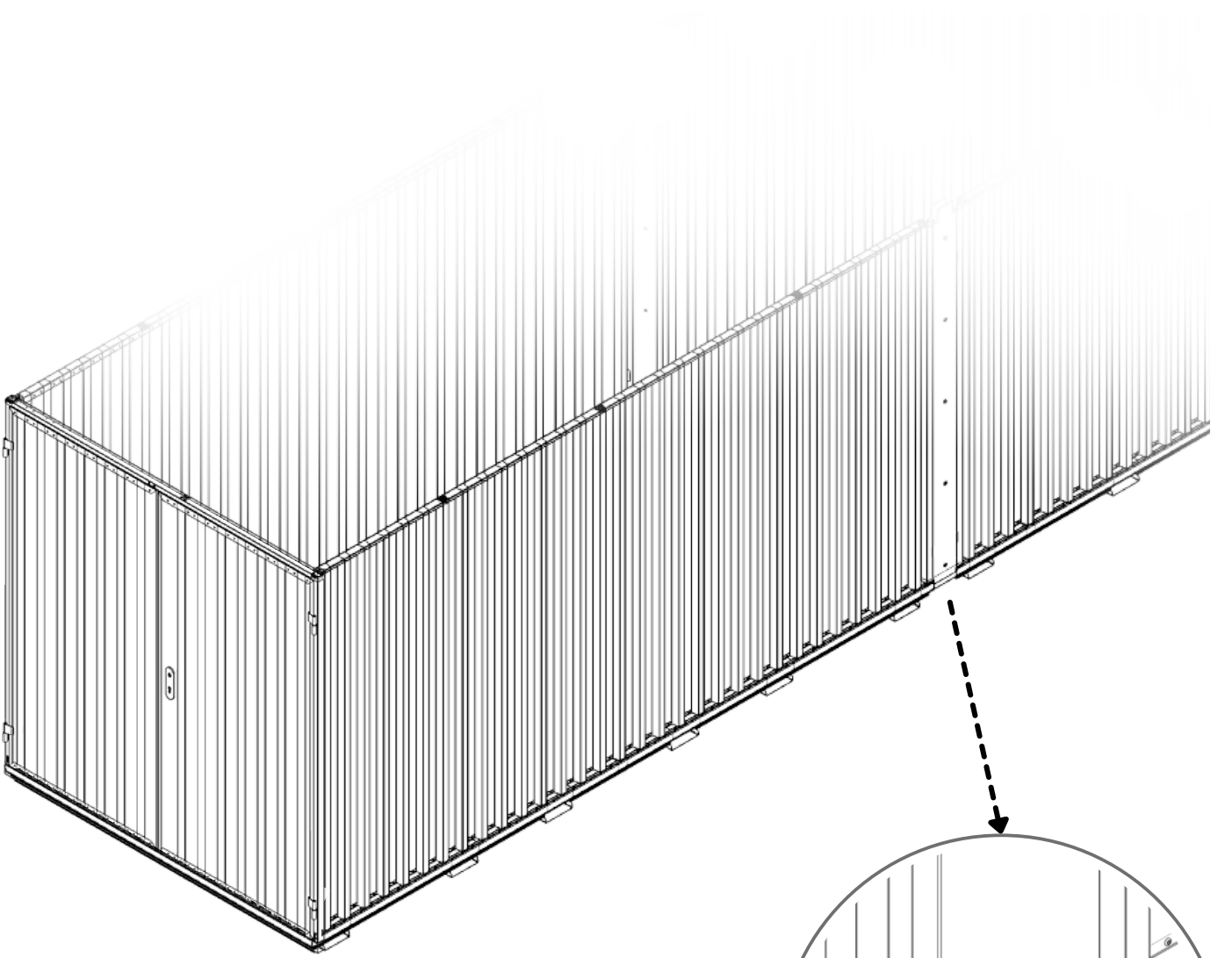
7.1



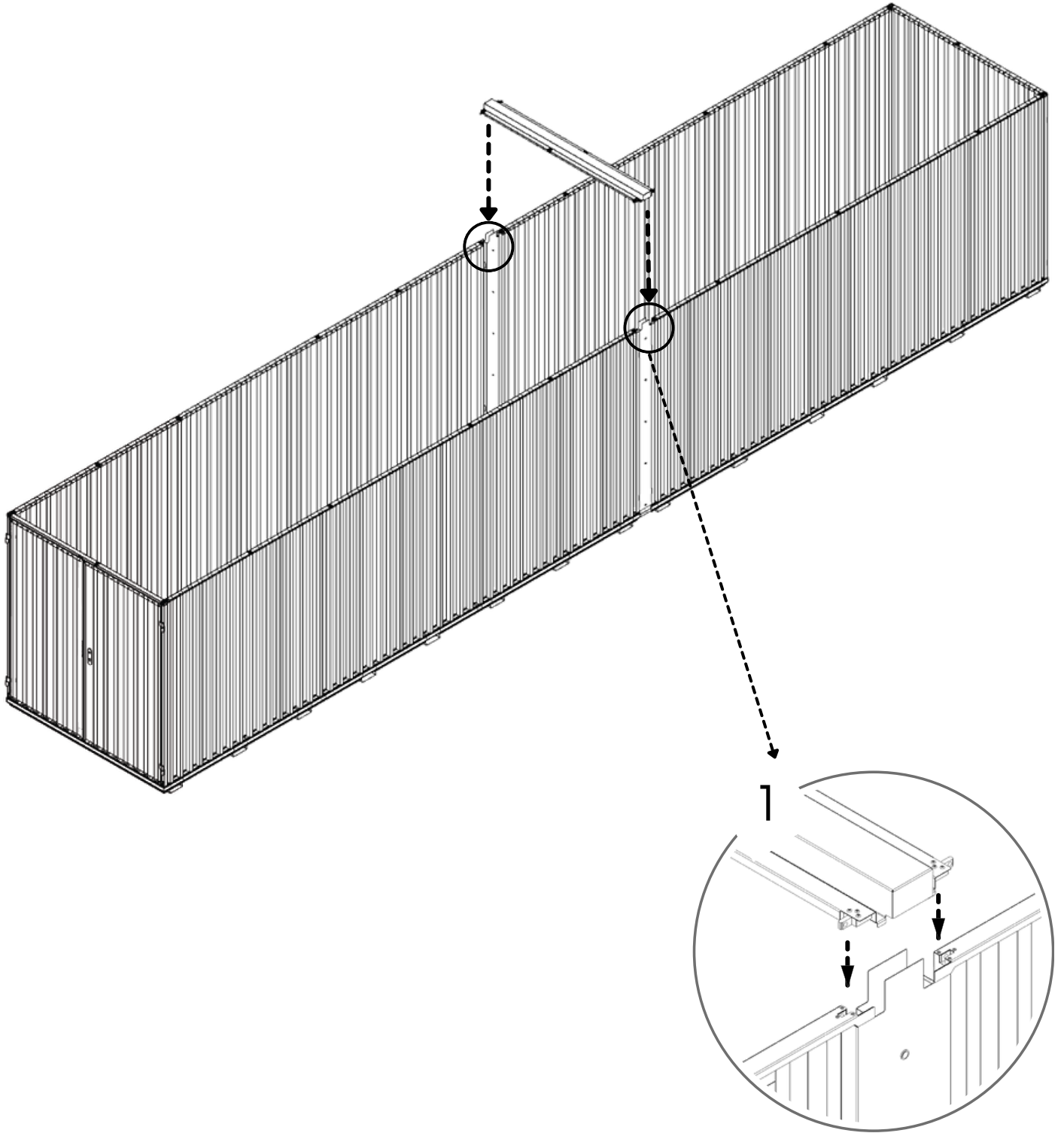
8



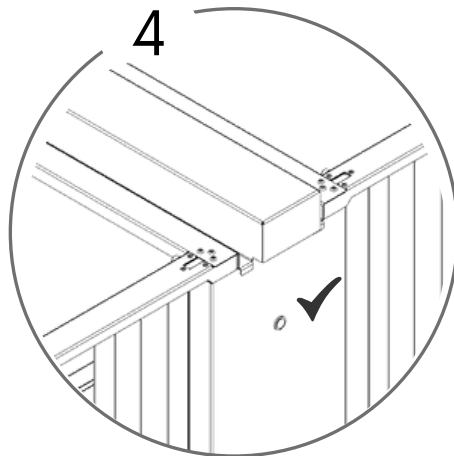
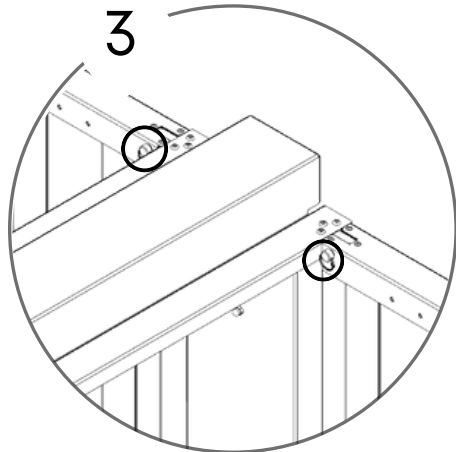
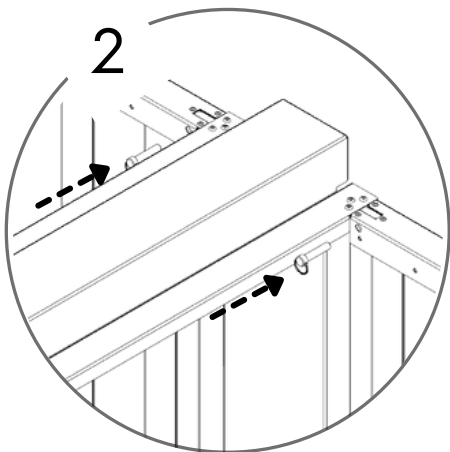
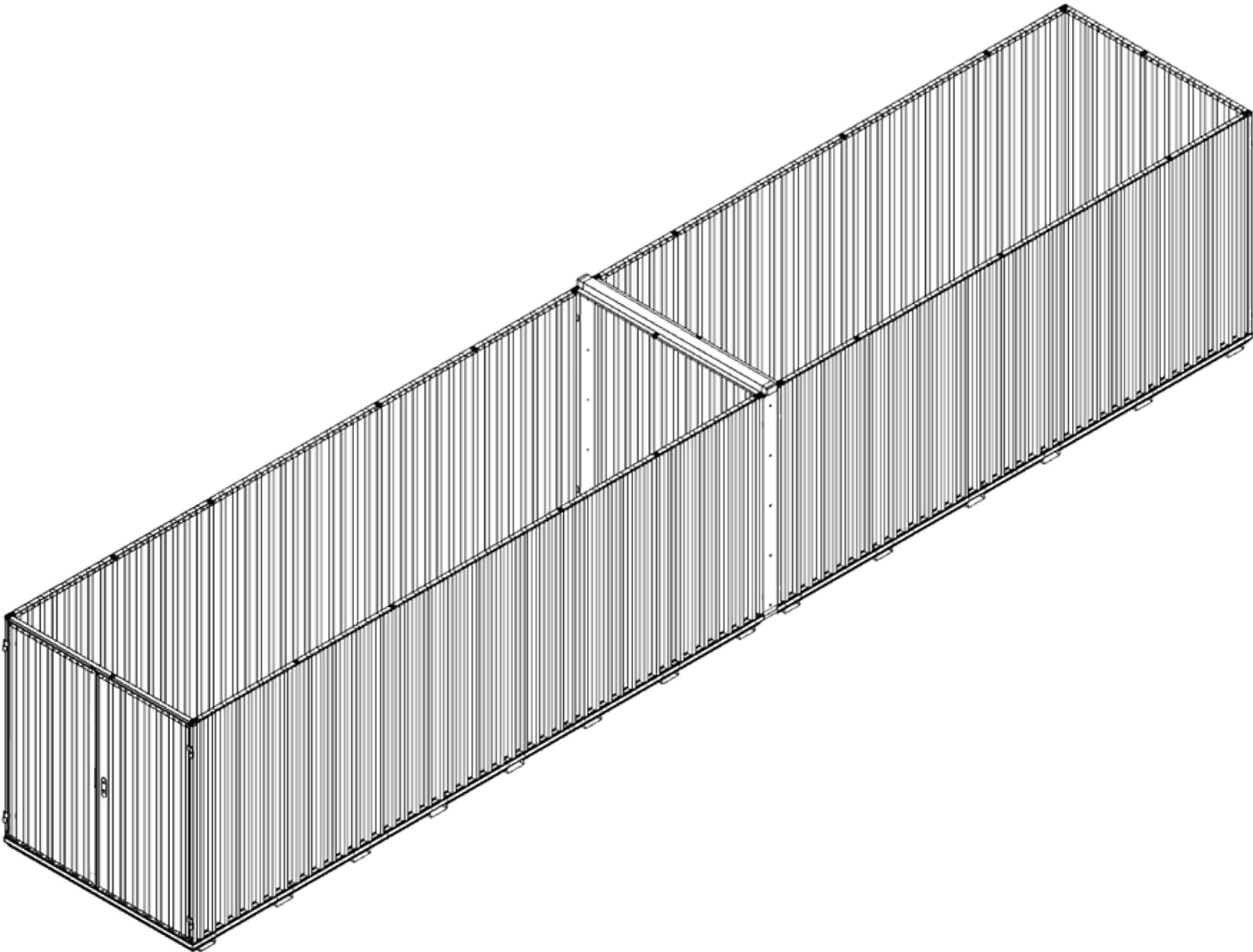
9











10

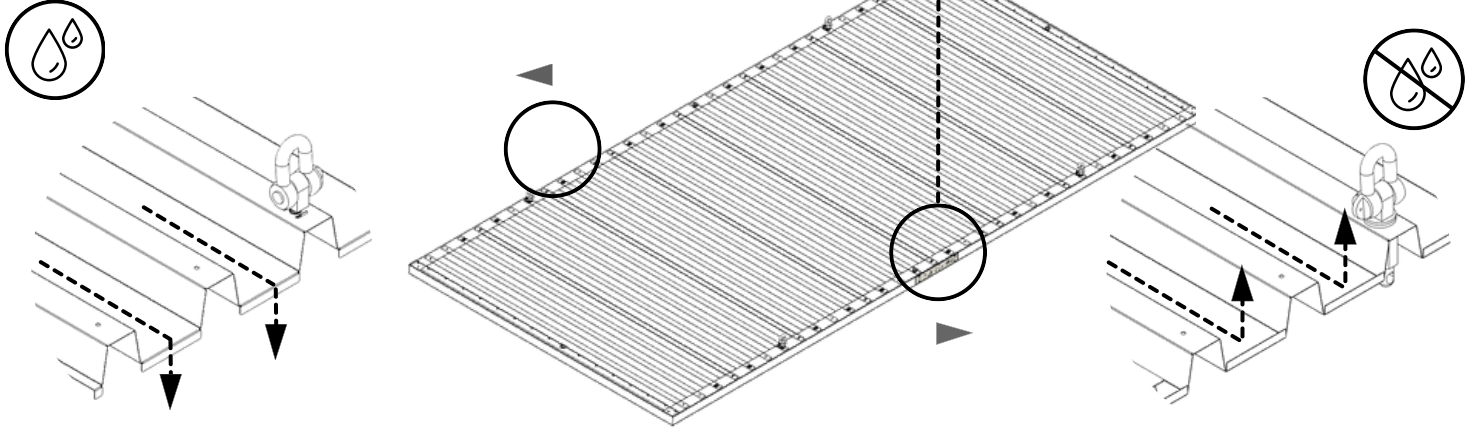


11

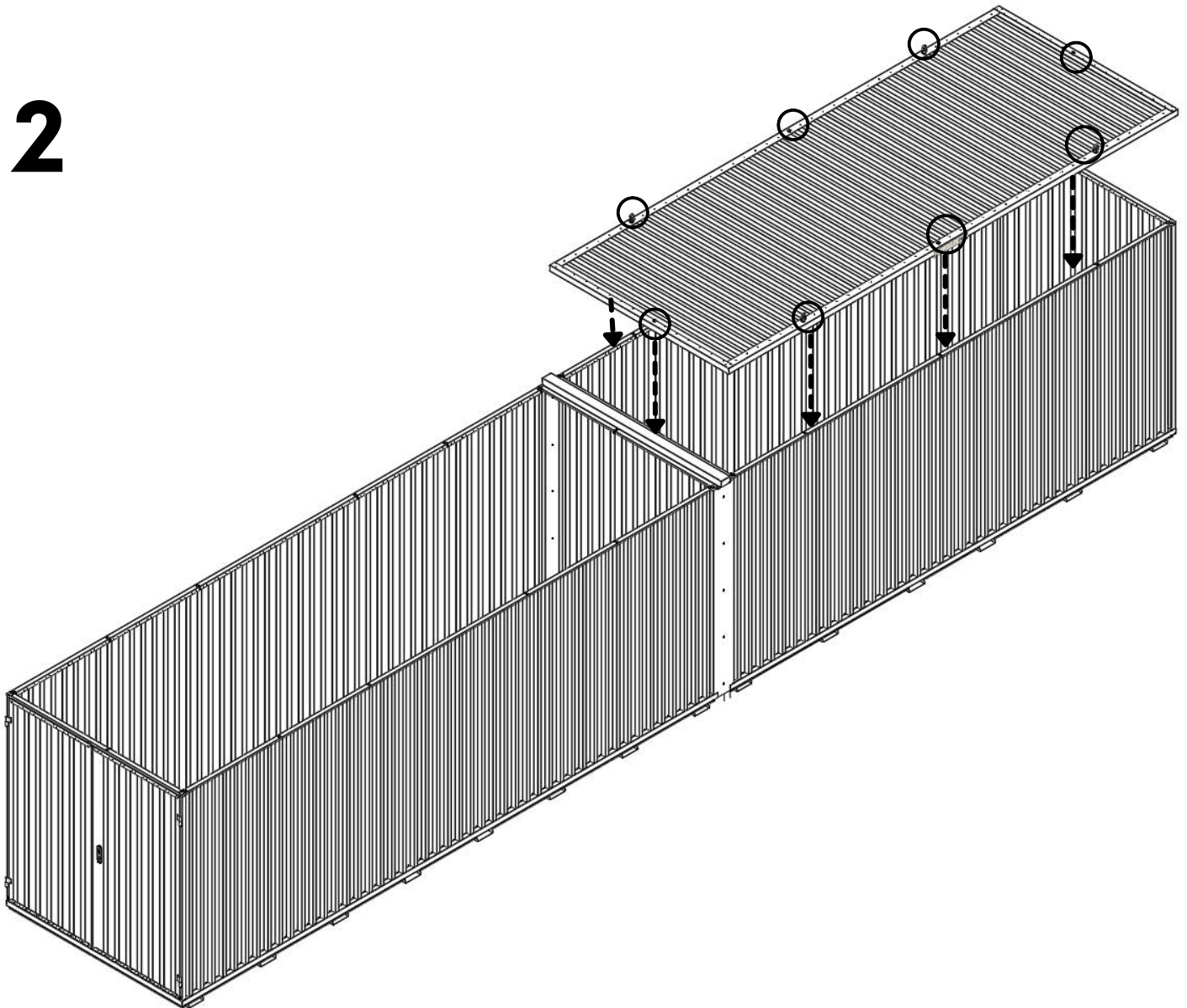




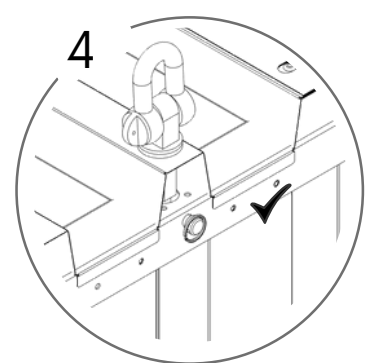
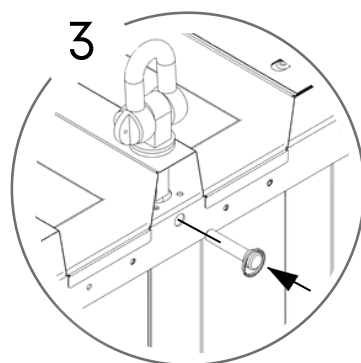
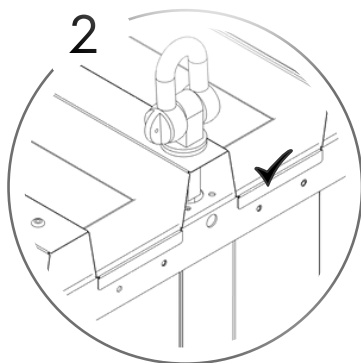
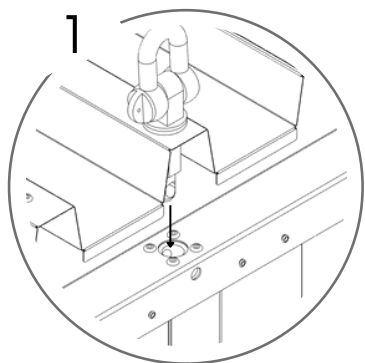
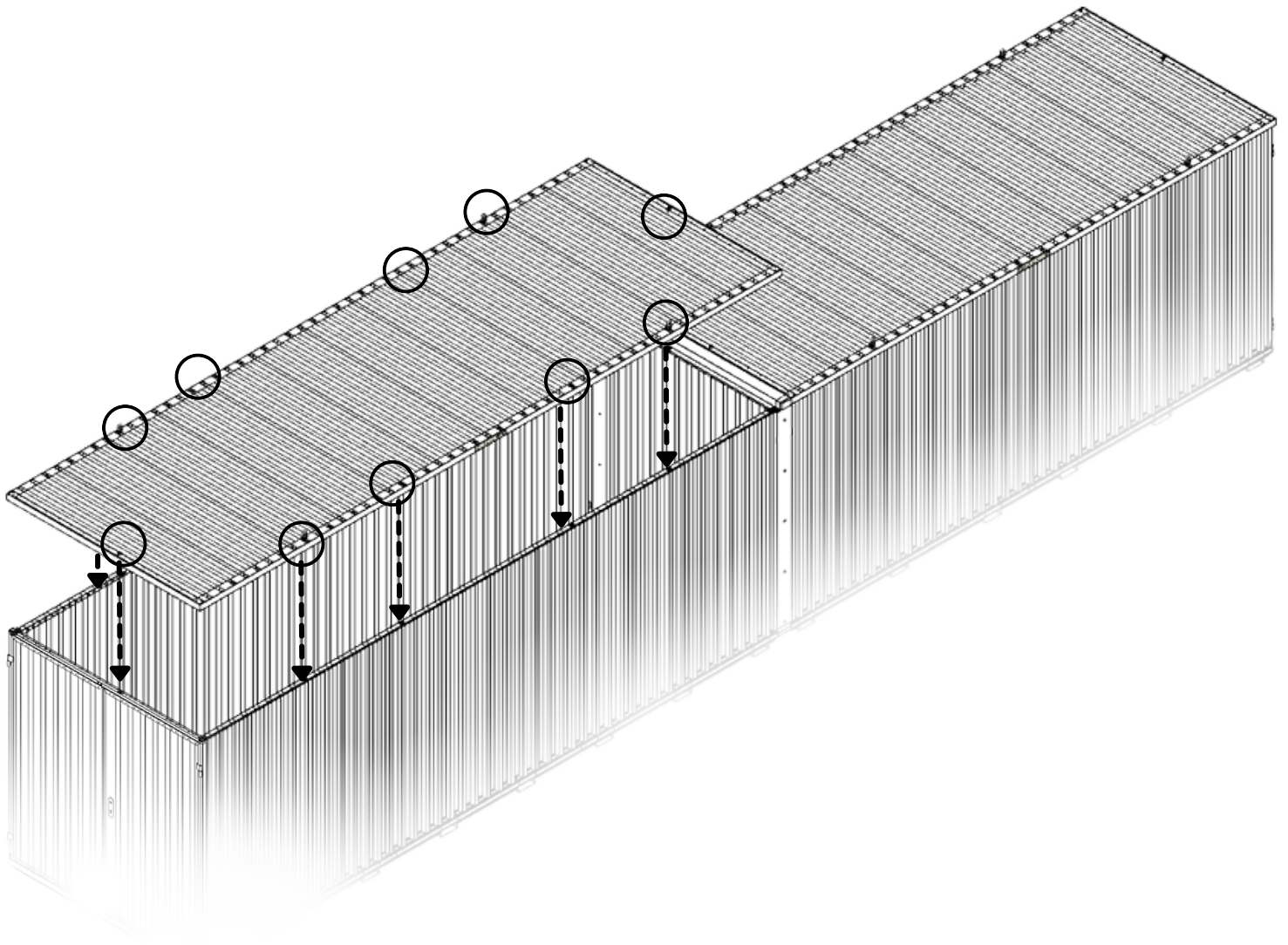
 1033 KG	 1640 MM	Model Code: 6050.110.330 Production Tracking Code:/X09.1.6050.330	  	 	
--	--	---	---	---	---



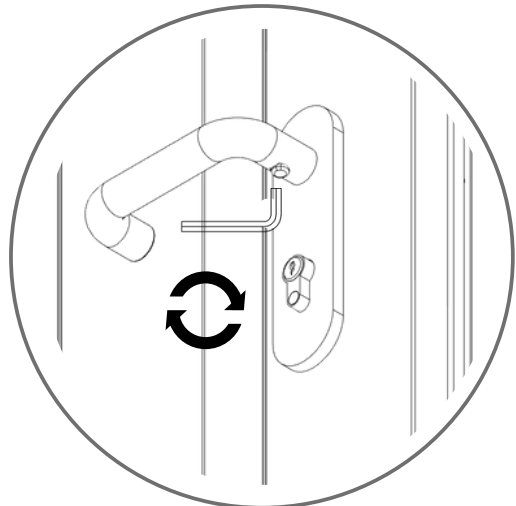
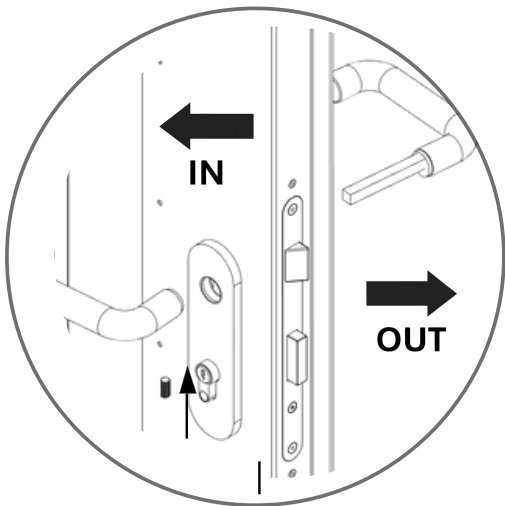
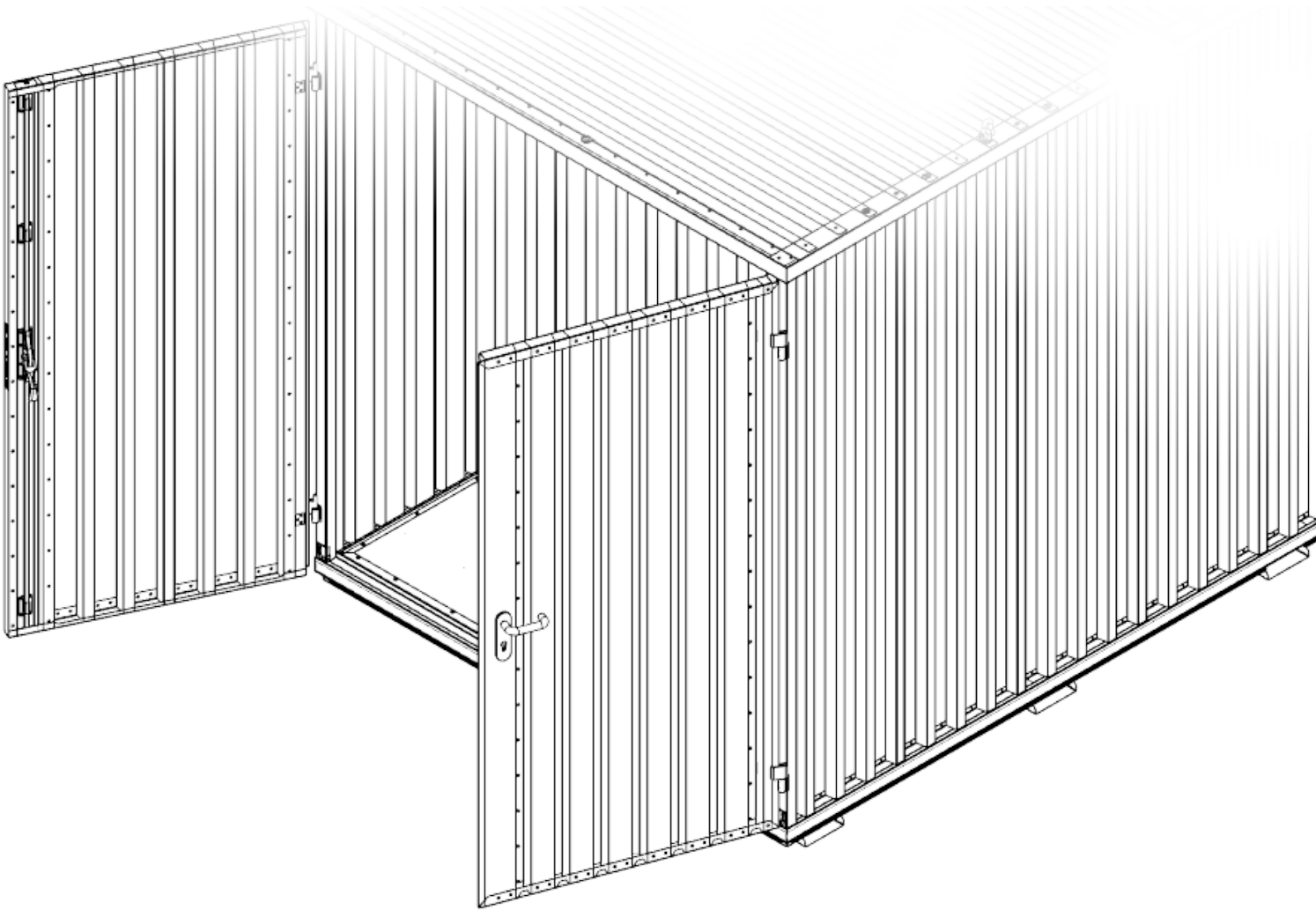
12



13



14



15

