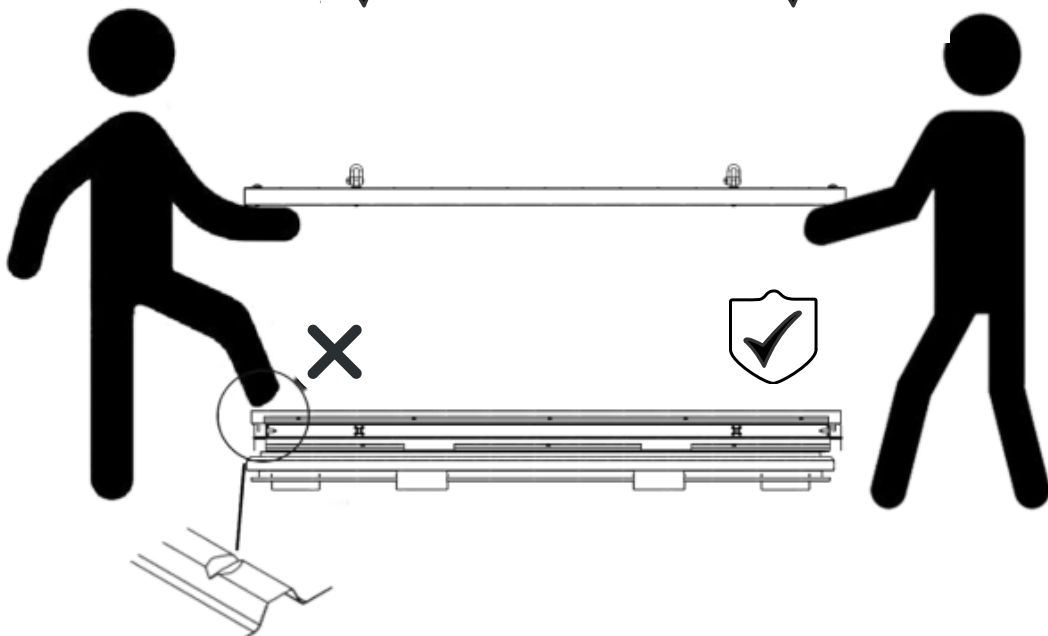
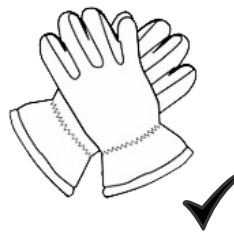


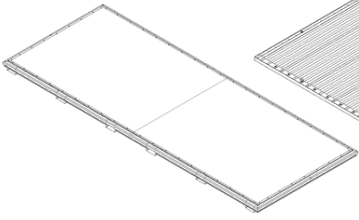
PRODUCT CODE:60.110.420.320

**prefabase**  
Quick Build Solutions

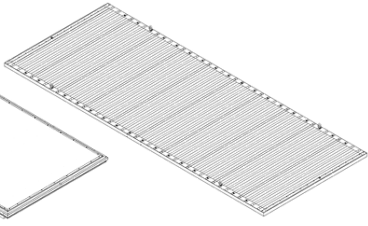
Instructions and User Guide



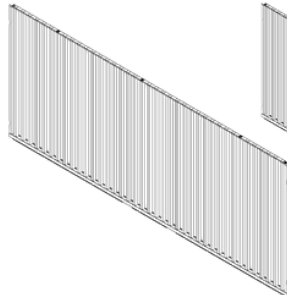
60.0110  
1x



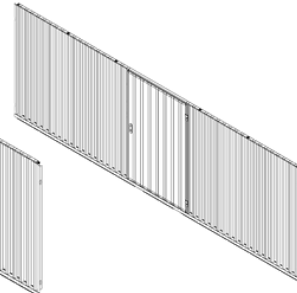
60.0510  
1x



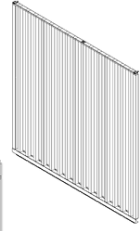
60.0410  
1x



60.0420  
1x



0310  
1x



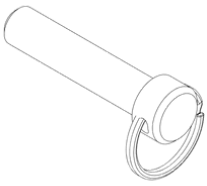
0320  
1x



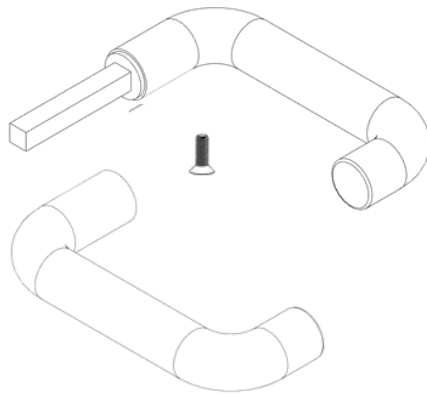
61.101  
4x



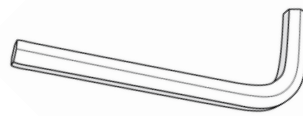
14x



2x



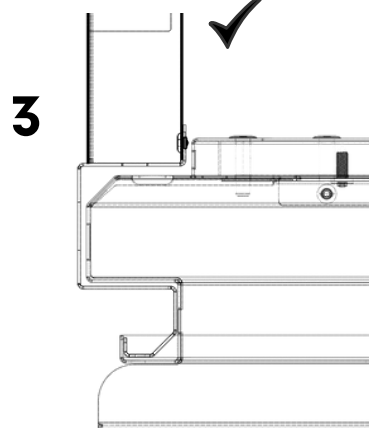
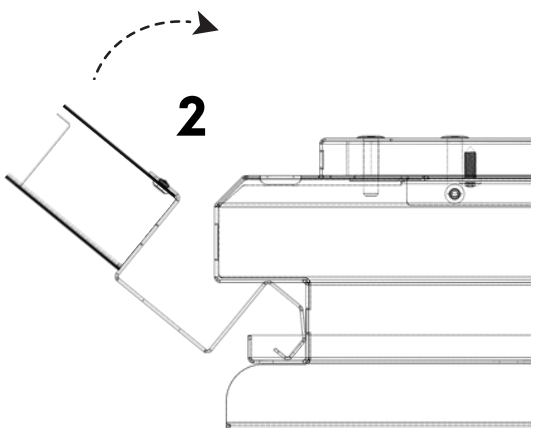
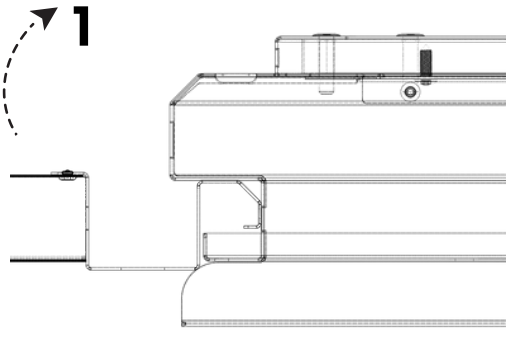
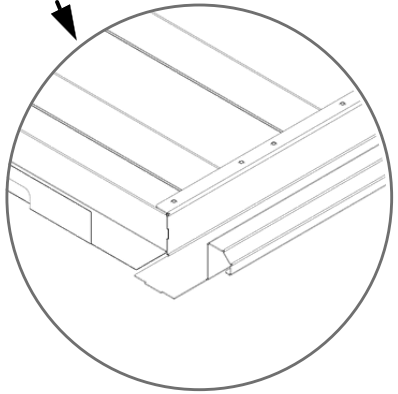
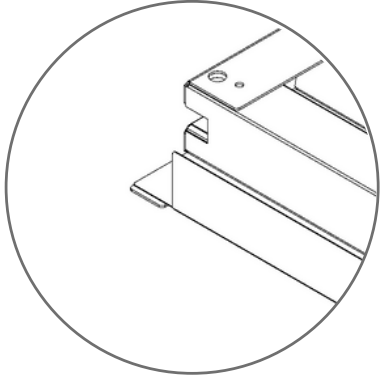
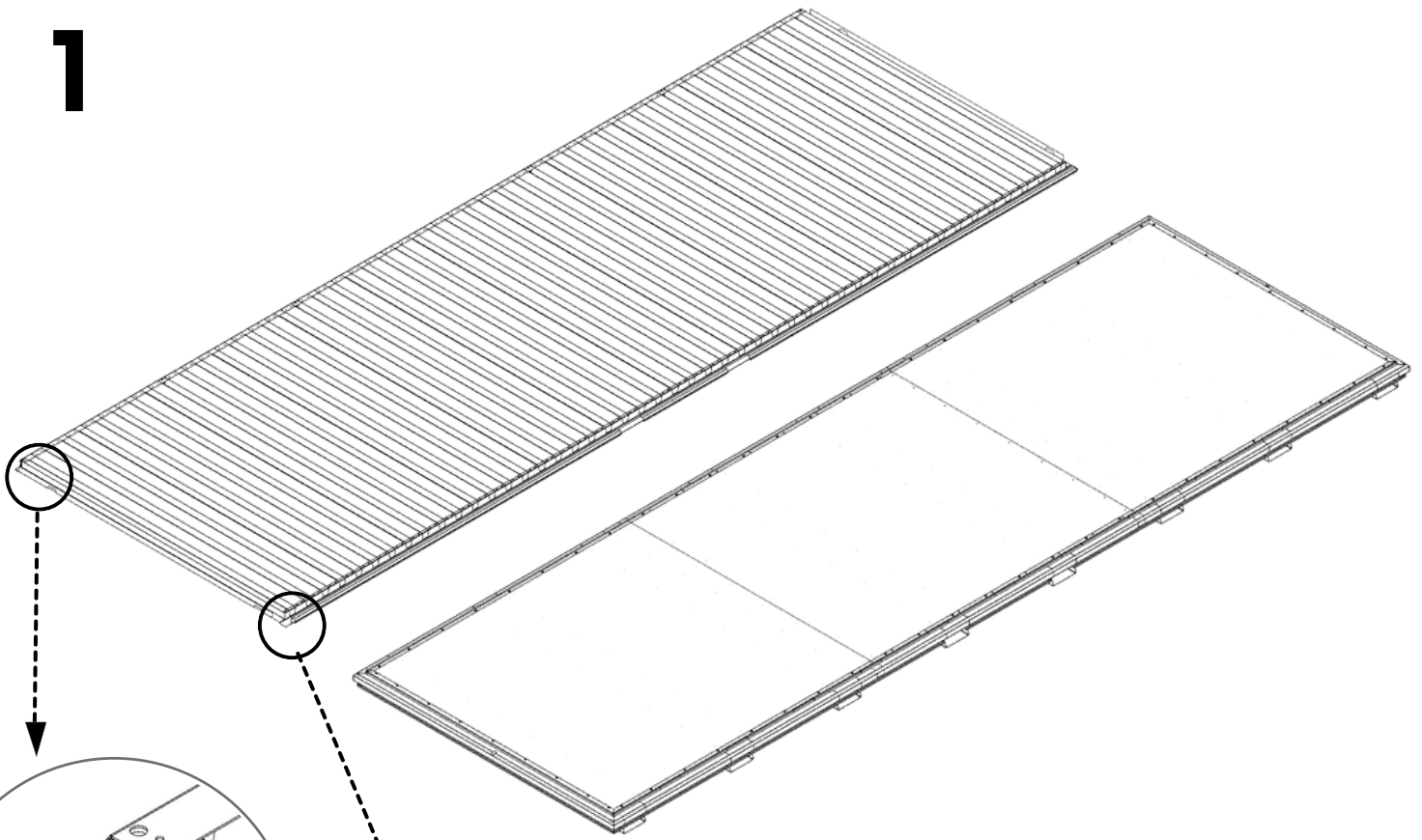
1x



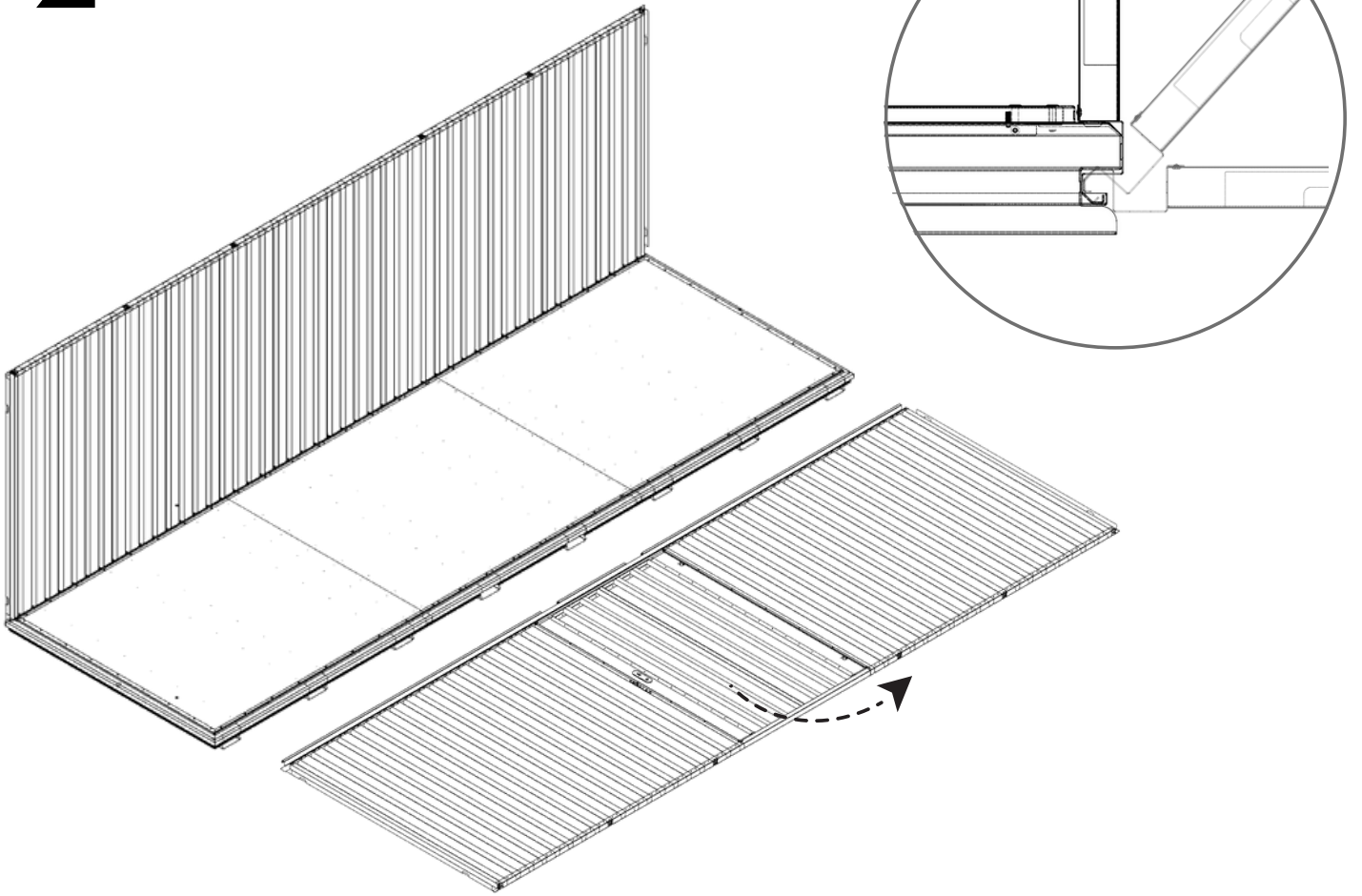
2x



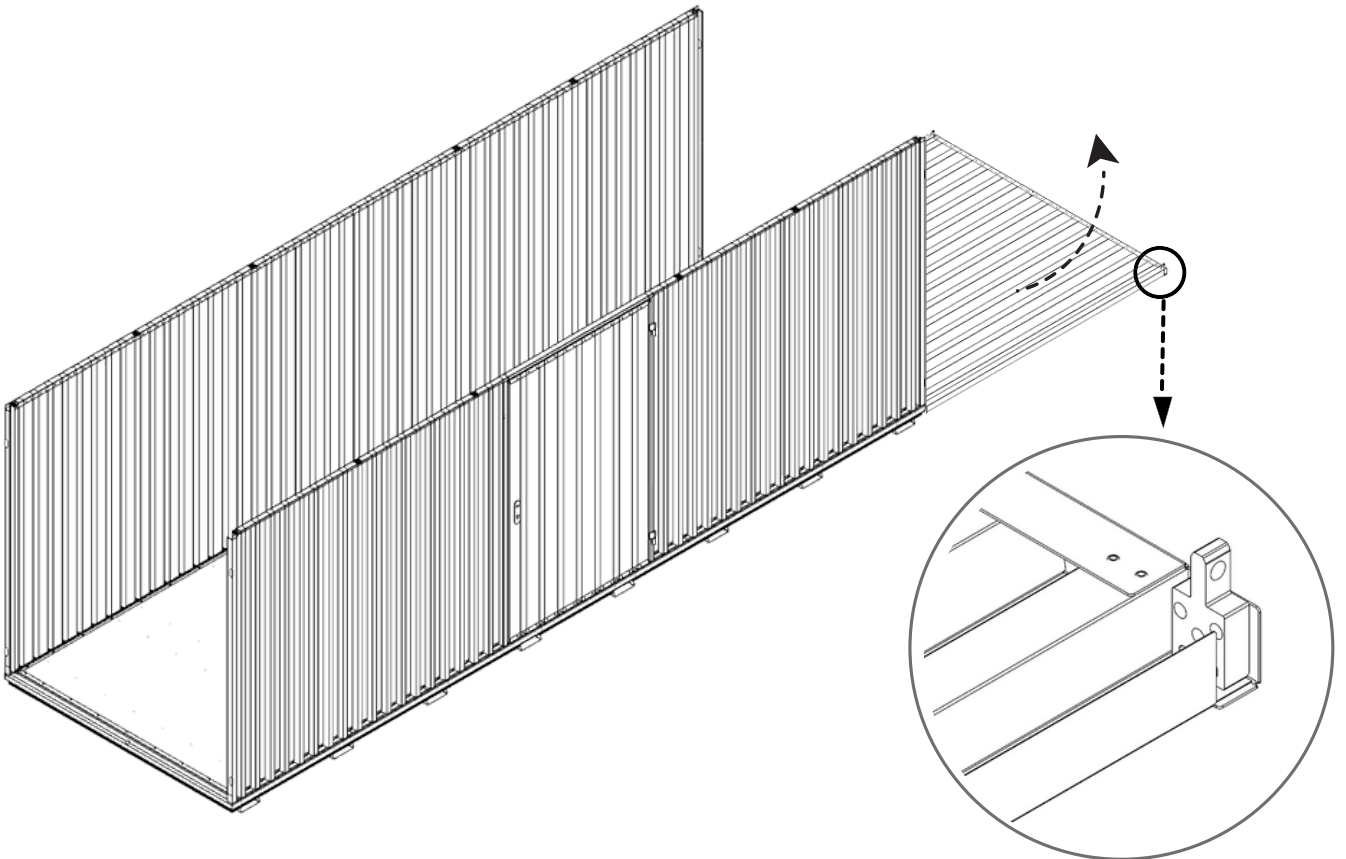
# 1



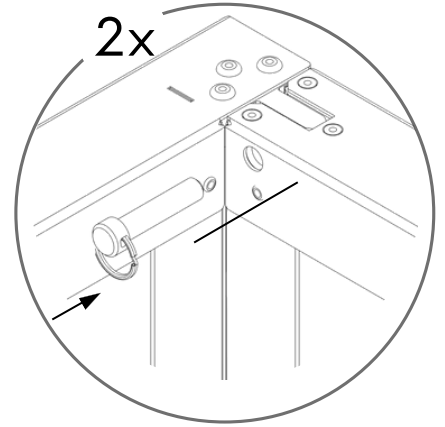
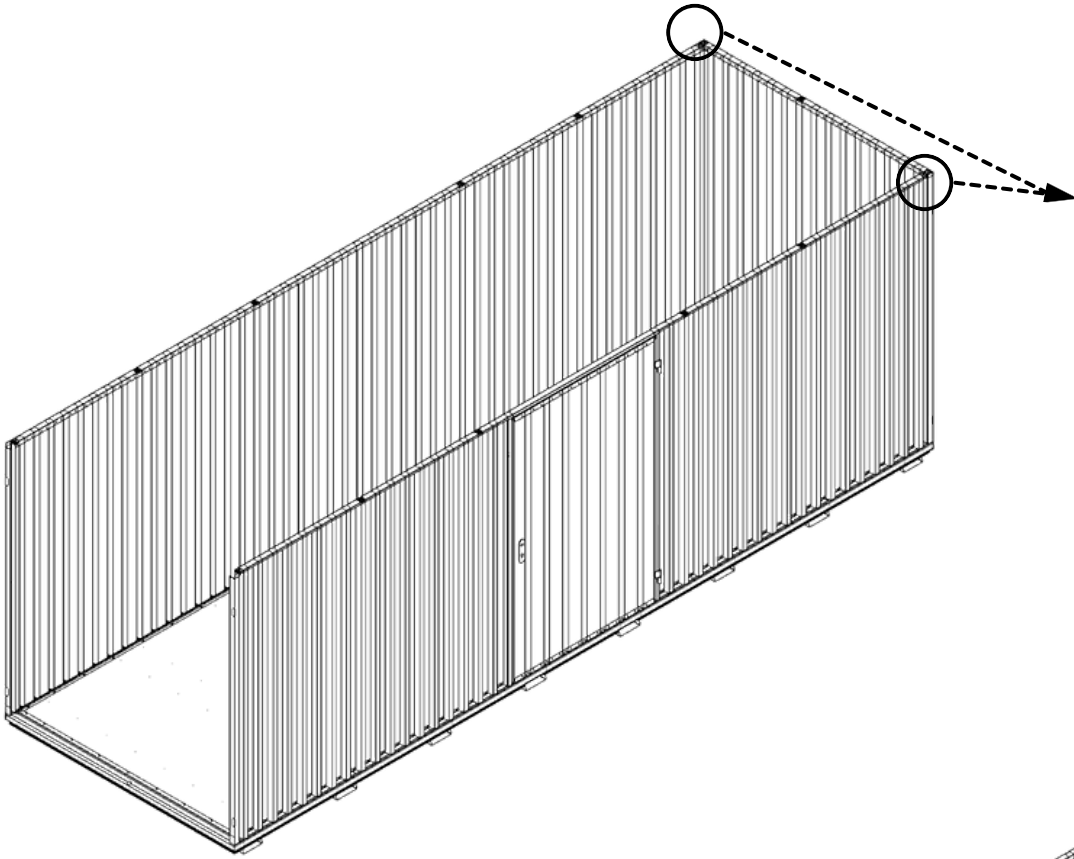
**2**



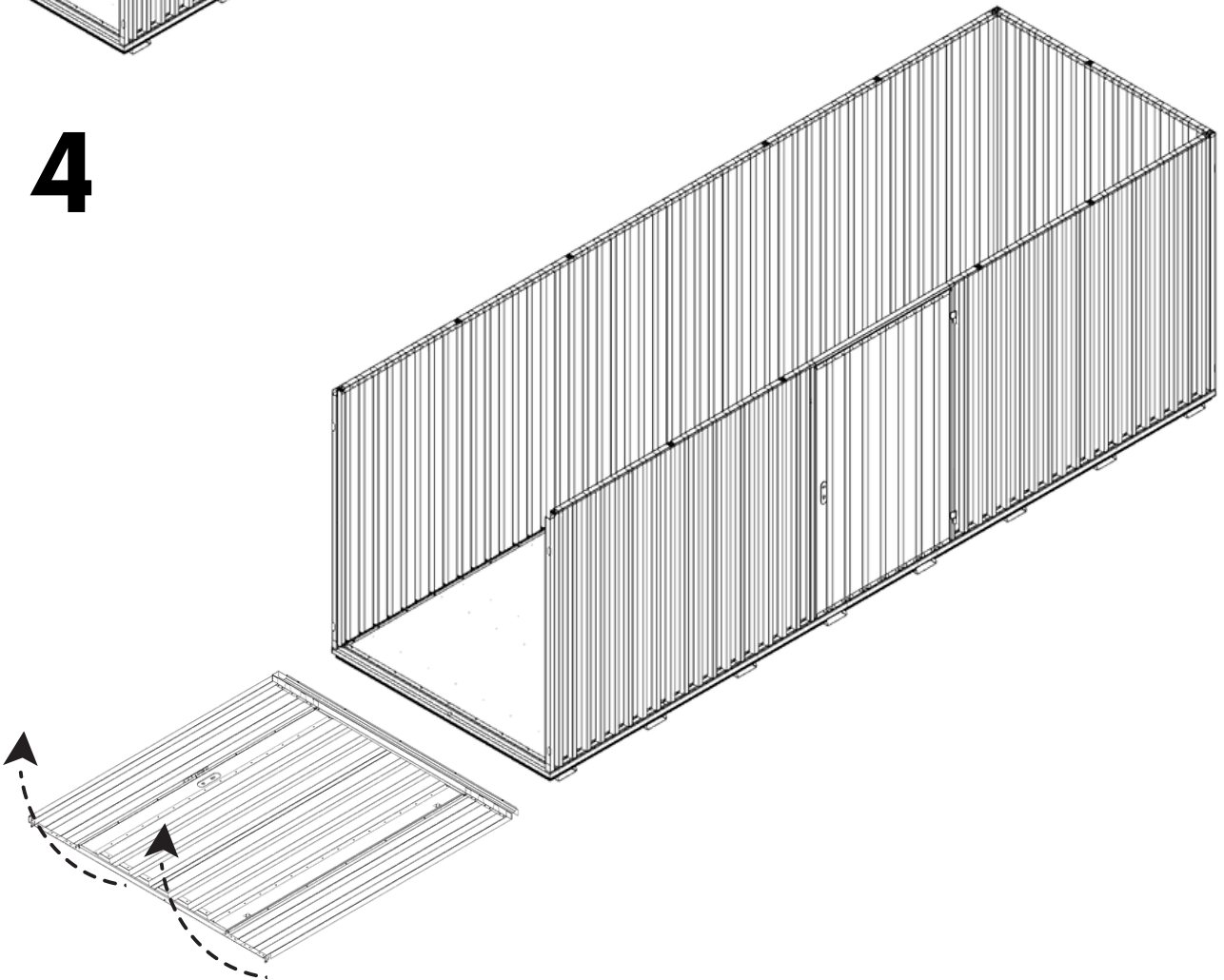
**3**



# 3.1

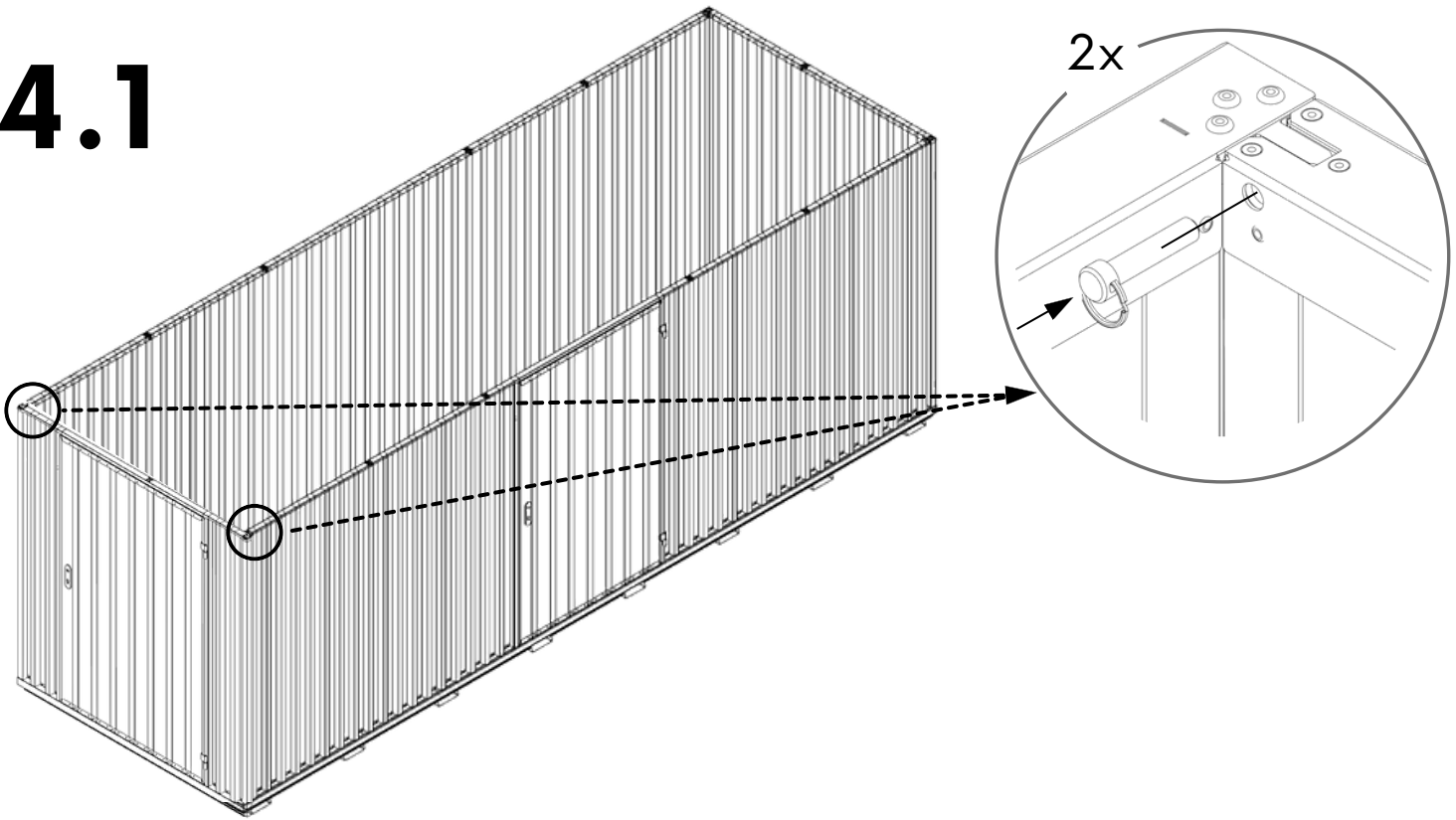










# 4

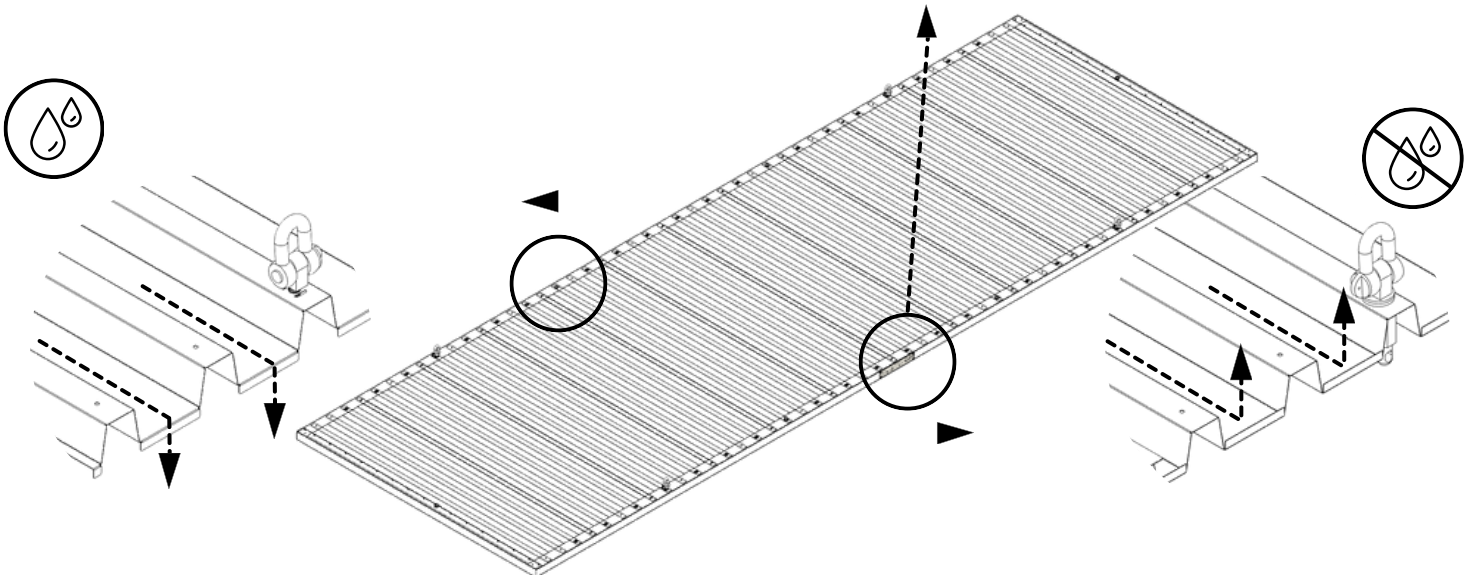




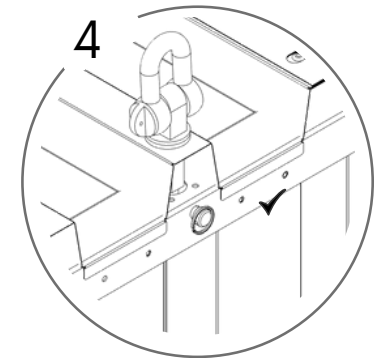
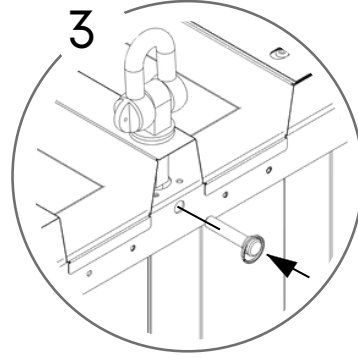
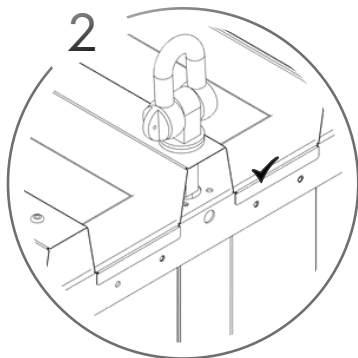
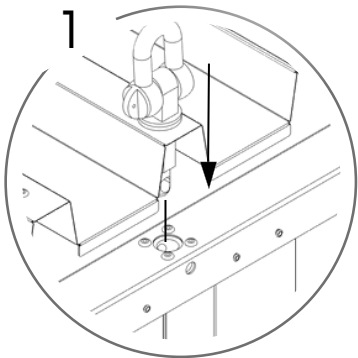
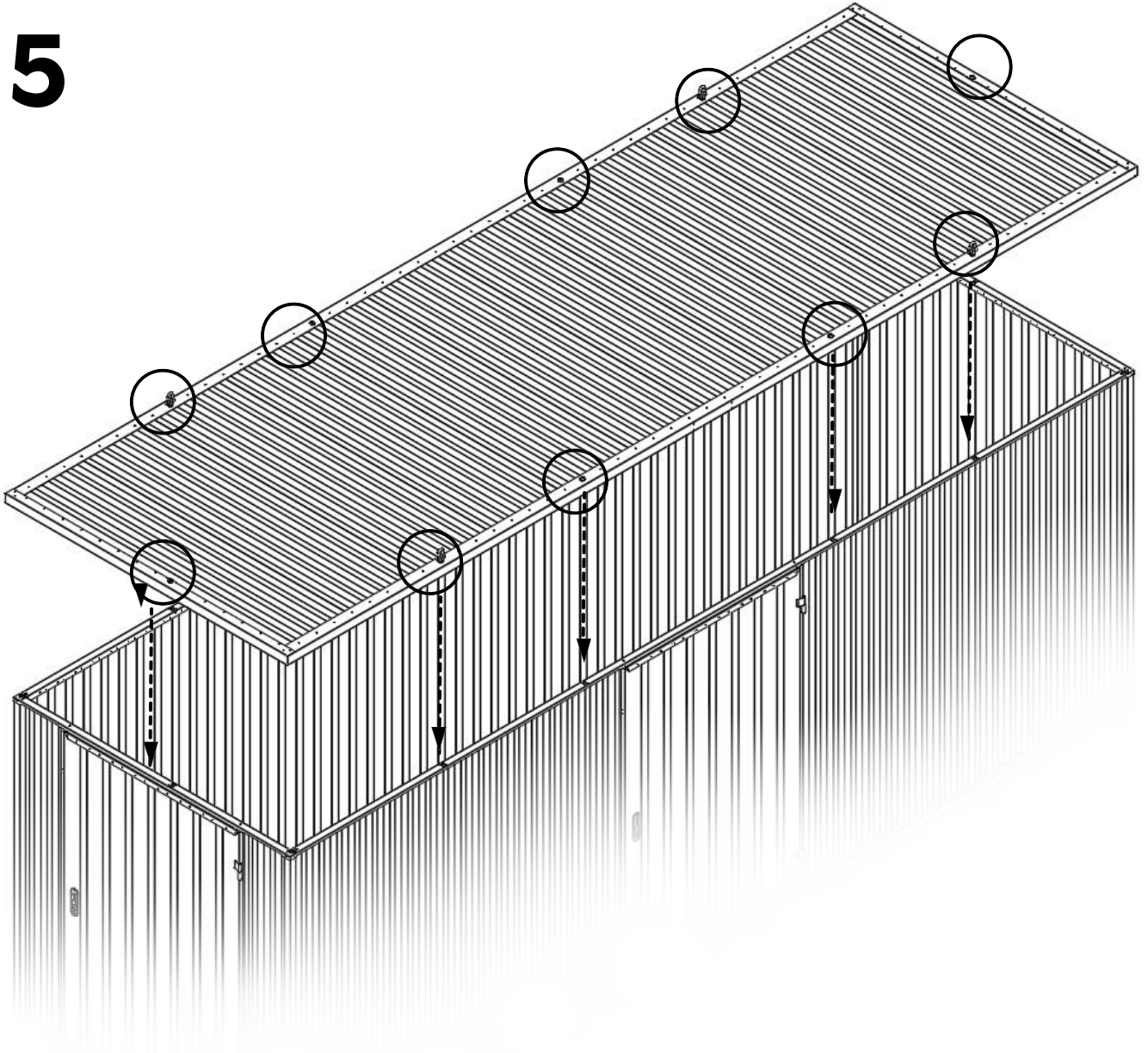
# 4.1



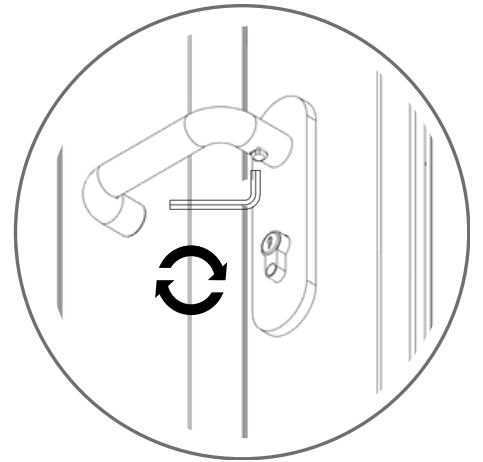
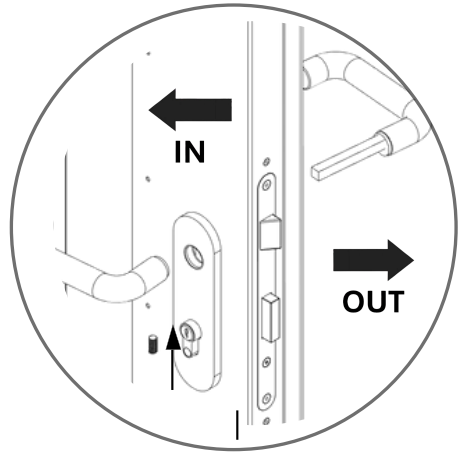
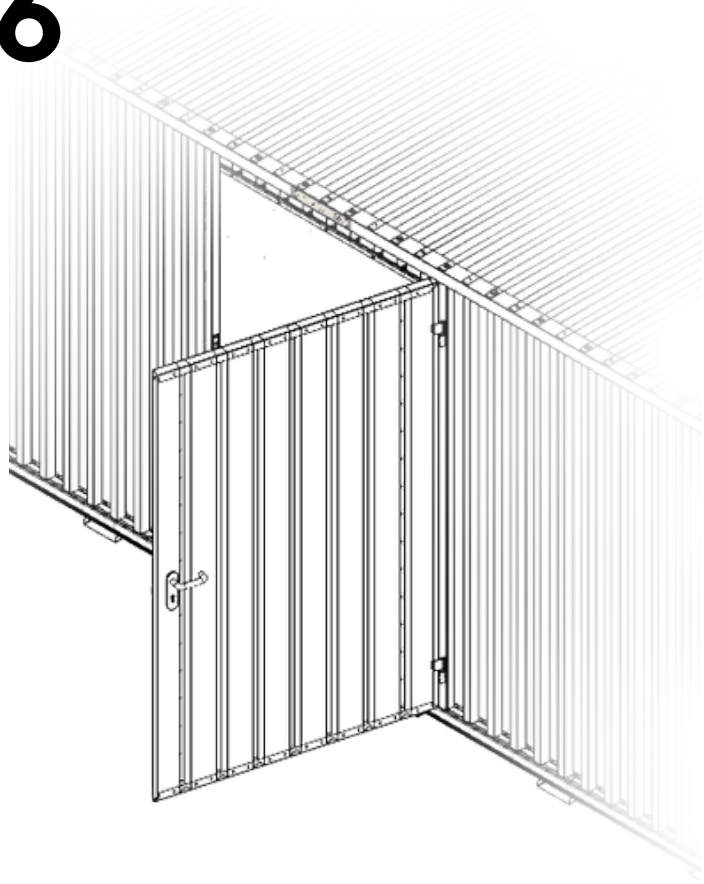
 595 KG	 1640 MM	Model Code: 60.110.420.320 Production Tracking Code: ...../X09.1.60.420.320    9001      14001      50001	 	
---	--	--	---	---



# 5



6



7

