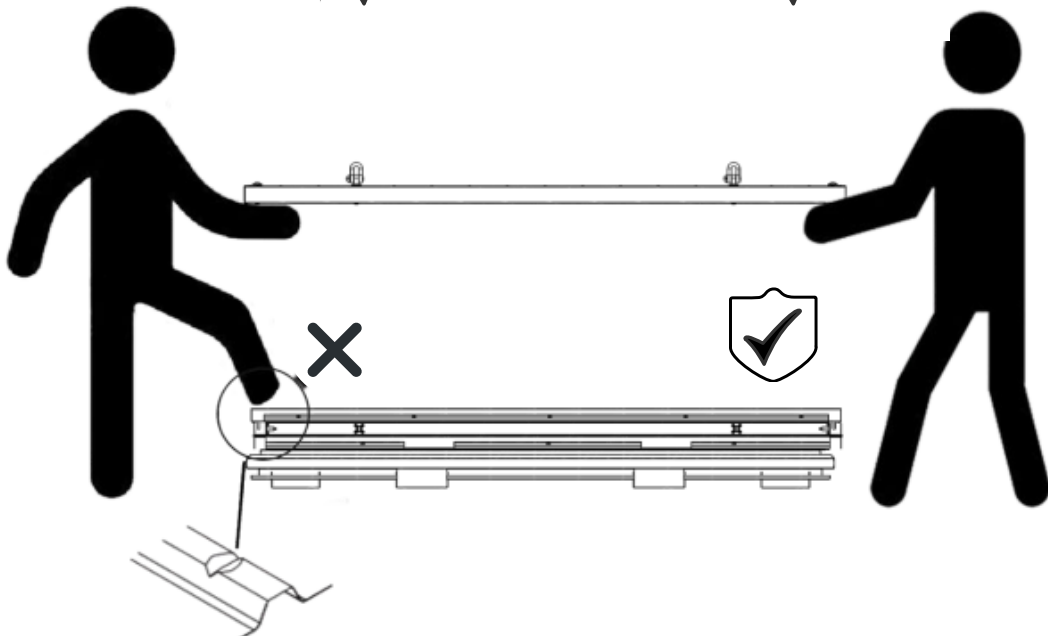
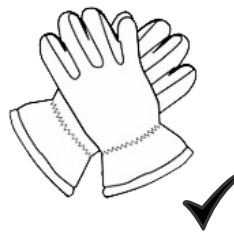


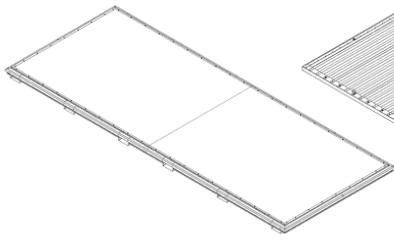
PRODUCT CODE:60.110.430

**prefabase**  
Quick Build Solutions

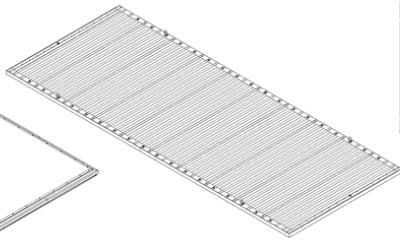
Instructions and User Guide



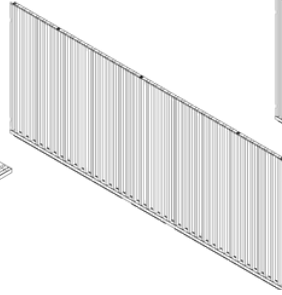
60.0110  
1x



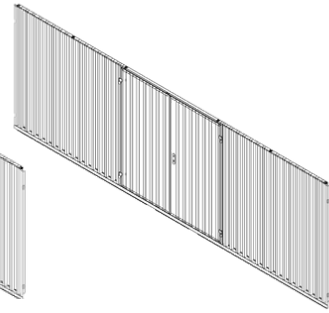
60.0510  
1x



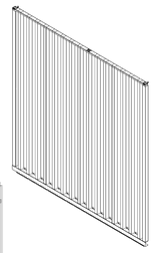
60.0410  
1x



60.0430  
1x



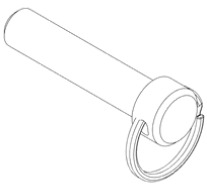
0310  
2x



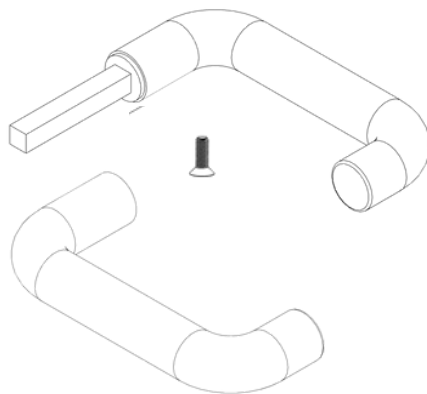
61.101  
4x



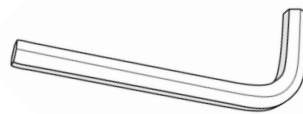
14x



1x



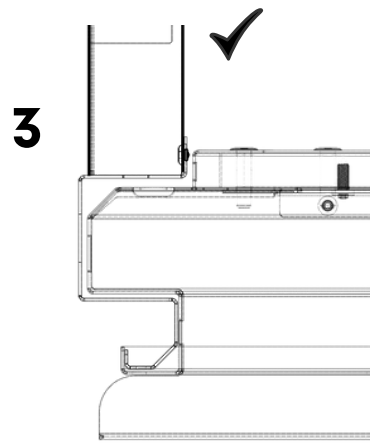
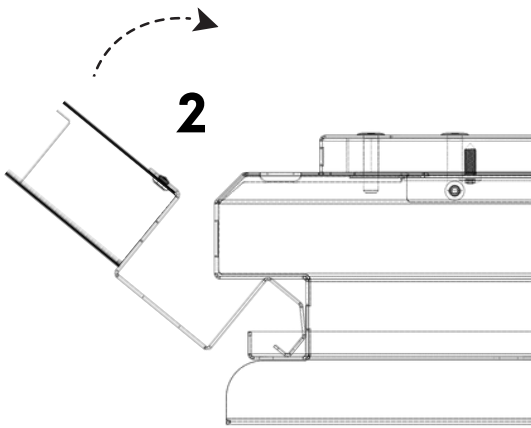
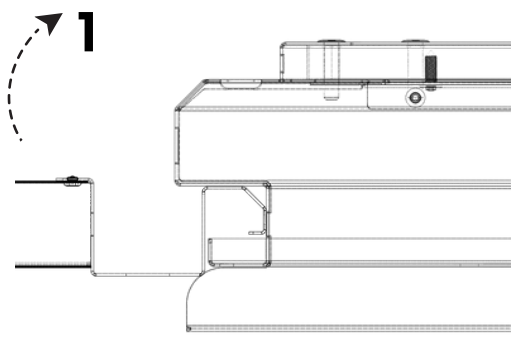
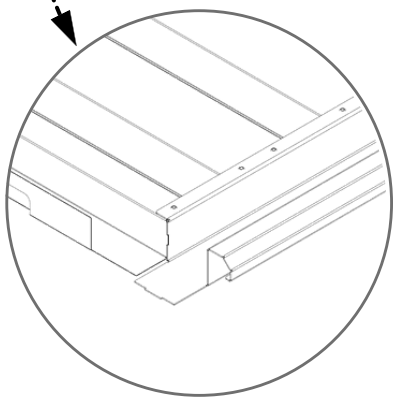
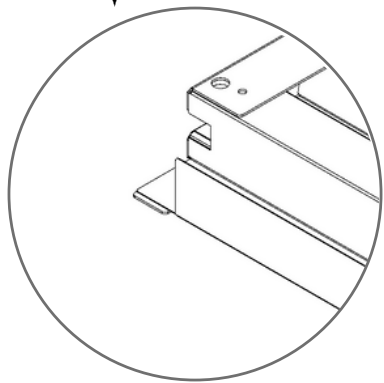
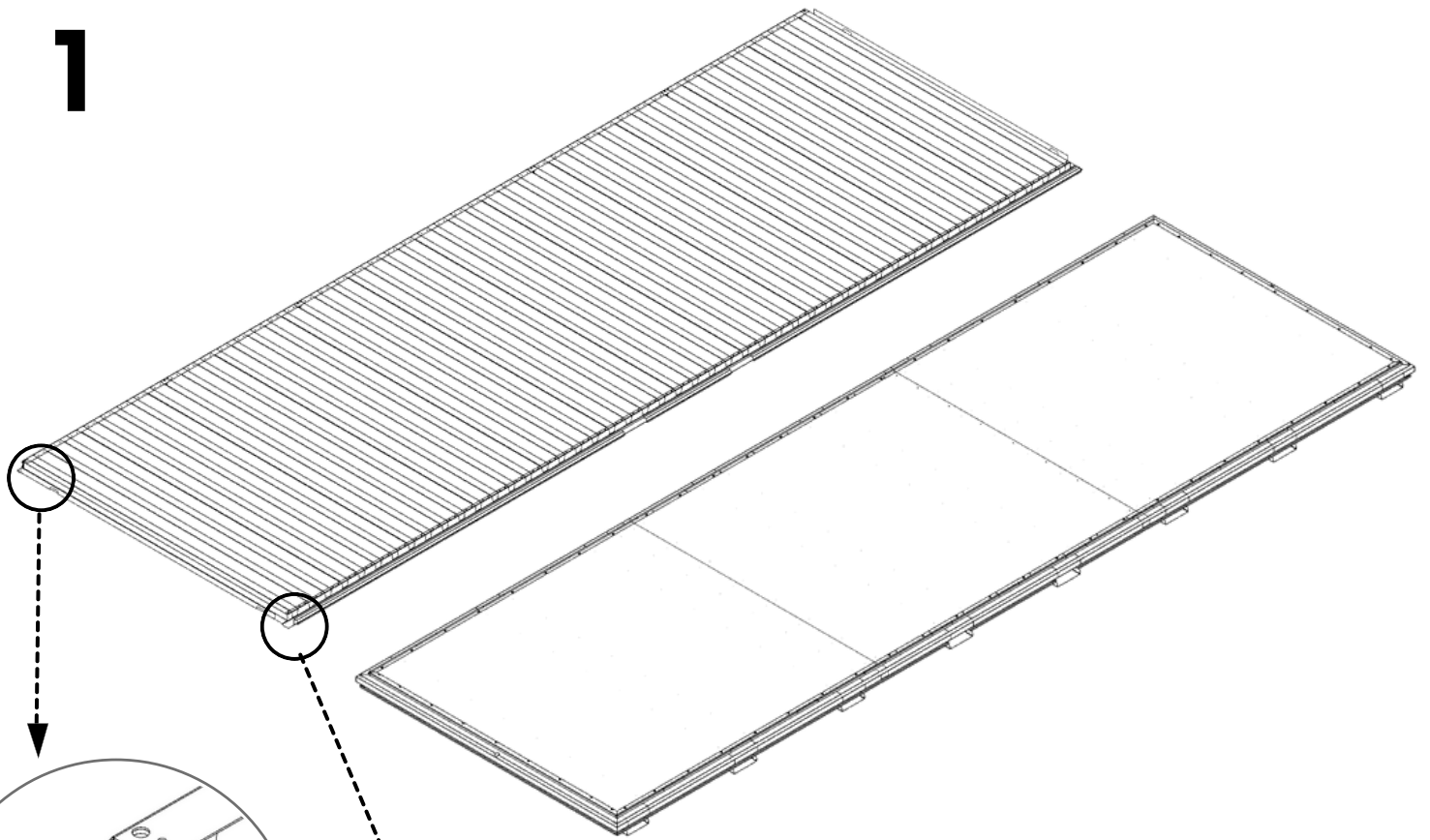
1x



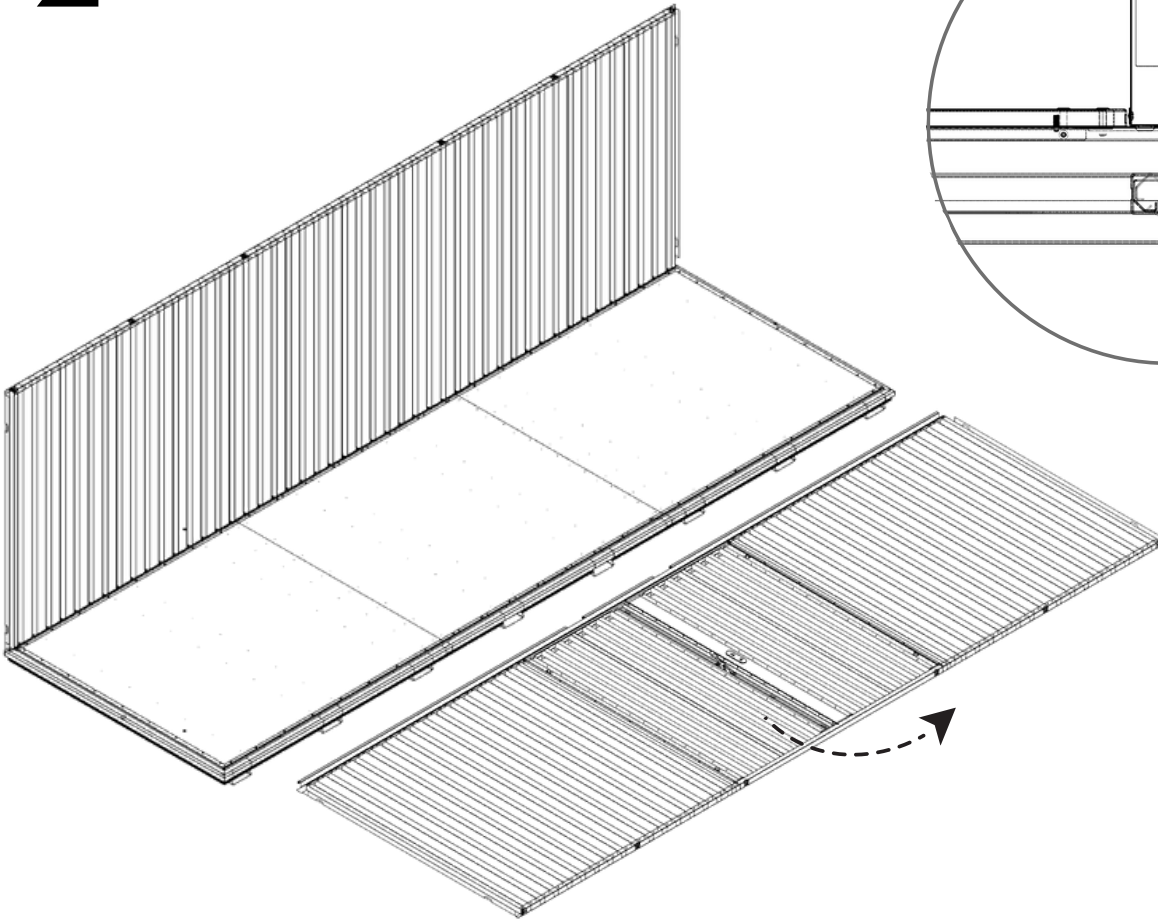
1x



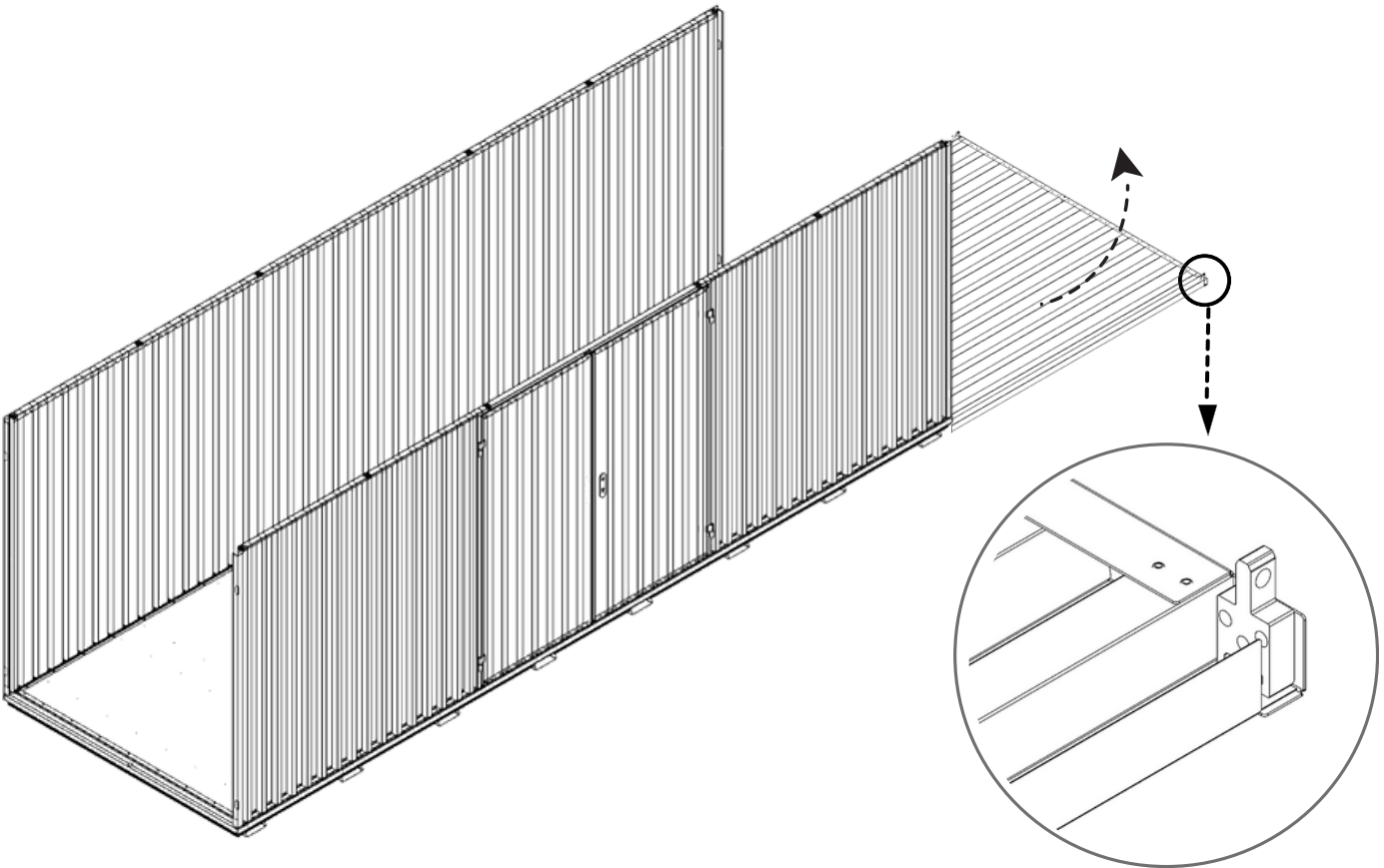
**1**



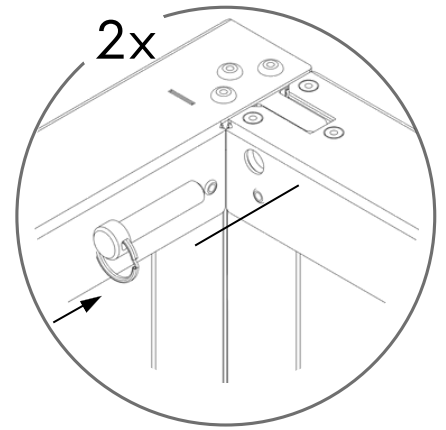
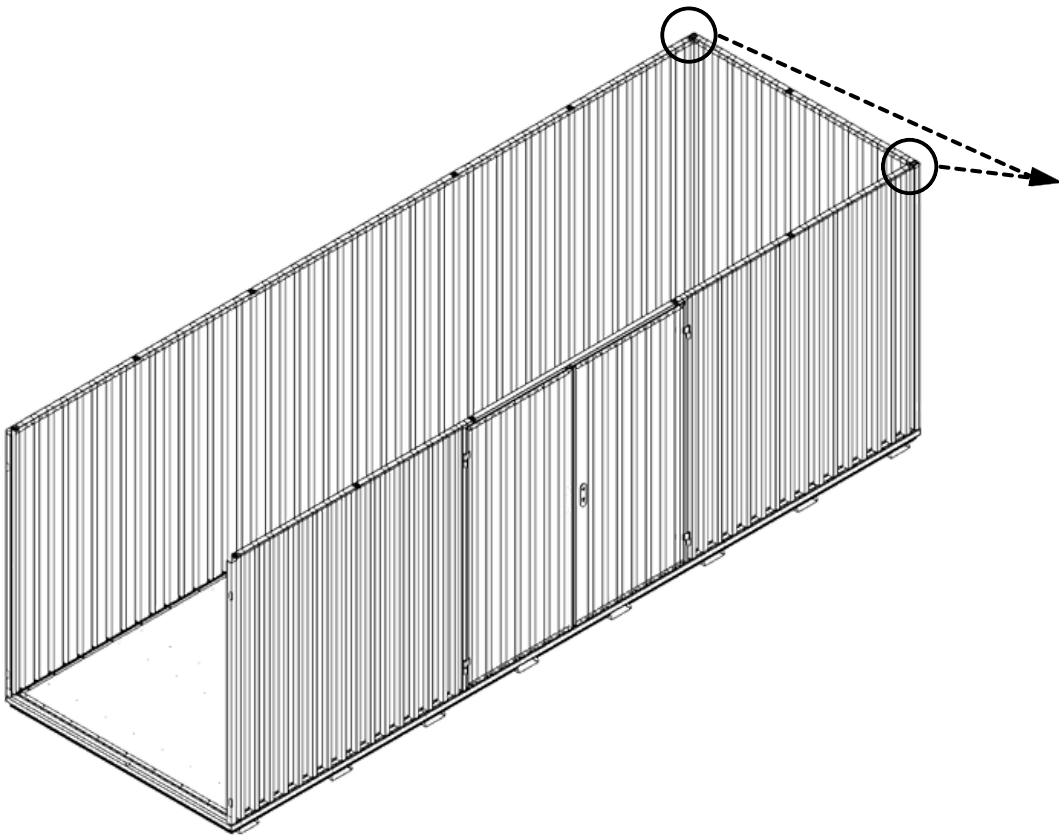
**2**



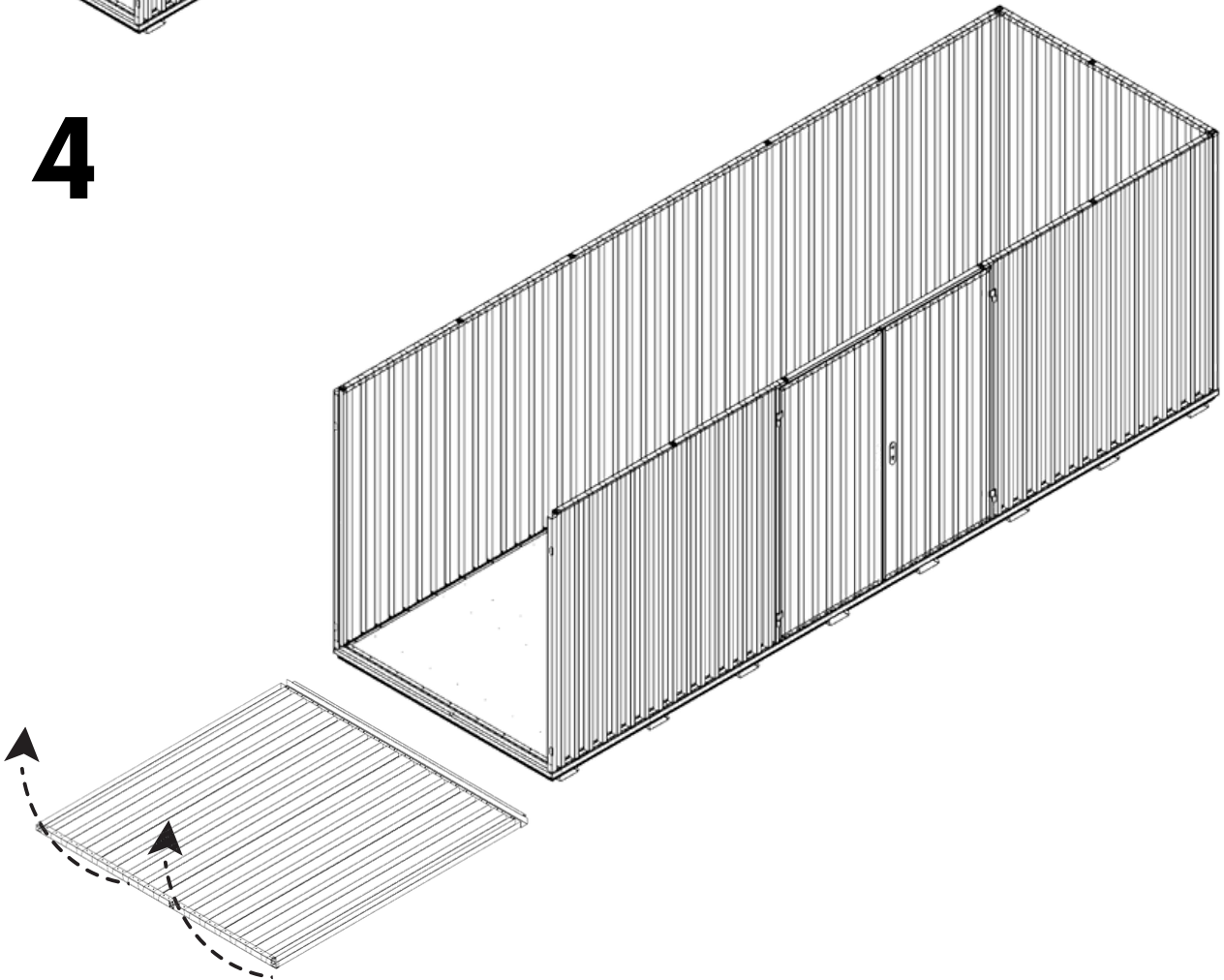
**3**



# 3.1

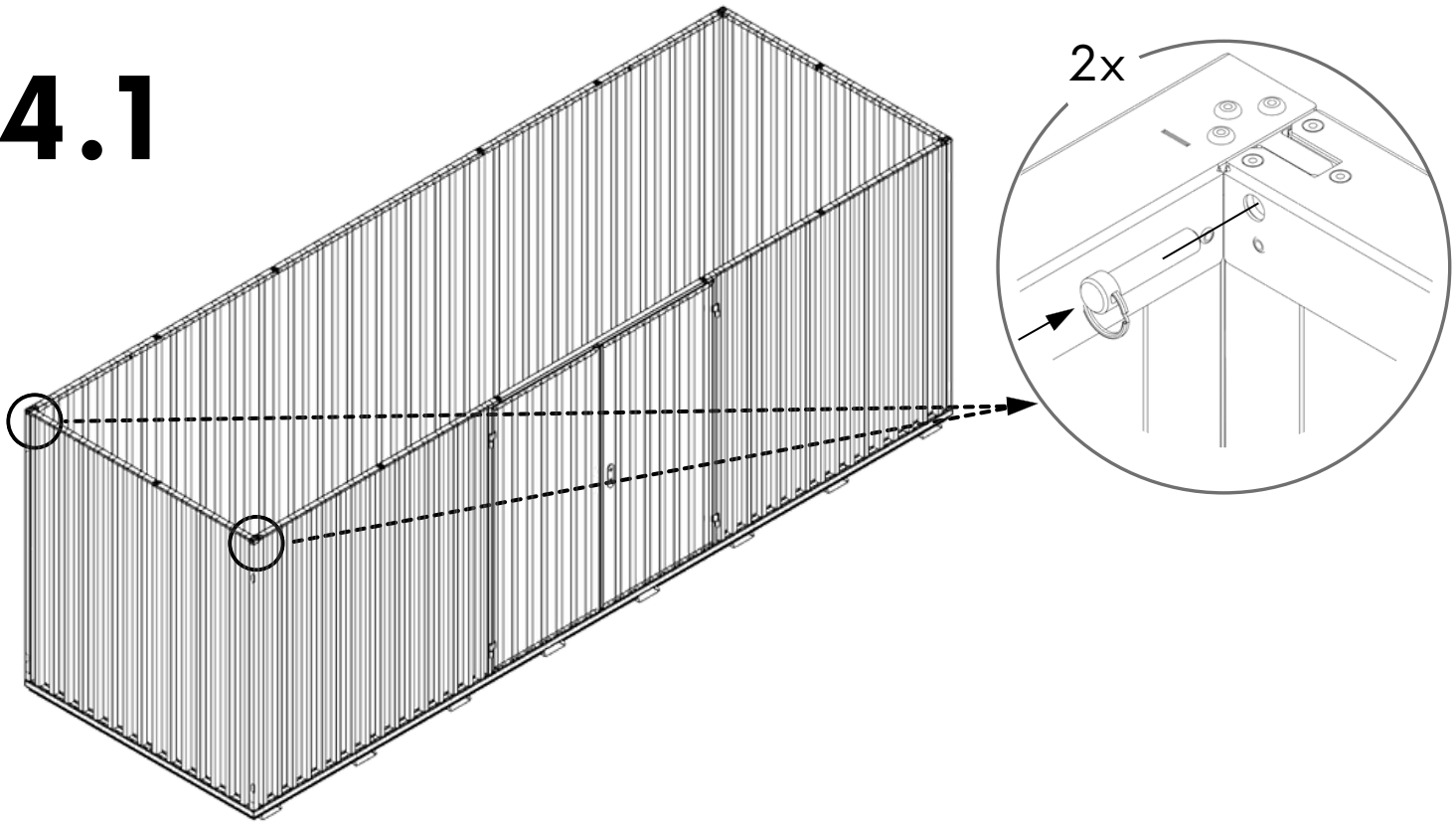










# 4

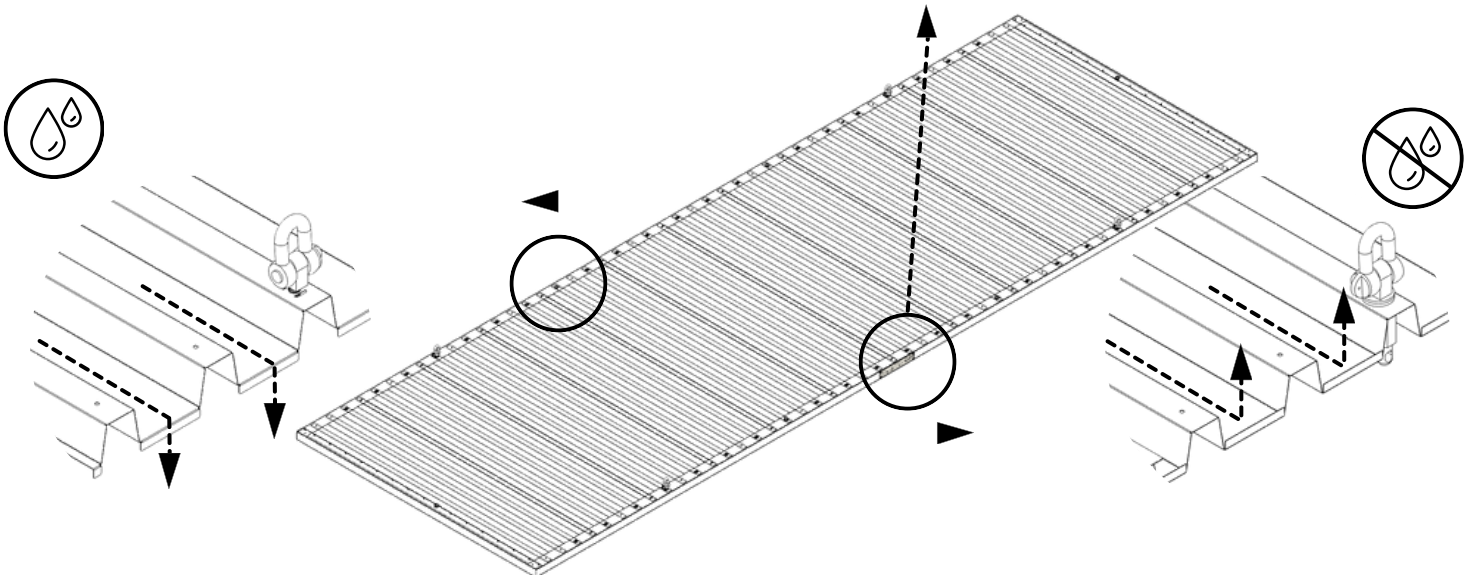




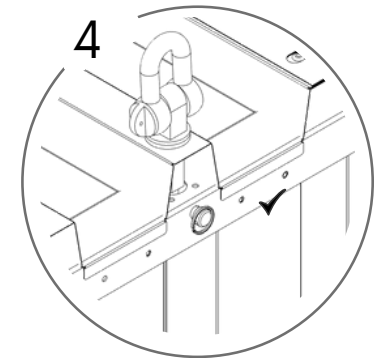
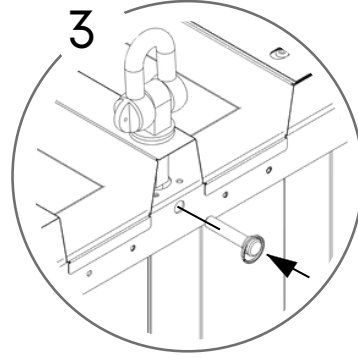
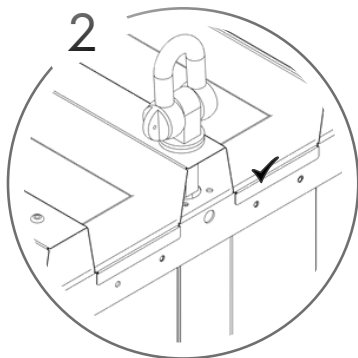
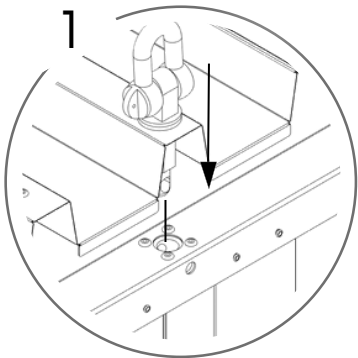
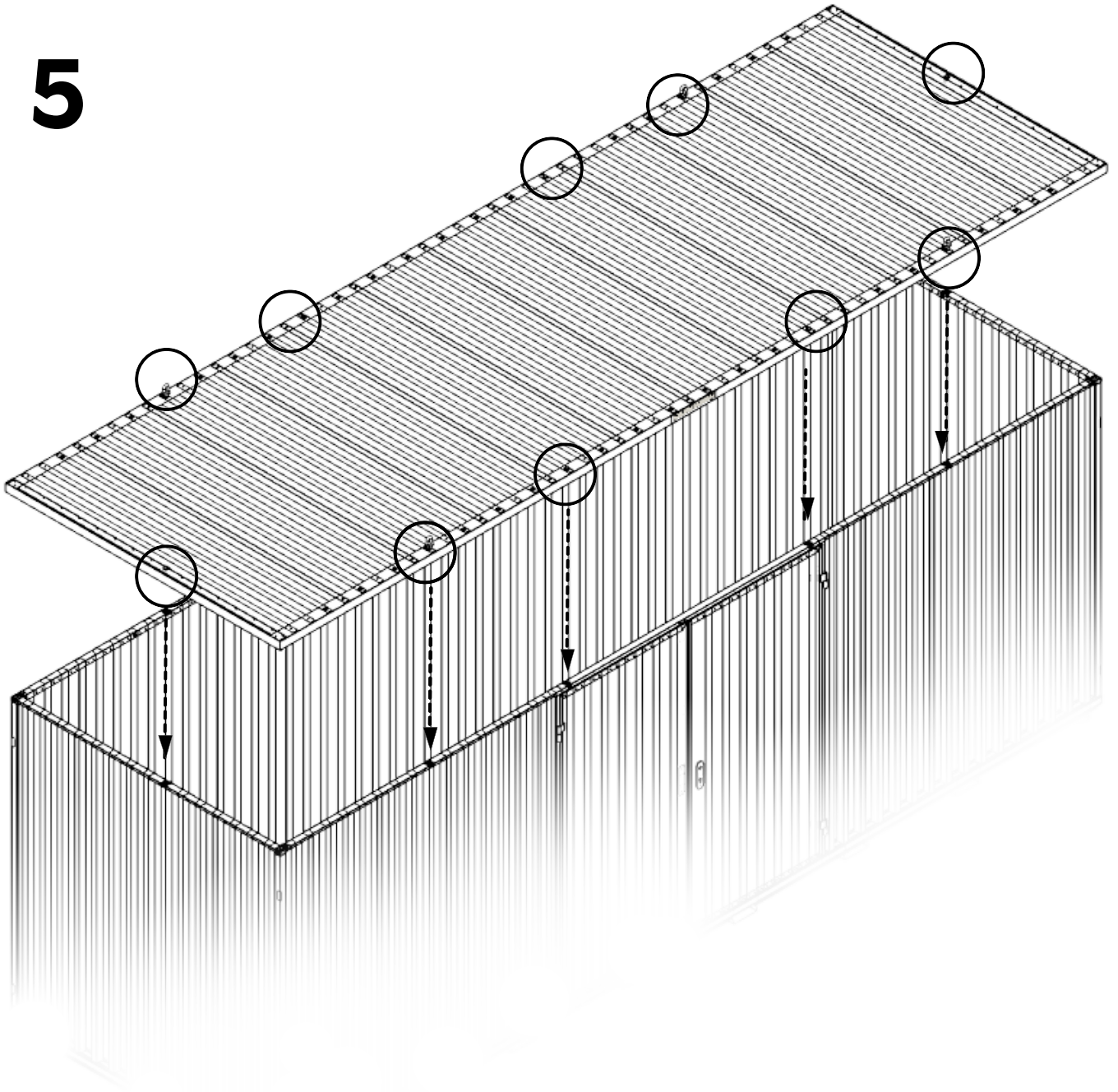
# 4.1



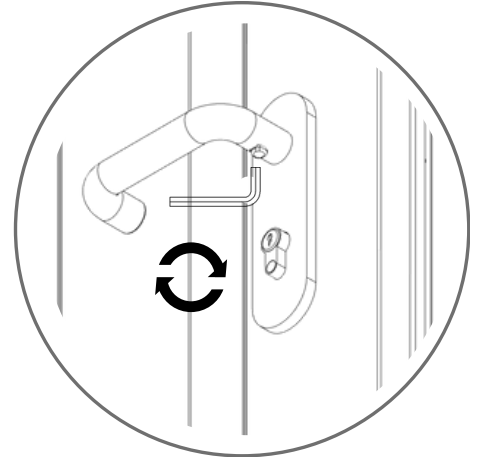
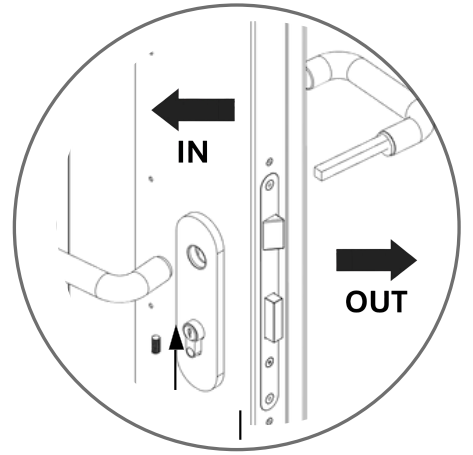
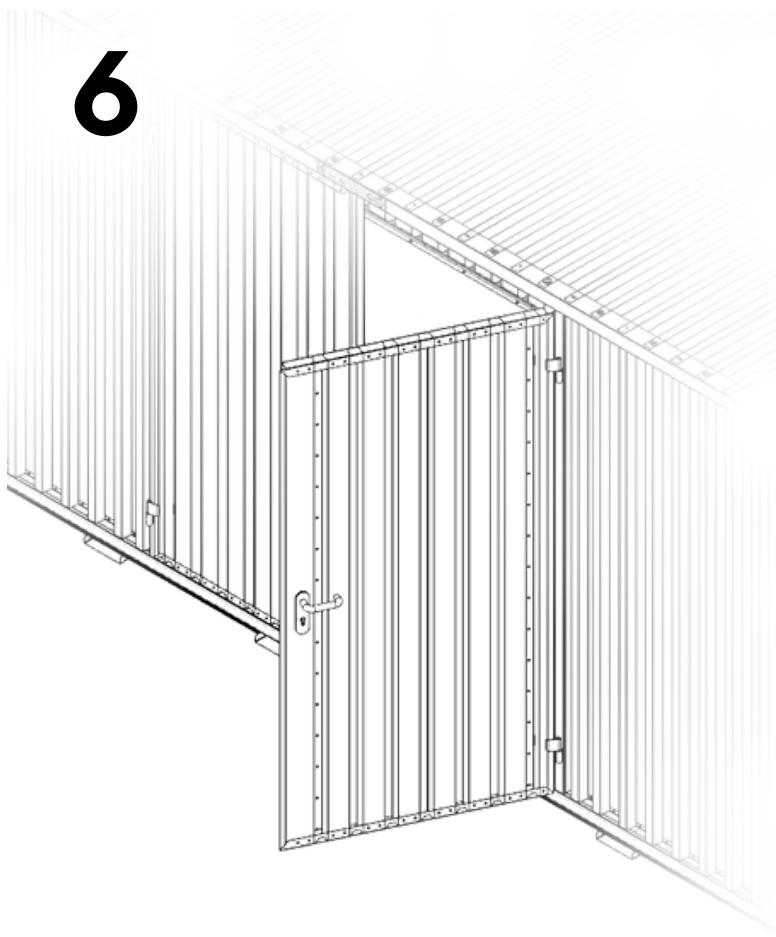
 590 KG	 1640 MM	Model Code: 60.110.430 Production Tracking Code: ...../X09.1.60.430    9001      14001      50001	 	
---	--	--	---	---



# 5



6



7

