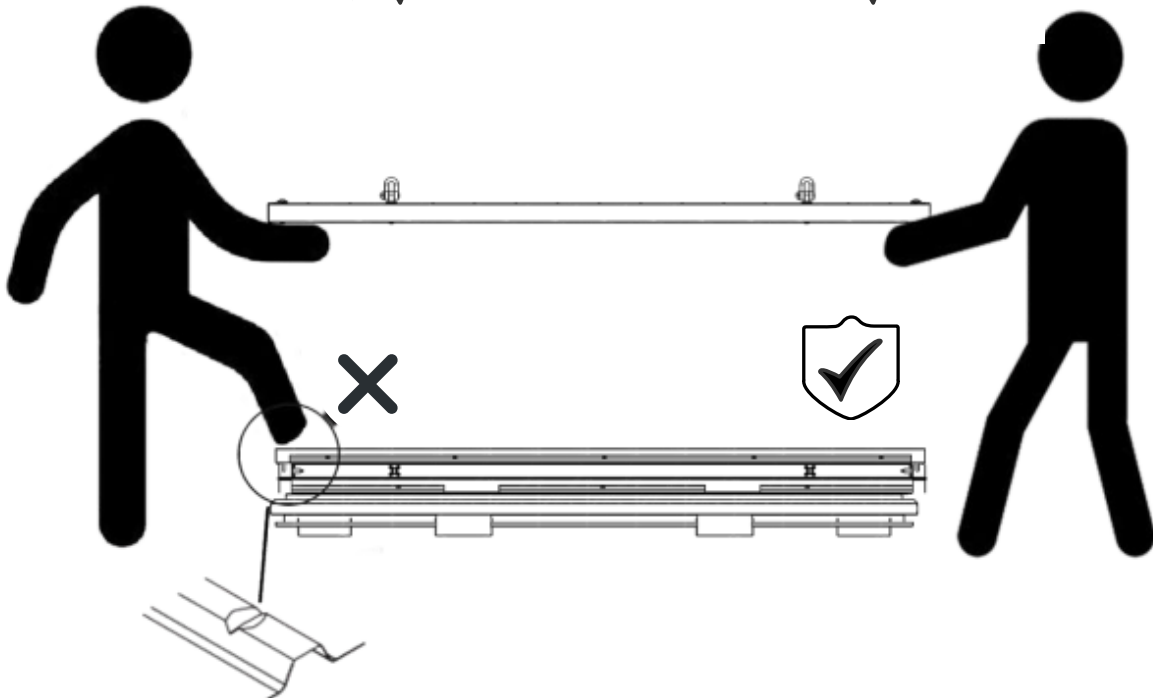
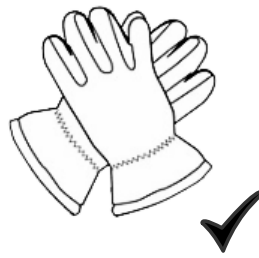


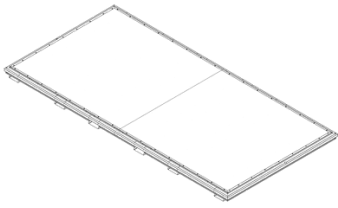
PRODUCT CODE:4040.110.320.331

**prefabase**  
Quick Build Solutions

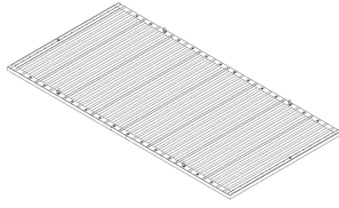
Instructions and User Guide



40.0110  
2x



40.0510  
2x



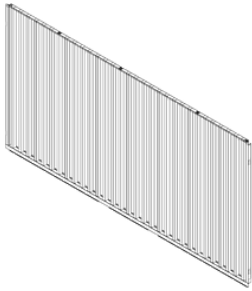
306.0110  
1x



306.0510  
1x



40.0410  
4x



0320  
1x



0330  
1x



306.40.05  
2x



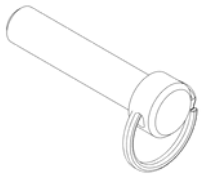
306.40.04  
2x



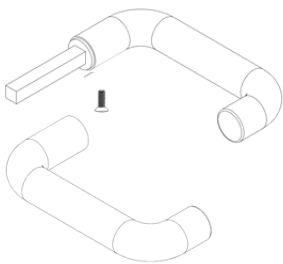
61.101  
2x



24x



2x



10x



10x



10x



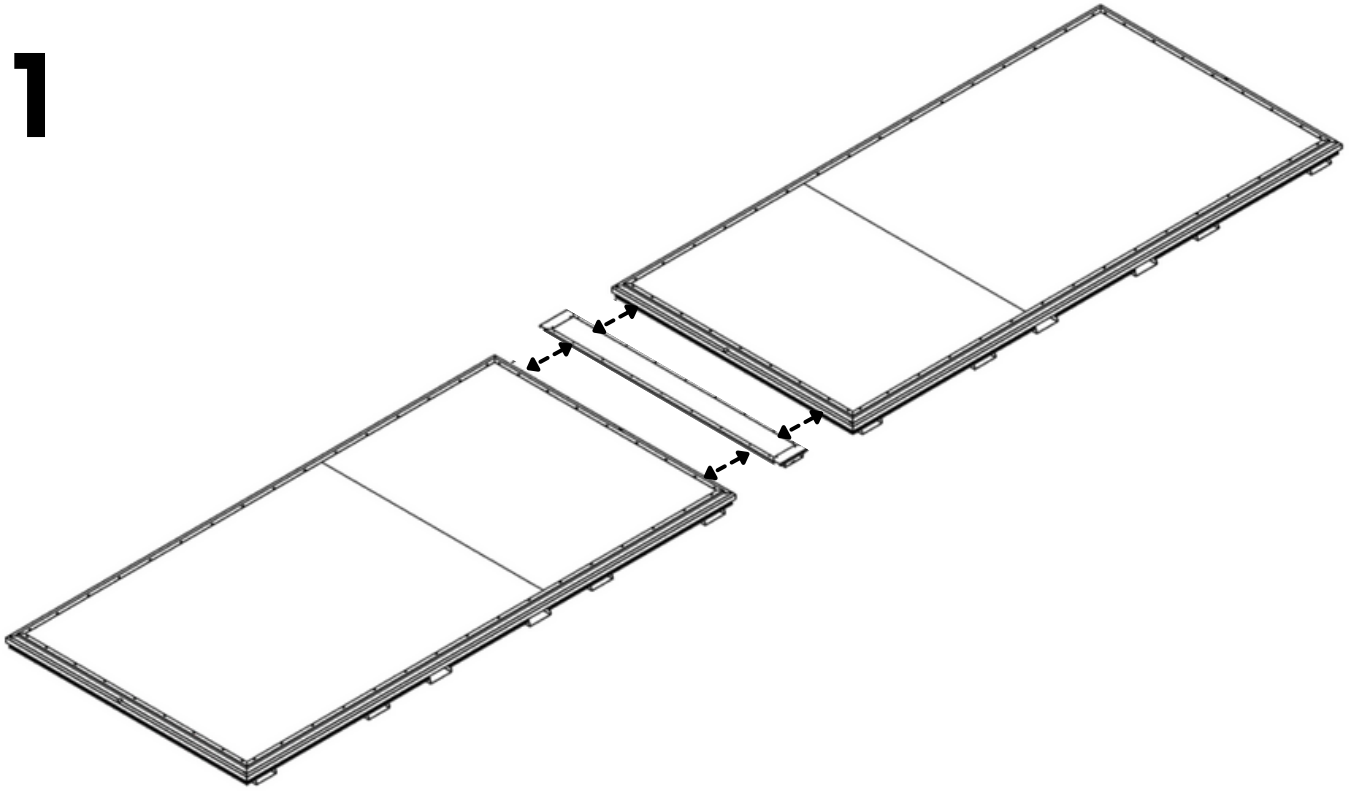
1x



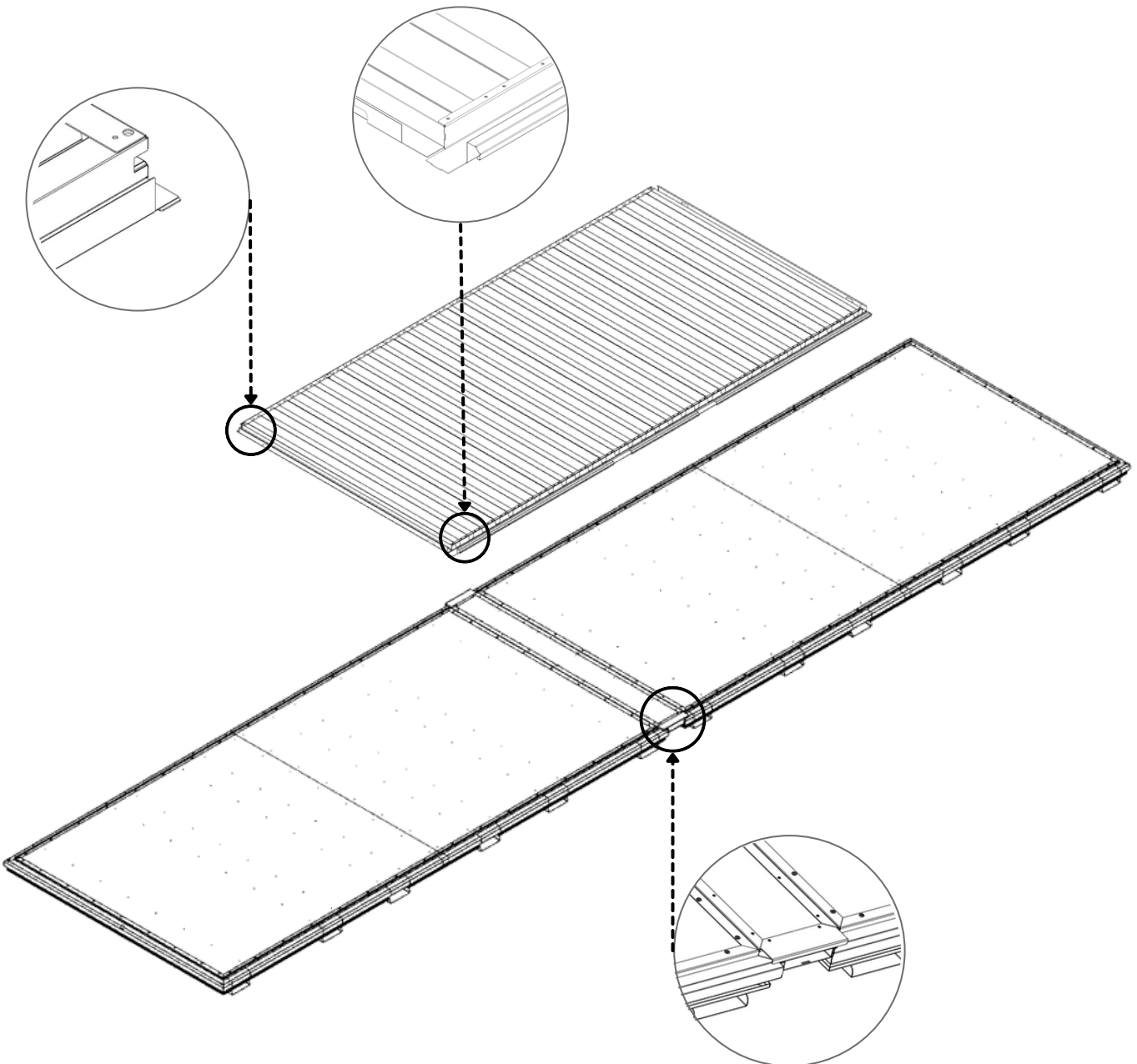
2x

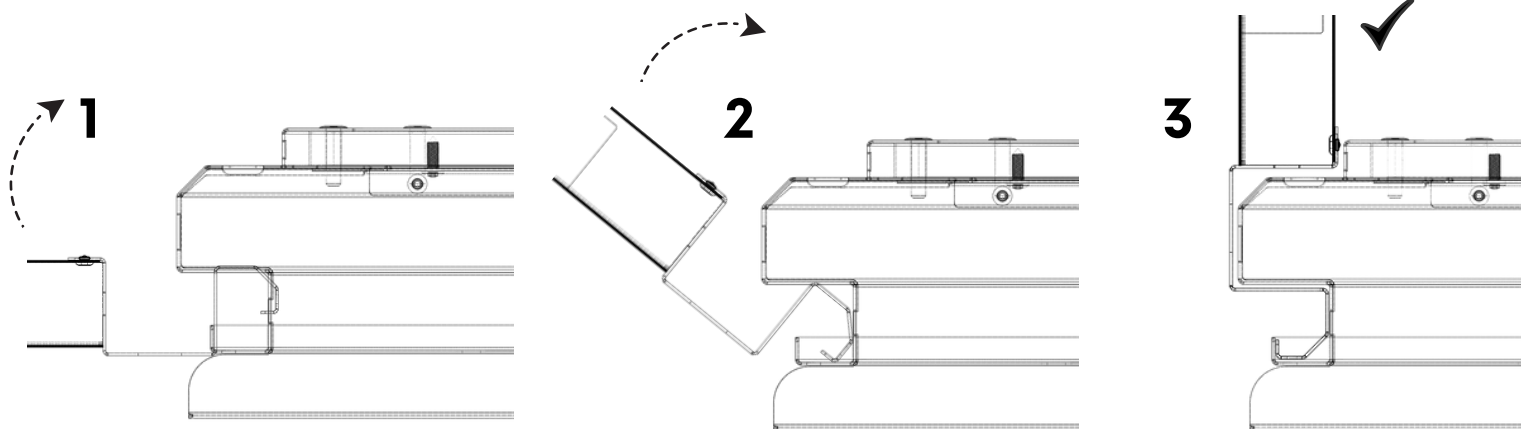


**1**

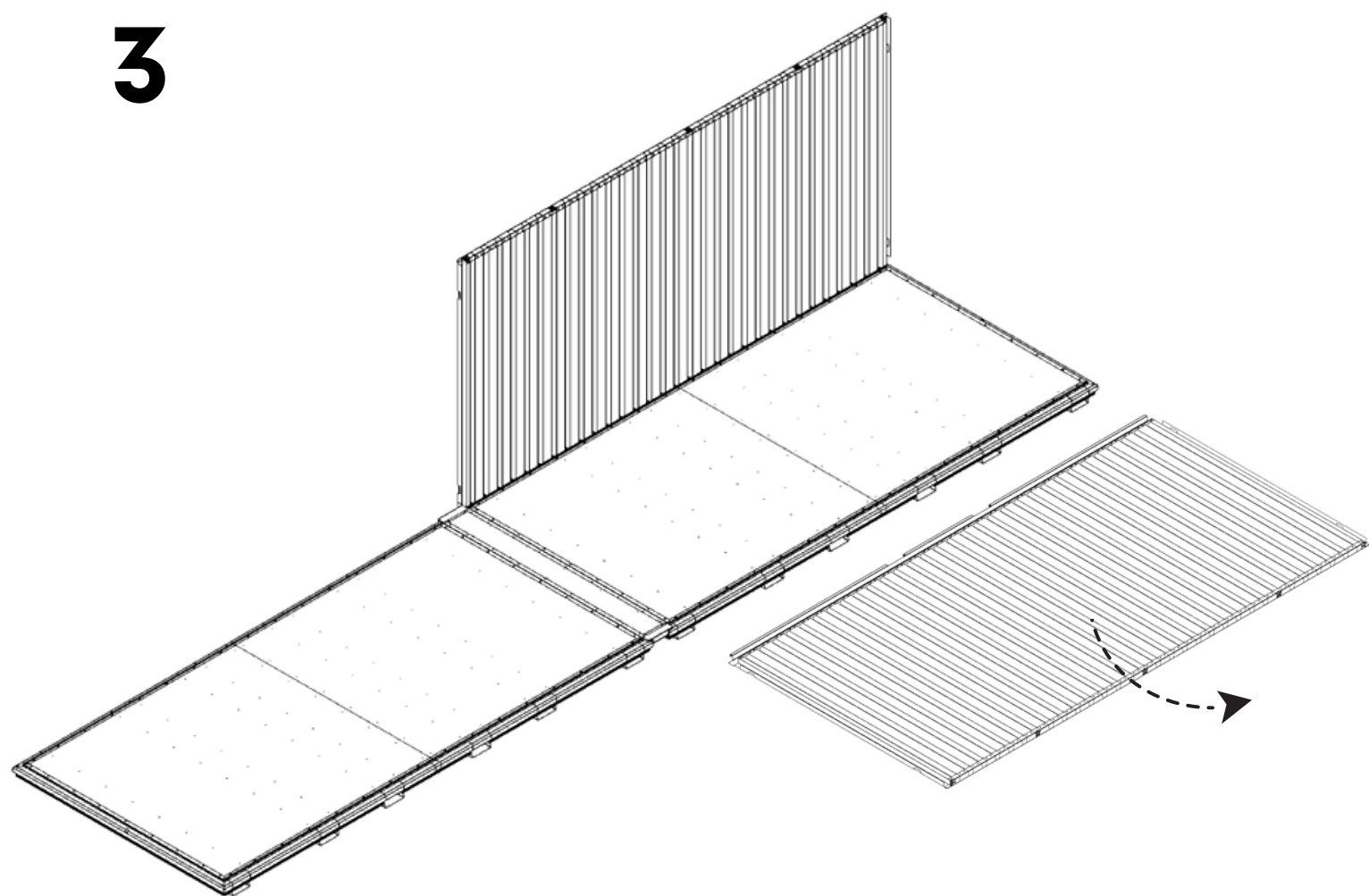


**2**

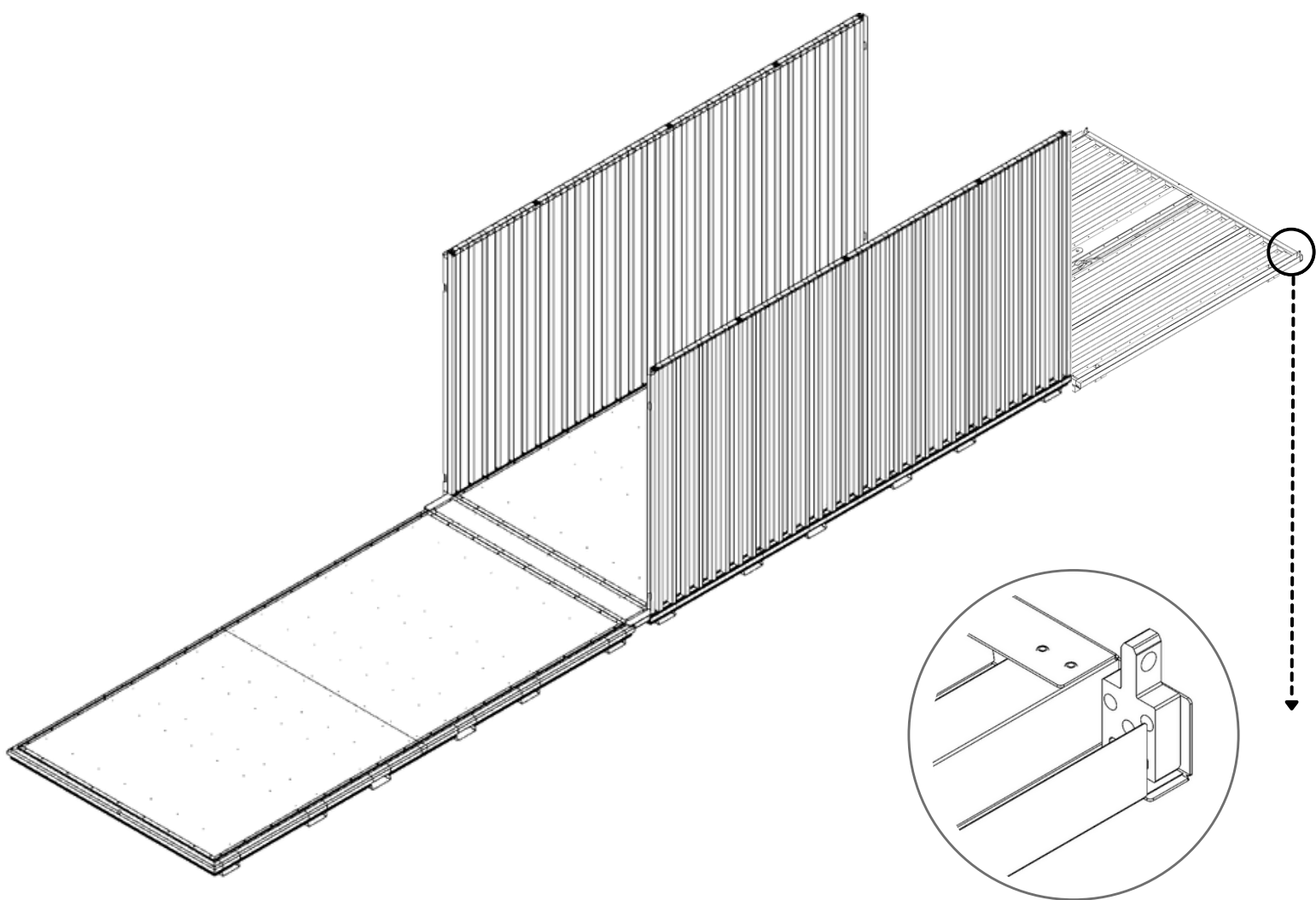




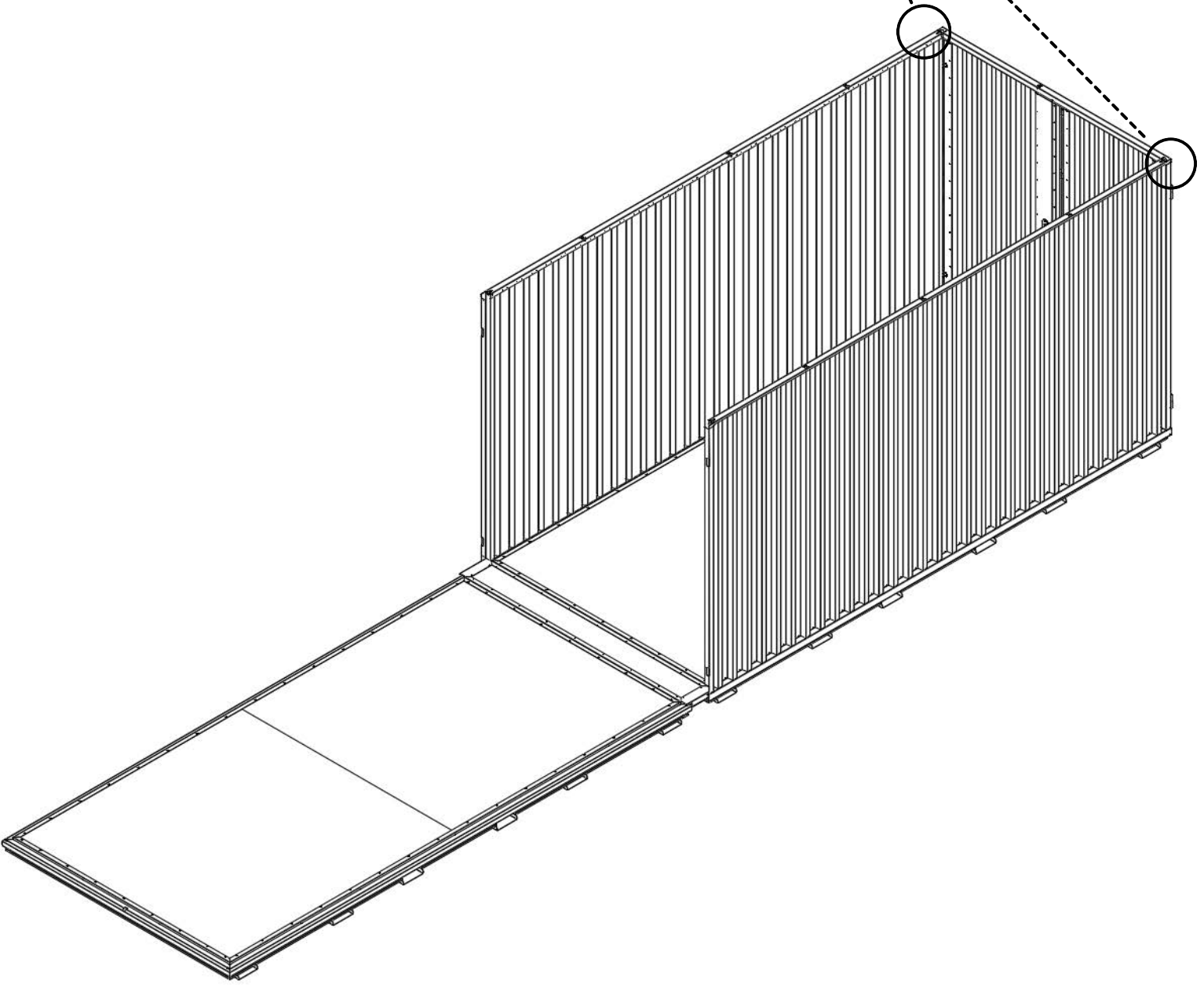
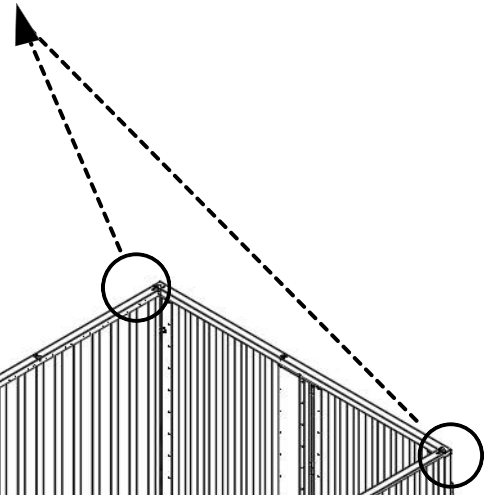
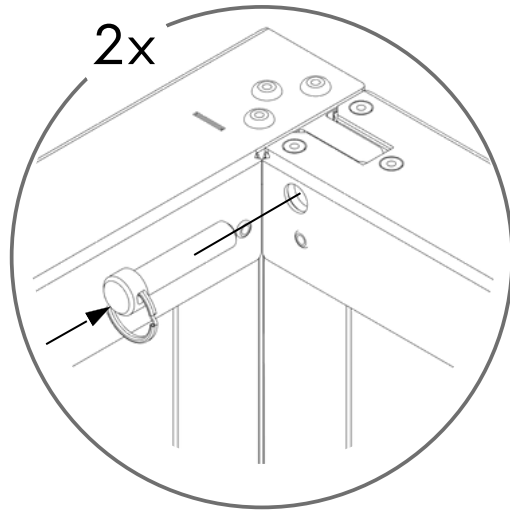
3



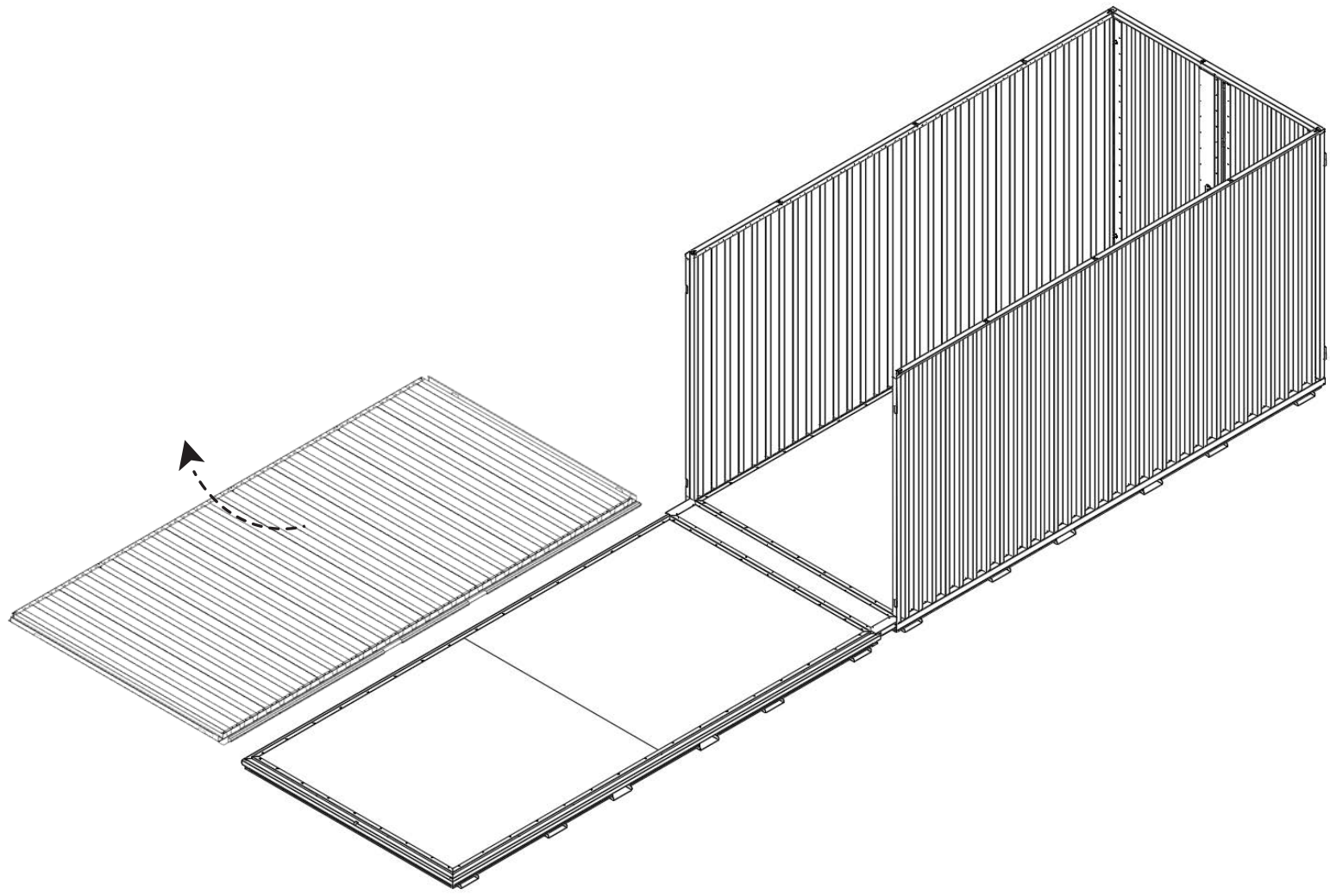
4



# 4.1

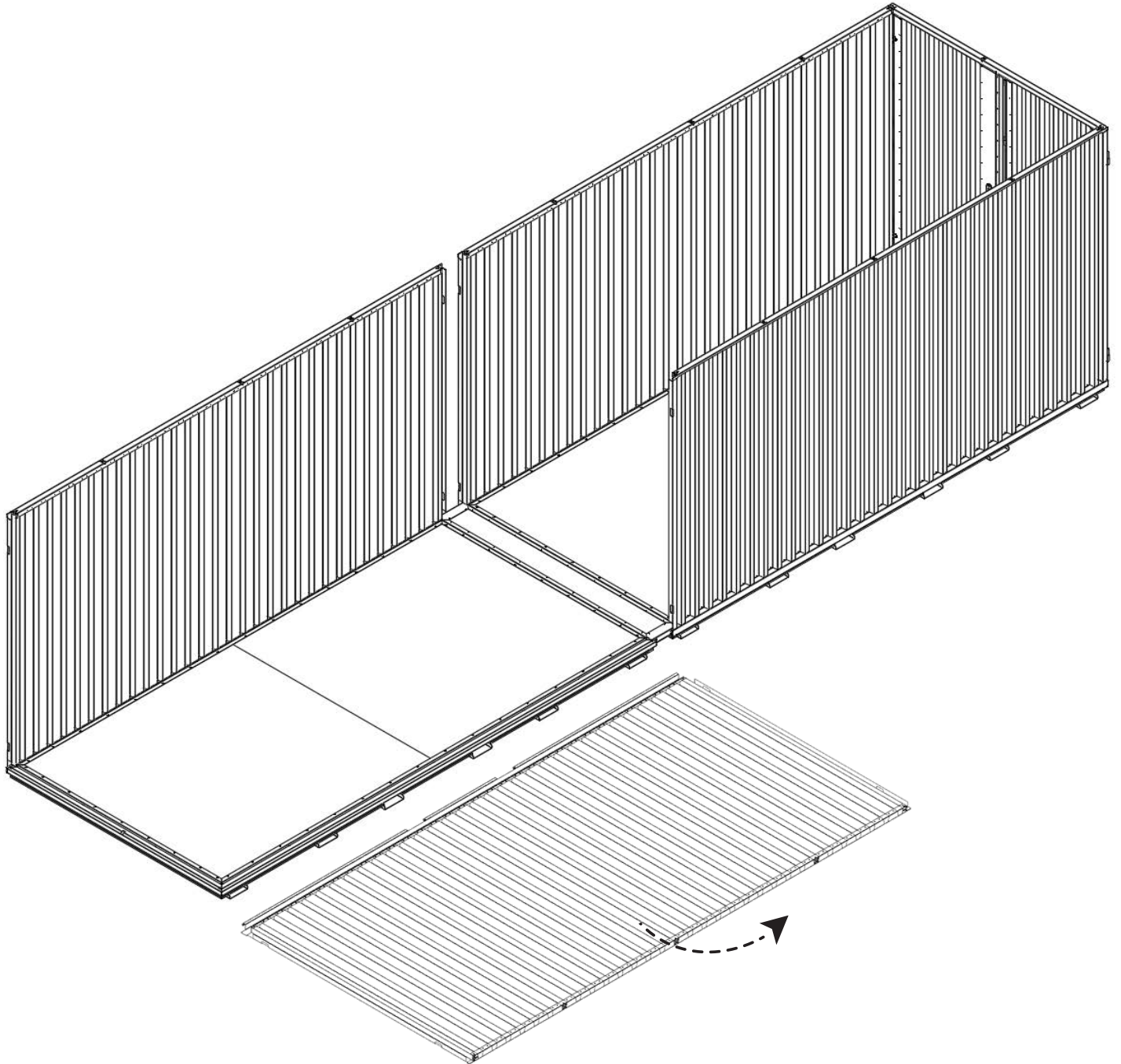


5



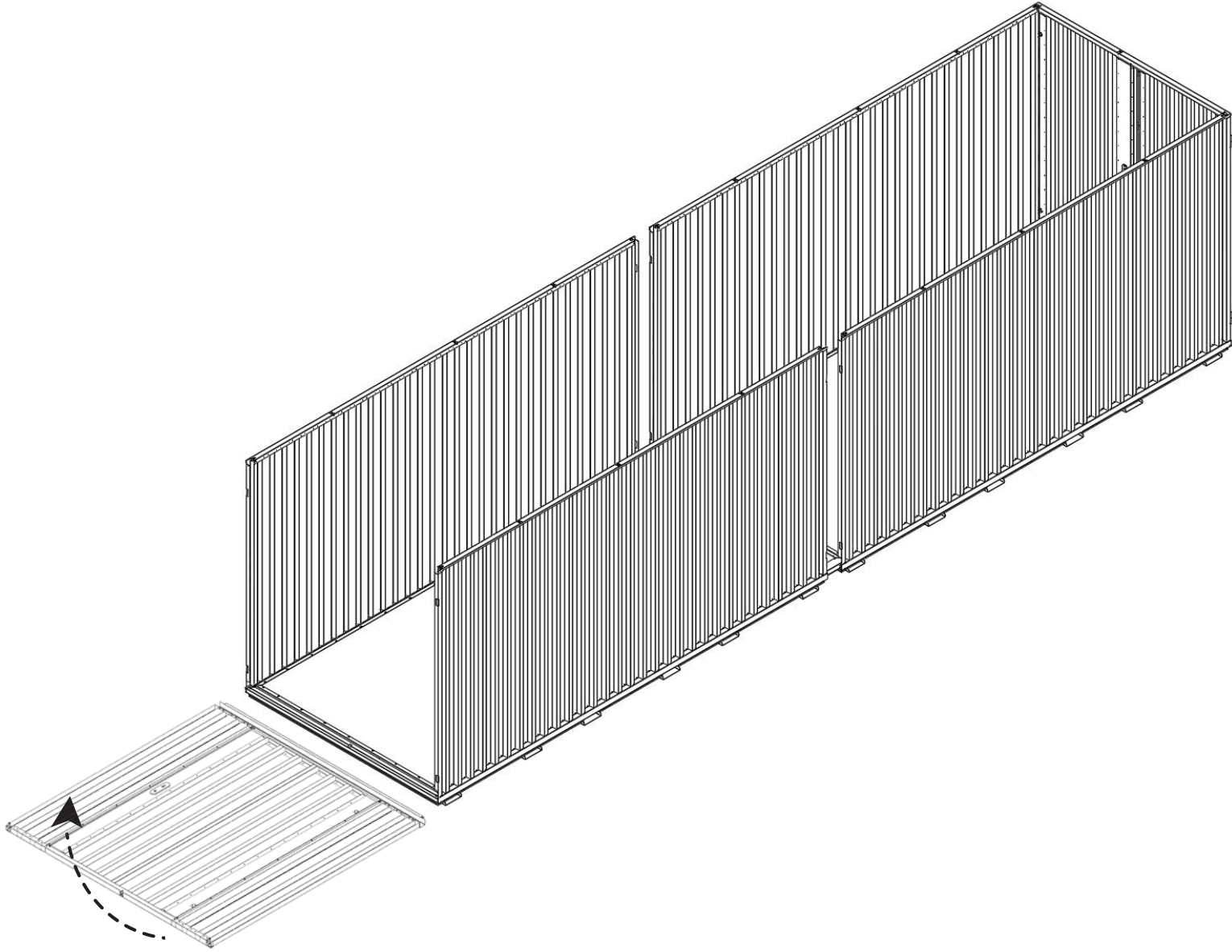


6

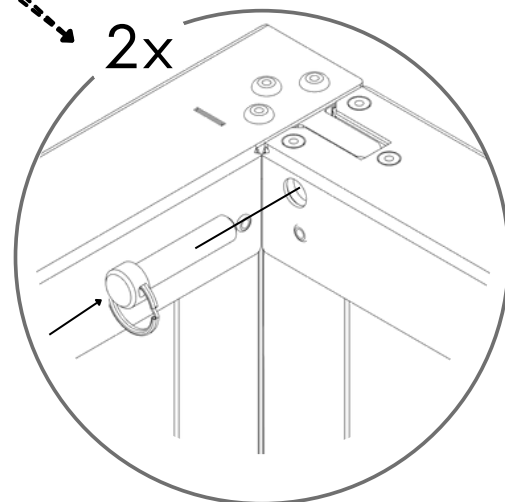
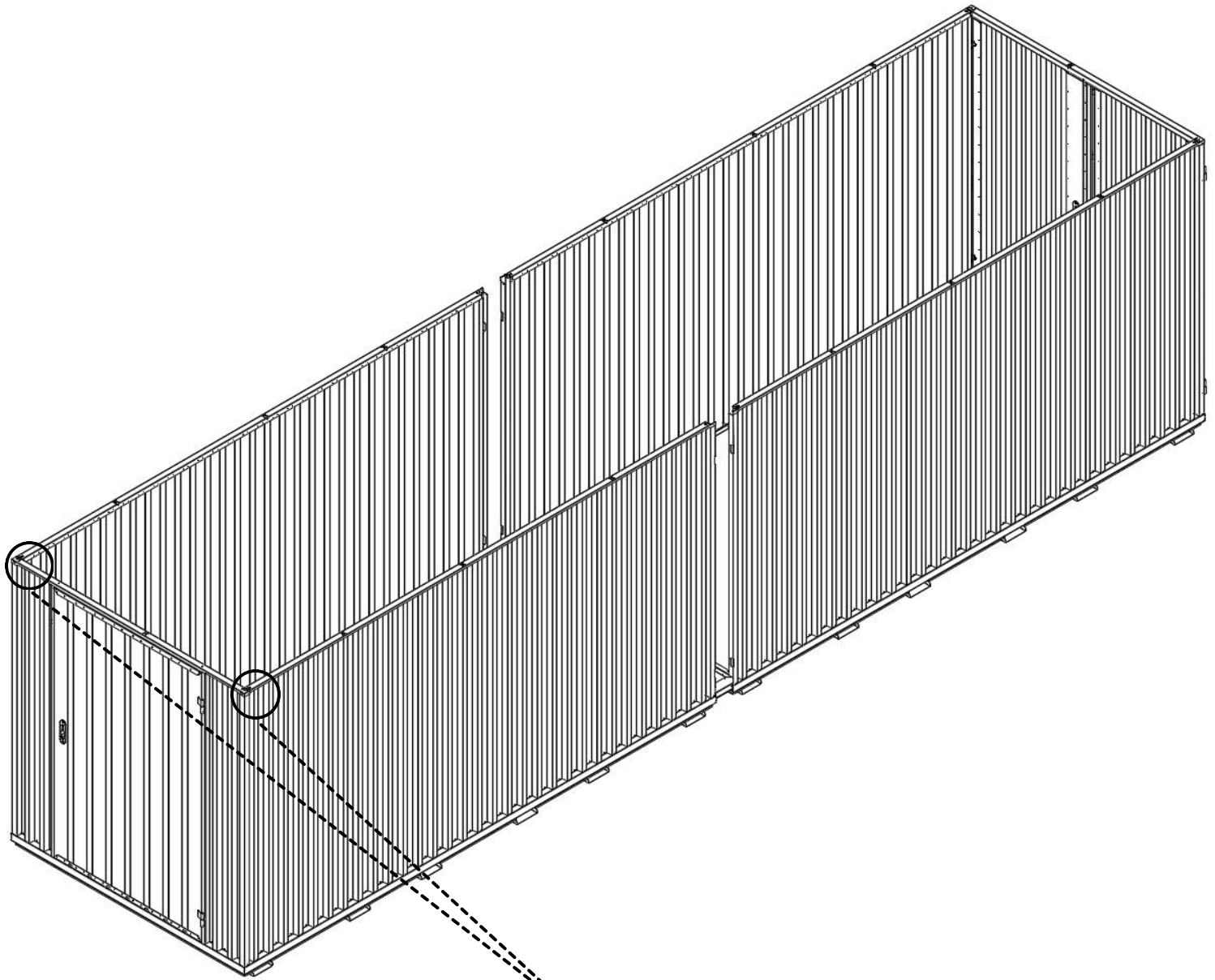




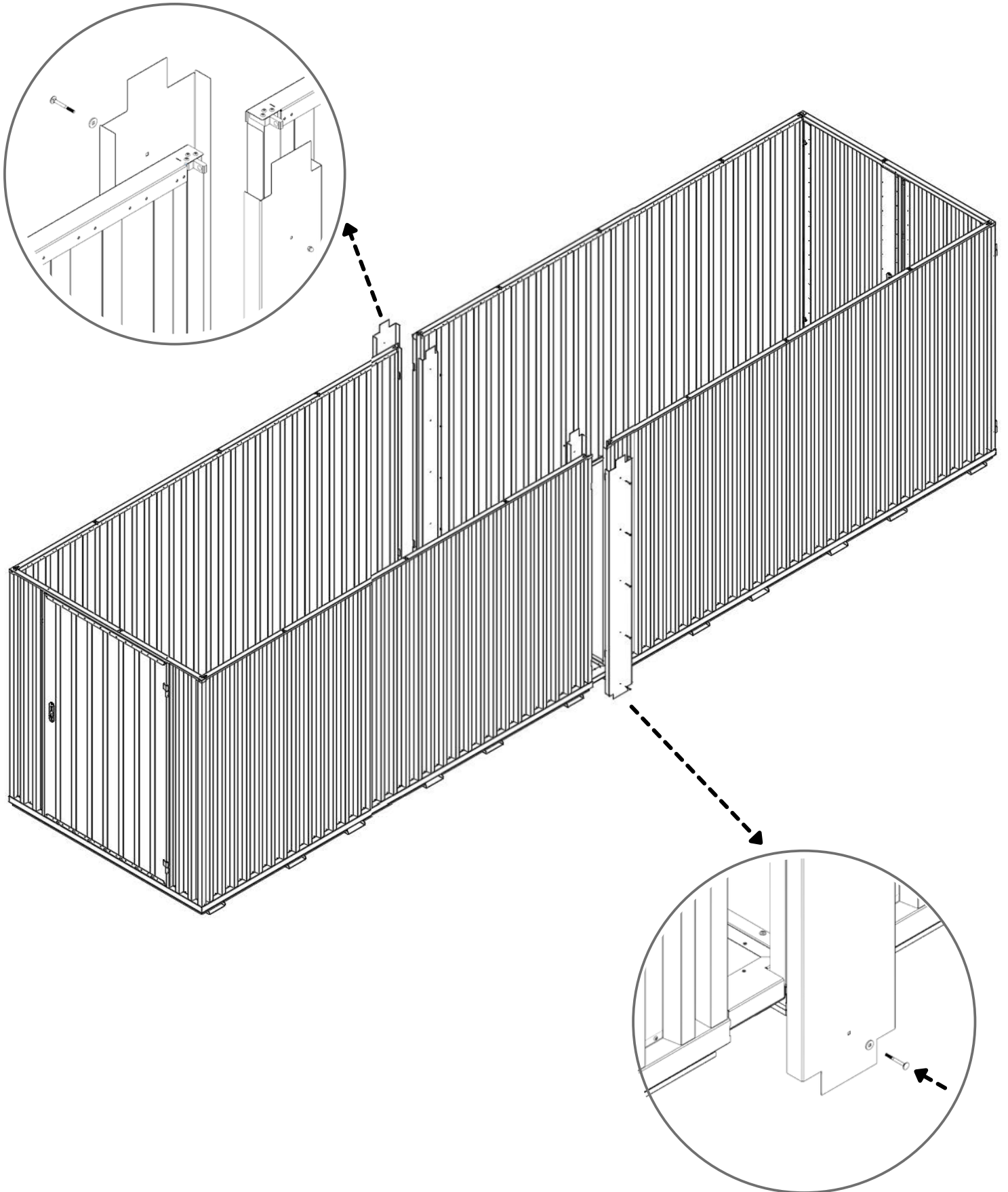
7



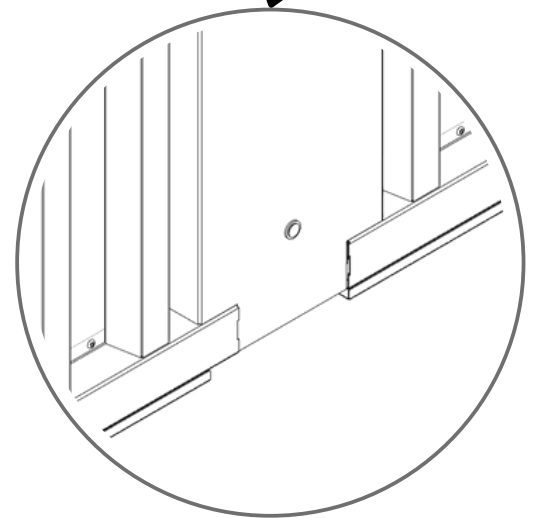
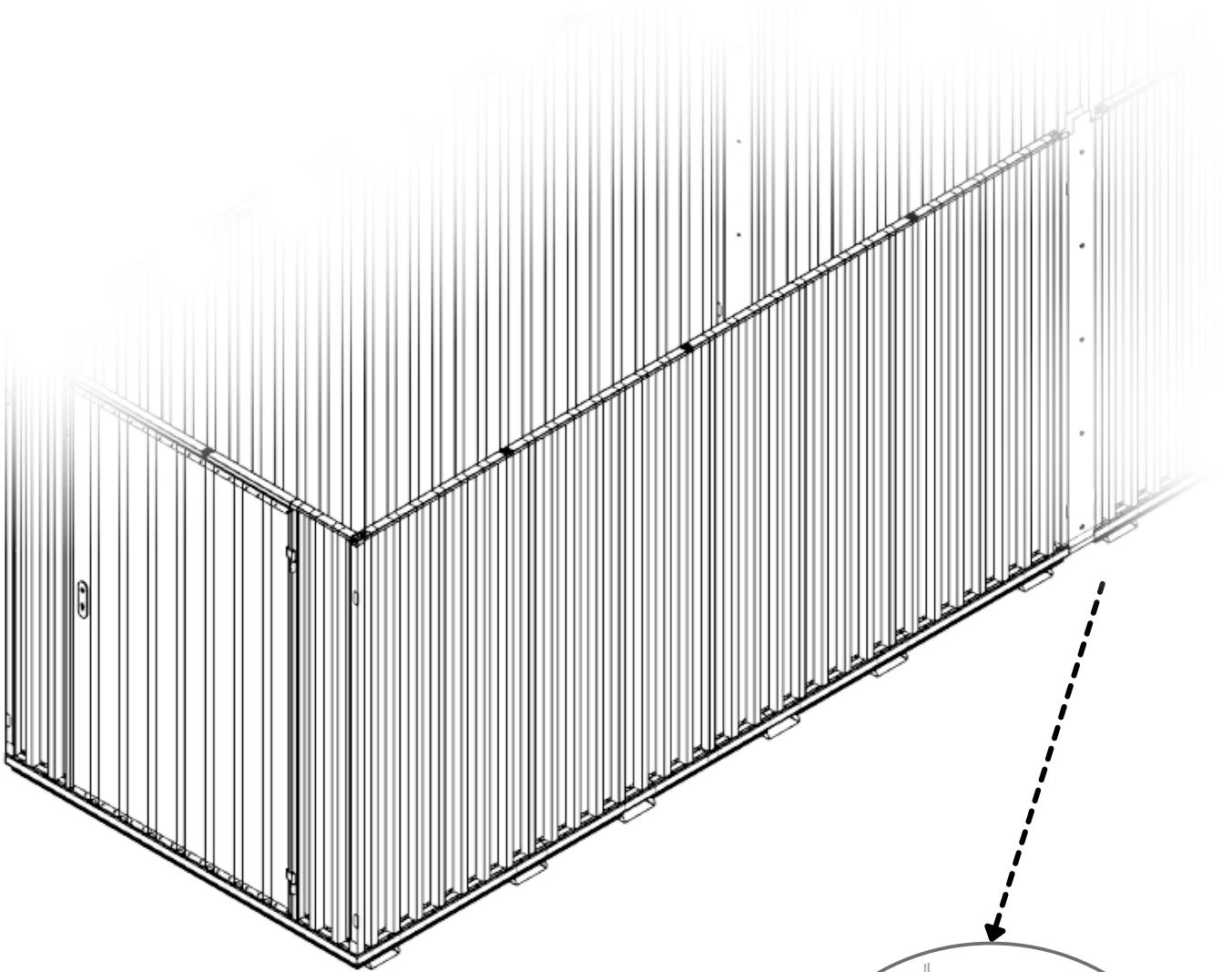
# 7.1



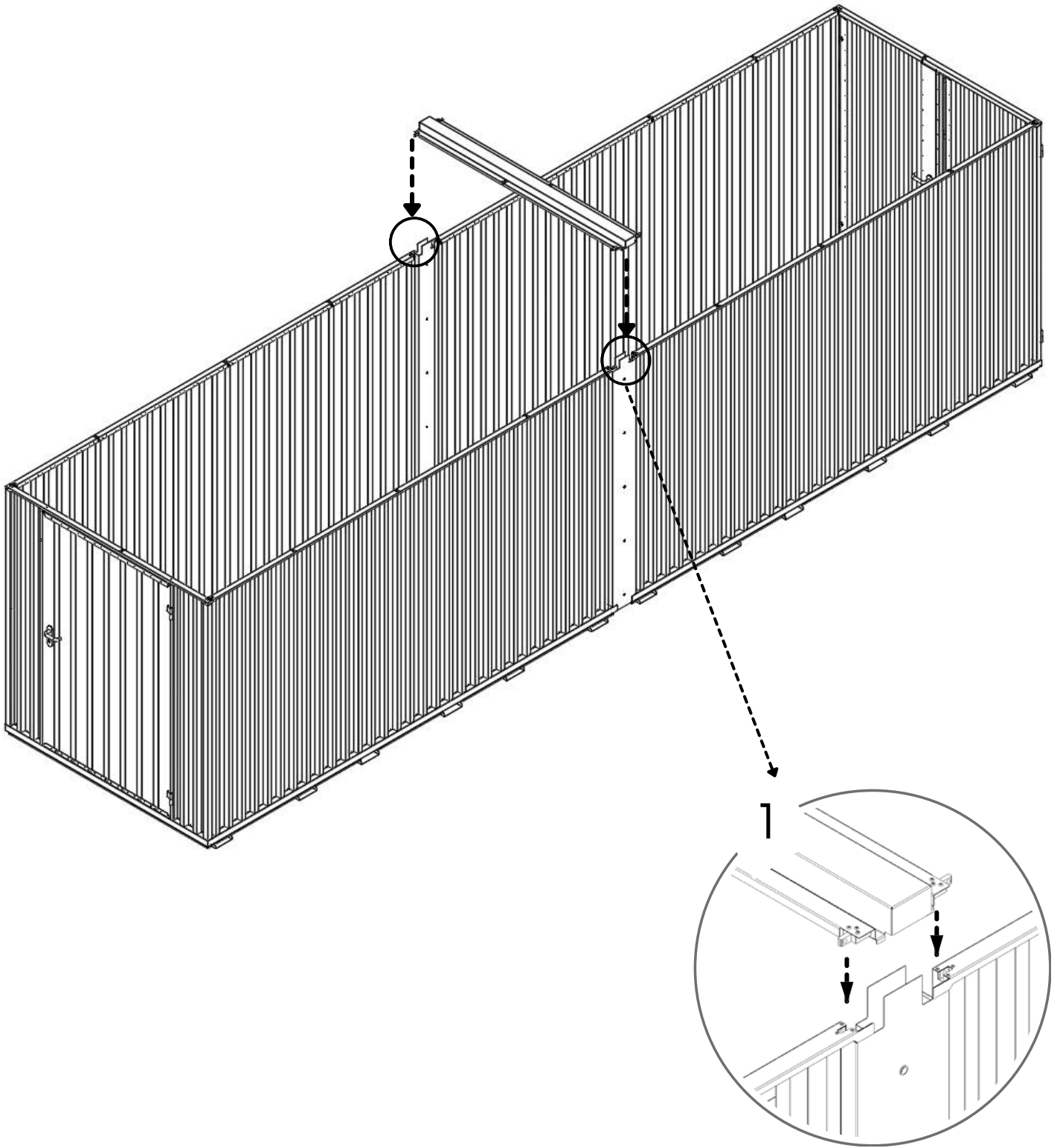
8



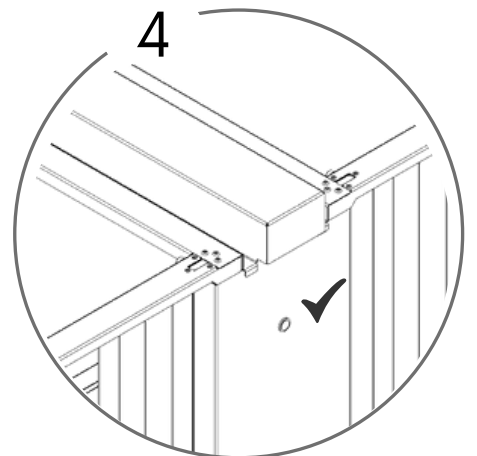
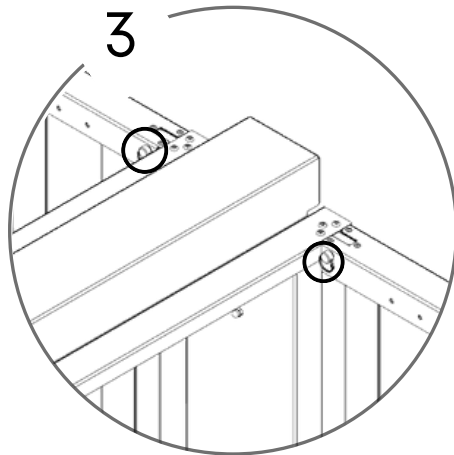
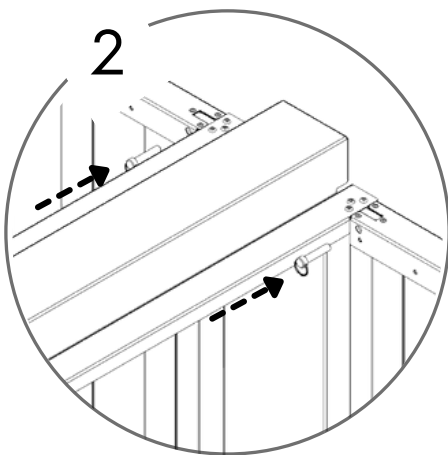
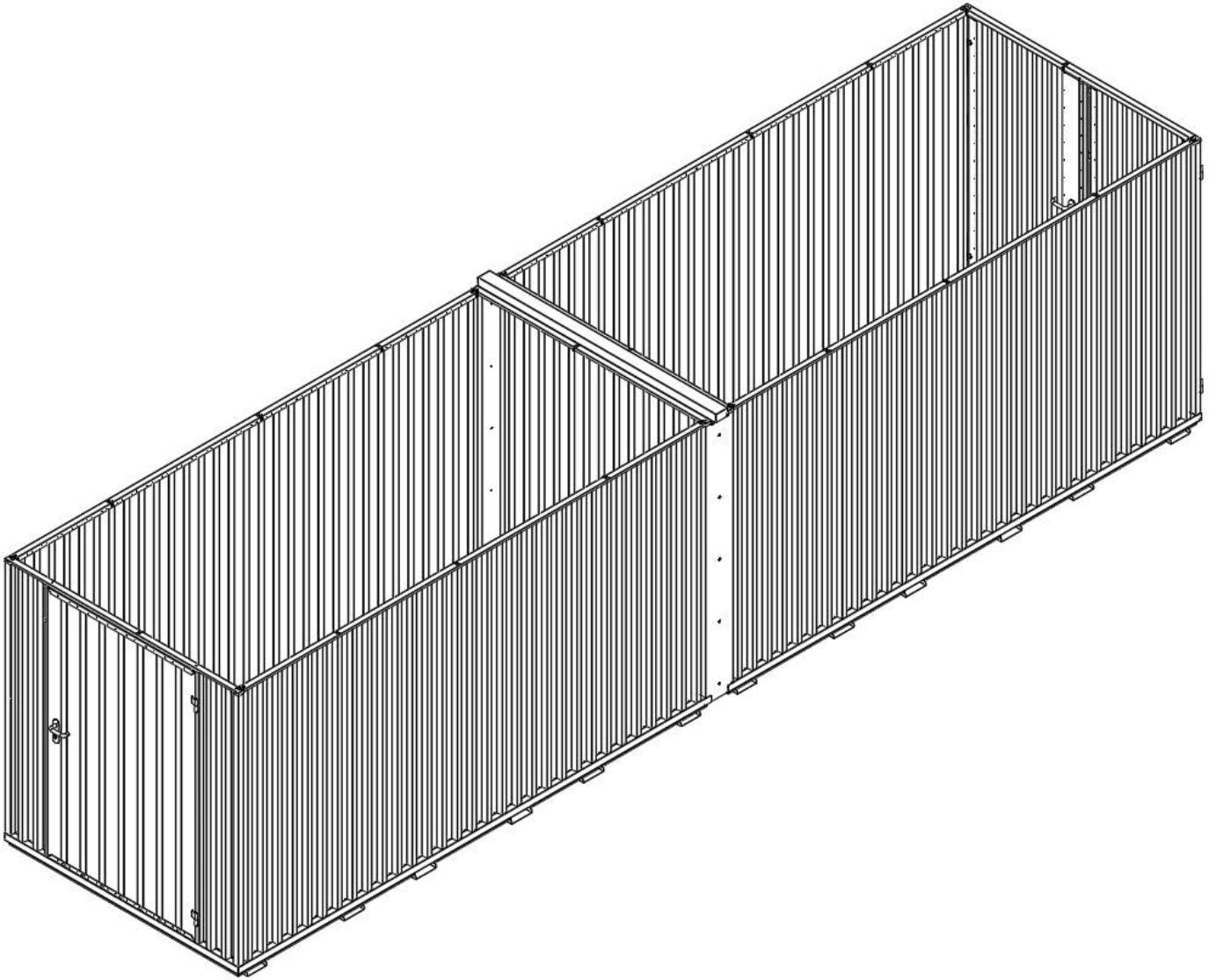
9











# 10

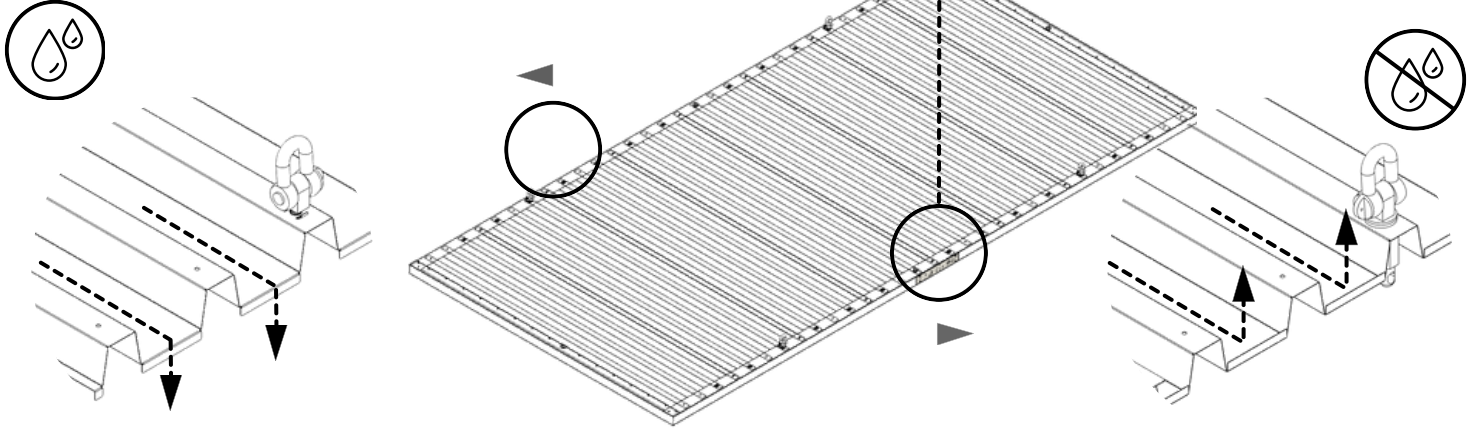


# 11

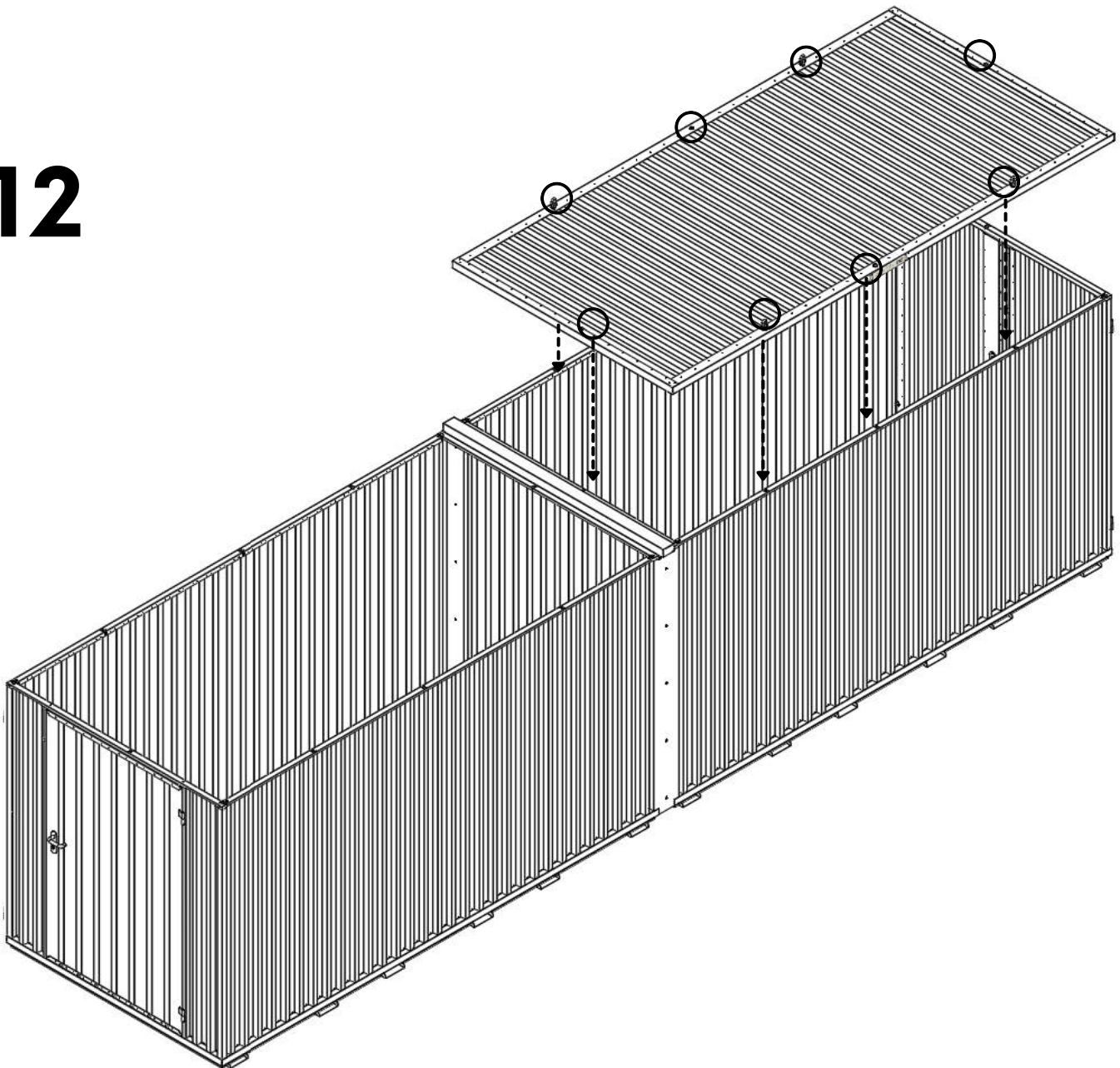




 823 KG	 1640 MM	Model Code: 4040.110.320.331 Production Tracking Code: ...../X09.1.4040.320.331	  	 	
---	--	---	---	---	---

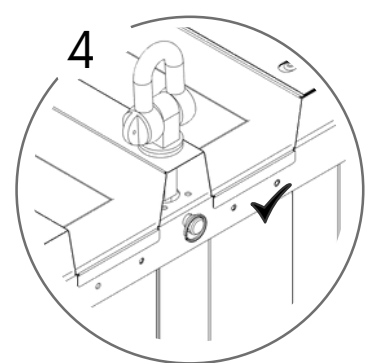
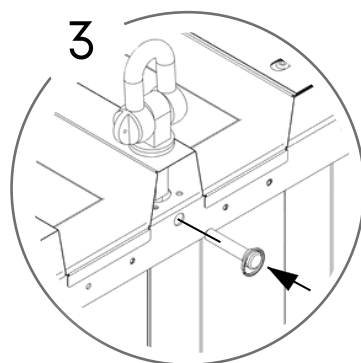
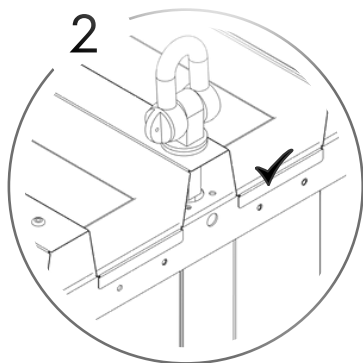
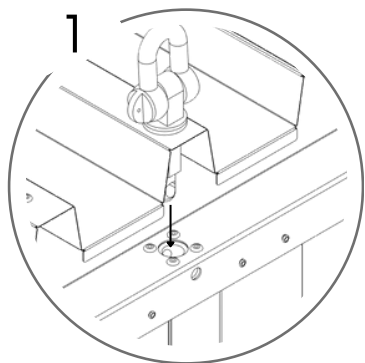
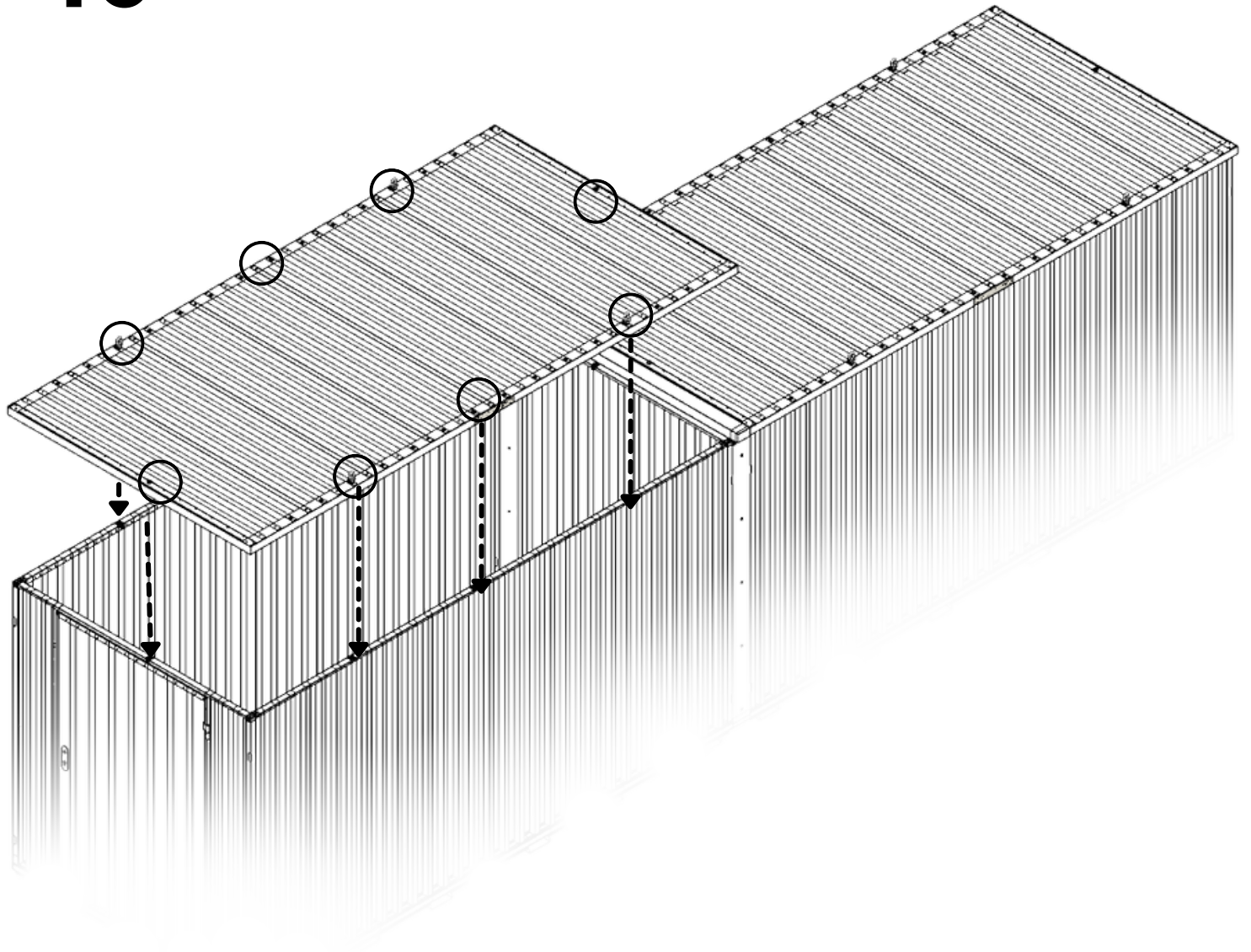


12

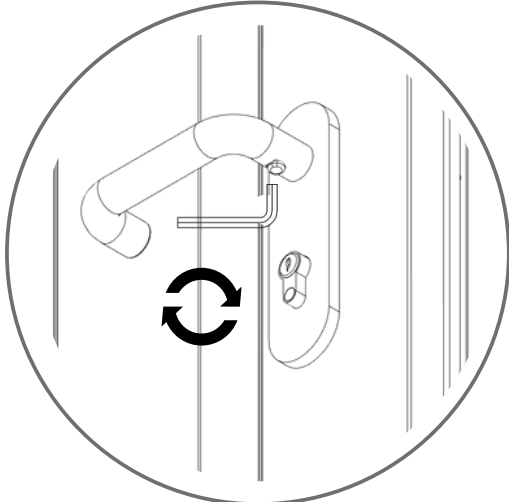
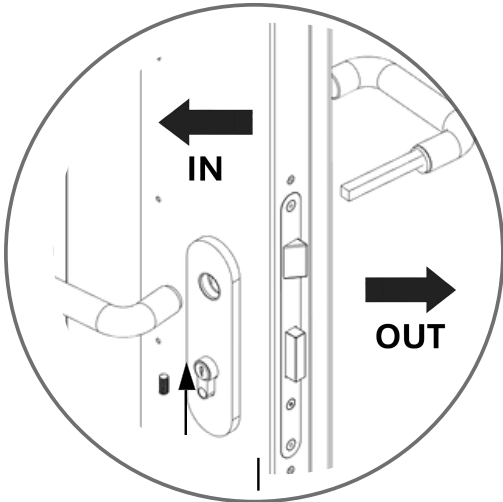
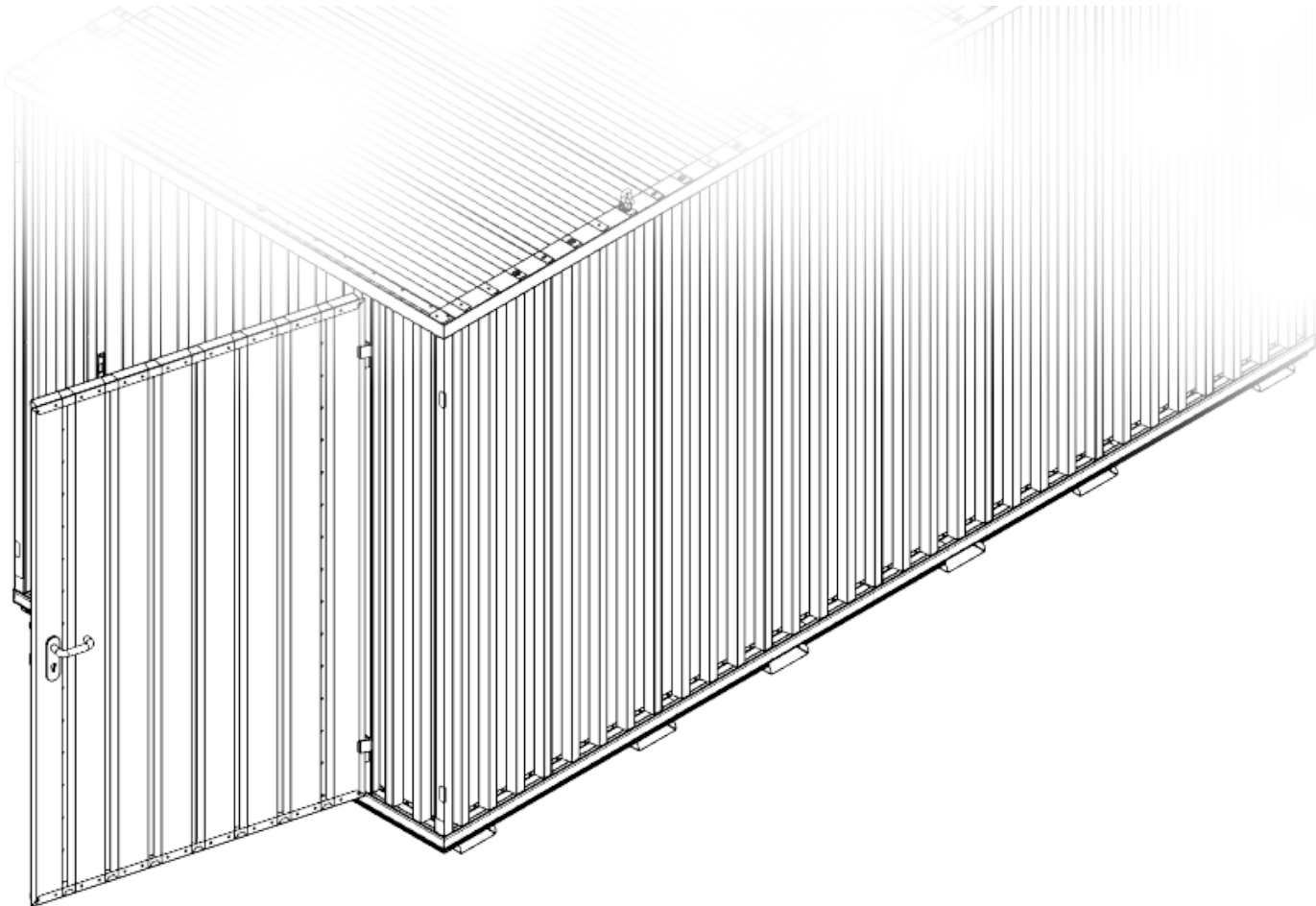




# 13



# 14



15

