

**PRODUCT CODE:40.110.450**

**prefabase**  
Quick Build Solutions

Instructions and User Guide



40.0110  
1x

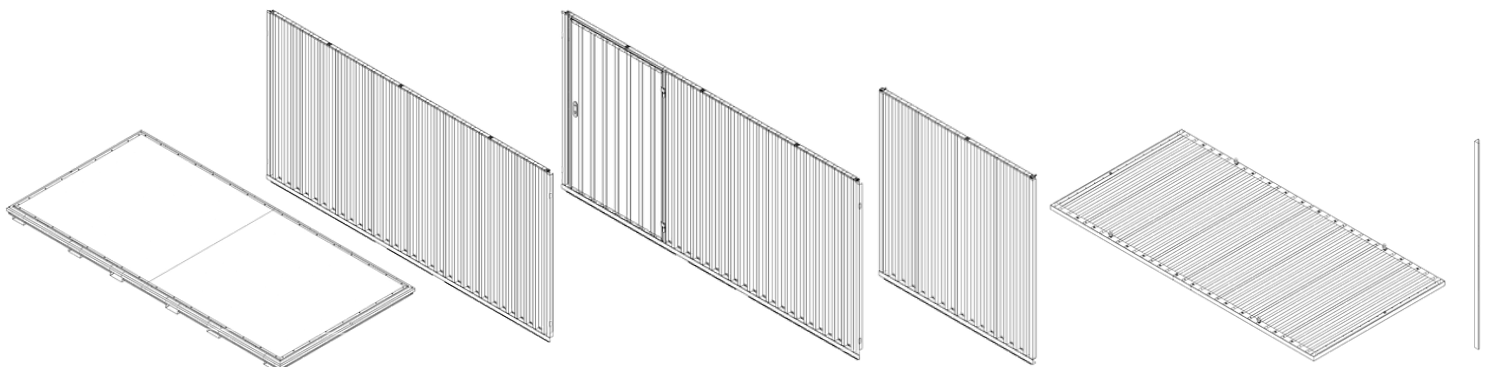
40.0410  
1x

40.0450/0210  
1x

0310  
2x

40.0510  
1x

0099.61.101  
4x





12x



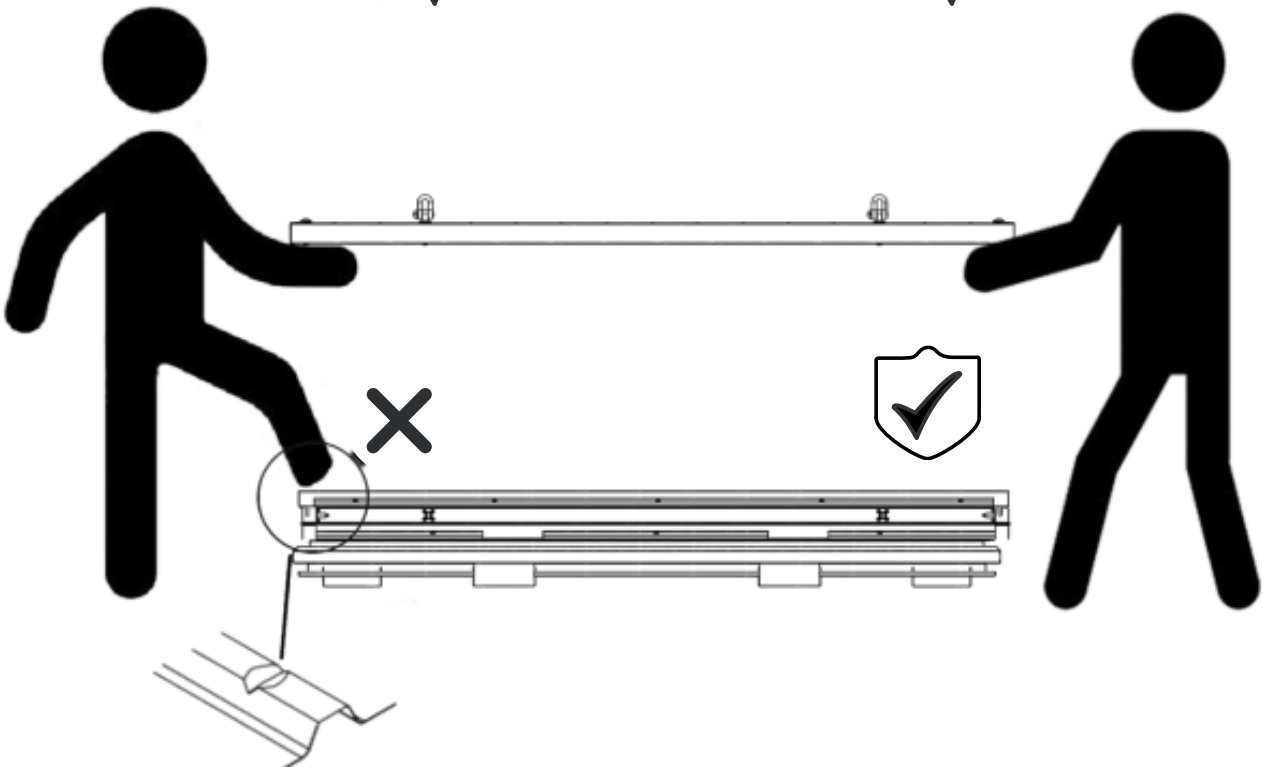
1x



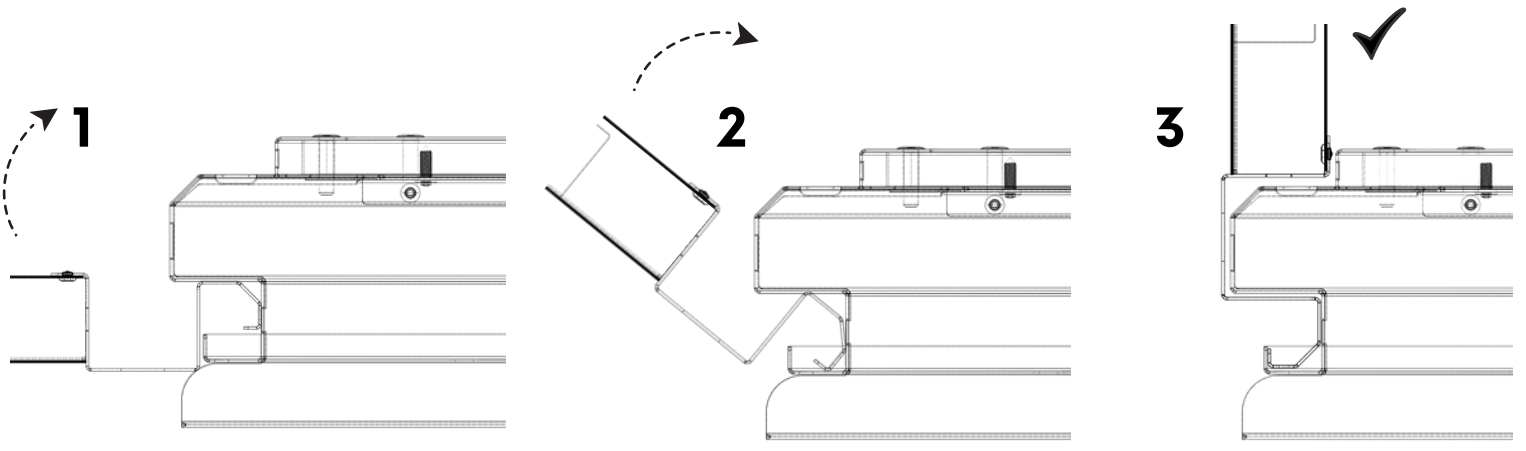
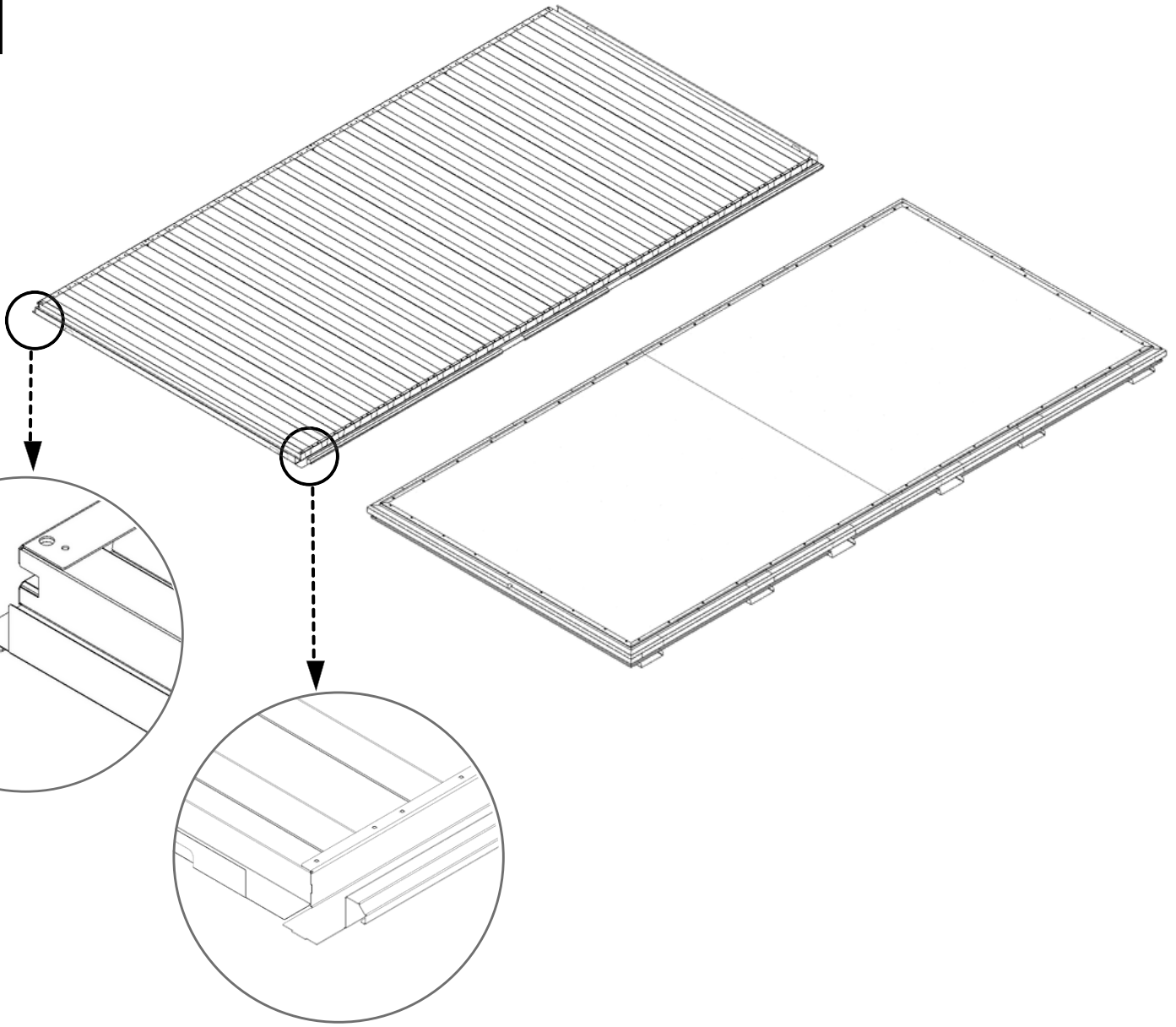
1x



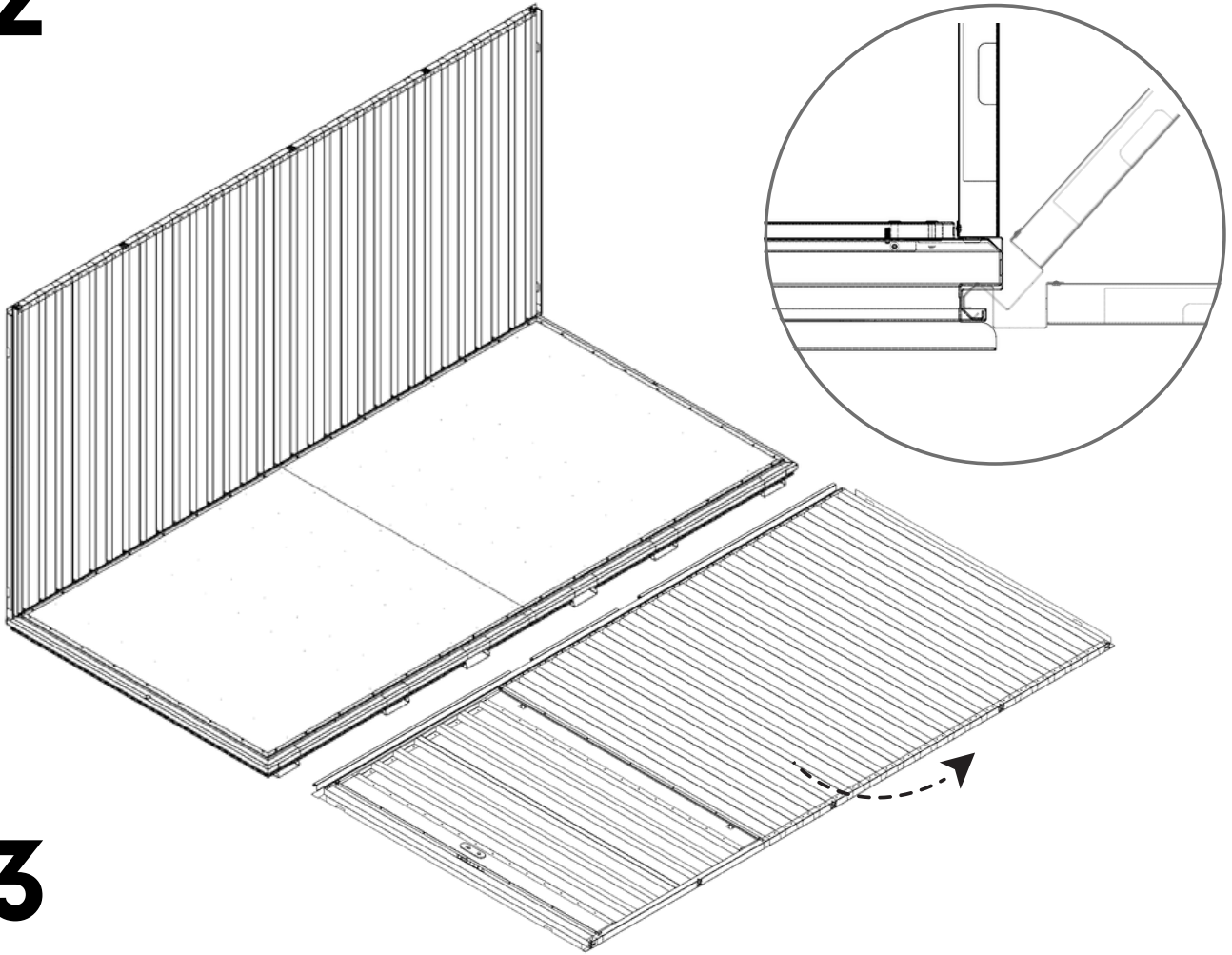
1x



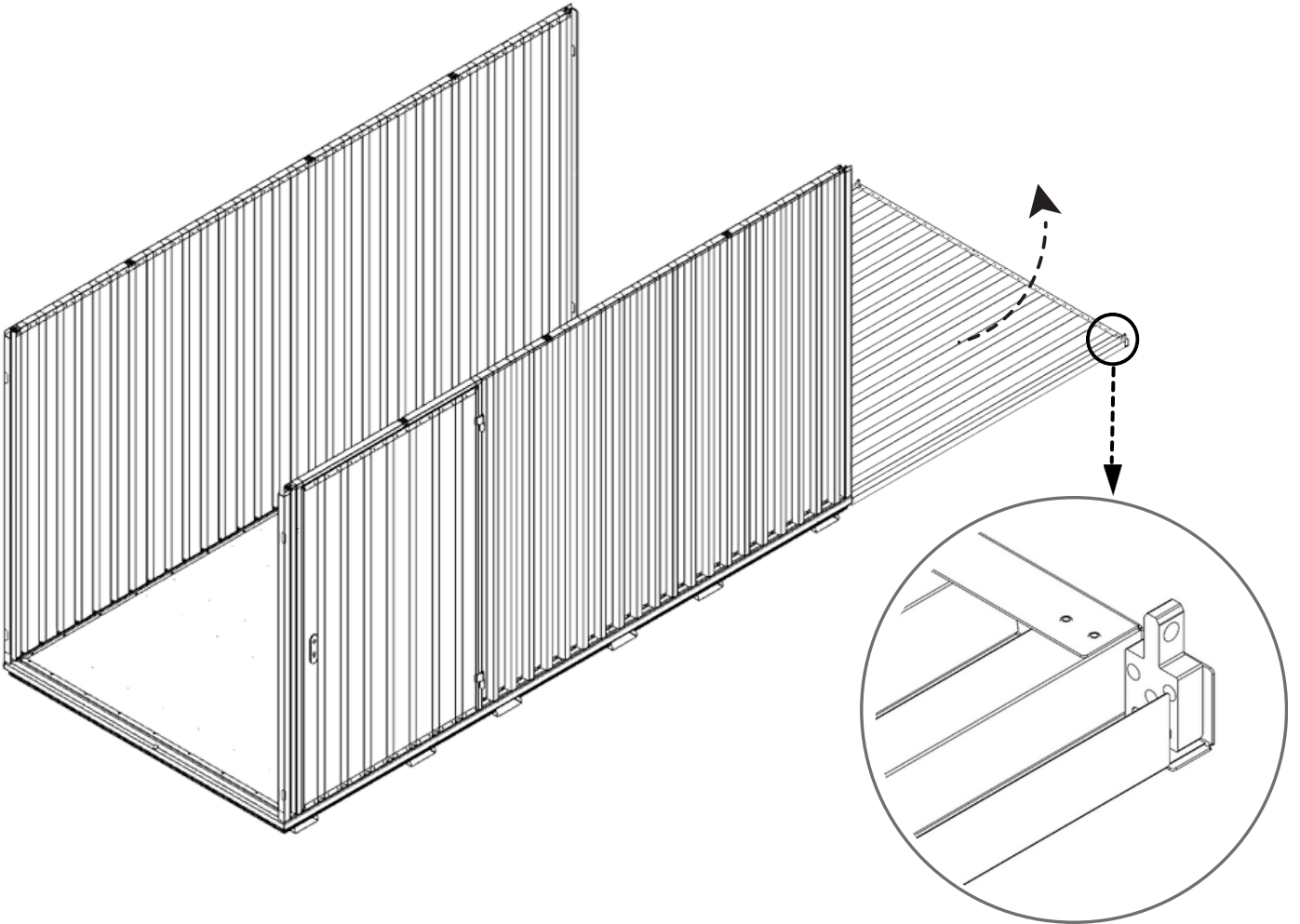
# 1



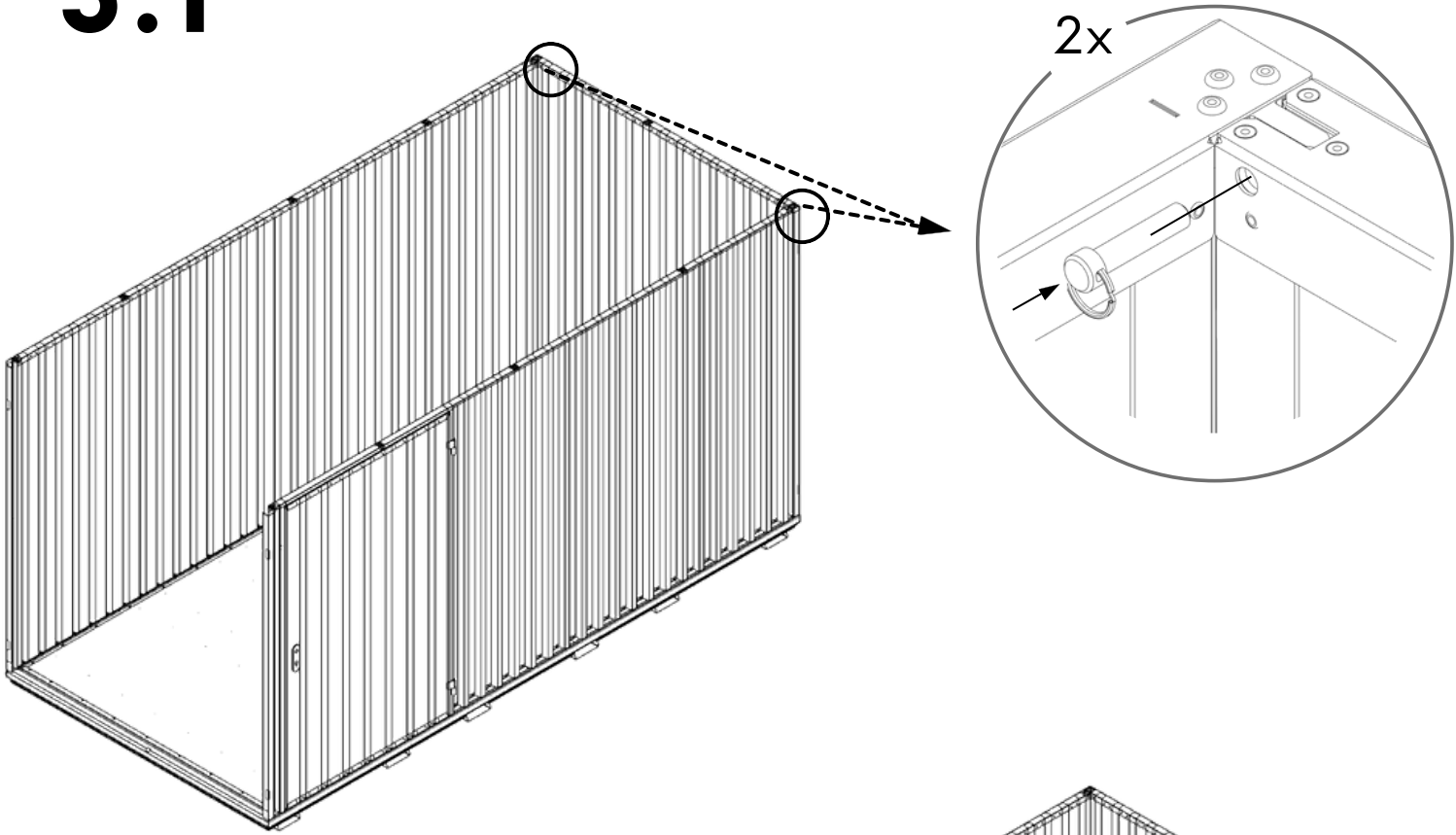
**2**



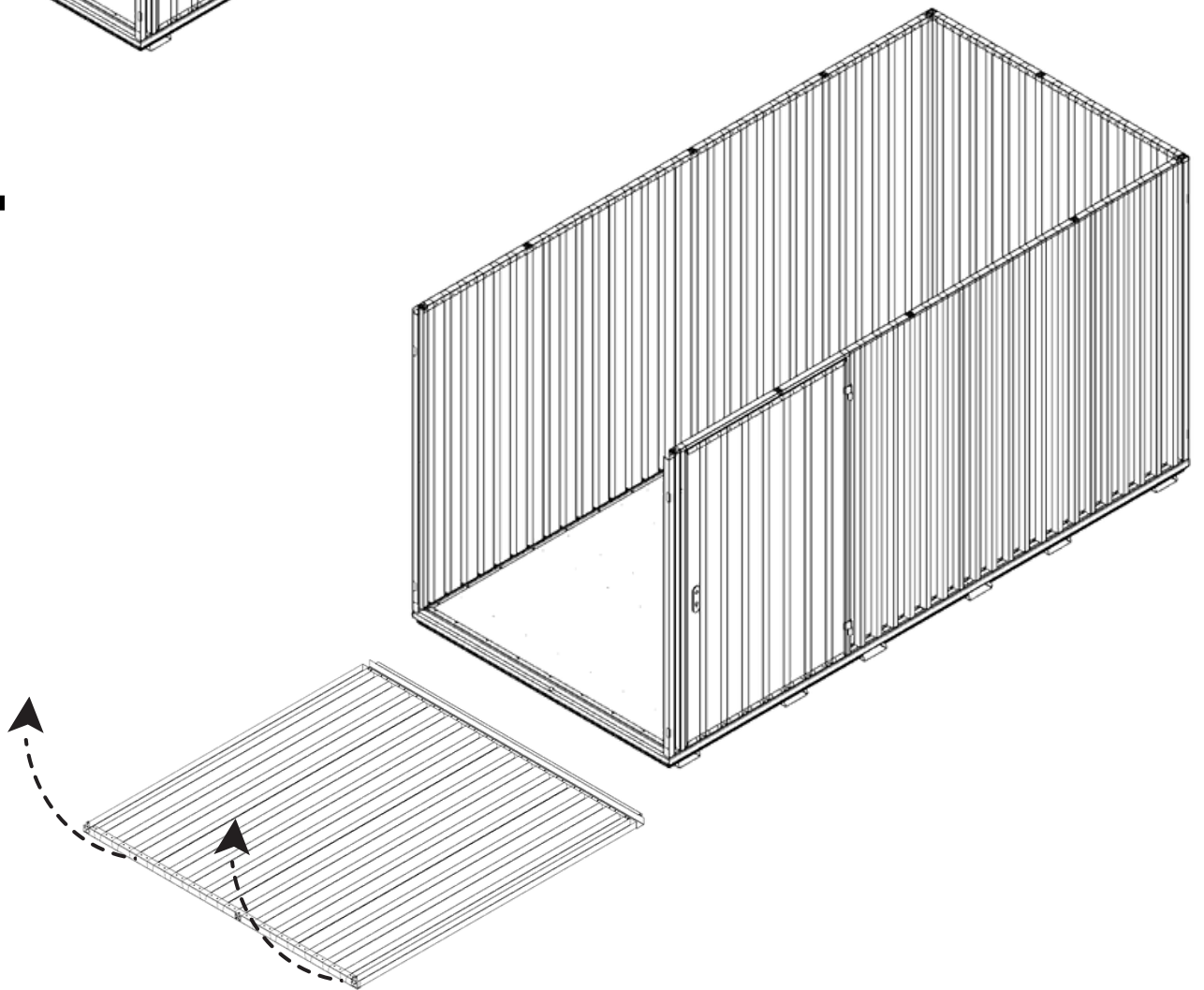
**3**



# 3.1

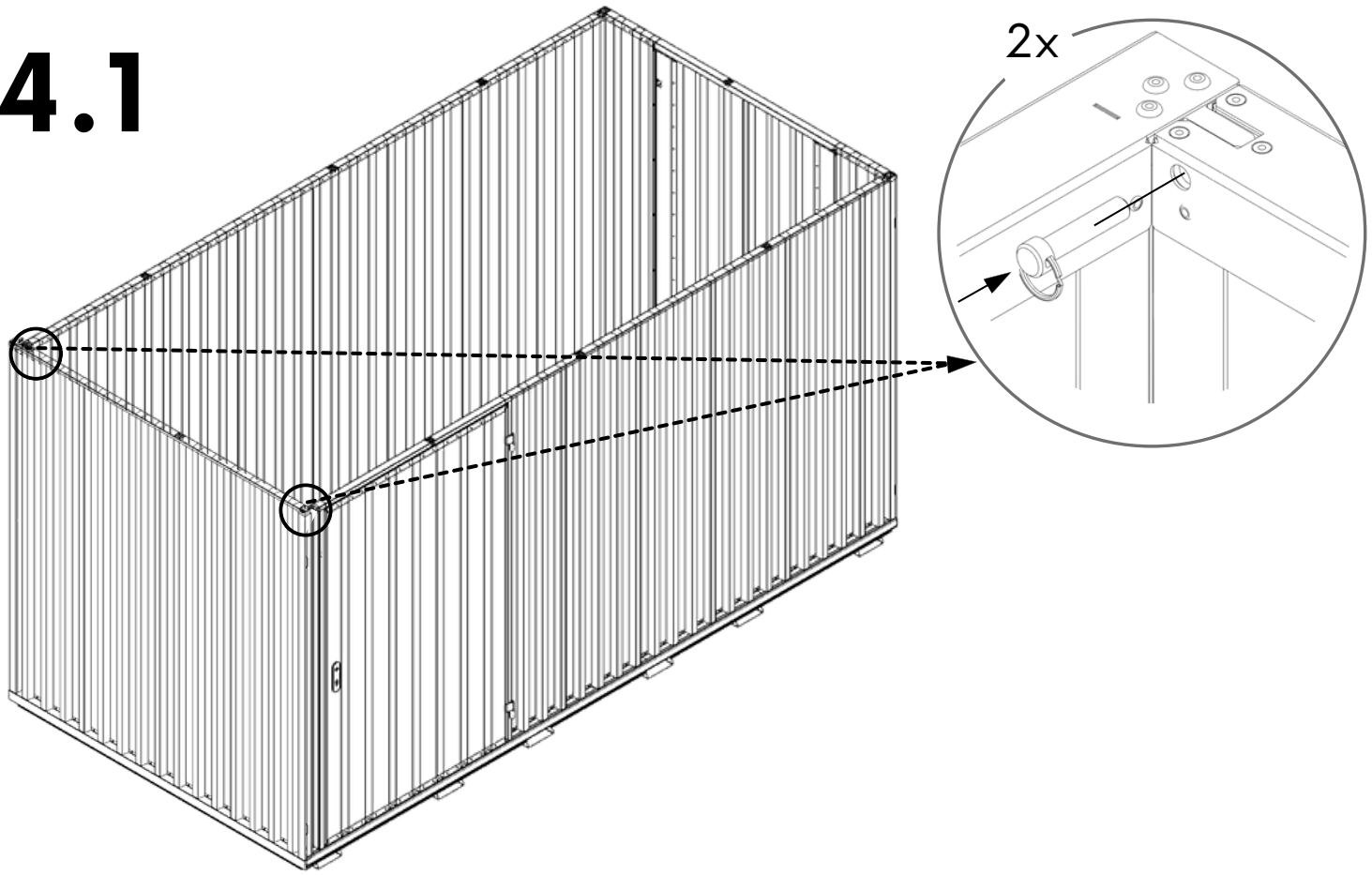











# 4

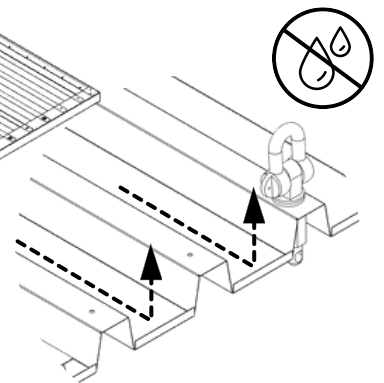
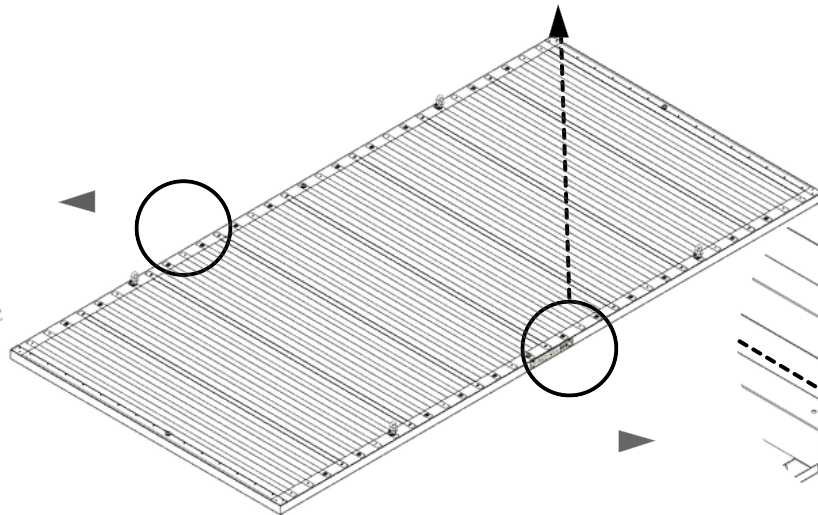
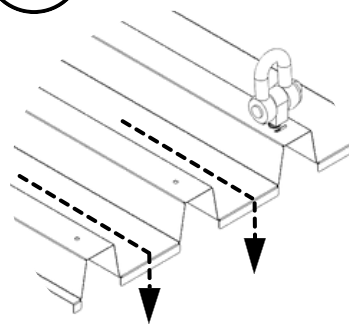




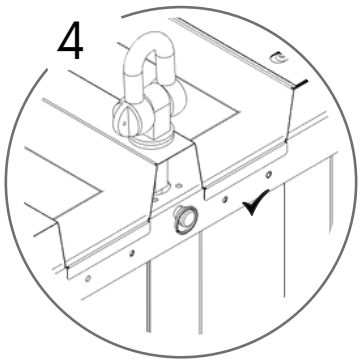
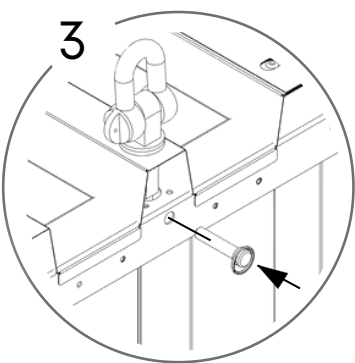
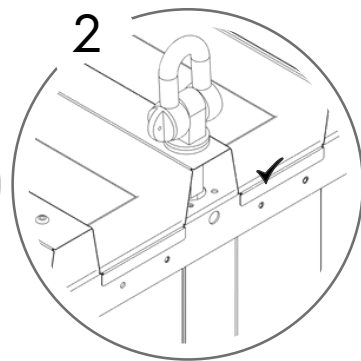
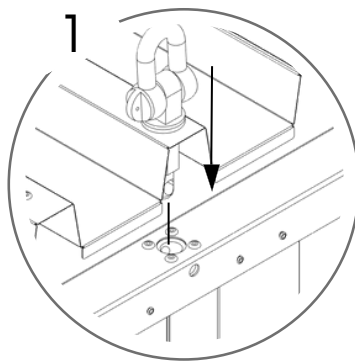
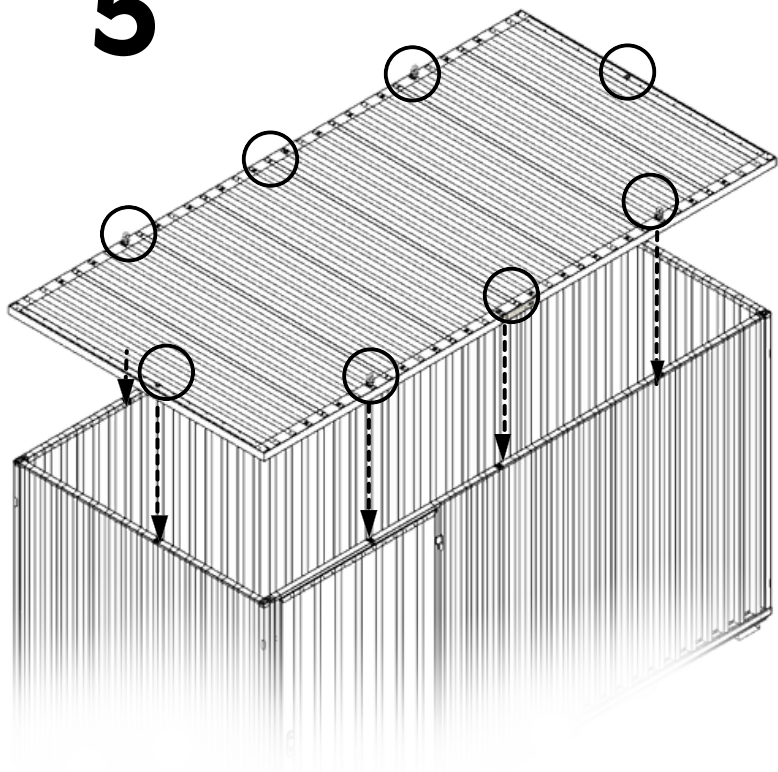
# 4.1



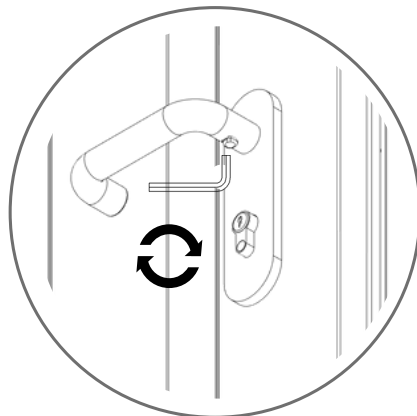
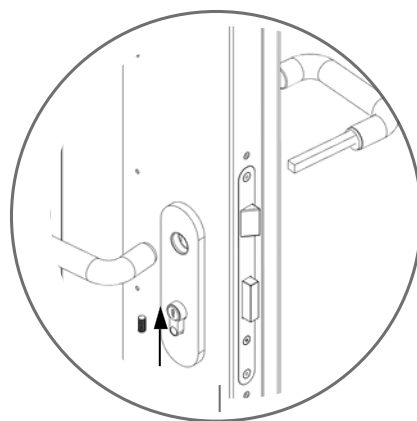
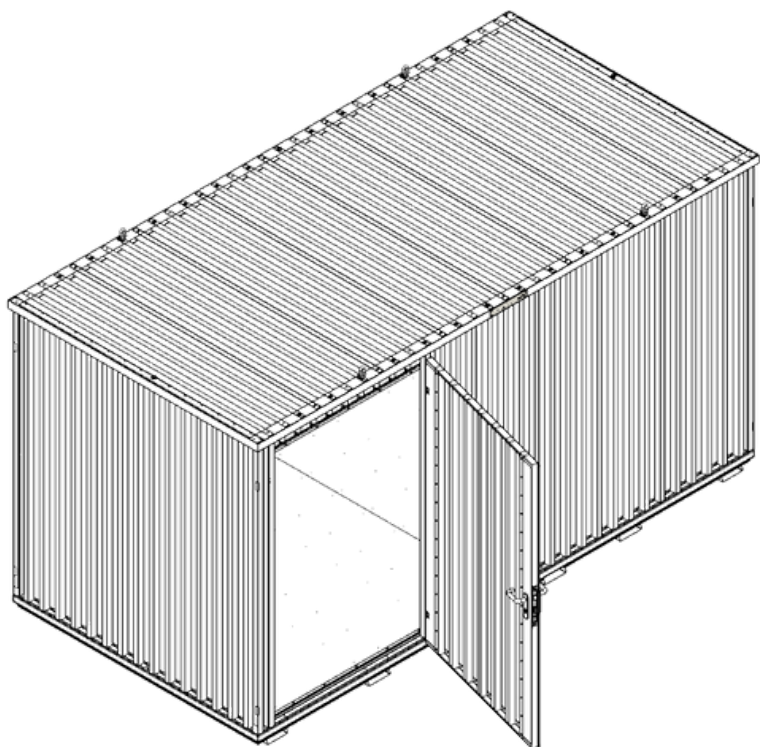
 336 KG	 3 TON	 1640 MM	Model Code: 30.110.440 Production Tracking Code: .....X09.1.30.440  9001  14001  50001	  
---	--	--	---	---



# 5



# 6



7

