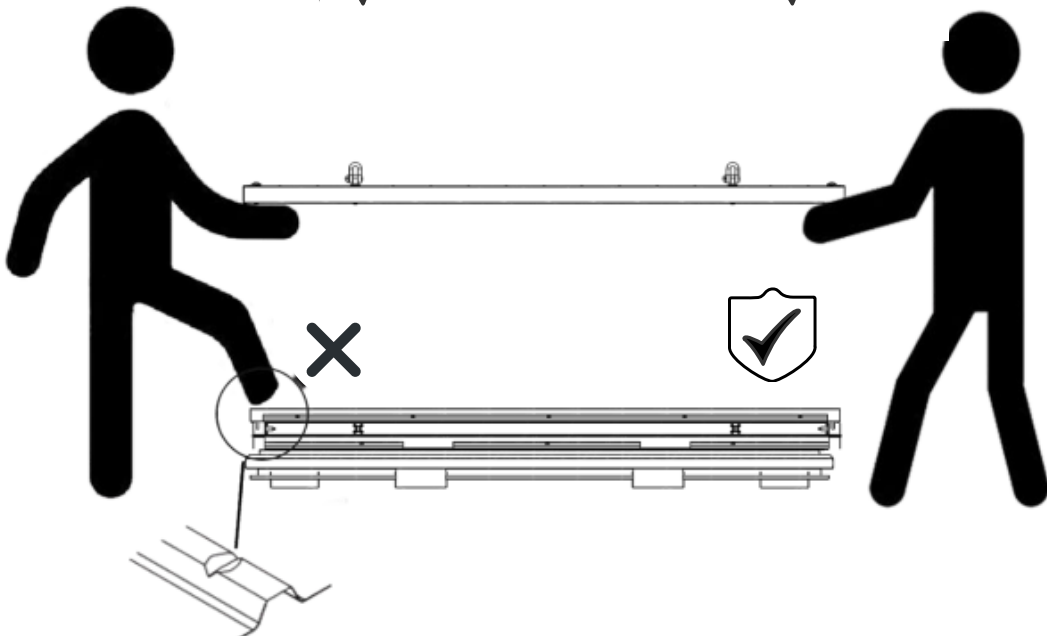
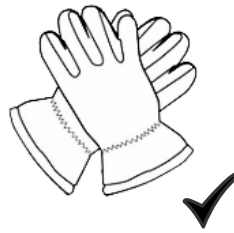
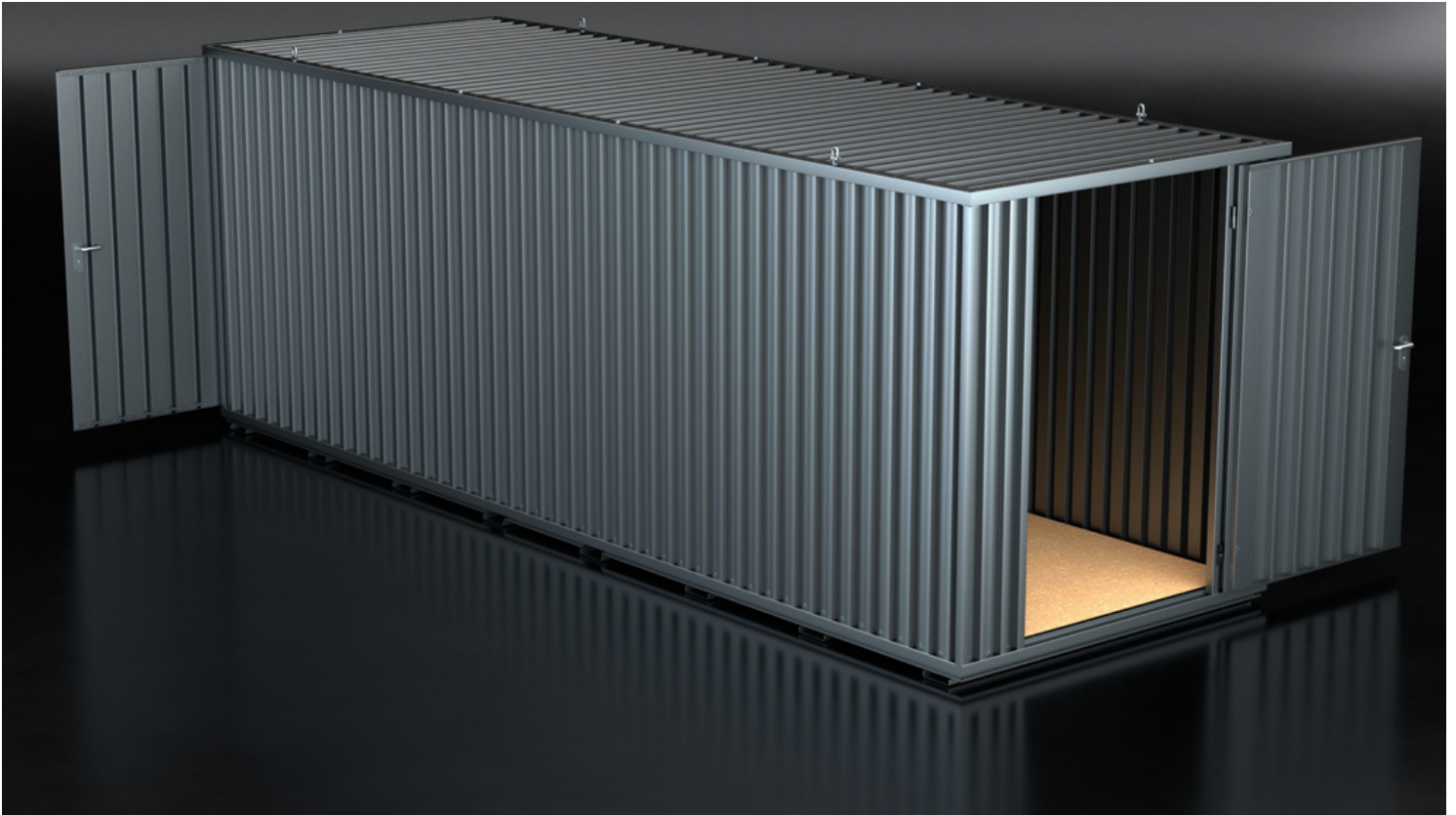


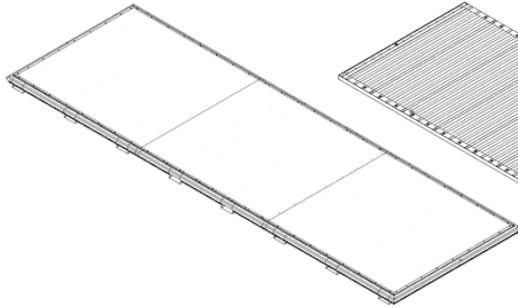
PRODUCT CODE:60.110.320.321

prefabase
Quick Build Solutions

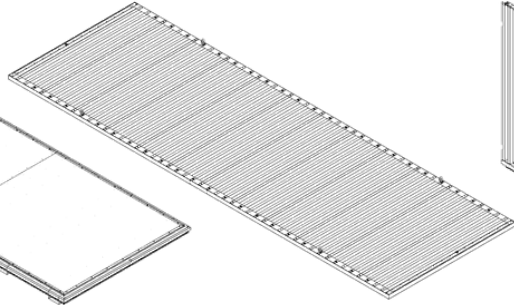
Instructions and User Guide



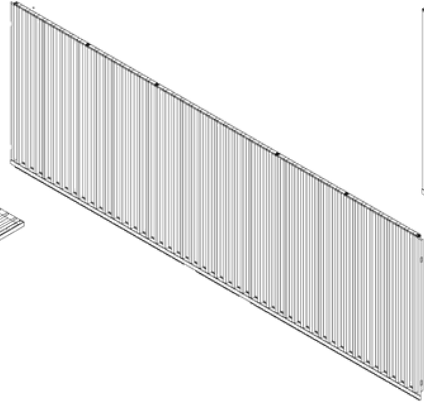
60.0110
1x



60.0510
1x



60.0410
2x



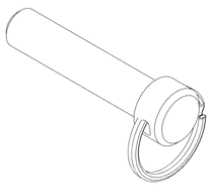
0320
2x



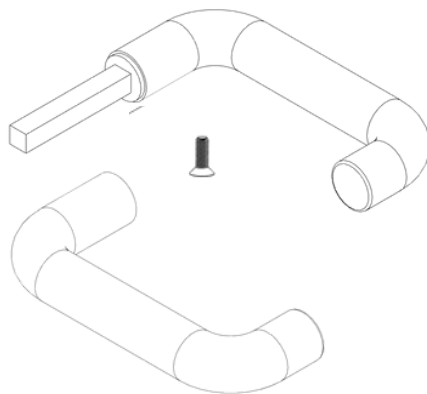
61.101
4x



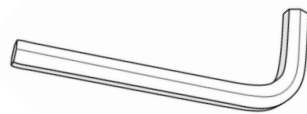
14x



2x



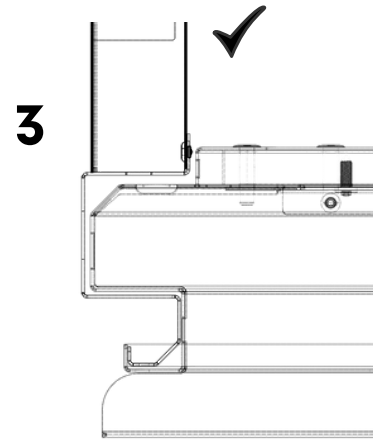
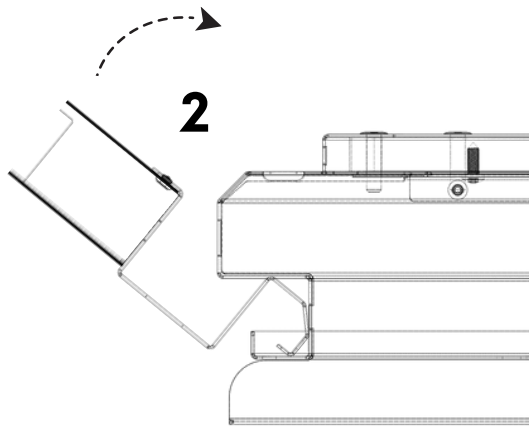
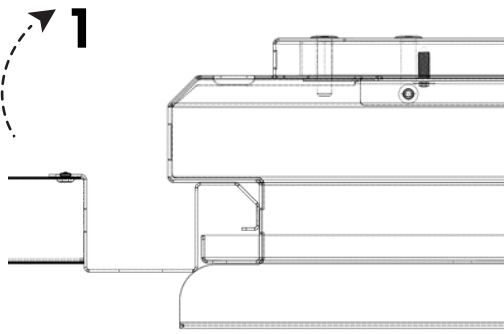
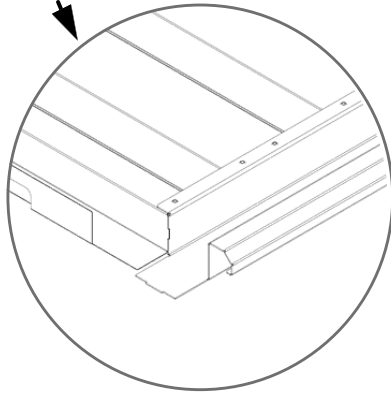
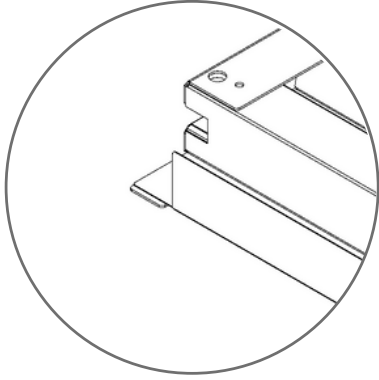
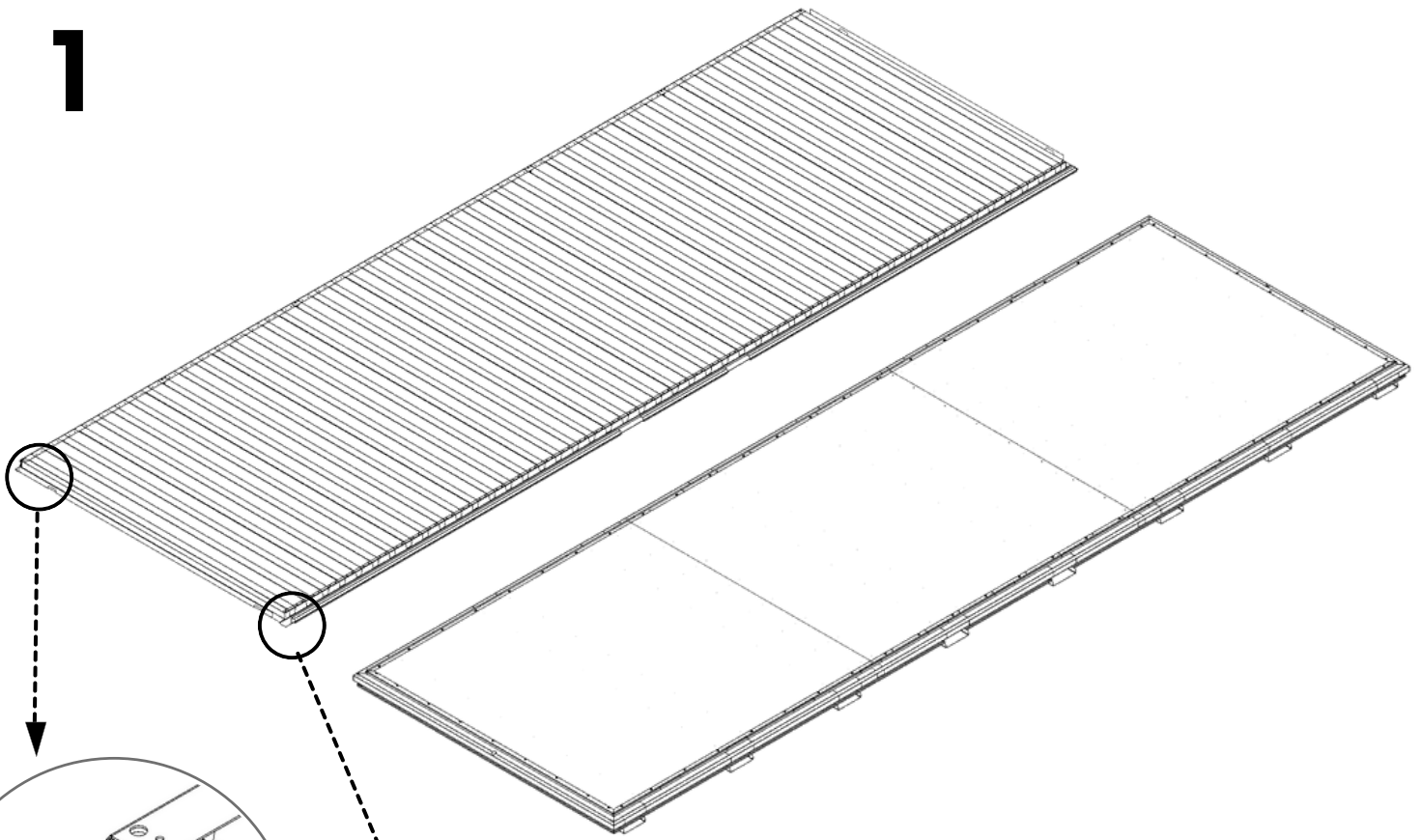
1x



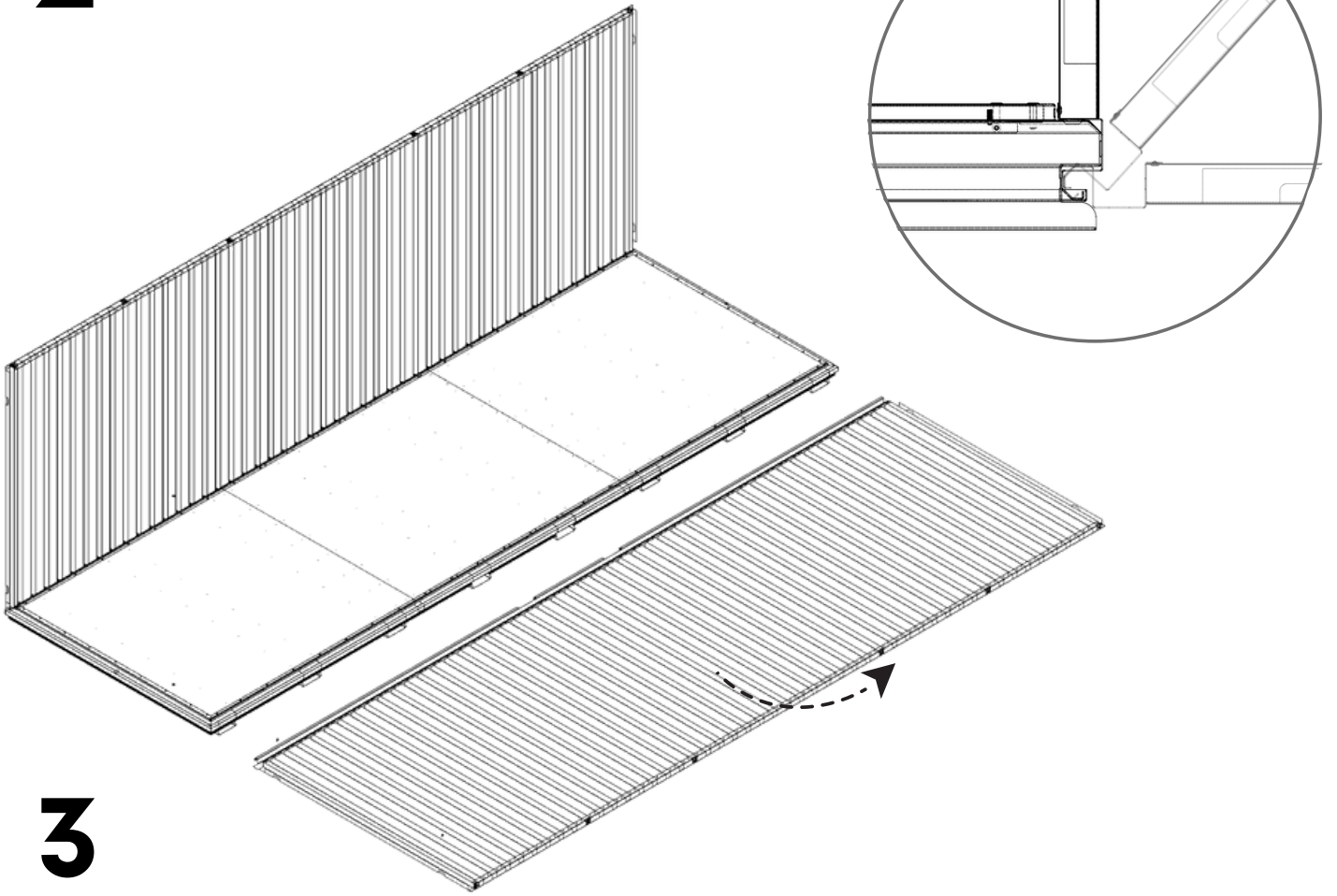
2x



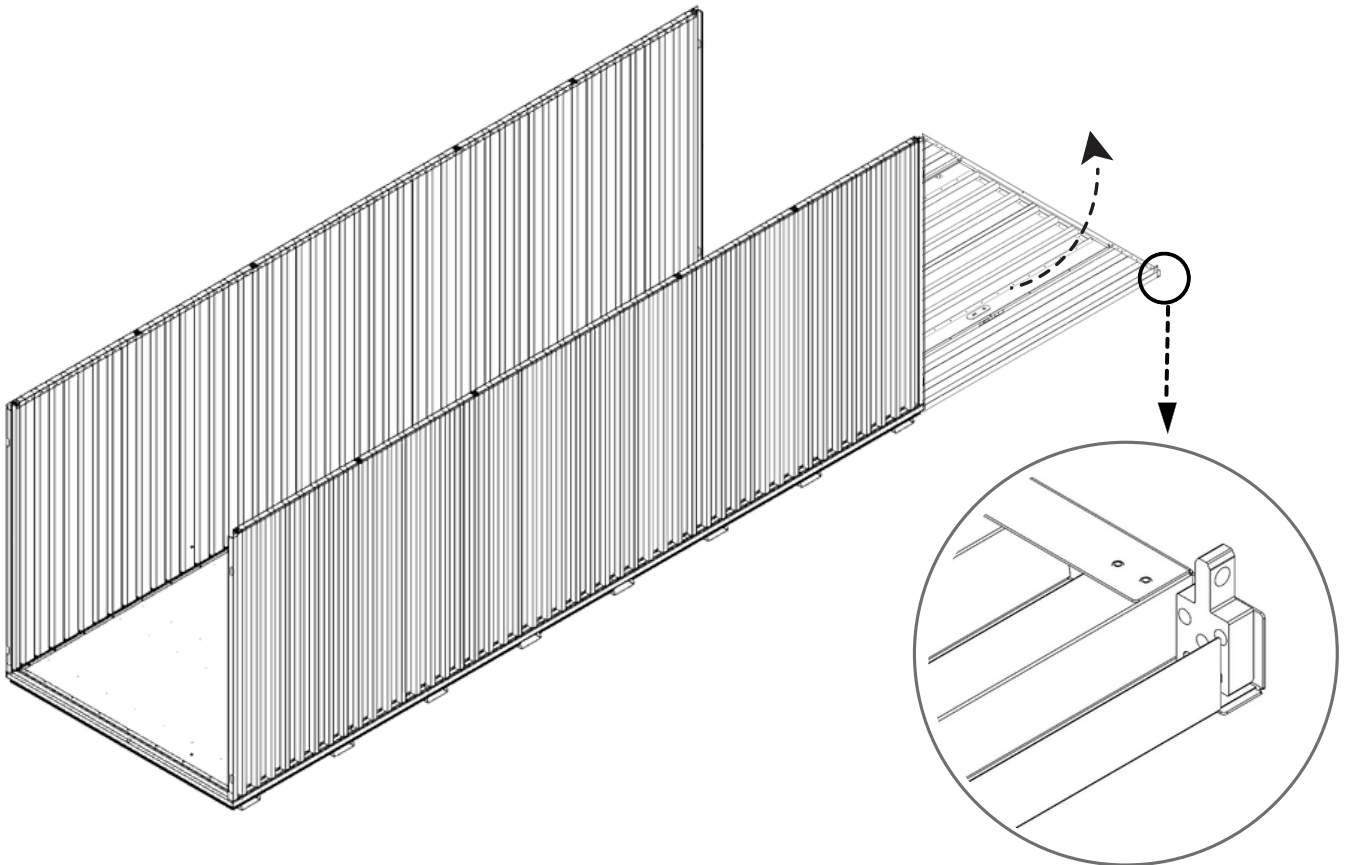
1



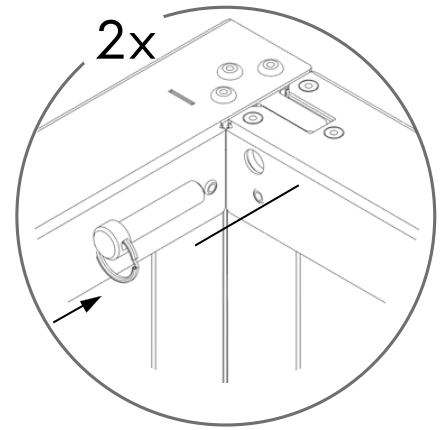
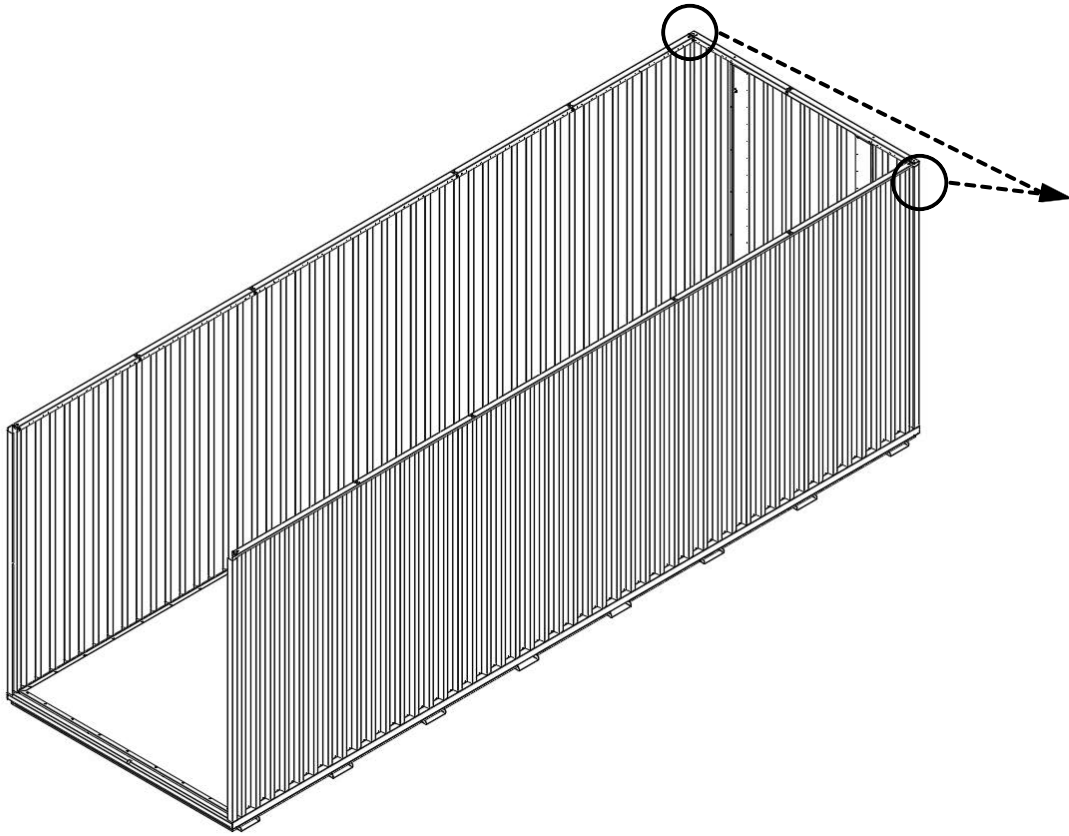
2



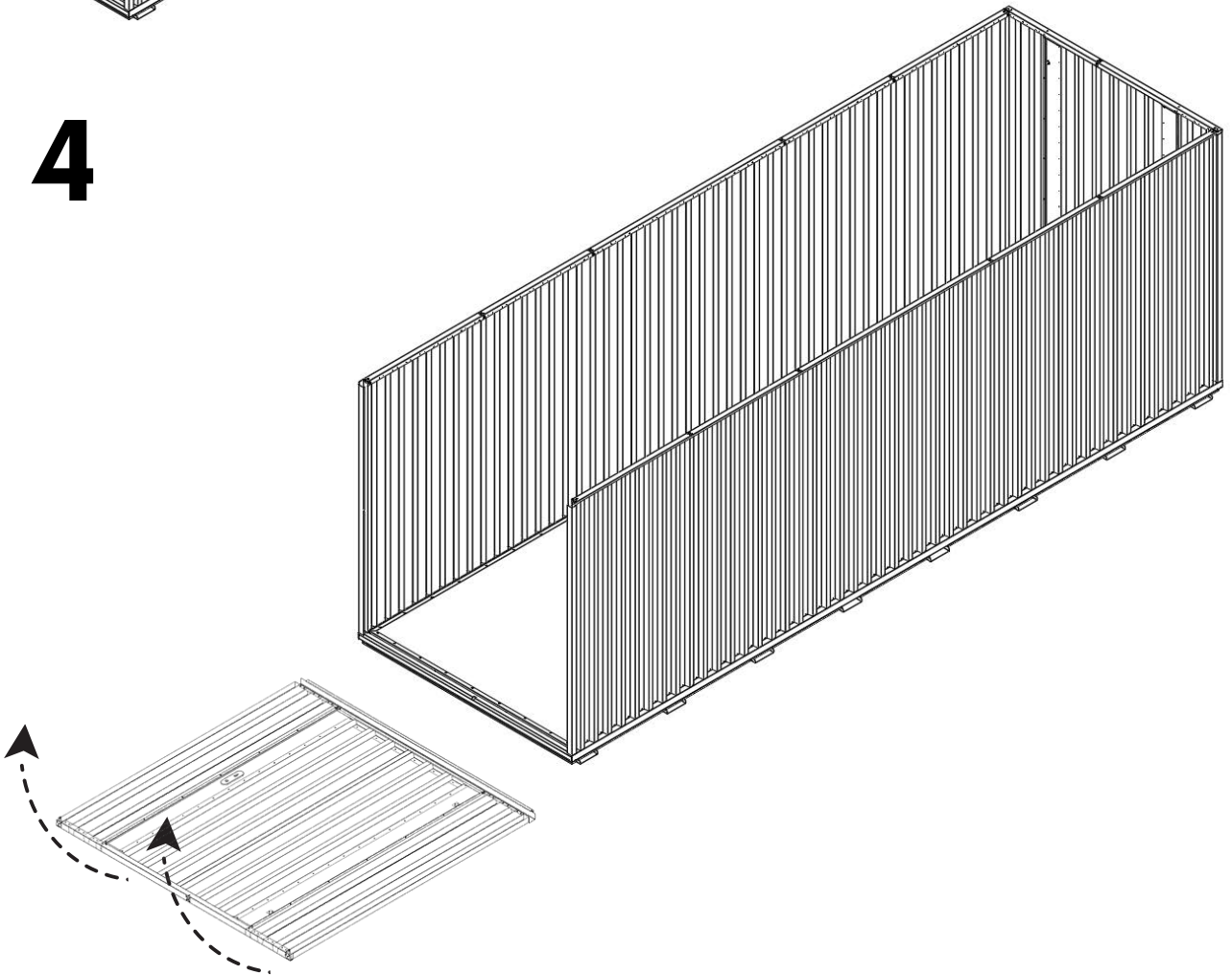
3



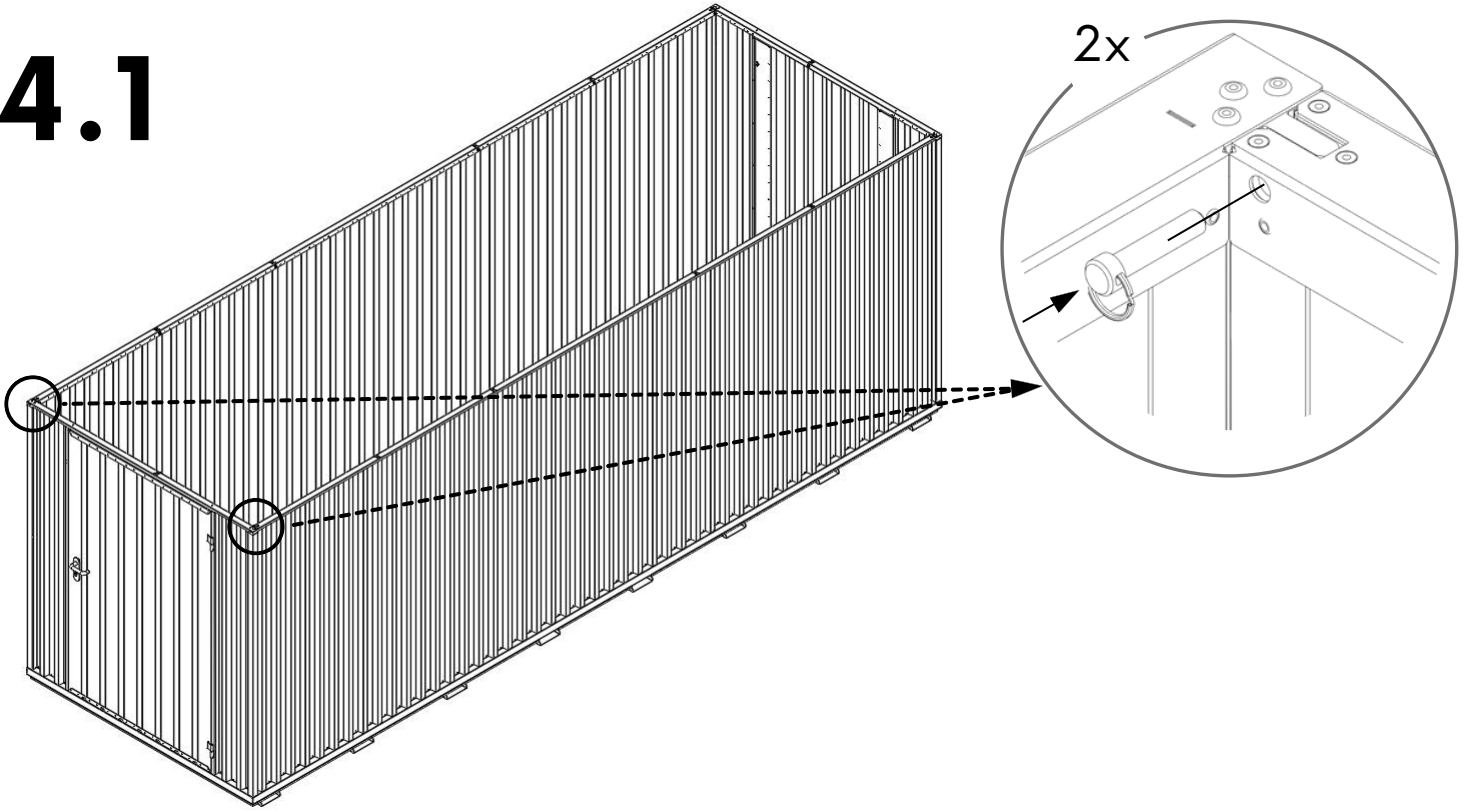
3.1











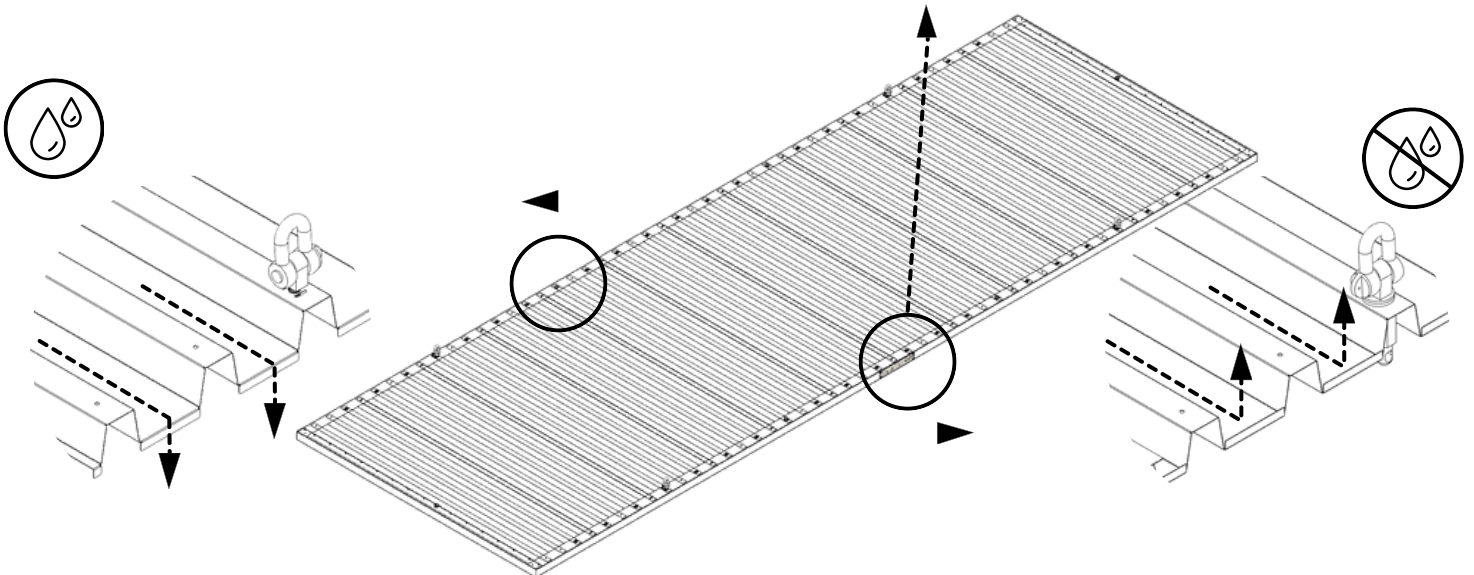
4



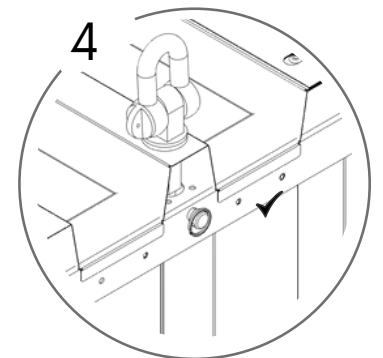
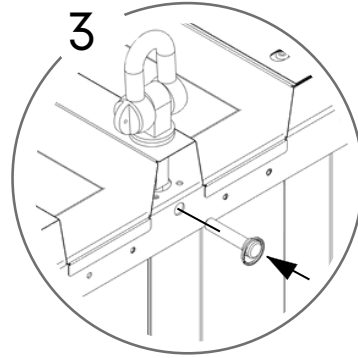
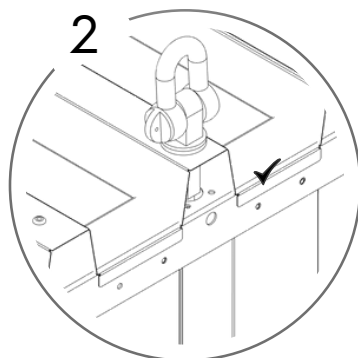
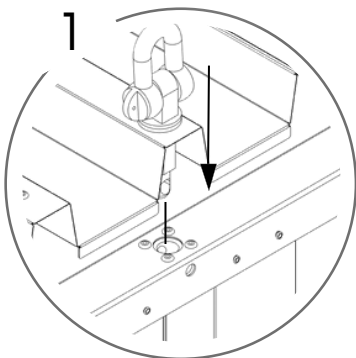
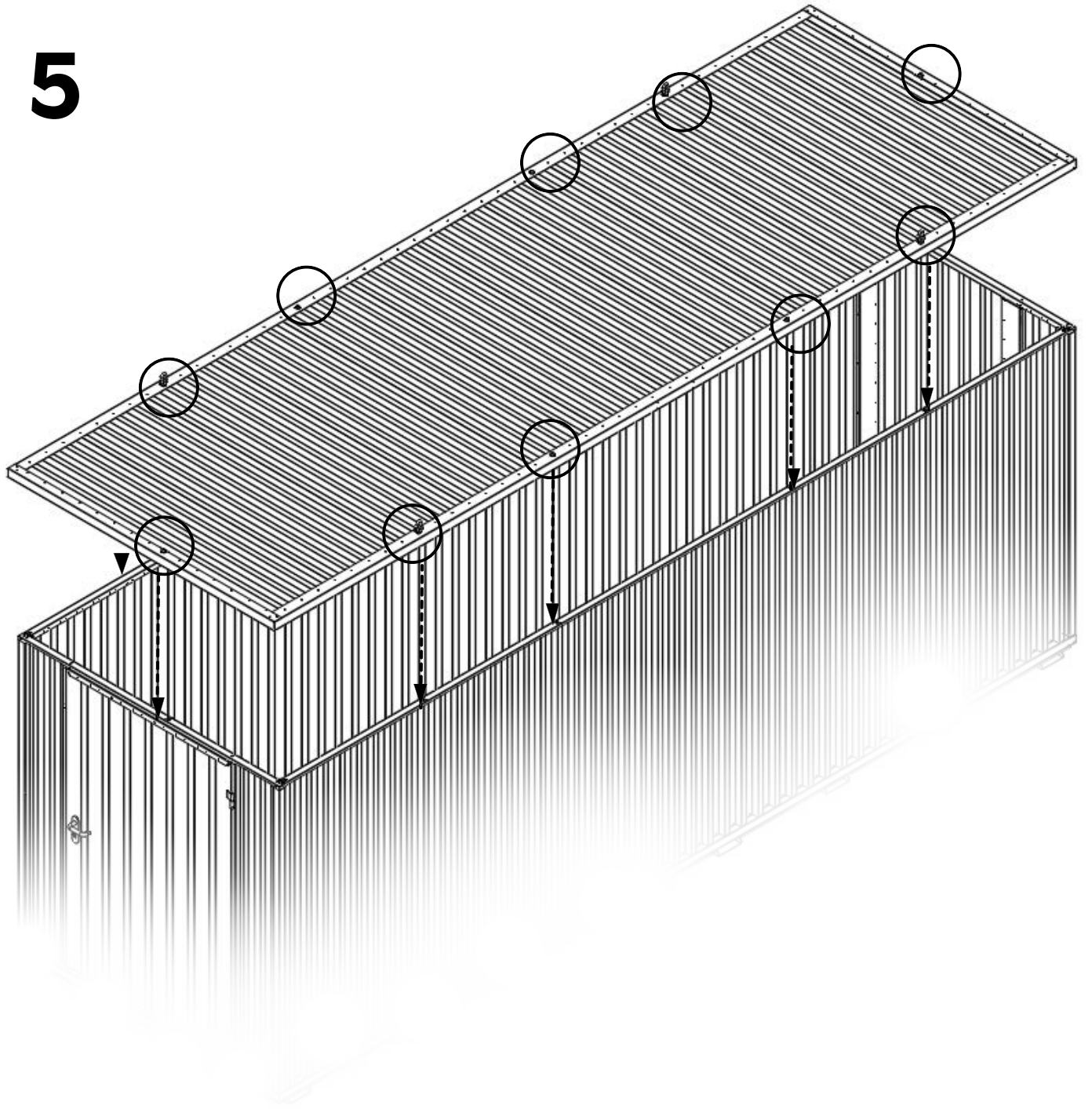
4.1



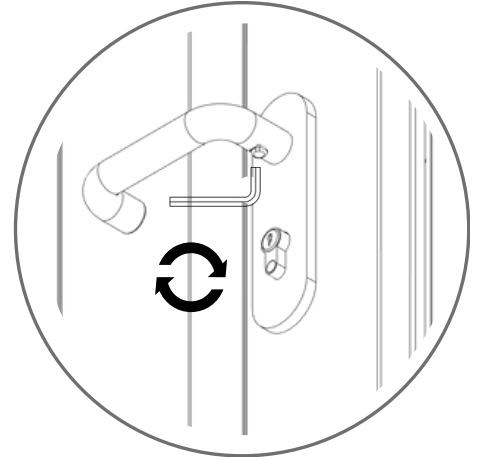
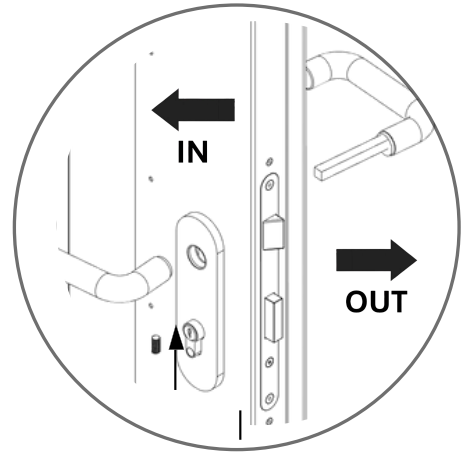
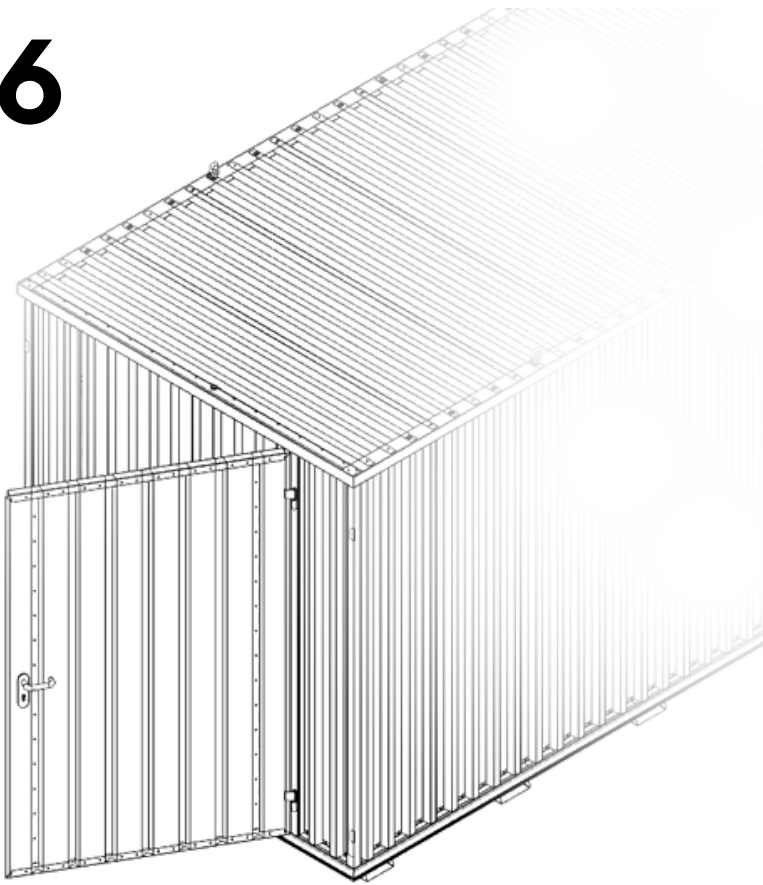
 594 KG	 1640 MM	Model Code: 60.110.320.321 Production Tracking Code:/X09.1.60.320.321  9001  14001  50001	 	
---	--	---	---	---



5



6



7

