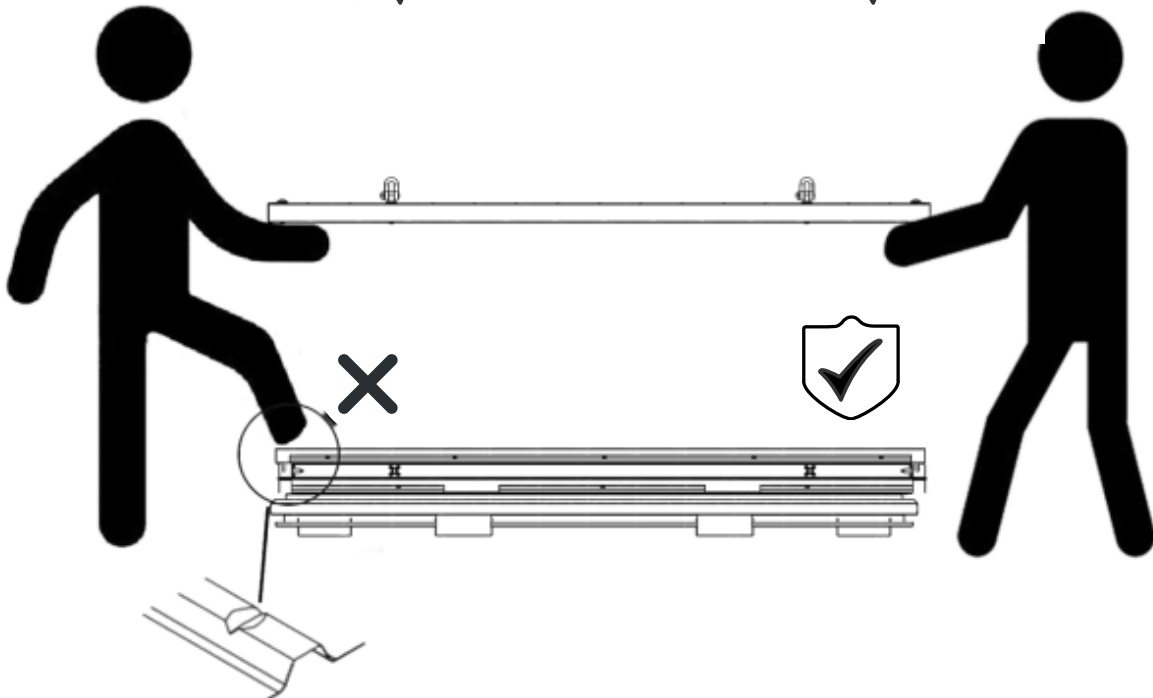
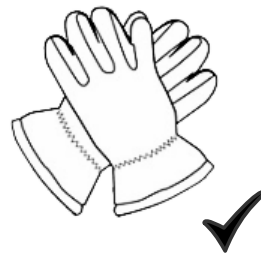
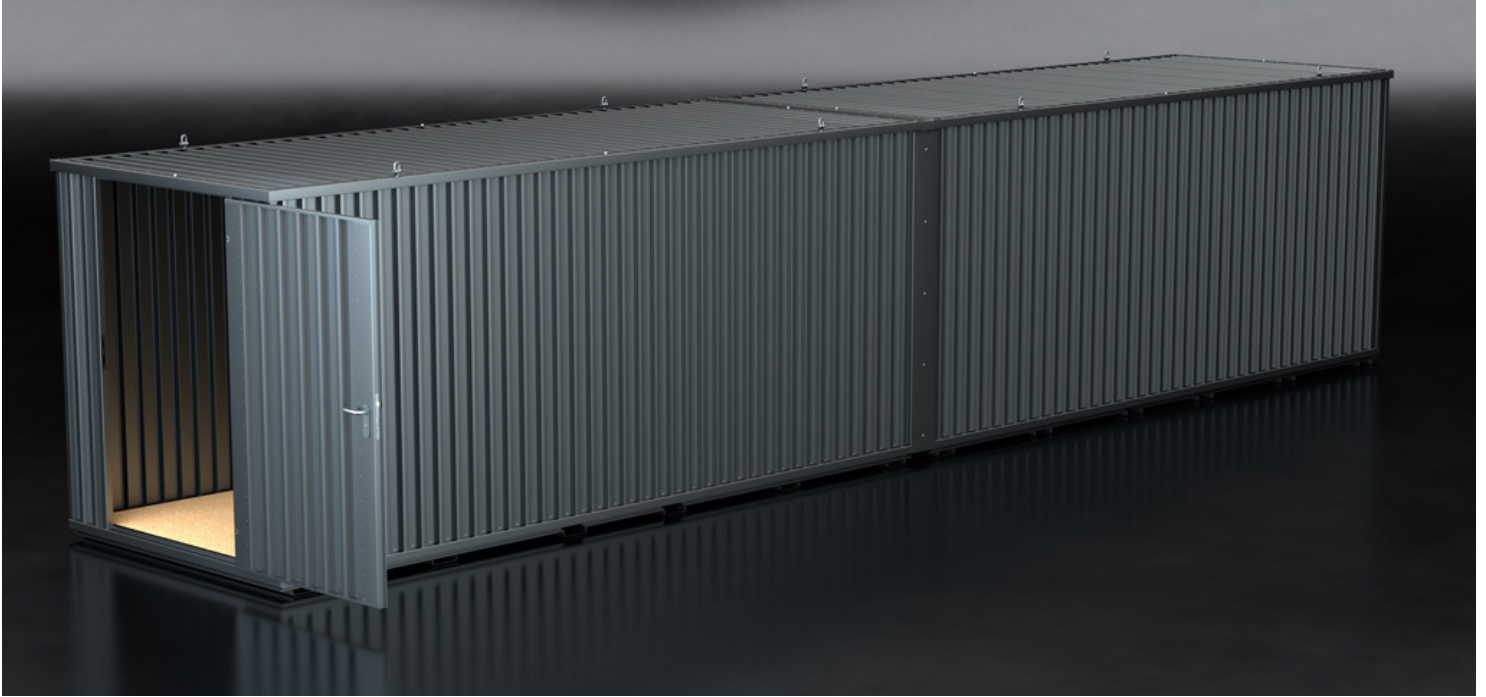


PRODUCT CODE:5050.110.320

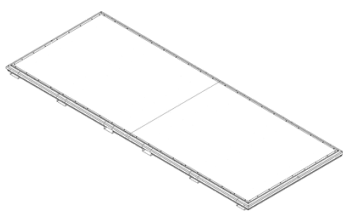
prefabase
Quick Build Solutions

Instructions and User Guide



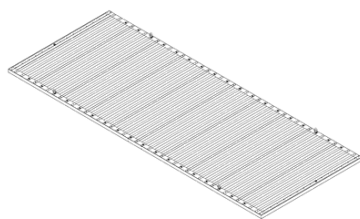
50.0110

2x



50.0510

2x



306.0110

1x



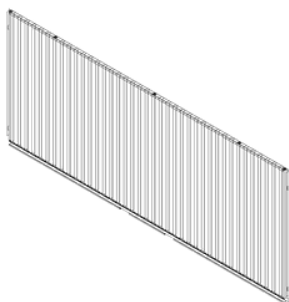
306.0510

1x



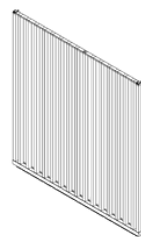
50.0410

4x



0310

1x



0320

1x



306.40.05

2x



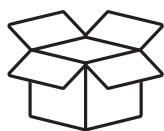
306.40.04

2x

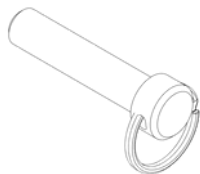


61.101

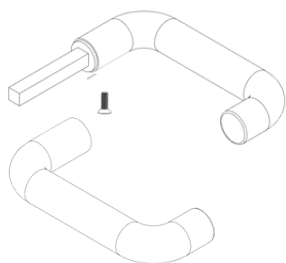
4x



24x



1x



10x



10x



10x



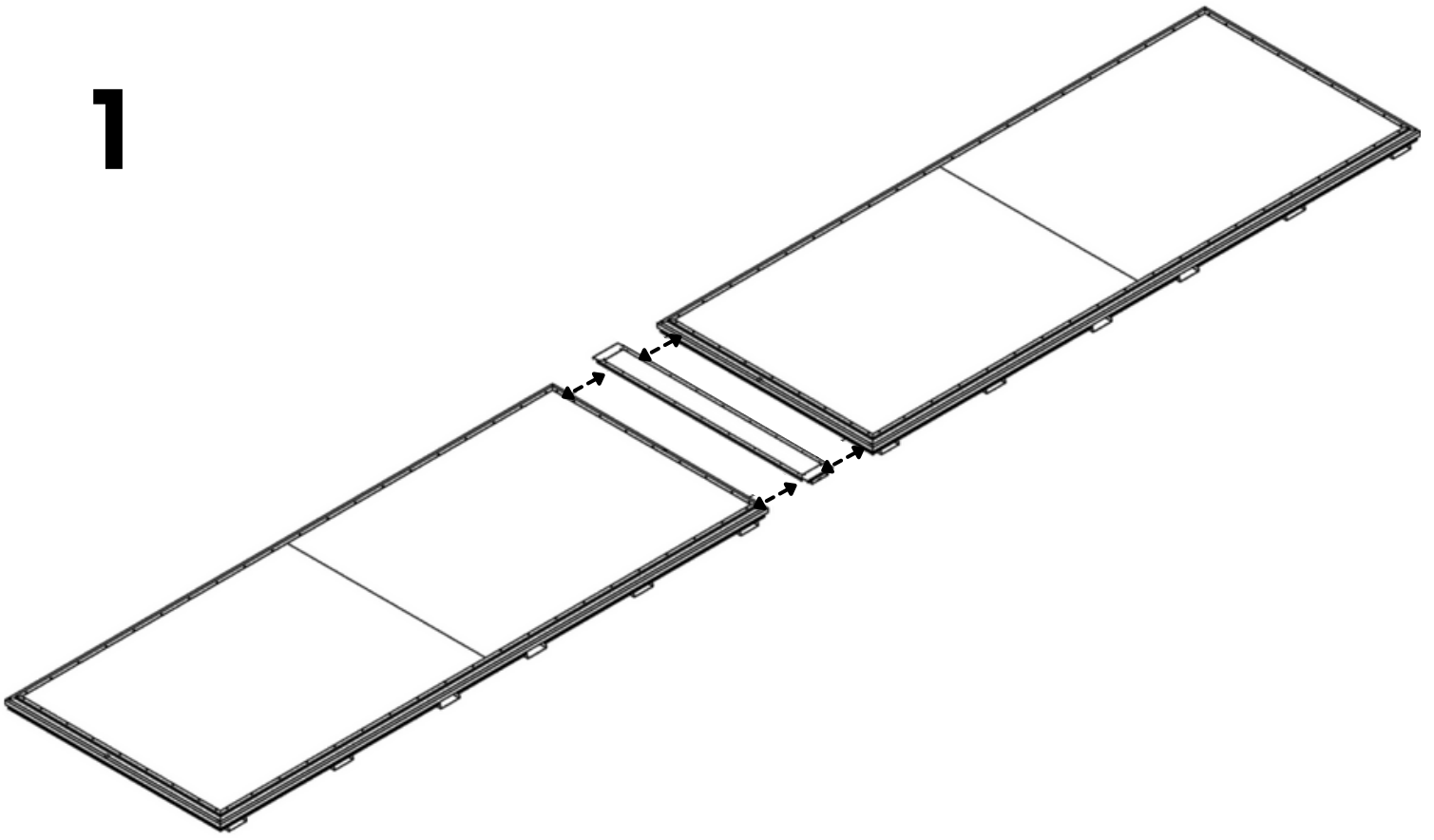
1x



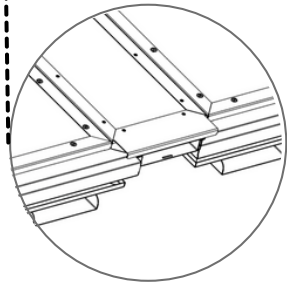
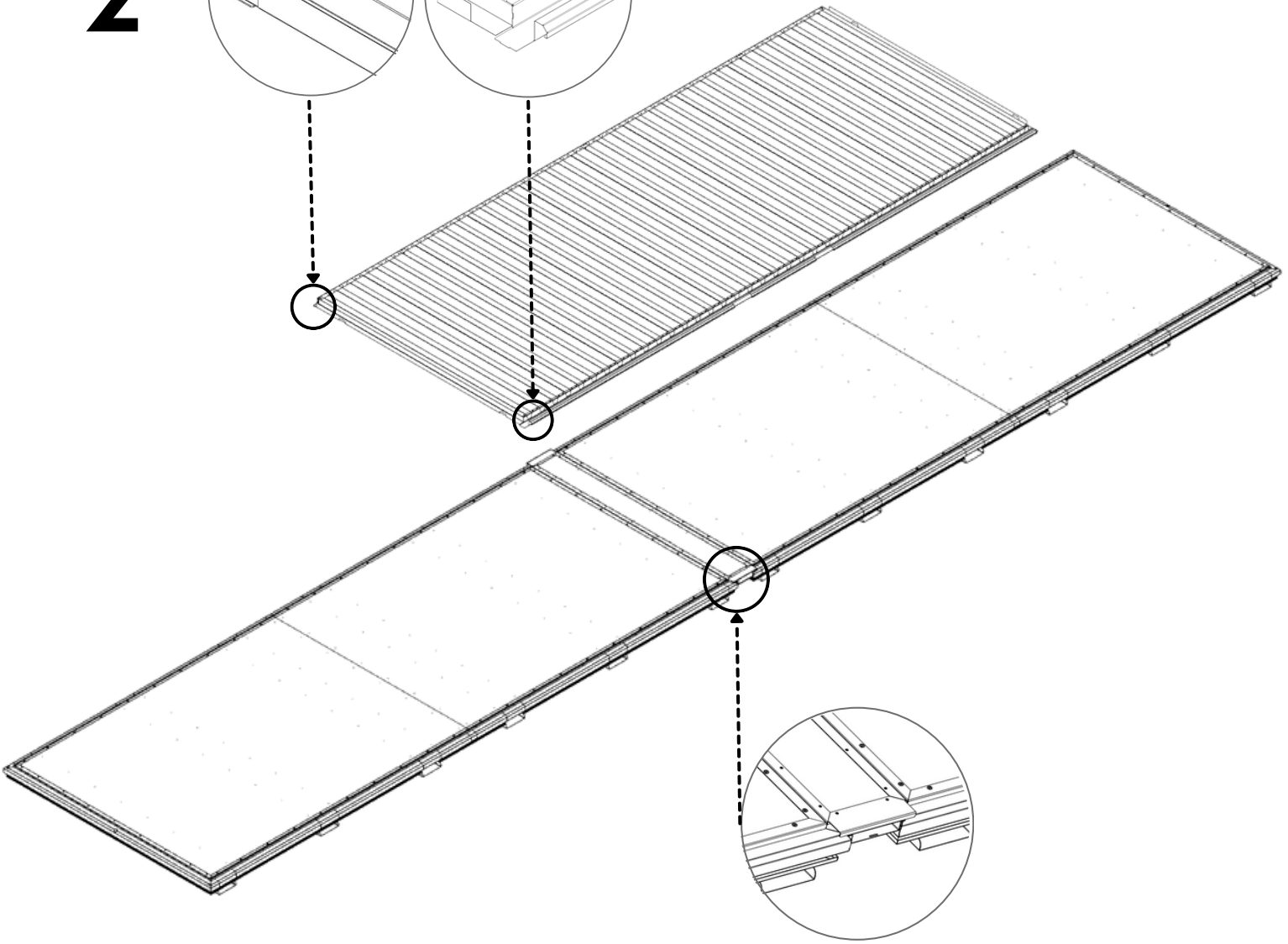
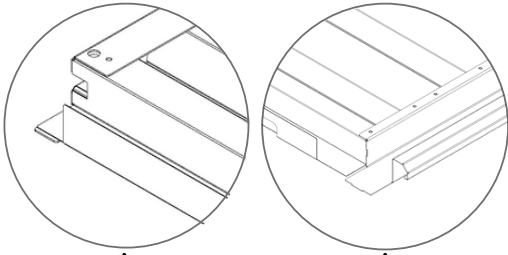
1x

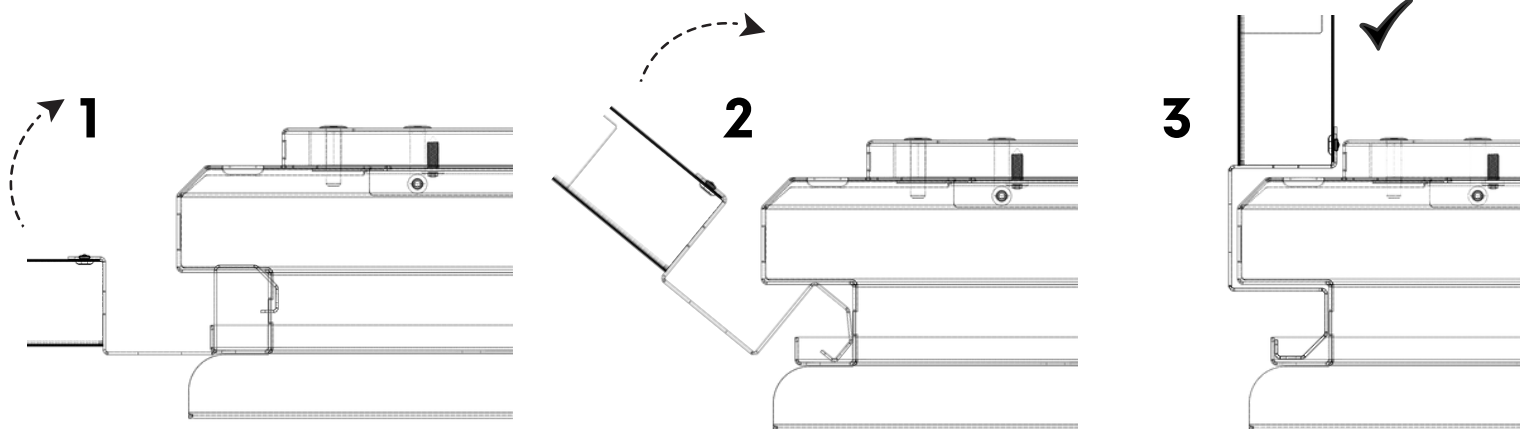


1

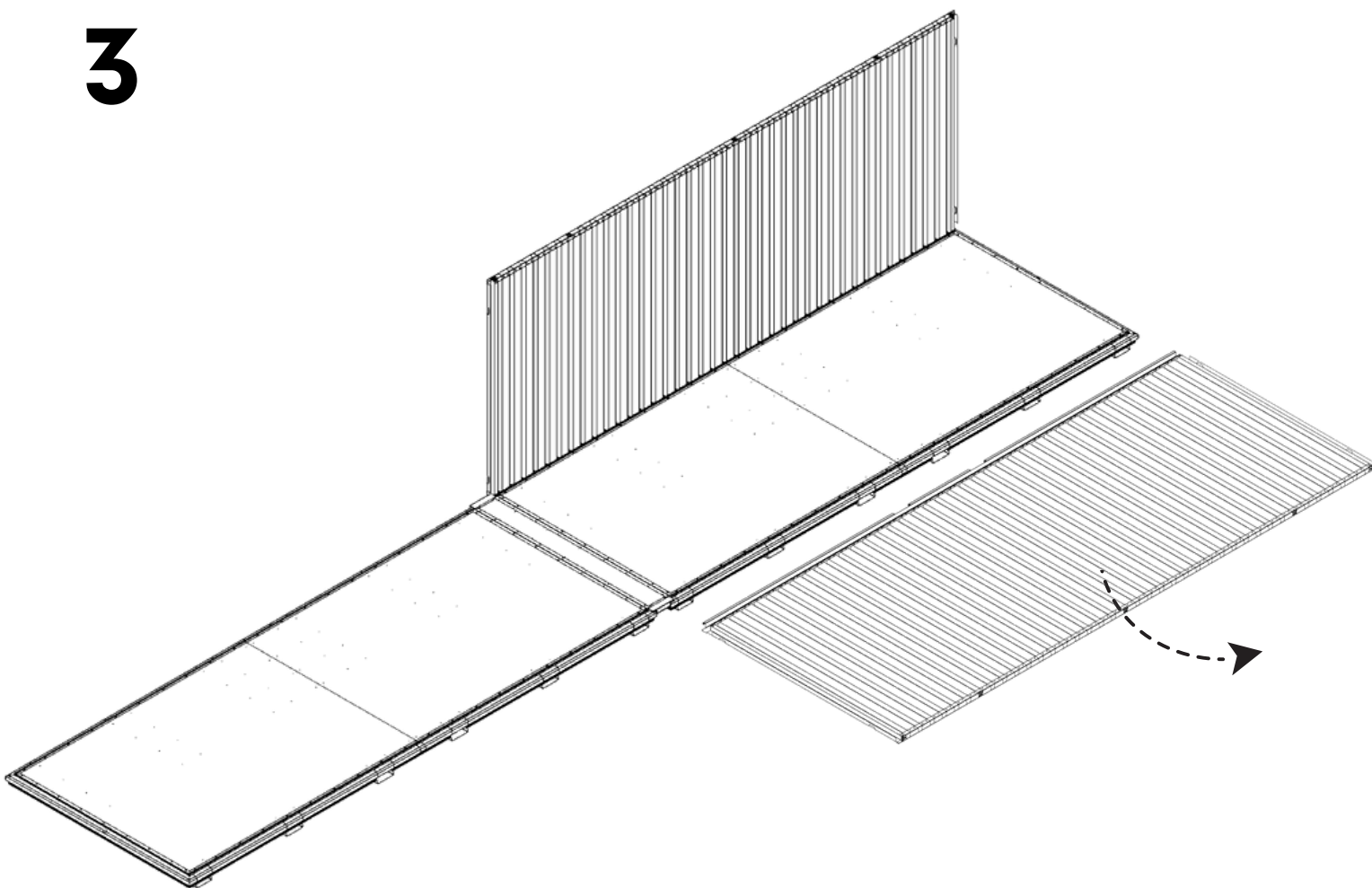


2

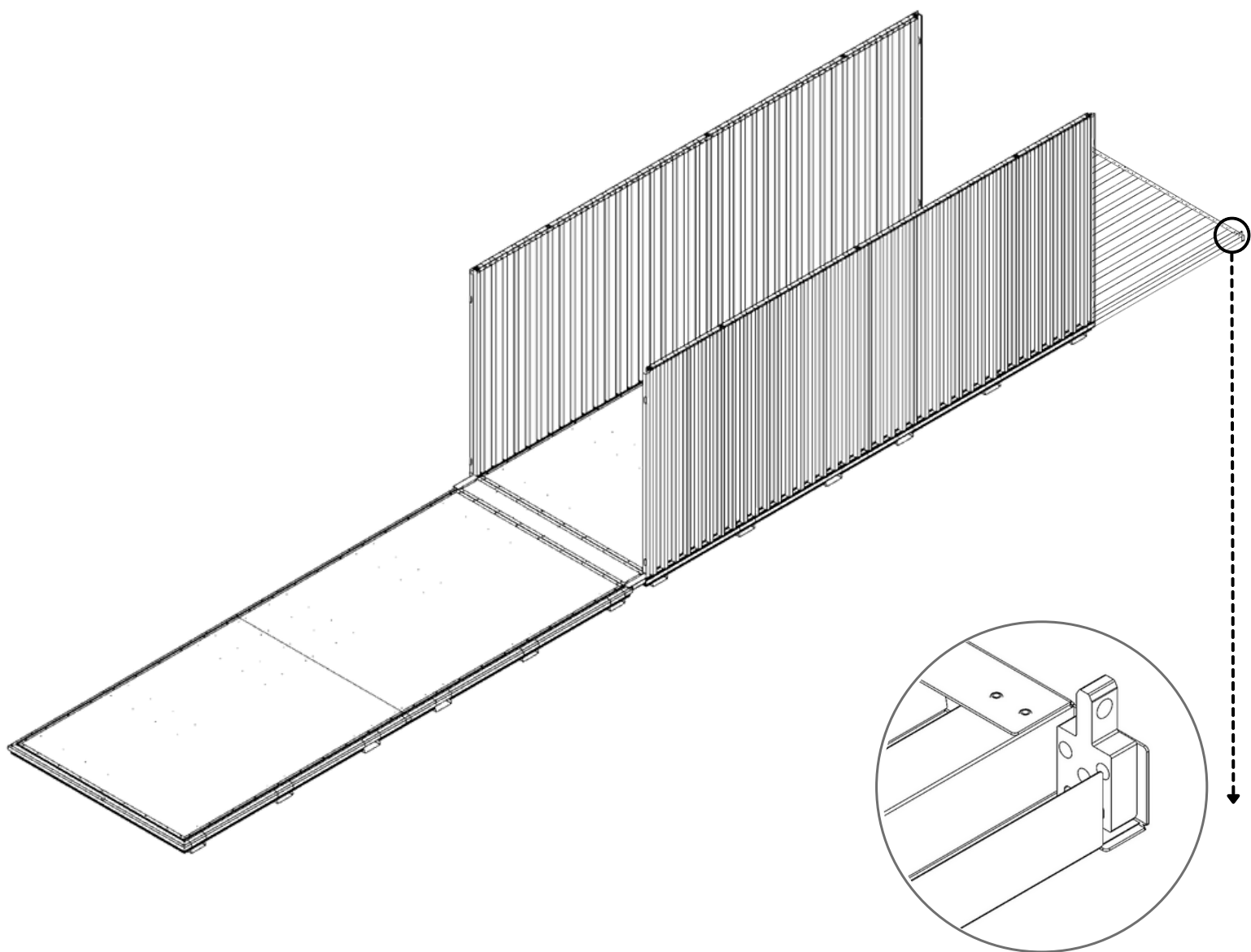




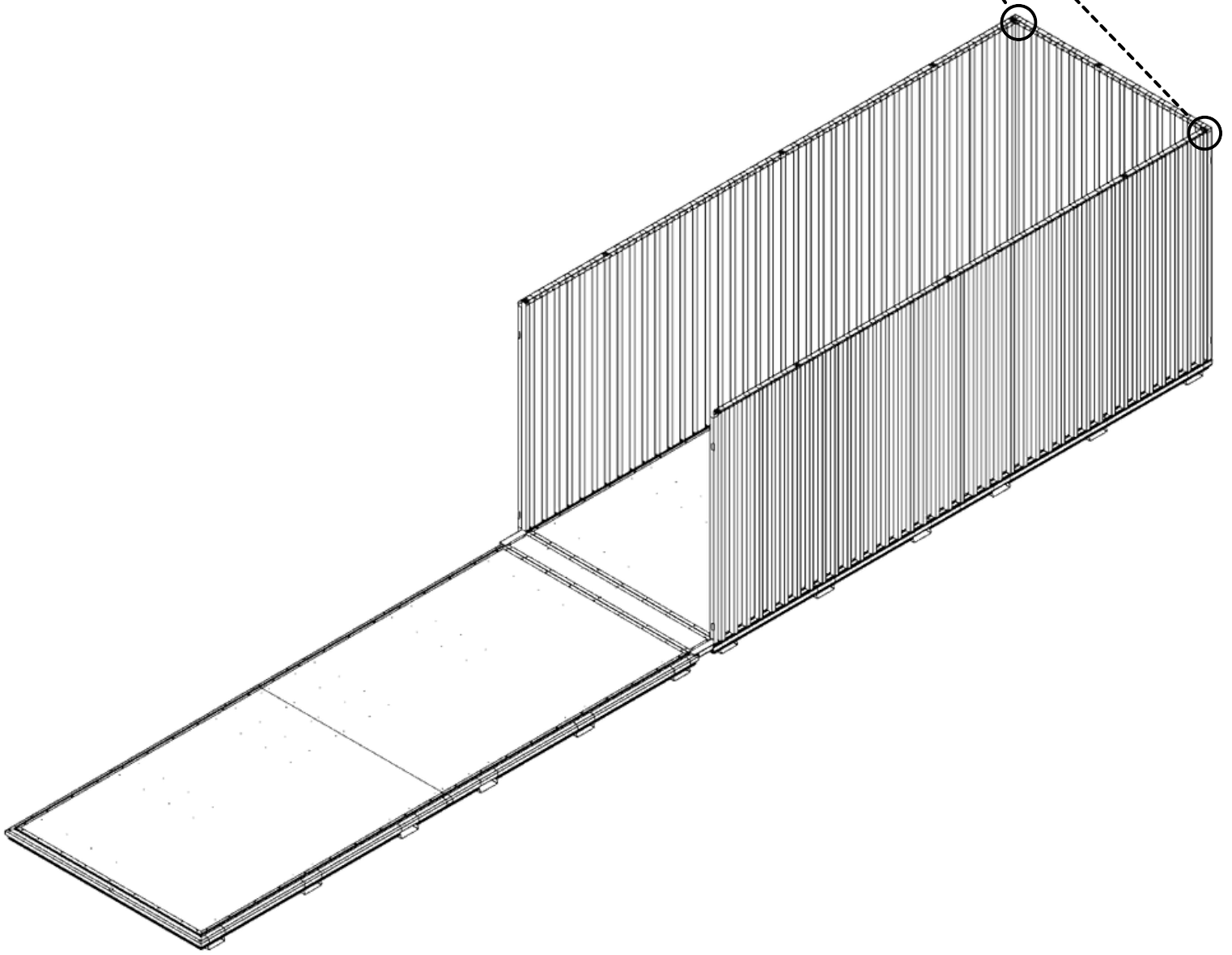
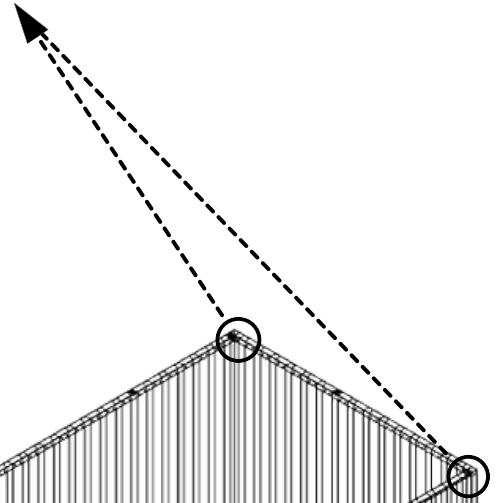
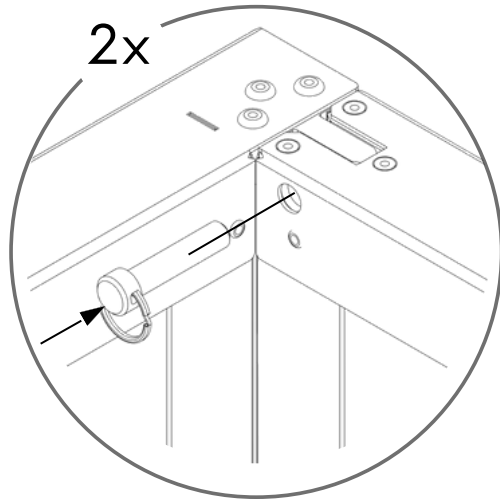
3



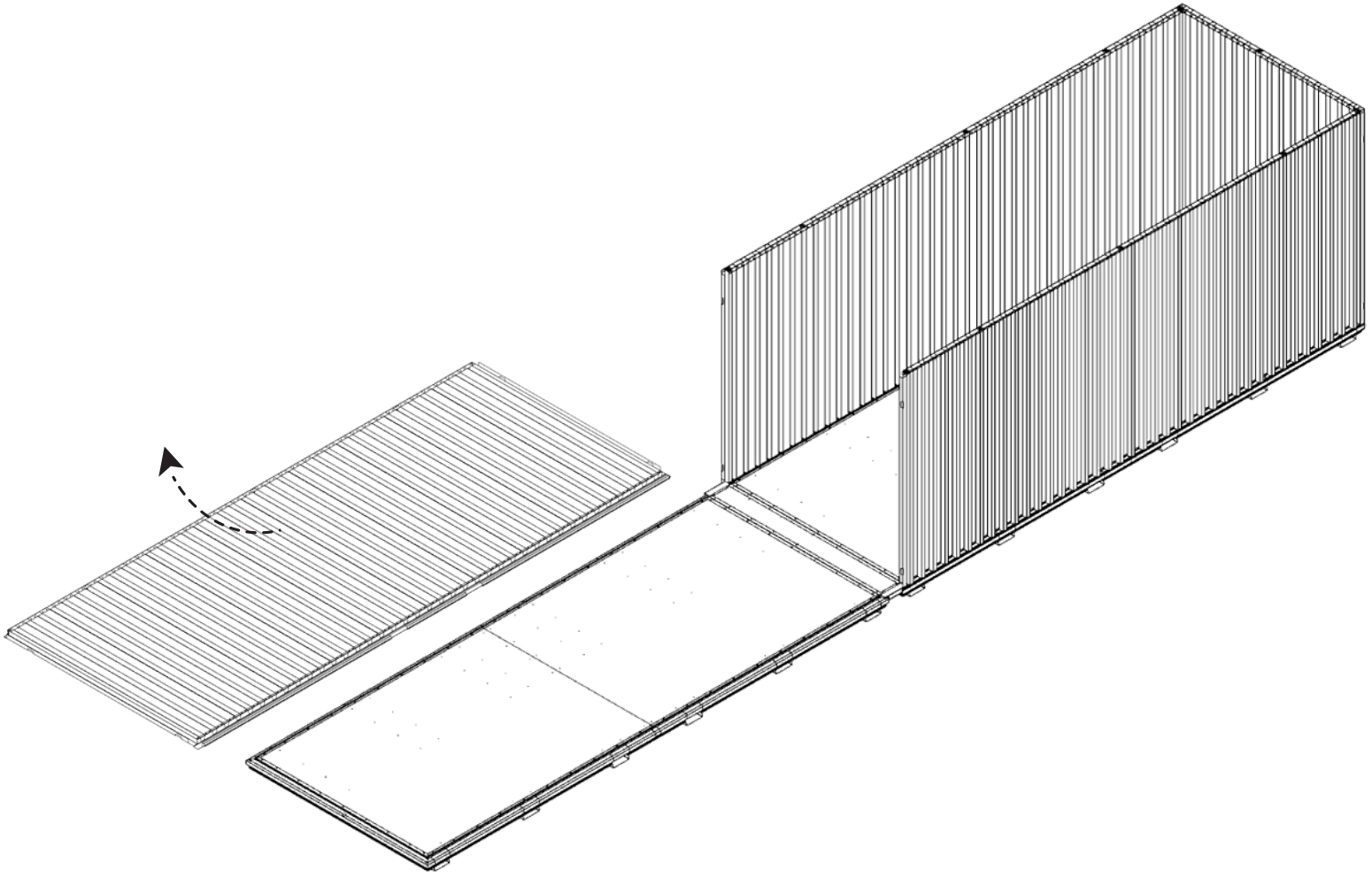
4



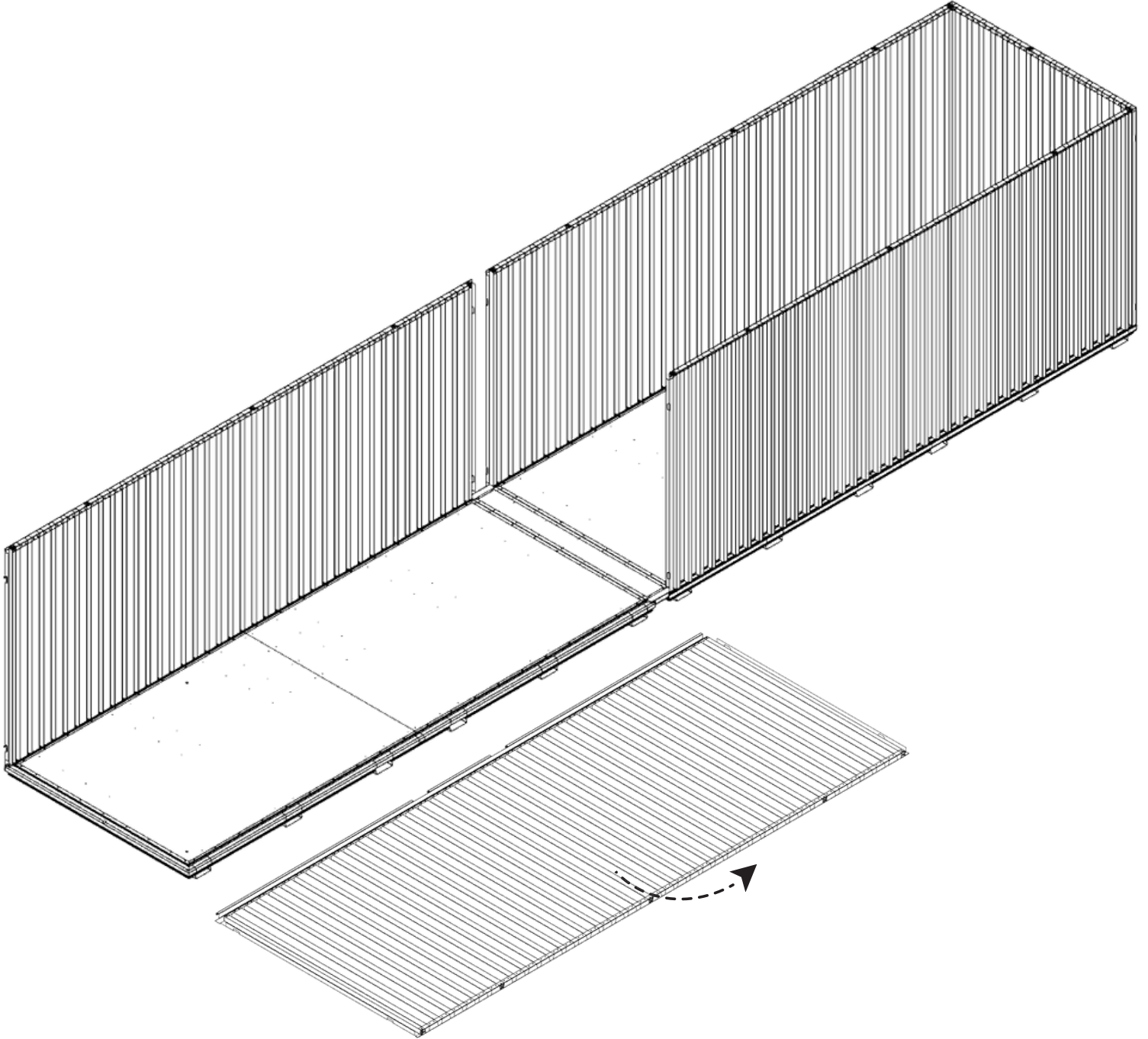
4.1



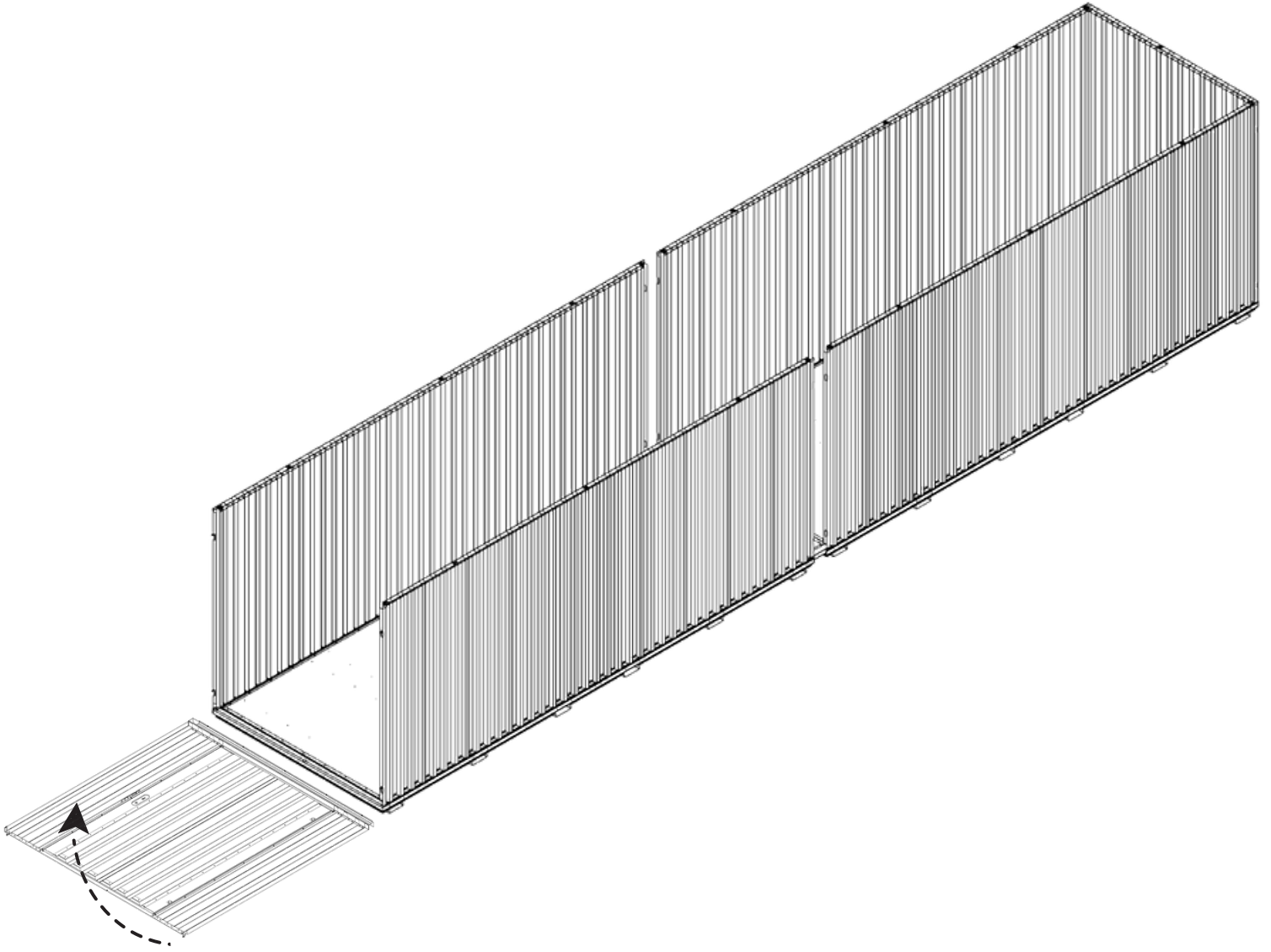
5



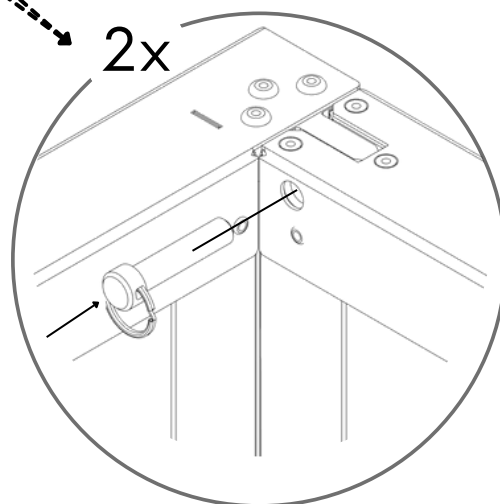
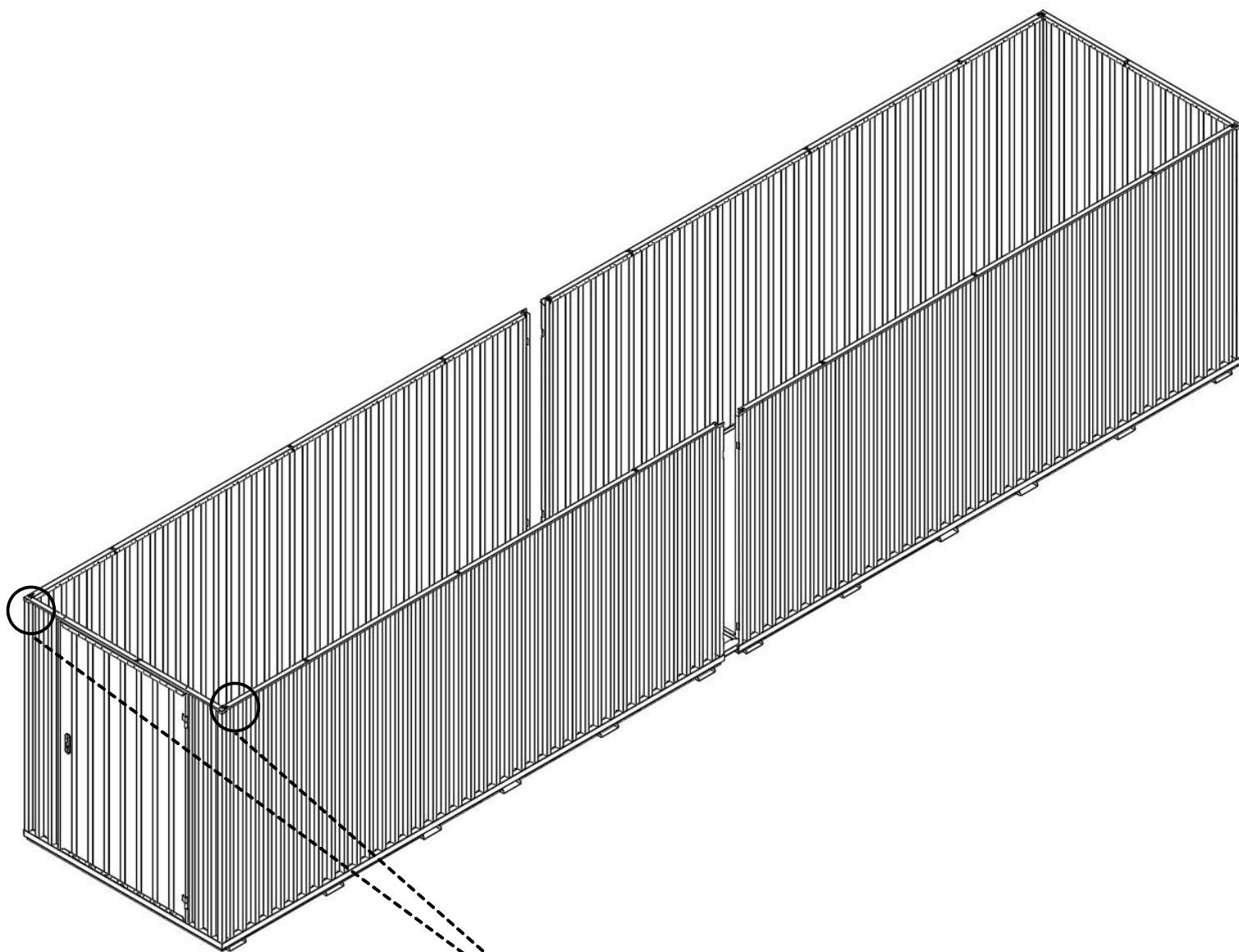
6



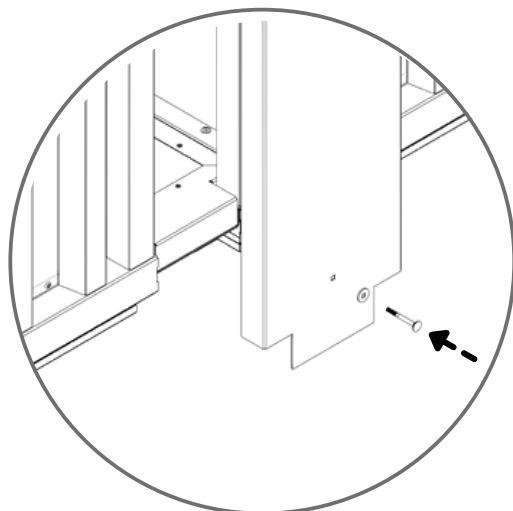
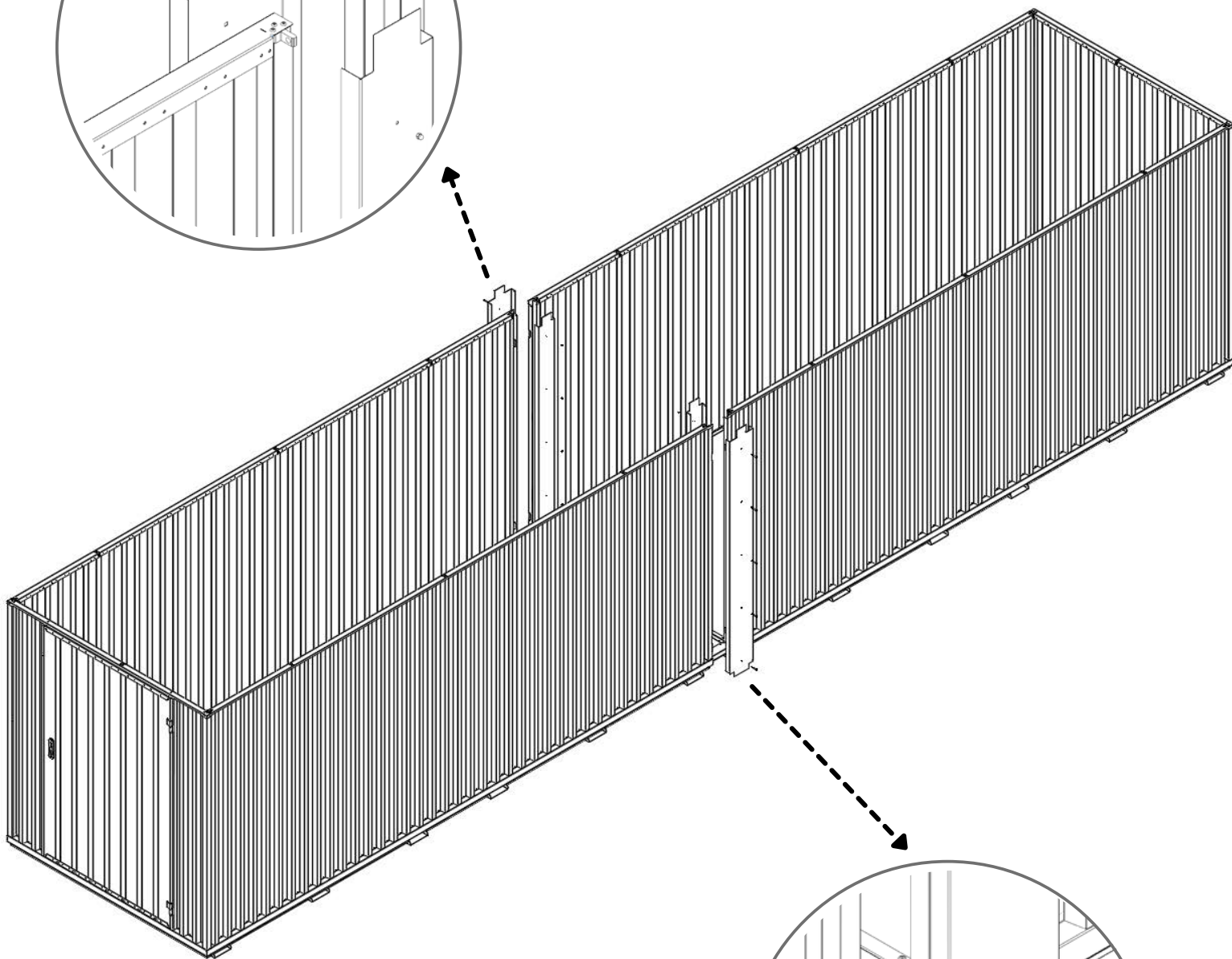
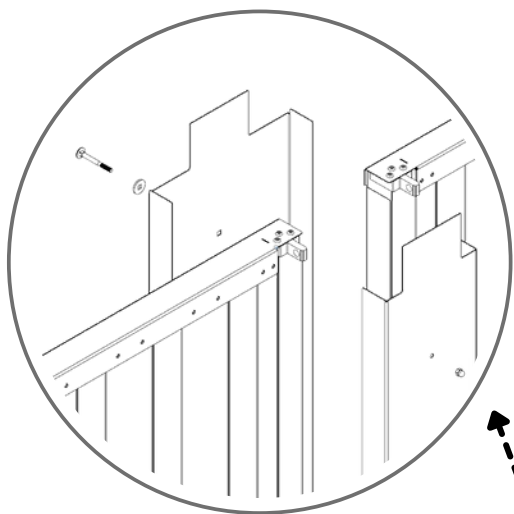
7



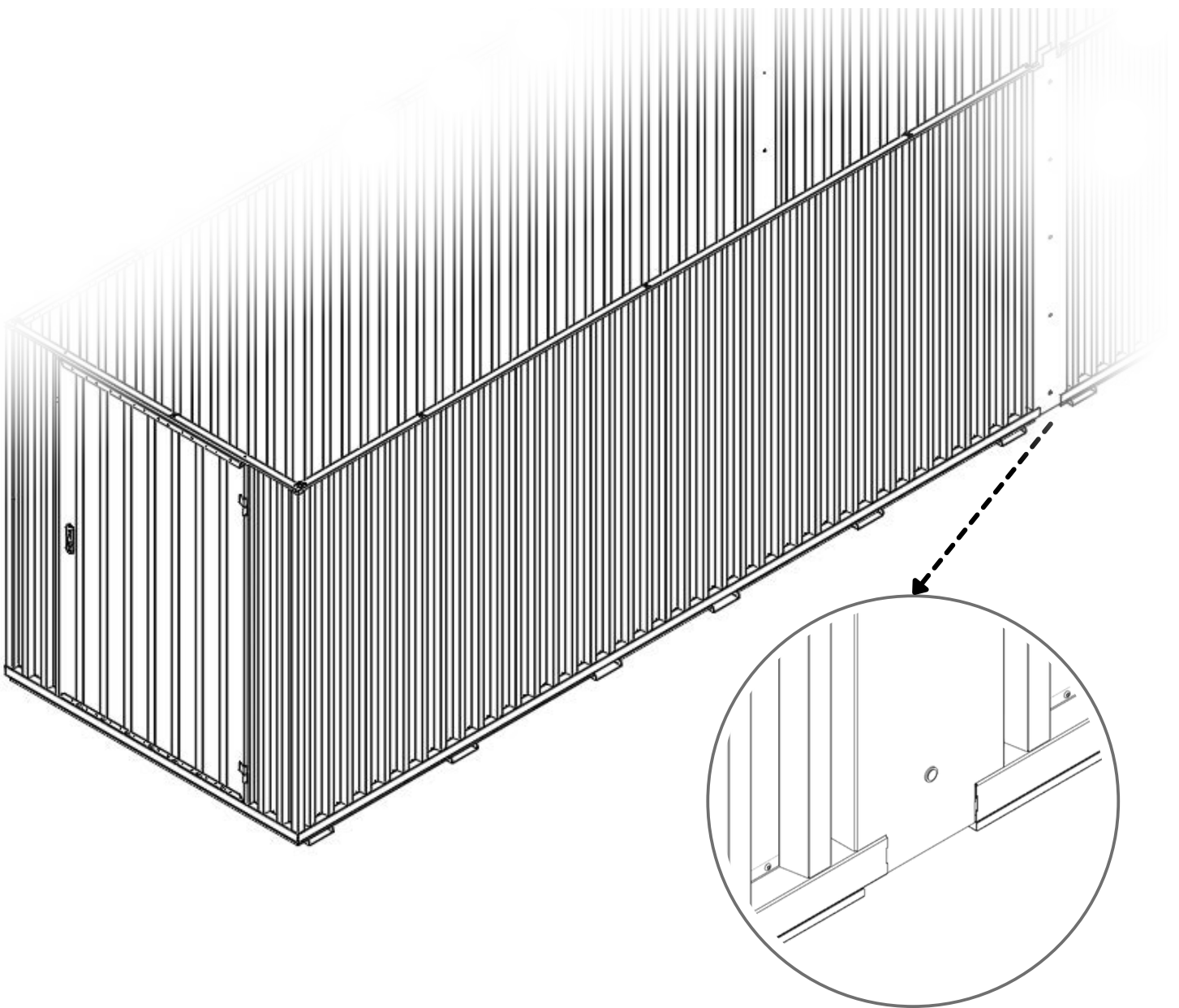
7.1



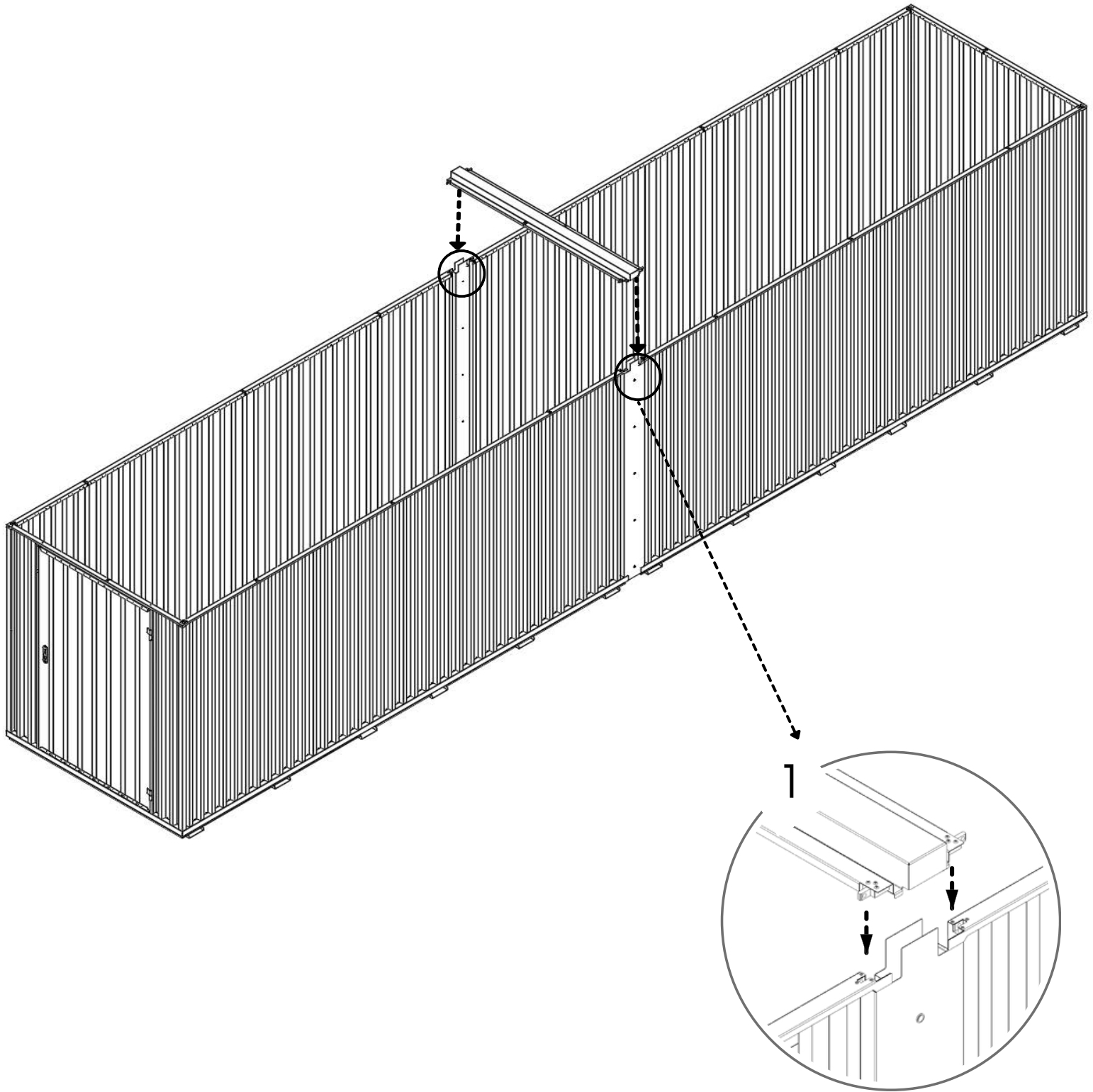
8



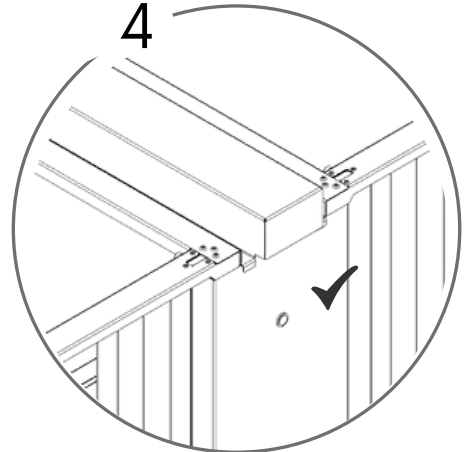
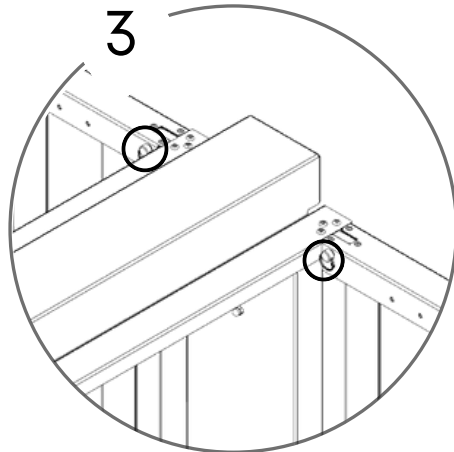
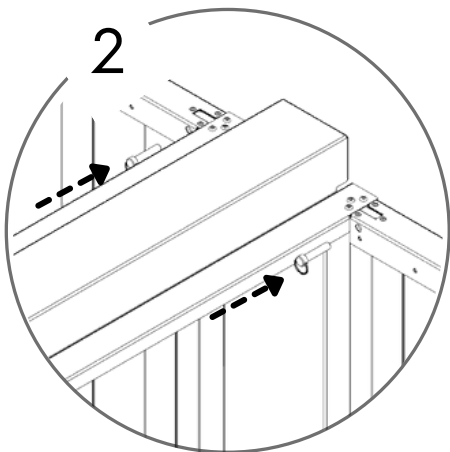
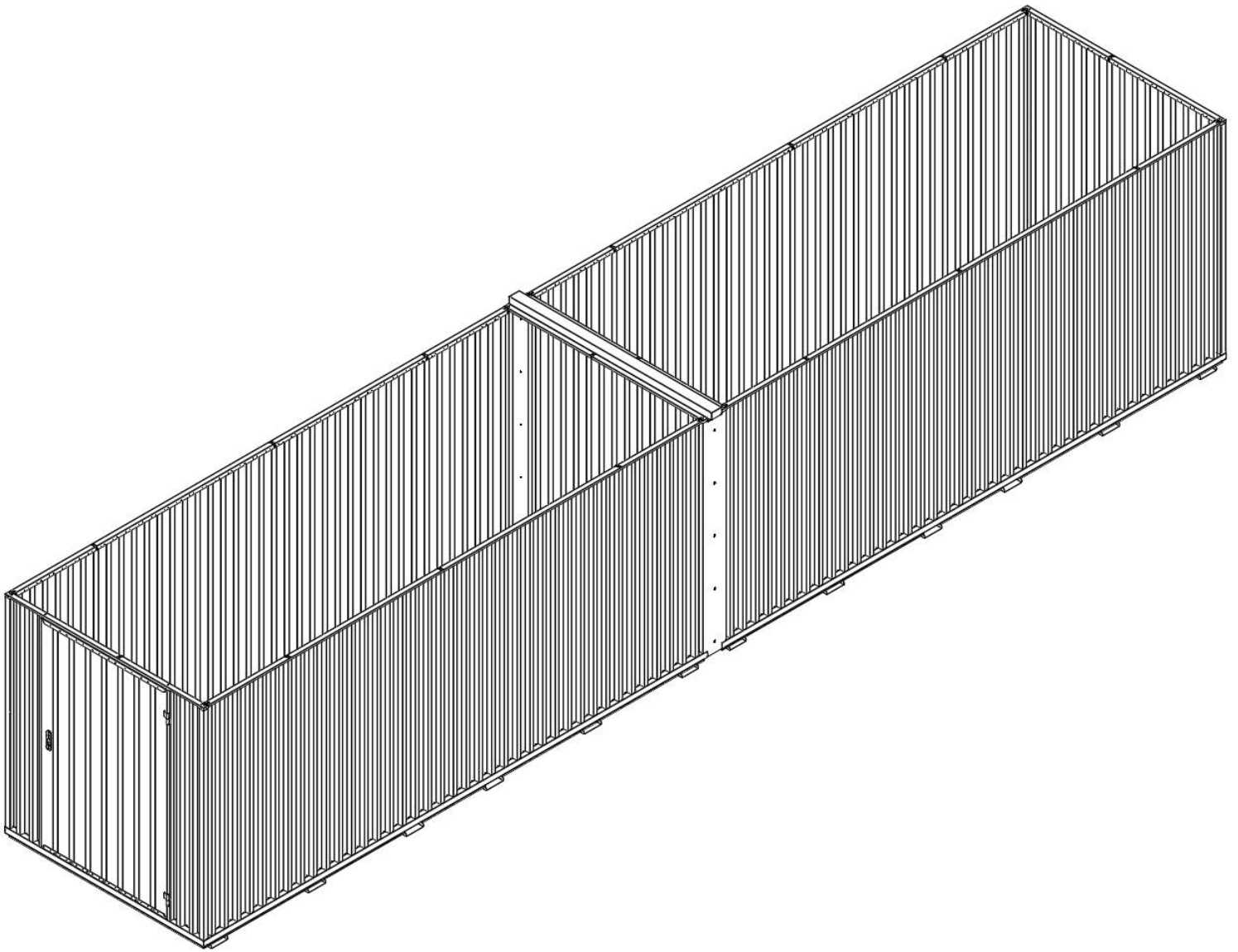
9











10

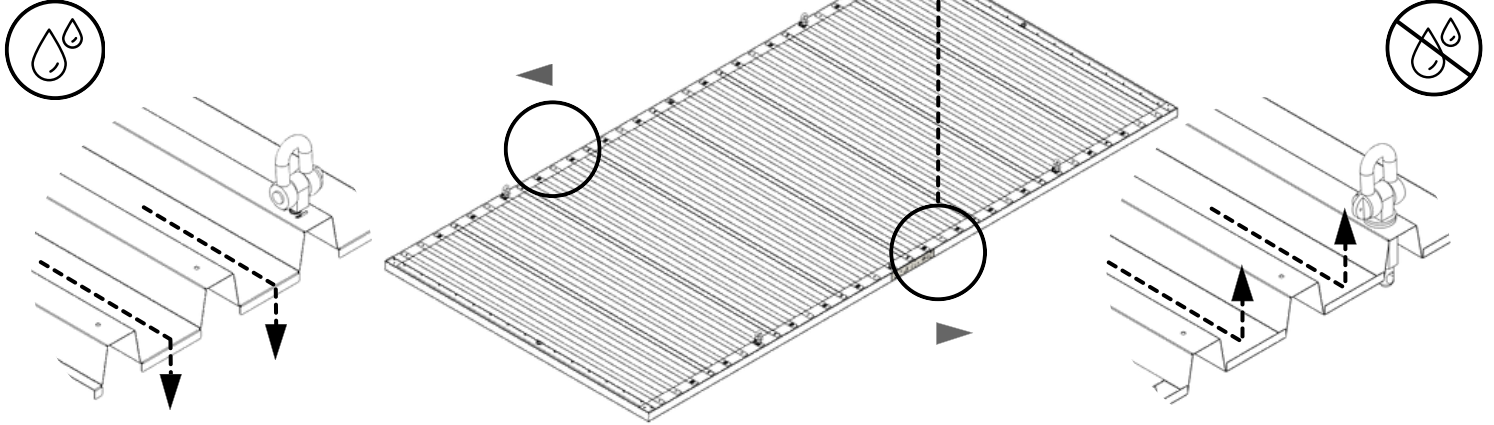


11

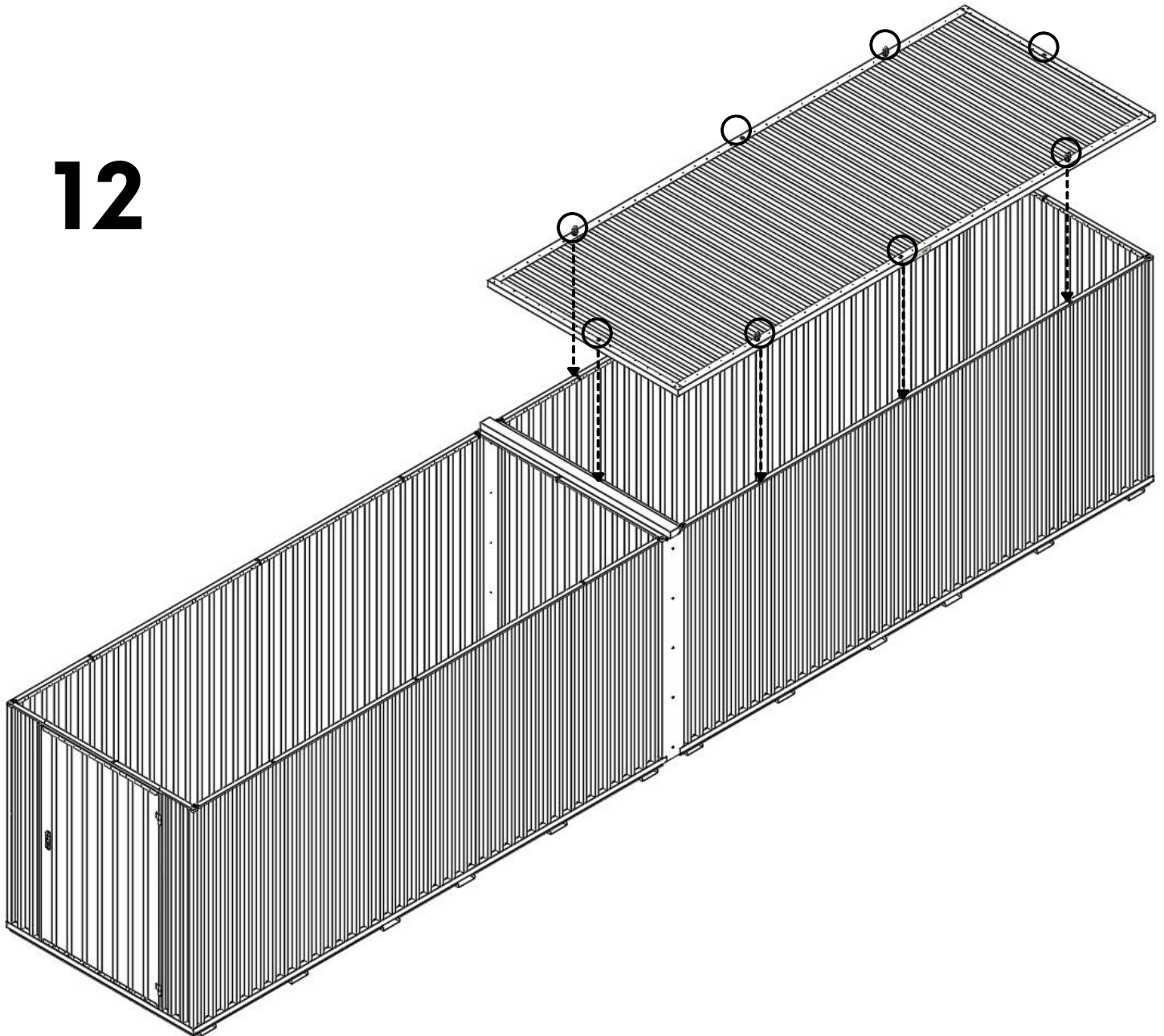




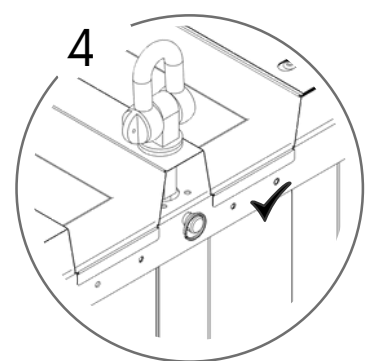
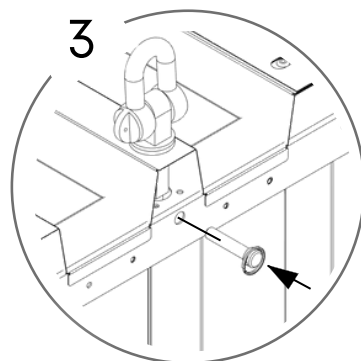
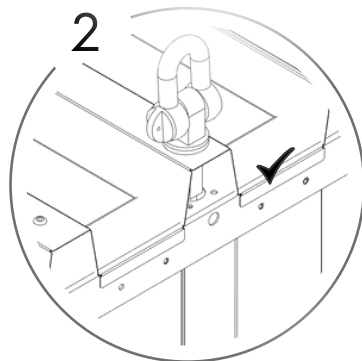
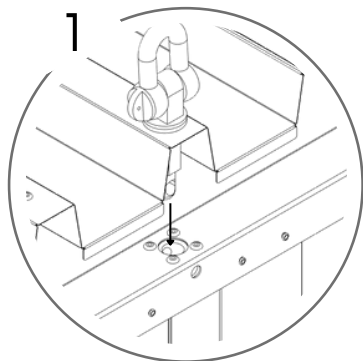
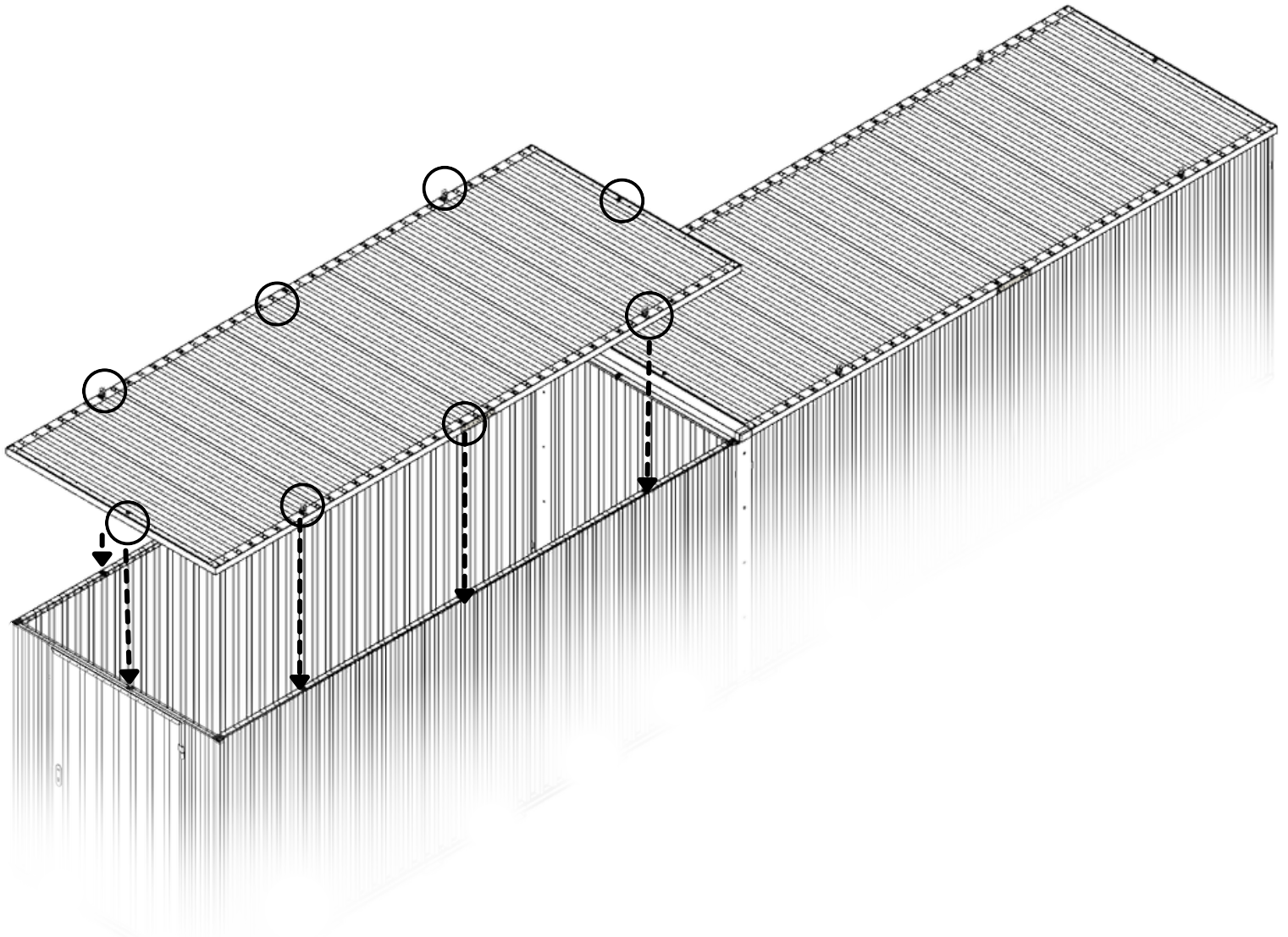
 939 KG	 1640 MM	Model Code: 5050.110.320 Production Tracking Code:/X09.1.5050.320	 9001	 14001	 50001			
---	--	---	---	--	--	---	---	---



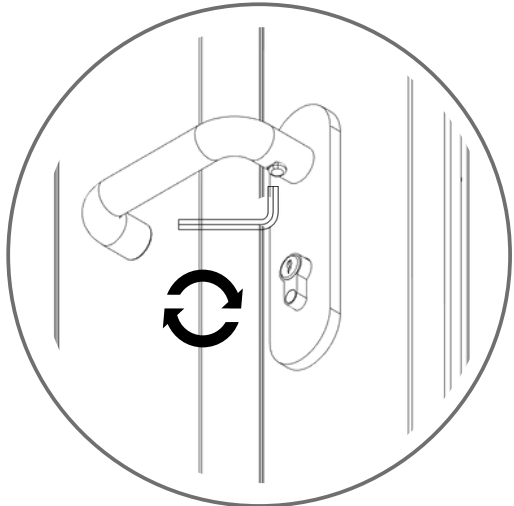
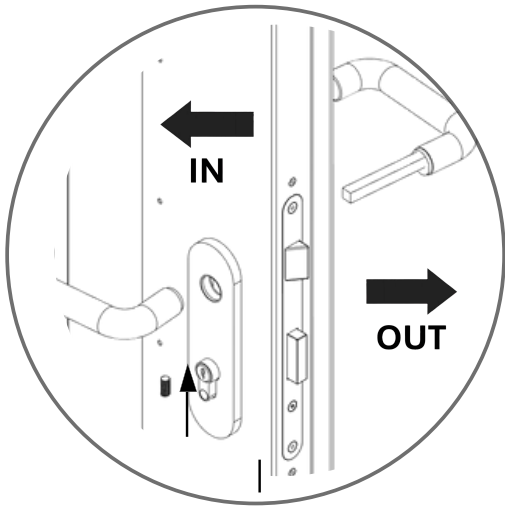
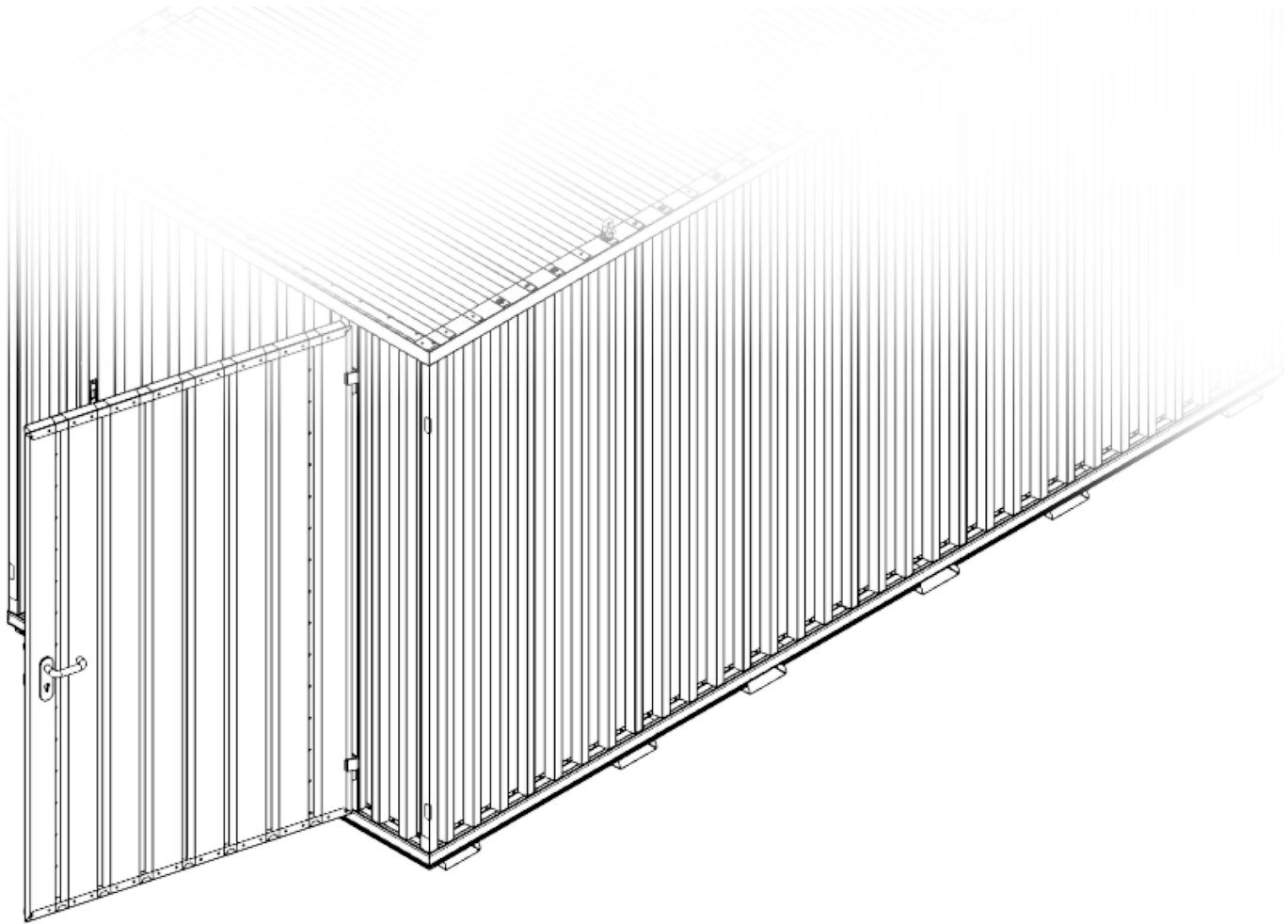
12



13



14



15

