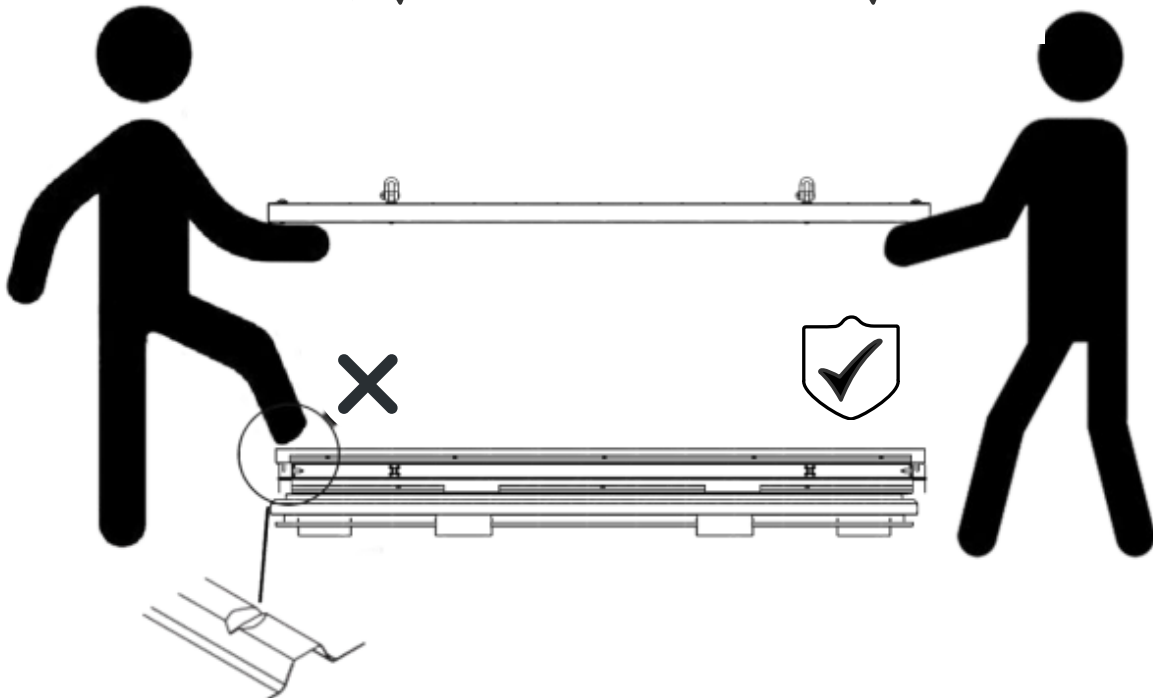
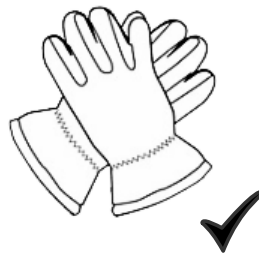
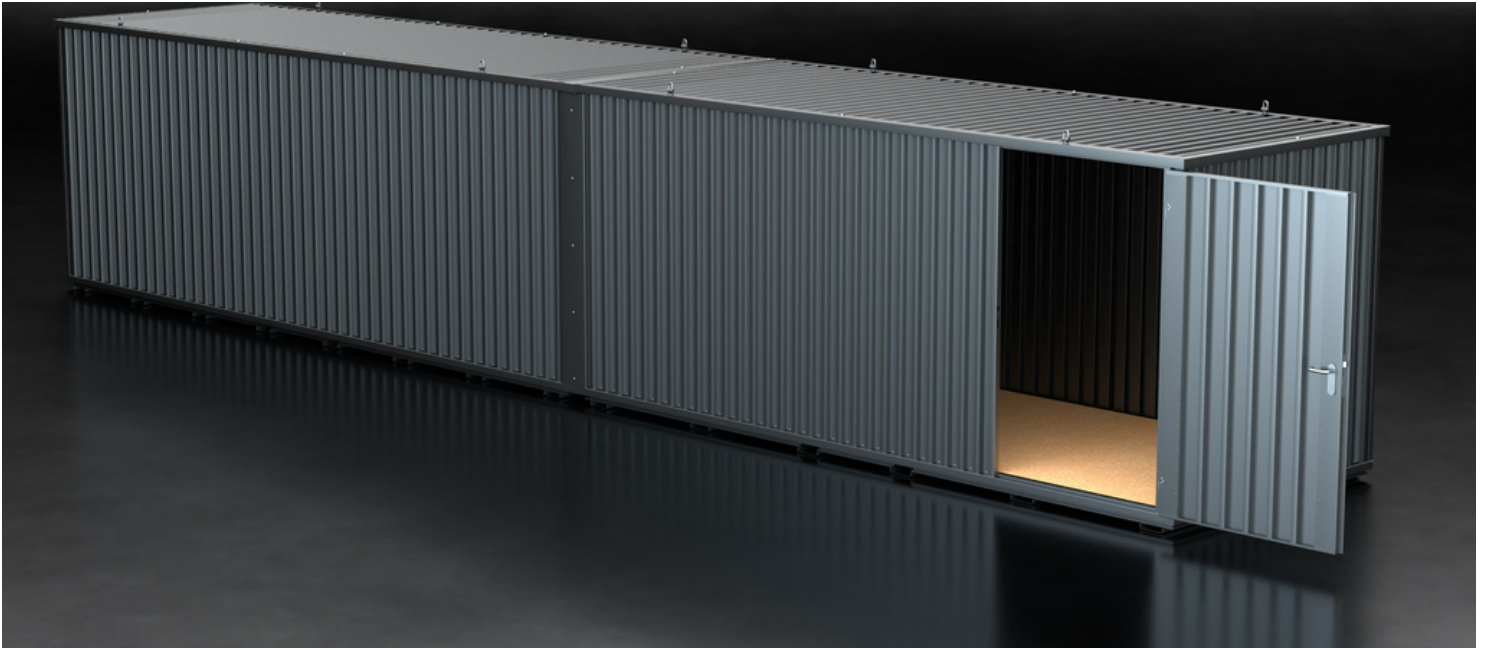


PRODUCT CODE:6050.110.440

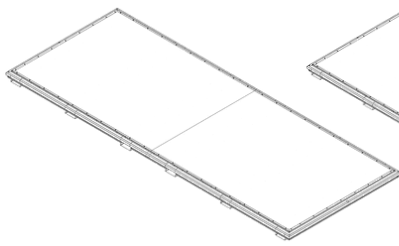
prefabase
Quick Build Solutions

Instructions and User Guide



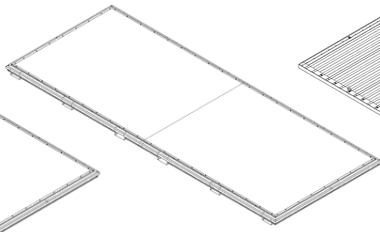
60.0110

1x



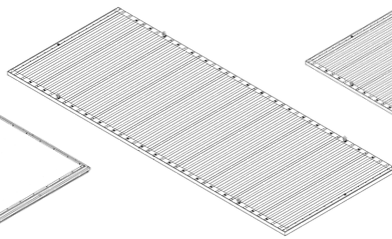
50.0110

1x



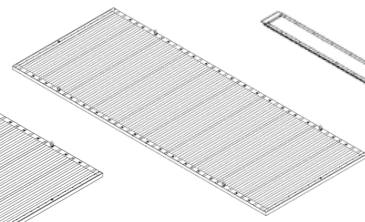
60.0510

1x



50.0510

1x



306.0110

1x



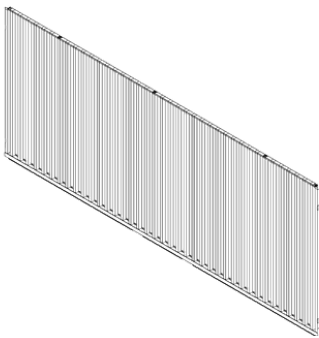
306.0510

1x



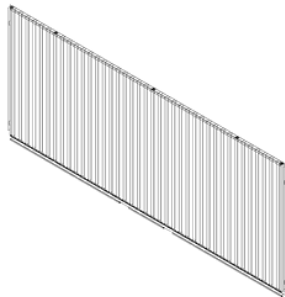
60.0410

2x



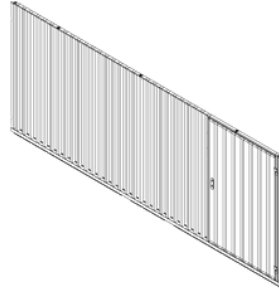
50.0410

1x



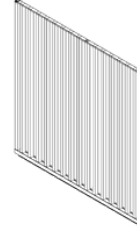
50.0440

1x



0310

2x



306.40.05

2x



306.40.04

2x

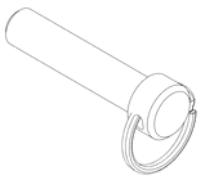


61.101

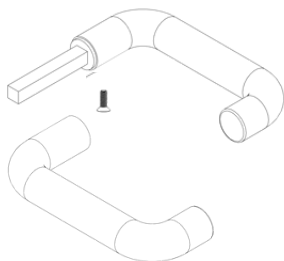
4x



26x



1x



10x



10x



10x



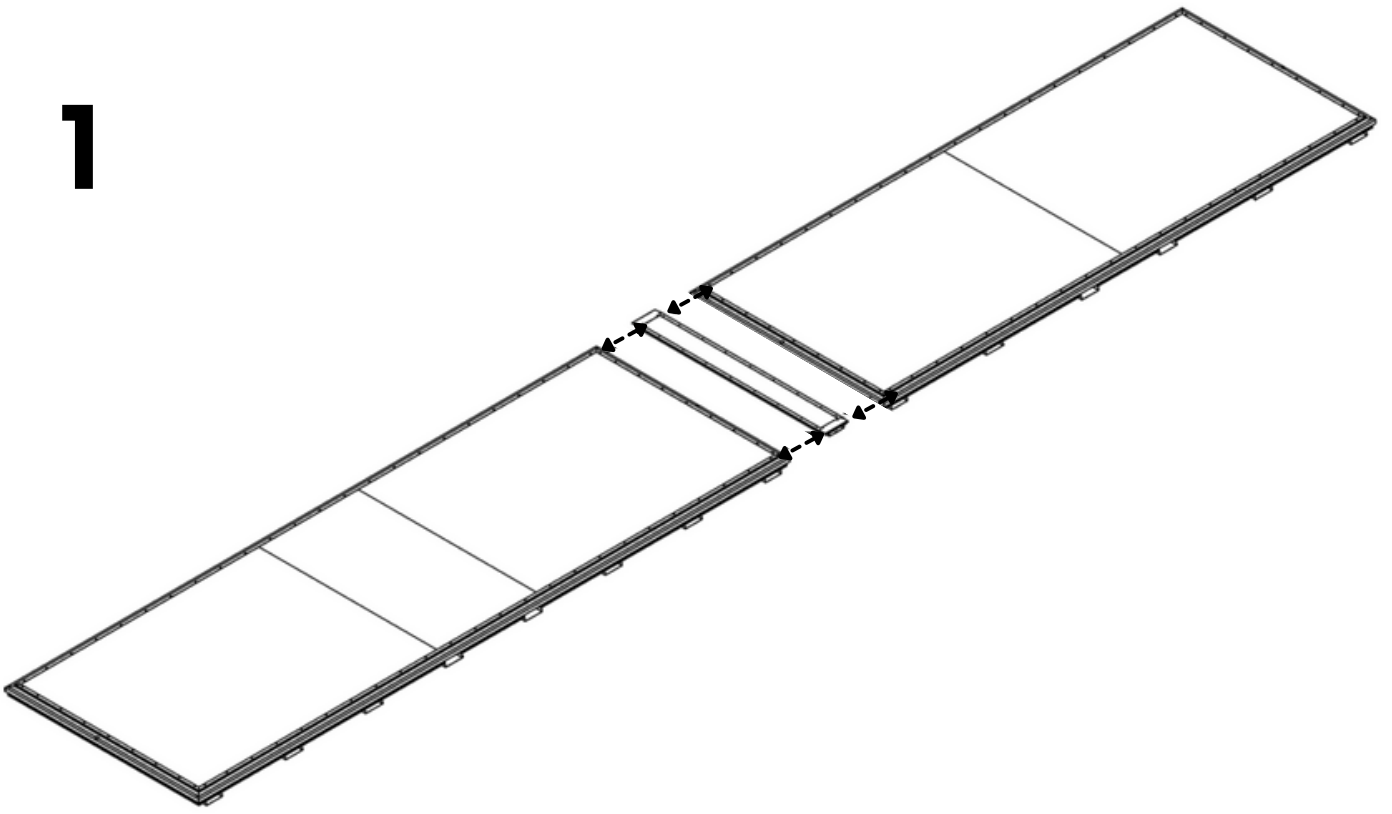
1x



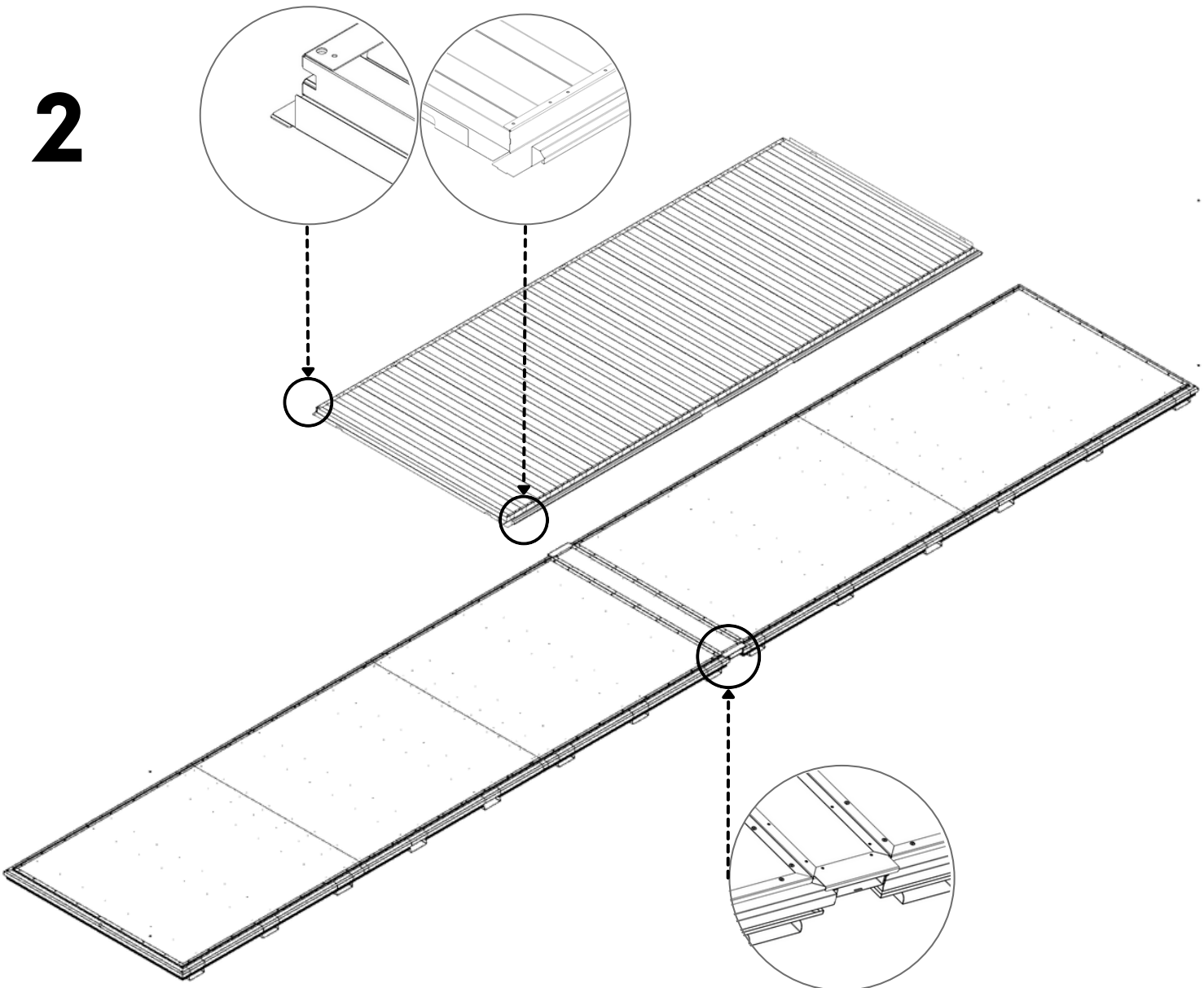
1x

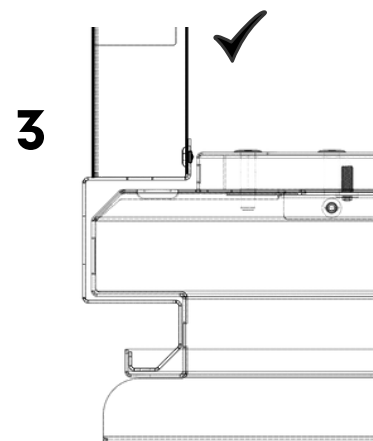
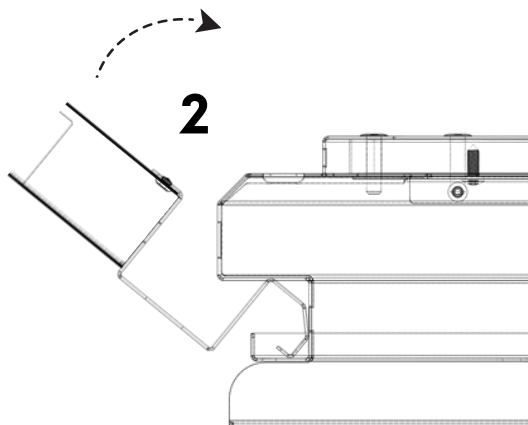
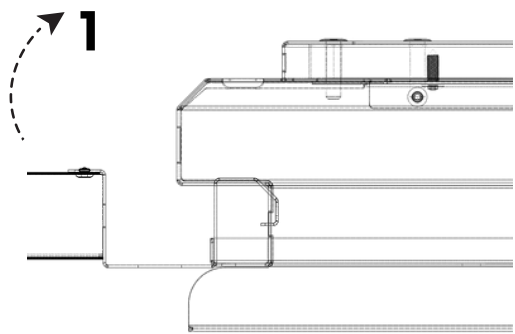


1

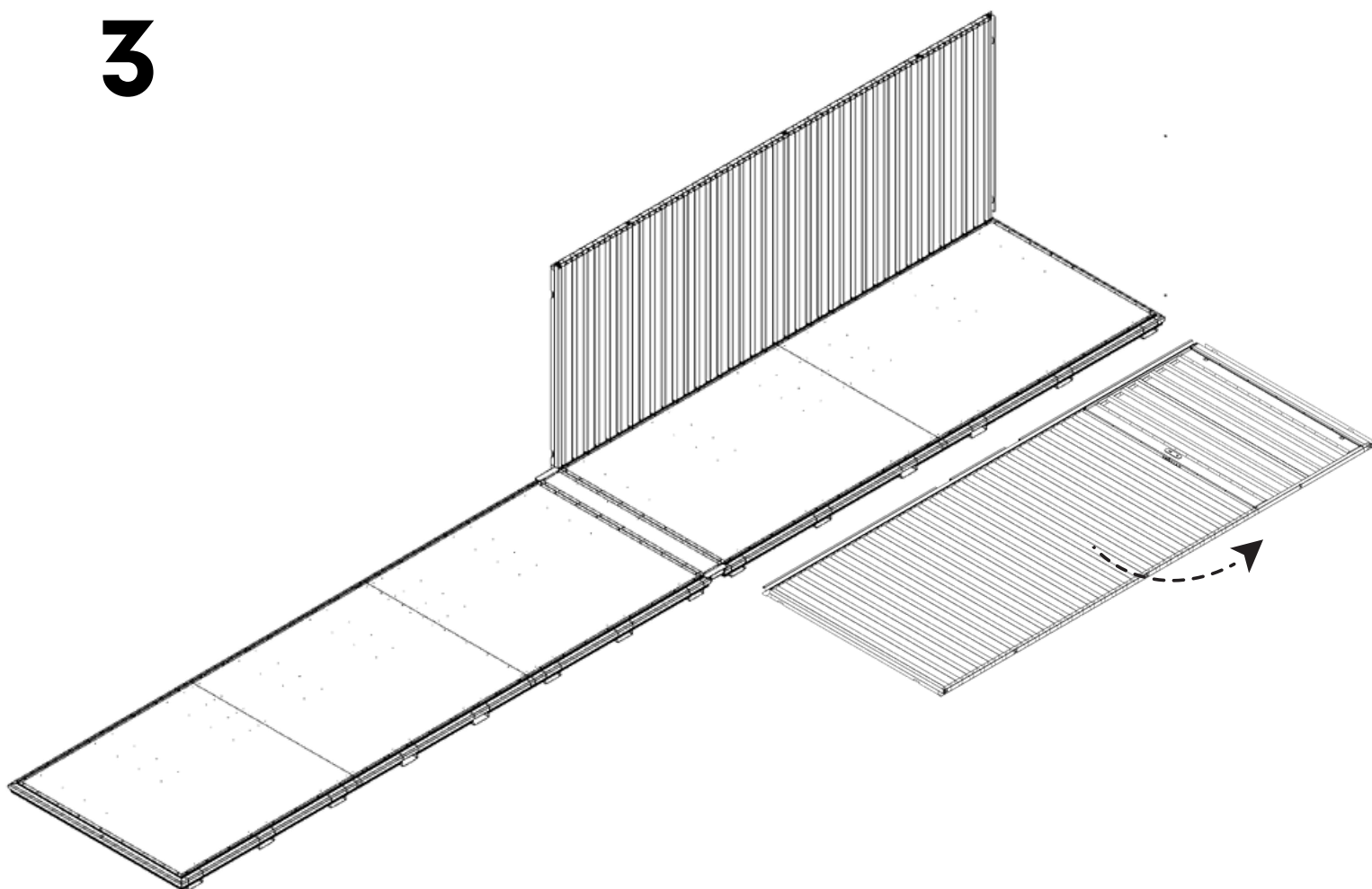


2

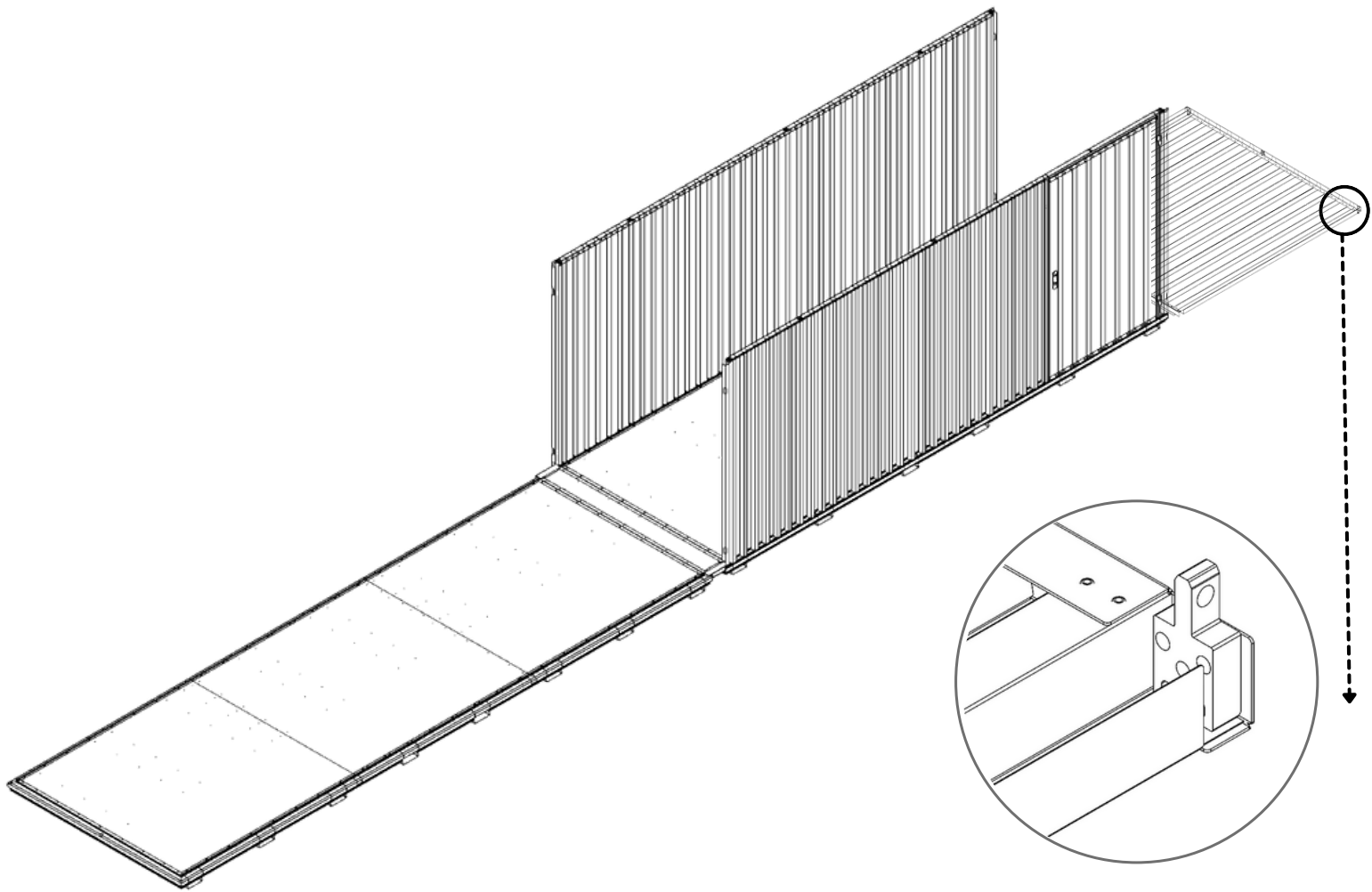




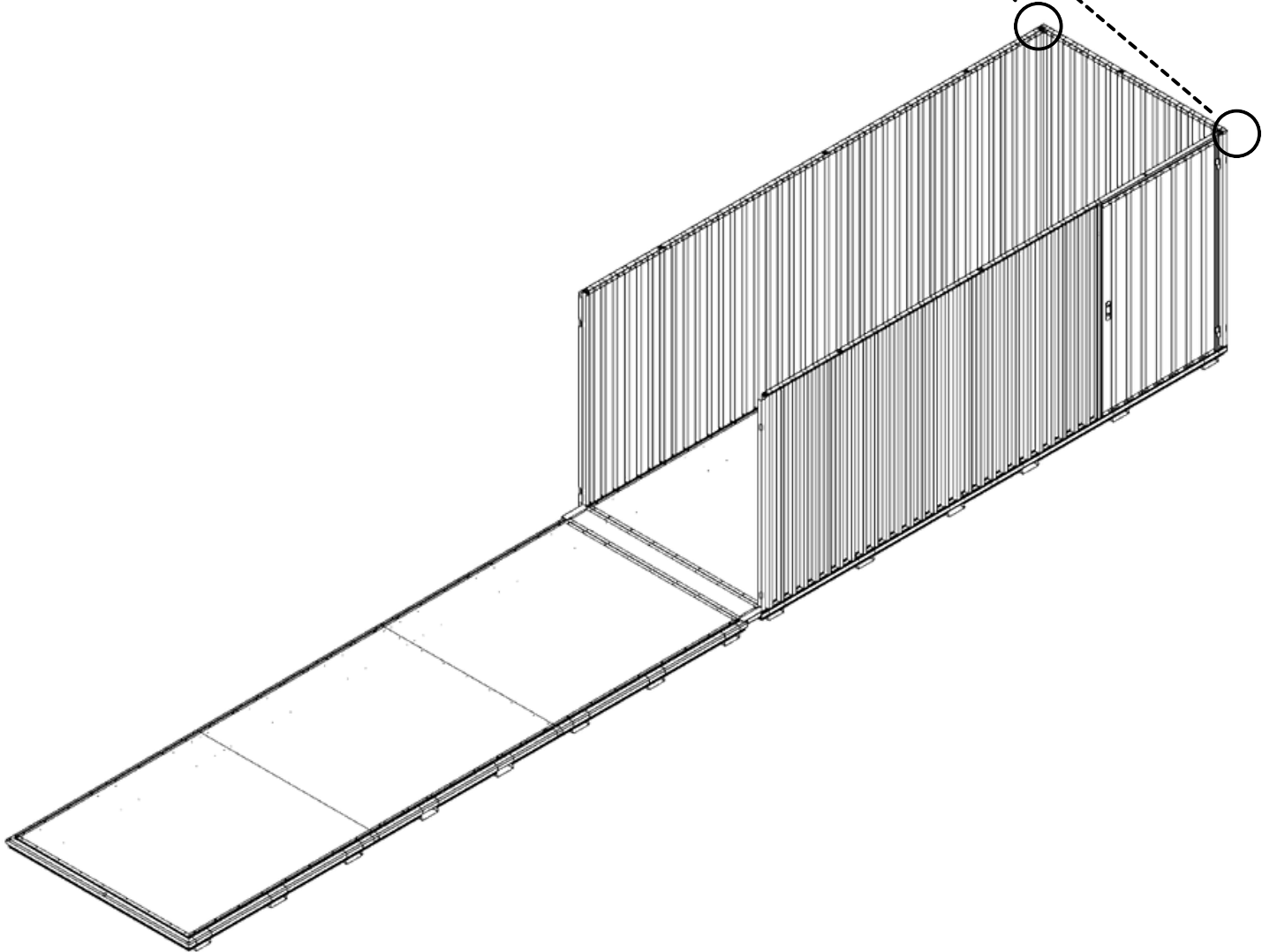
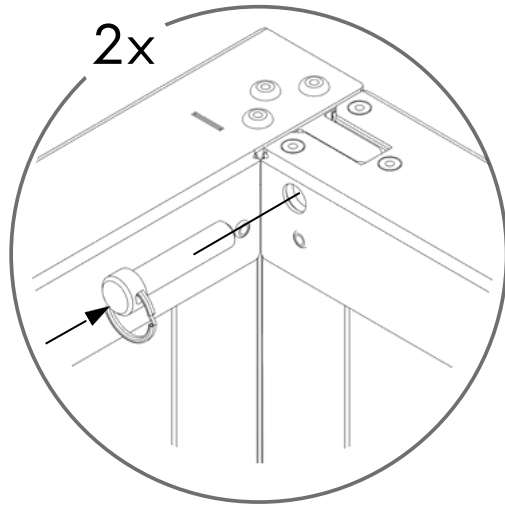
3



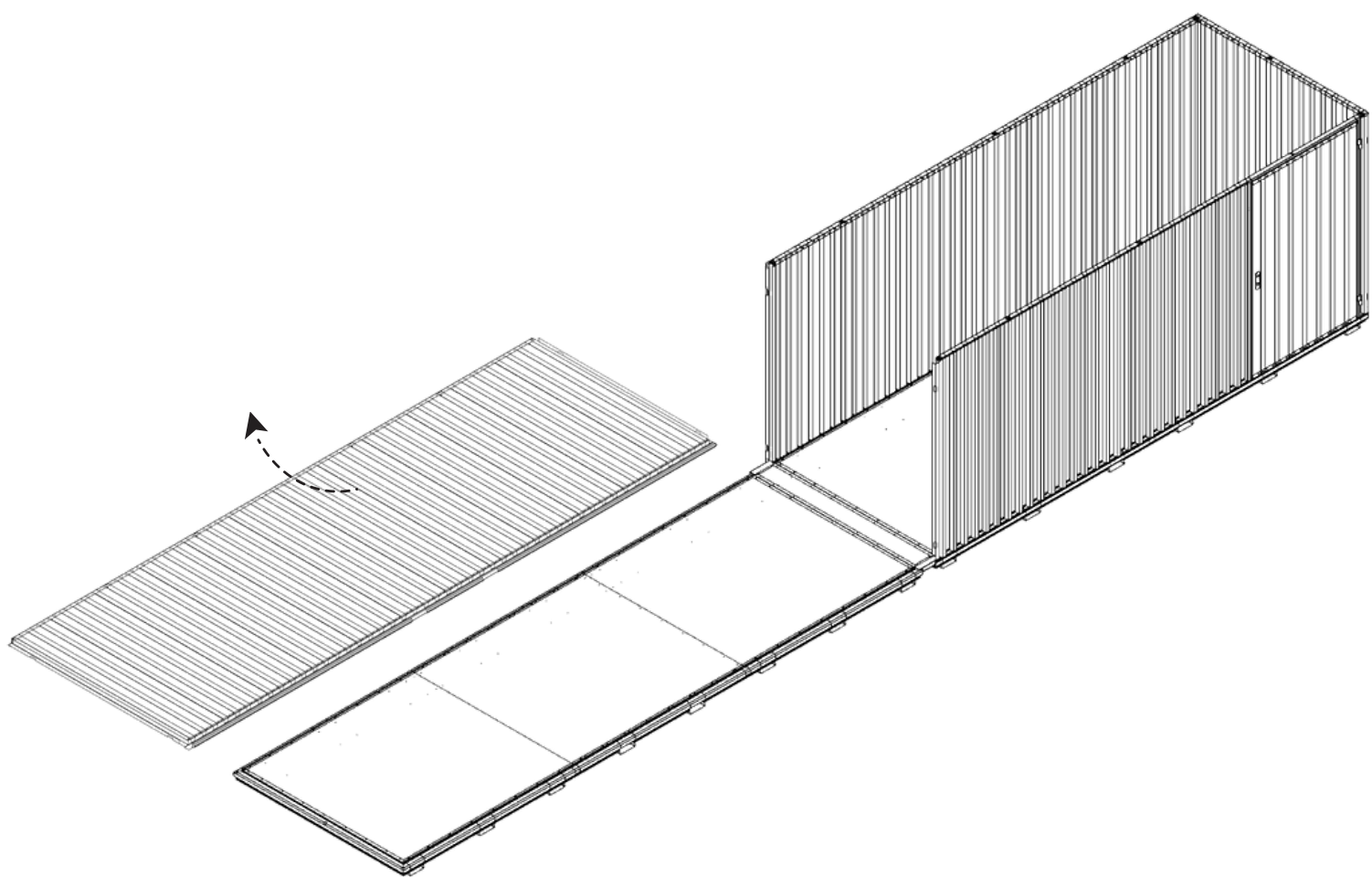
4



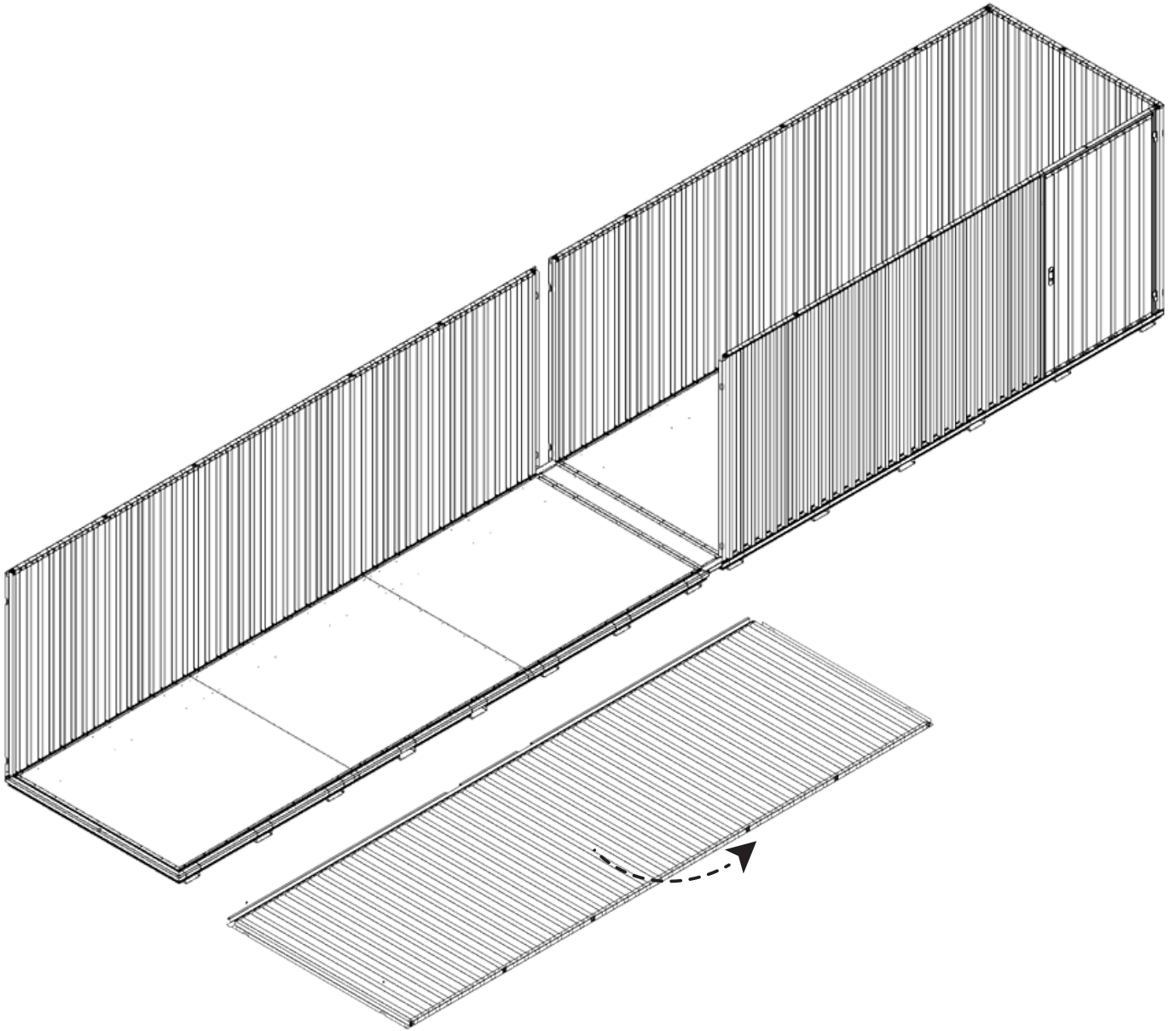
4.1



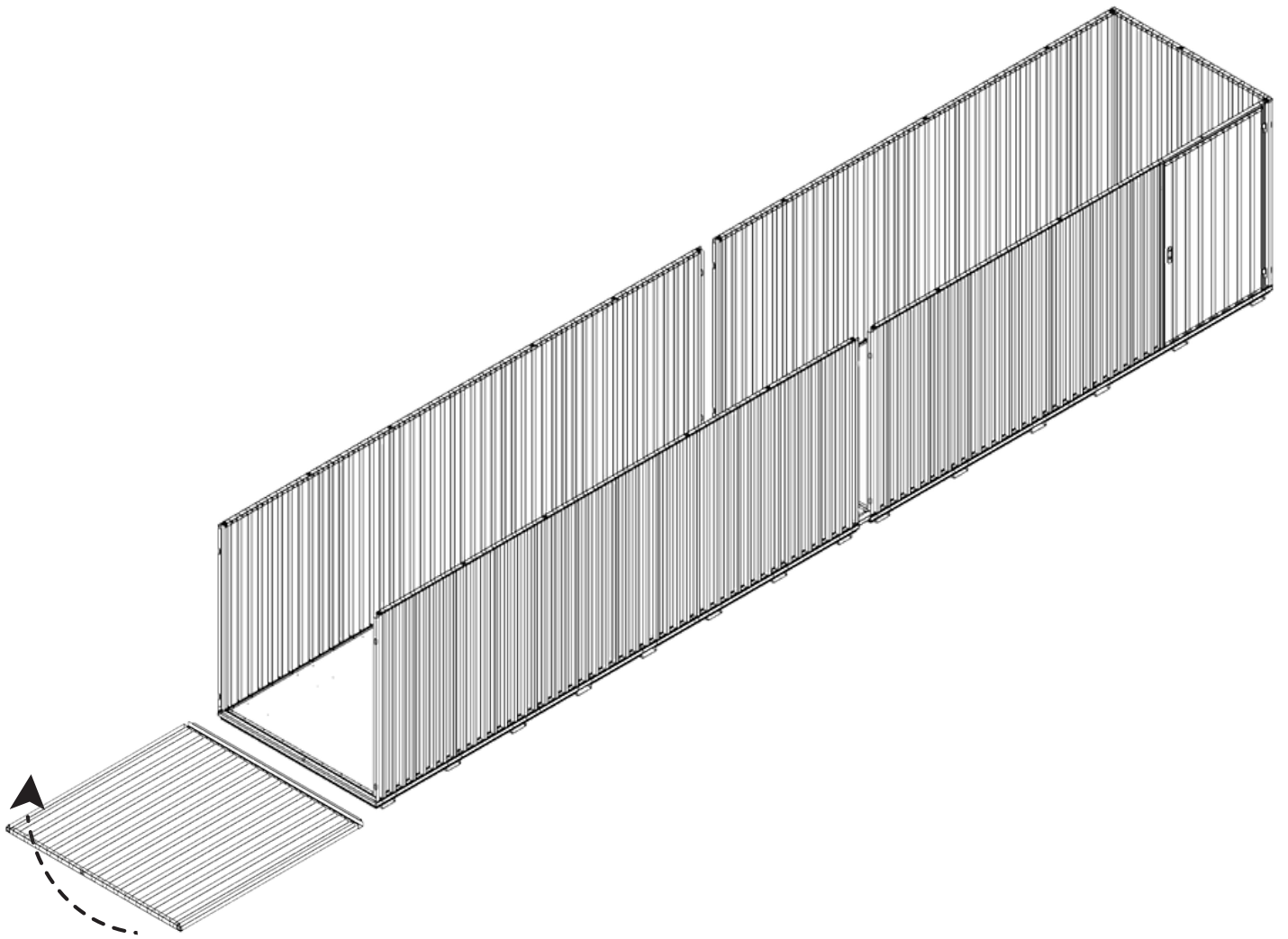
5



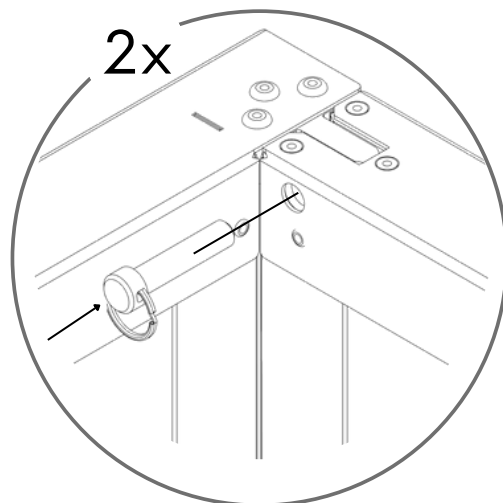
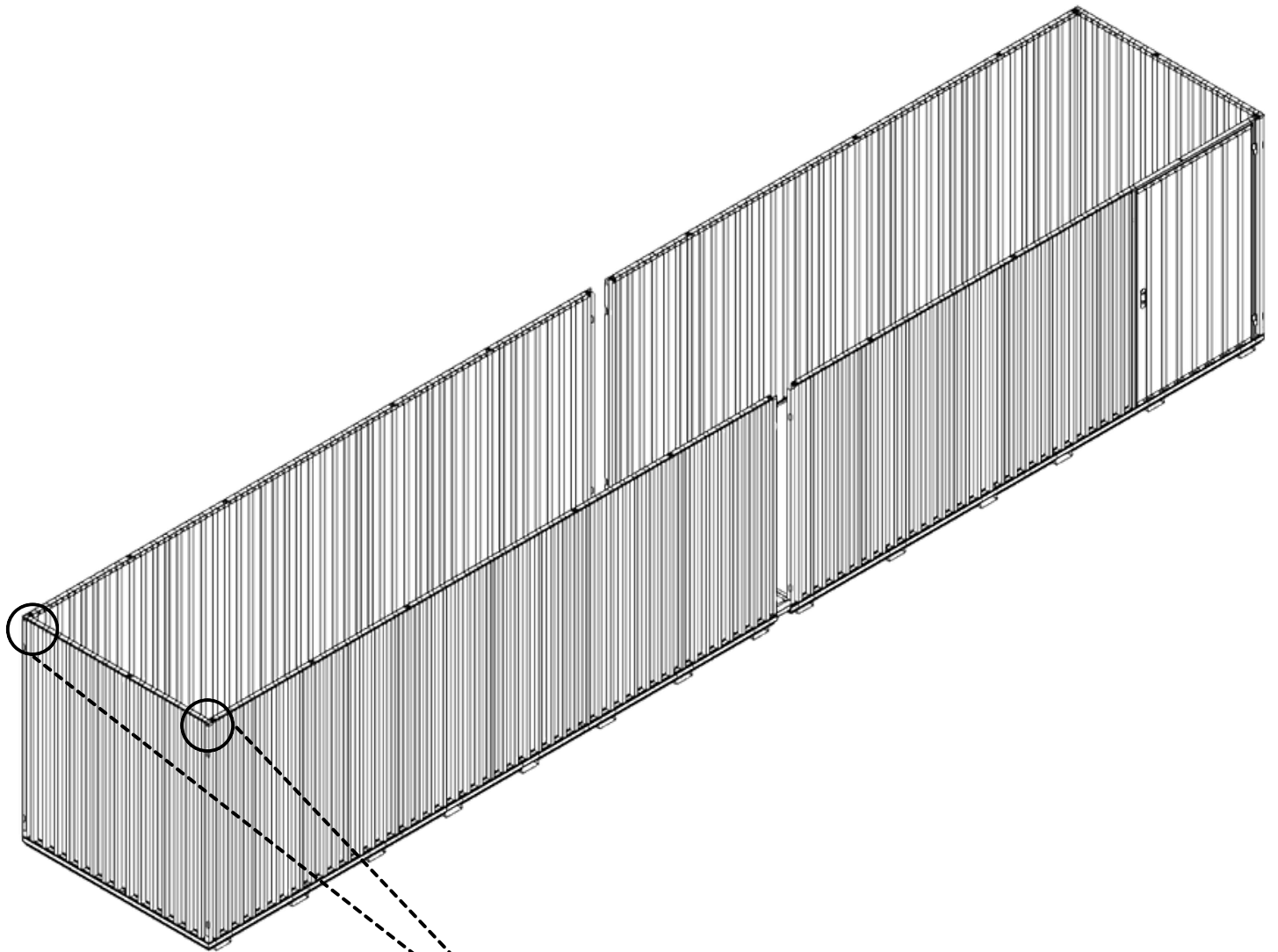
6



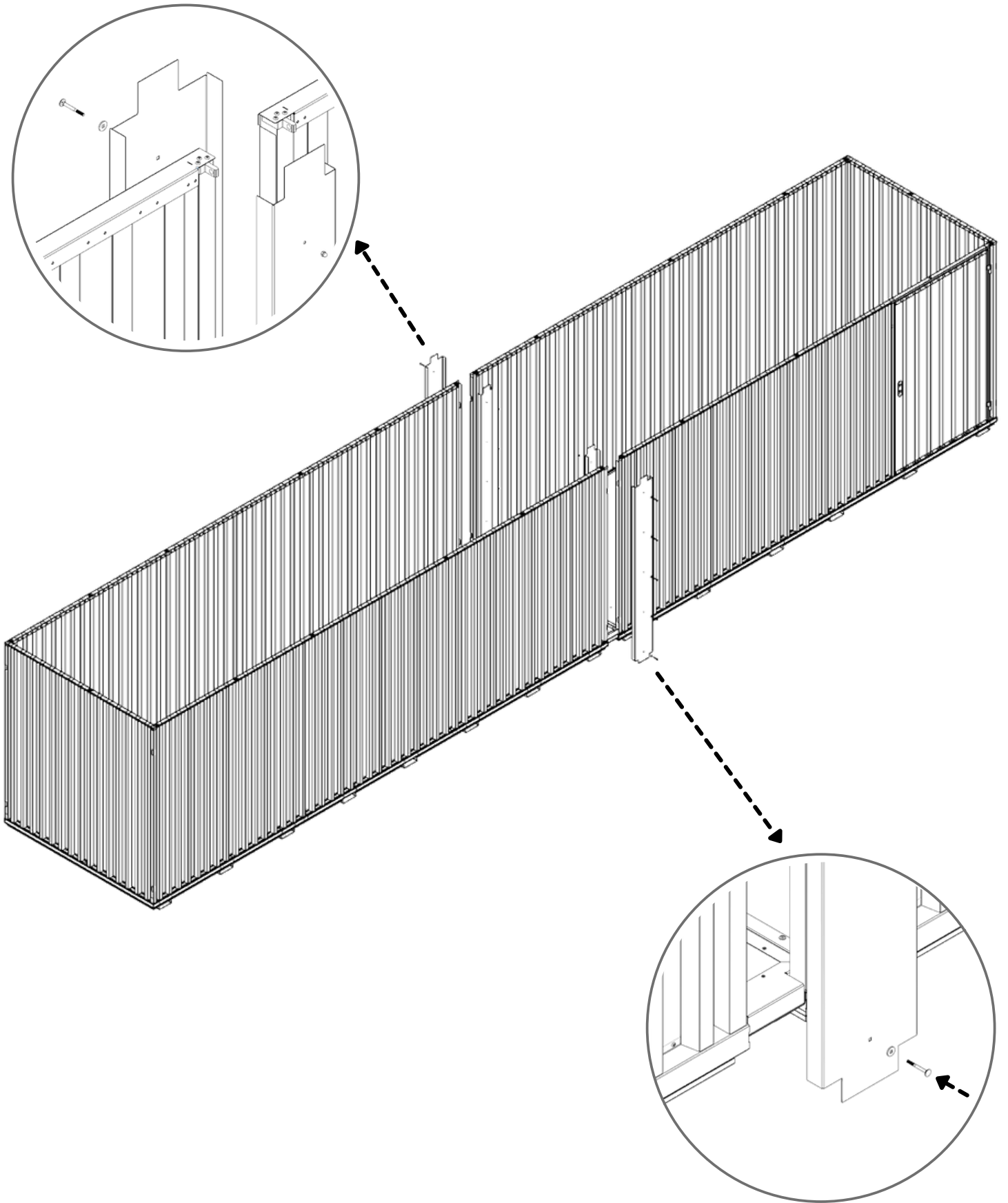
7



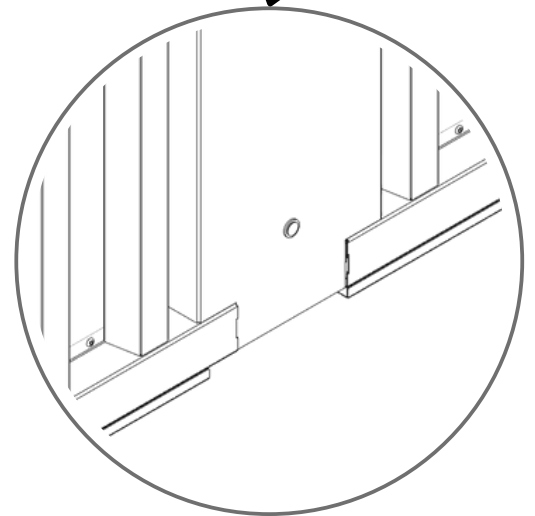
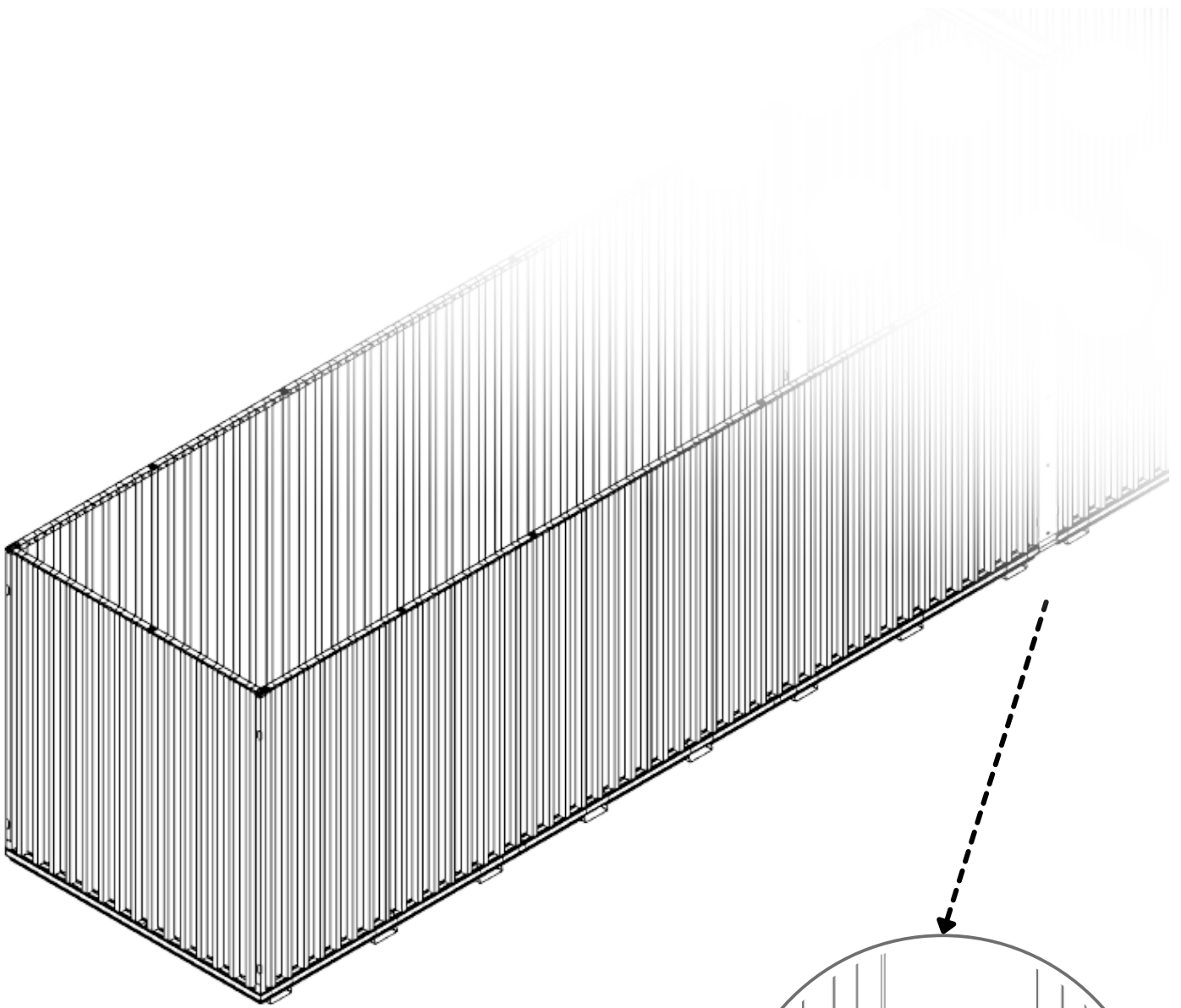
7.1



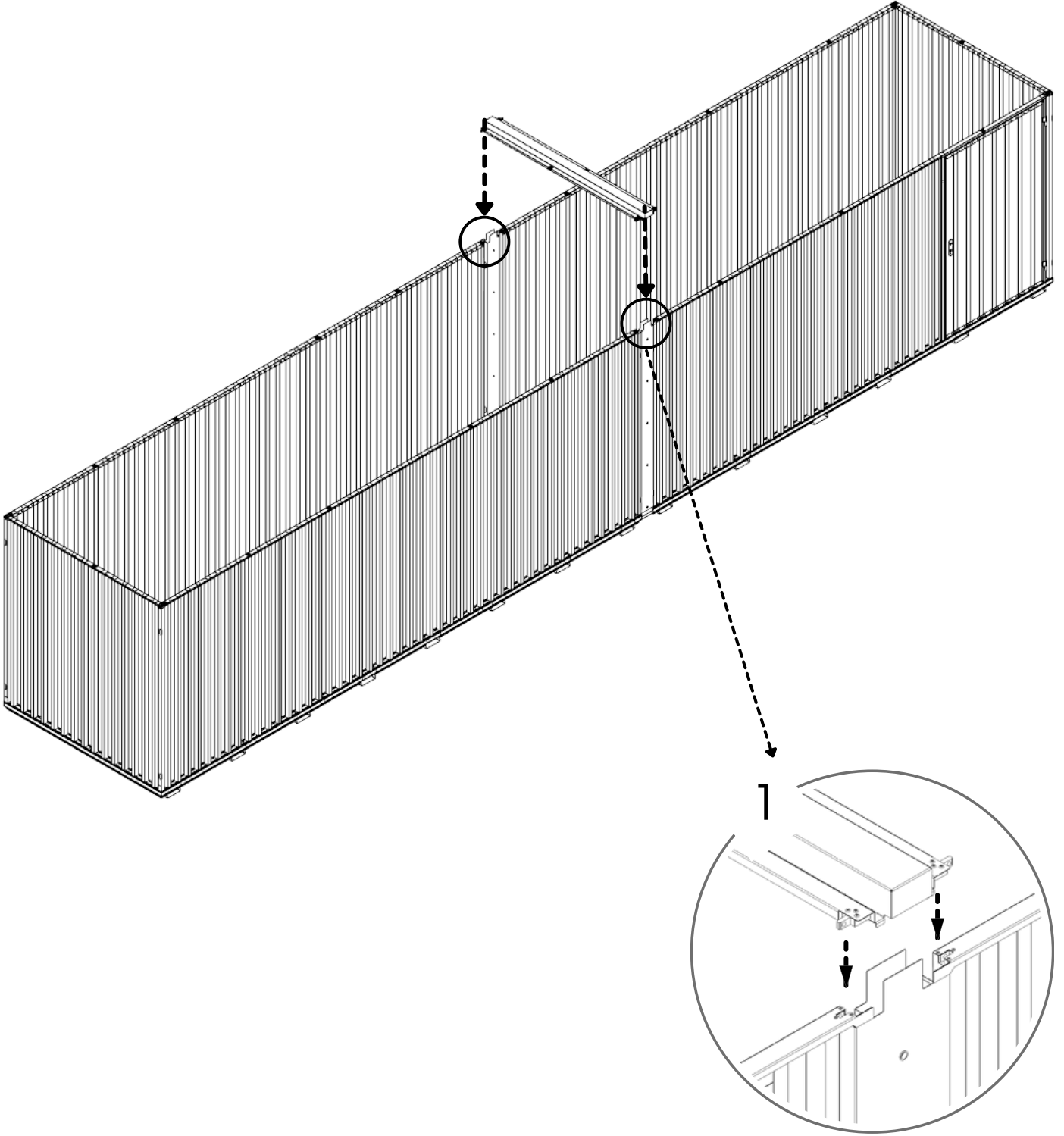
8



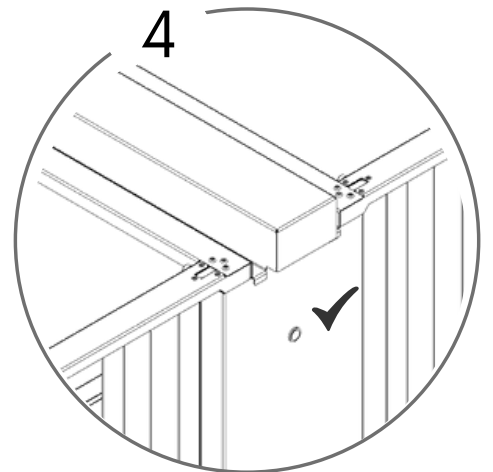
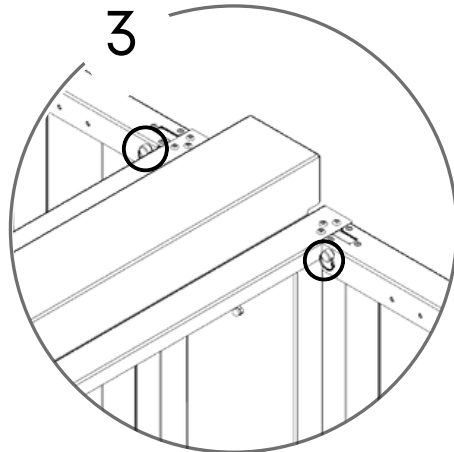
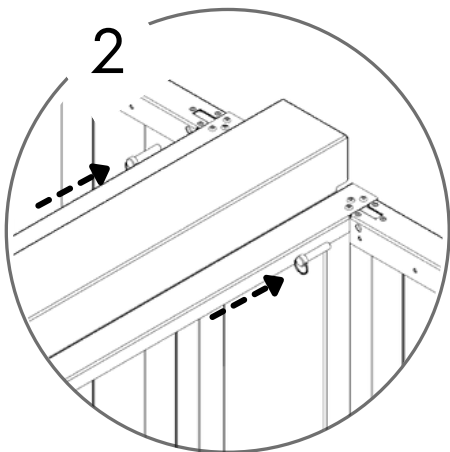
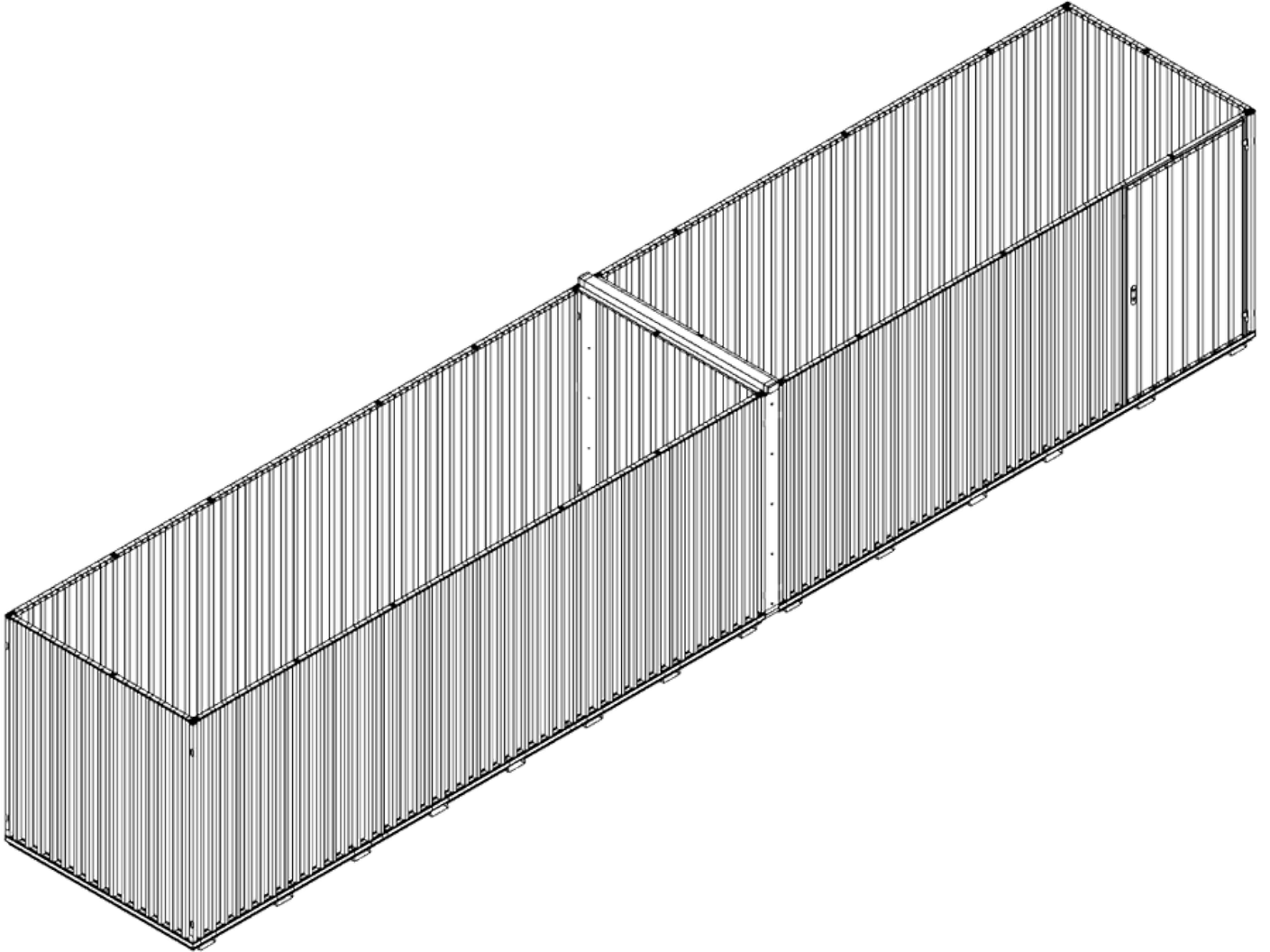
9











10

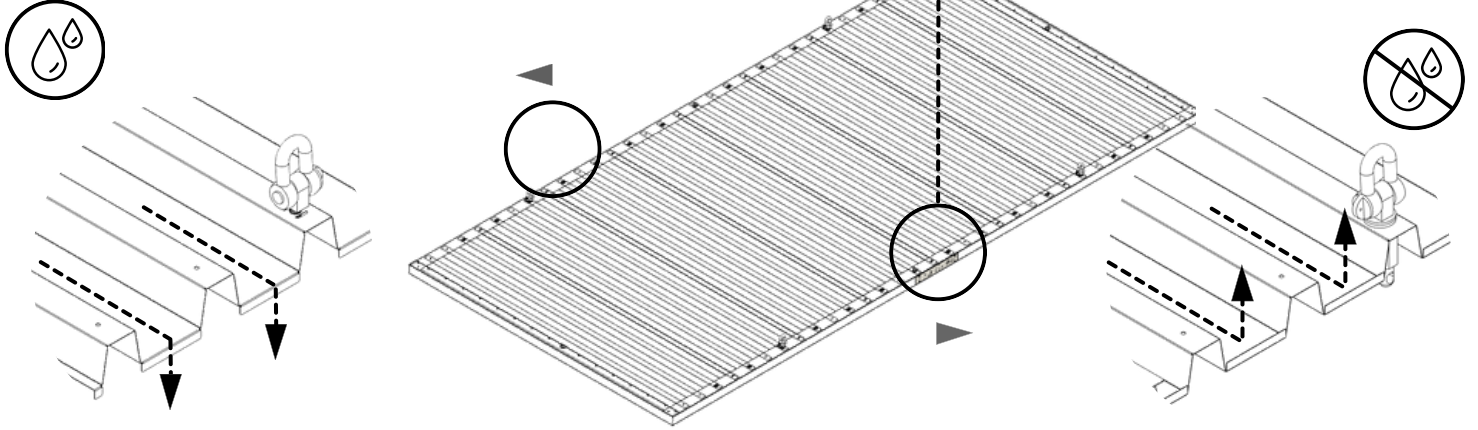


11

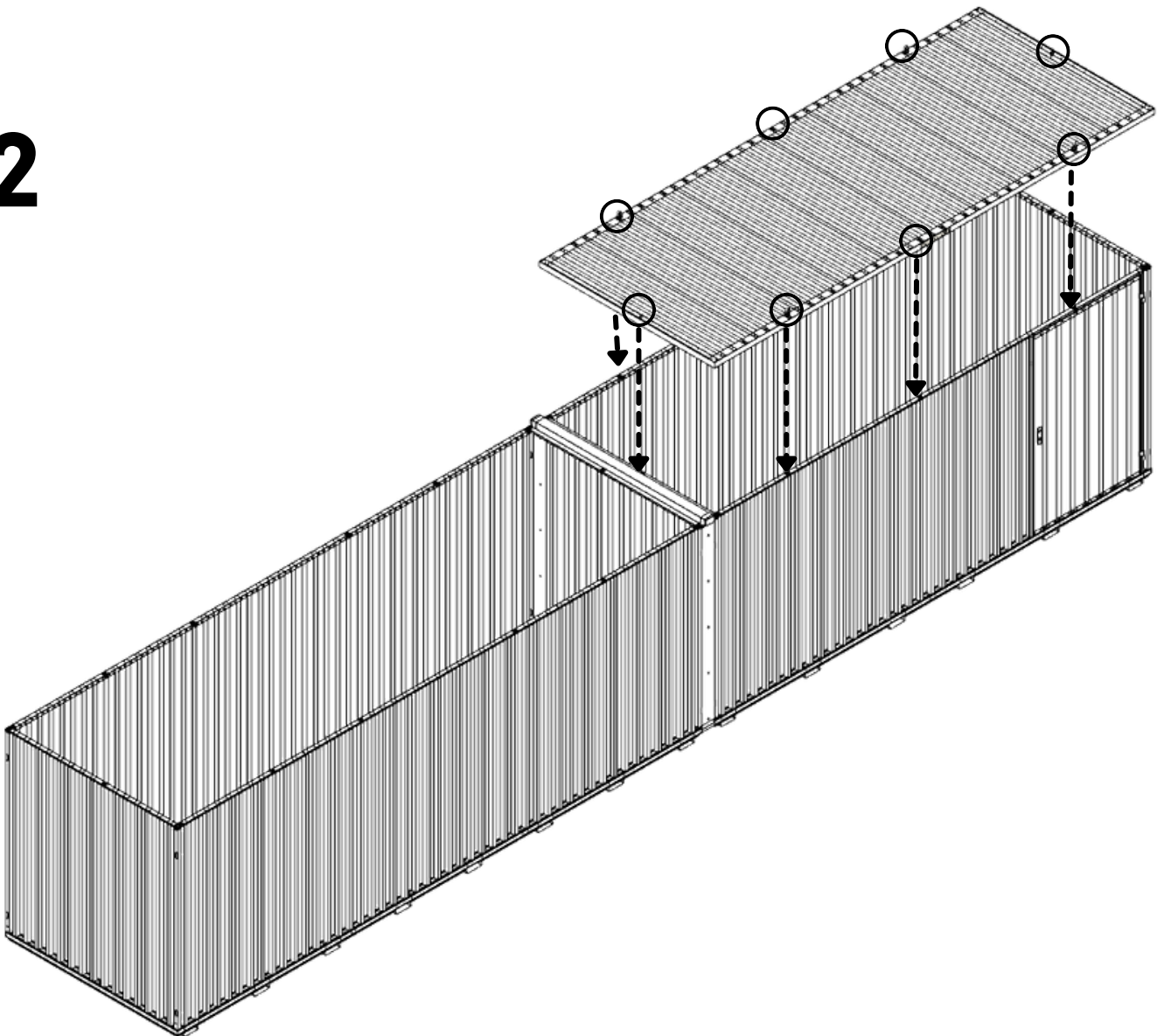




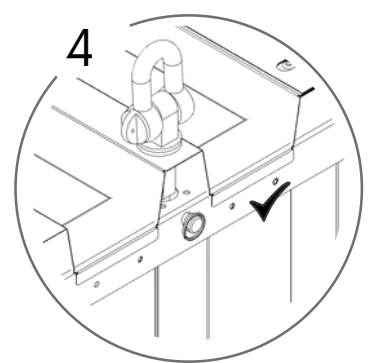
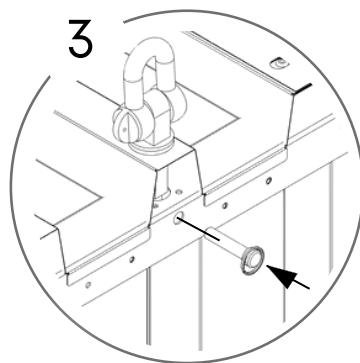
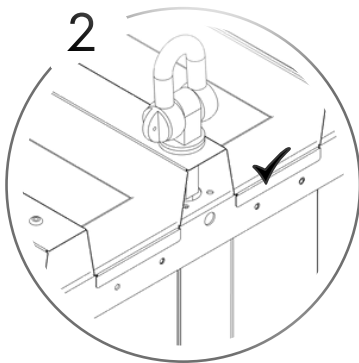
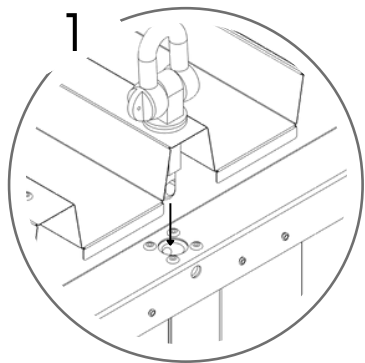
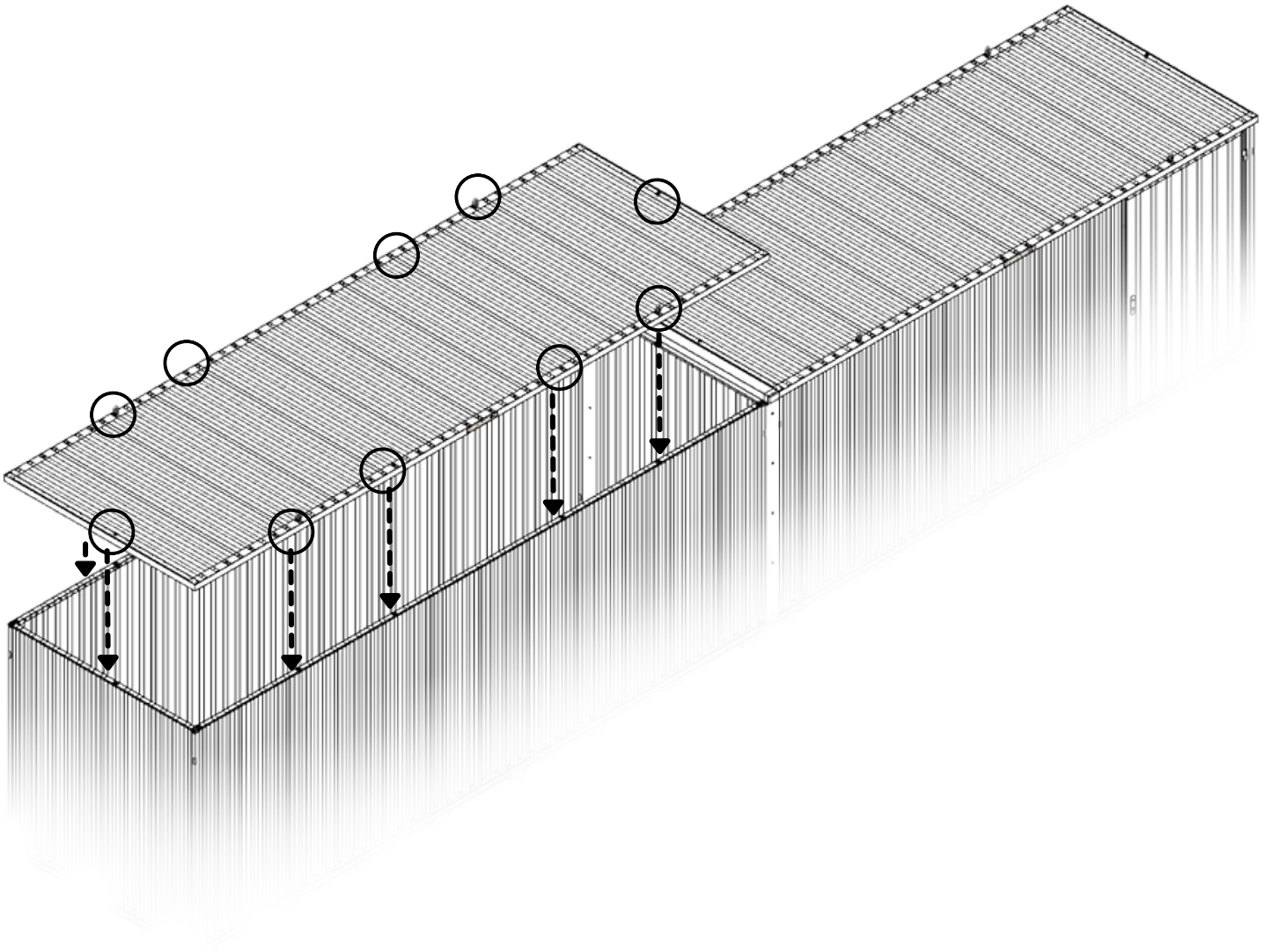
 1025 KG	 1640 MM	Model Code: 6050.110.440 Production Tracking Code:/X09.1.6050.440	  	 	
--	--	---	--	---	---



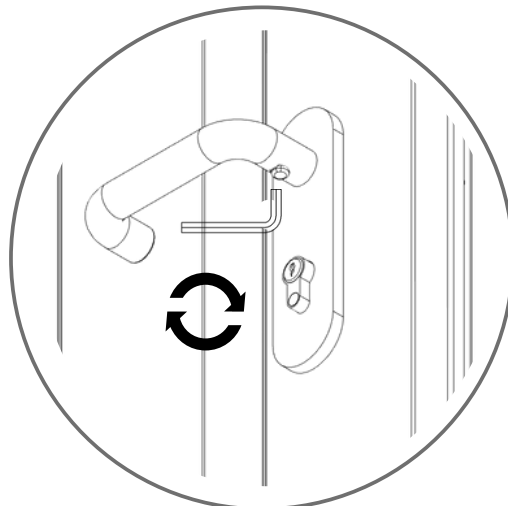
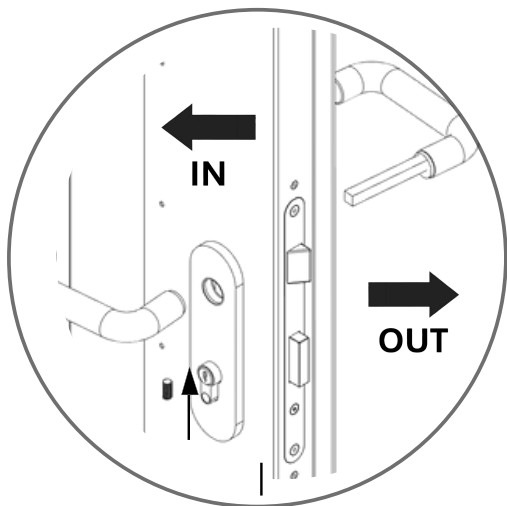
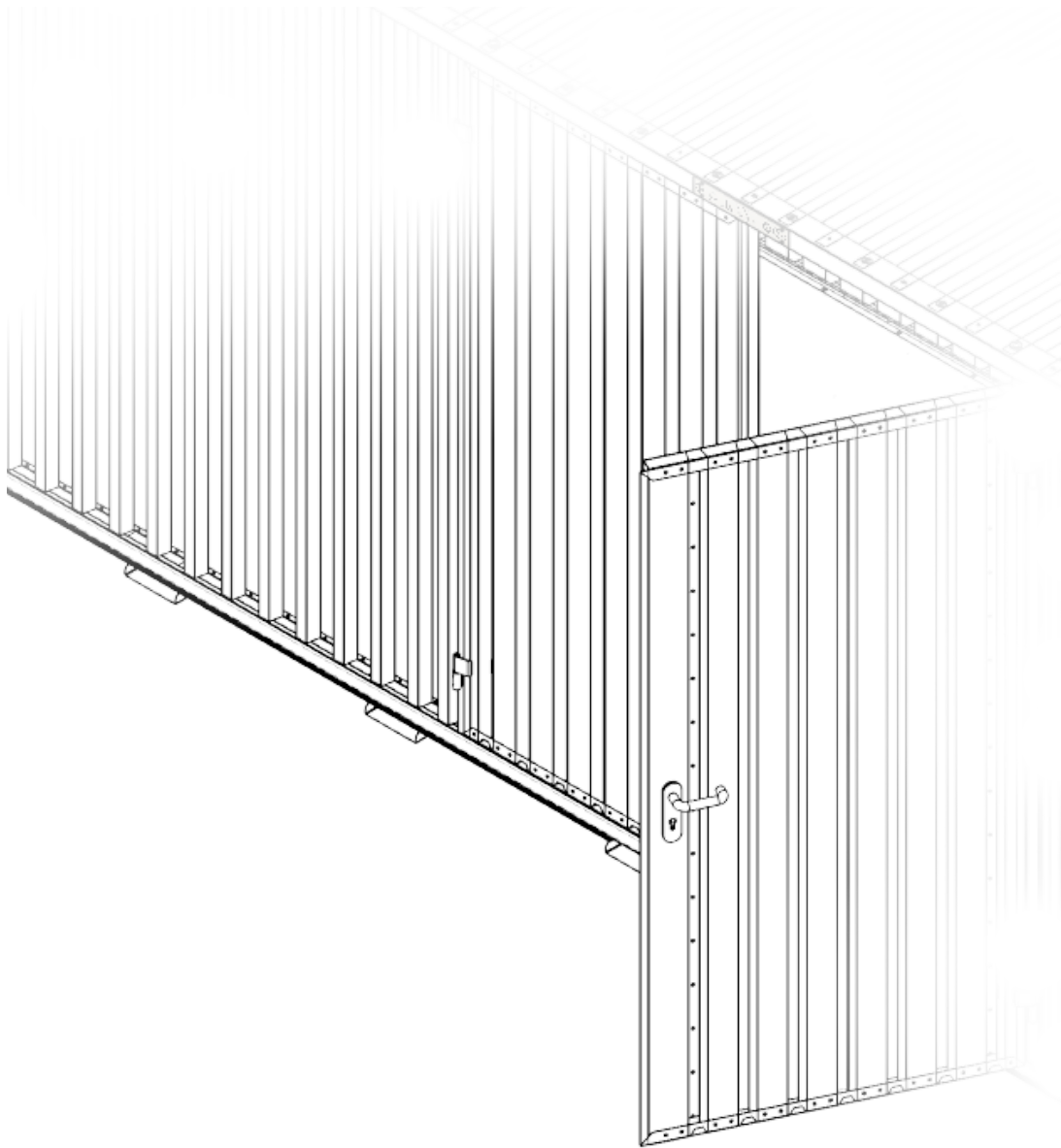
12



13



14



15

