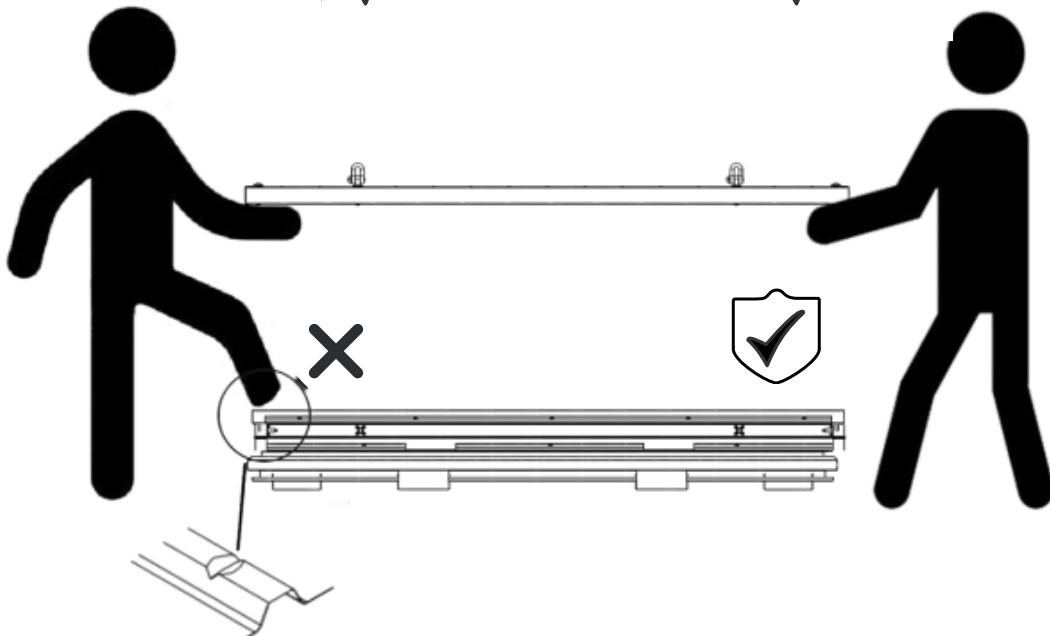
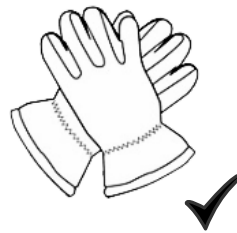
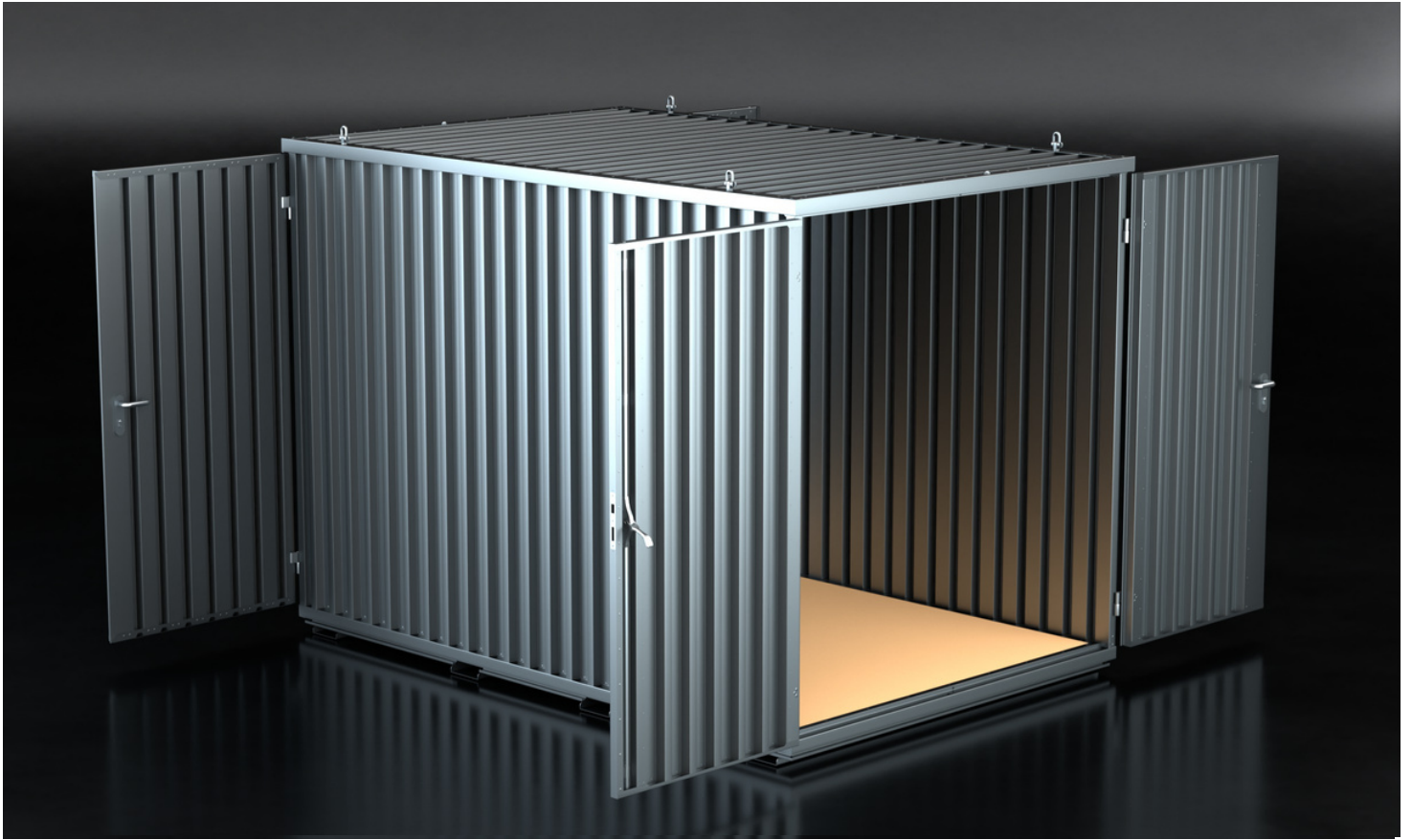


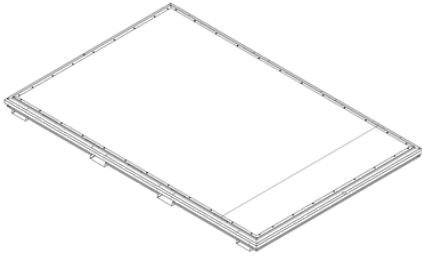
PRODUCT CODE: 30.110.330.331

**prefabase**  
Quick Build Solutions

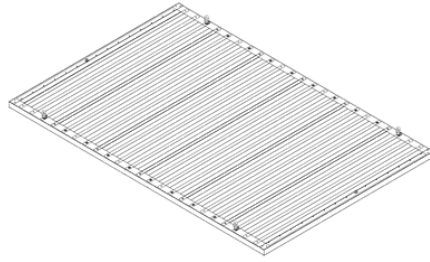
Instructions and User Guide



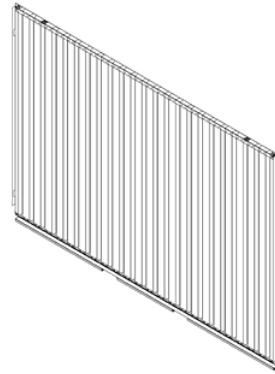
30.0110  
1x



30.0510  
1x



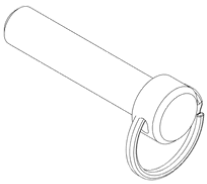
30.0410  
2x



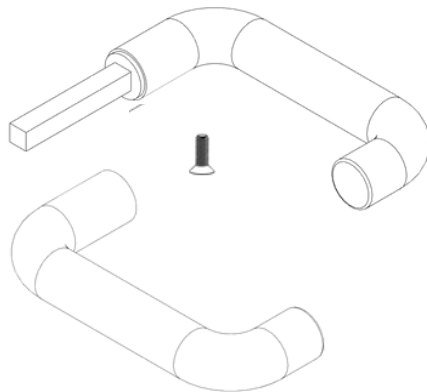
0330  
2x



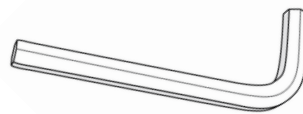
10x



2x



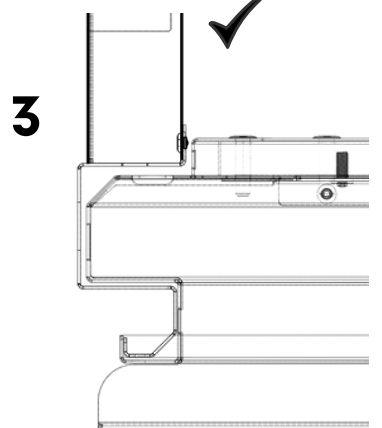
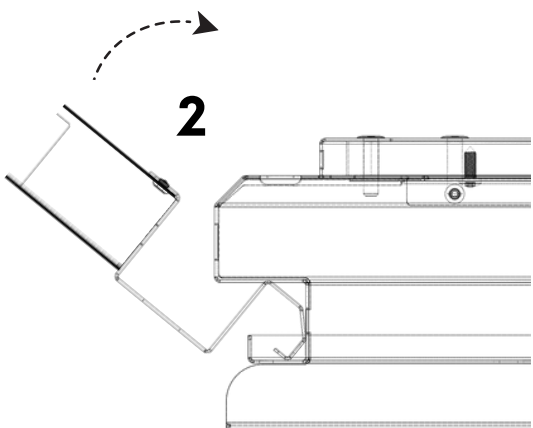
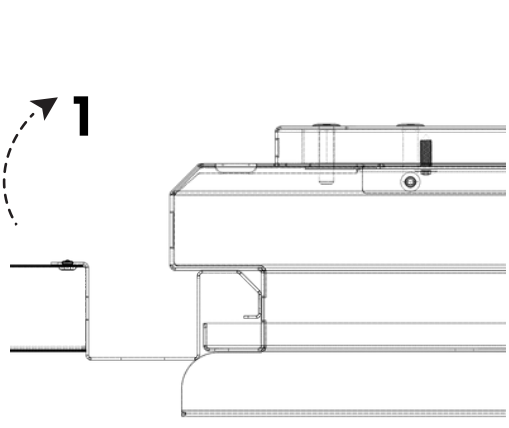
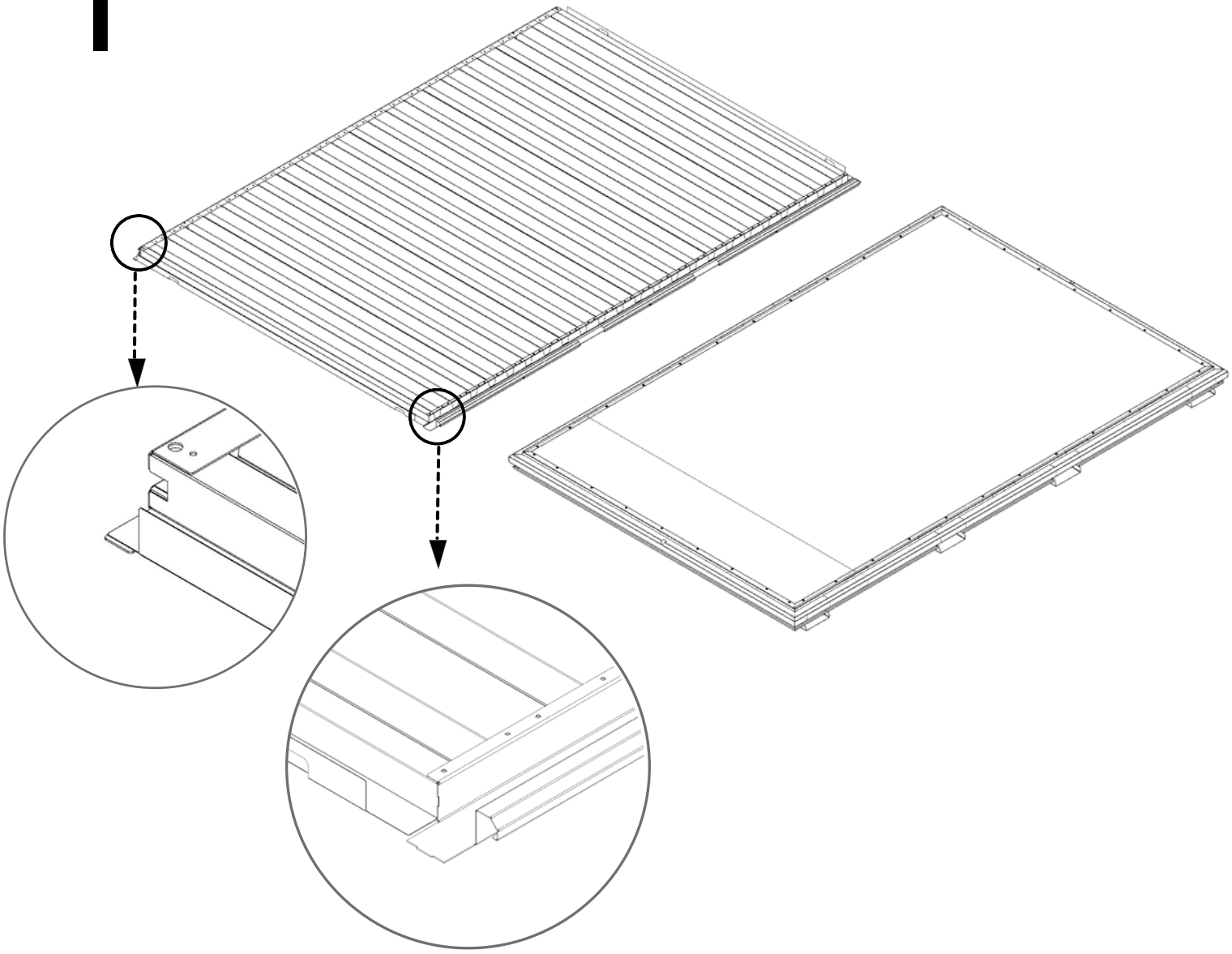
1x



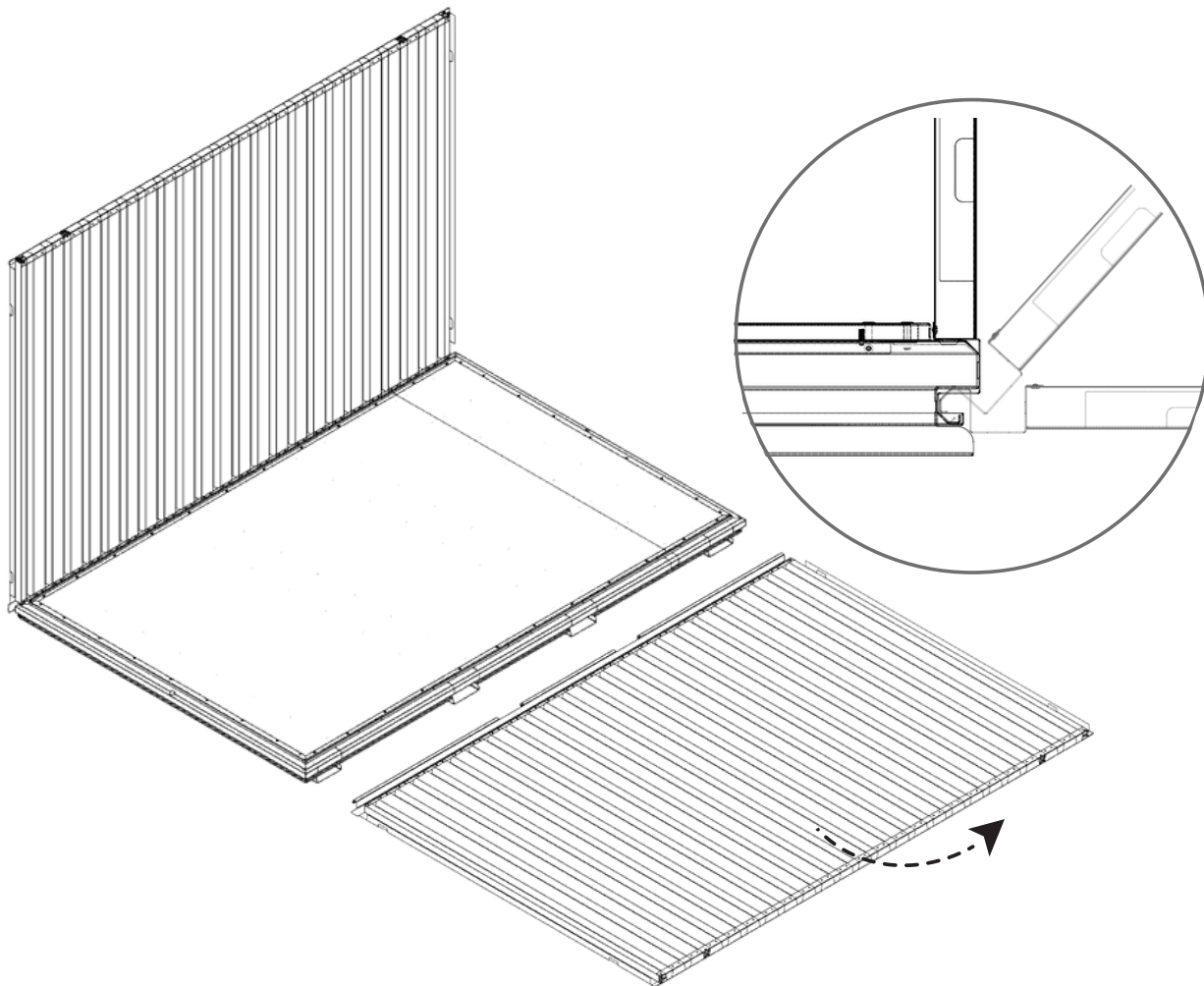
2x



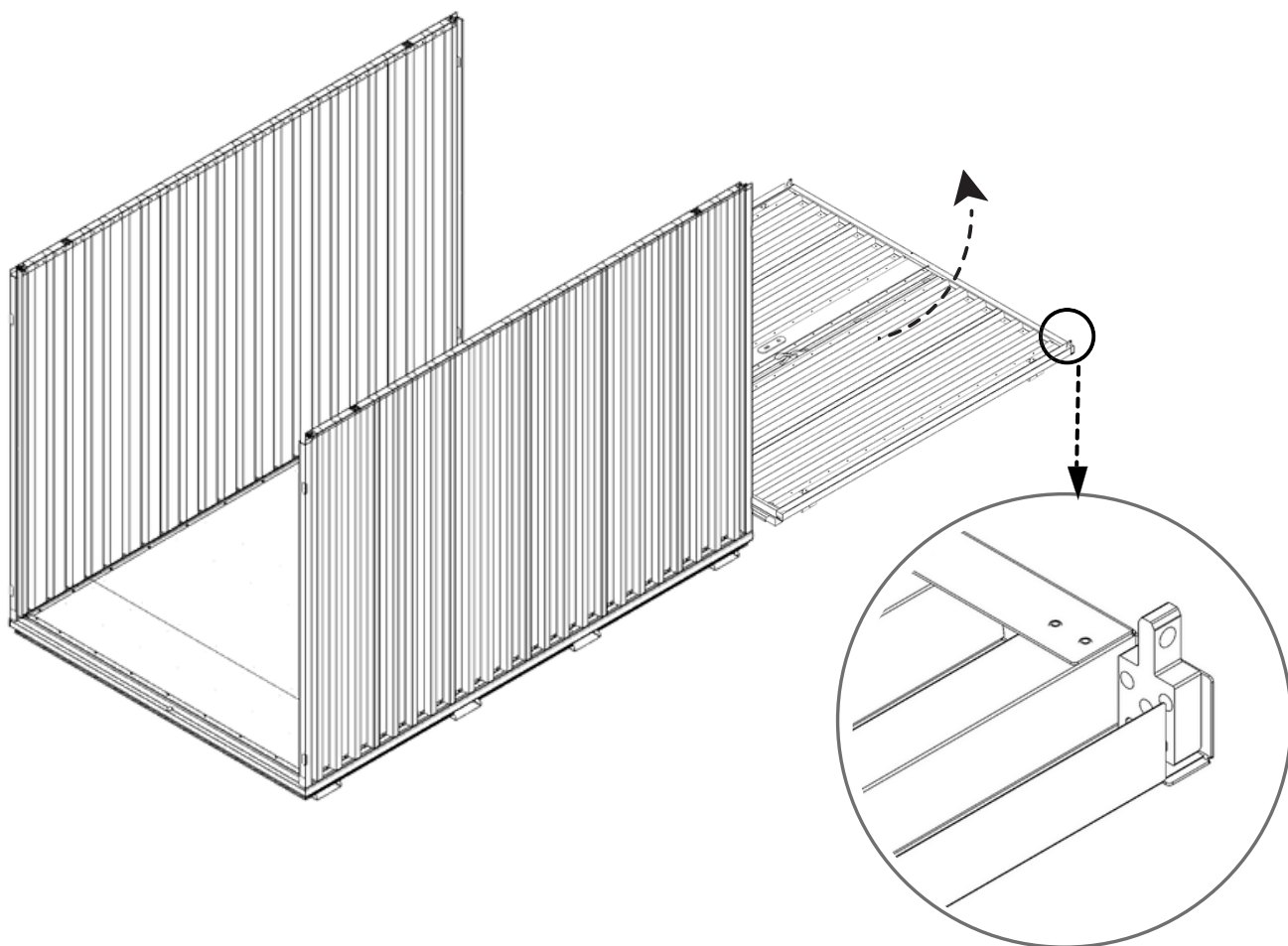
# 1



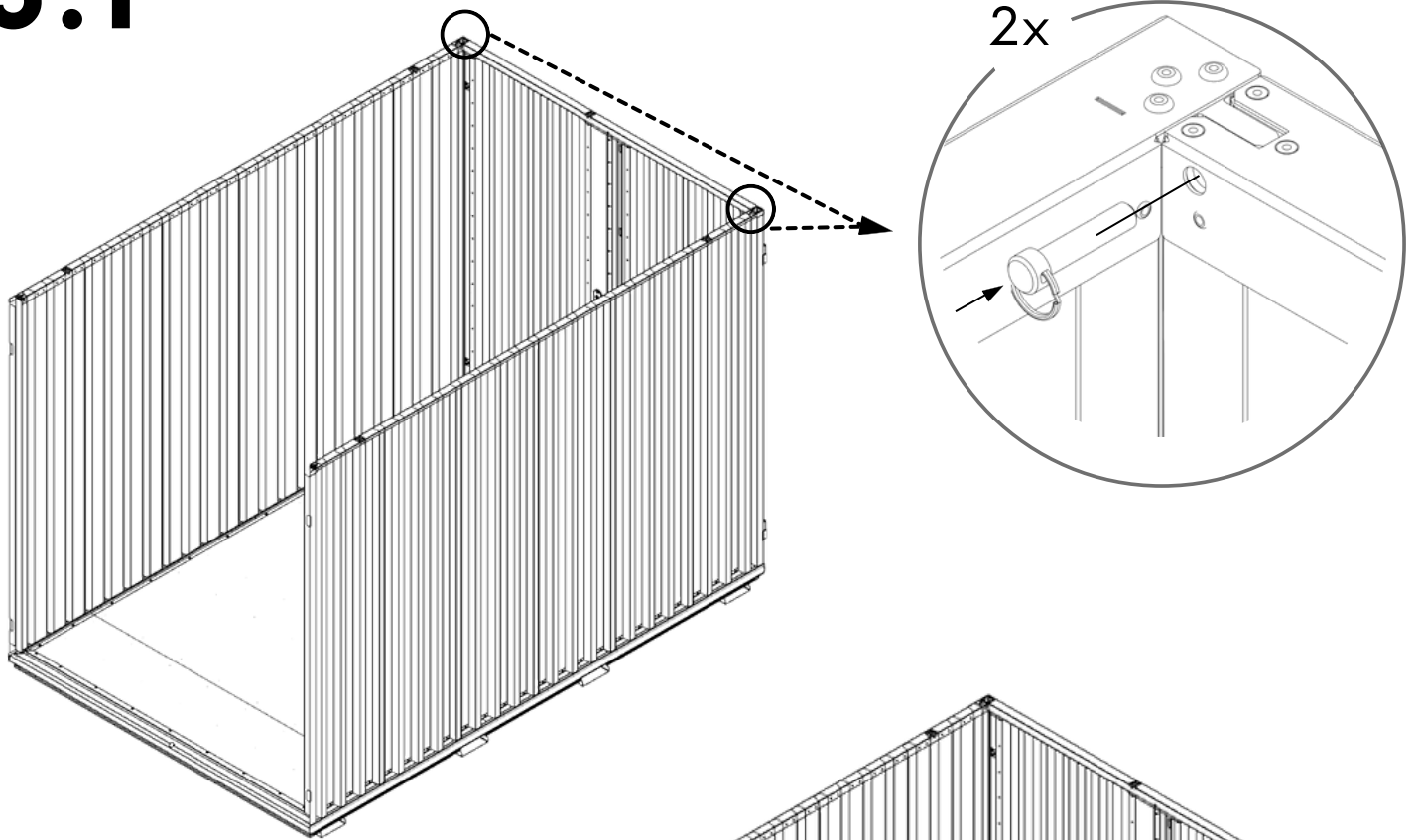
**2**



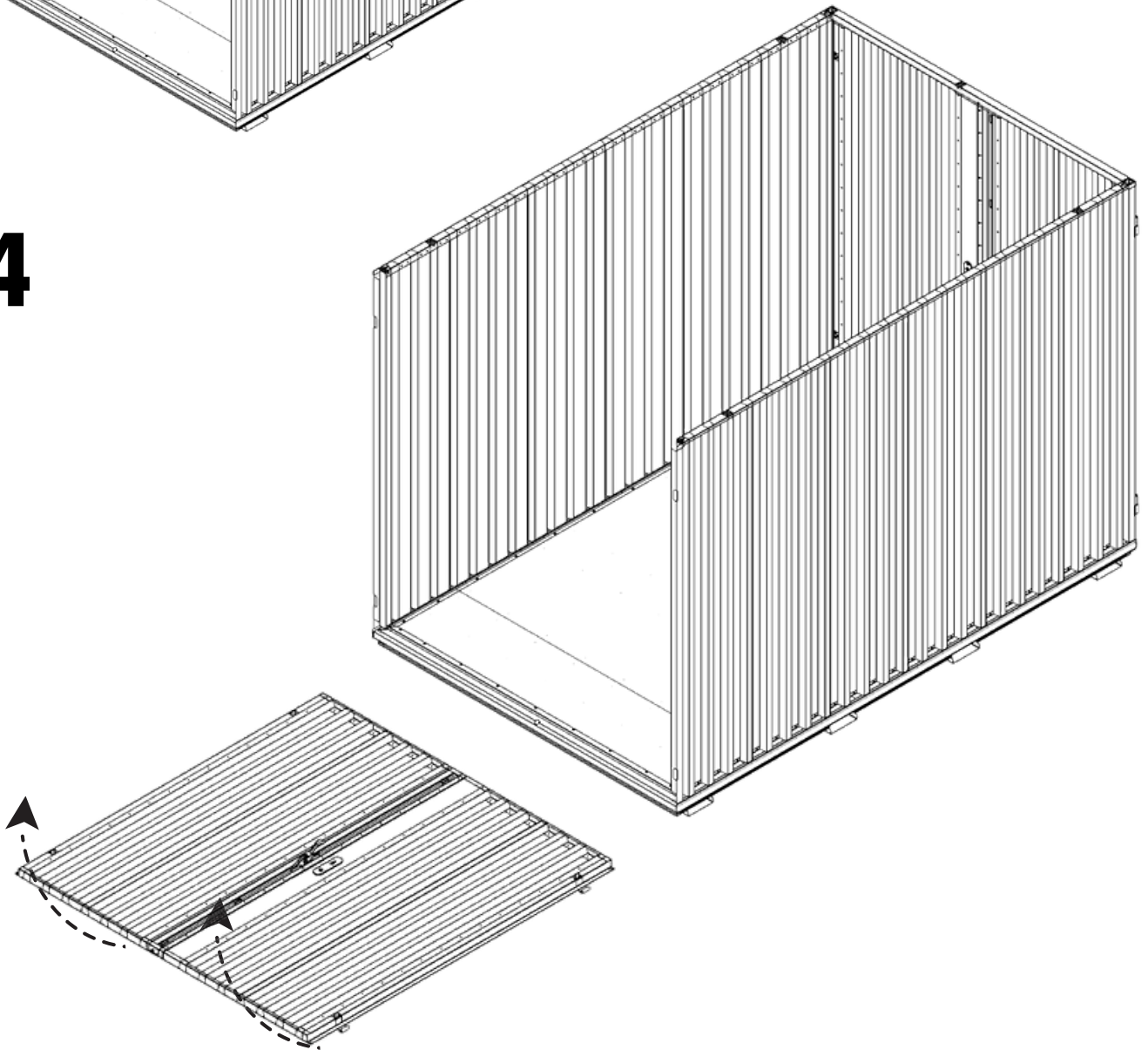
**3**



# 3.1

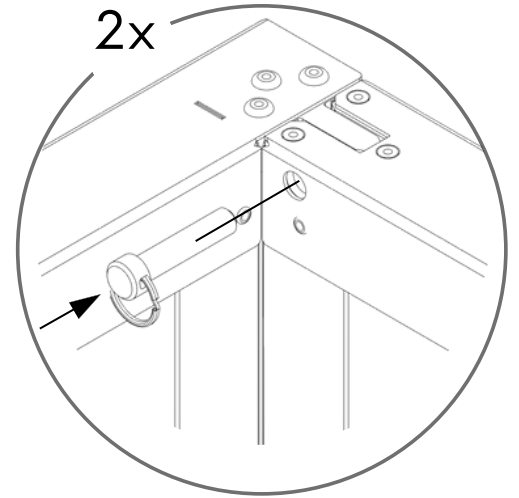
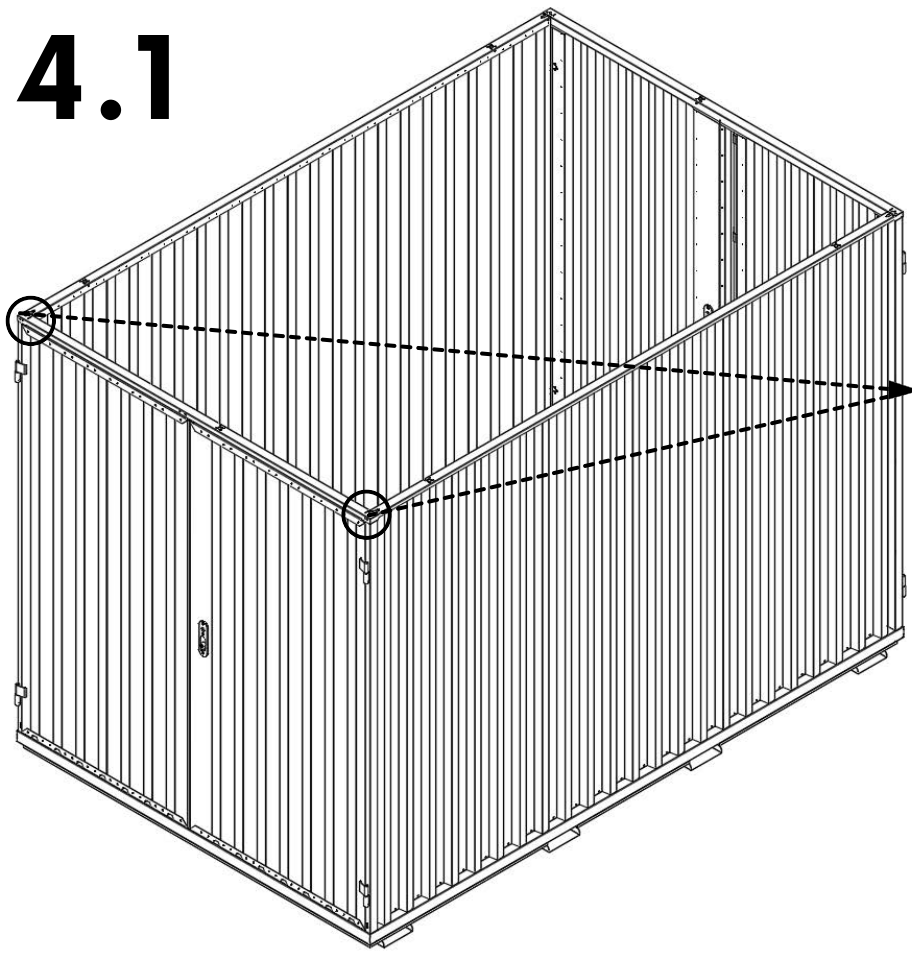










# 4

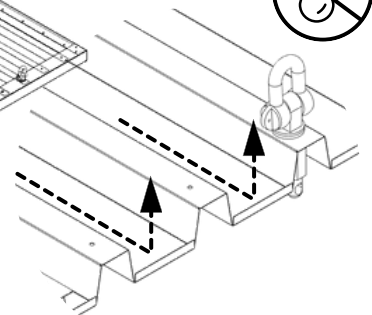
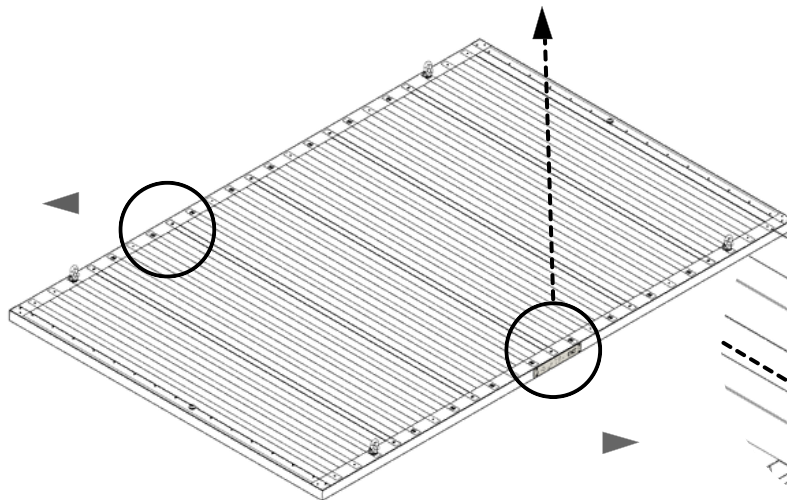
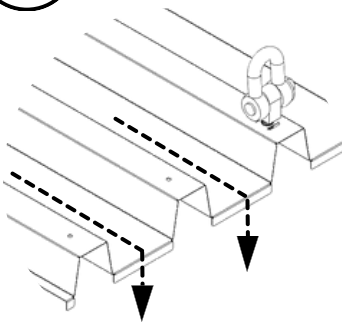




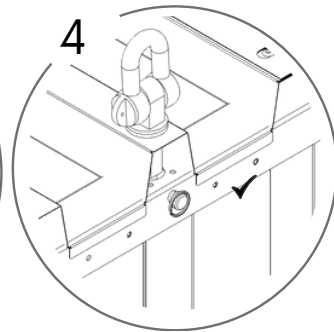
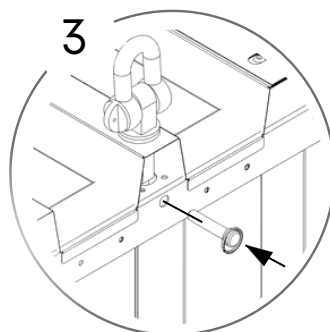
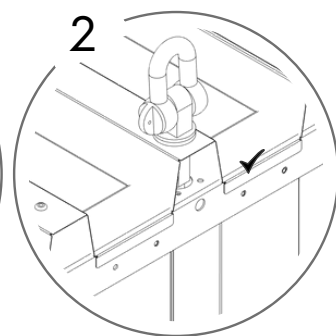
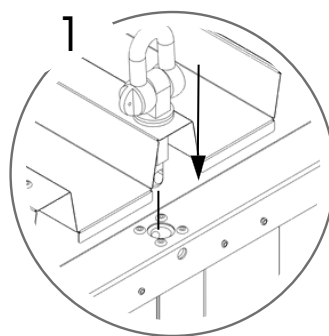
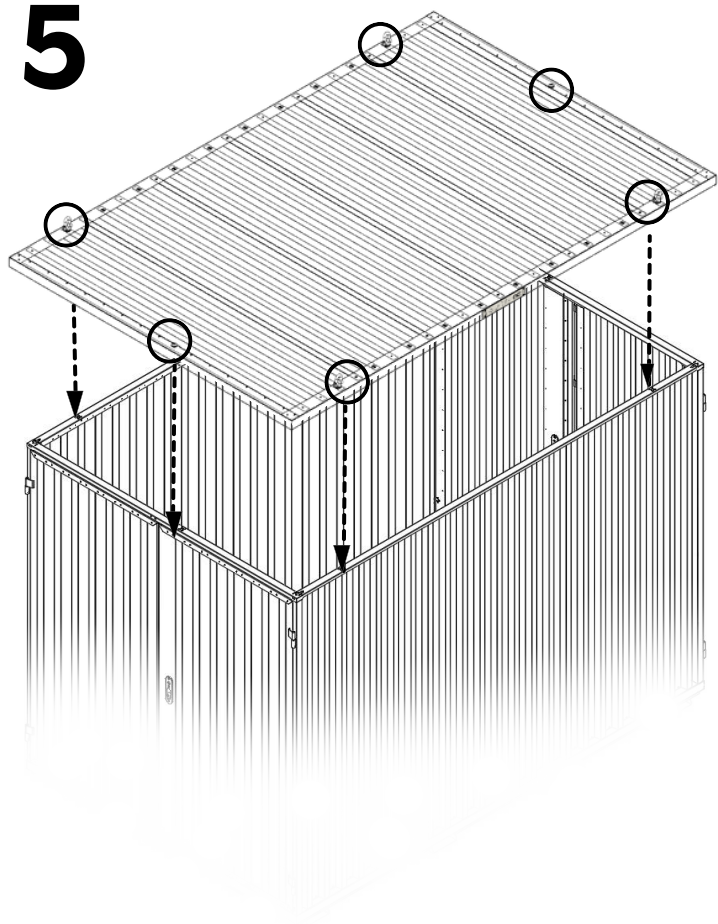
# 4.1



 360 KG	 1640 MM	Model Code: 30.110.330.331 Production Tracking Code: ...../X09.1.30.330.331   	 	
---	--	--	---	---



# 5



# 6

