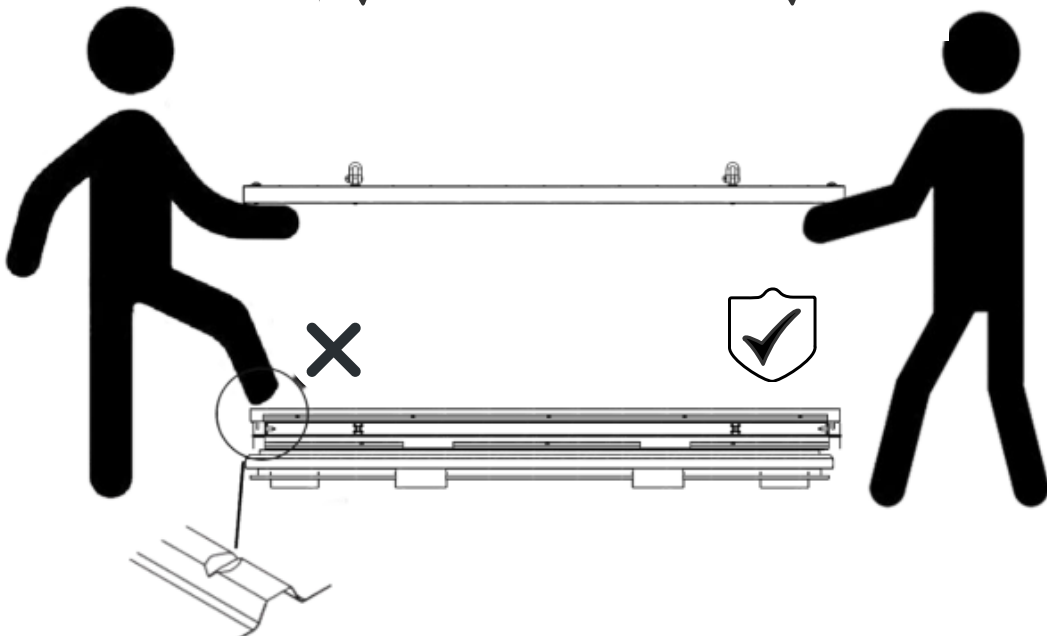
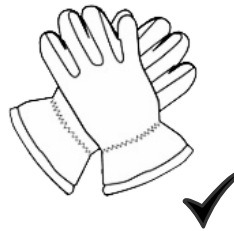


PRODUCT CODE:50.110.420.330

prefabase
Quick Build Solutions

Instructions and User Guide



50.0110
1x

50.0510
1x

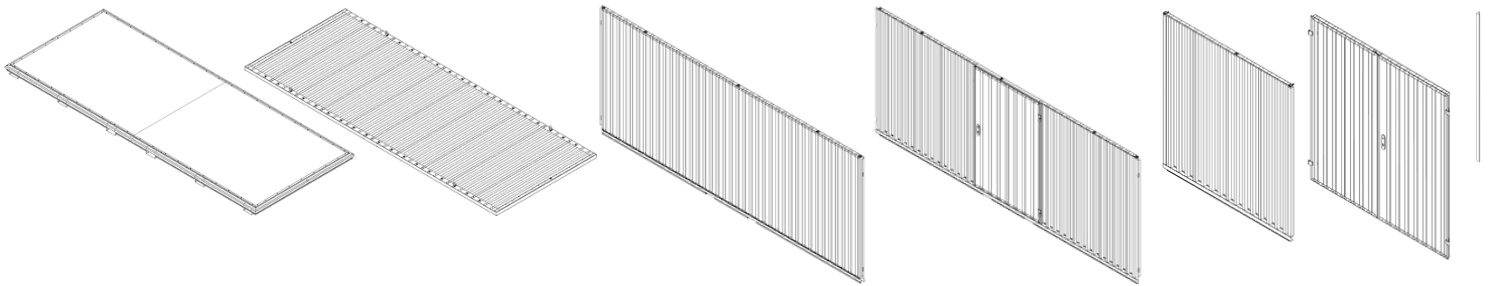
50.0410
1x

50.0420
1x

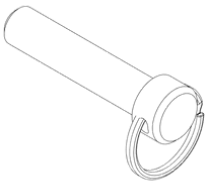
0310
1x

0330
1x

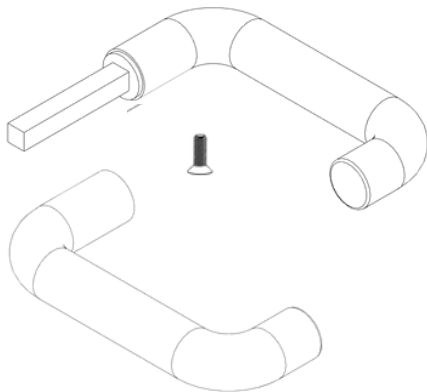
61.101
2x



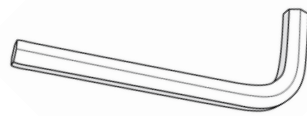
12x



2x



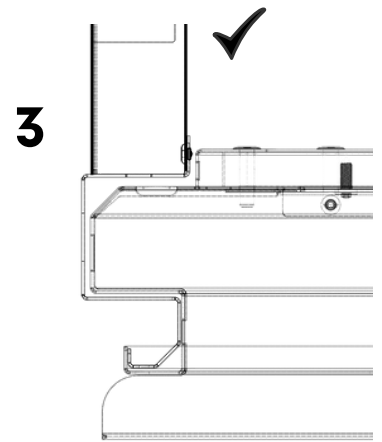
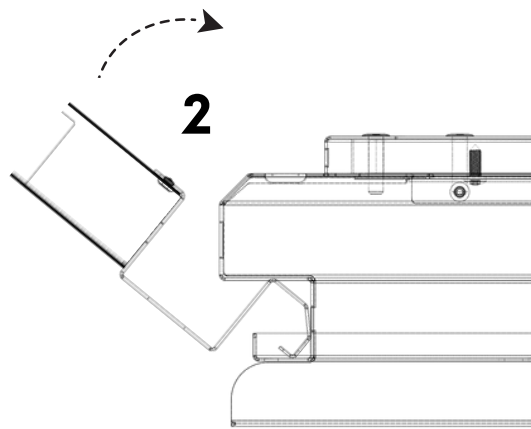
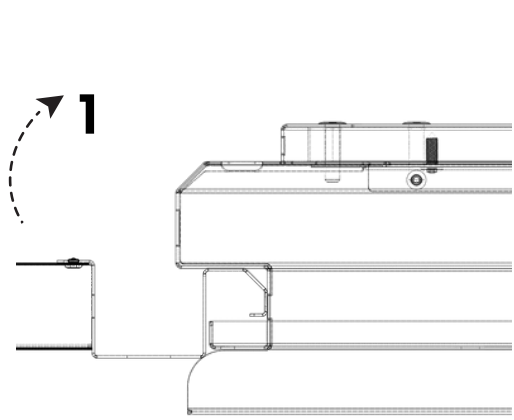
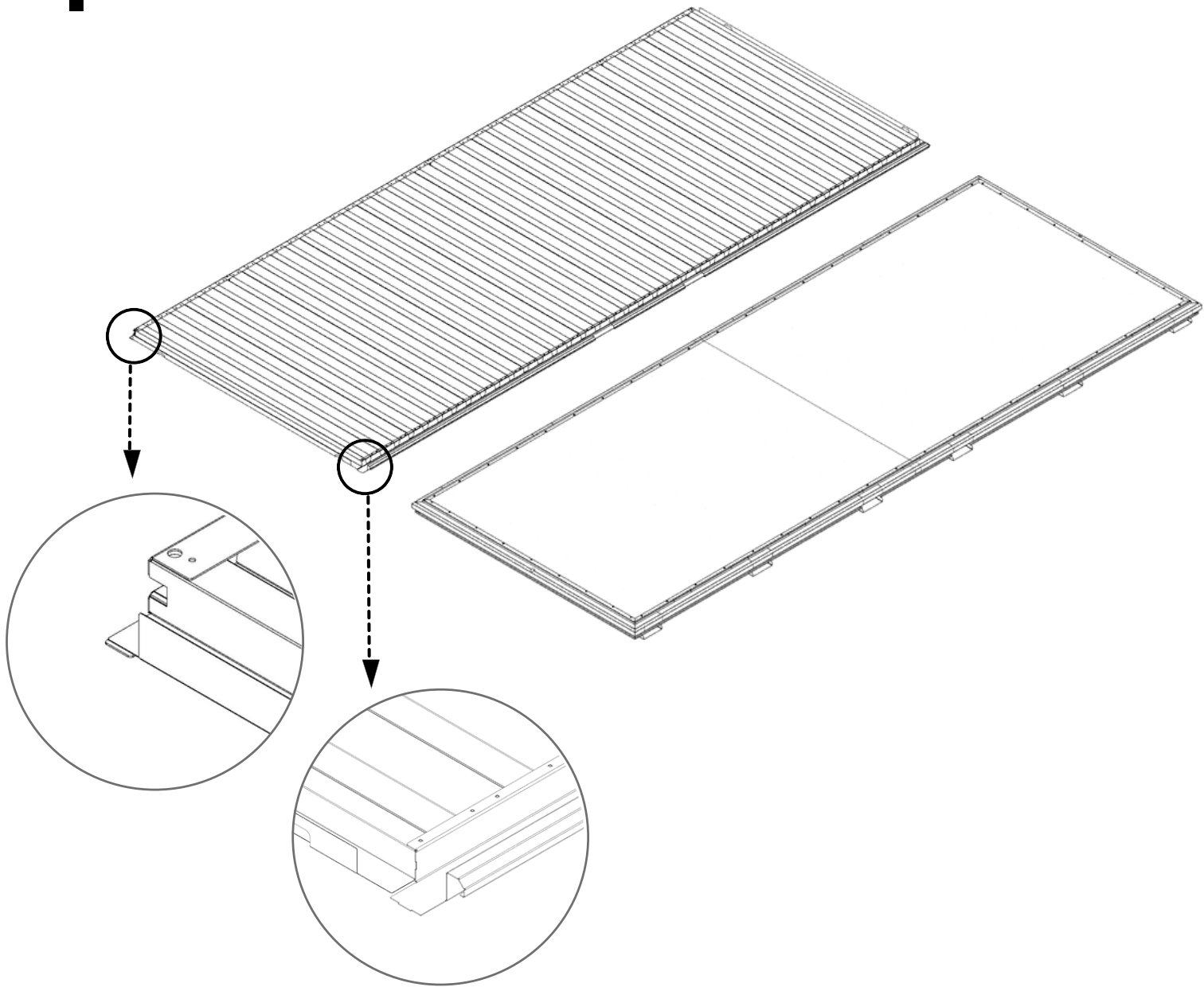
1x



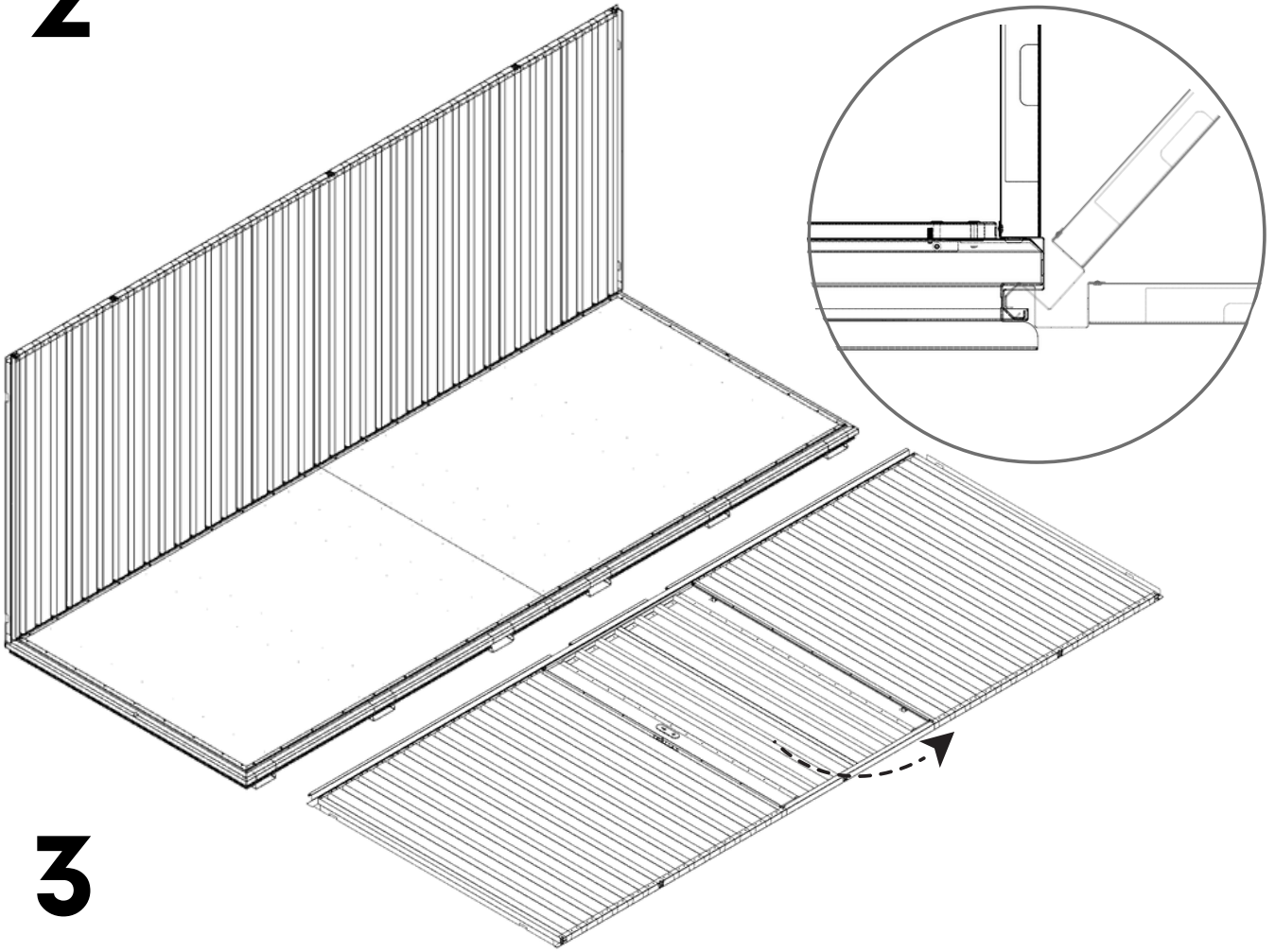
2x



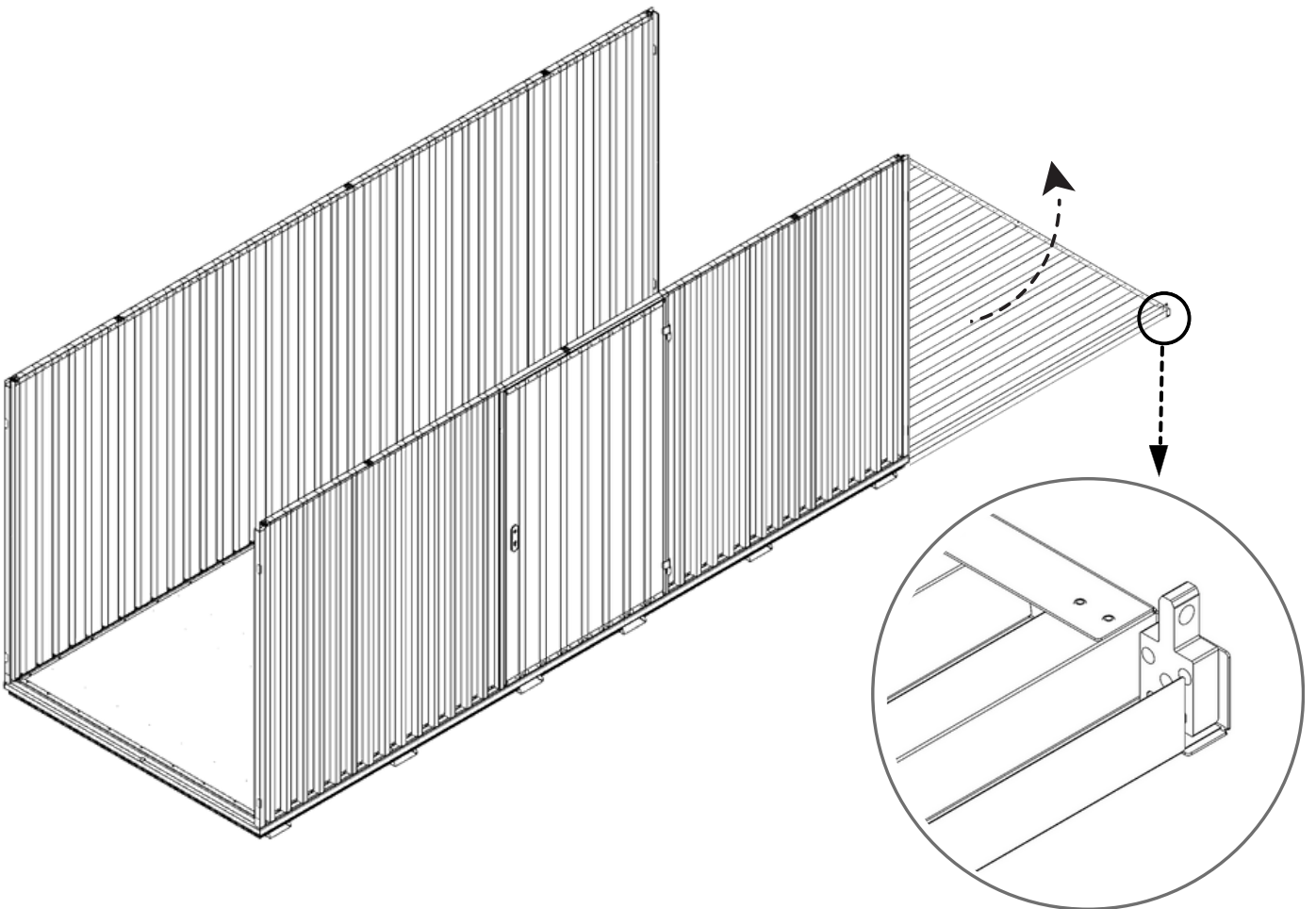
1



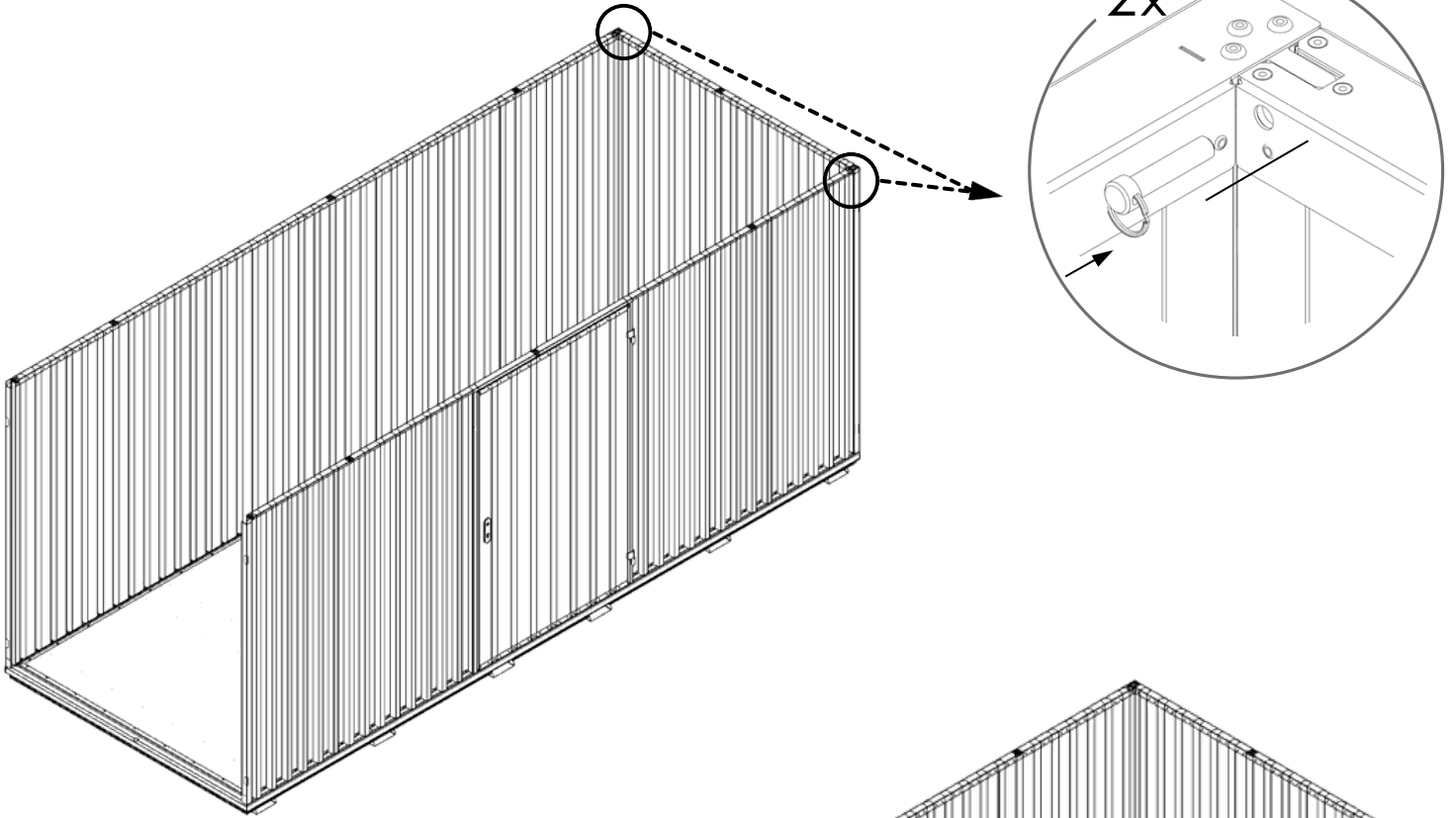
2



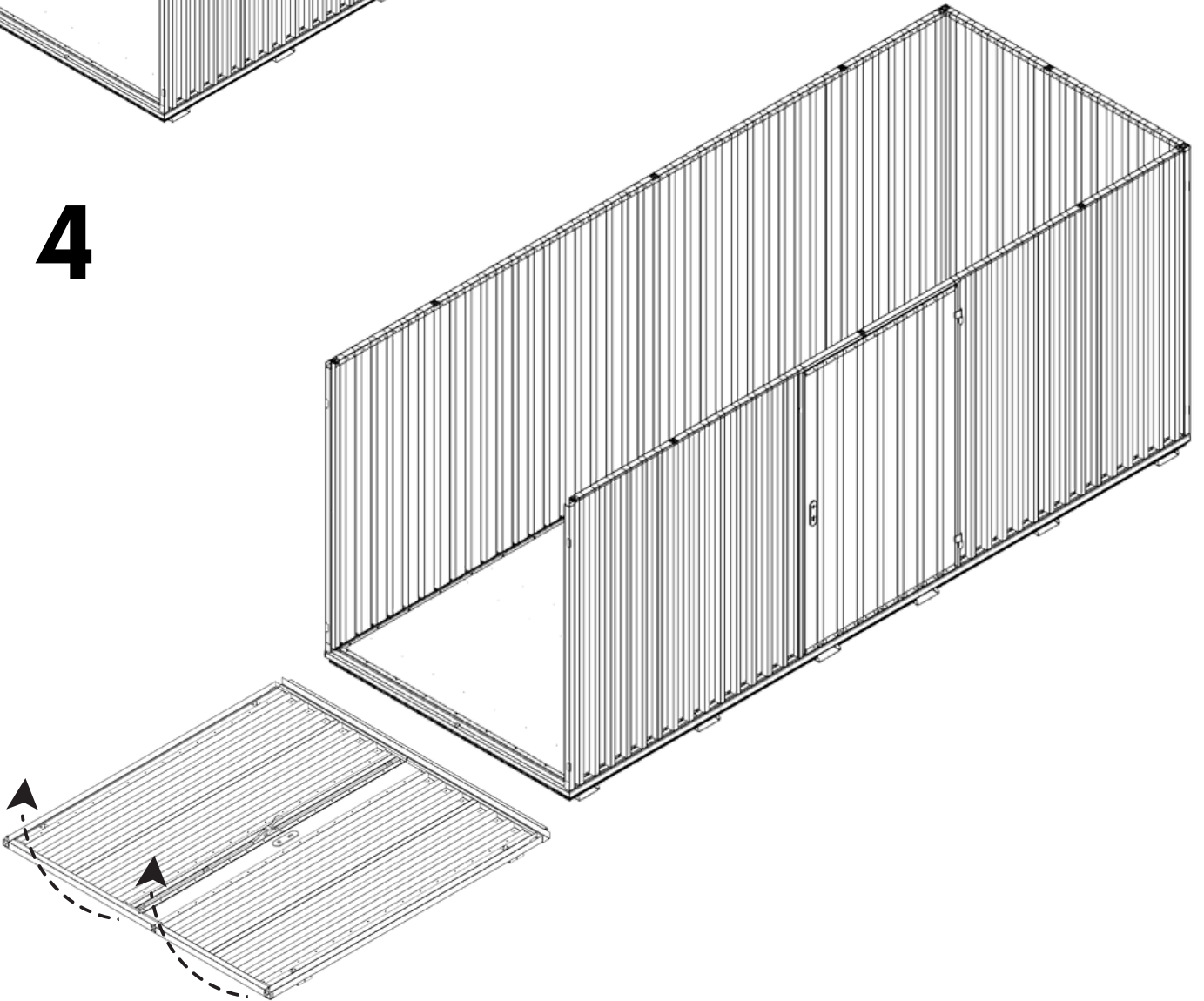
3



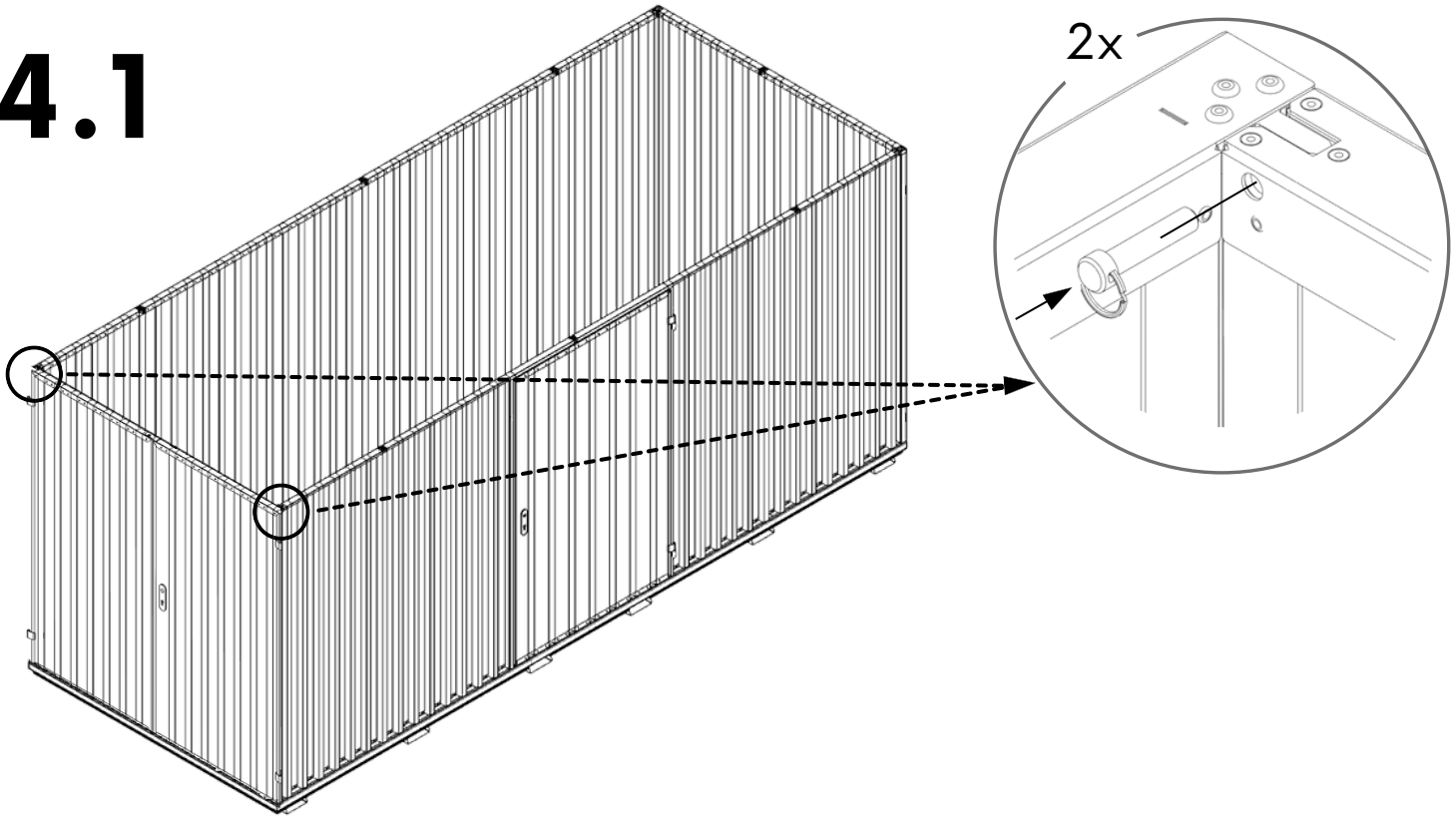
3.1



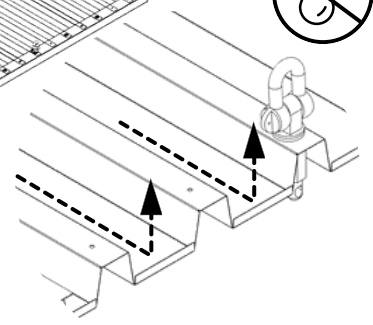
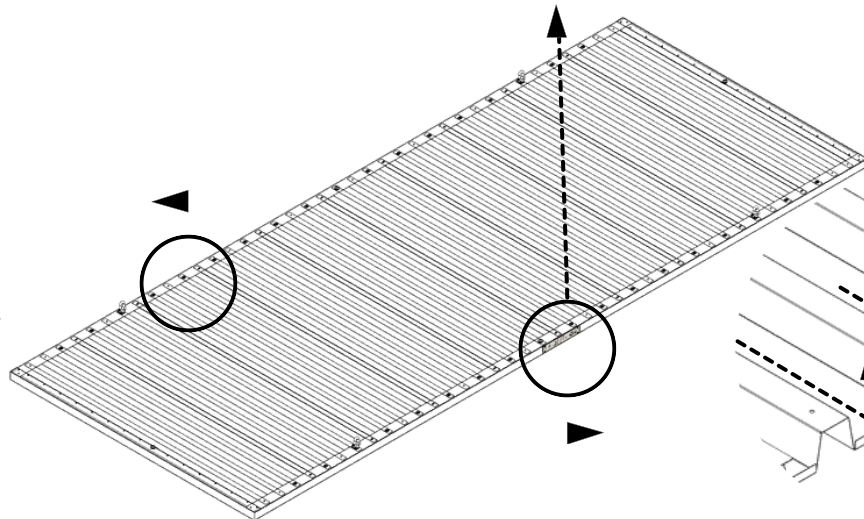
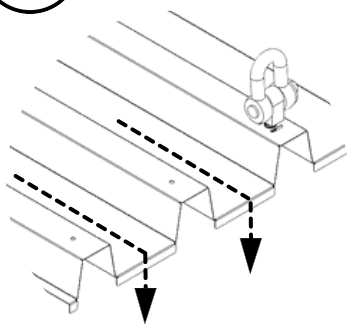
4



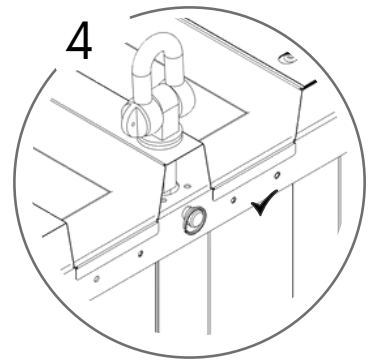
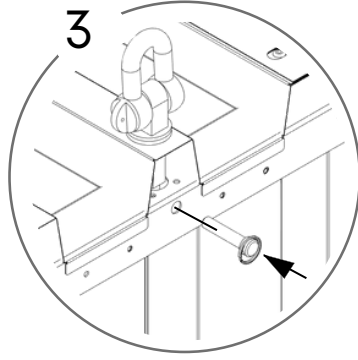
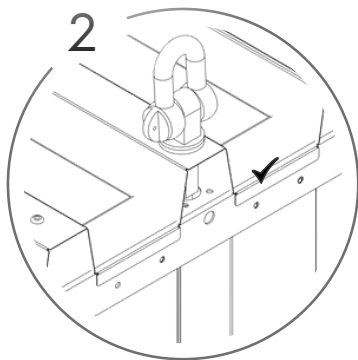
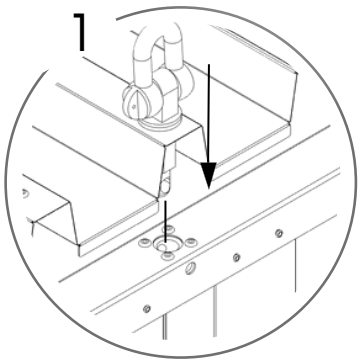
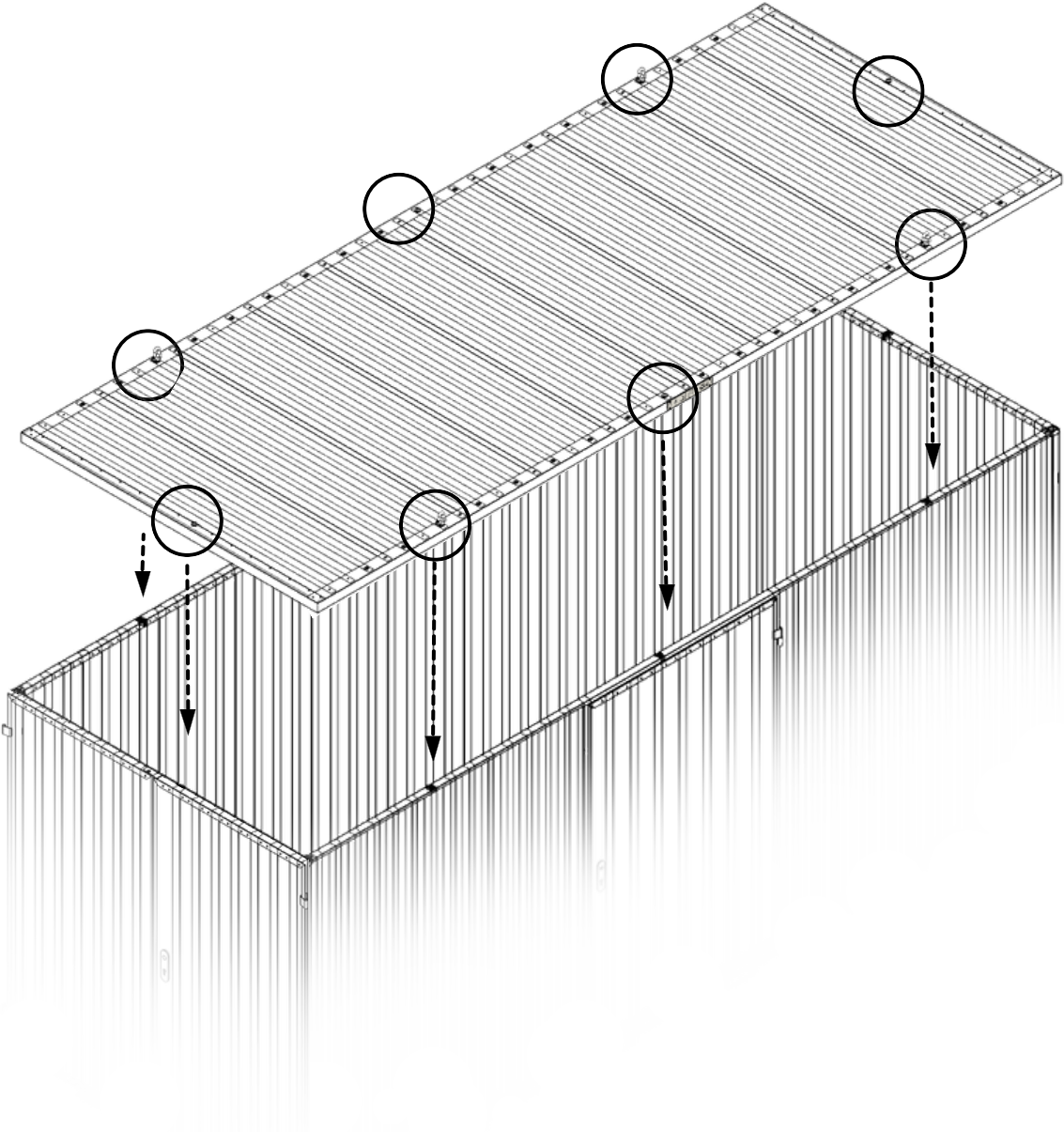
4.1



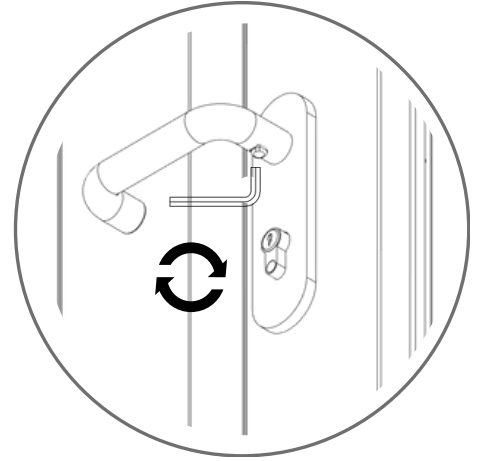
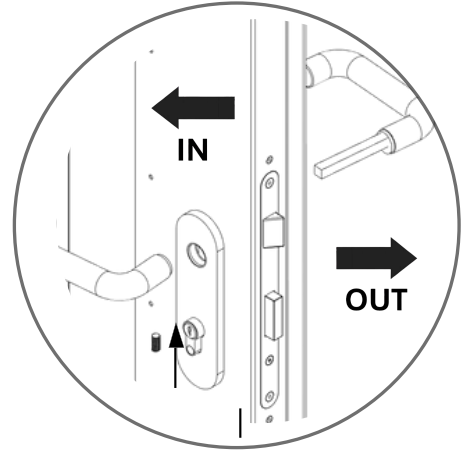
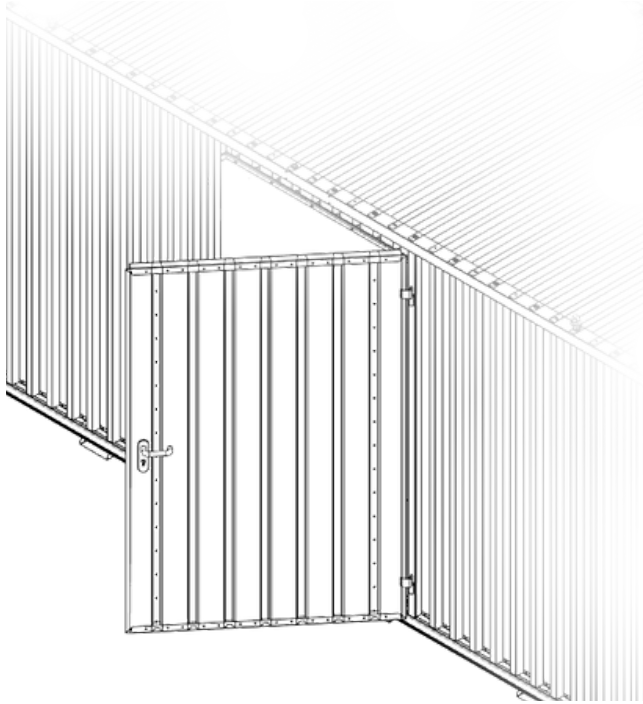
| | | | | | | |
|------------|-------------|---|-----------|-----------|------|--|
| 516 KG | 1640 MM | Model Code: 50.110.420.330 Production Tracking Code:/X09.1.50.420.330 9001 | 14001 | 50001 | | |
|------------|-------------|---|-----------|-----------|------|--|



5



6



7

