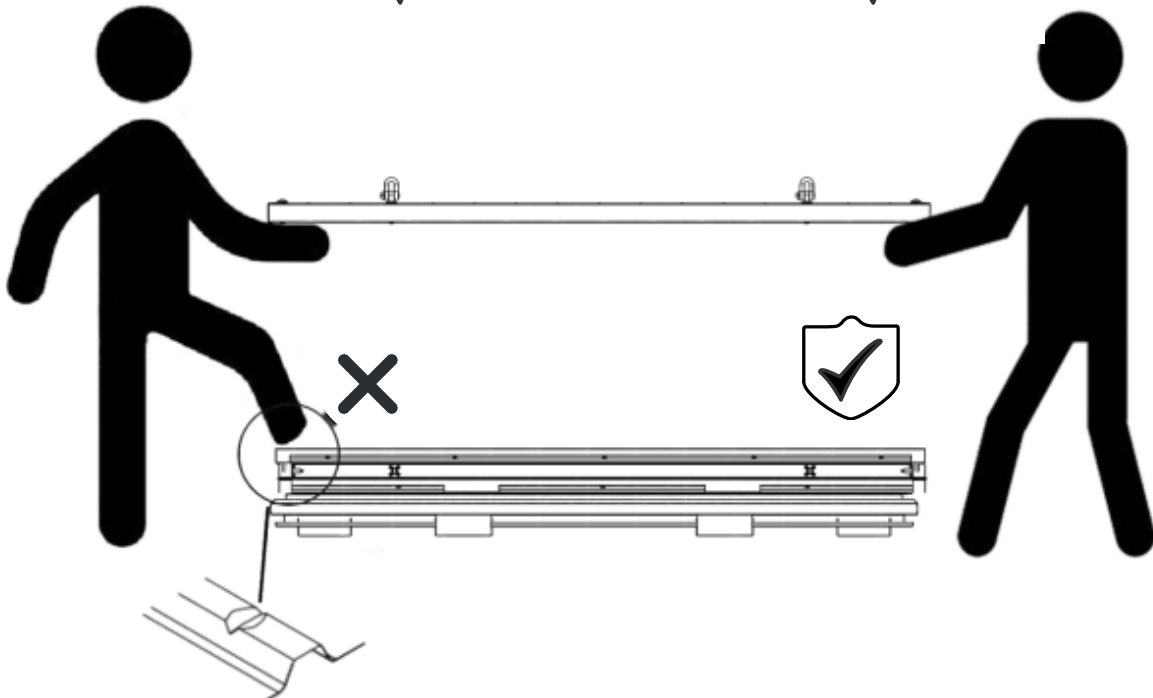
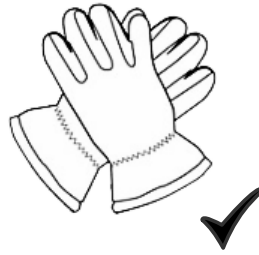


PRODUCT CODE:4030.110.330

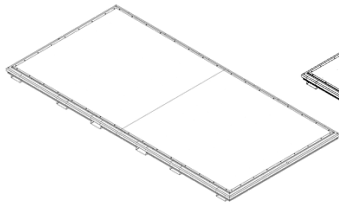
**prefabase**  
Quick Build Solutions

Instructions and User Guide



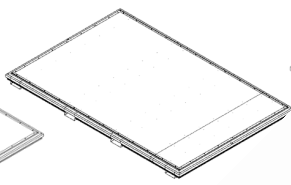
40.0110

1x



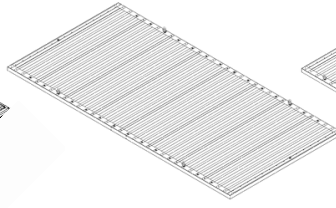
30.0110

1x



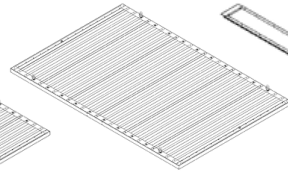
40.0510

1x



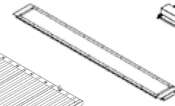
30.0510

1x



306.0110

1x



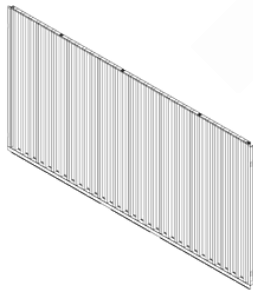
306.0510

1x



40.0410

2x



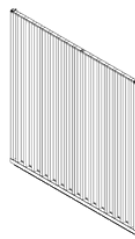
30.0410

2x



0310

1x



0330

1x



306.40.05

2x



306.40.04

2x

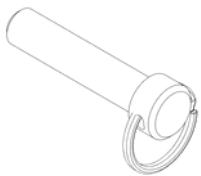


61.101

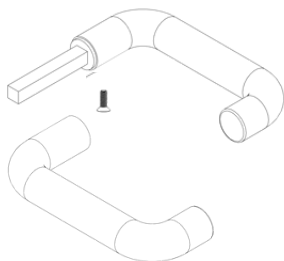
2x



22x



1x



10x



10x



10x



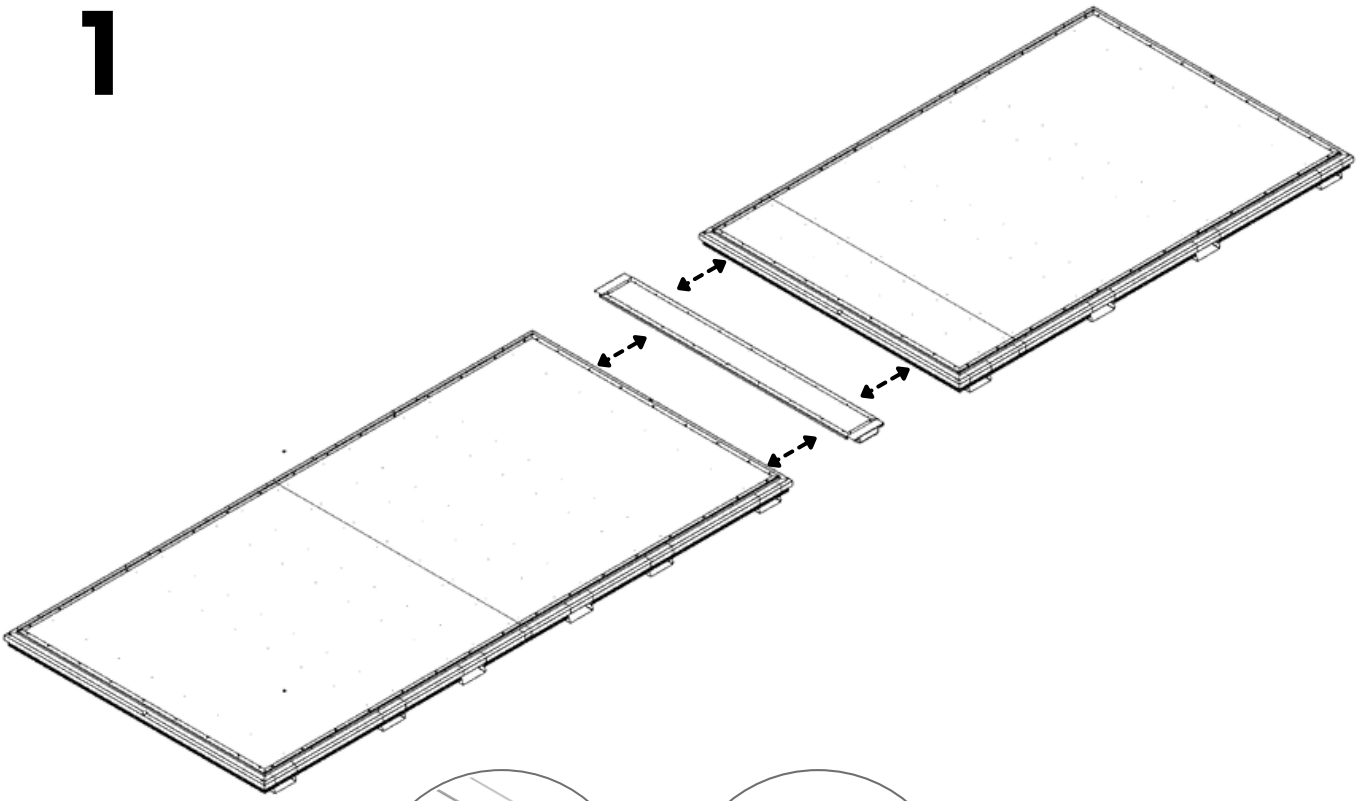
1x



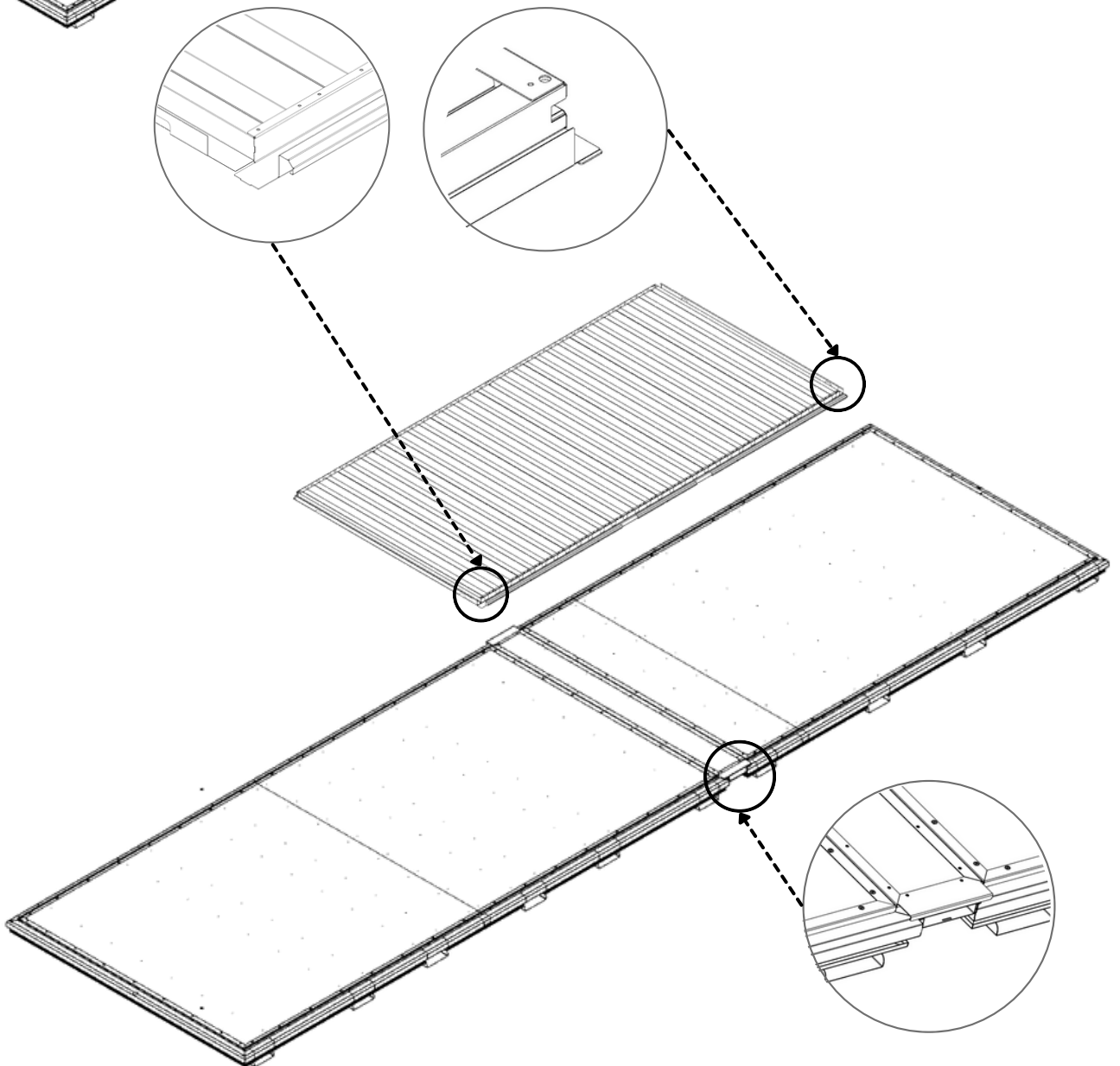
1x

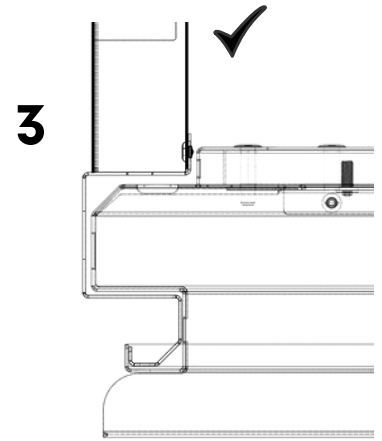
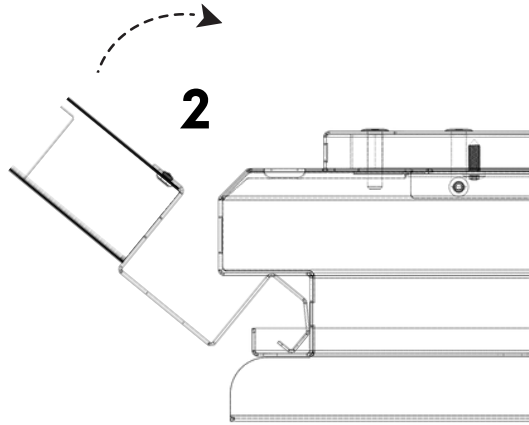
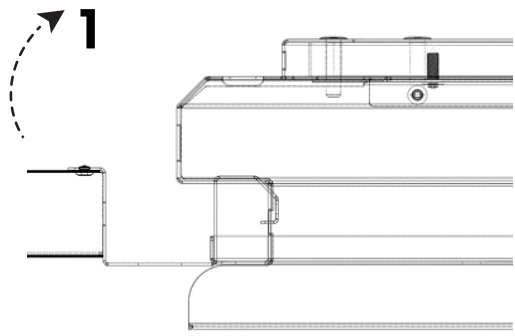


**1**

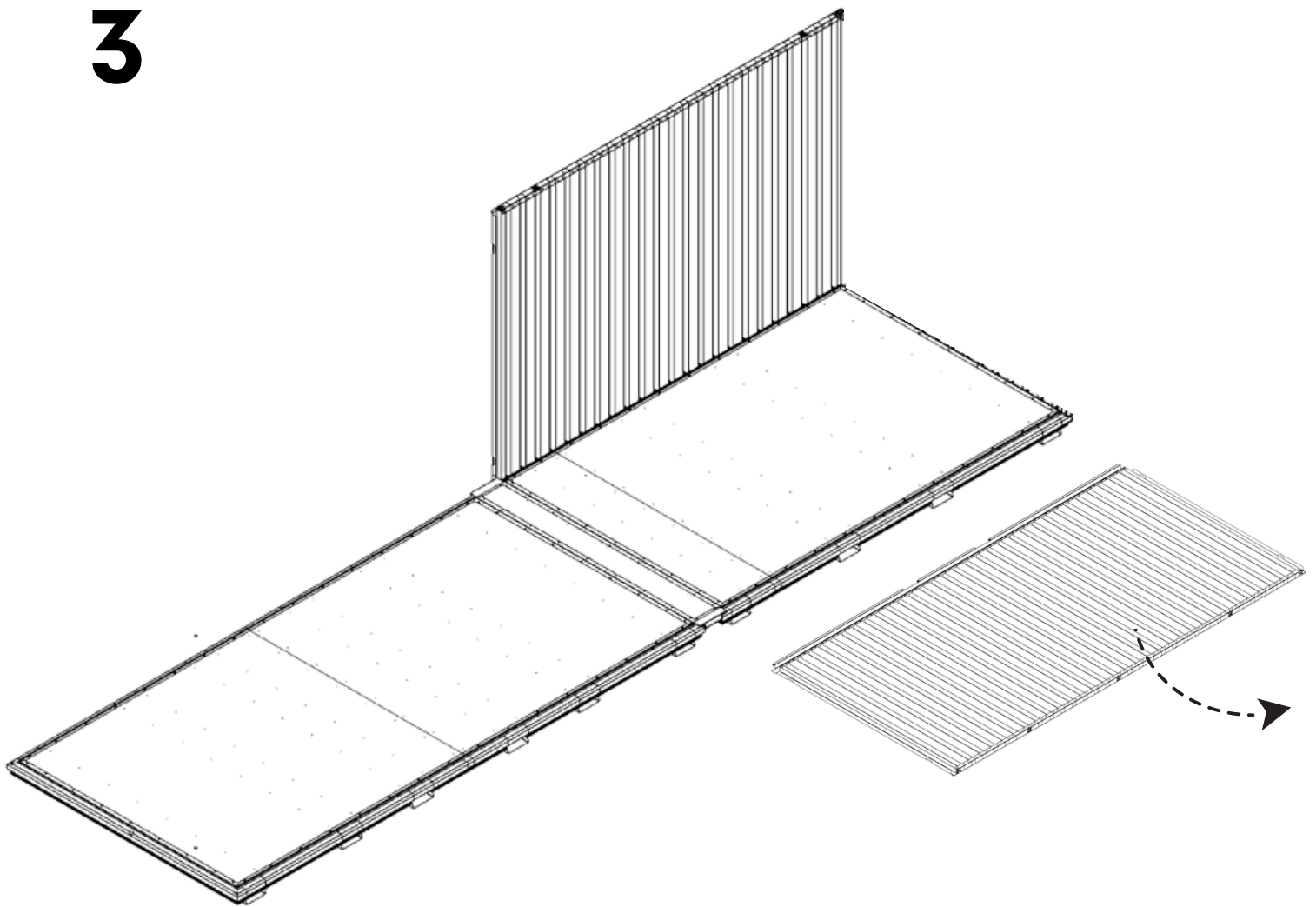


**2**



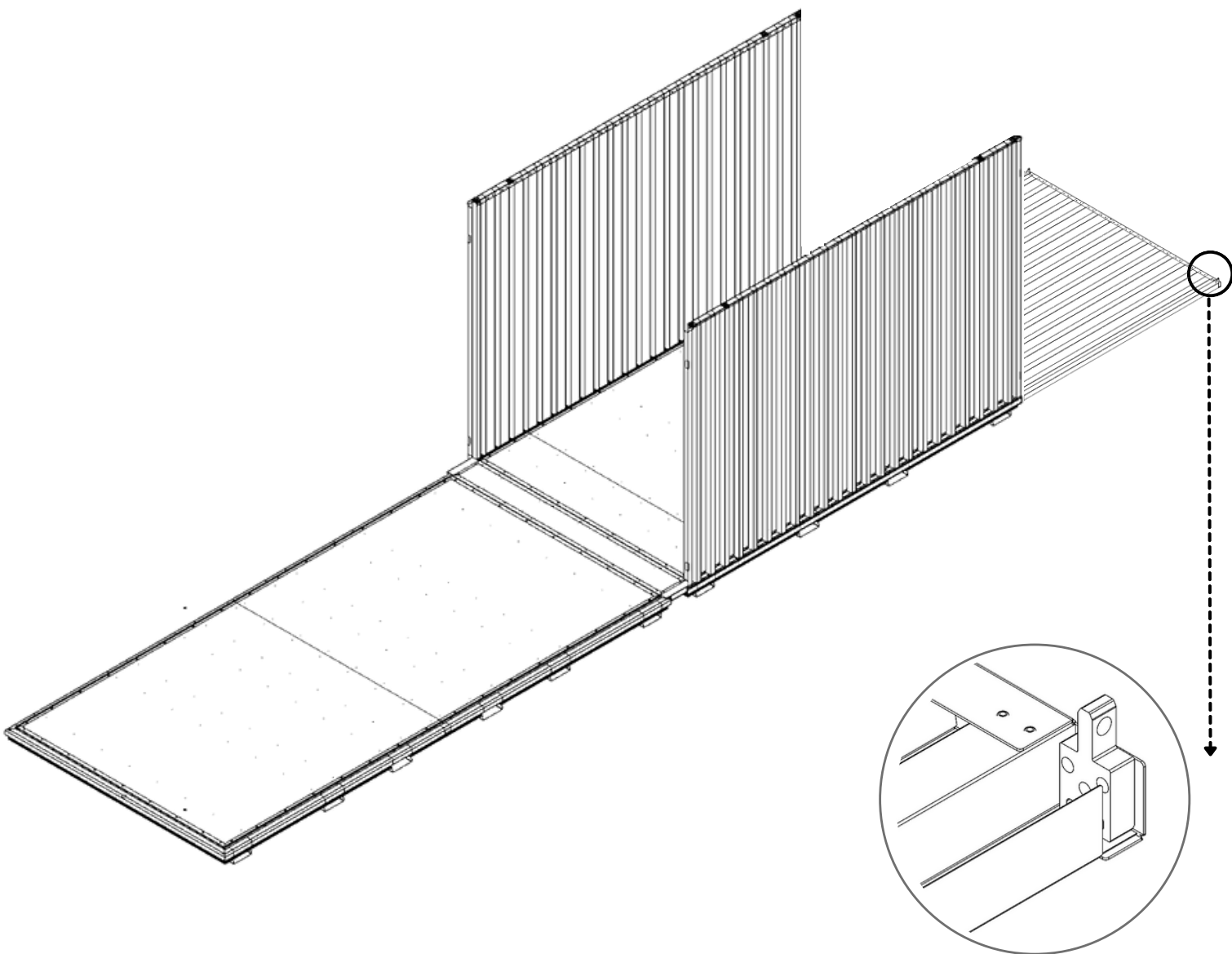


**3**

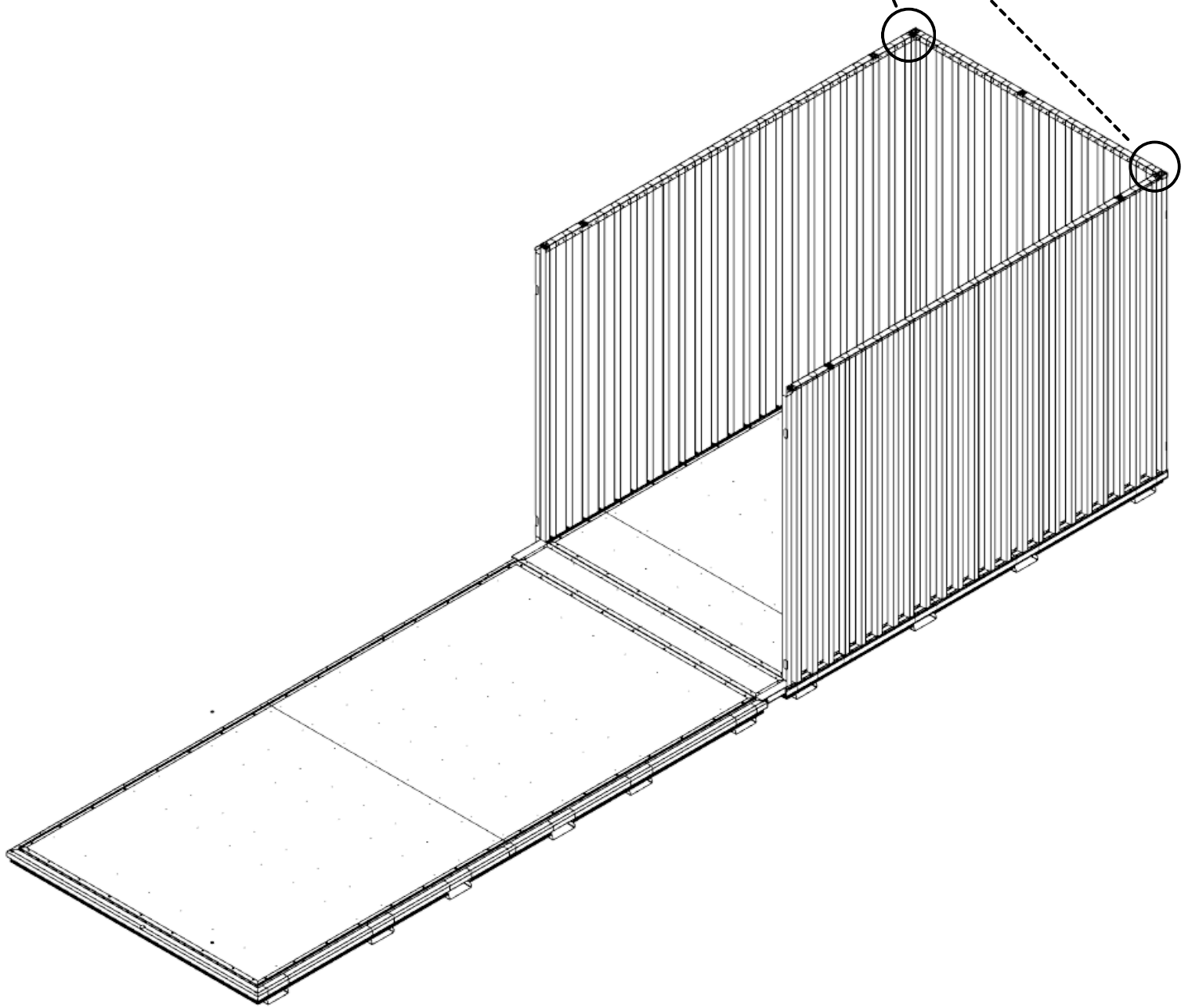
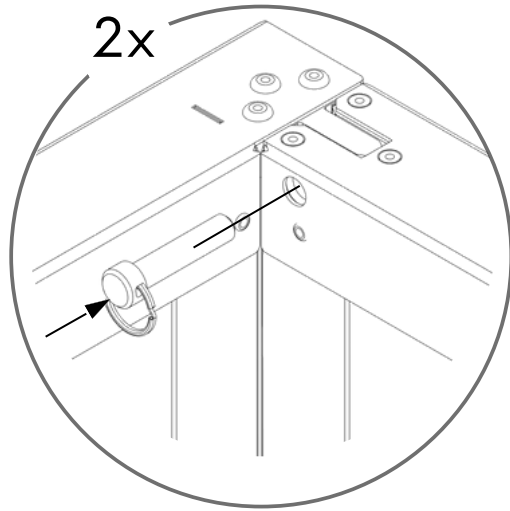




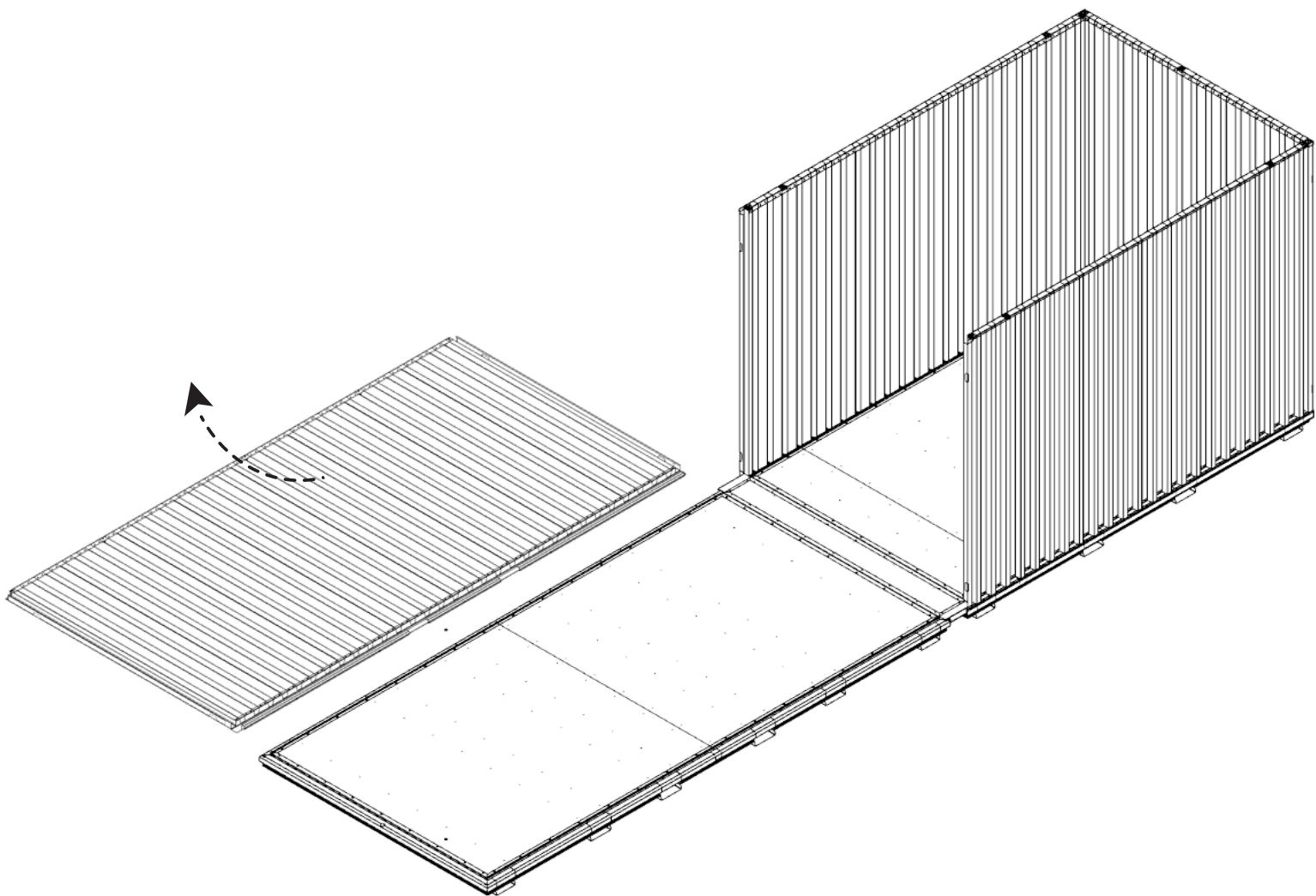
4



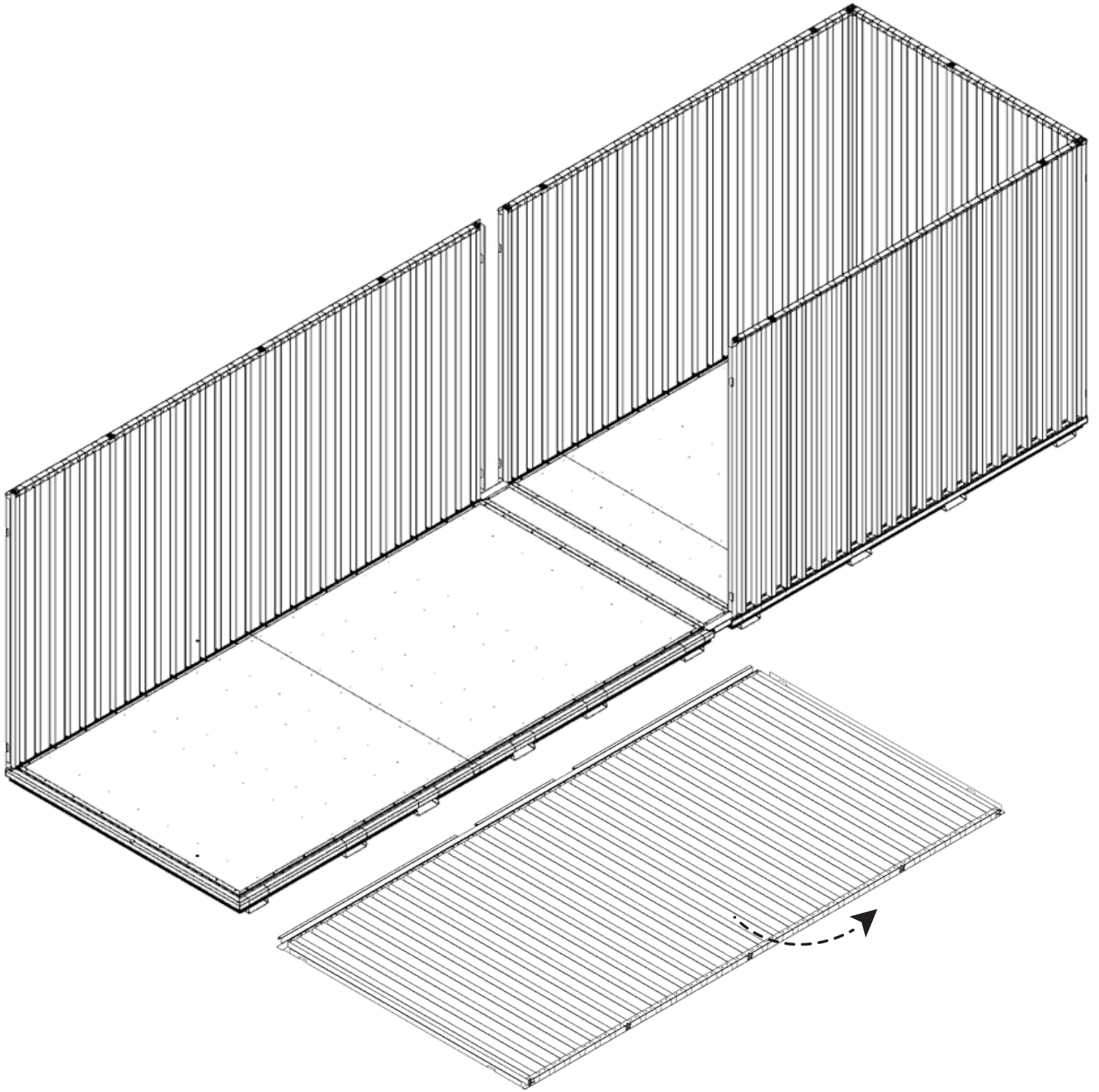
# 4.1



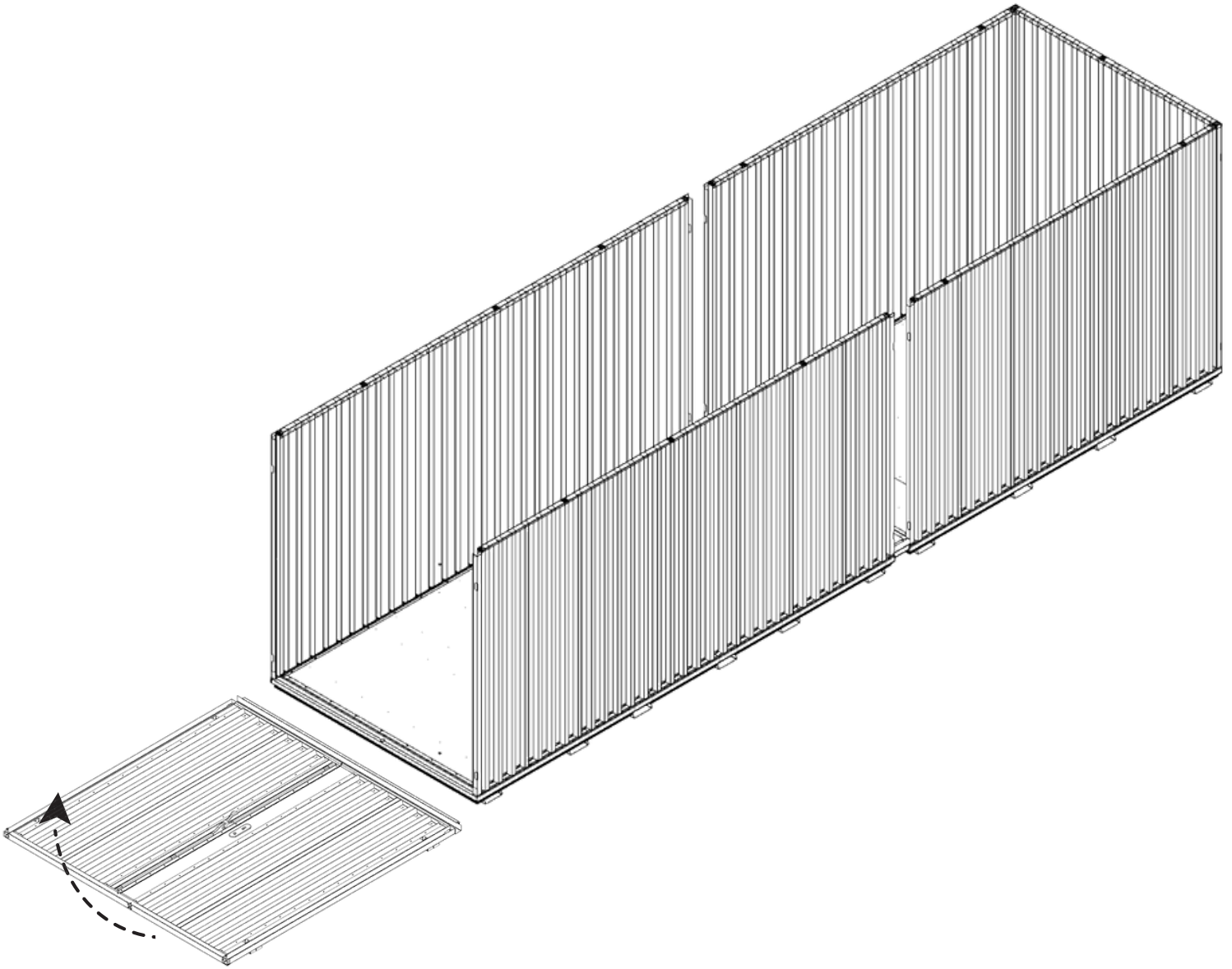
5



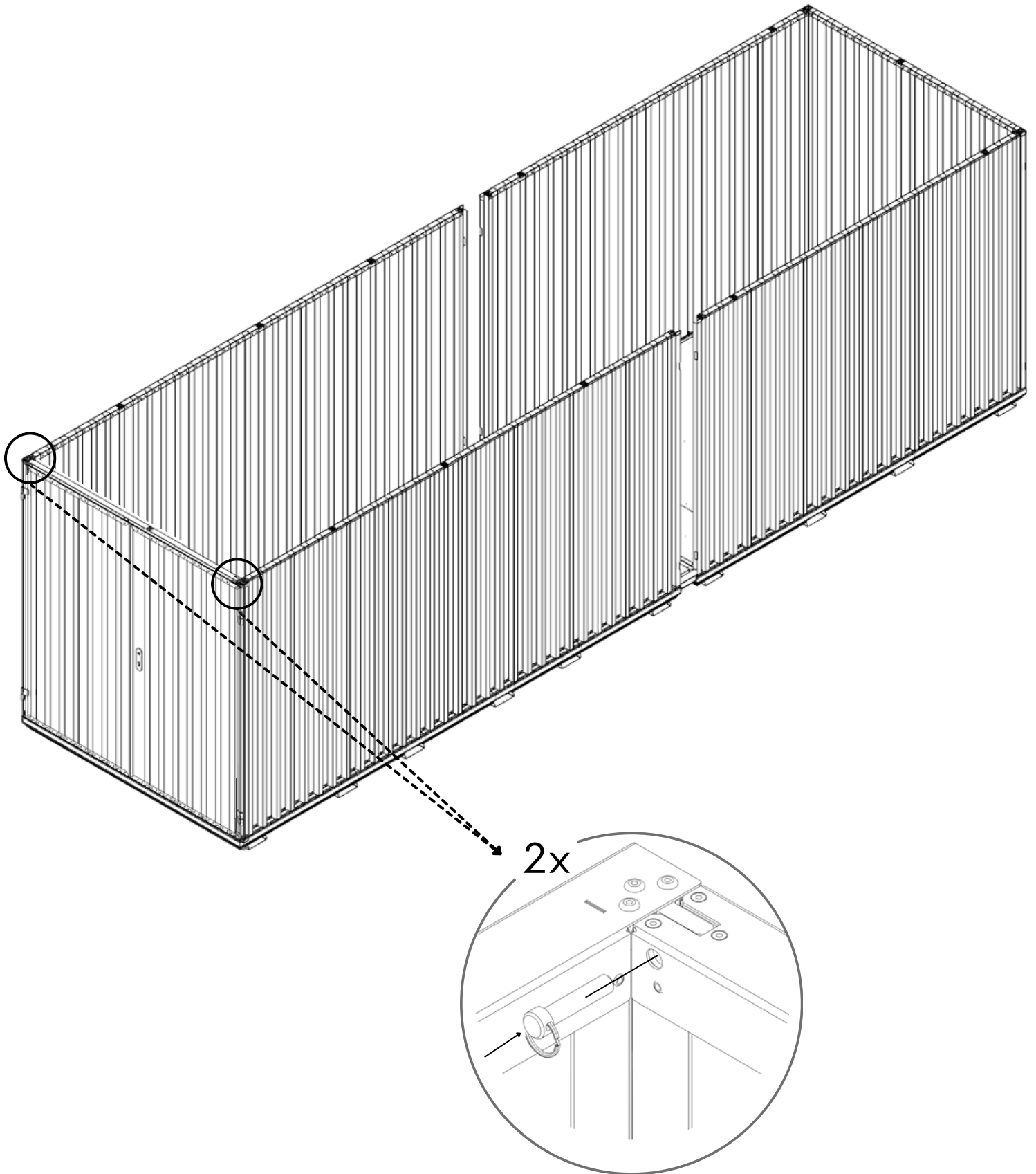
6



7

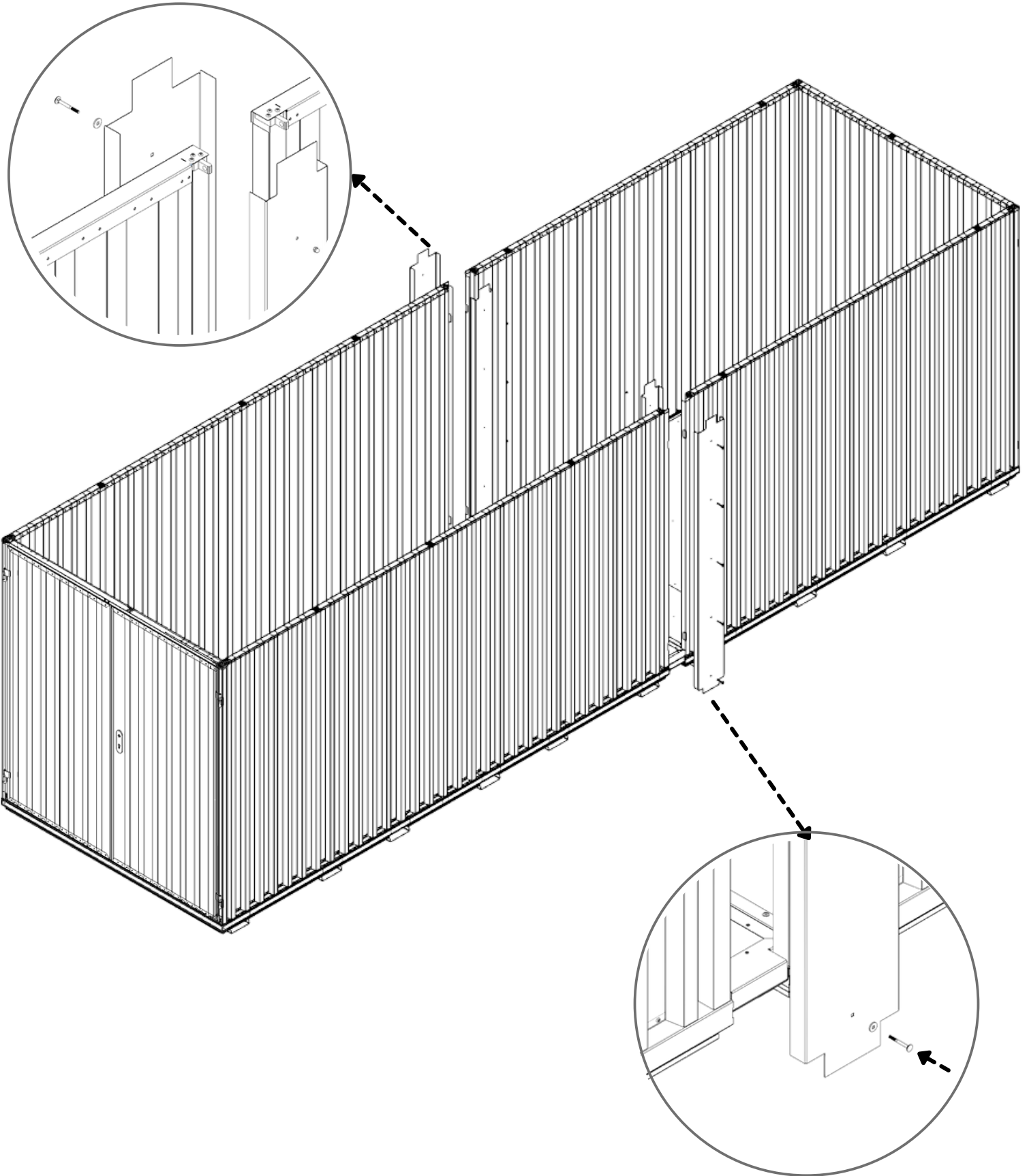


# 7.1

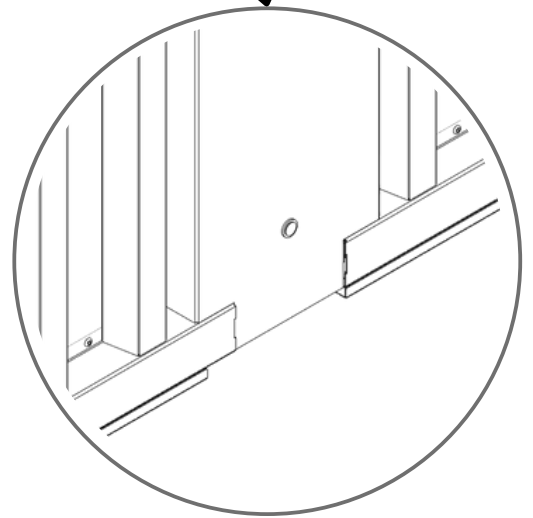
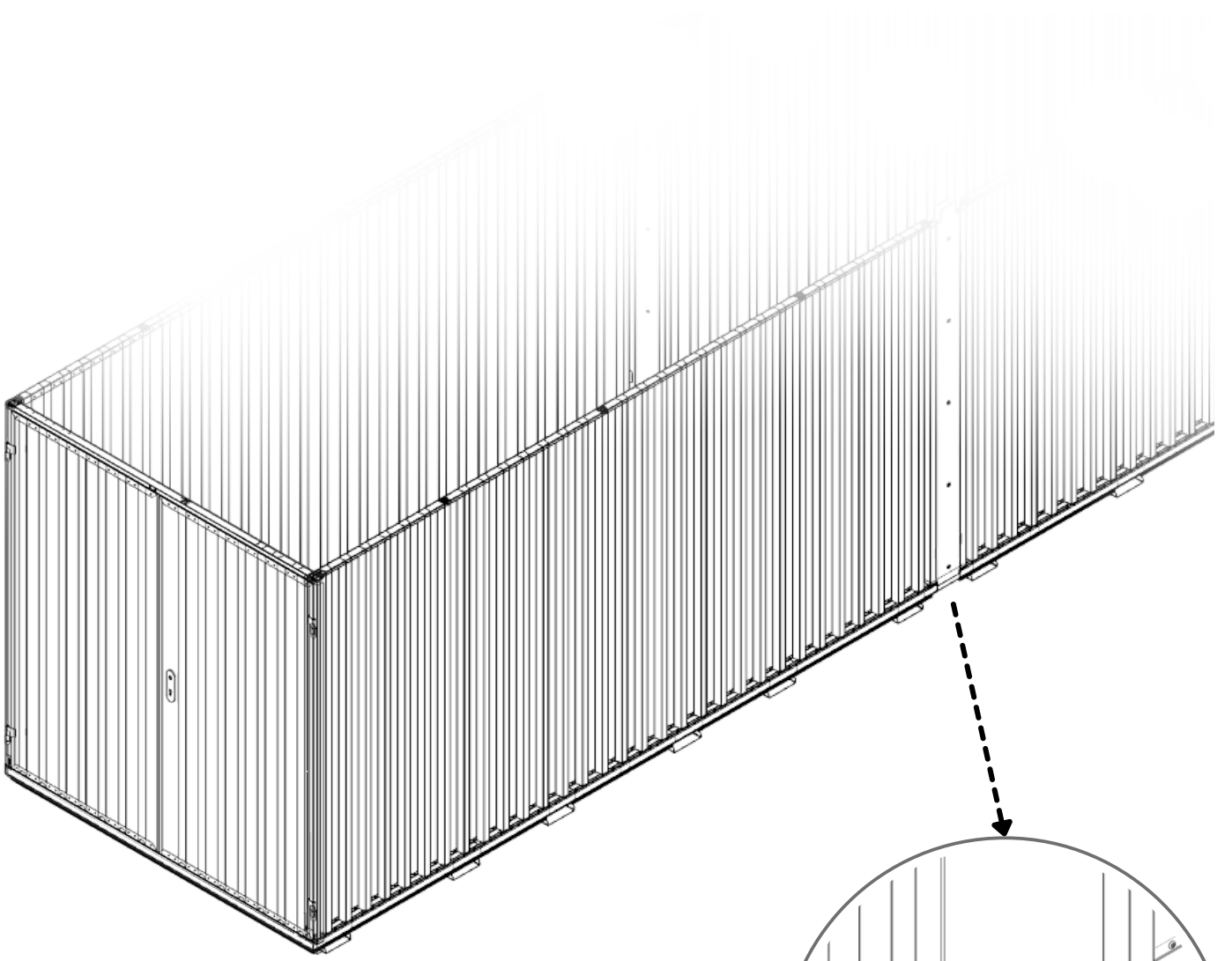




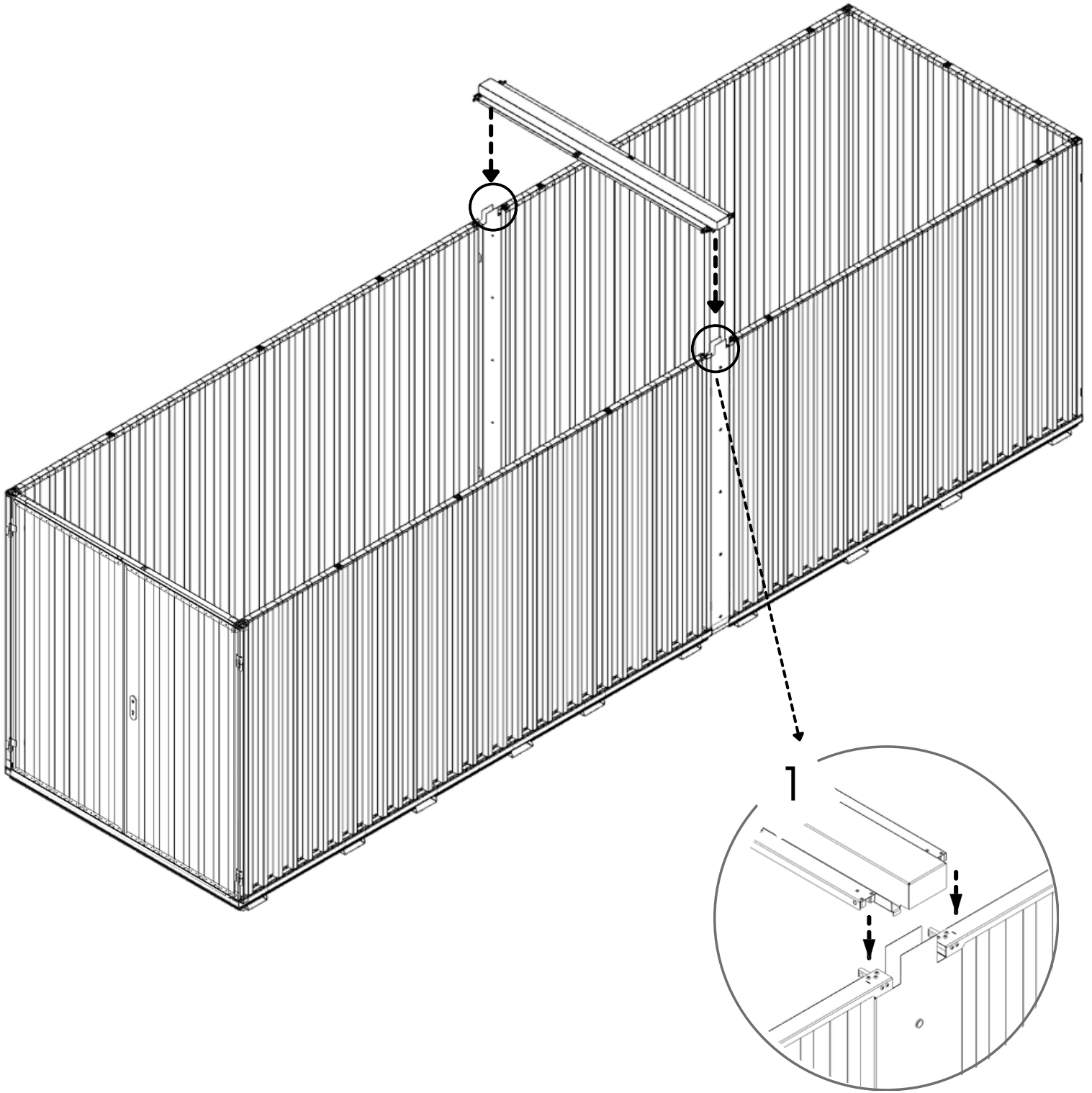
8



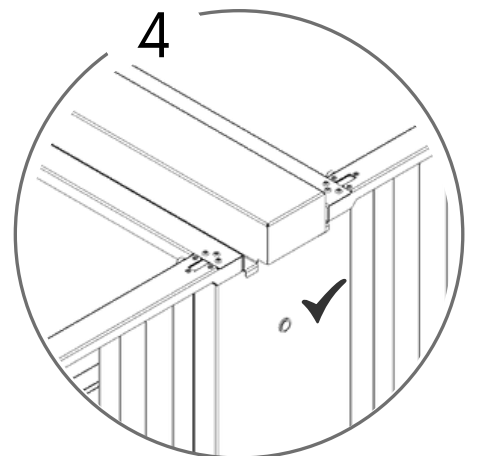
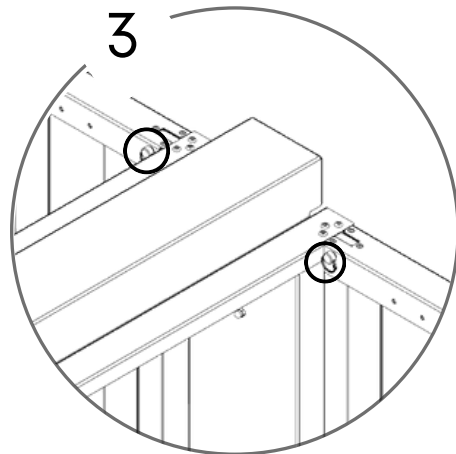
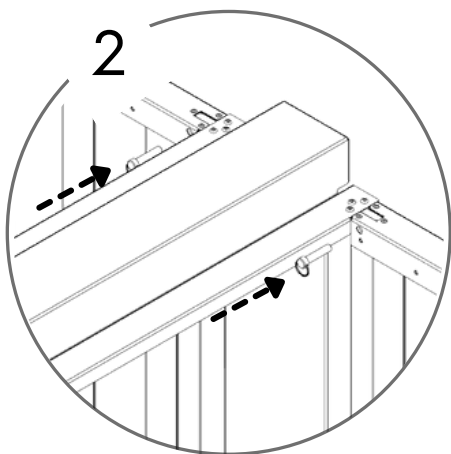
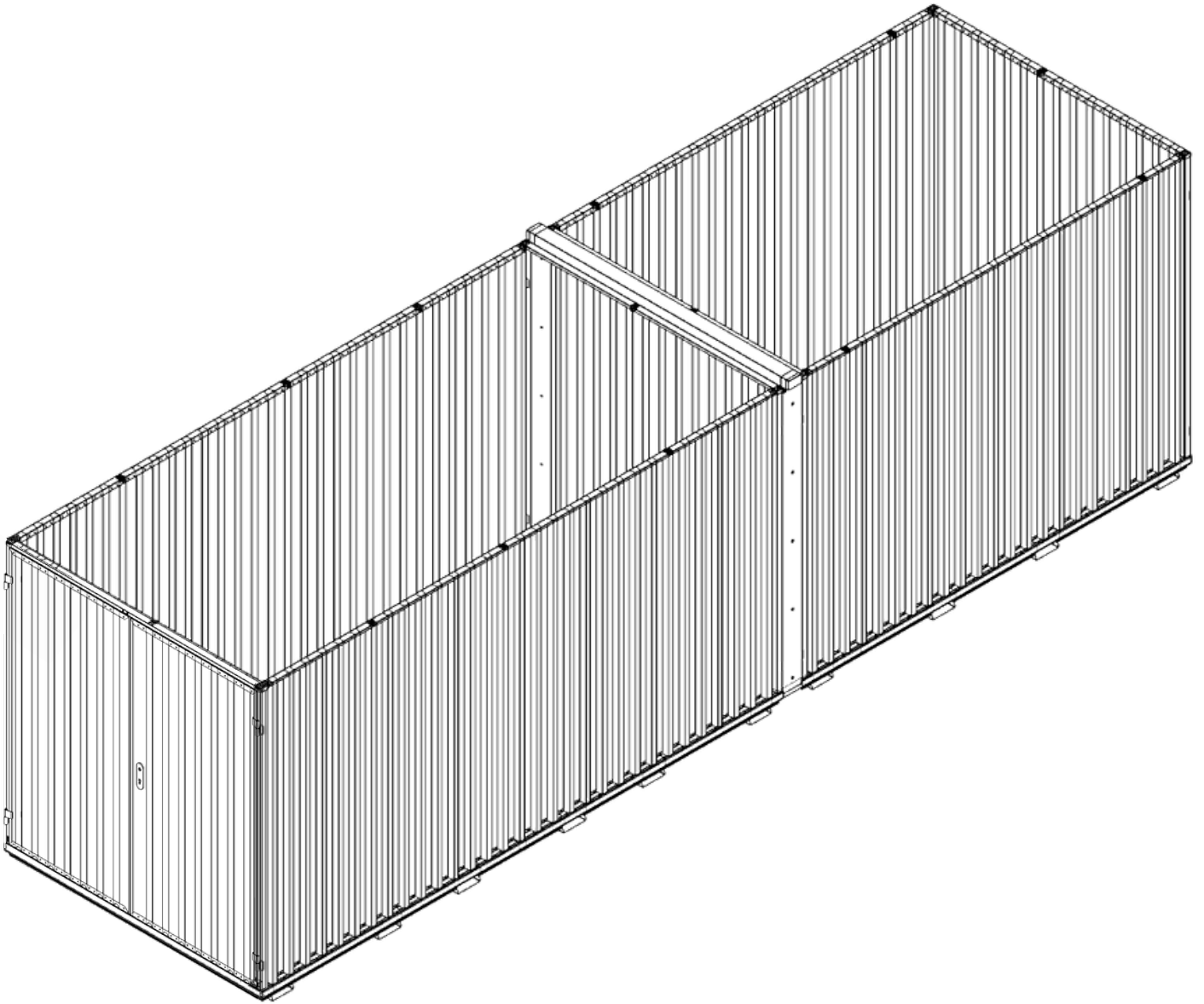
9











# 10

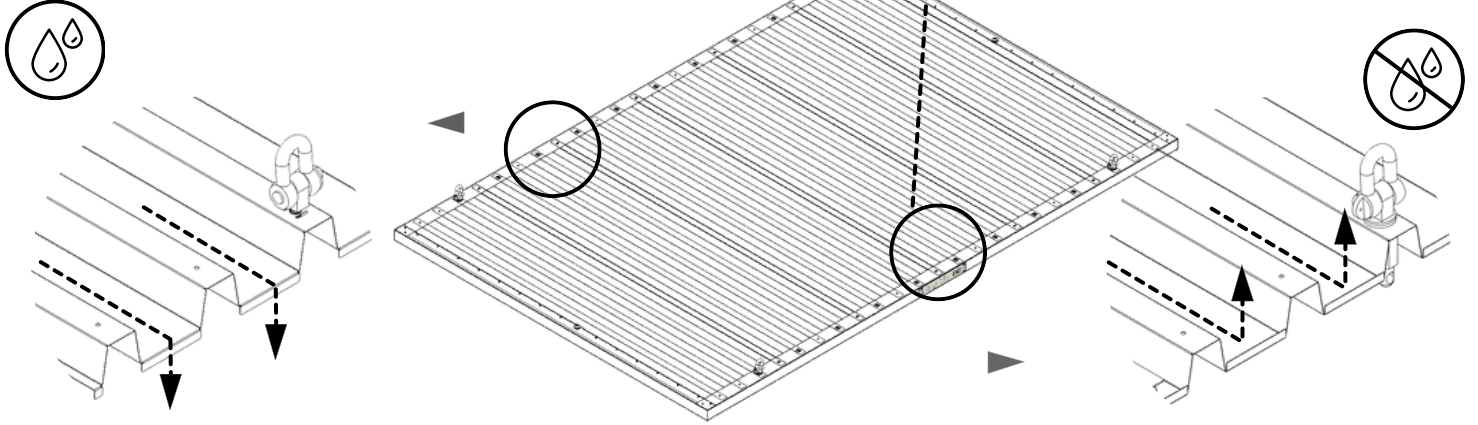


# 11

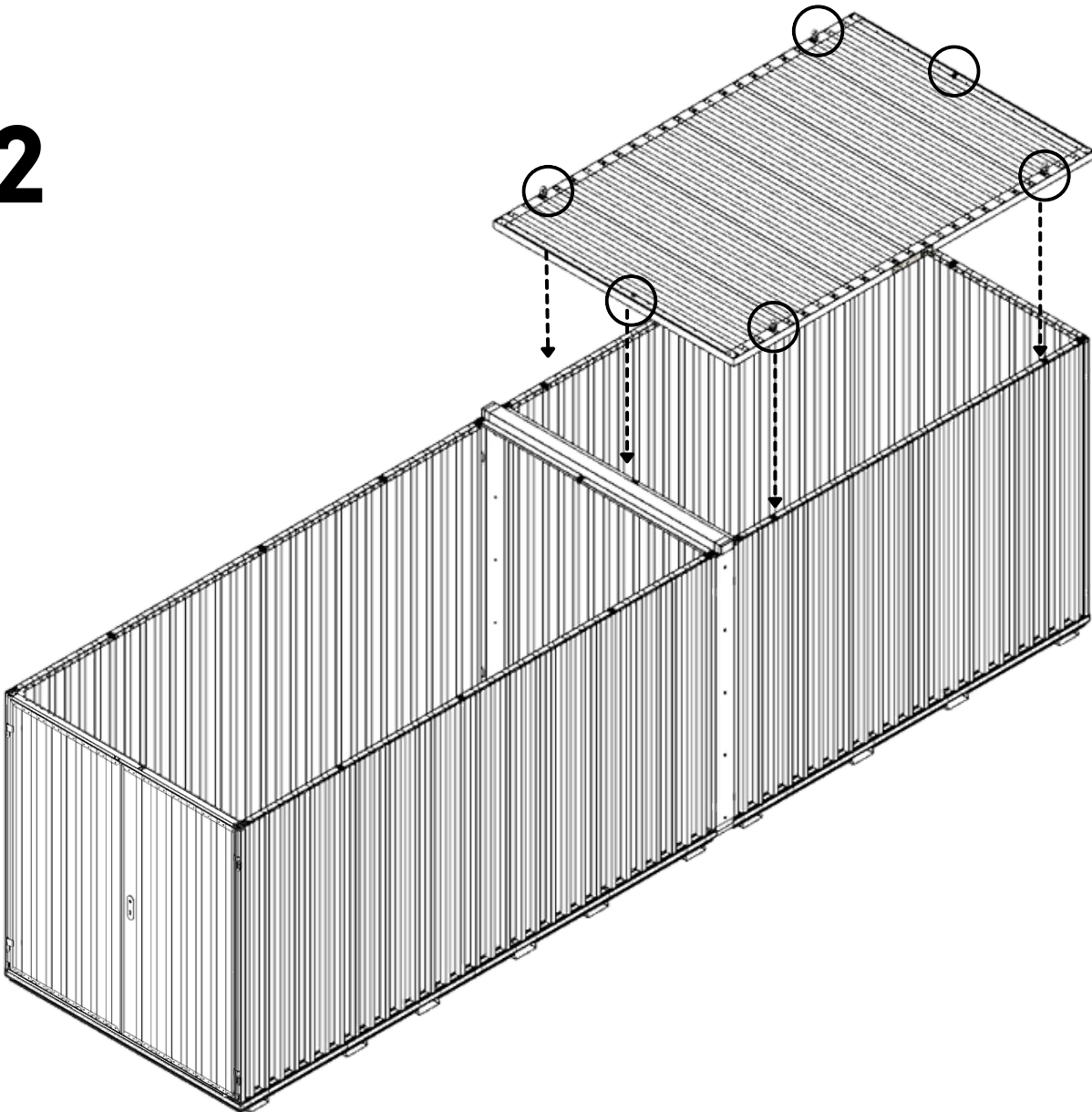




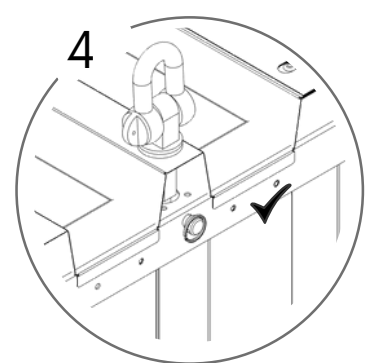
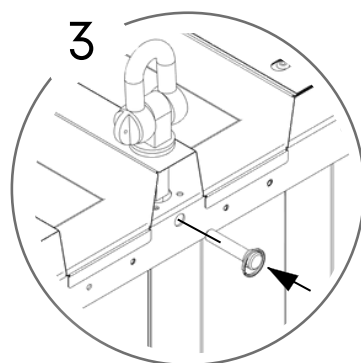
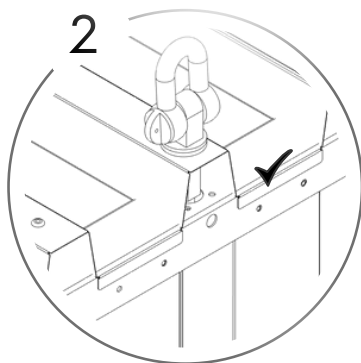
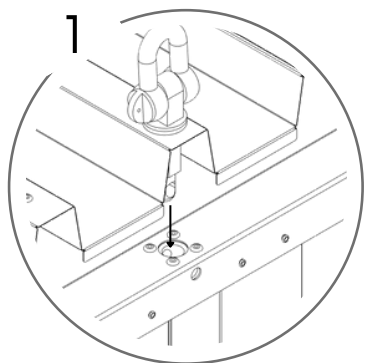
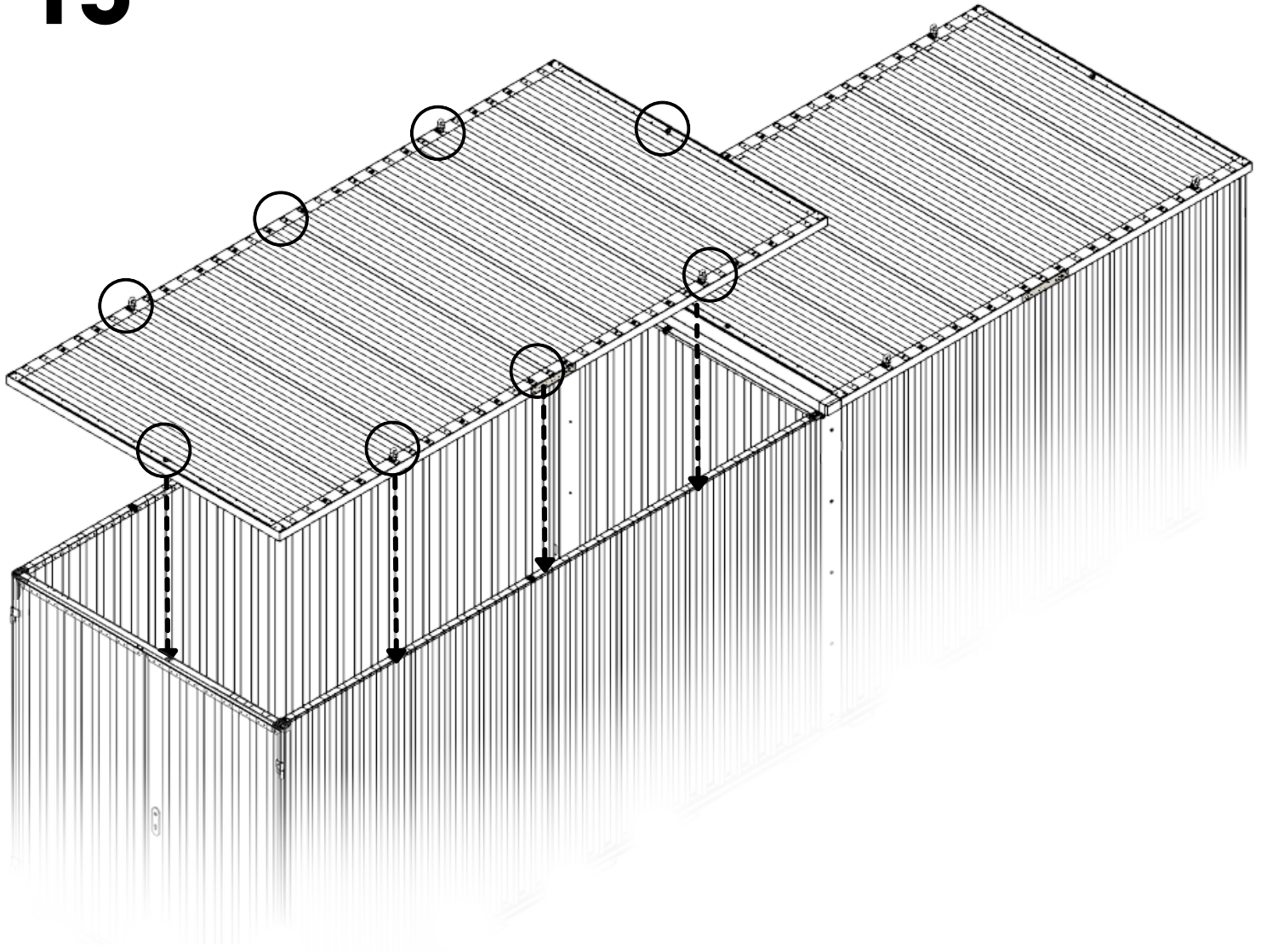
 721 KG	 1640 MM	Model Code: 4030.110.330 Production Tracking Code: ...../X09.1.4030.330	  	 	
---	--	---	---	---	---



12

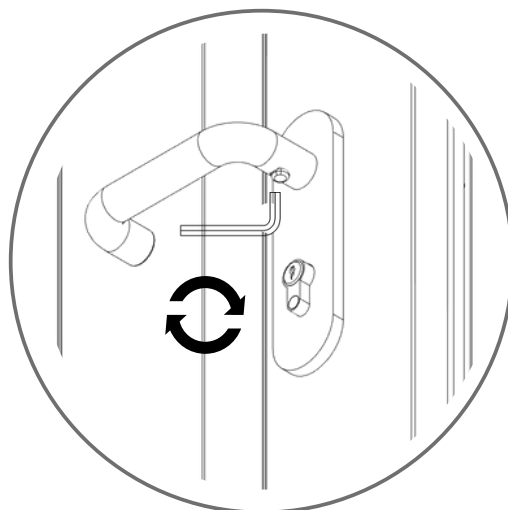
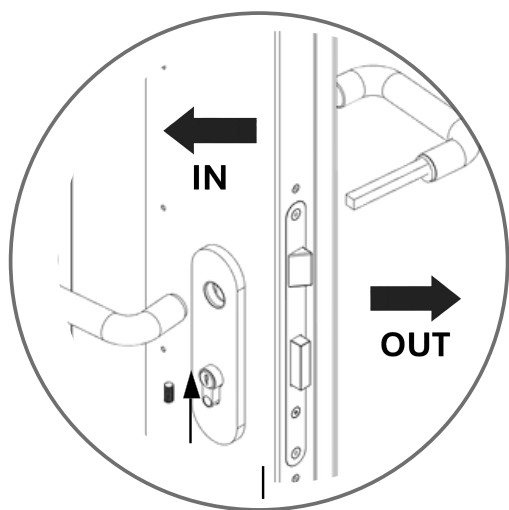
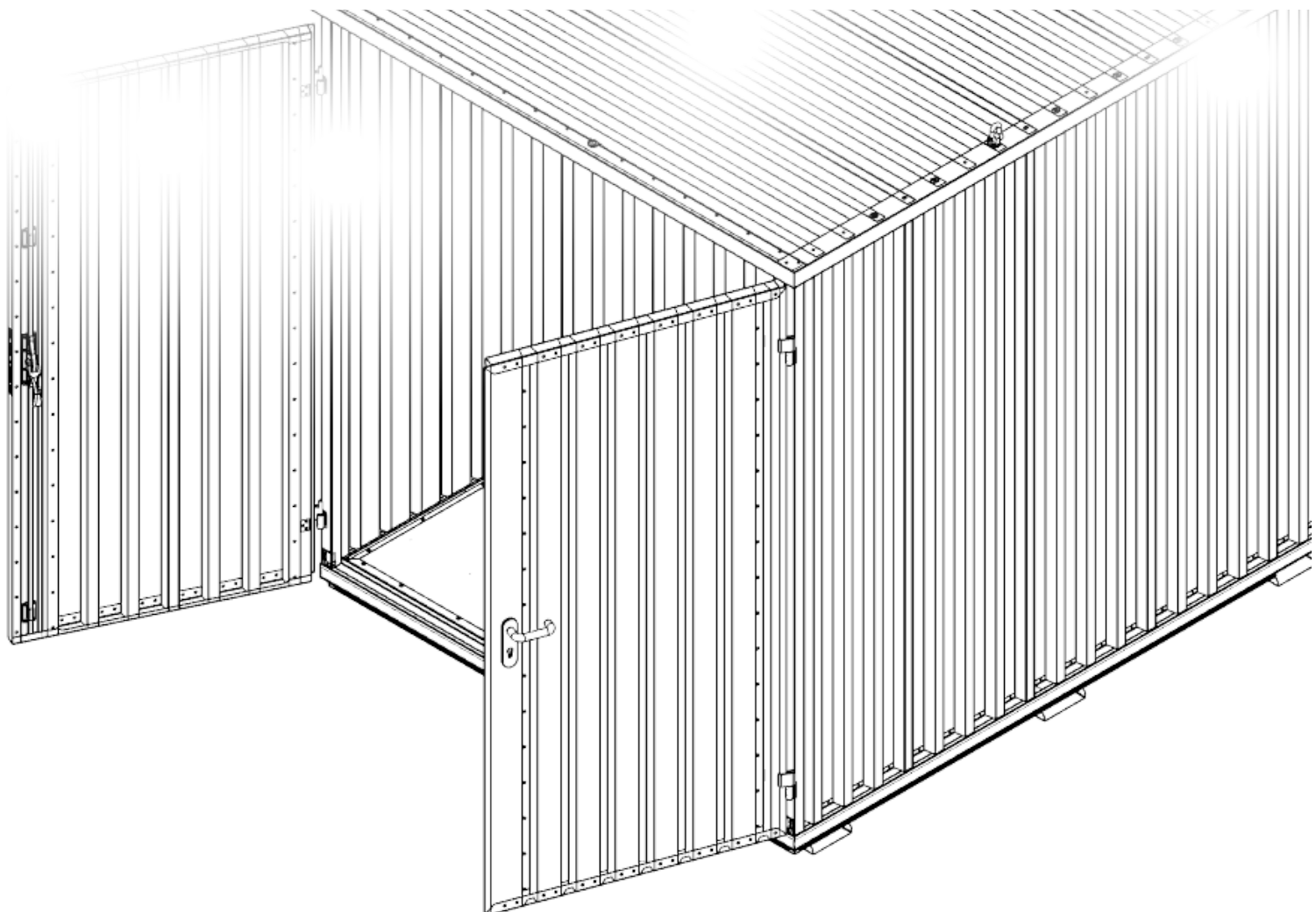


# 13





# 14



15

