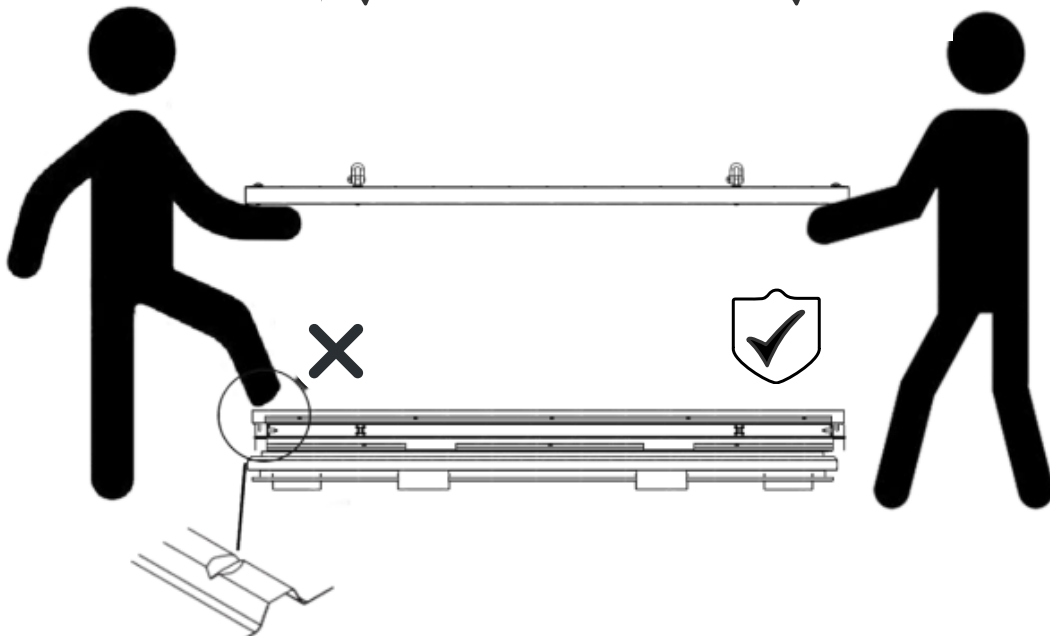
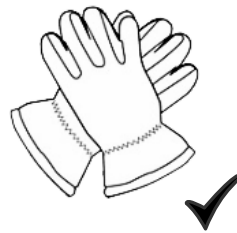


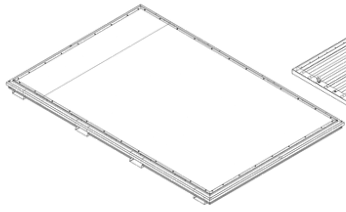
PRODUCT CODE: 30.110.420

prefabase
Quick Build Solutions

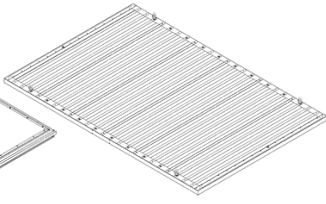
Instructions and User Guide



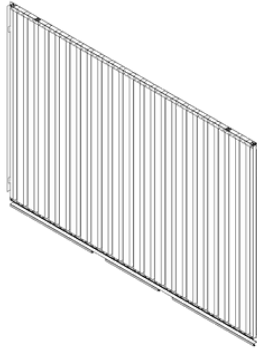
30.0110
1x



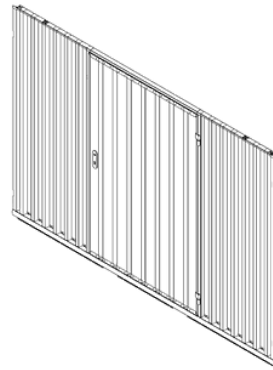
30.0510
1x



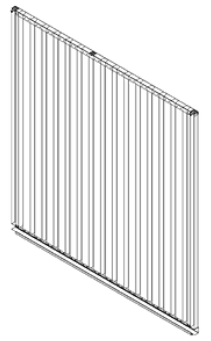
30.0410
1x



30.0420
1x



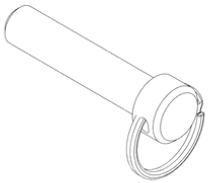
0310
2x



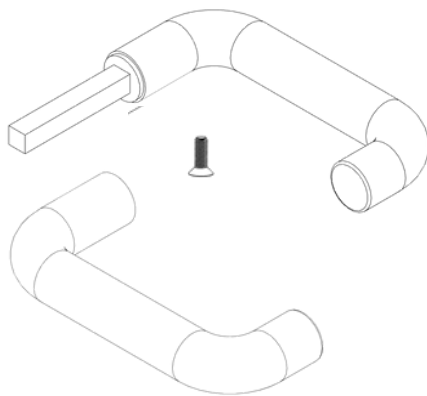
61.101
4x



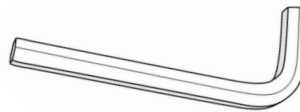
10x



1x



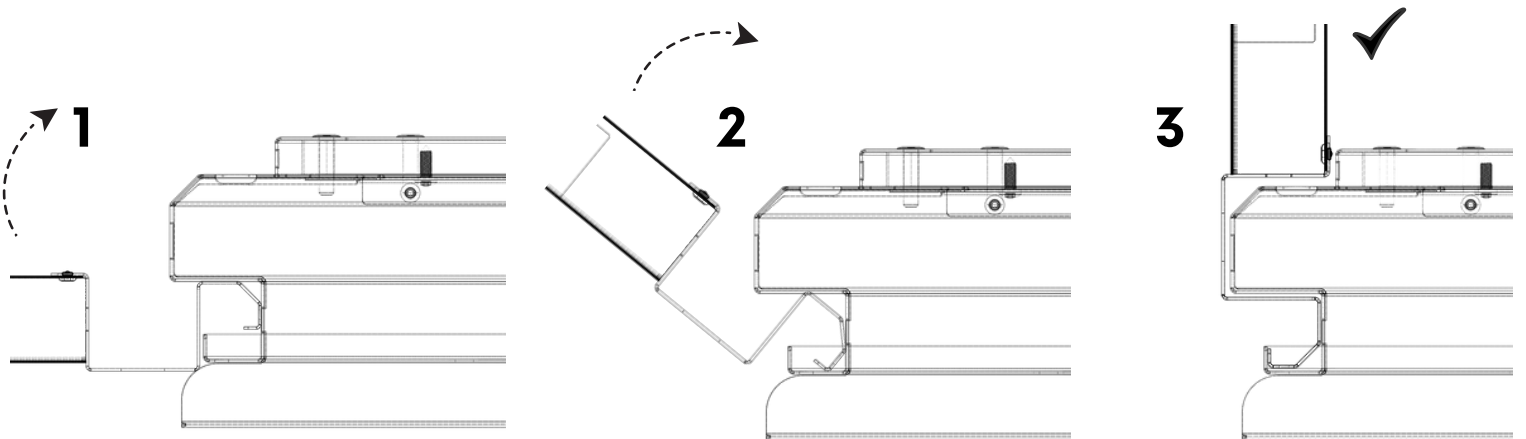
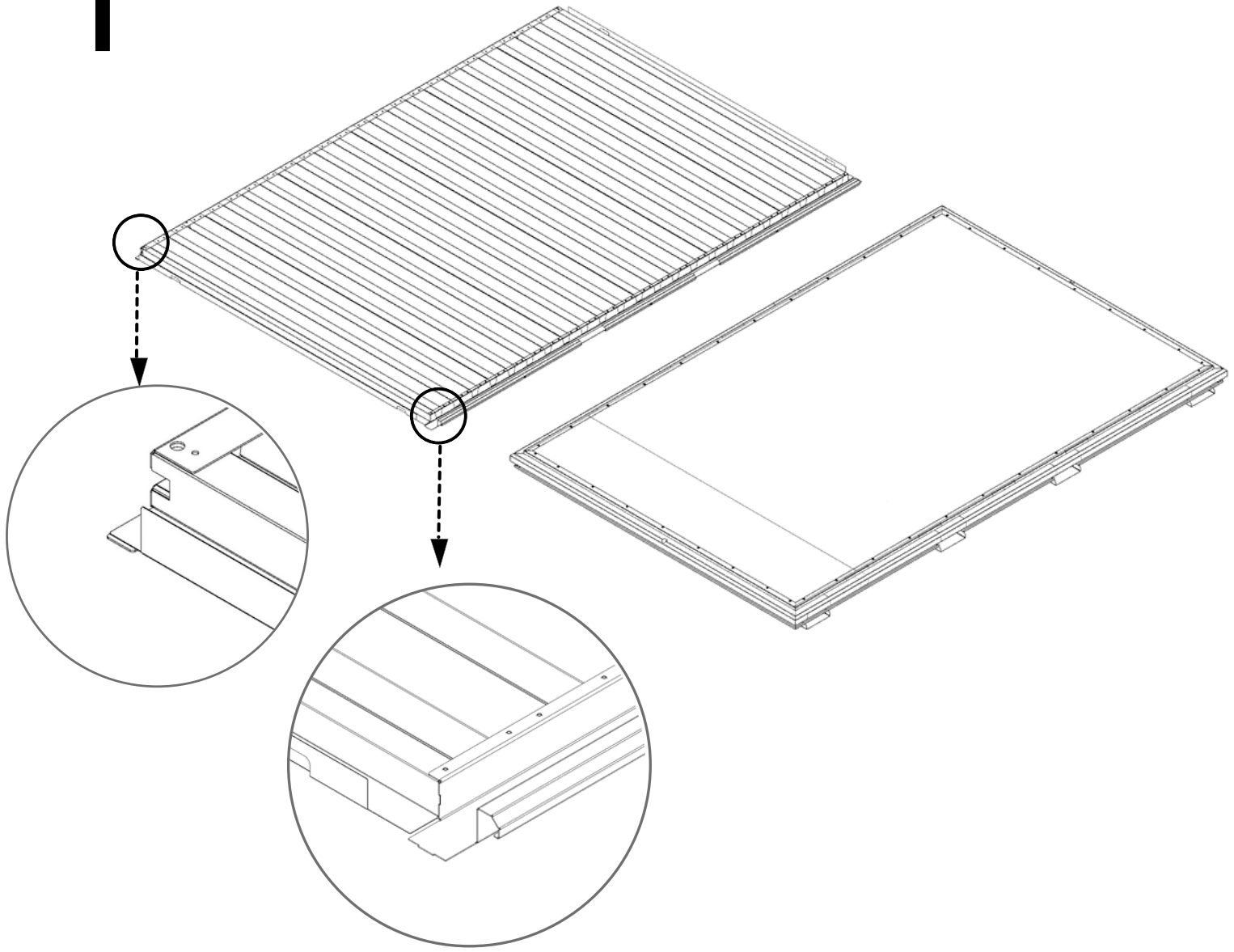
1x



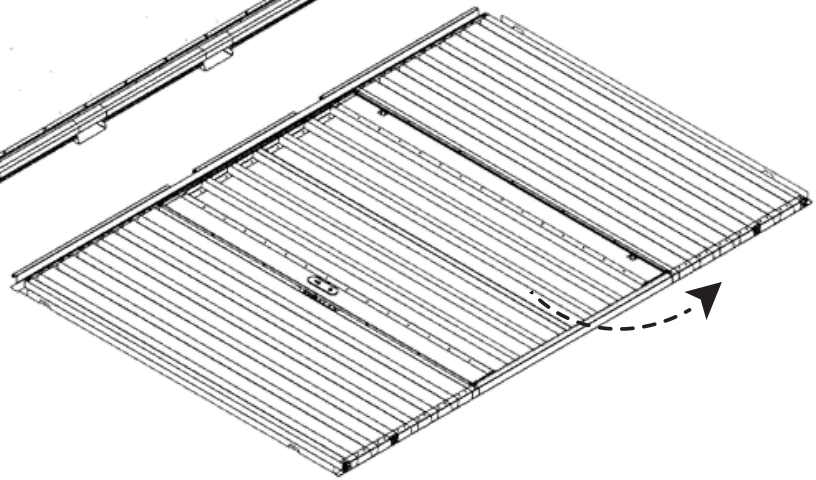
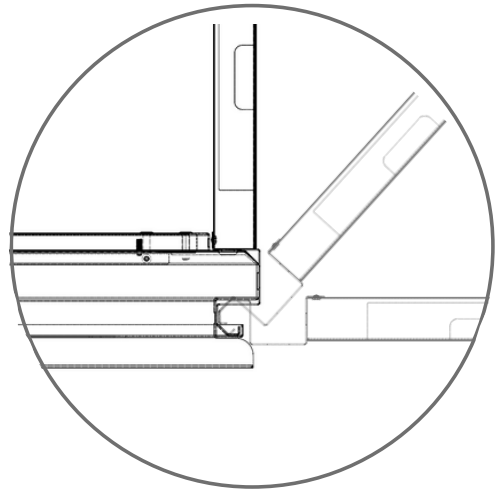
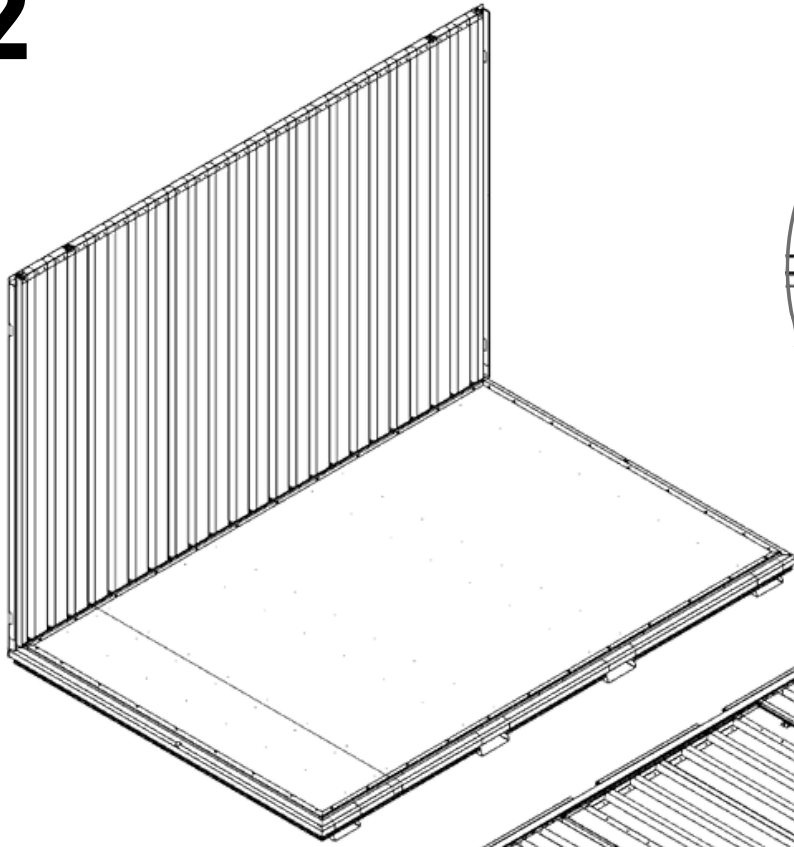
1x



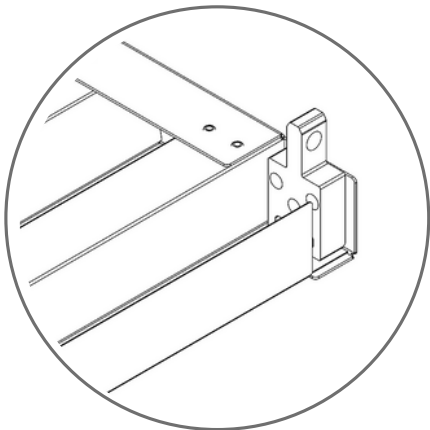
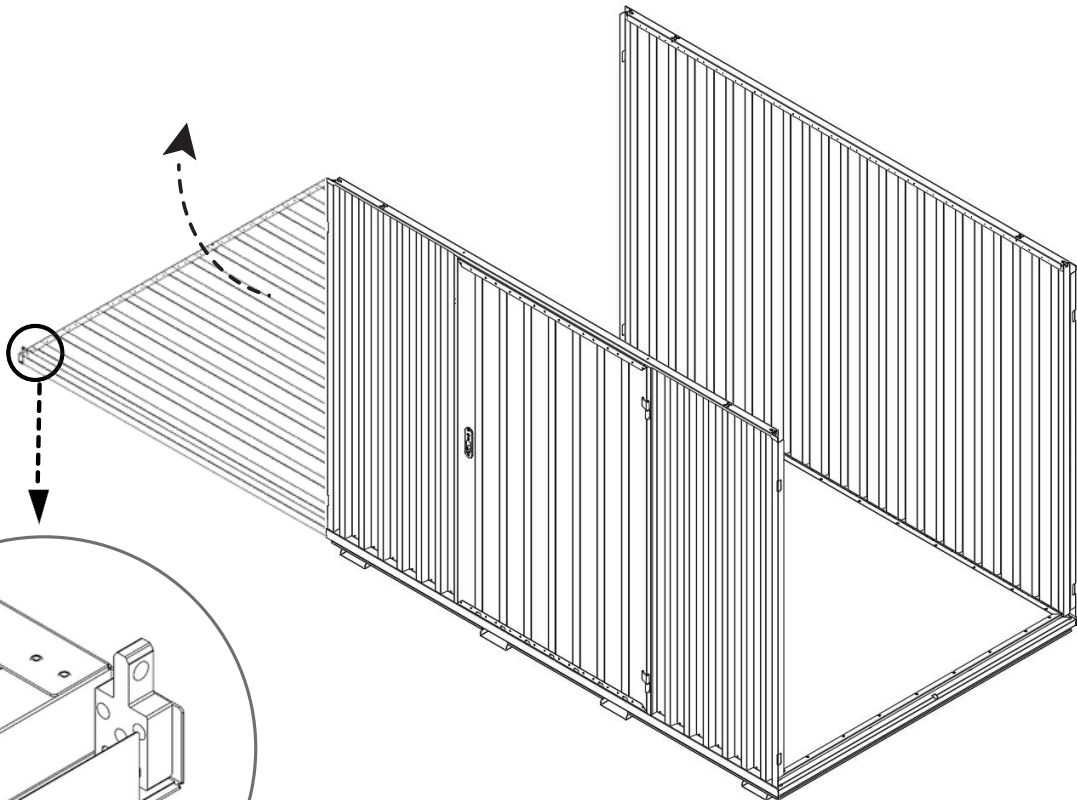
1



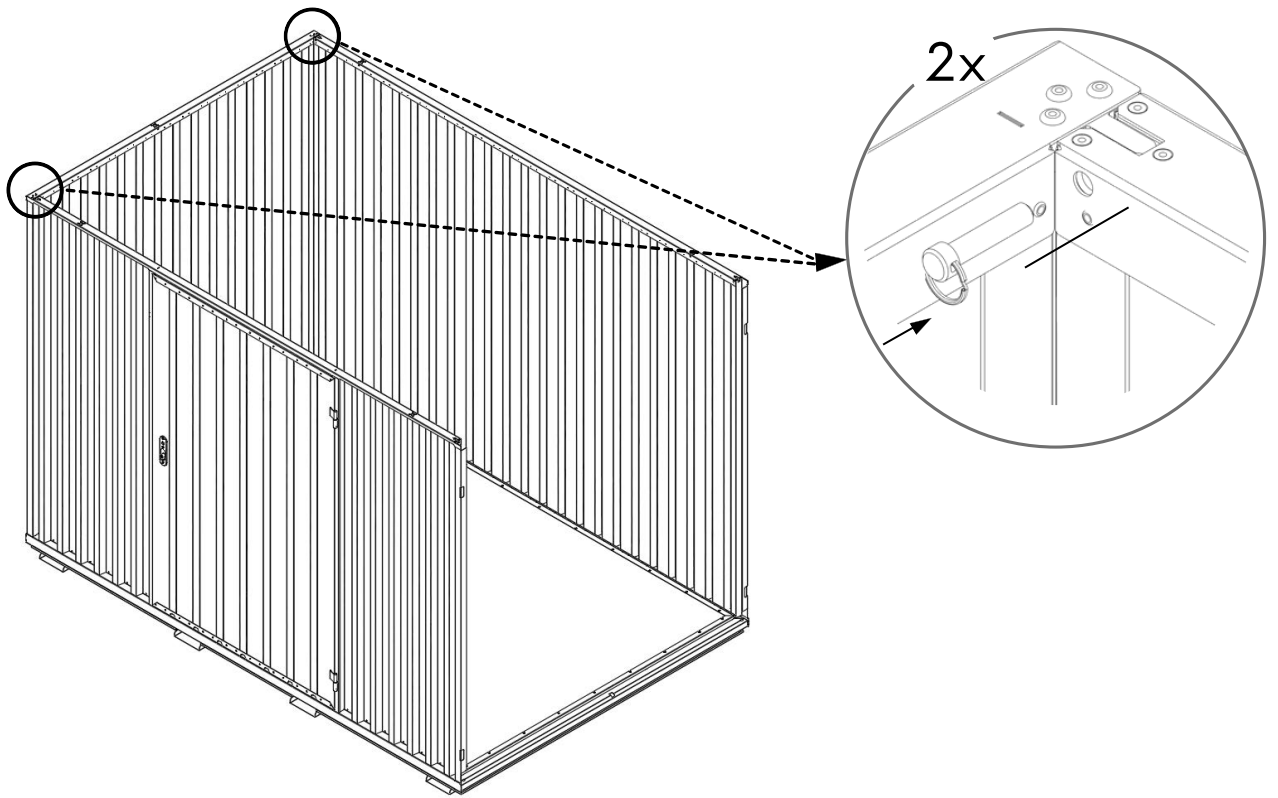
2



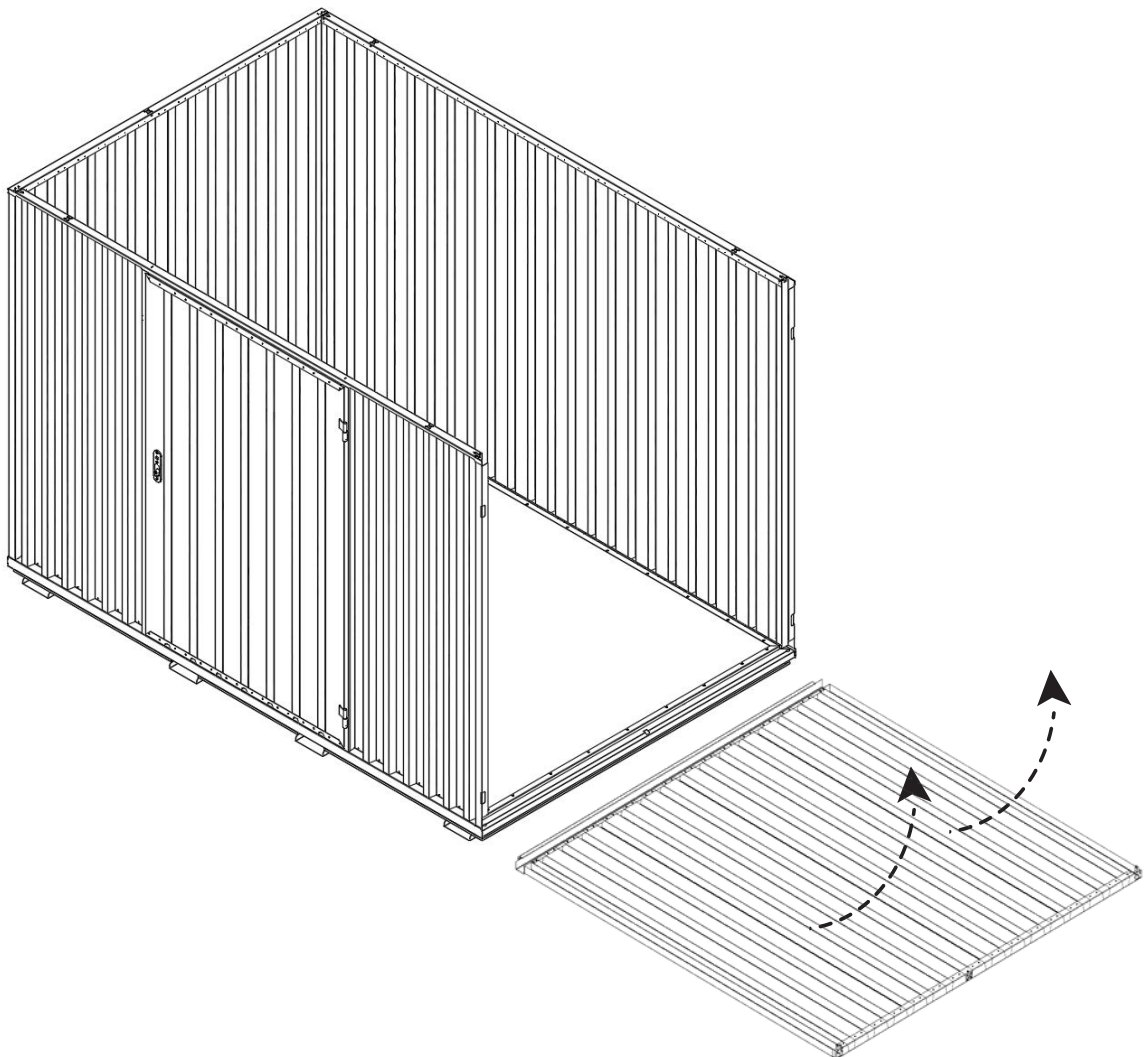
3



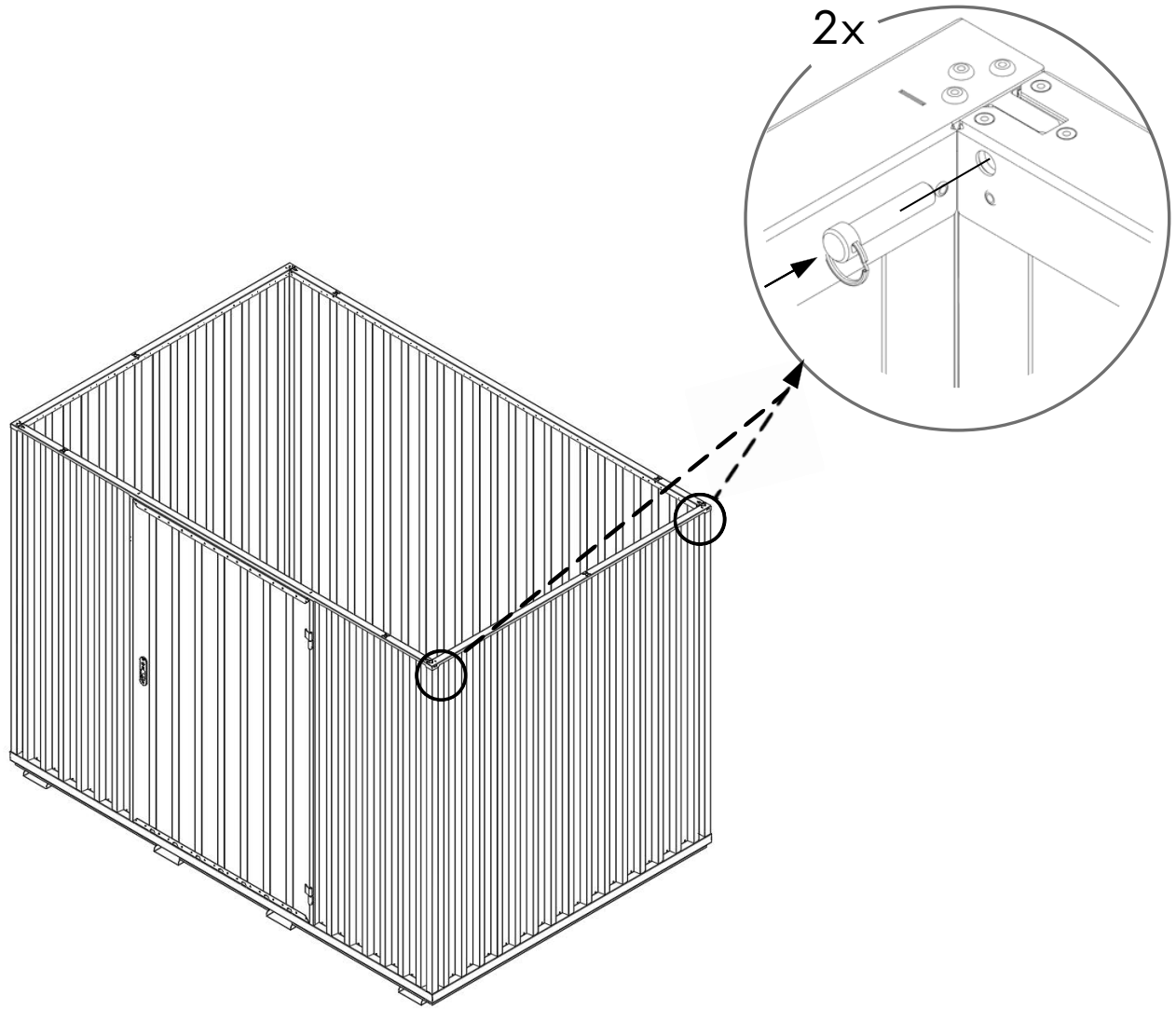
3.1











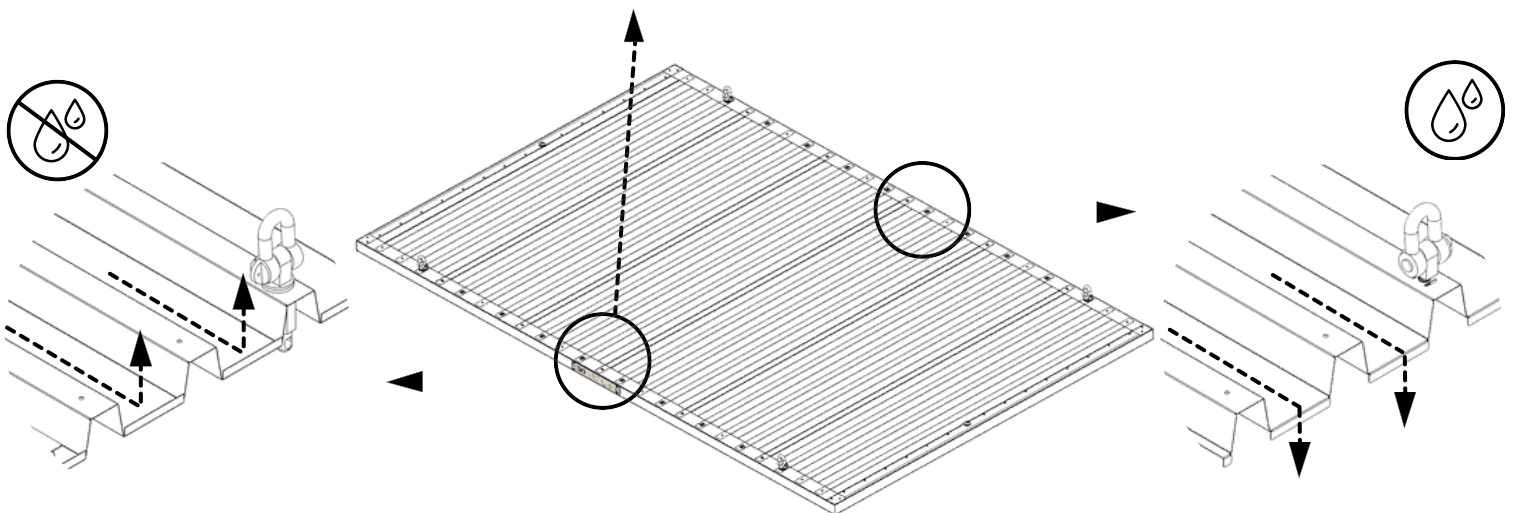
4



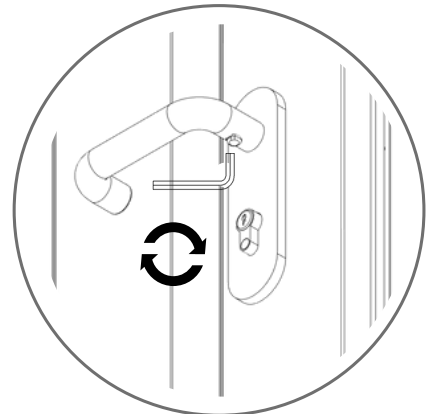
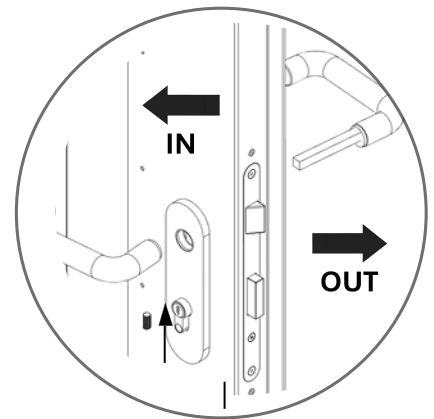
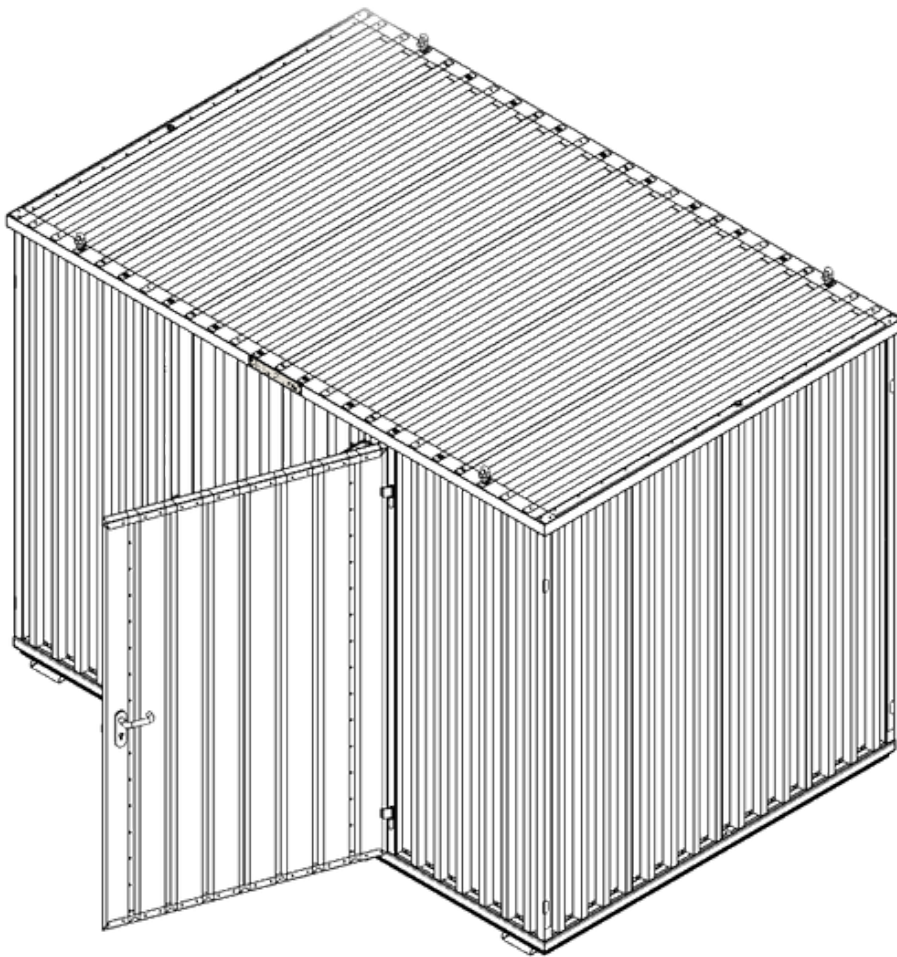
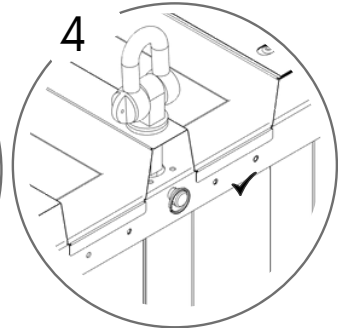
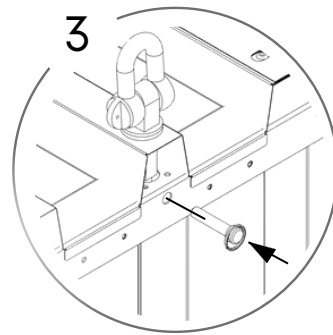
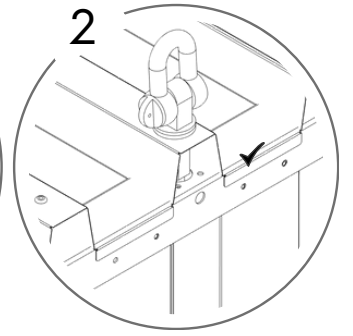
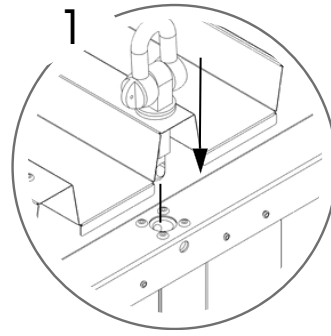
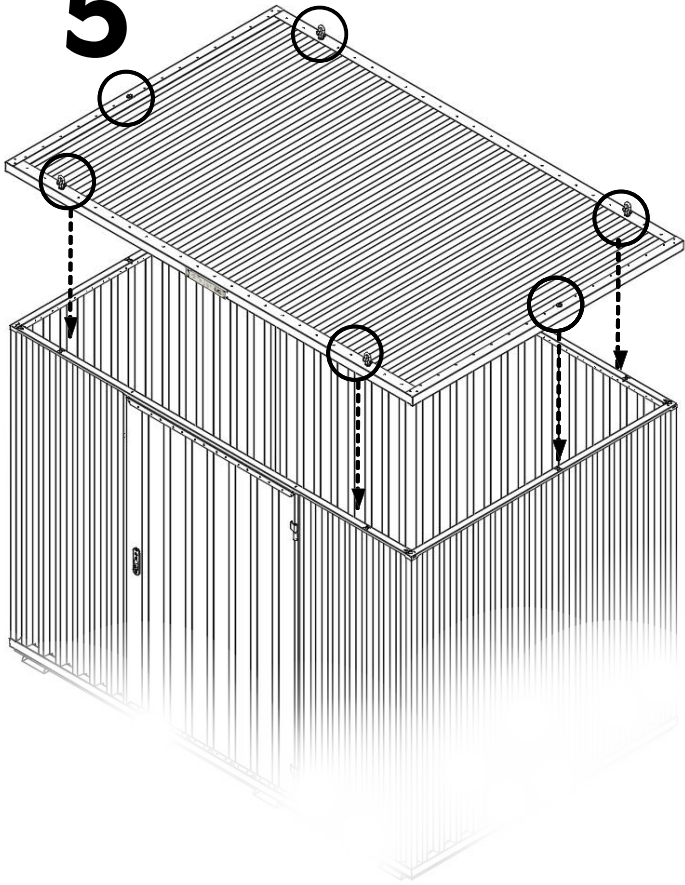
4.1



| | | | | |
|---|--|---|---|---|
|  337 KG |  1640 MM | Model Code: 30.110.420 Production Tracking Code:/X09.1.30.420  9001  14001  50001 |   |  |
|---|--|---|---|---|



5



7

