

PRODUCT CODE:40.110.430

prefabase
Quick Build Solutions

Instructions and User Guide



40.0110
1x

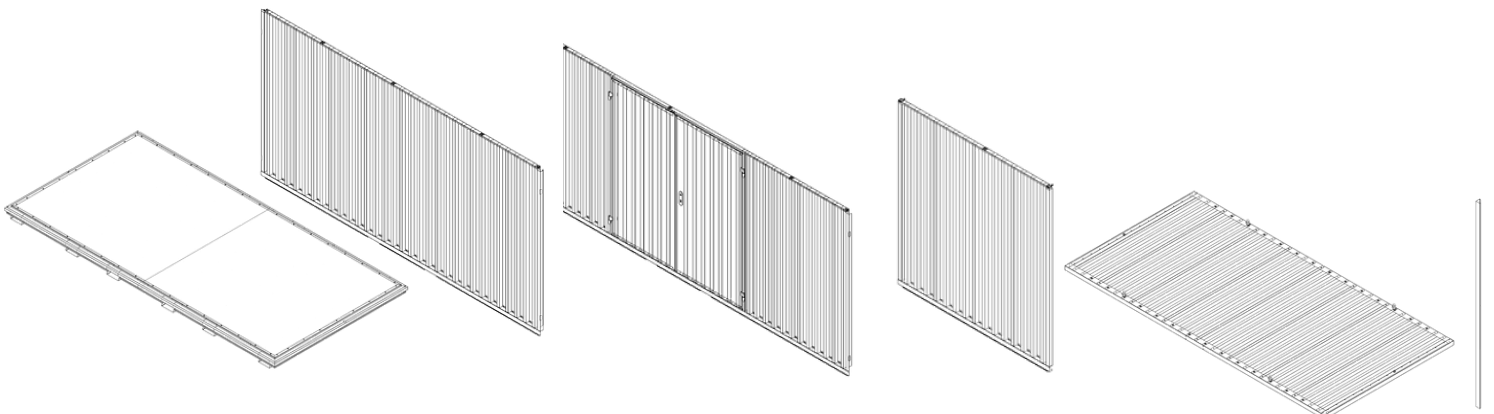
40.0410
1x

40.0430/0220/0230
1x

0310
2x

40.0510
1x

0099.61.101
4x





12x



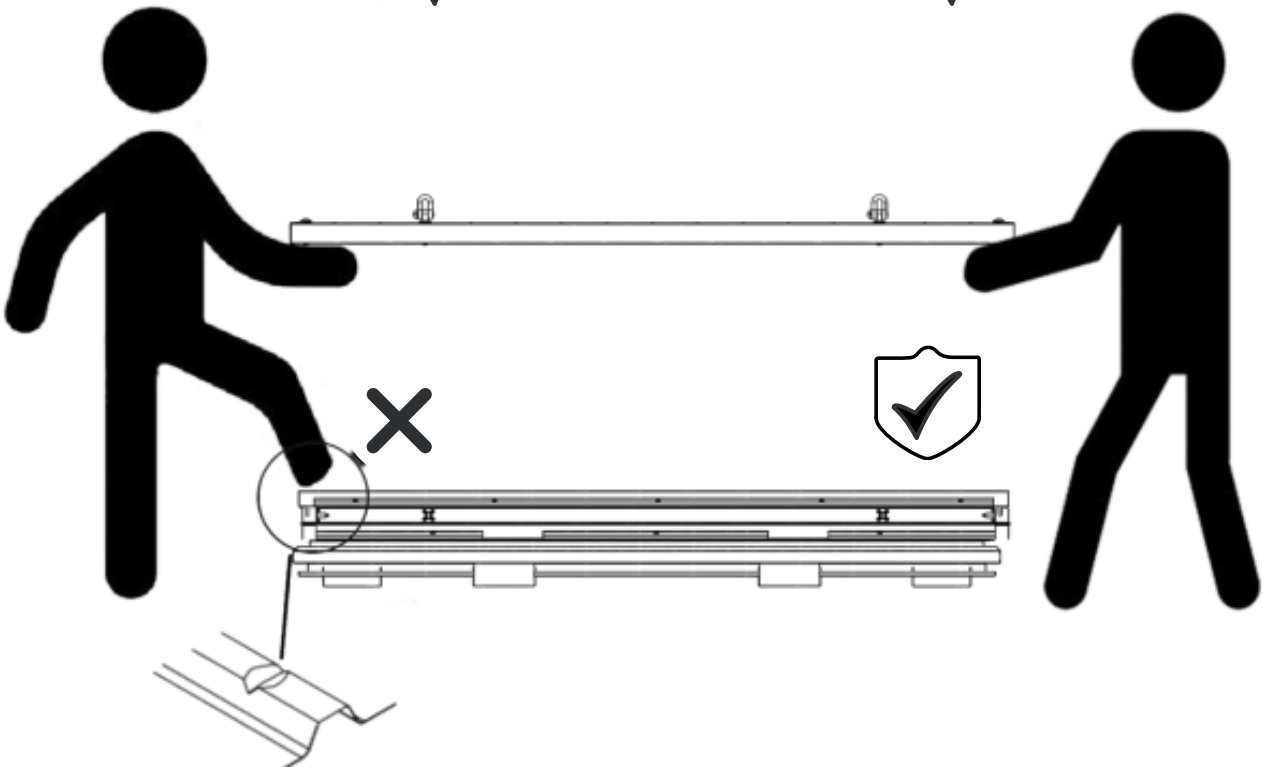
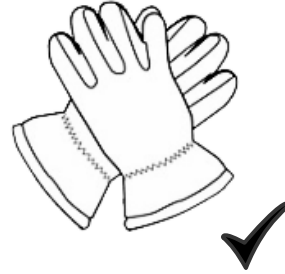
2x



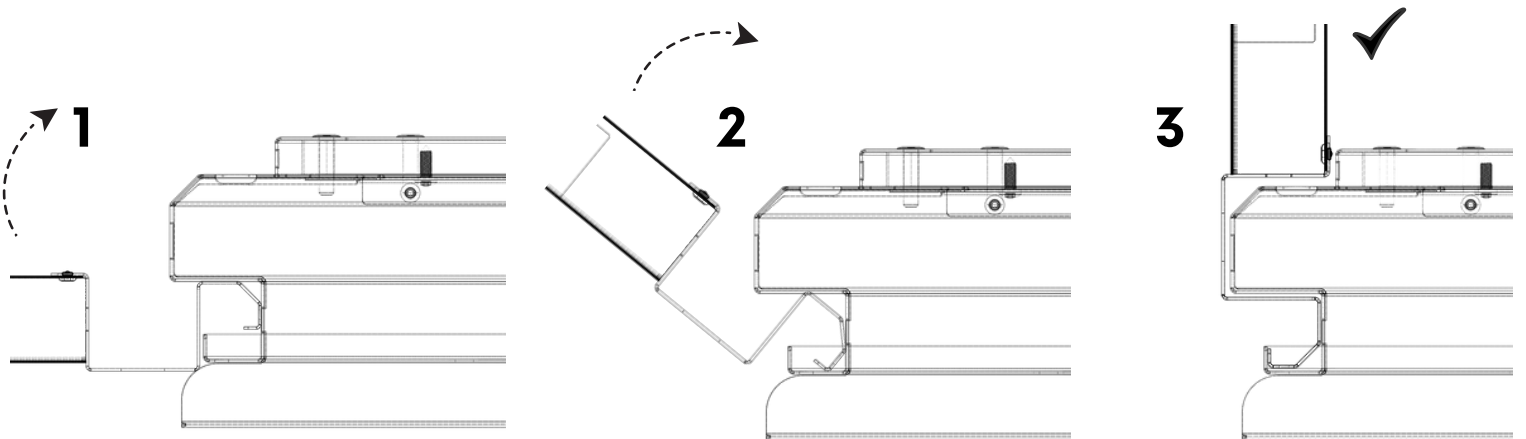
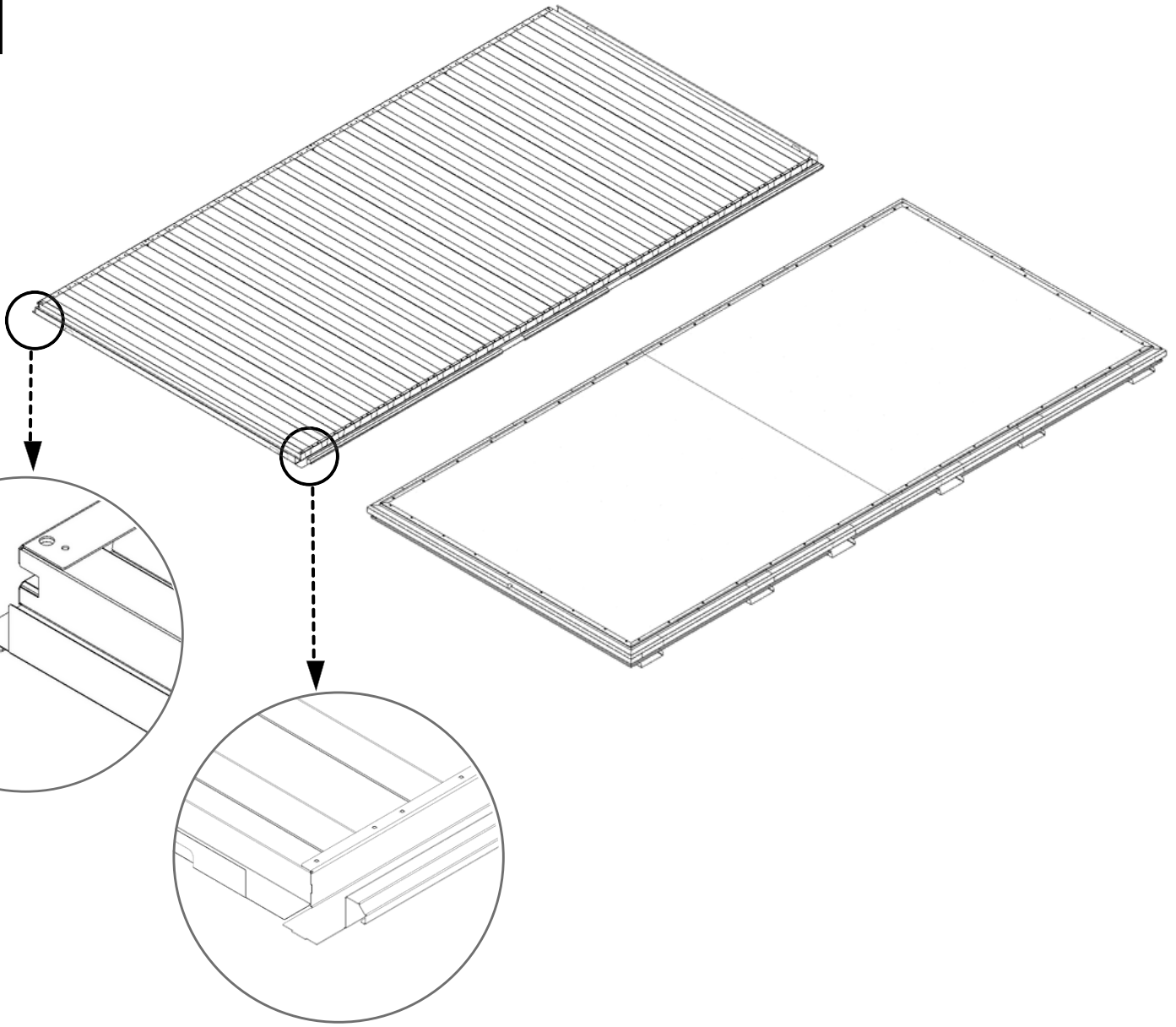
1x



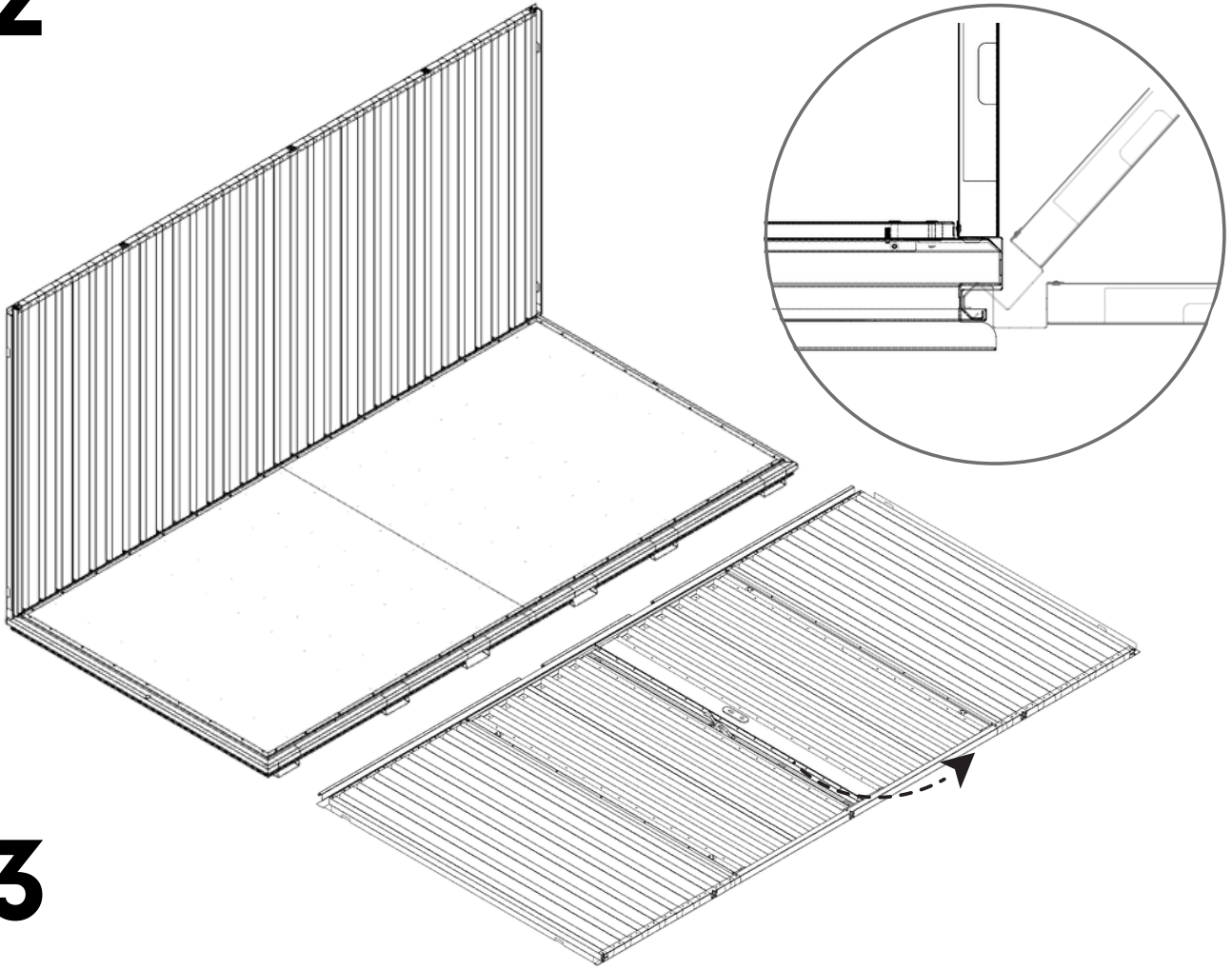
2x



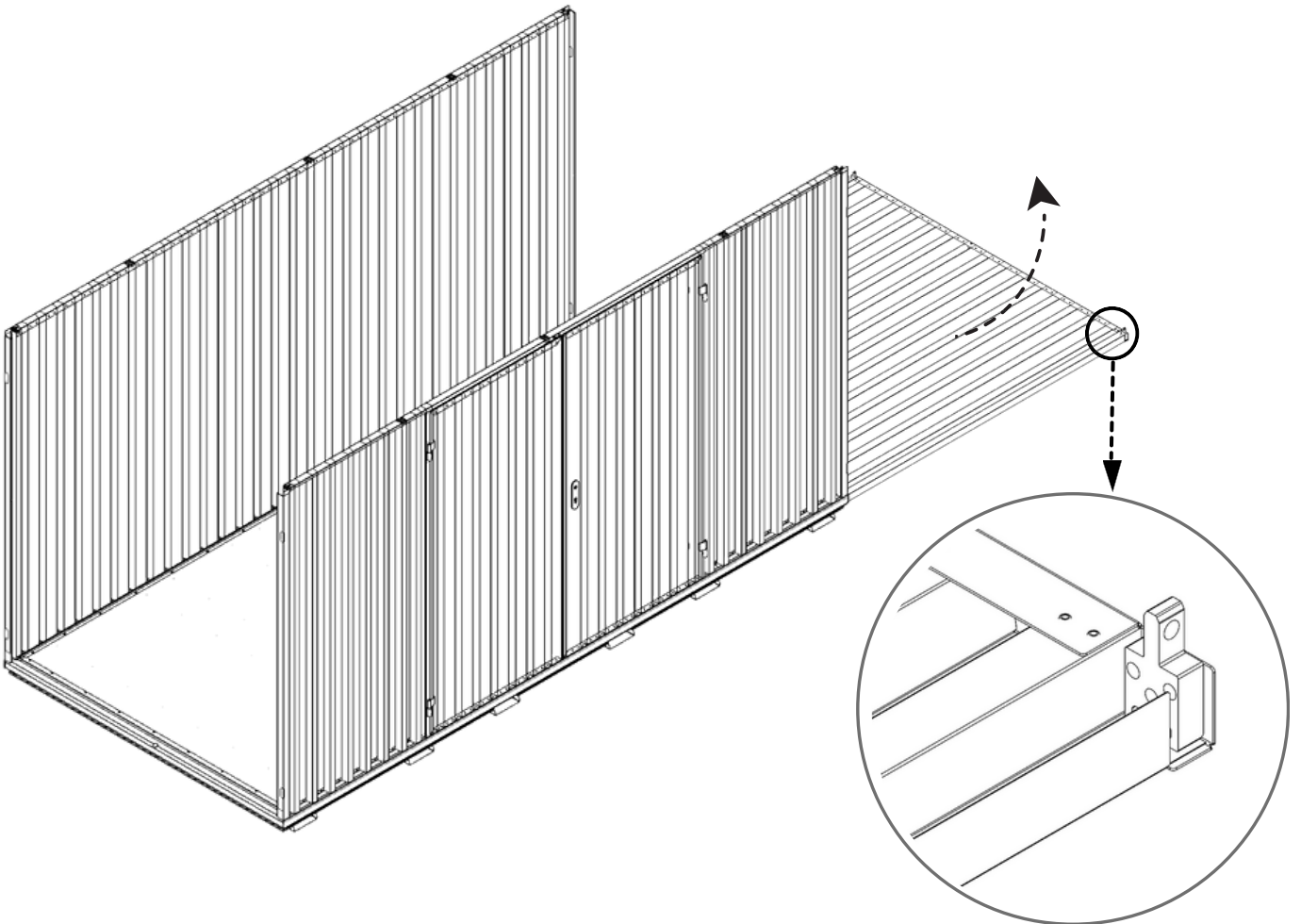
1



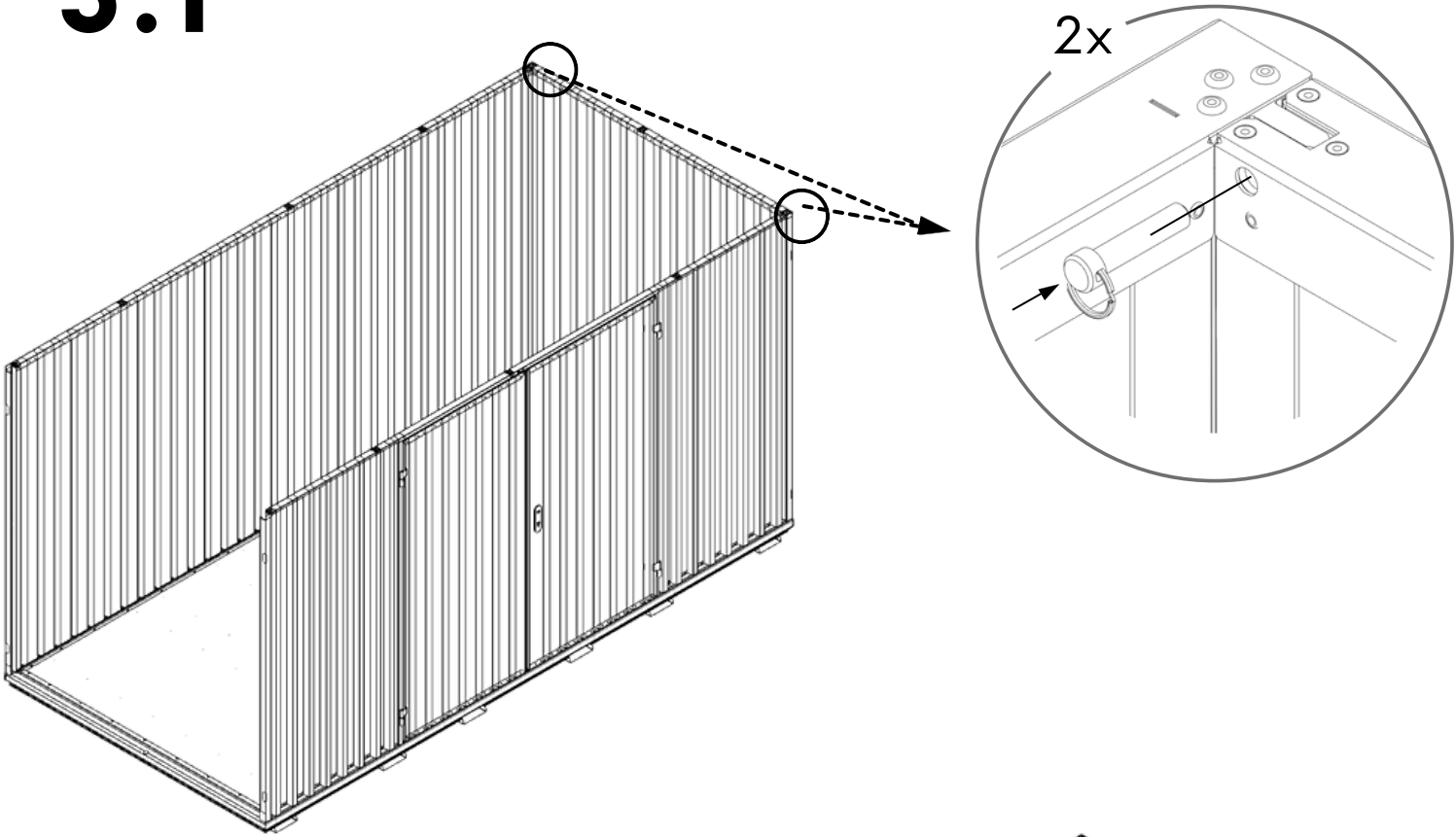
2



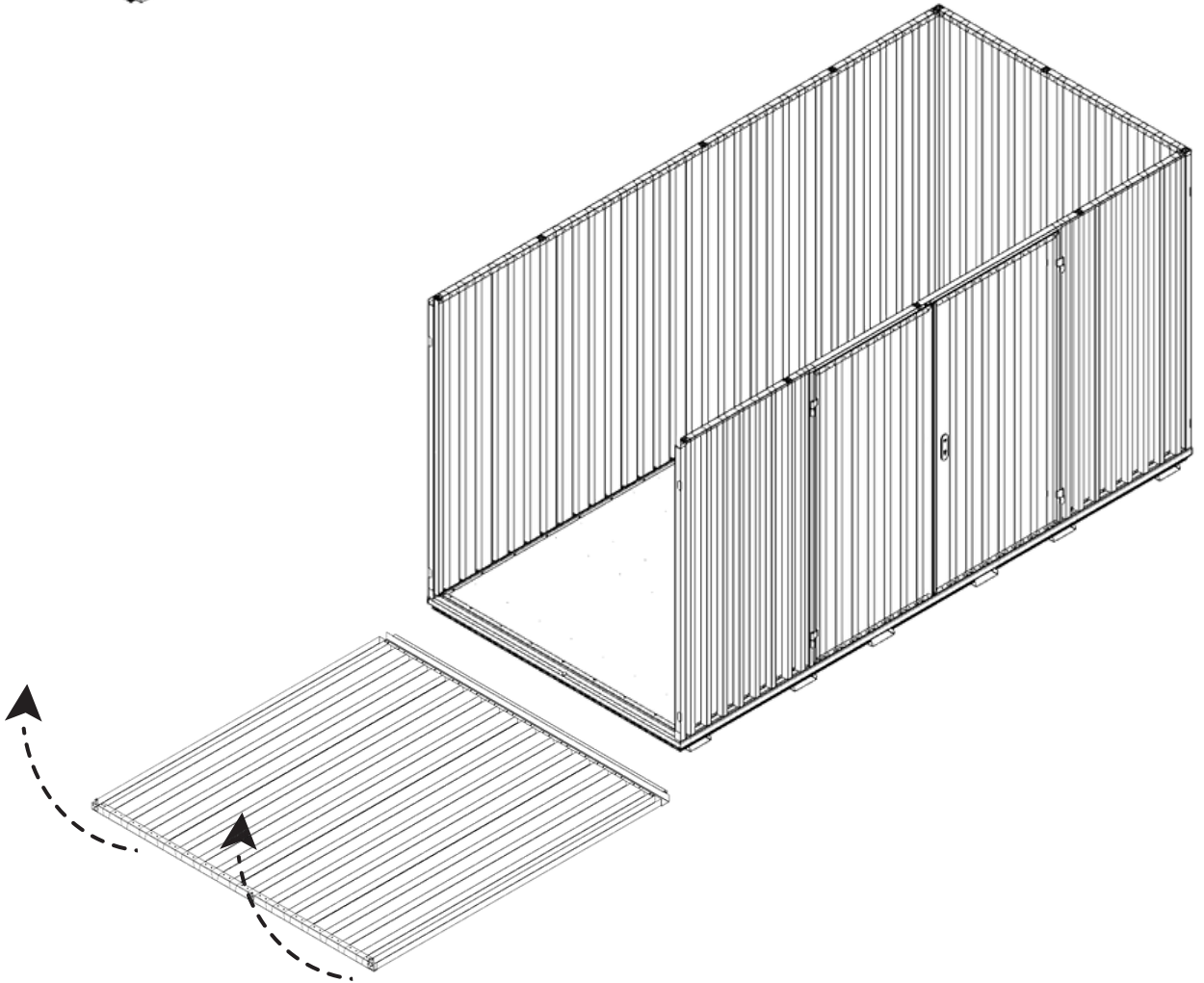
3



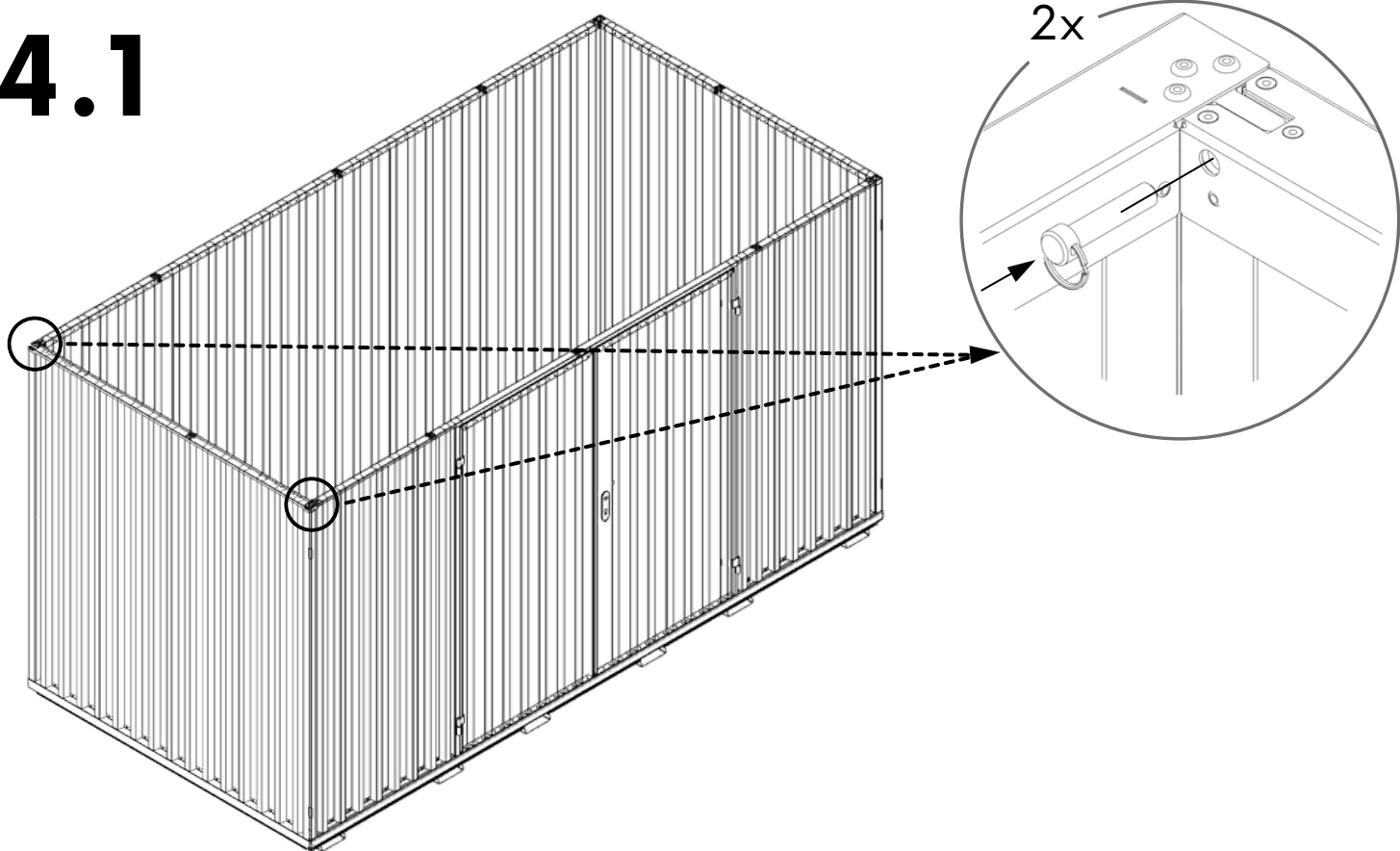
3.1












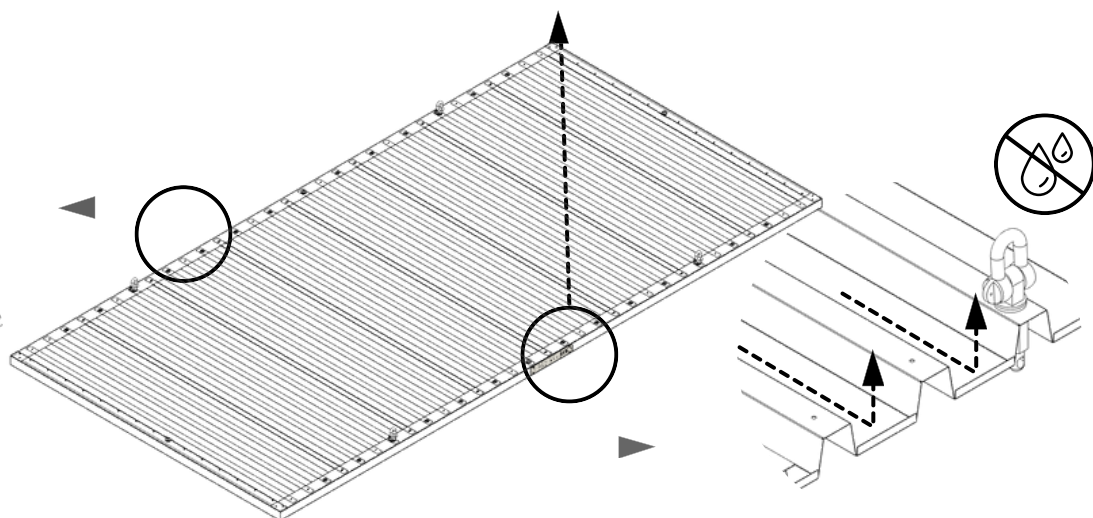
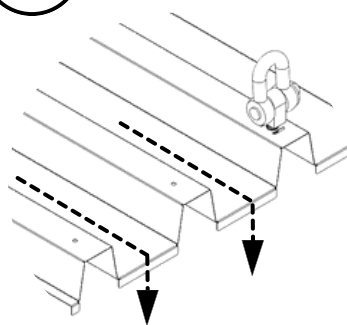
4



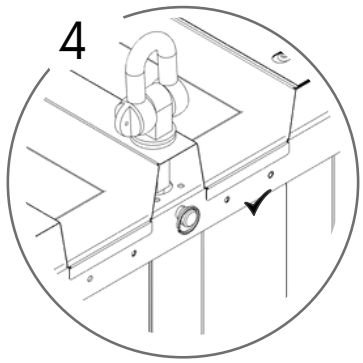
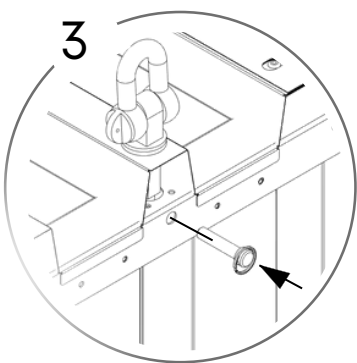
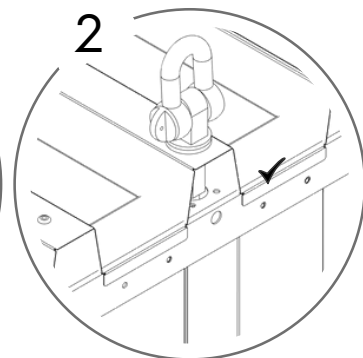
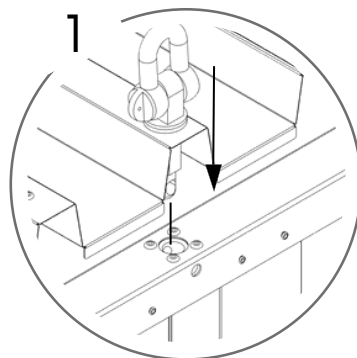
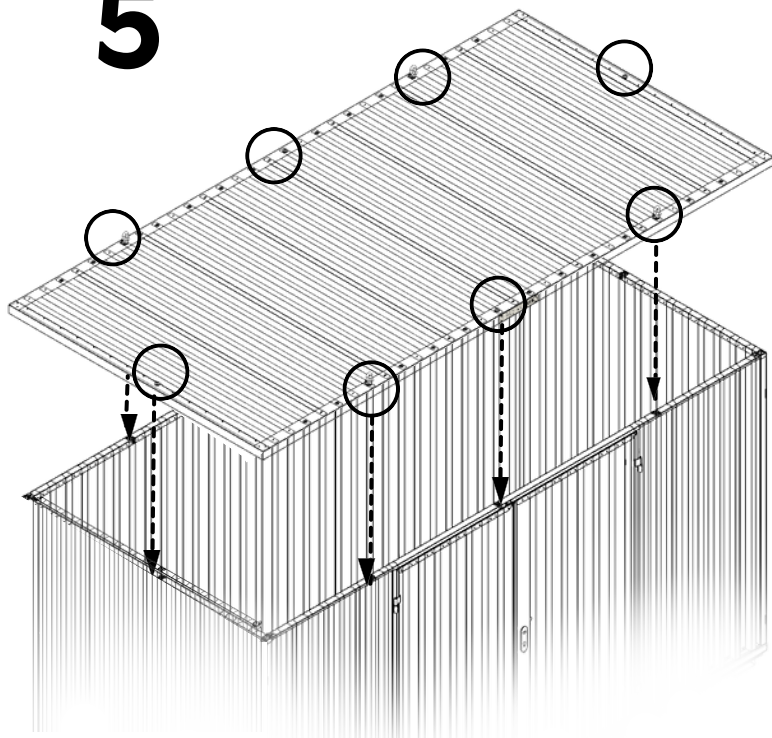
4.1



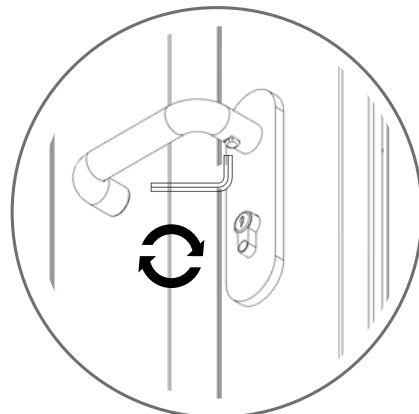
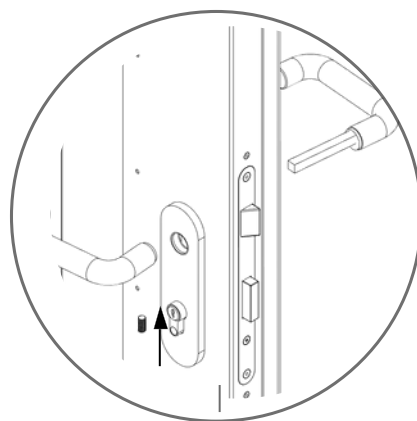
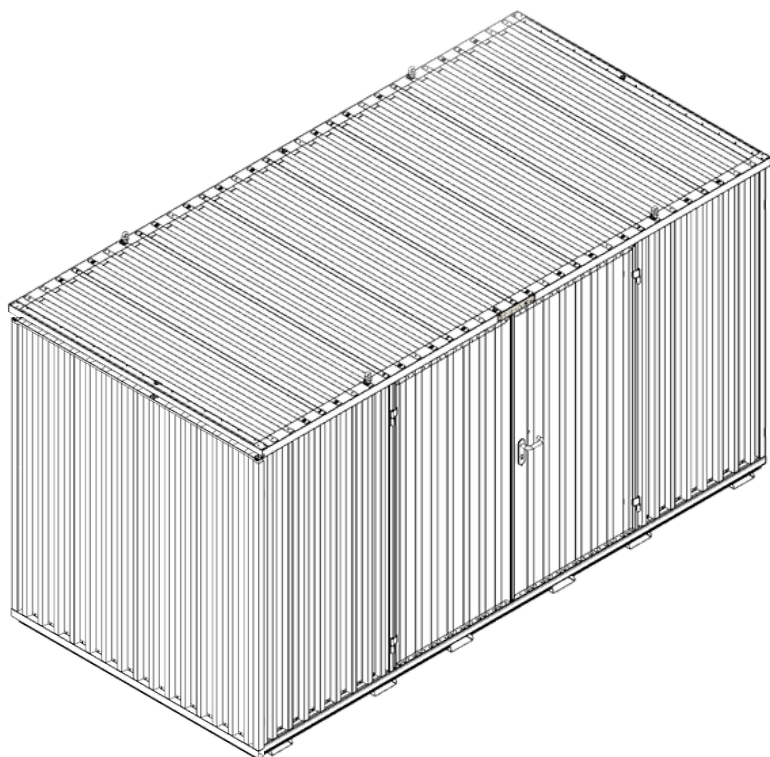
 336 KG	 3 TON	 1640 MM	Model Code: 30.110.440 Production Tracking Code:X09.1.30.440  9001  14001  50001	  
---	--	--	---	---



5



6



7

