

PRODUCT CODE: 40.110.330.331

prefabase
Quick Build Solutions

Instructions and User Guide

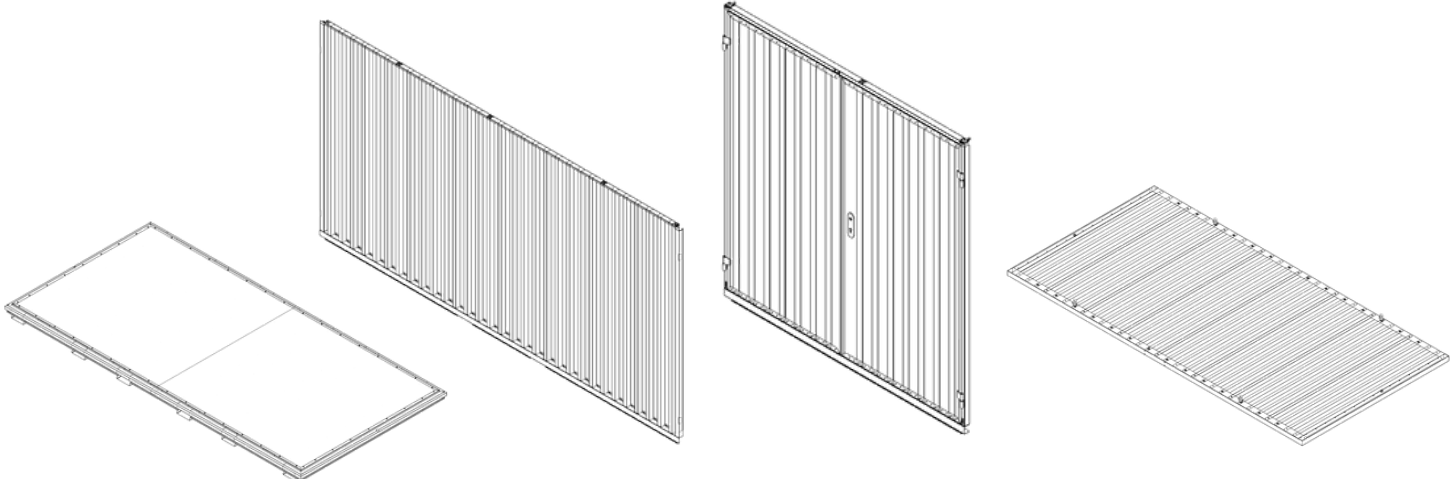


40.0110
1x

40.0410
2x

0220/0230
2X

40.0510
1x





12x



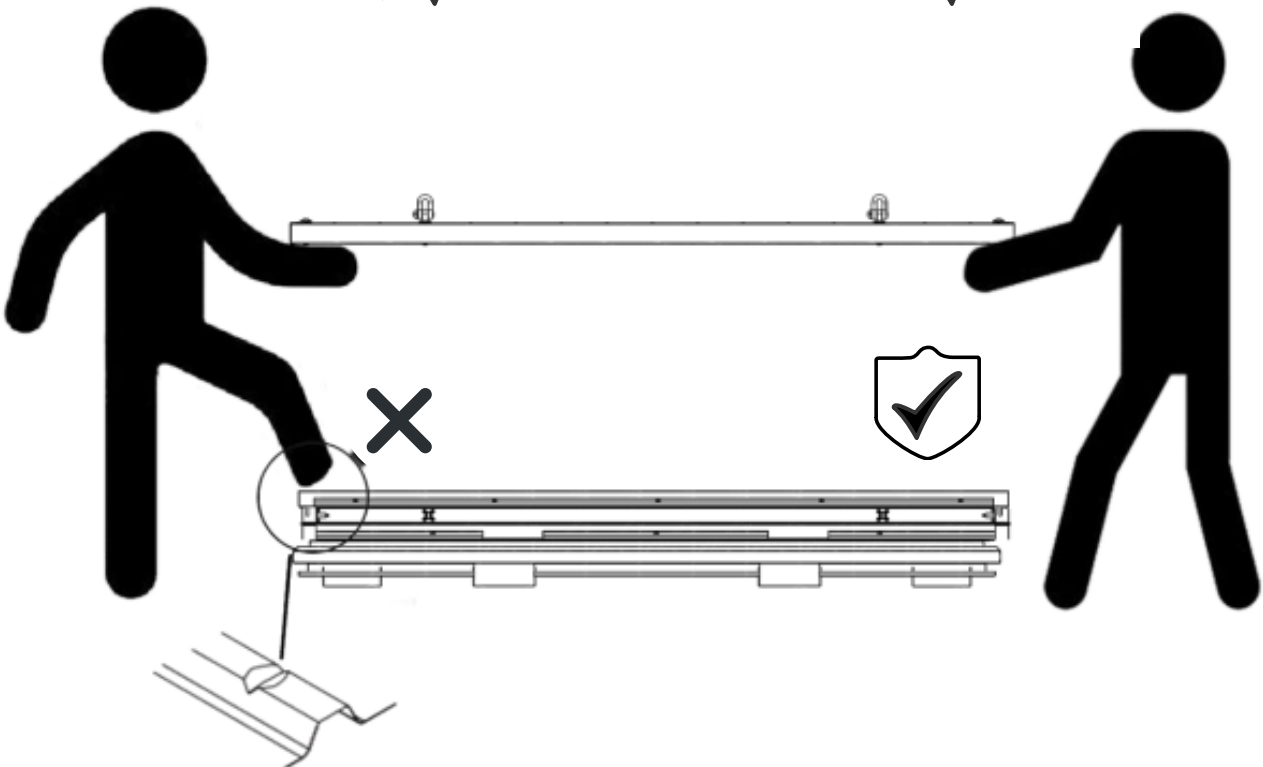
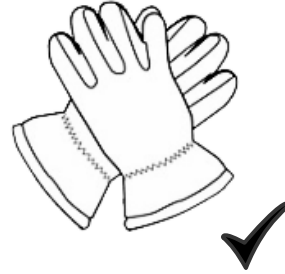
2x



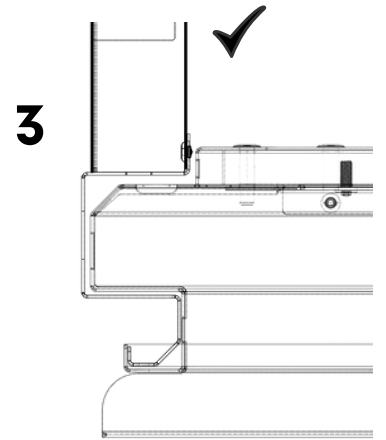
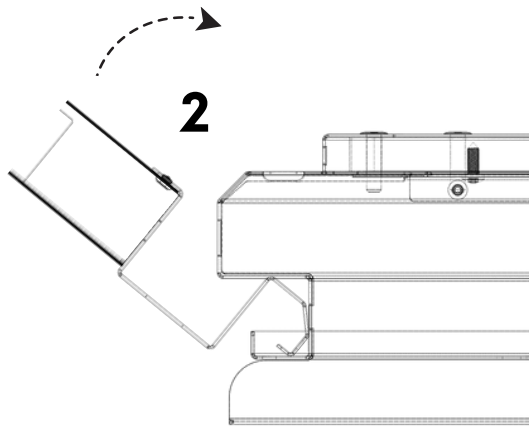
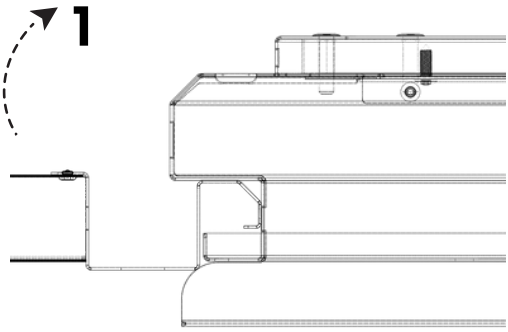
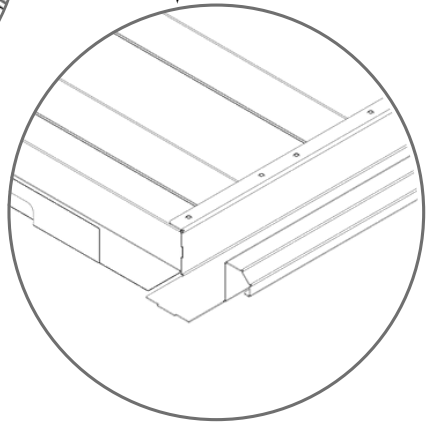
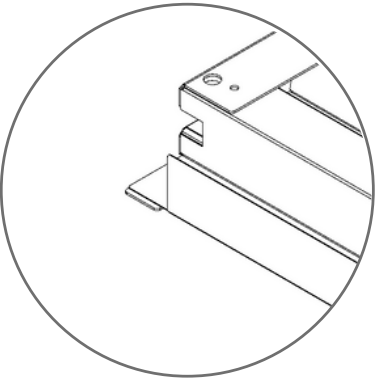
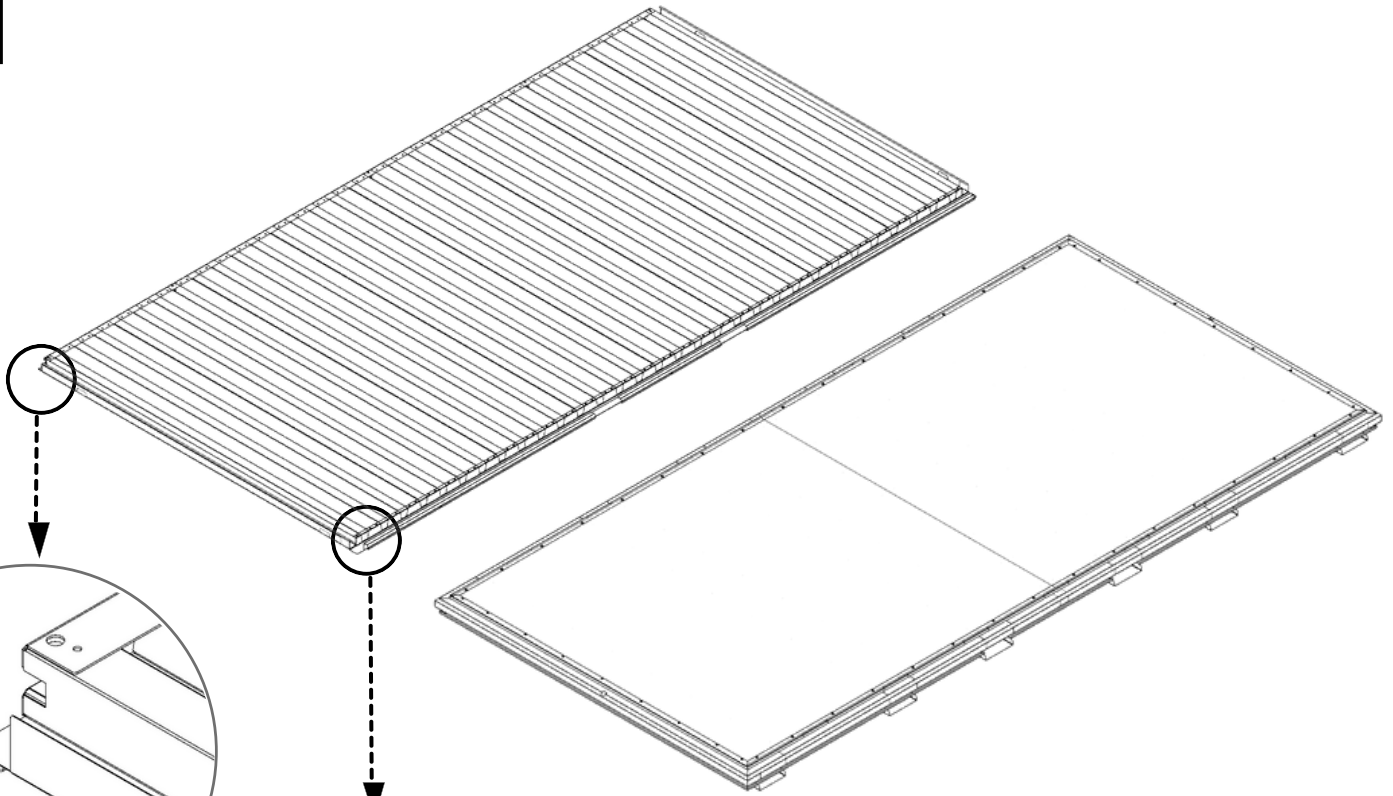
1x



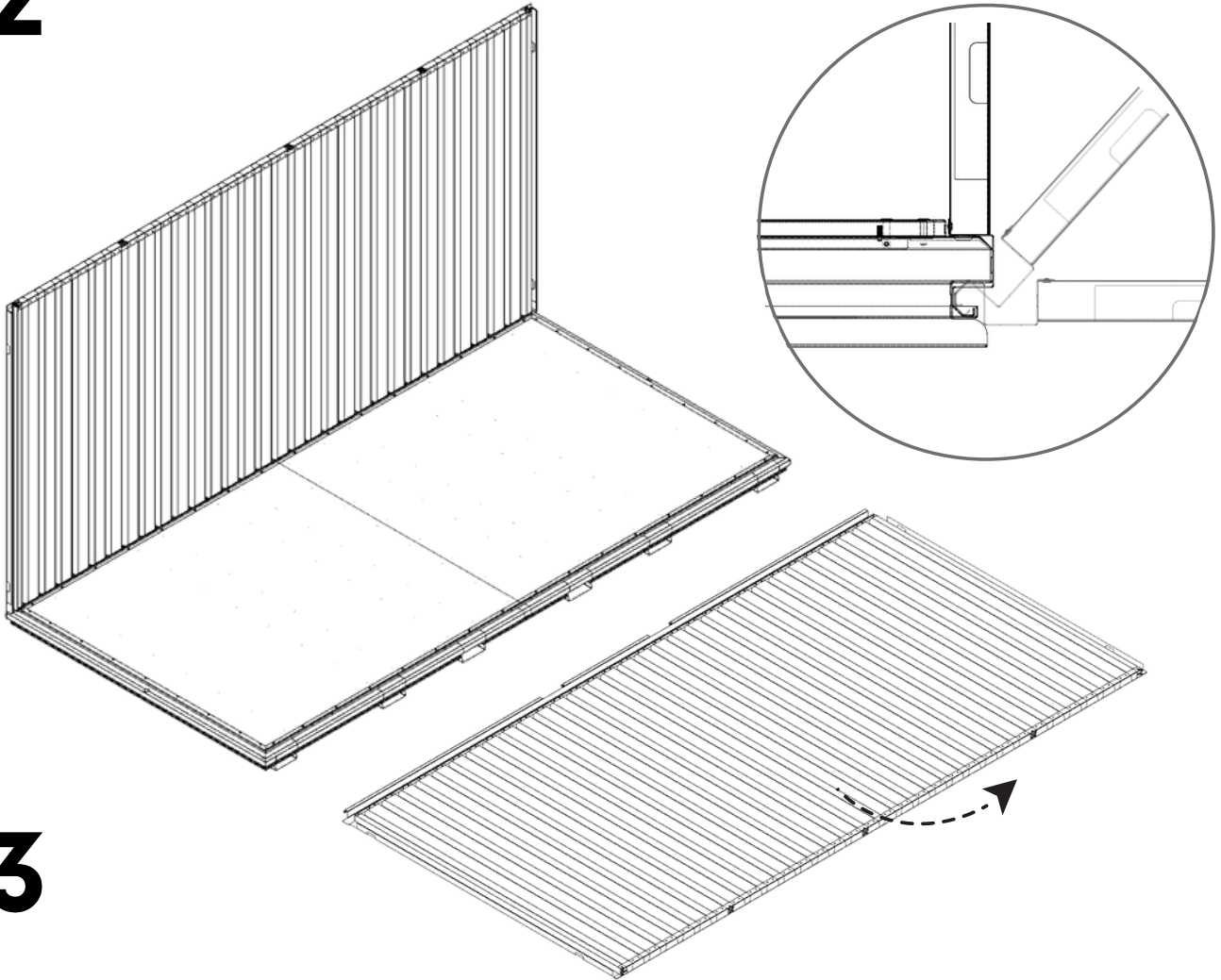
2x



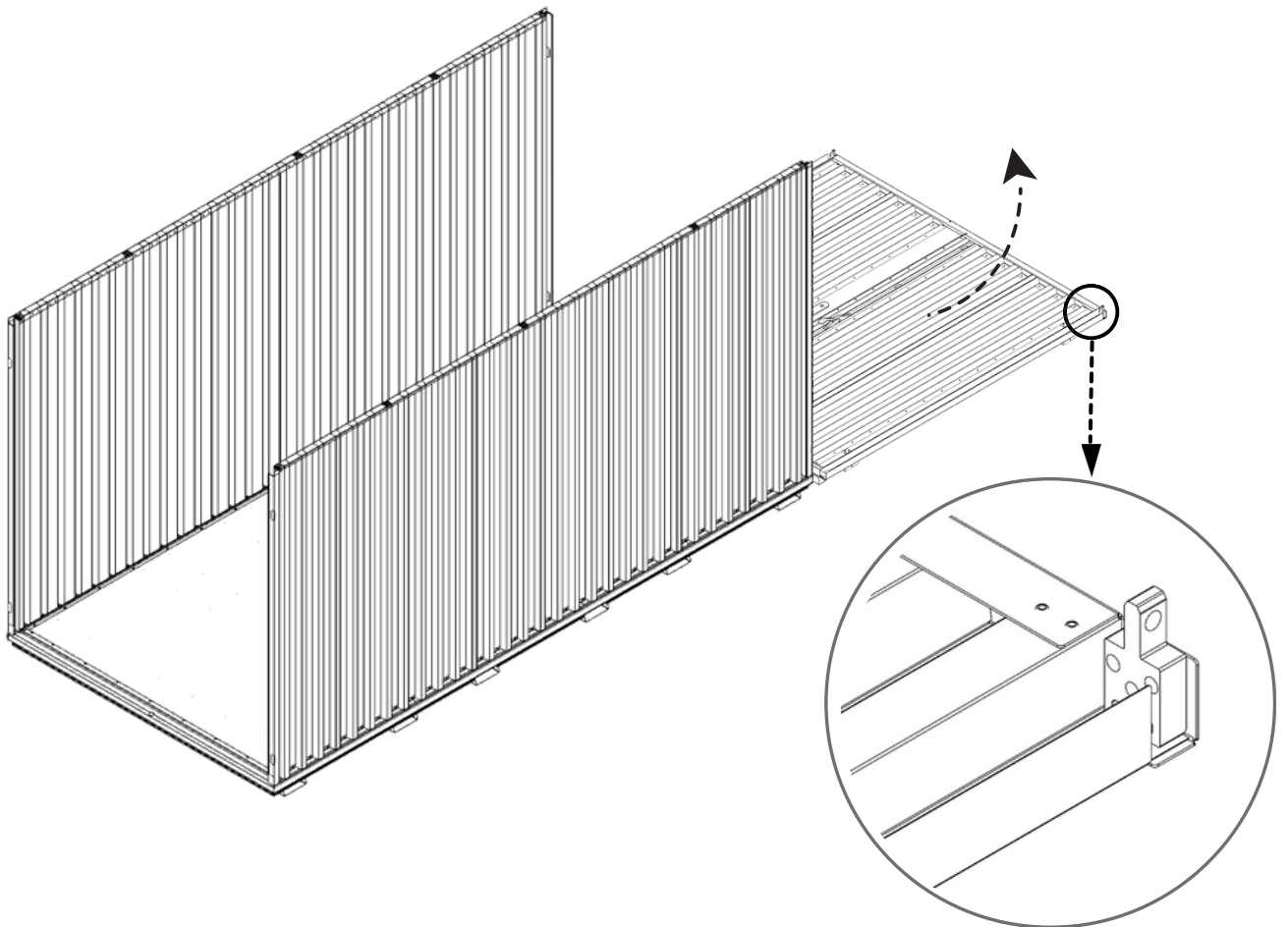
1



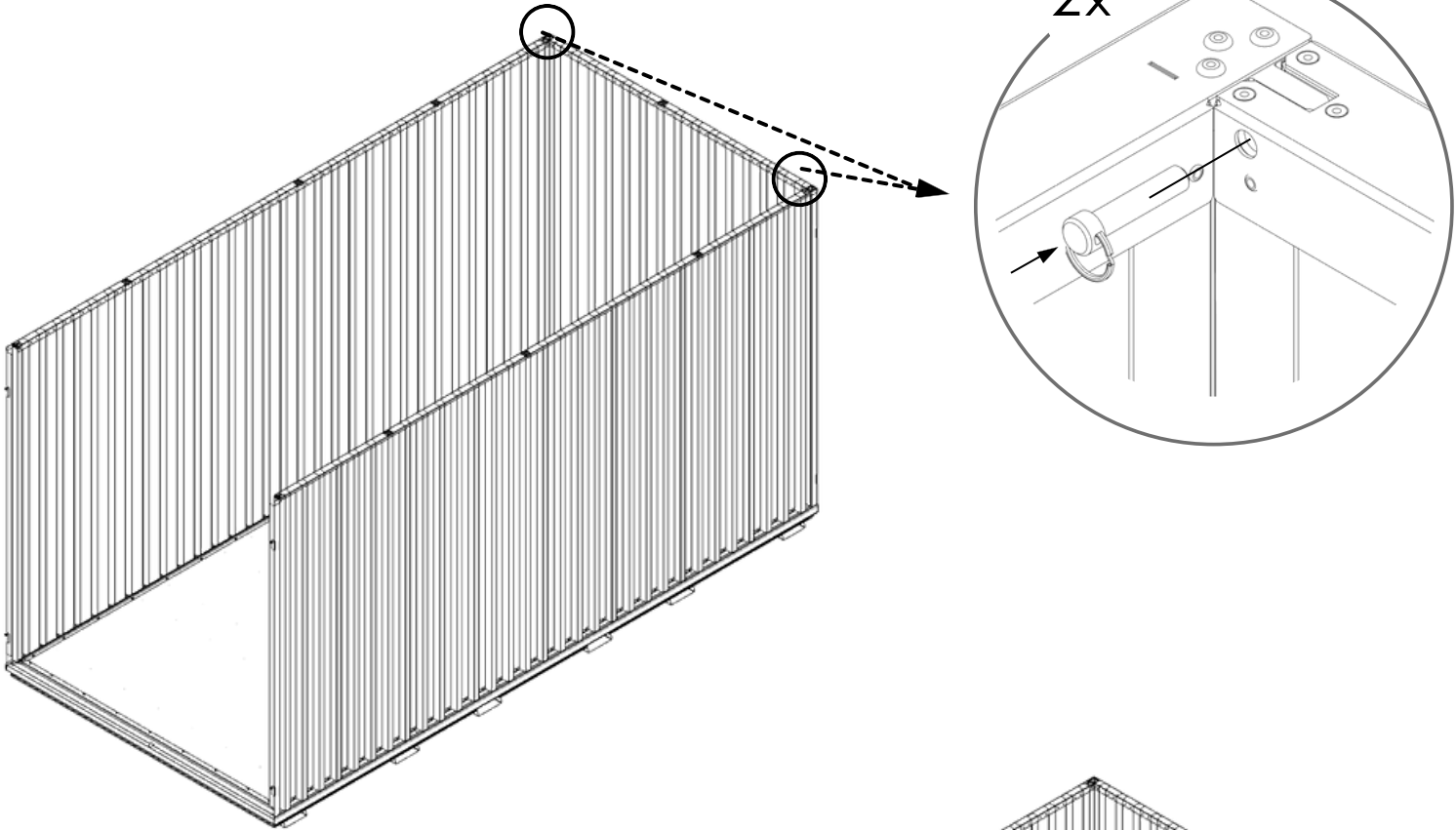
2



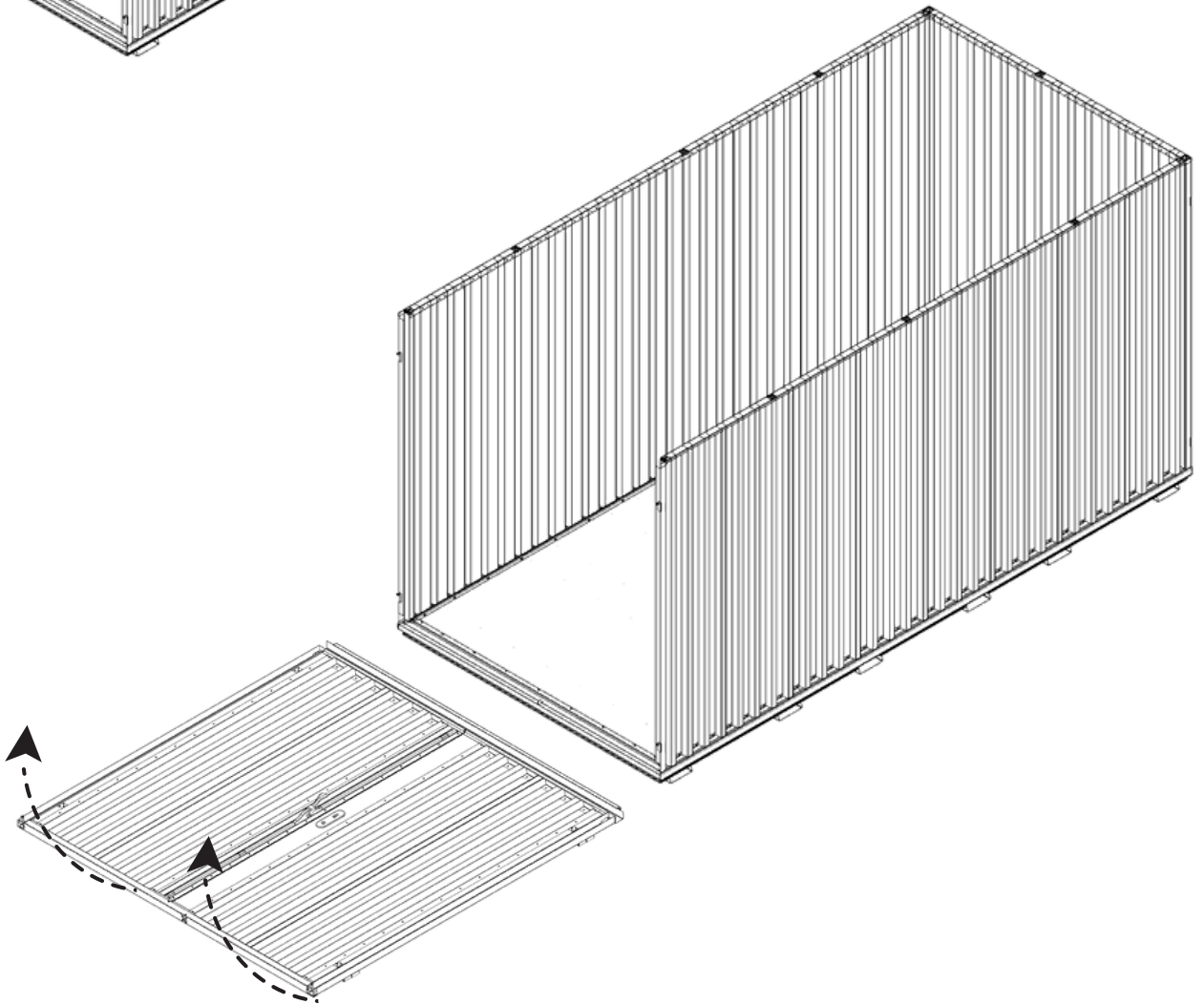
3



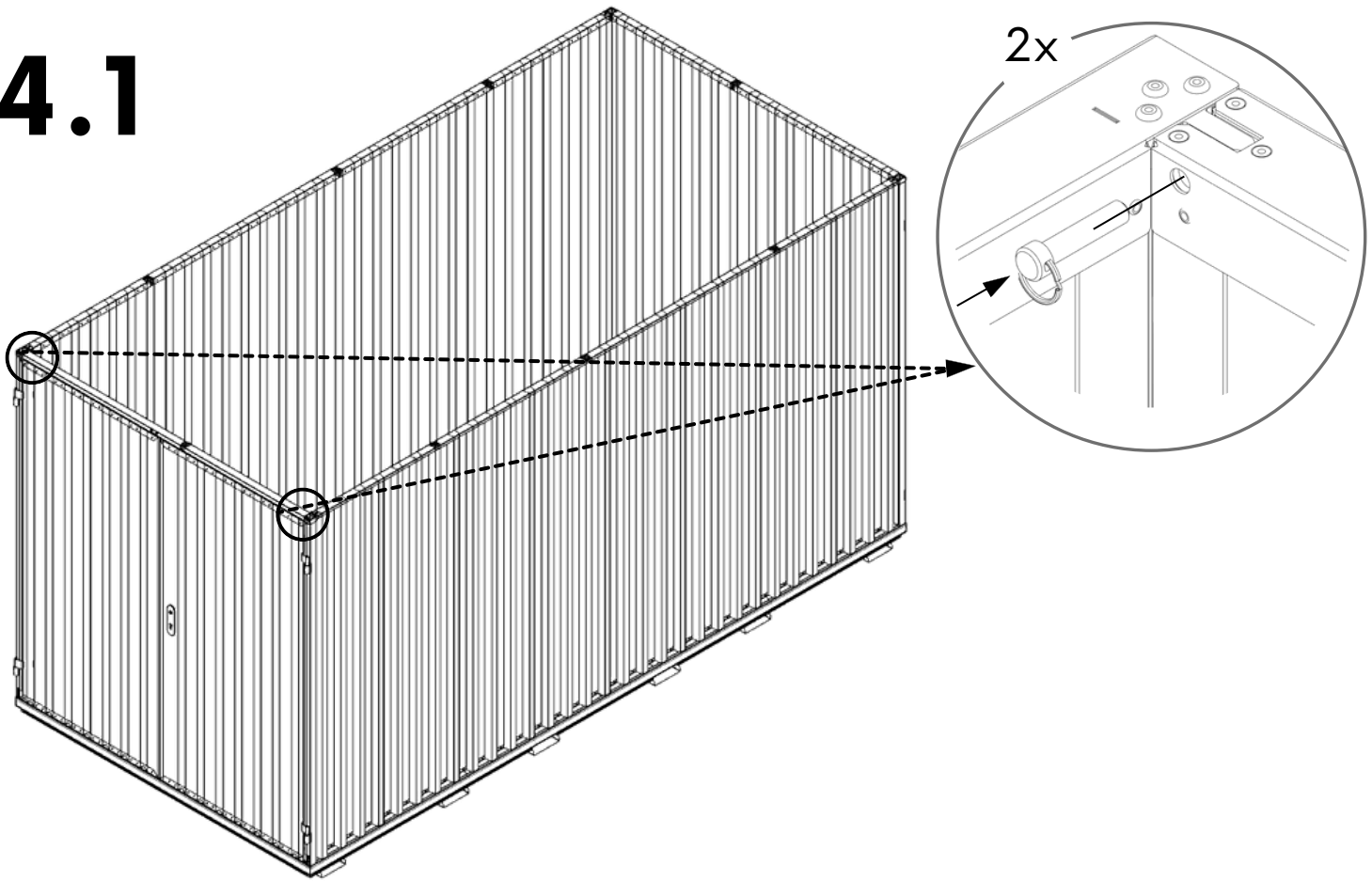
3.1












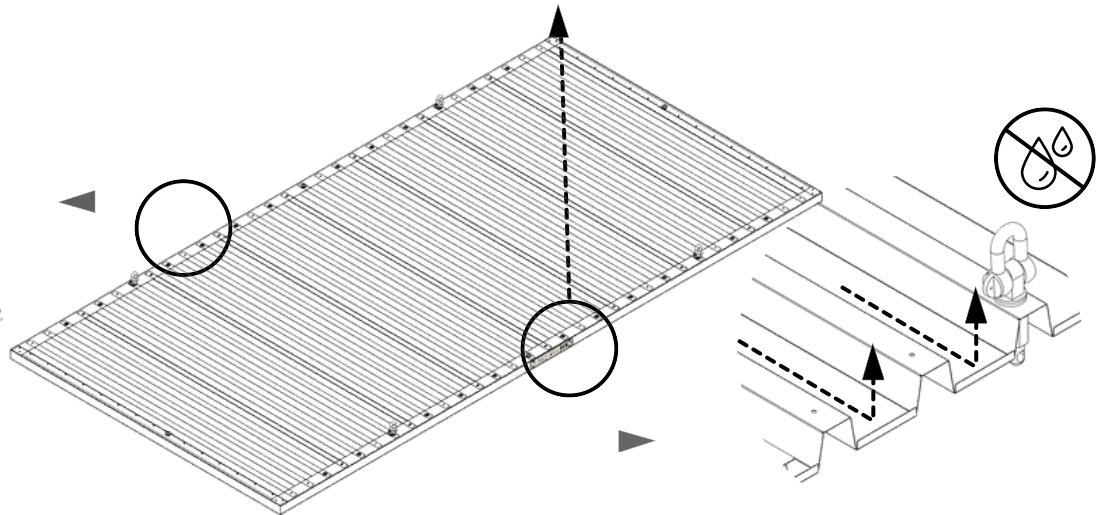
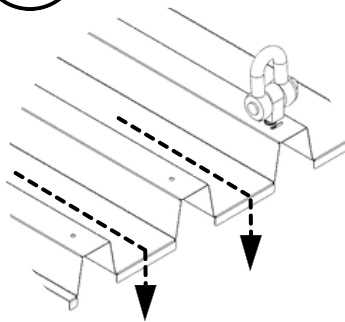
4



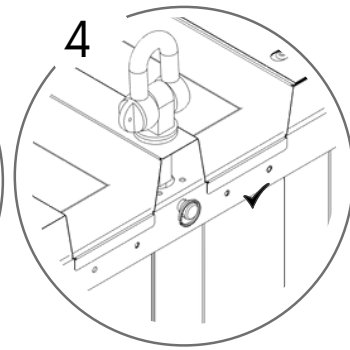
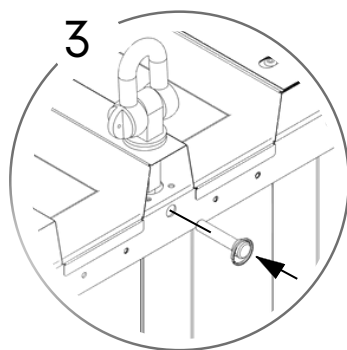
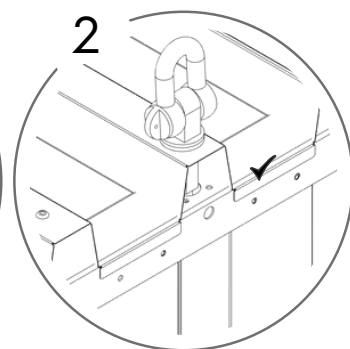
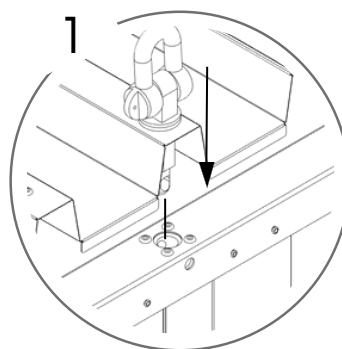
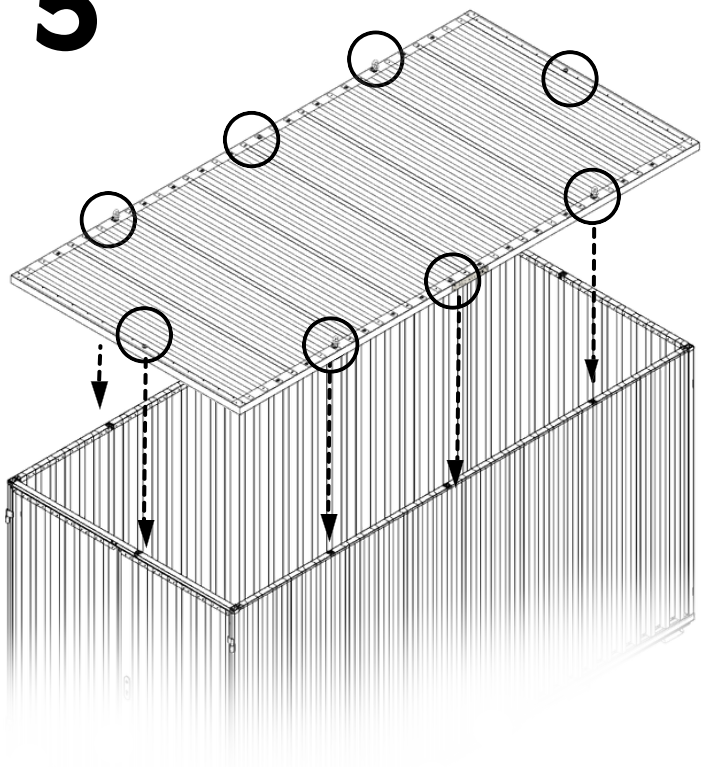
4.1



 336 KG	 3 TON	 1640 MM	Model Code: 30.110.440 Production Tracking Code:X09.1.30.440    9001 14001 50001	  
---	--	--	--	---



5



6

