

PRODUCT CODE:50.110.420.320

**prefabase**  
Quick Build Solutions

Instructions and User Guide



50.0110  
1x

50.0420/0210  
1x

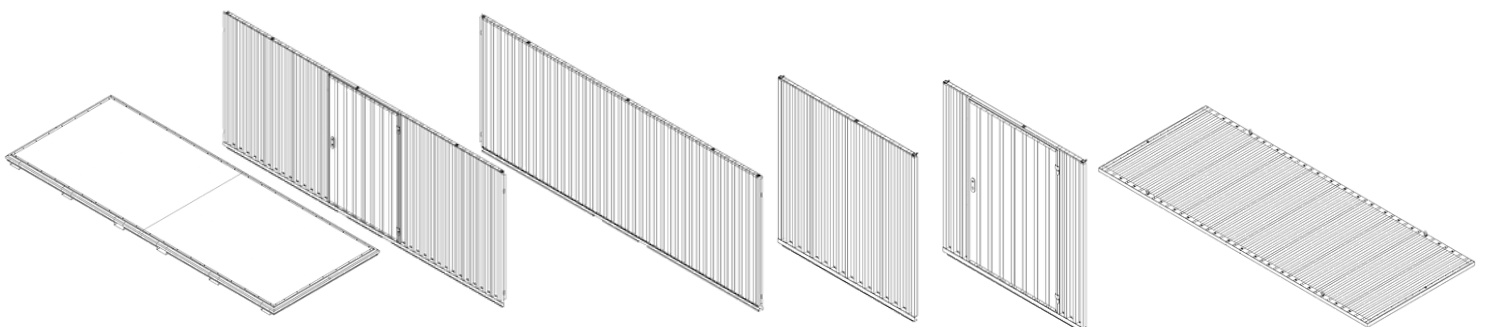
50.0410  
1x

0310  
1x

0320/0210  
1x

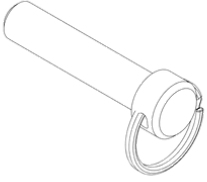
50.0510  
1x

0099.61.101  
4x

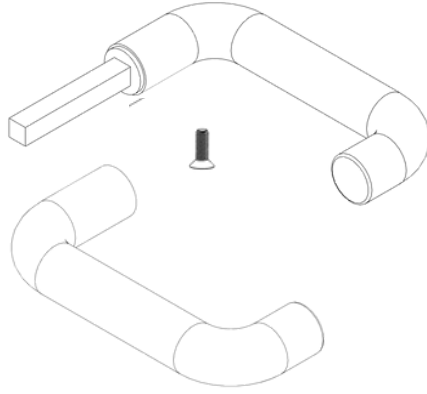




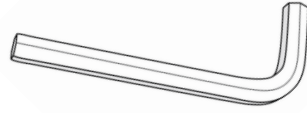
12x



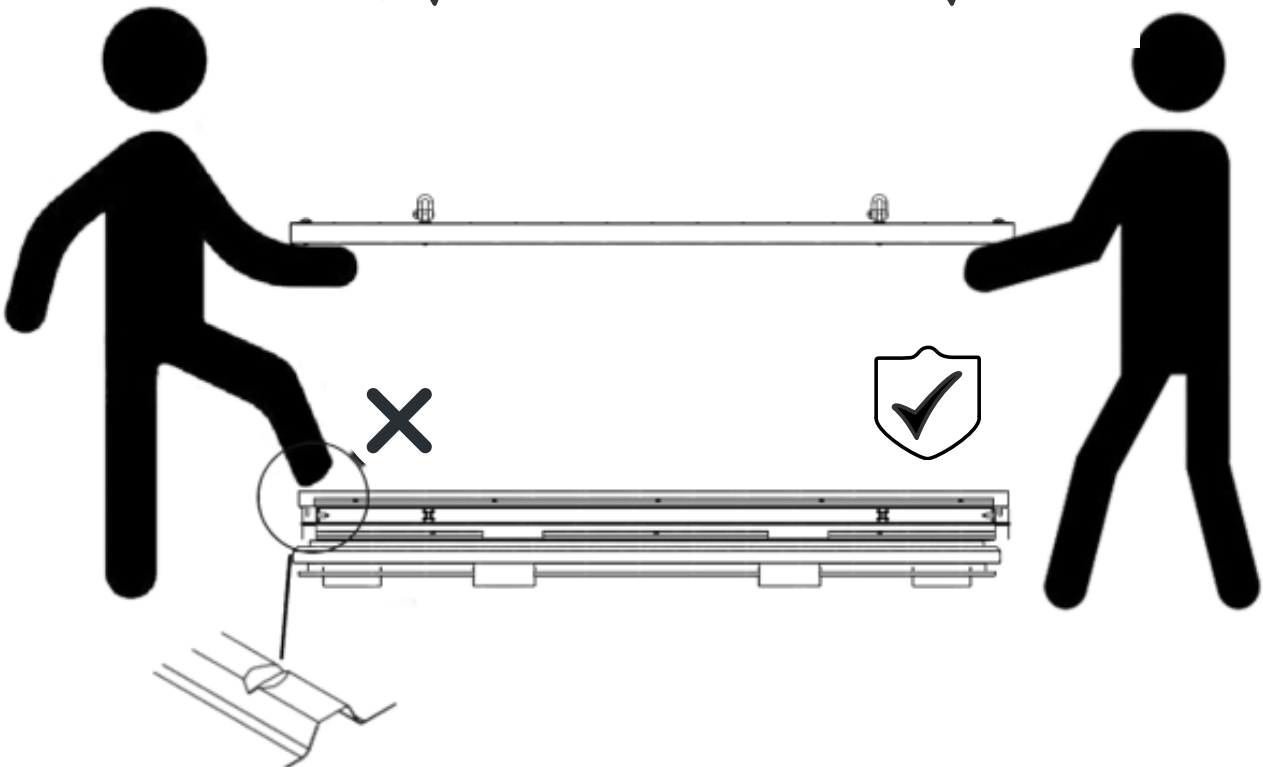
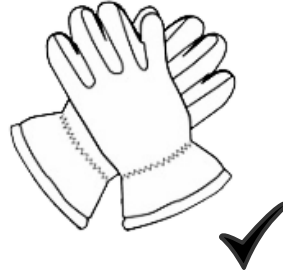
2x



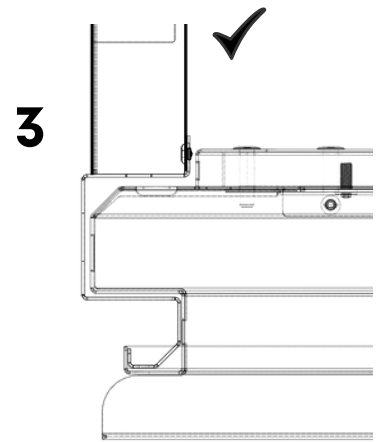
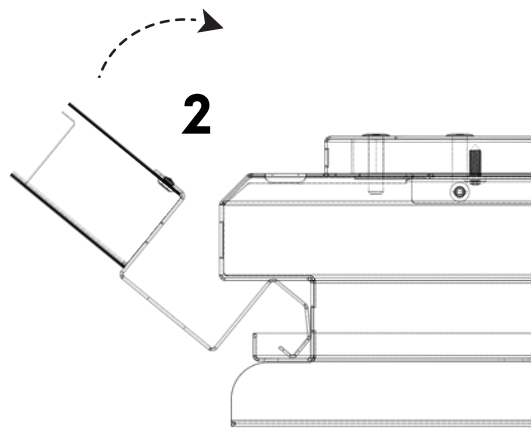
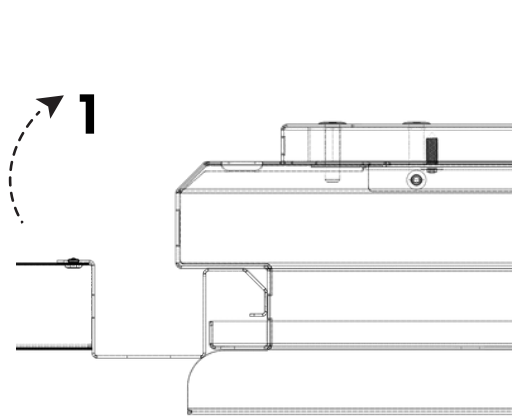
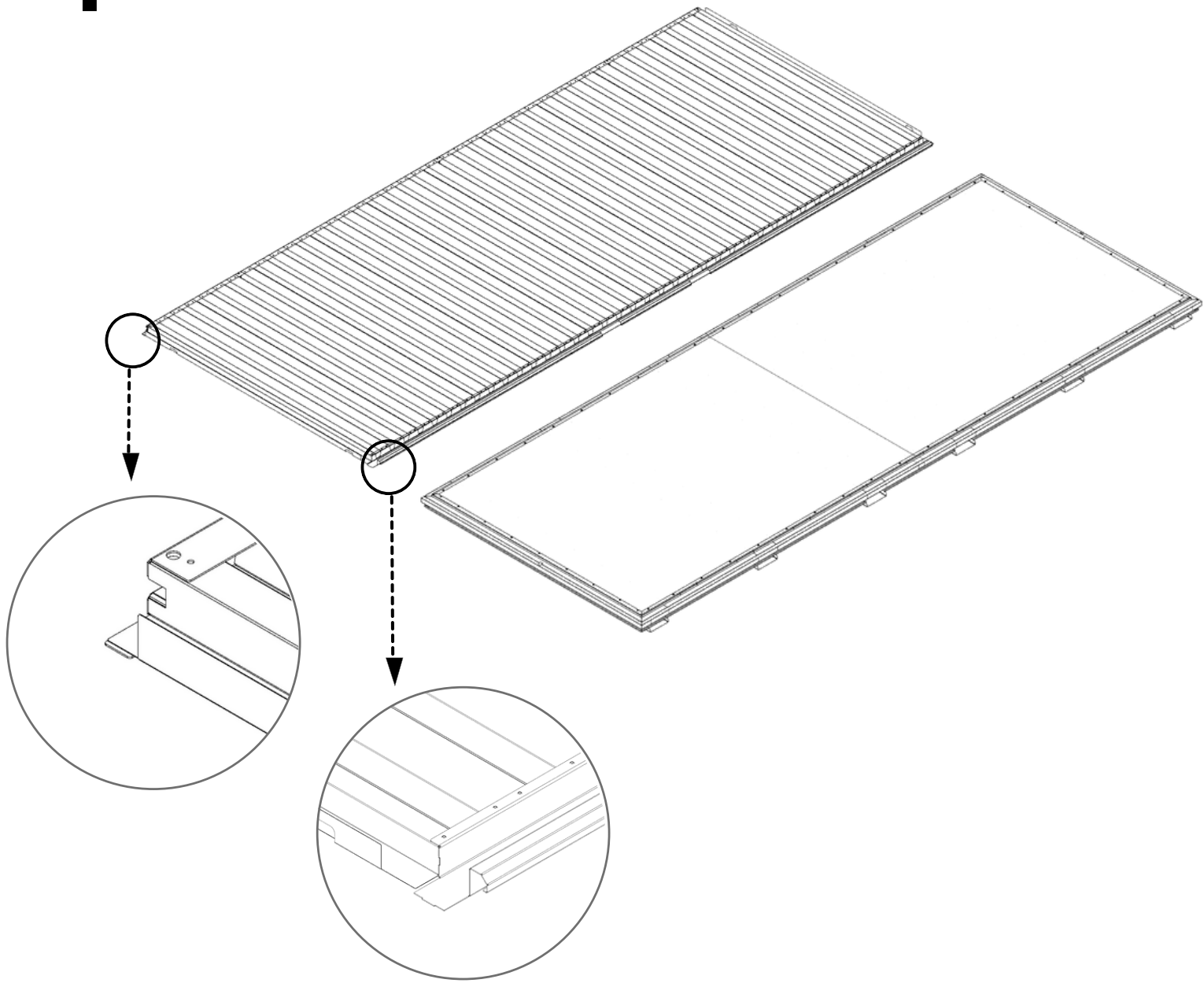
1x



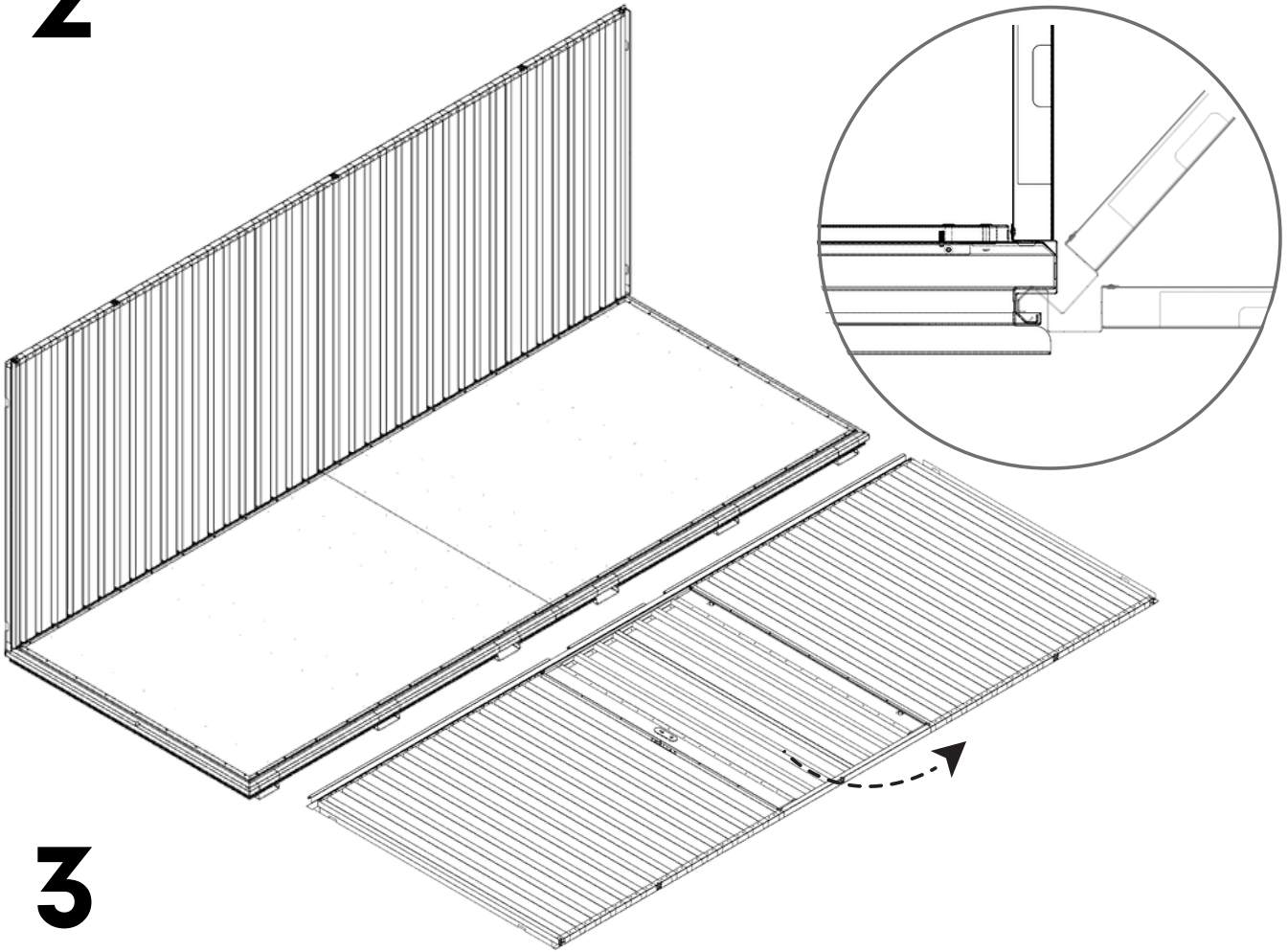
2x



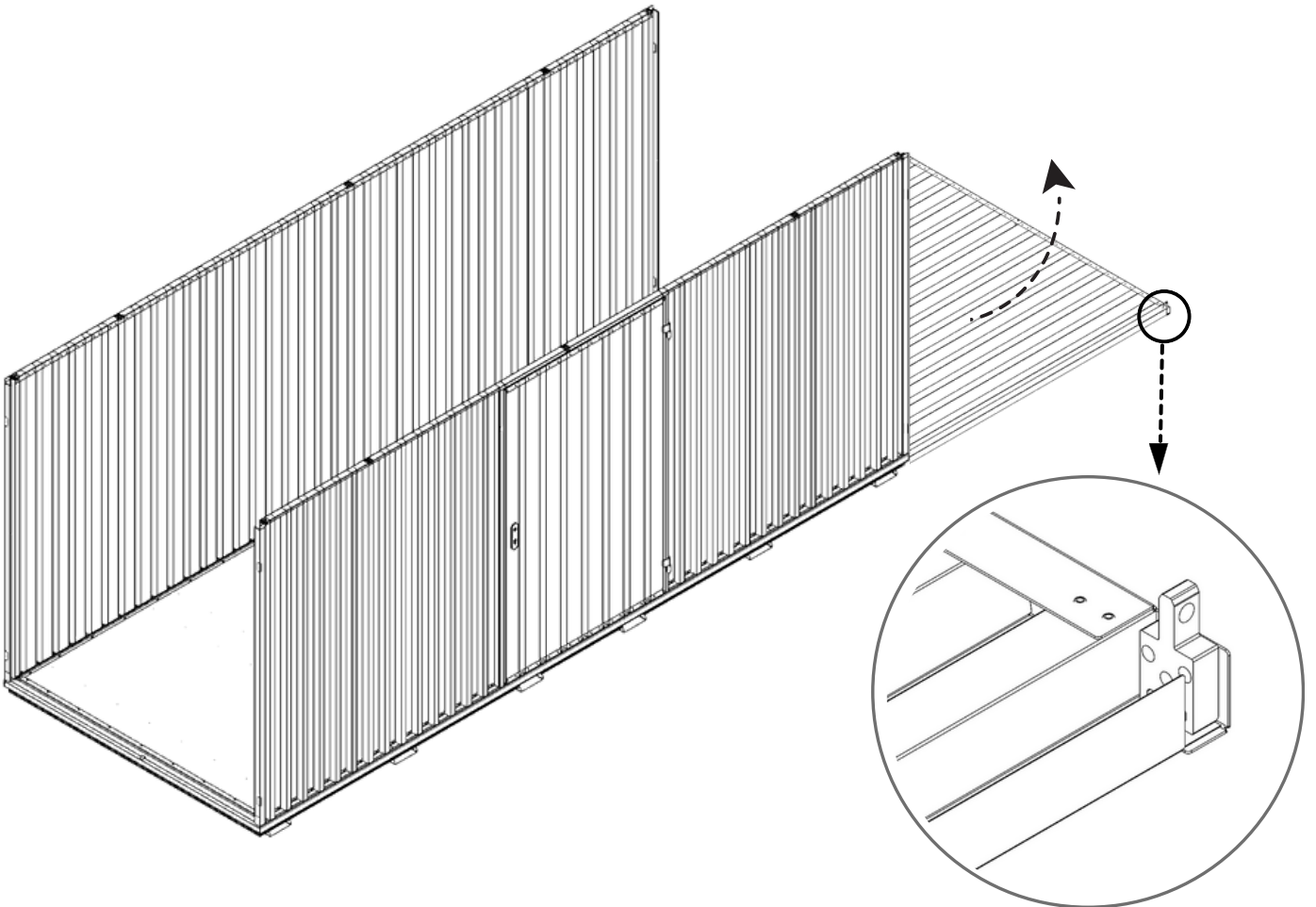
# 1



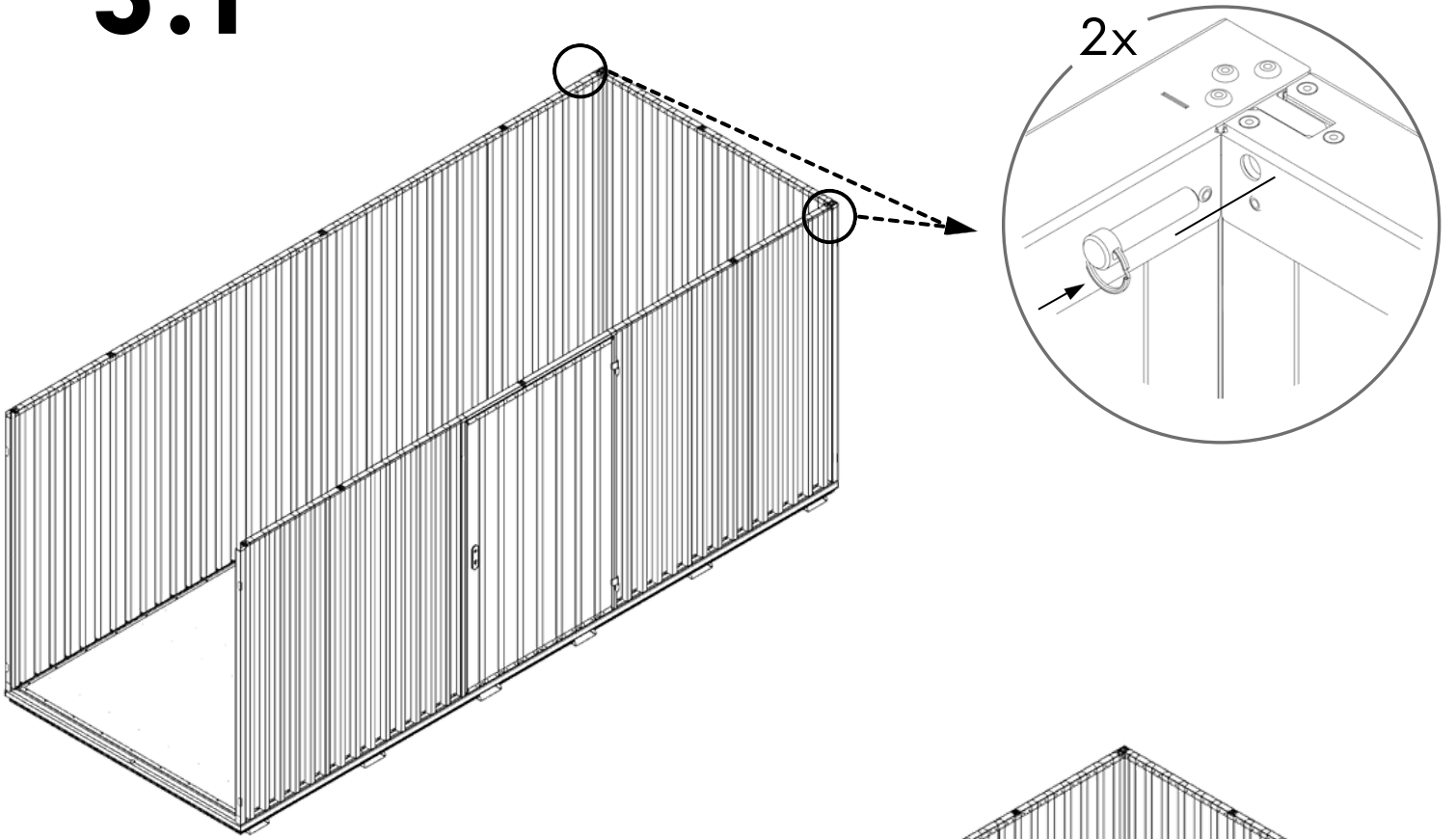
**2**



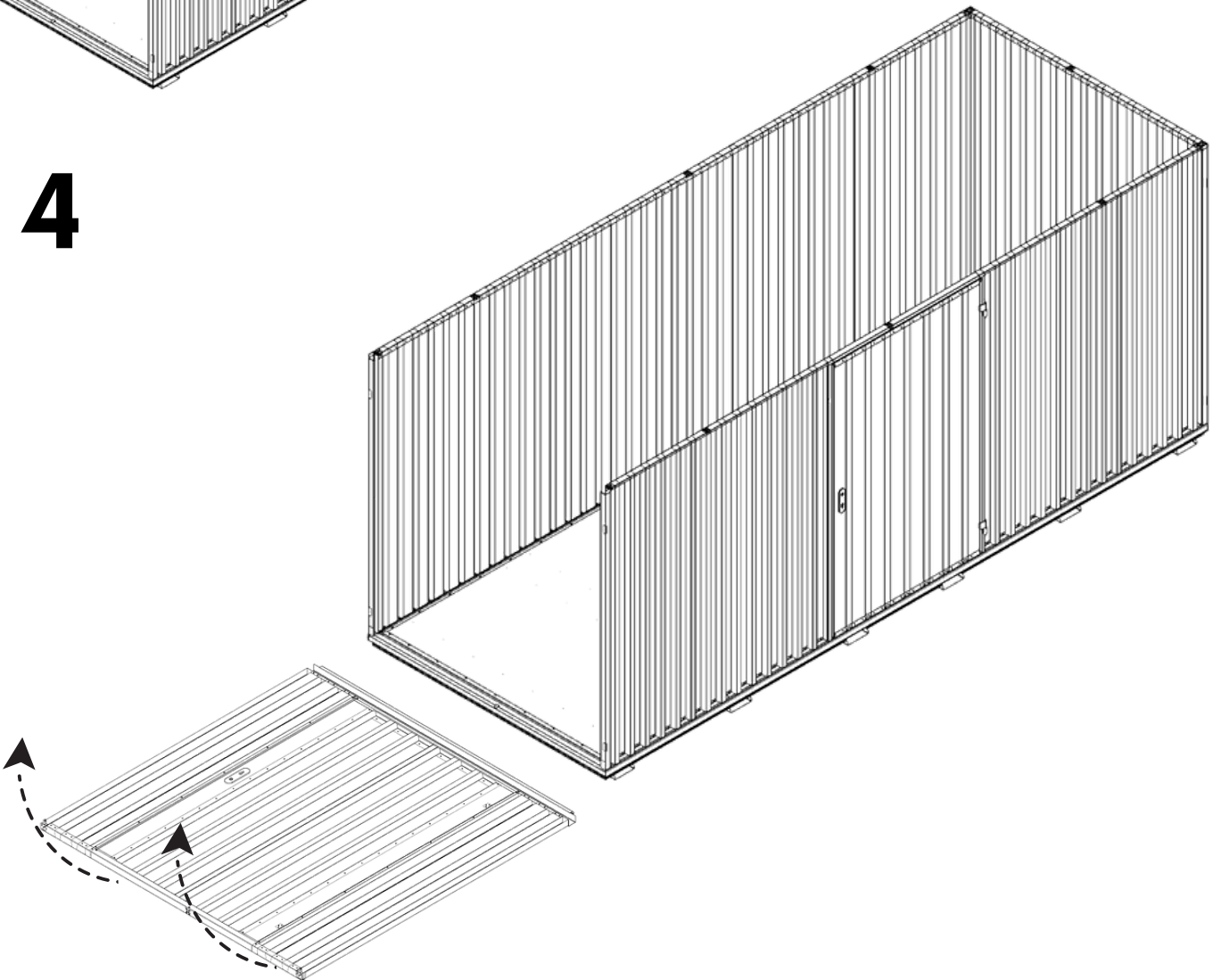
**3**



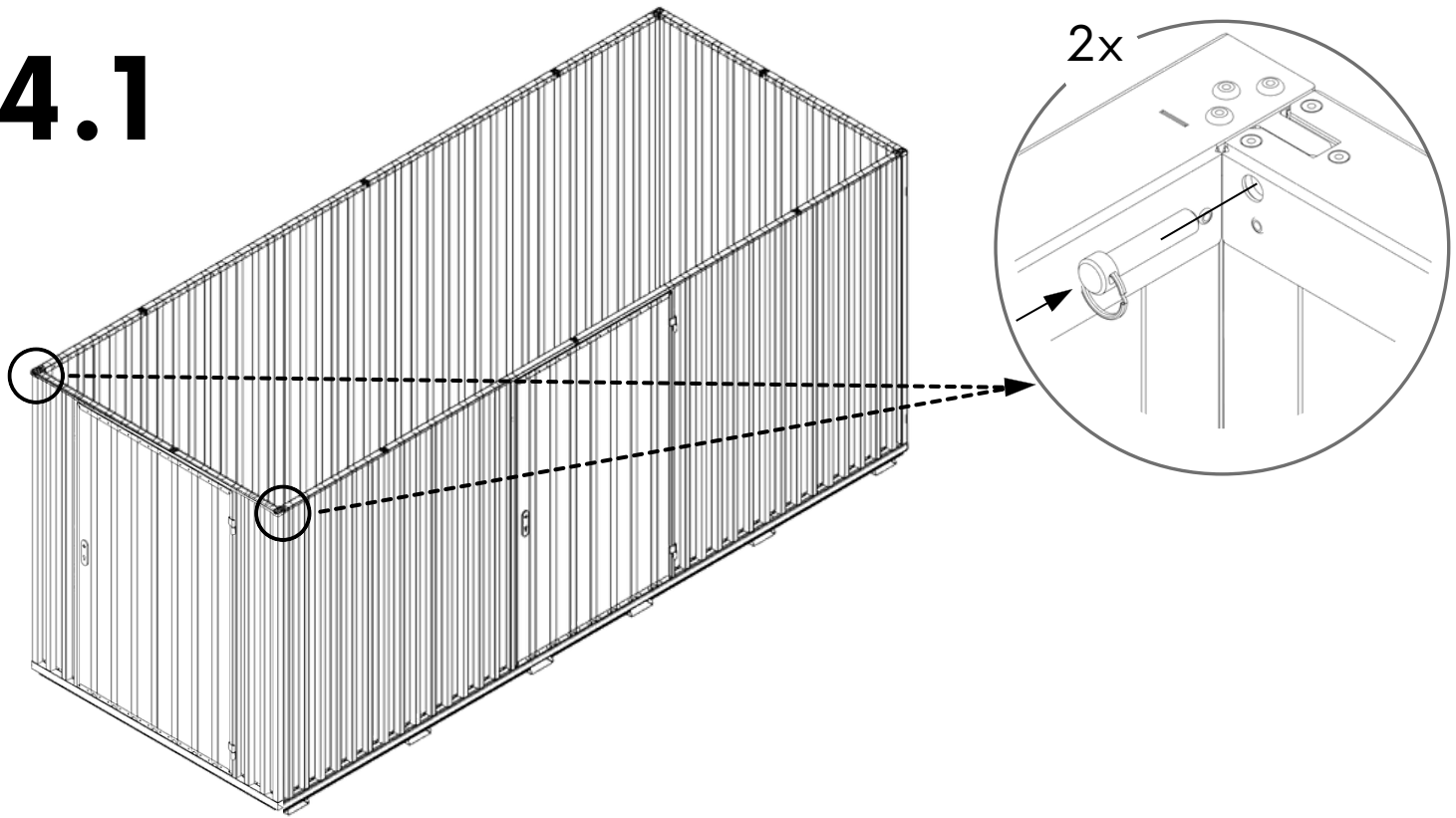
# 3.1












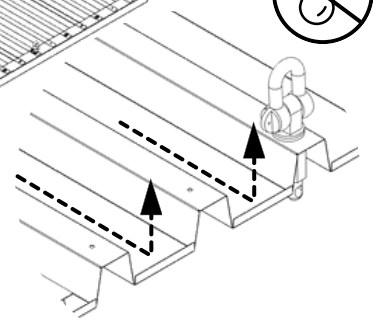
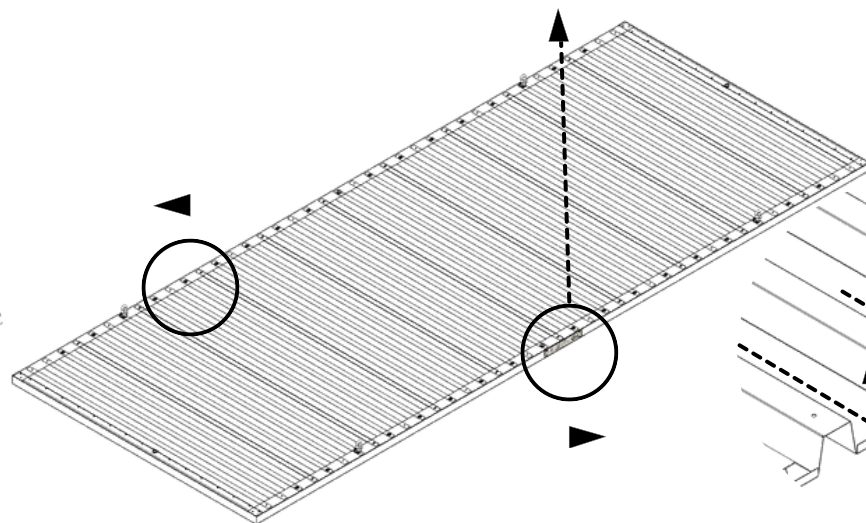
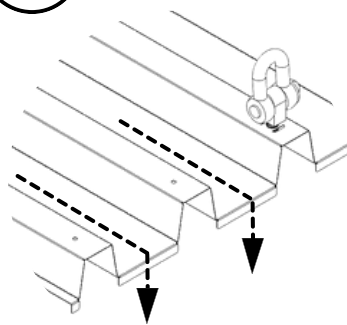
# 4



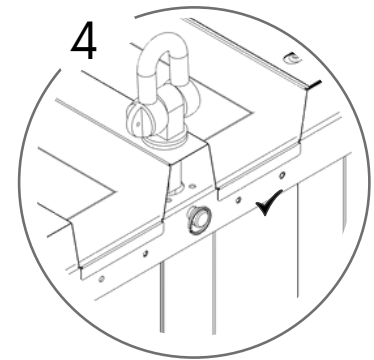
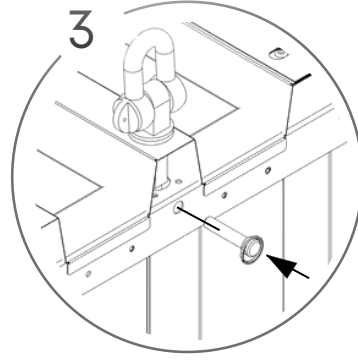
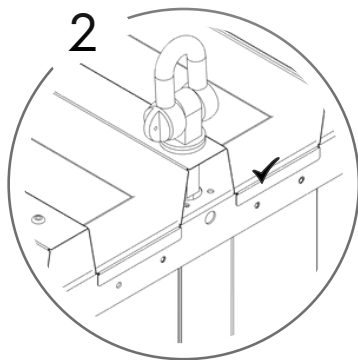
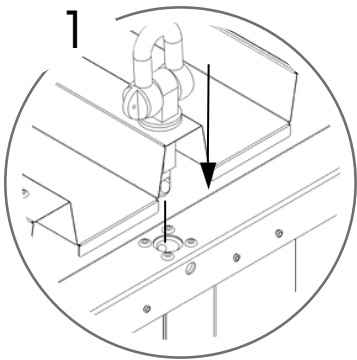
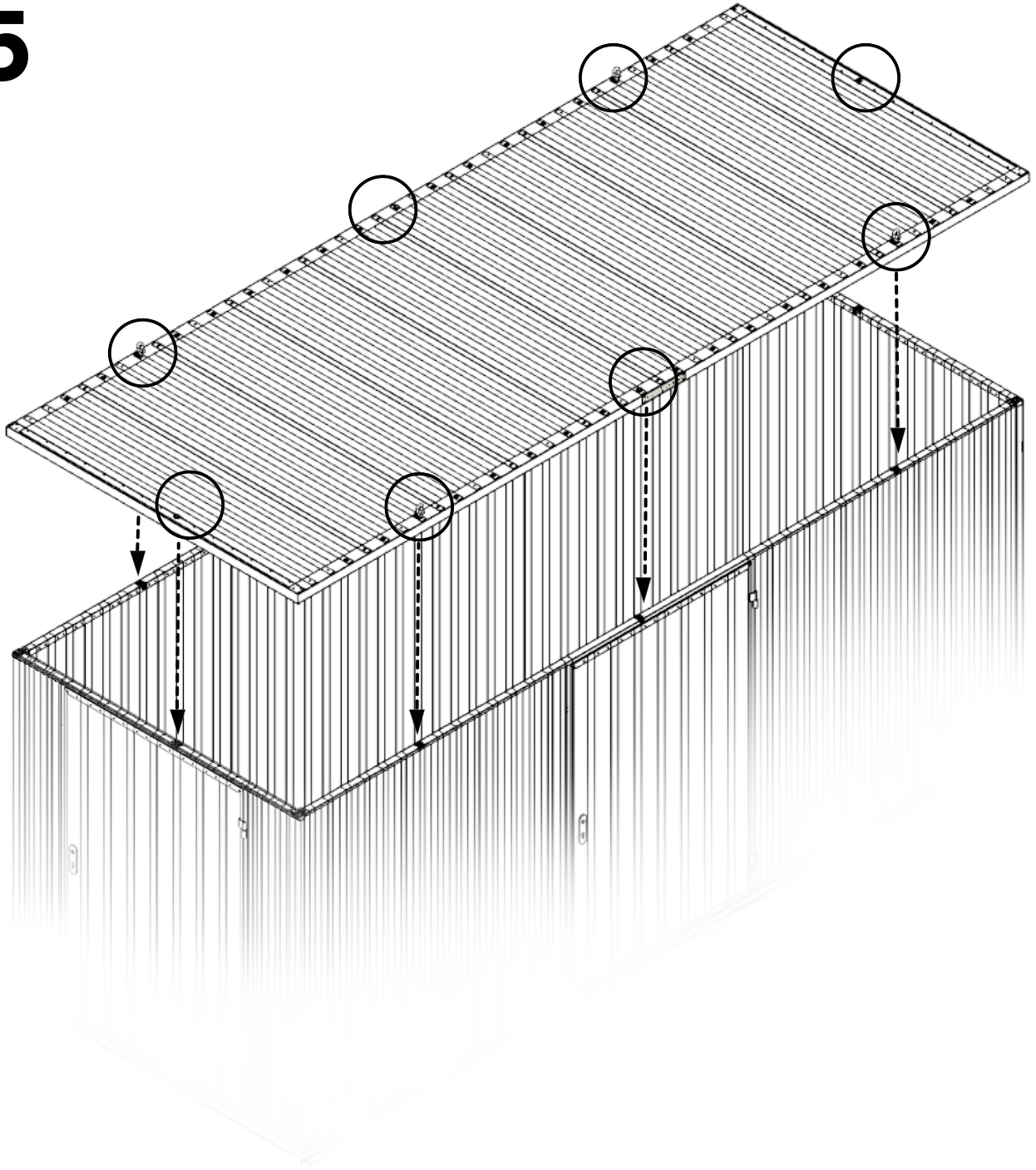
# 4.1



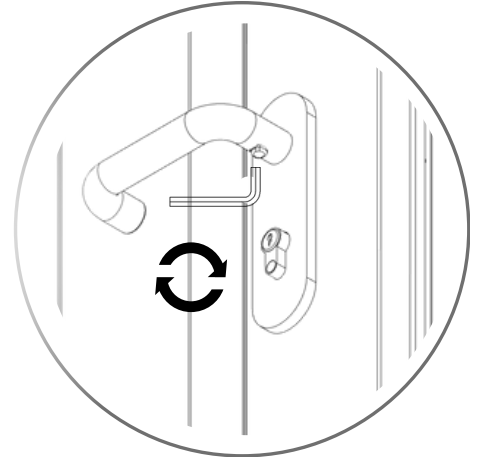
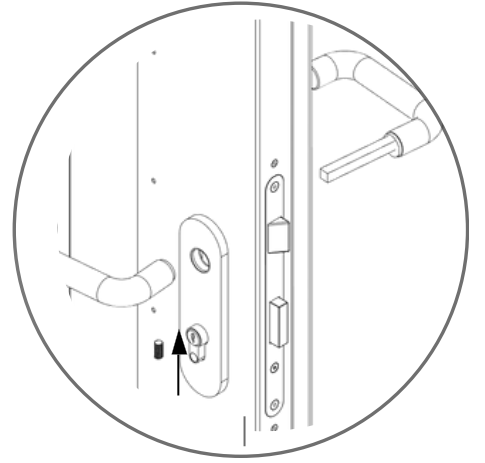
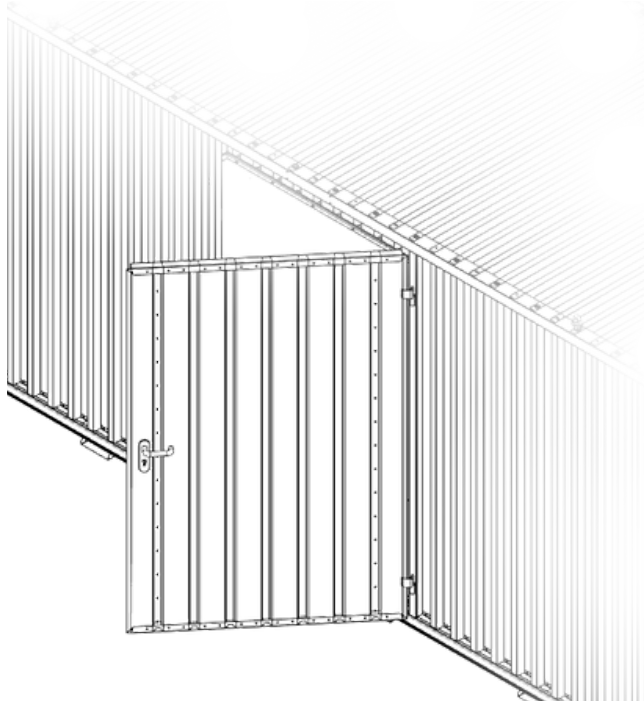
 336 KG	 3 TON	 1640 MM	Model Code: 30.110.440 Production Tracking Code: .....X09.1.30.440    9001 14001 50001	  
---	--	--	--	---



# 5



6



7

