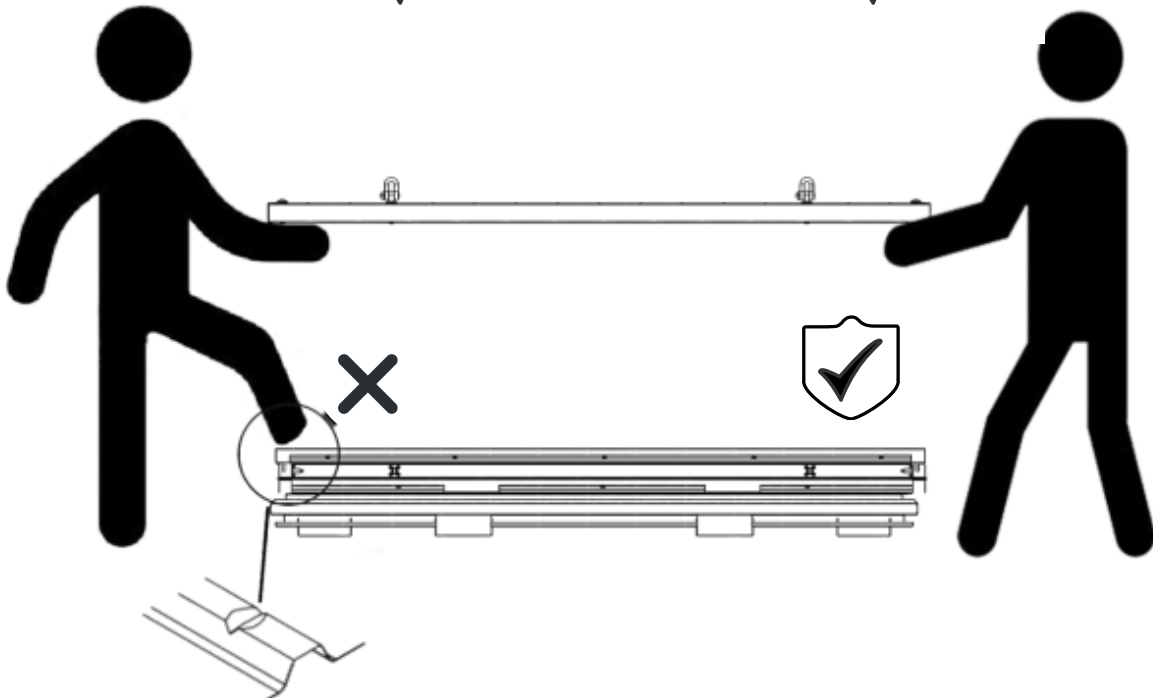
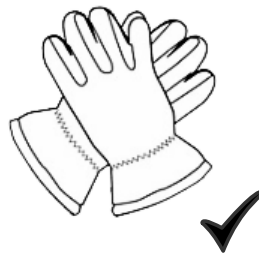
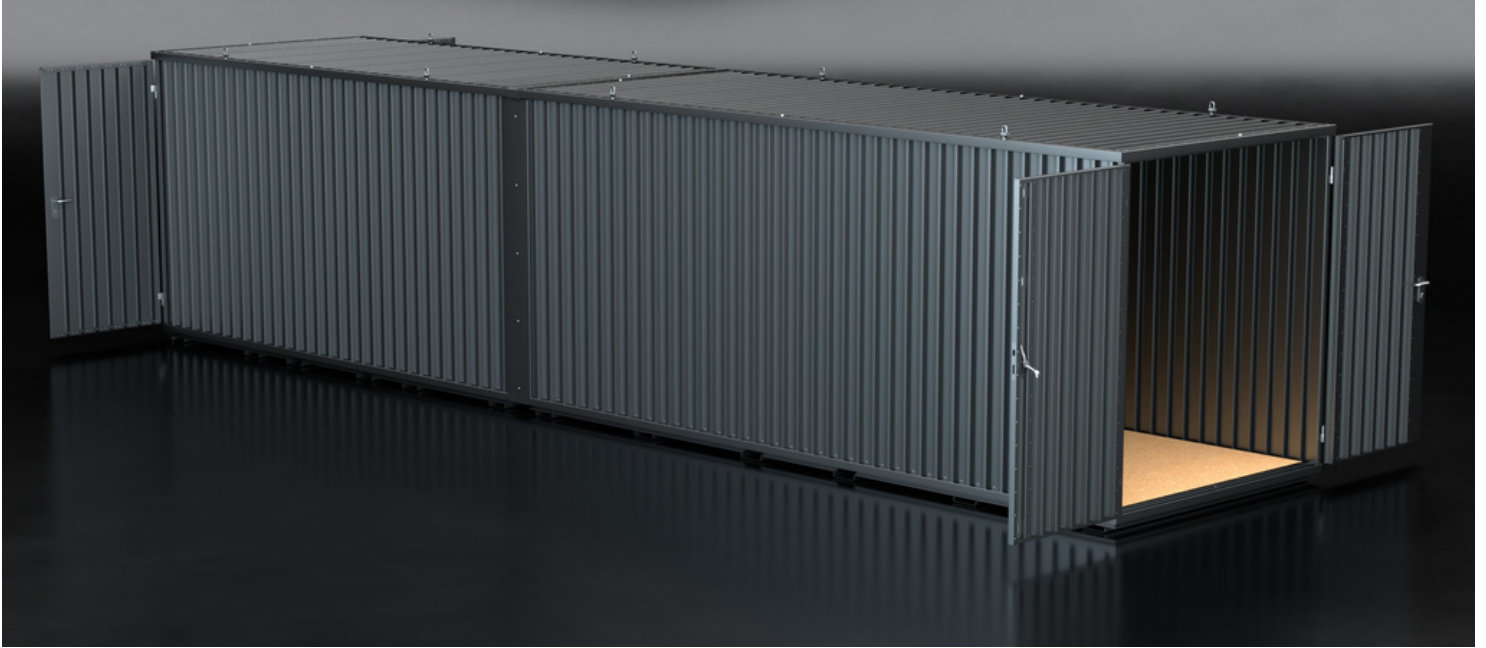


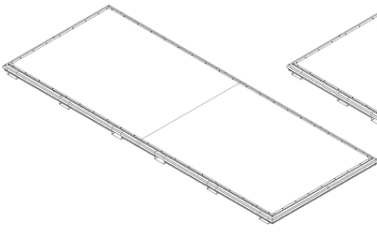
PRODUCT CODE:5040.110.330.331

prefabase
Quick Build Solutions

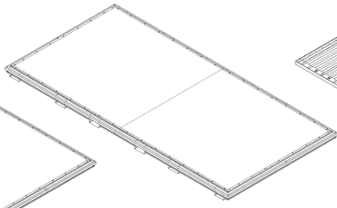
Instructions and User Guide



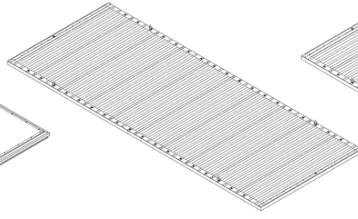
50.0110
1x



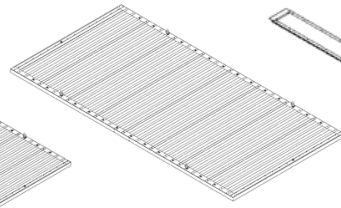
40.0110
1x



50.0510
1x



40.0510
1x



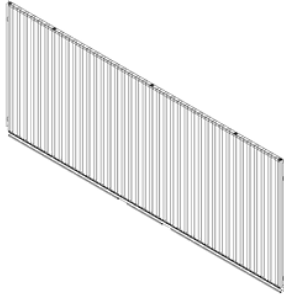
306.0110
1x



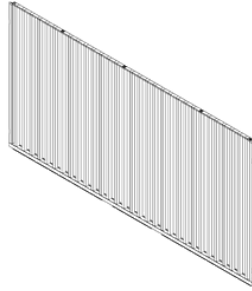
306.0510
1x



50.0410
2x



40.0410
2x



0330
2x



306.40.05
2x



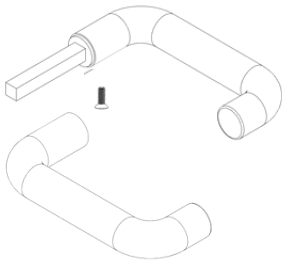
306.40.04
2x



24x



2x



10x



10x



10x



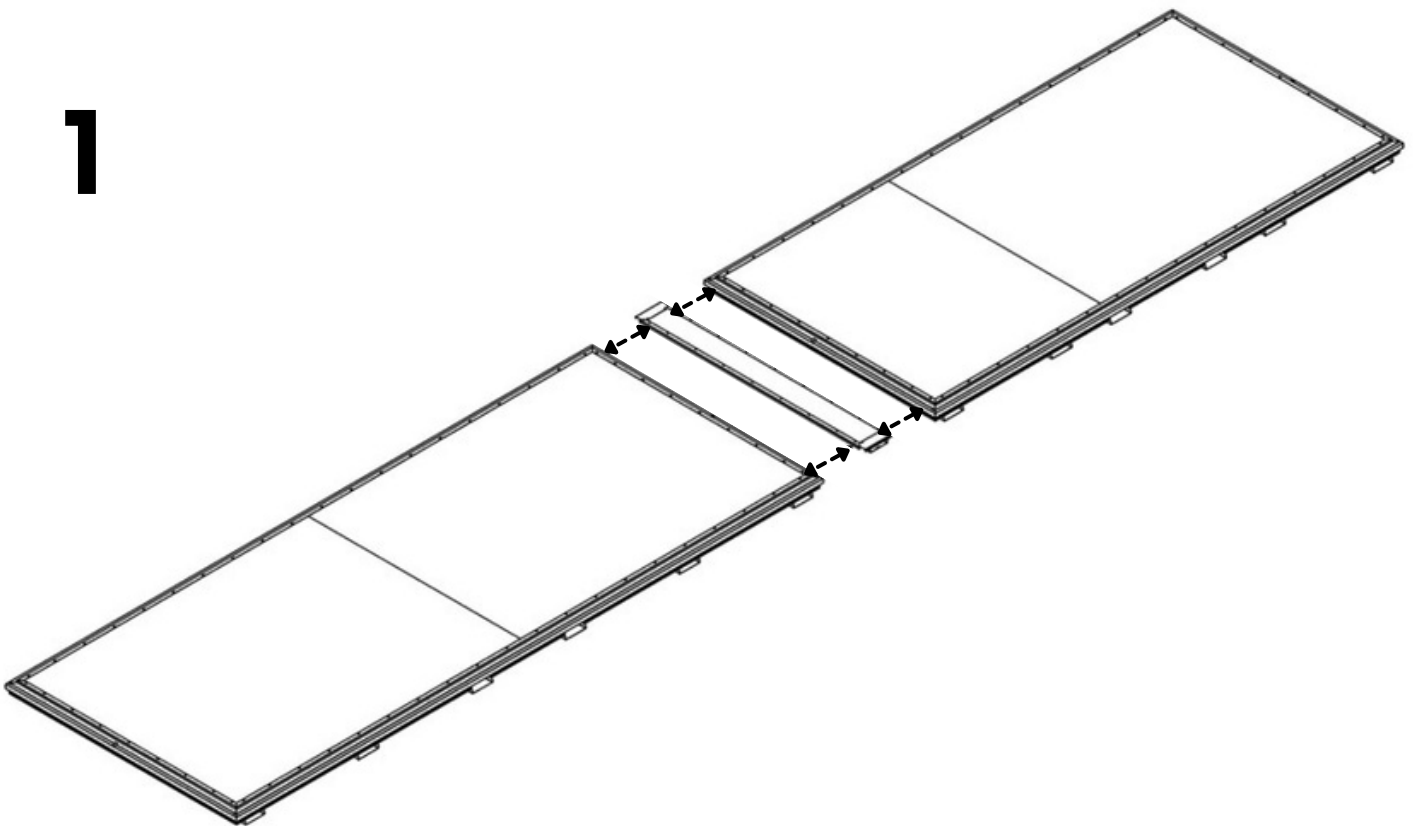
1x



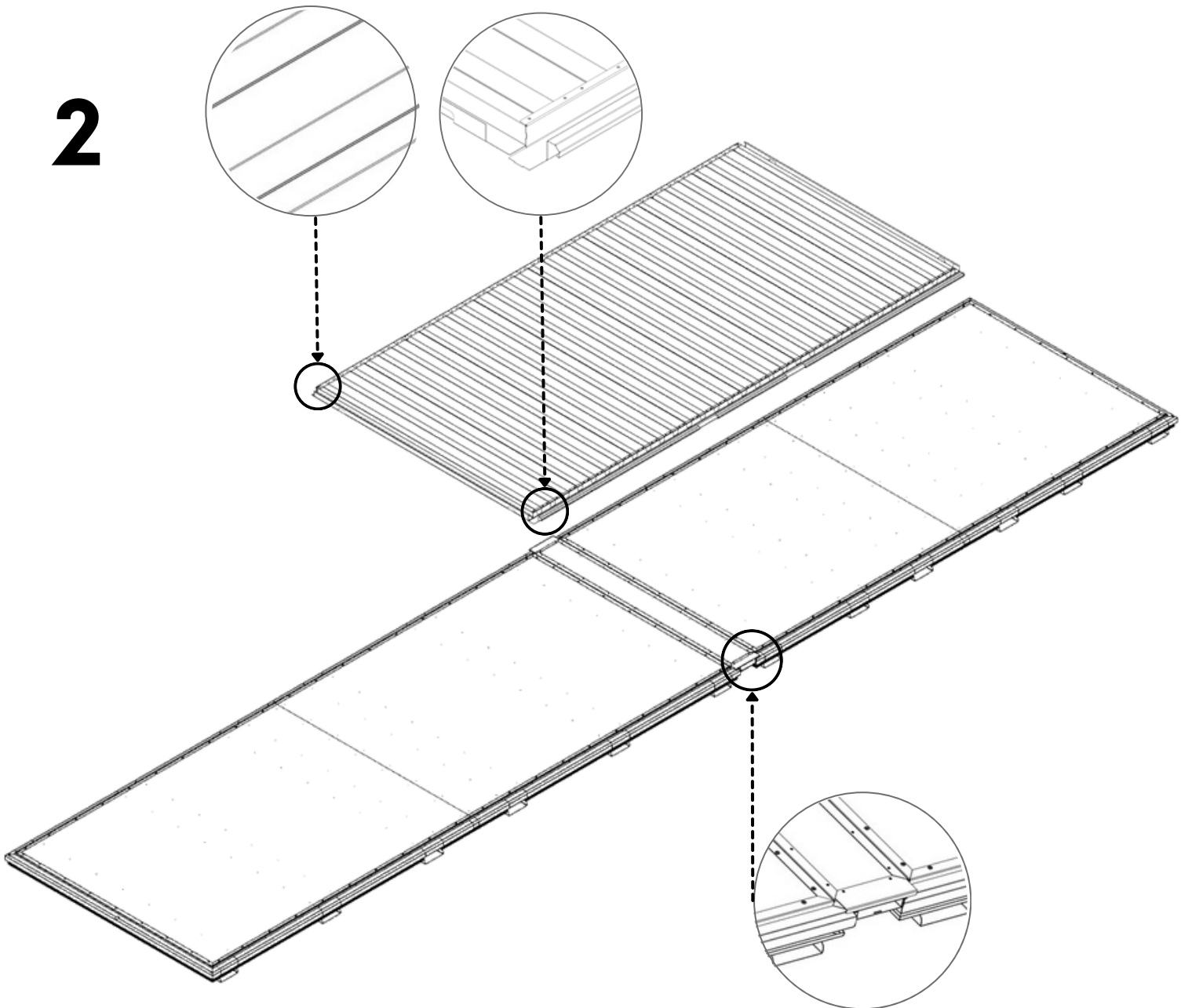
2x

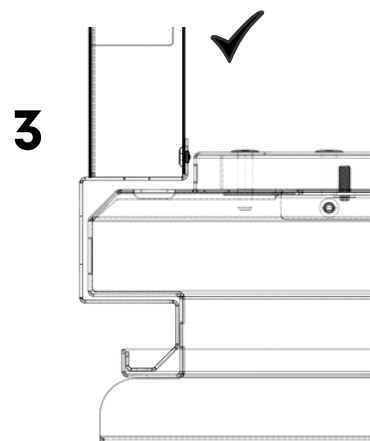
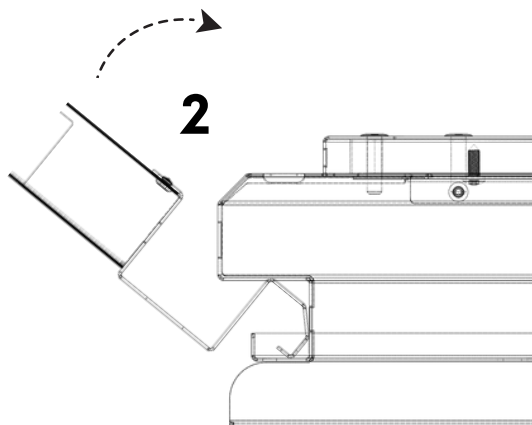
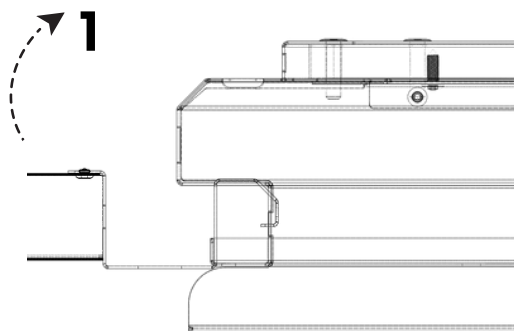


1

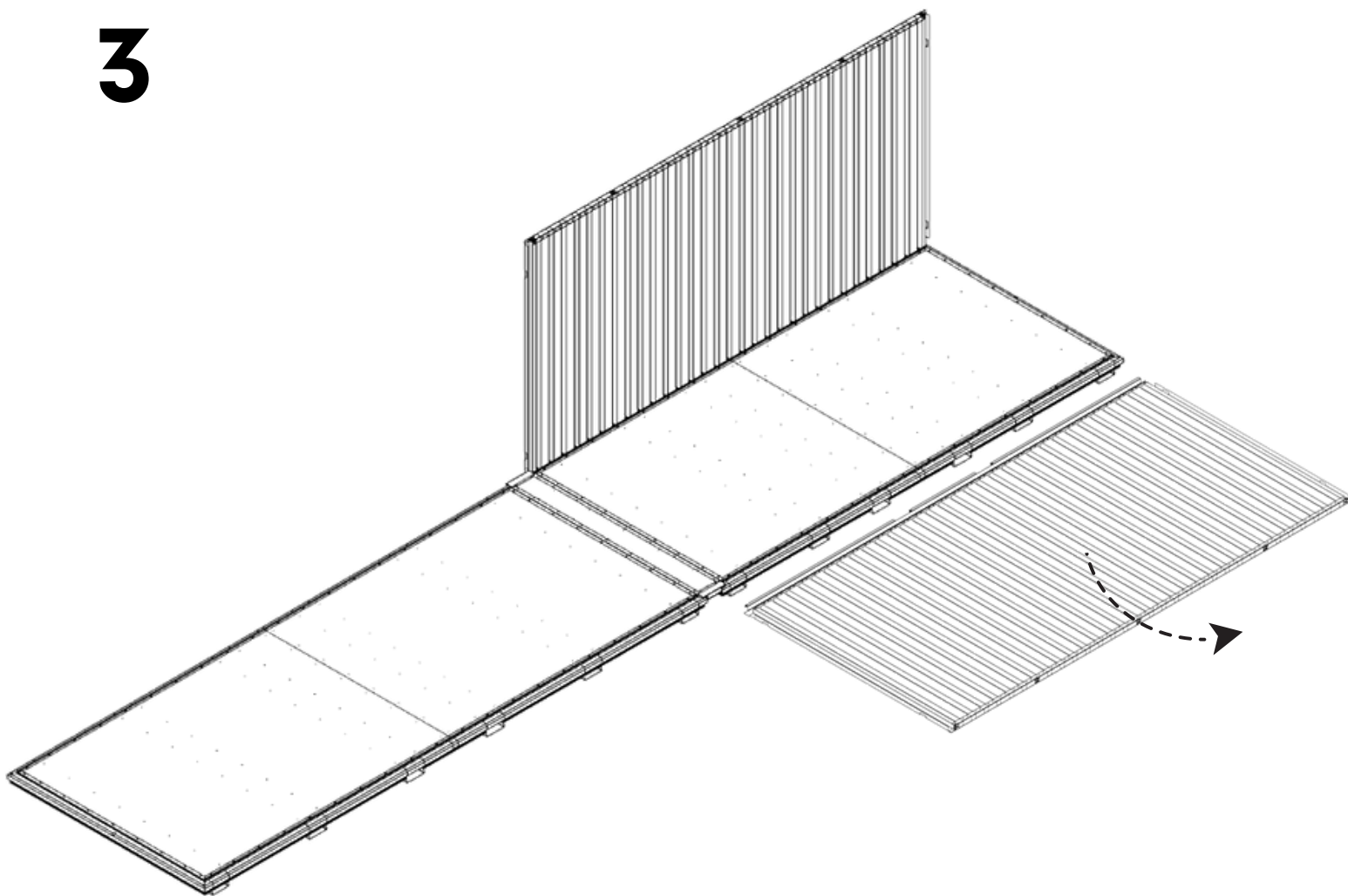


2

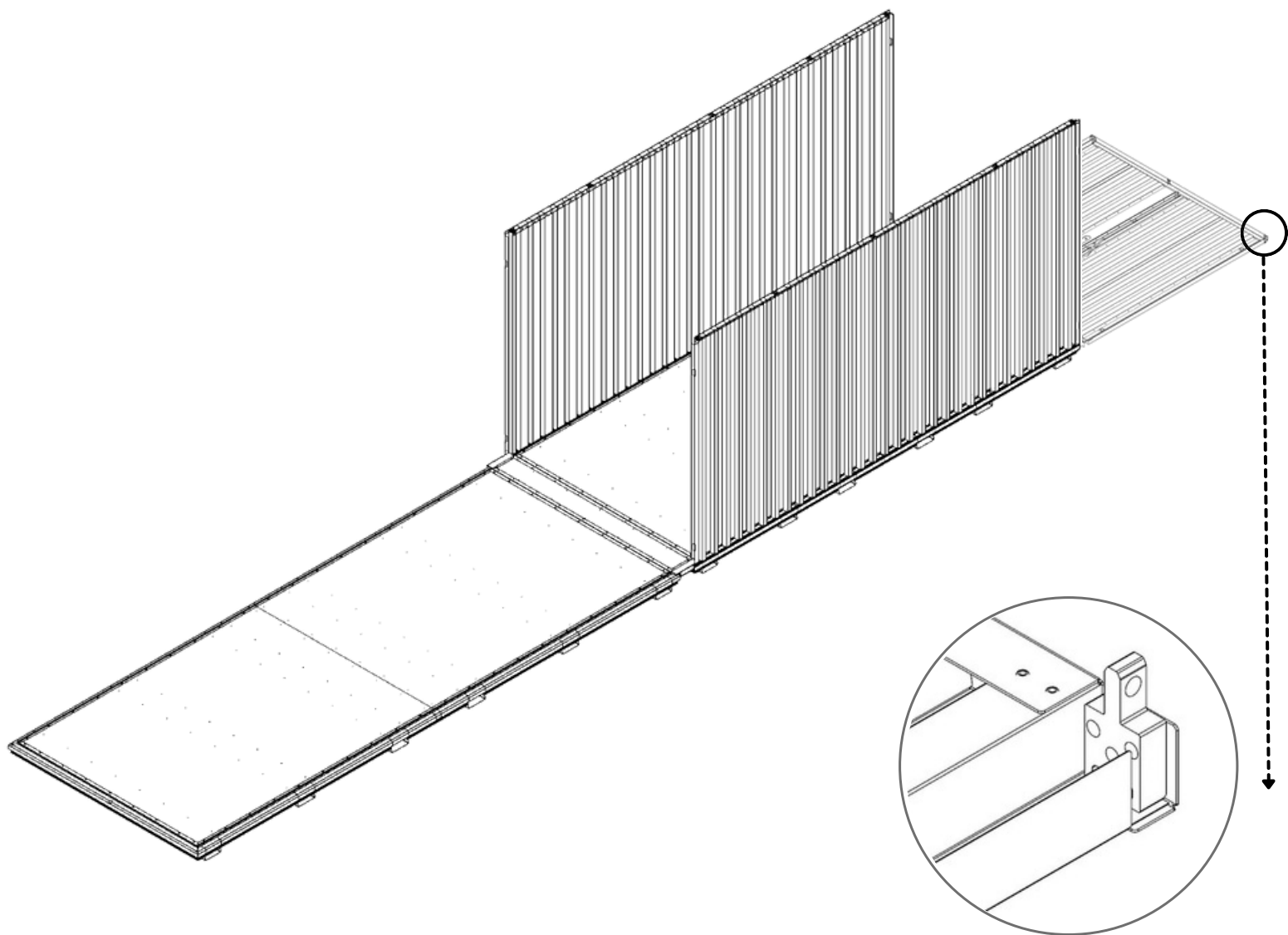




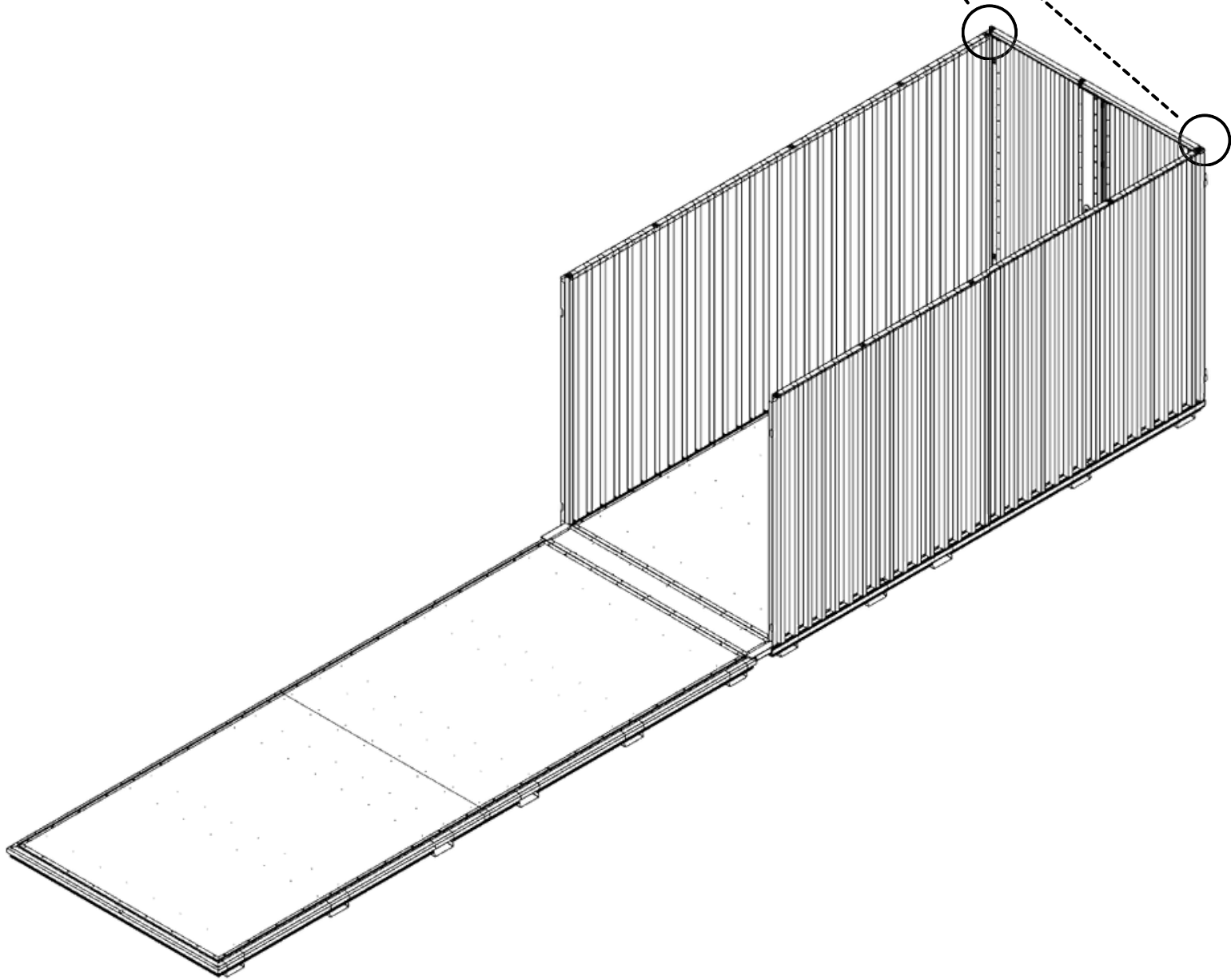
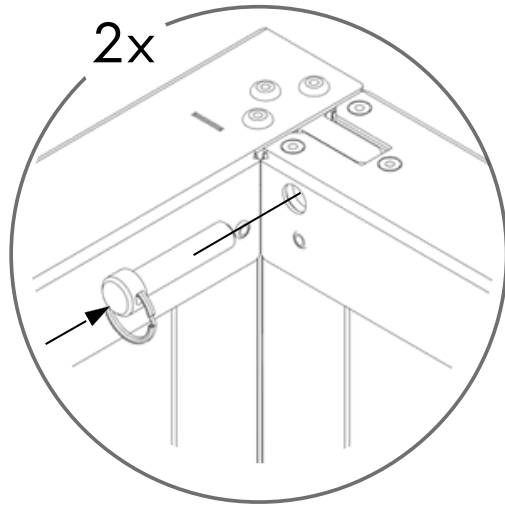
3



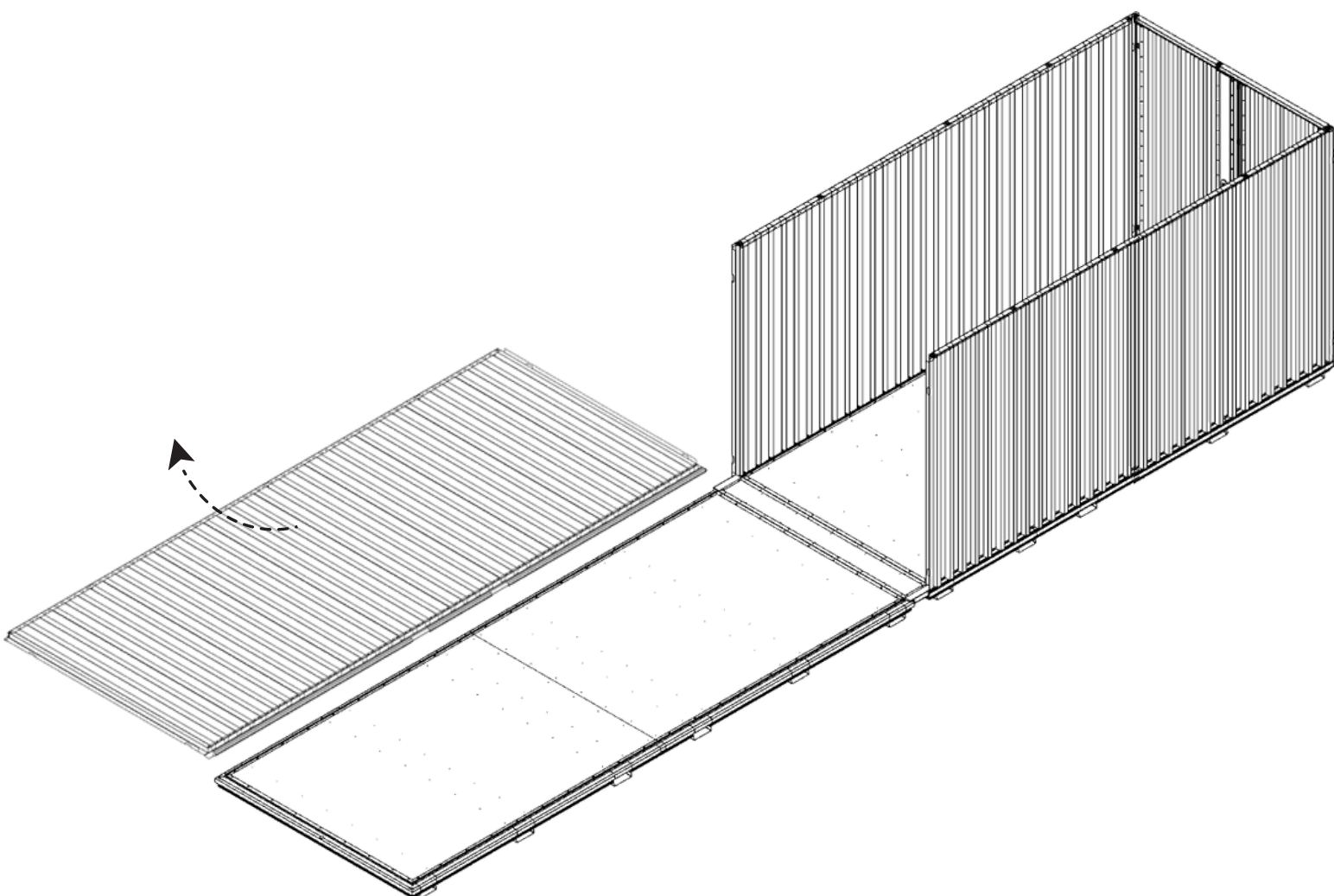
4



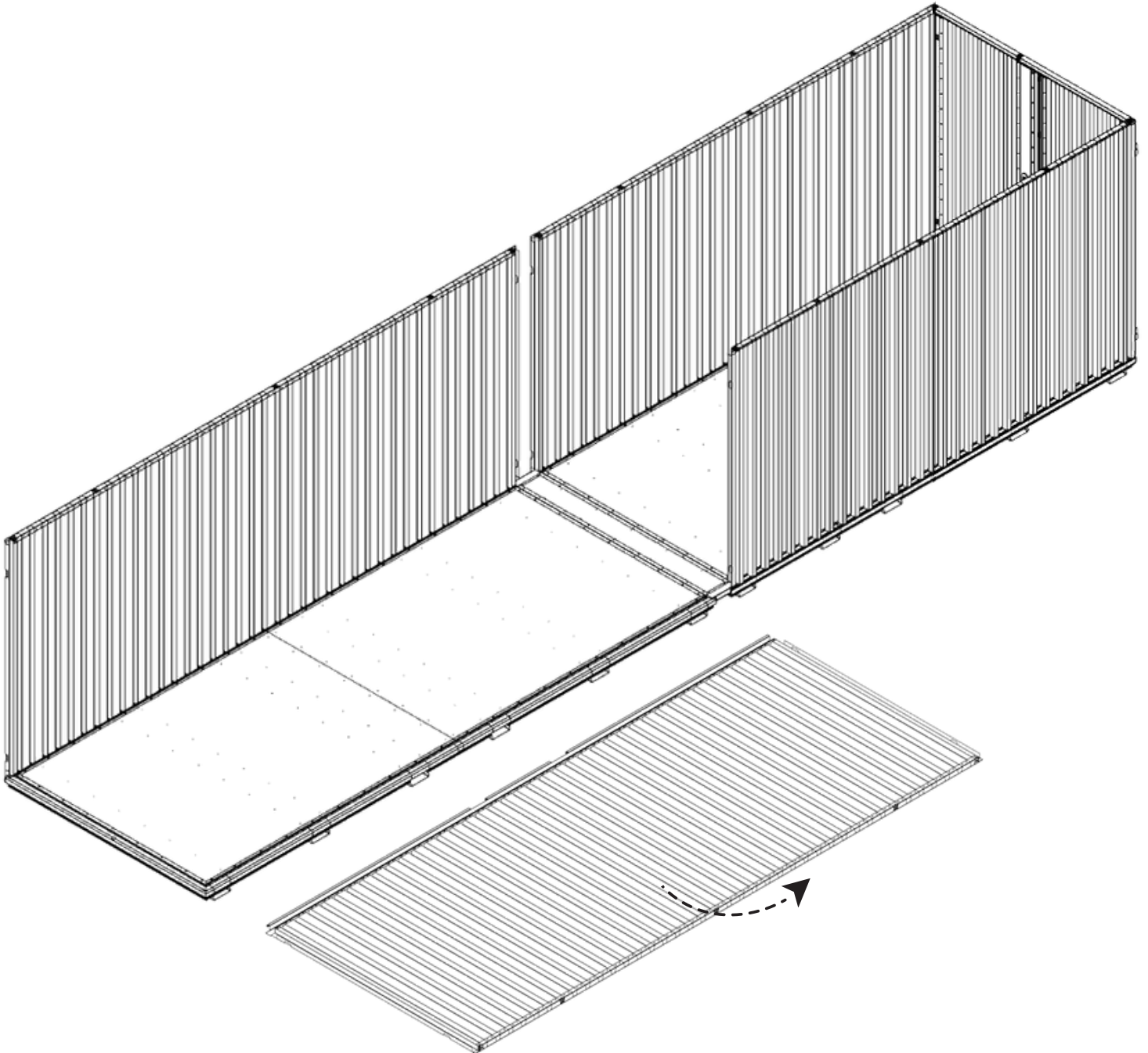
4.1



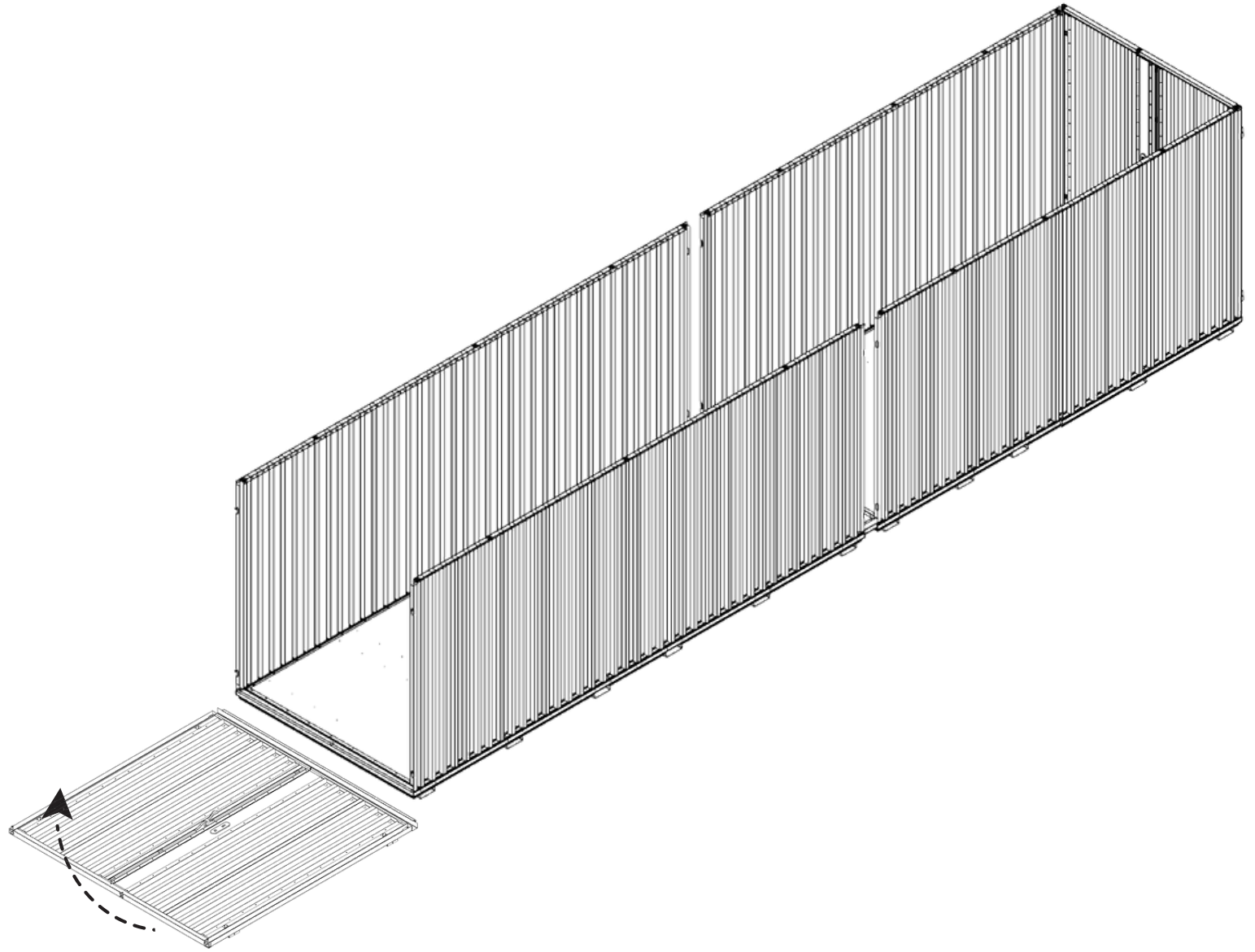
5



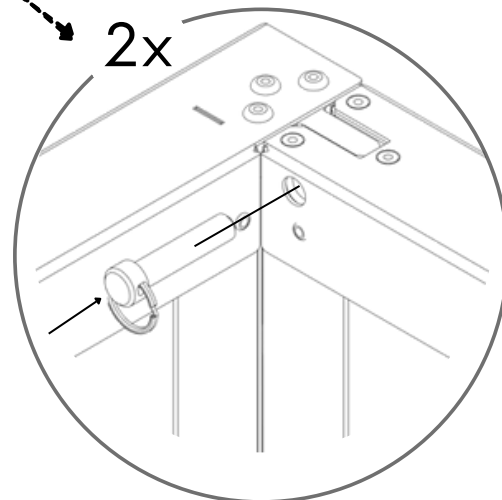
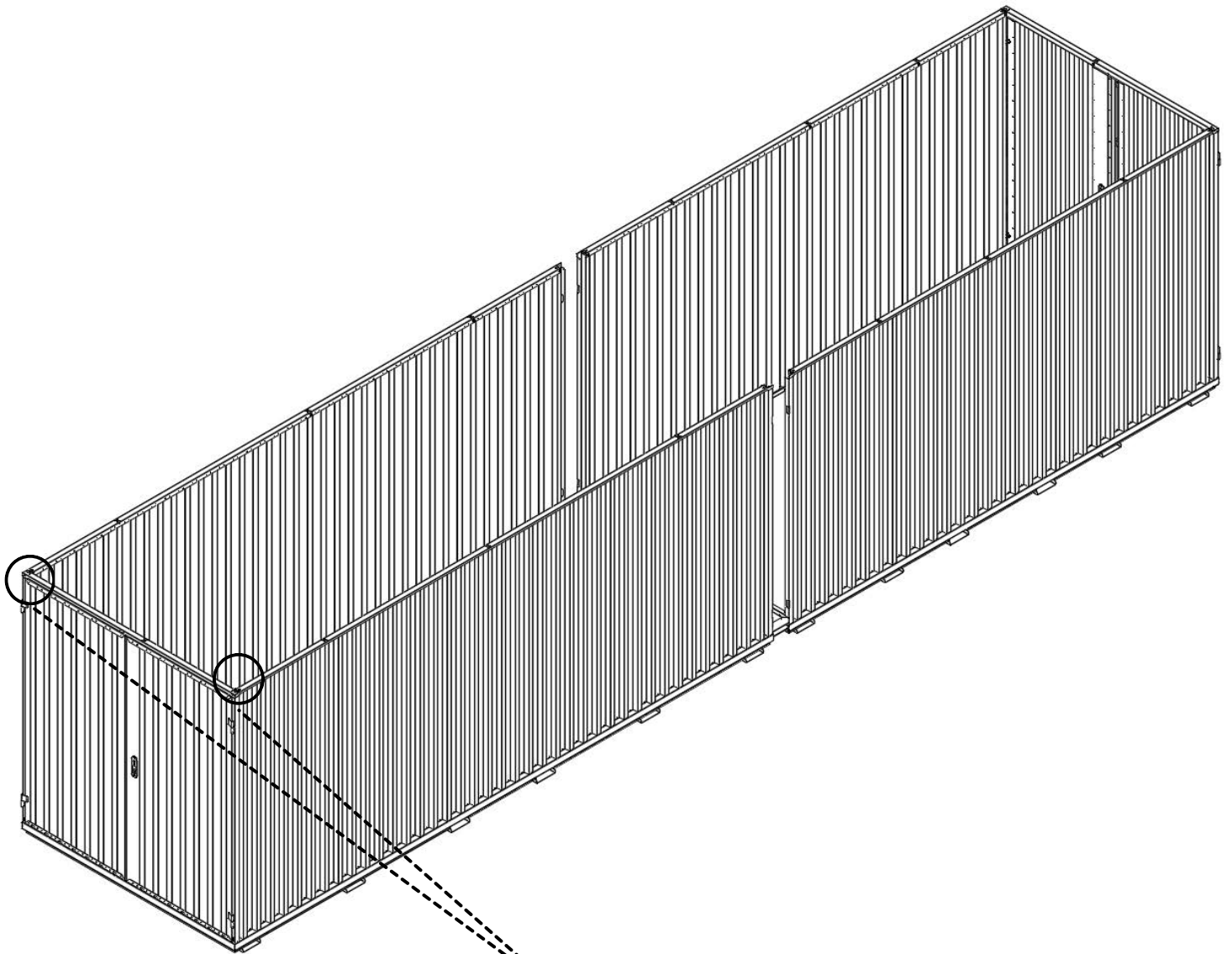
6



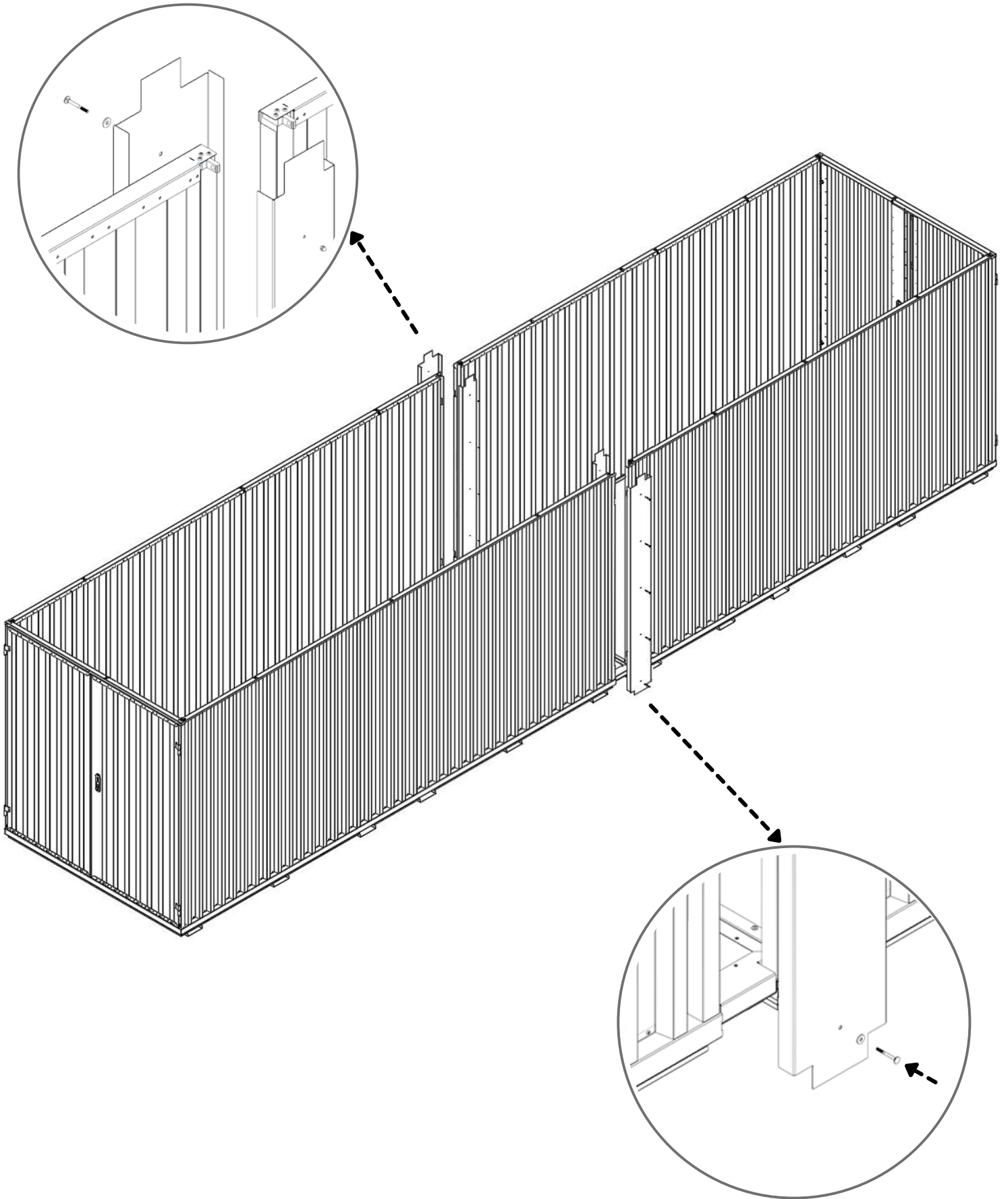
7



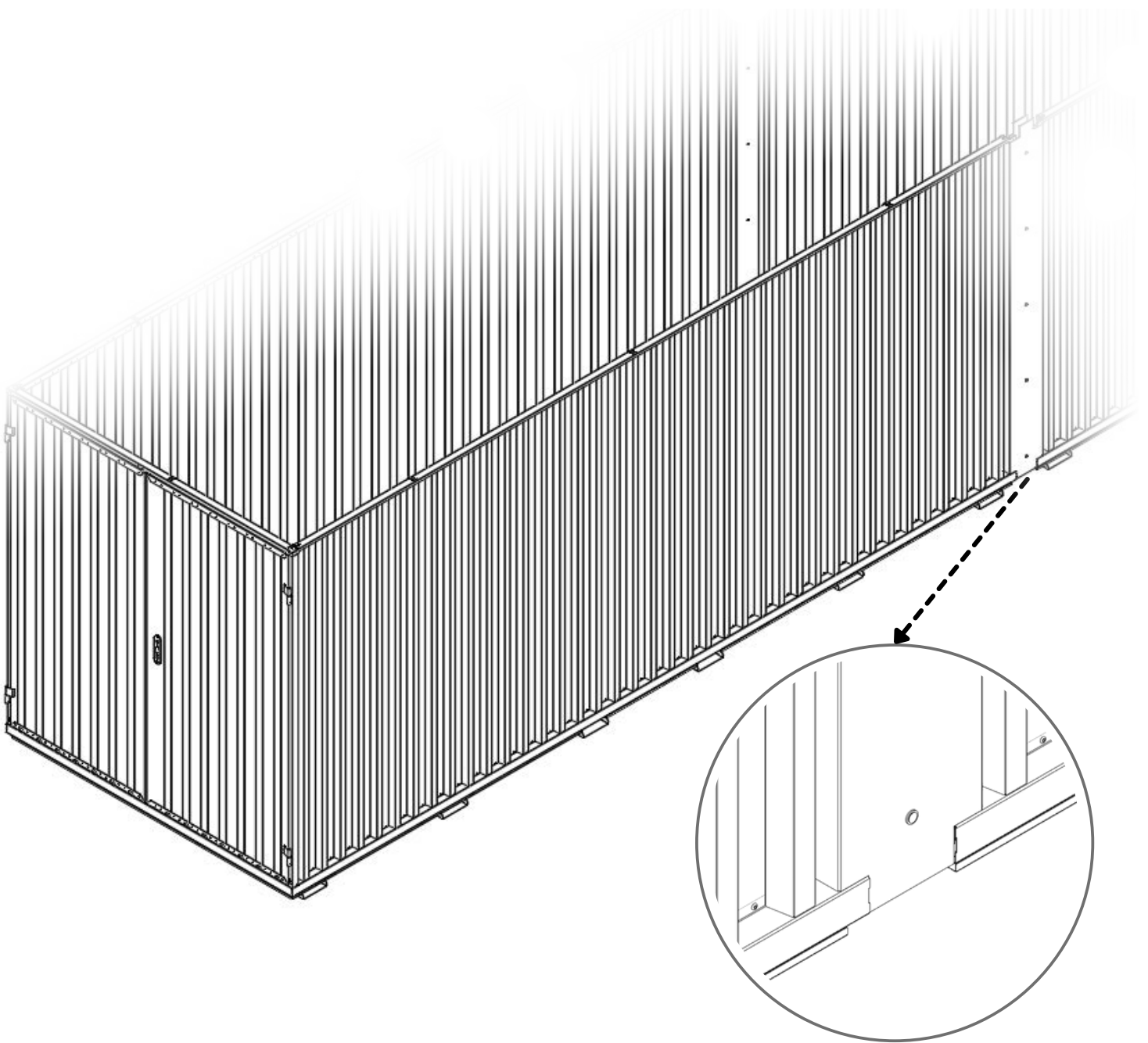
7.1



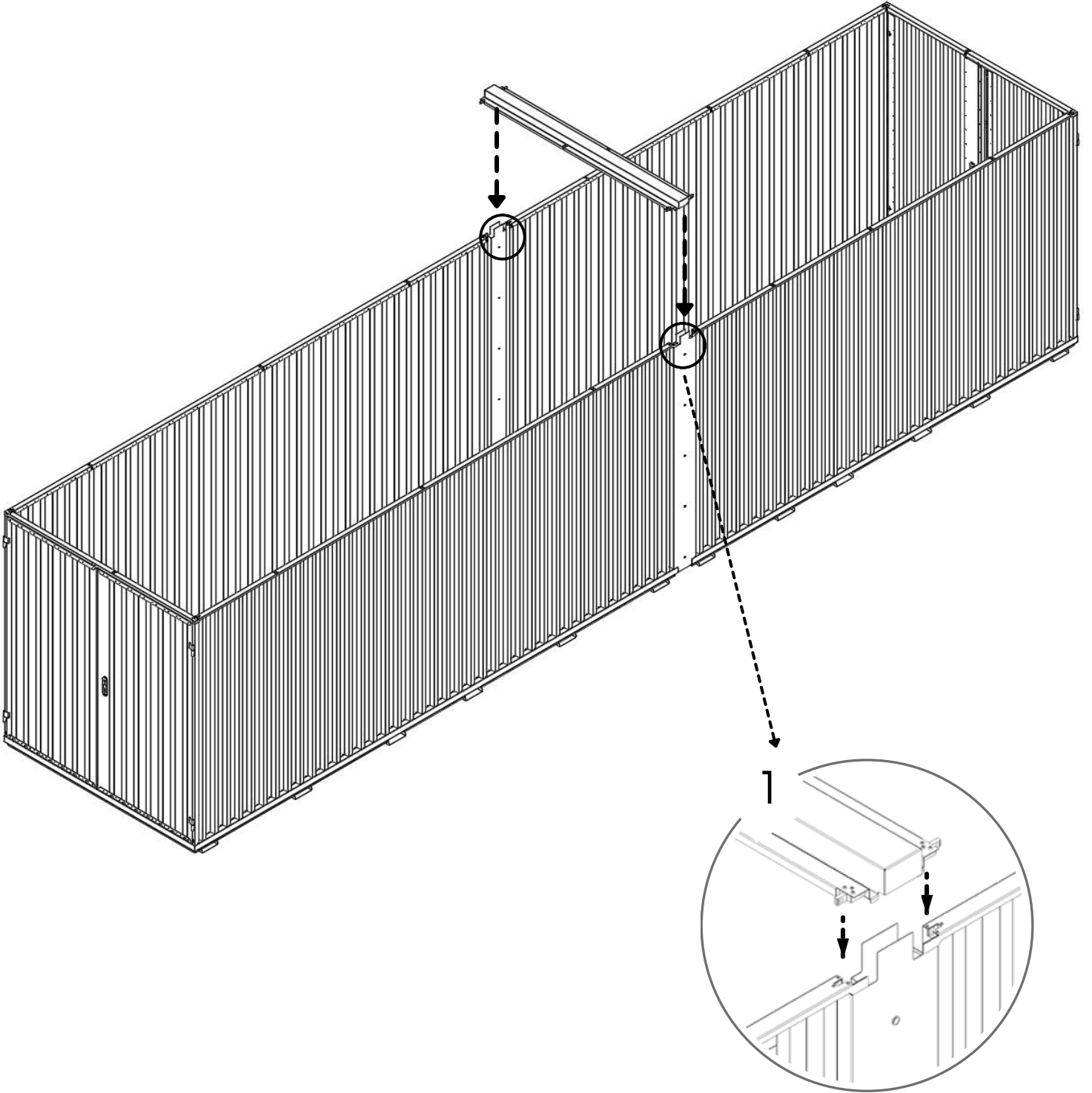
8



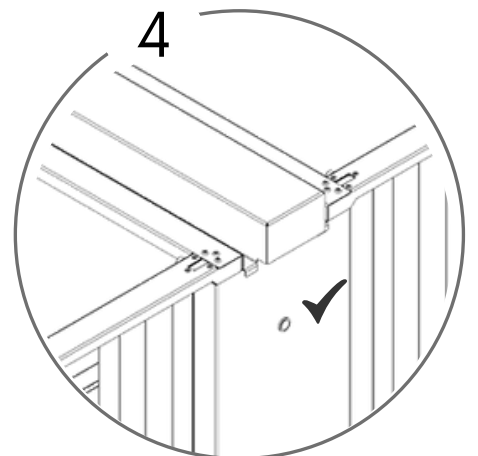
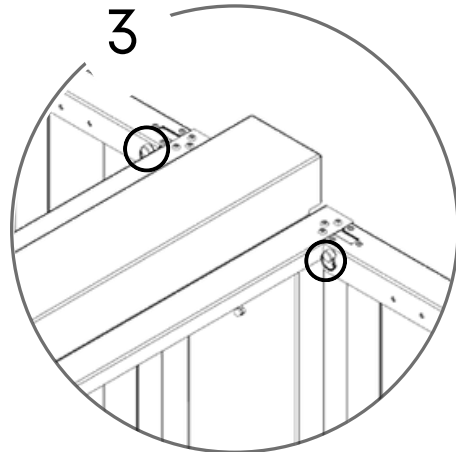
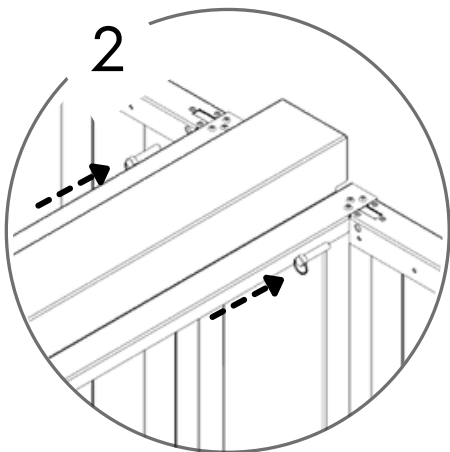
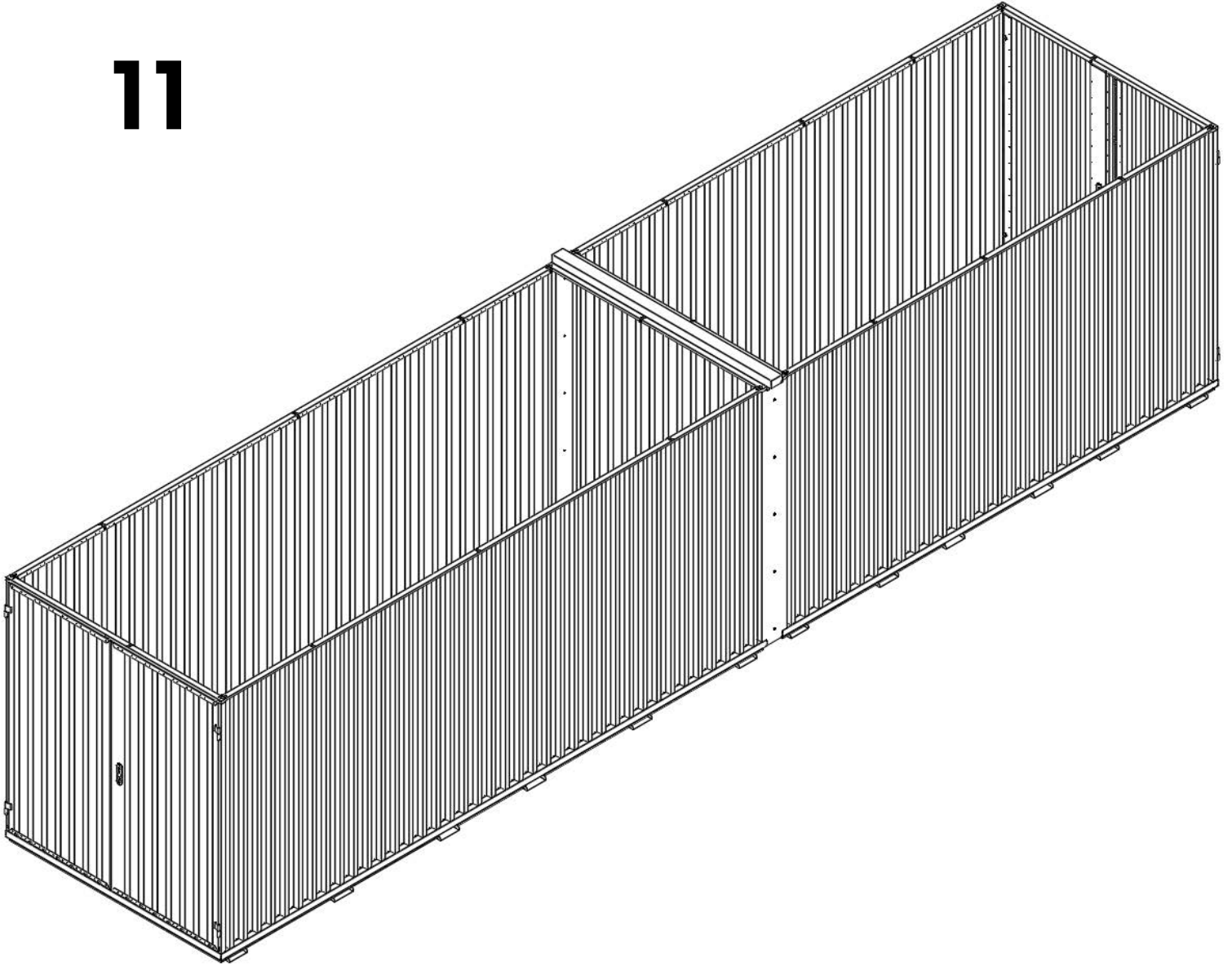
9











10

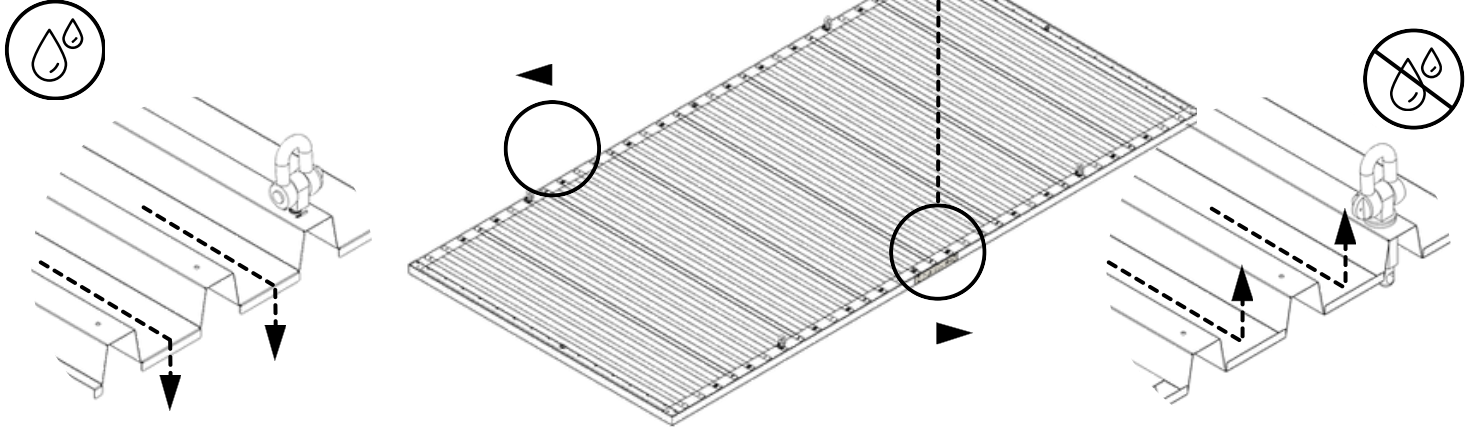


11

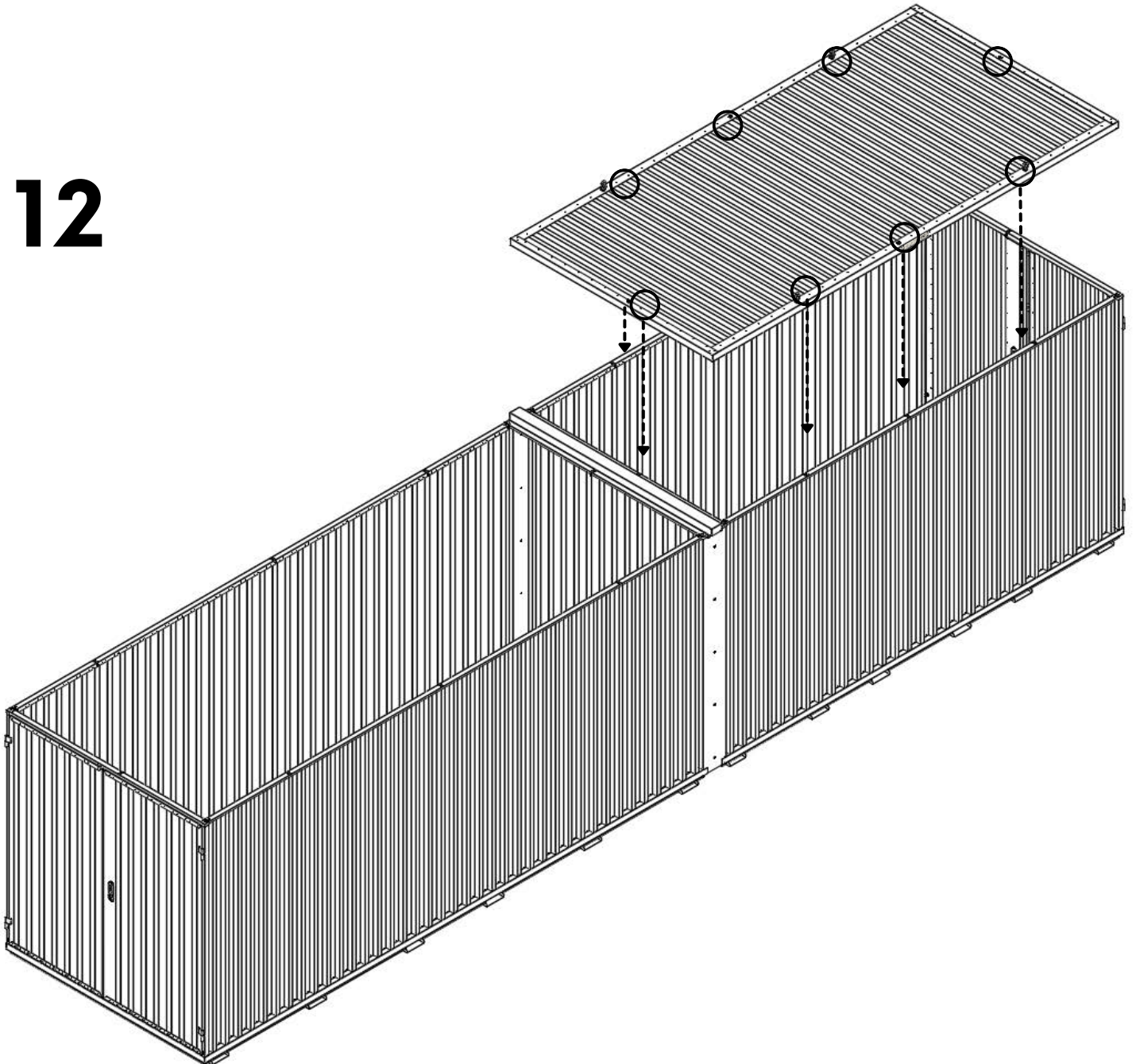




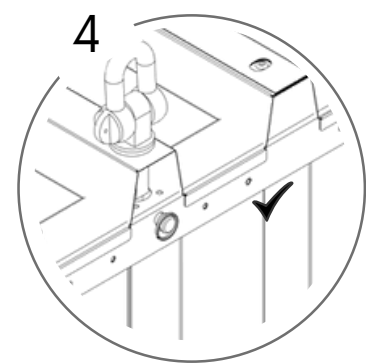
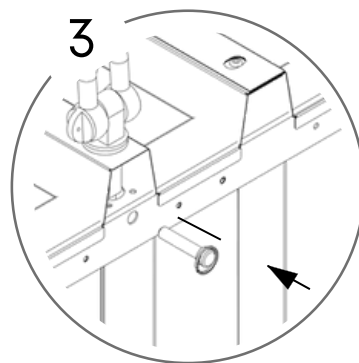
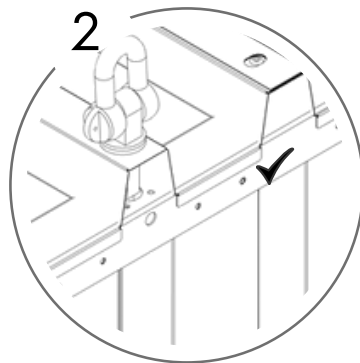
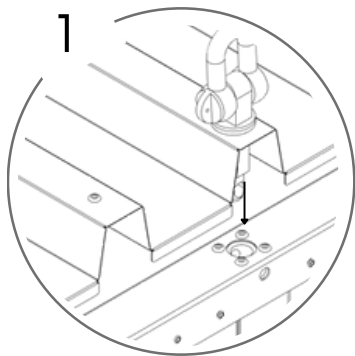
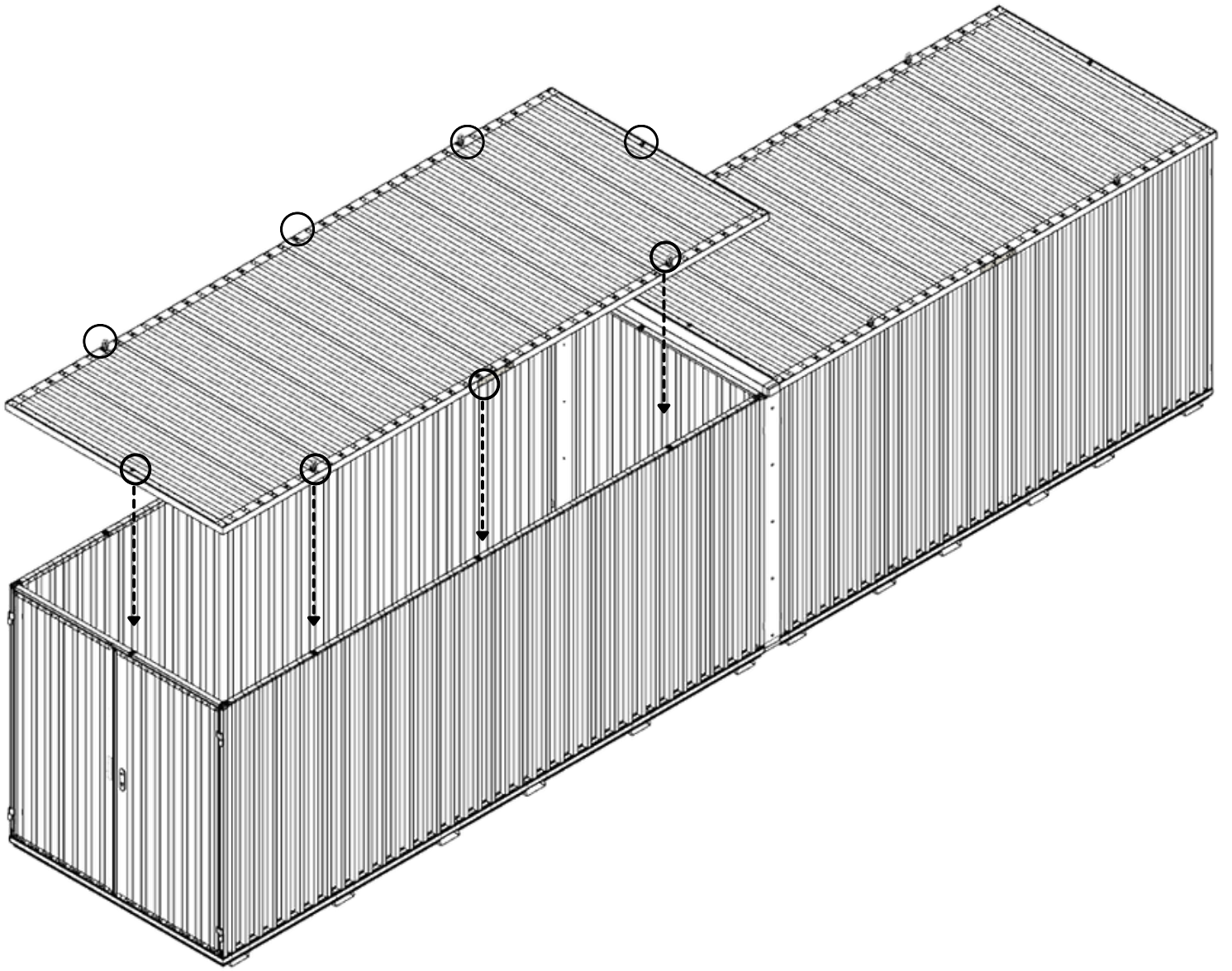
 900 KG	 1640 MM	Model Code: 5040.110.330.331 Production Tracking Code:/X09.1.5040.330.331	 9001	 14001	 50001			
---	--	---	---	--	--	---	---	---



12



13



14

