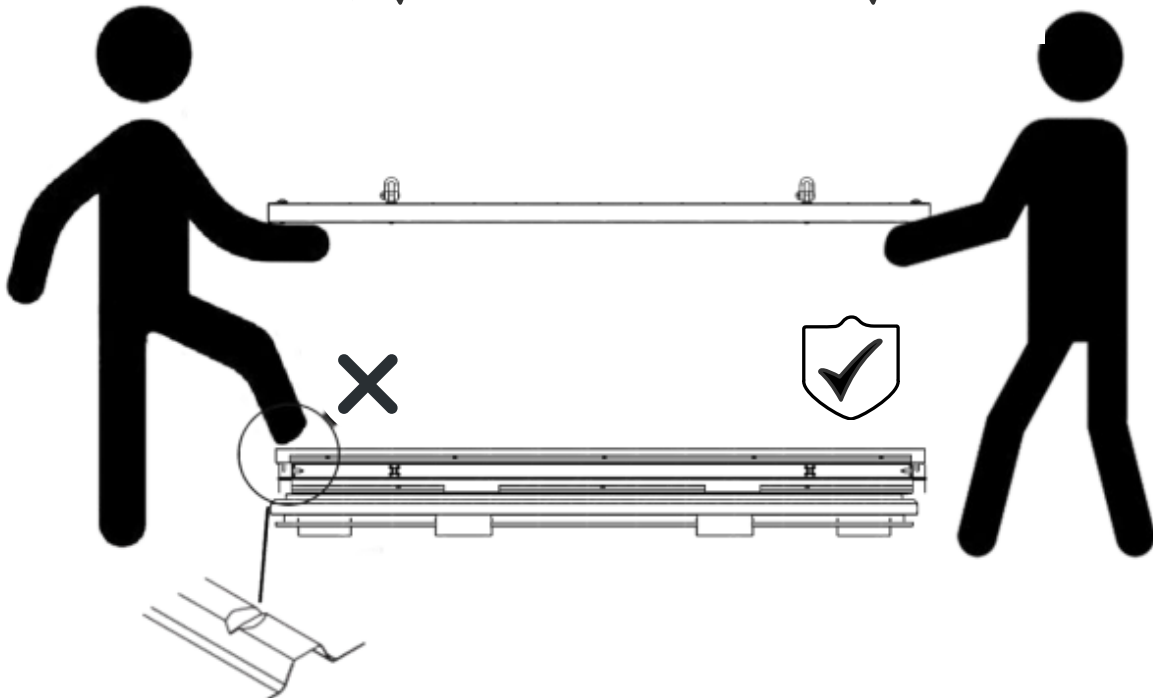
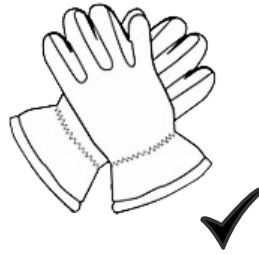


PRODUCT CODE:303.110.420

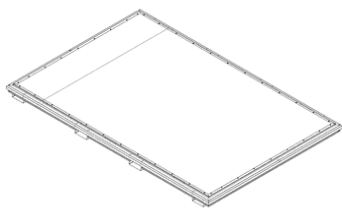
**prefabase**  
Quick Build Solutions

Instructions and User Guide



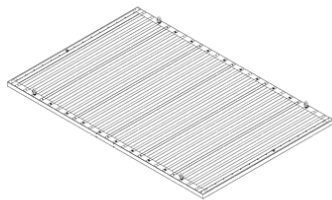
30.0110

2x



30.0510

2x



303.0110

1x



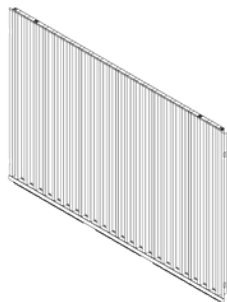
303.0510

1x



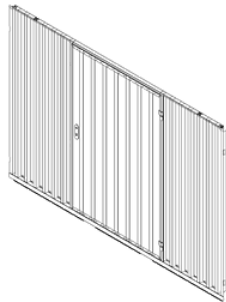
30.0410

1x



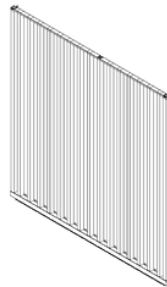
30.0420

1x



0310

4x



305.20.08

2x



305.20.09

2x

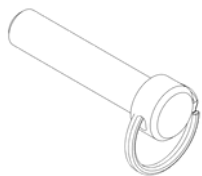


61.101

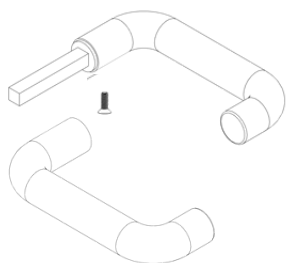
4x



20x



1x



10x



10x



10x



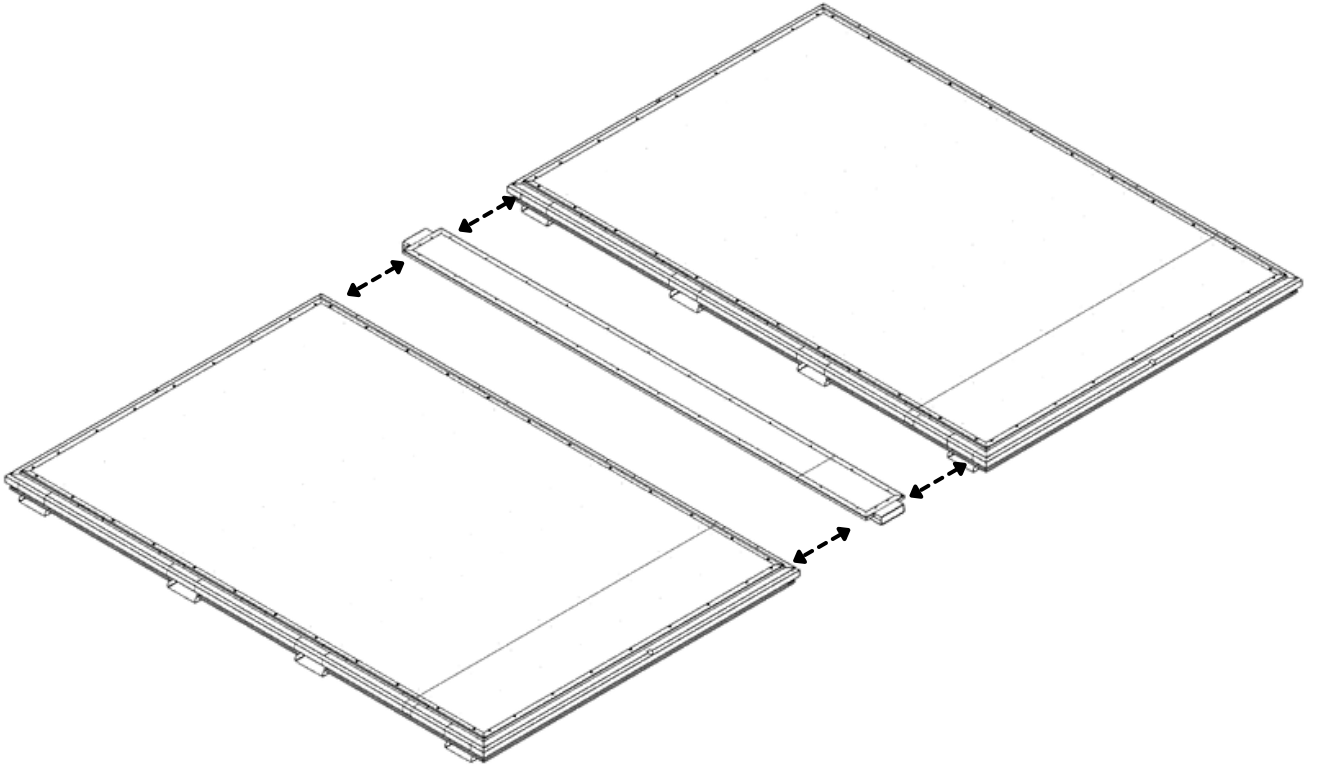
1x



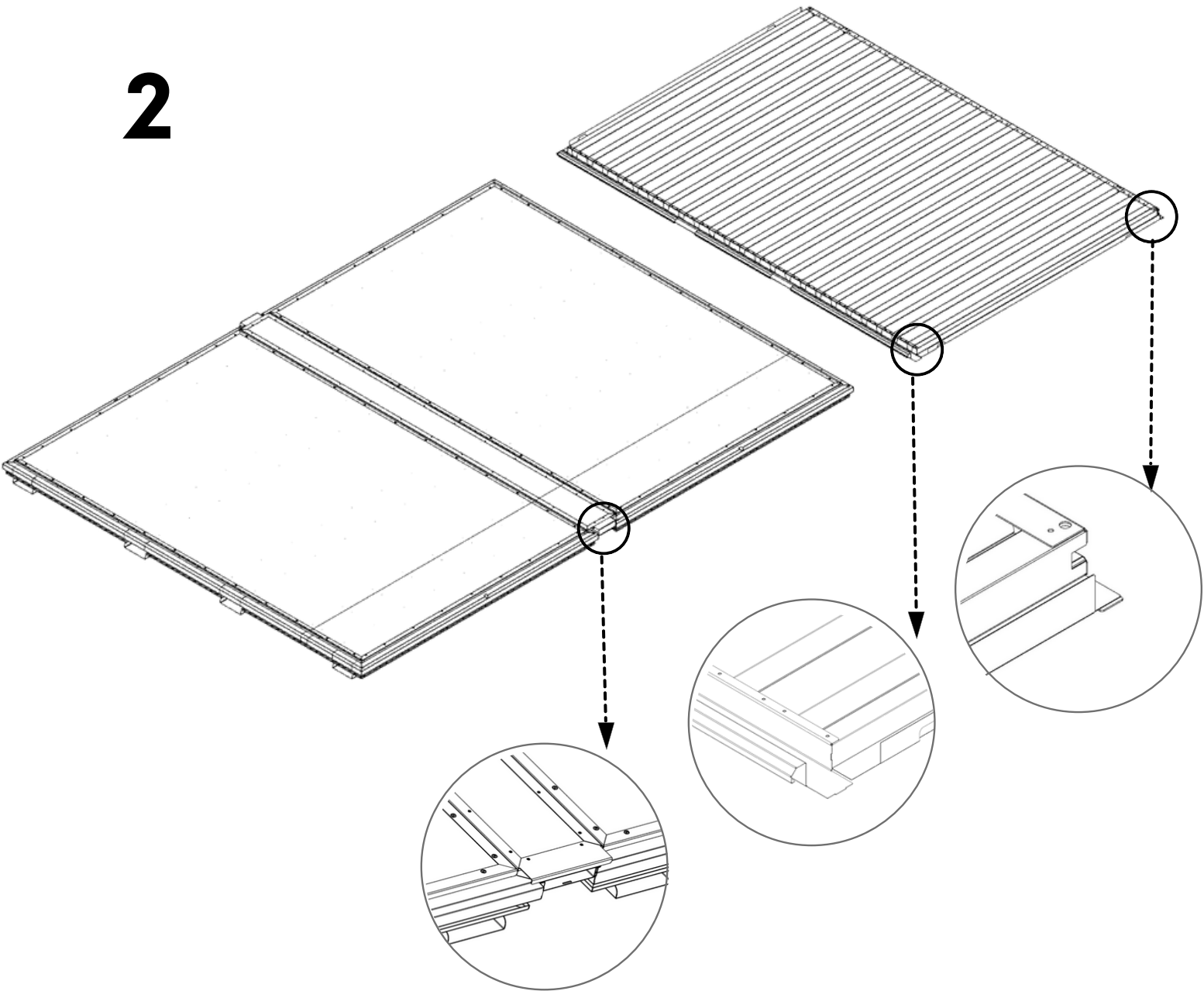
1x

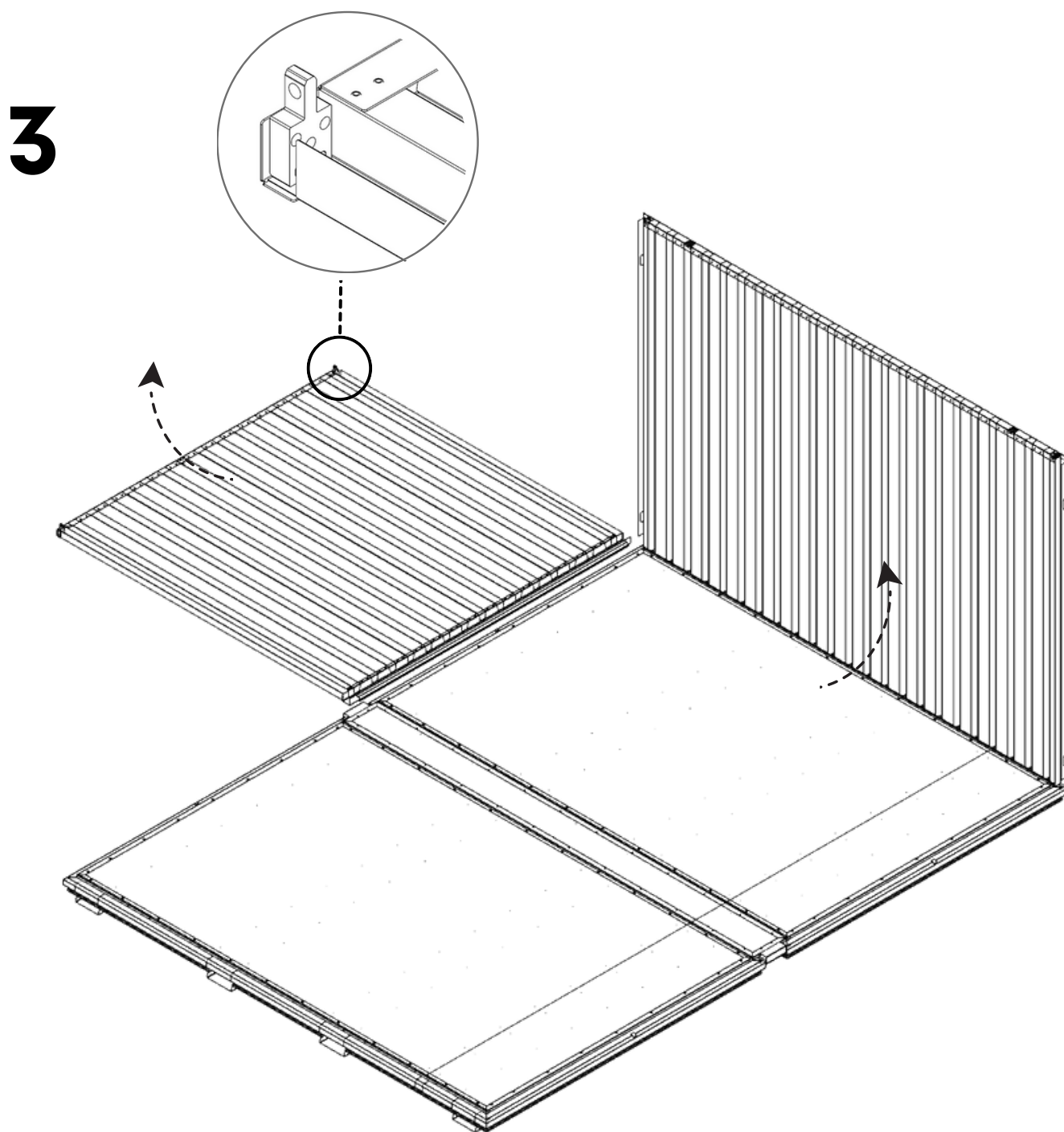
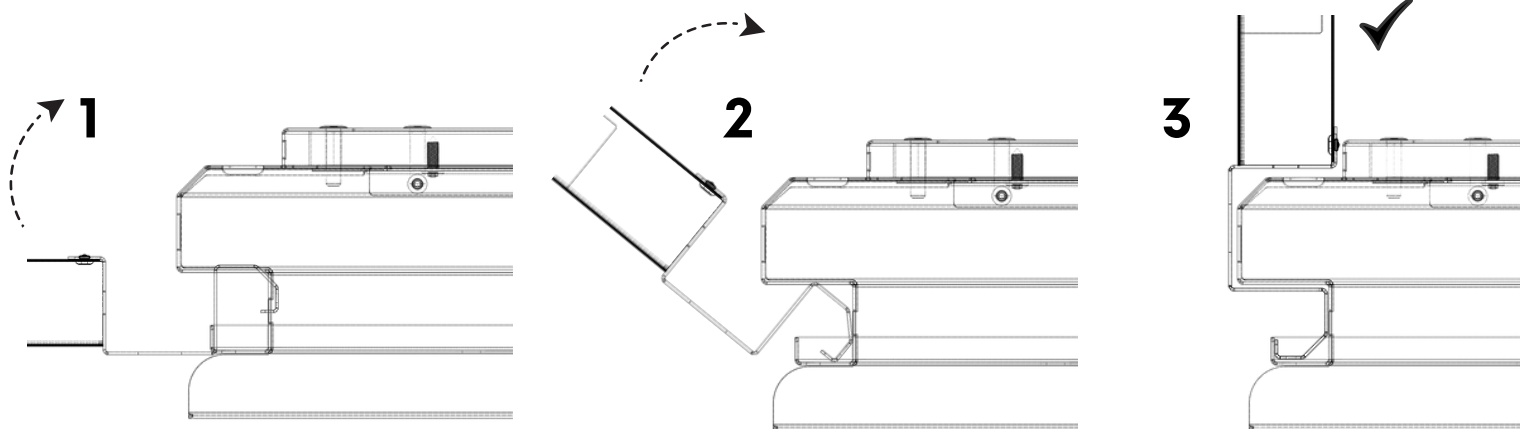


1

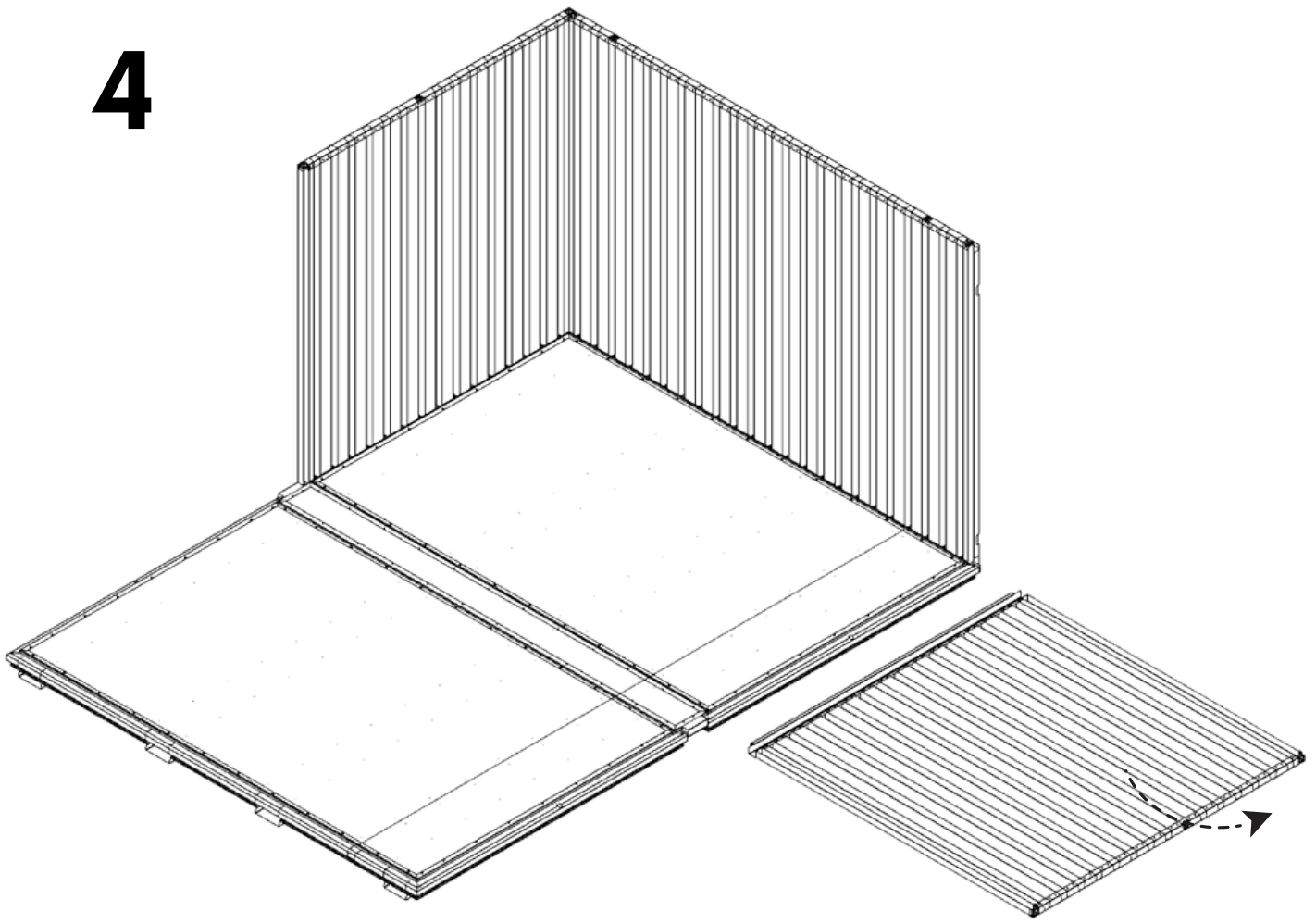


2

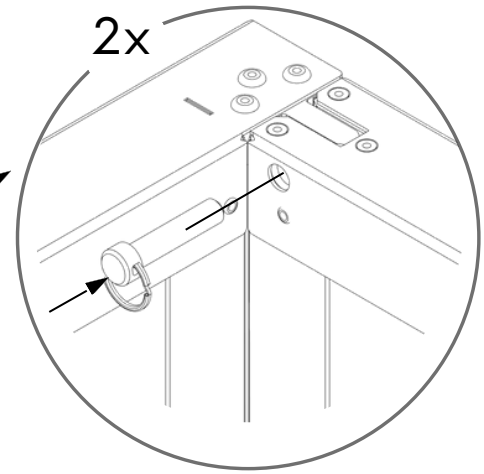
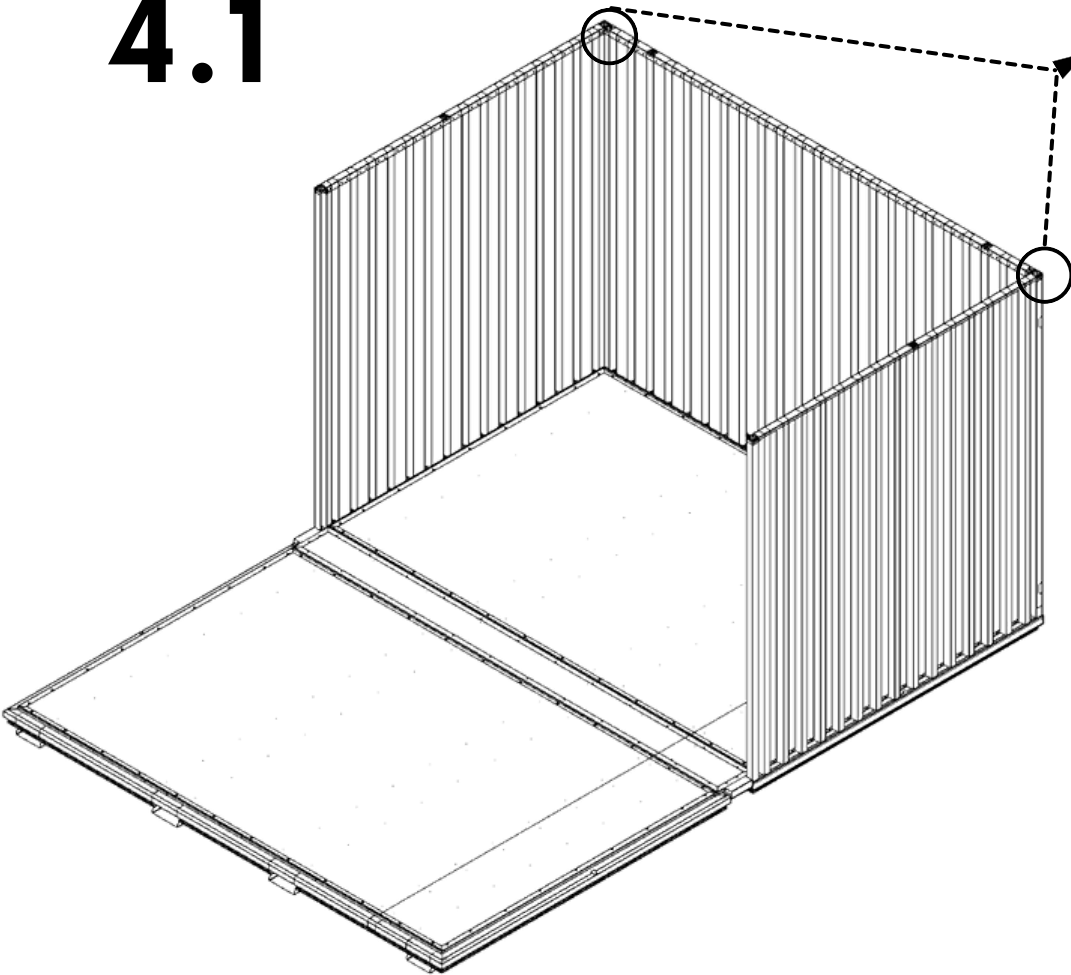




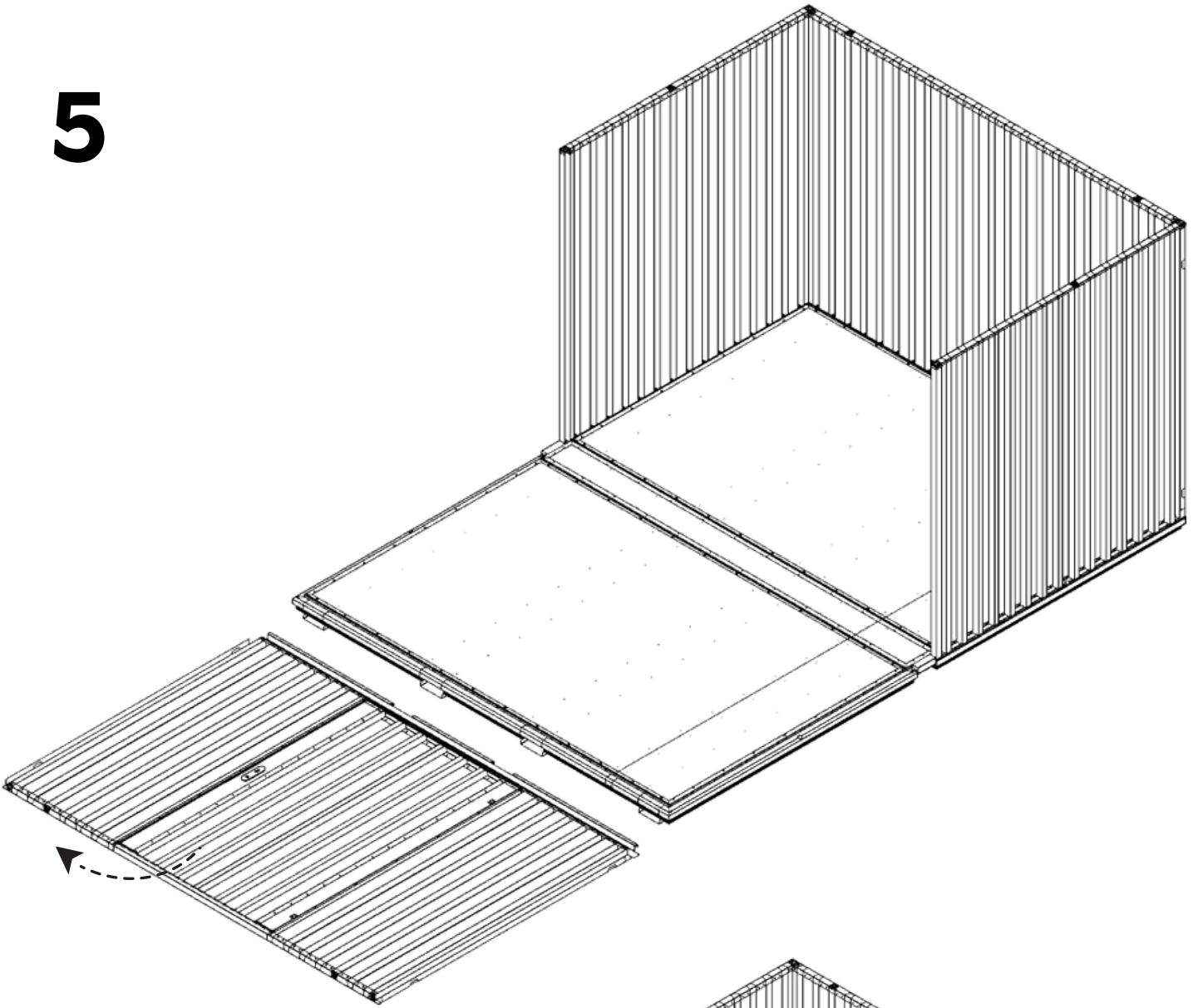
**4**



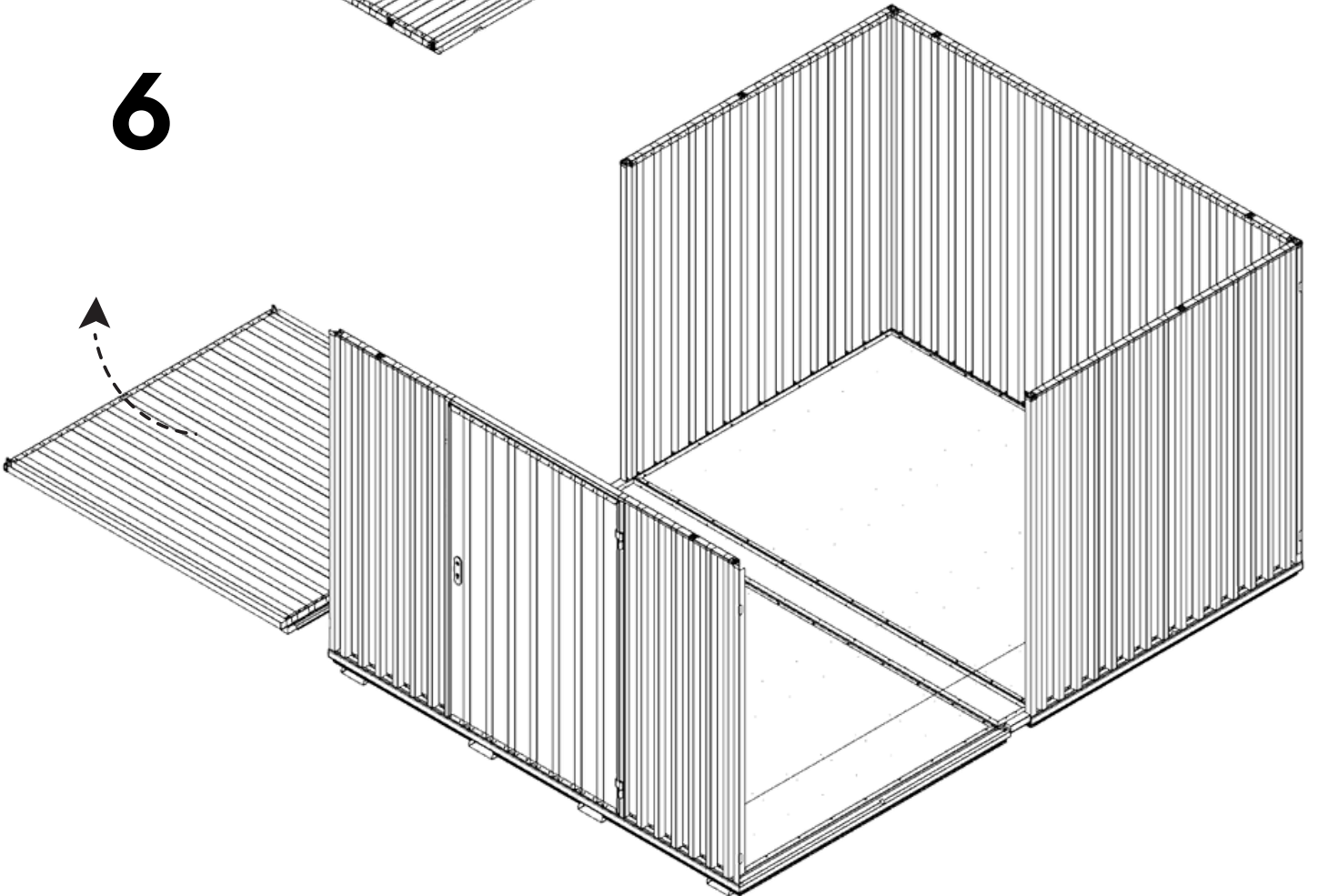
**4.1**



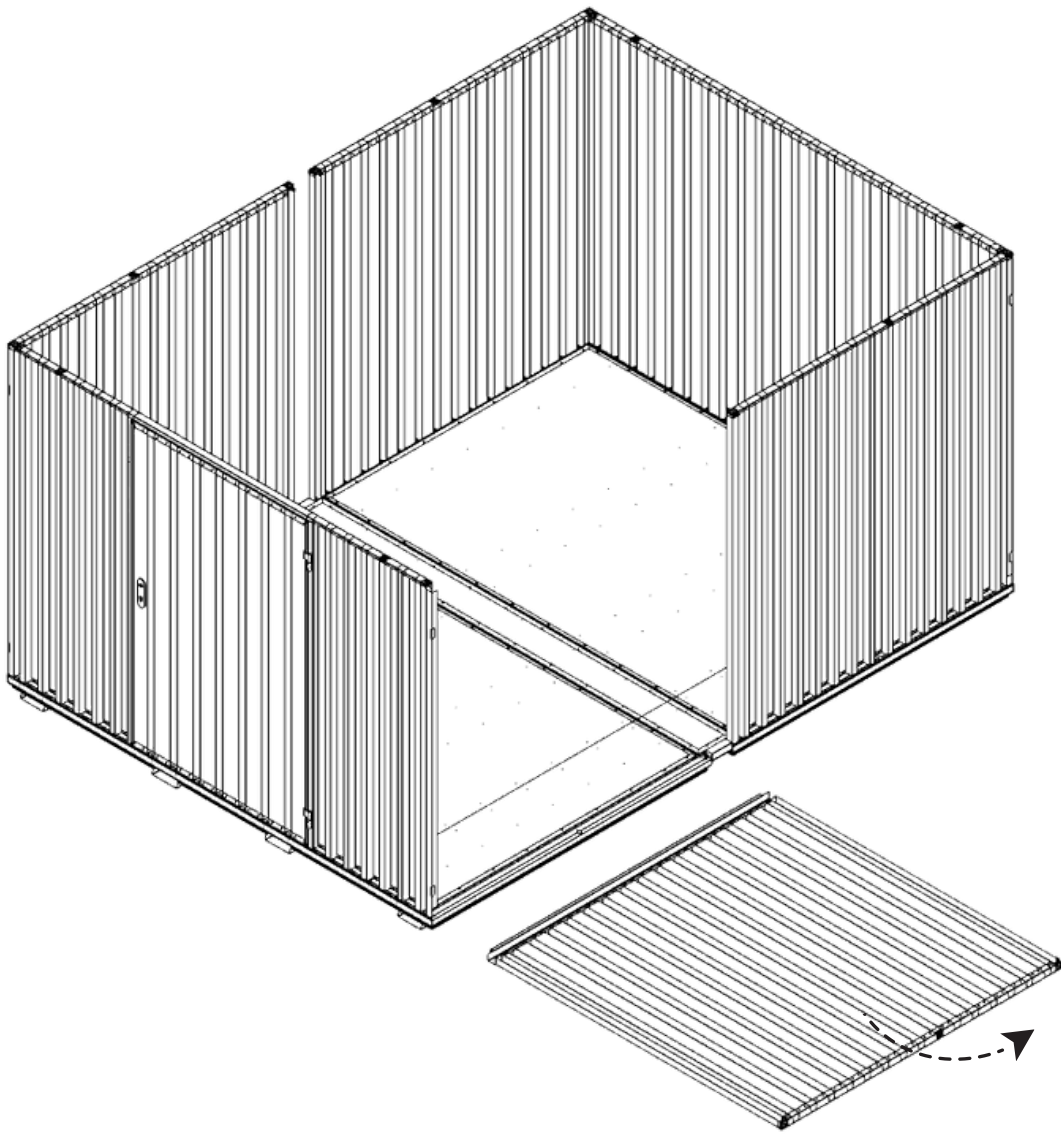
**5**



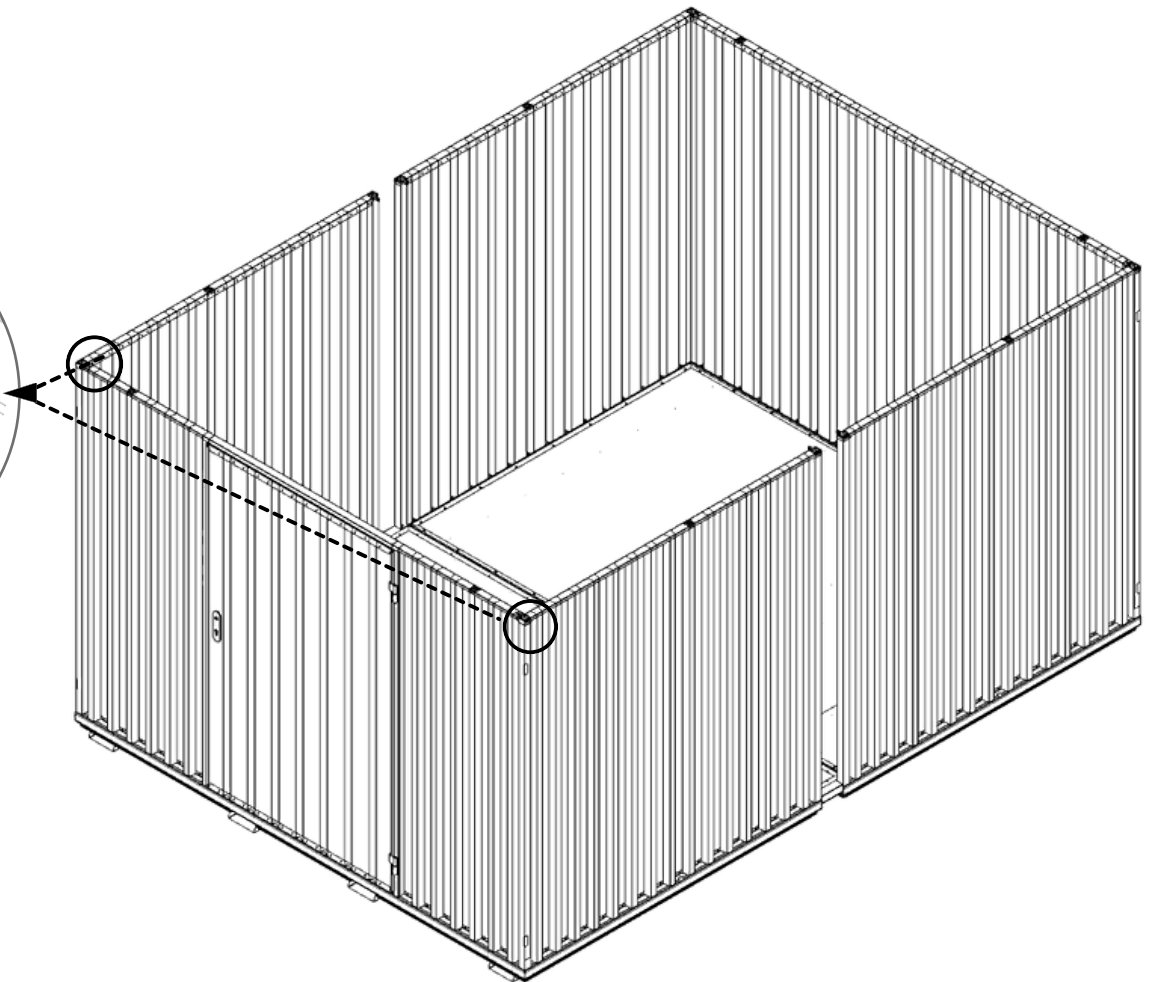
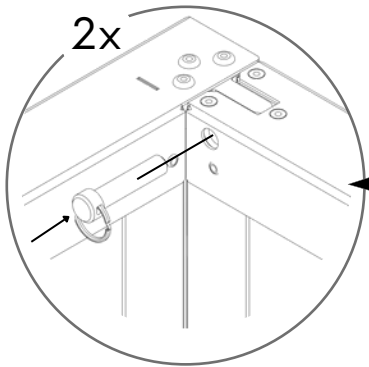
**6**



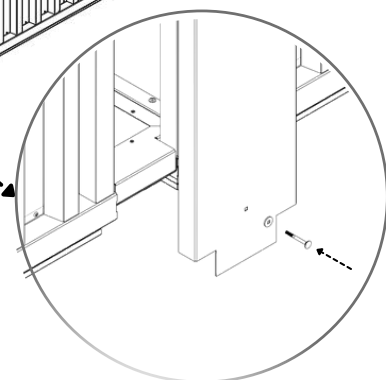
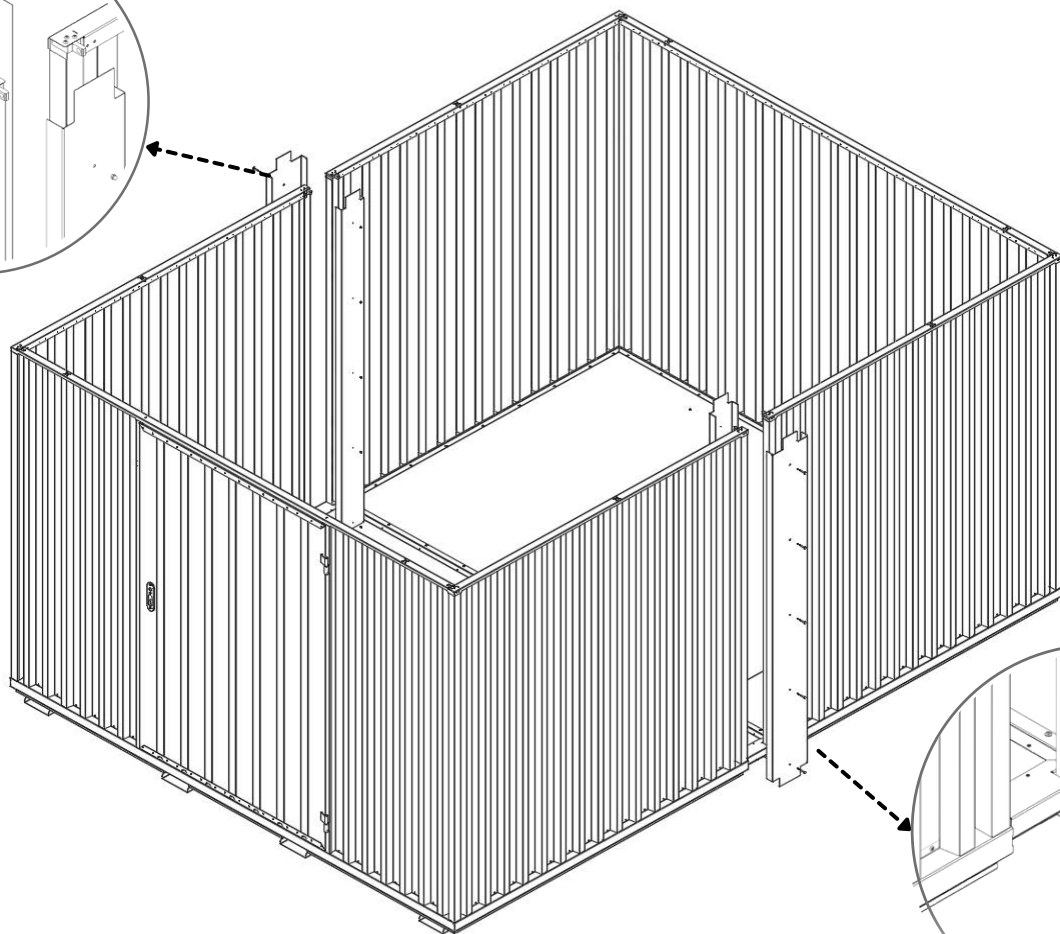
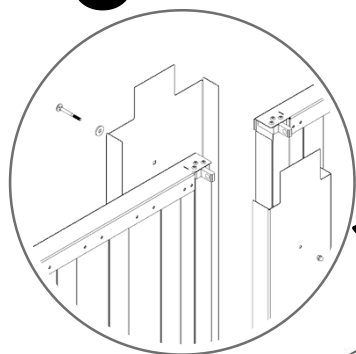
# 7



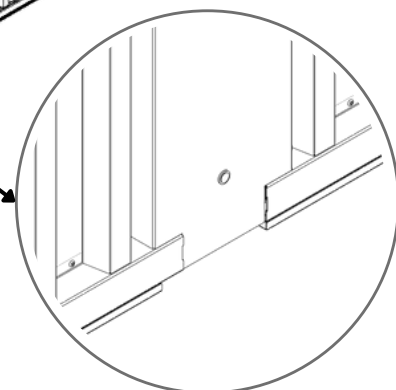
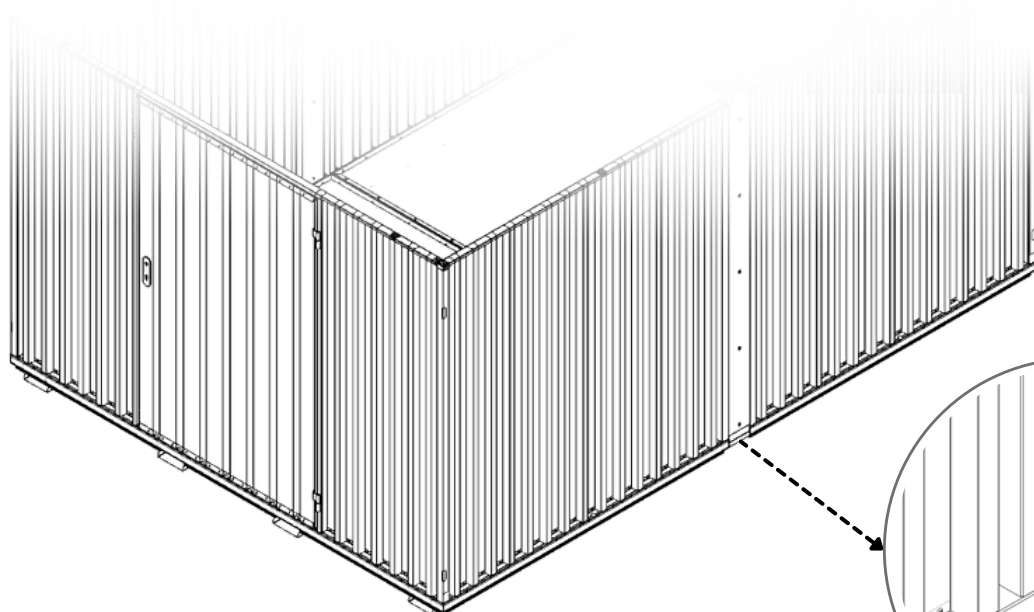
# 7.1



# 8

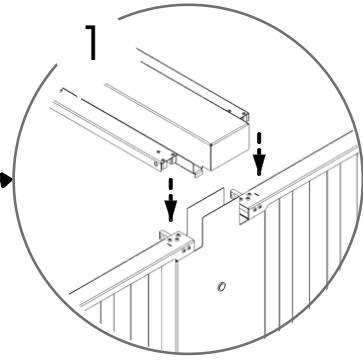
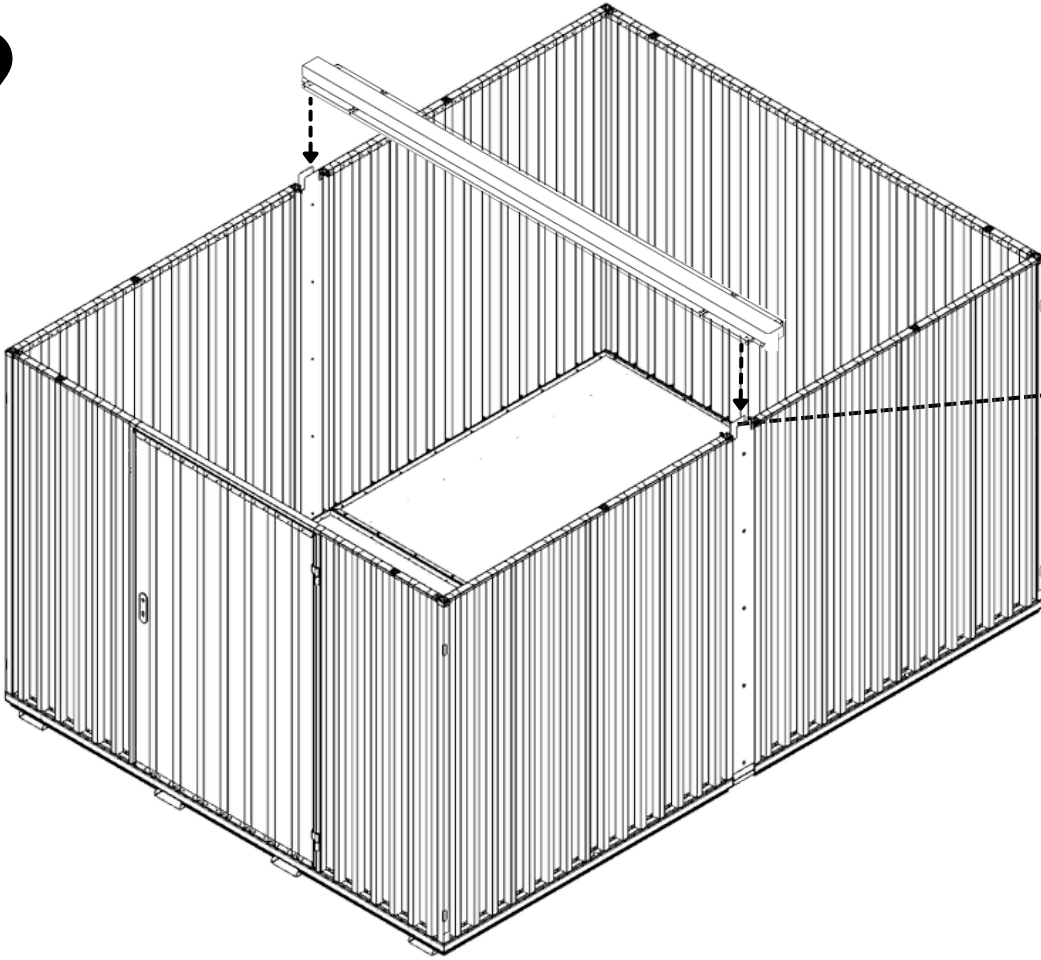


# 8.1

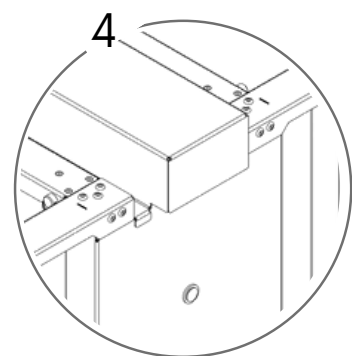
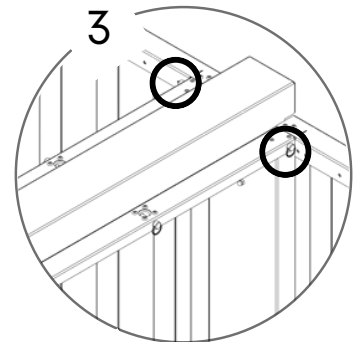
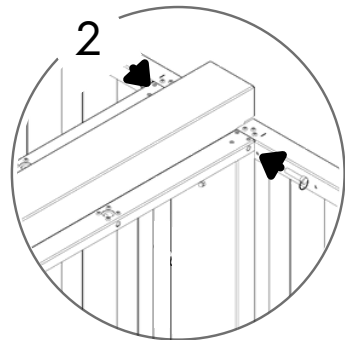
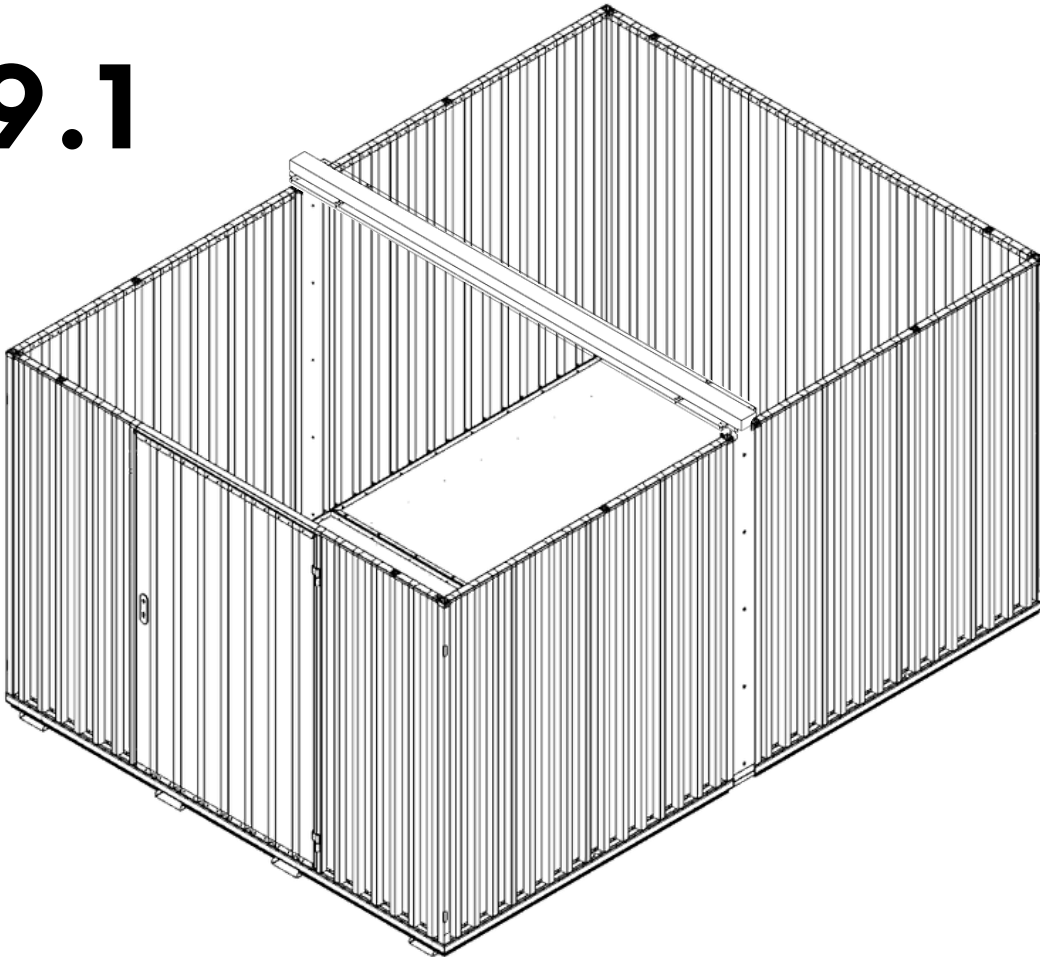












9

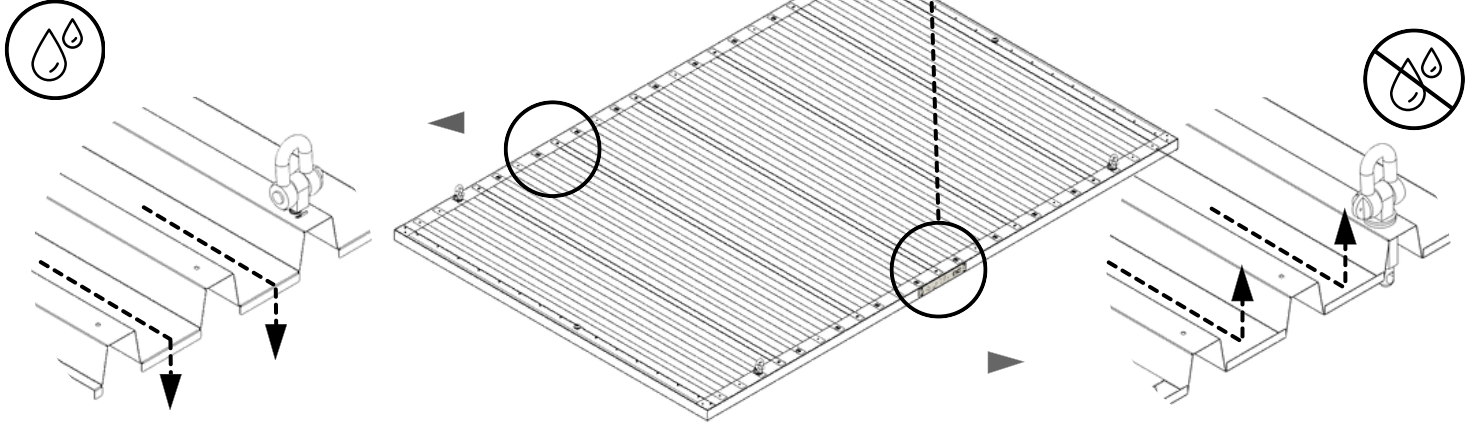


9.1

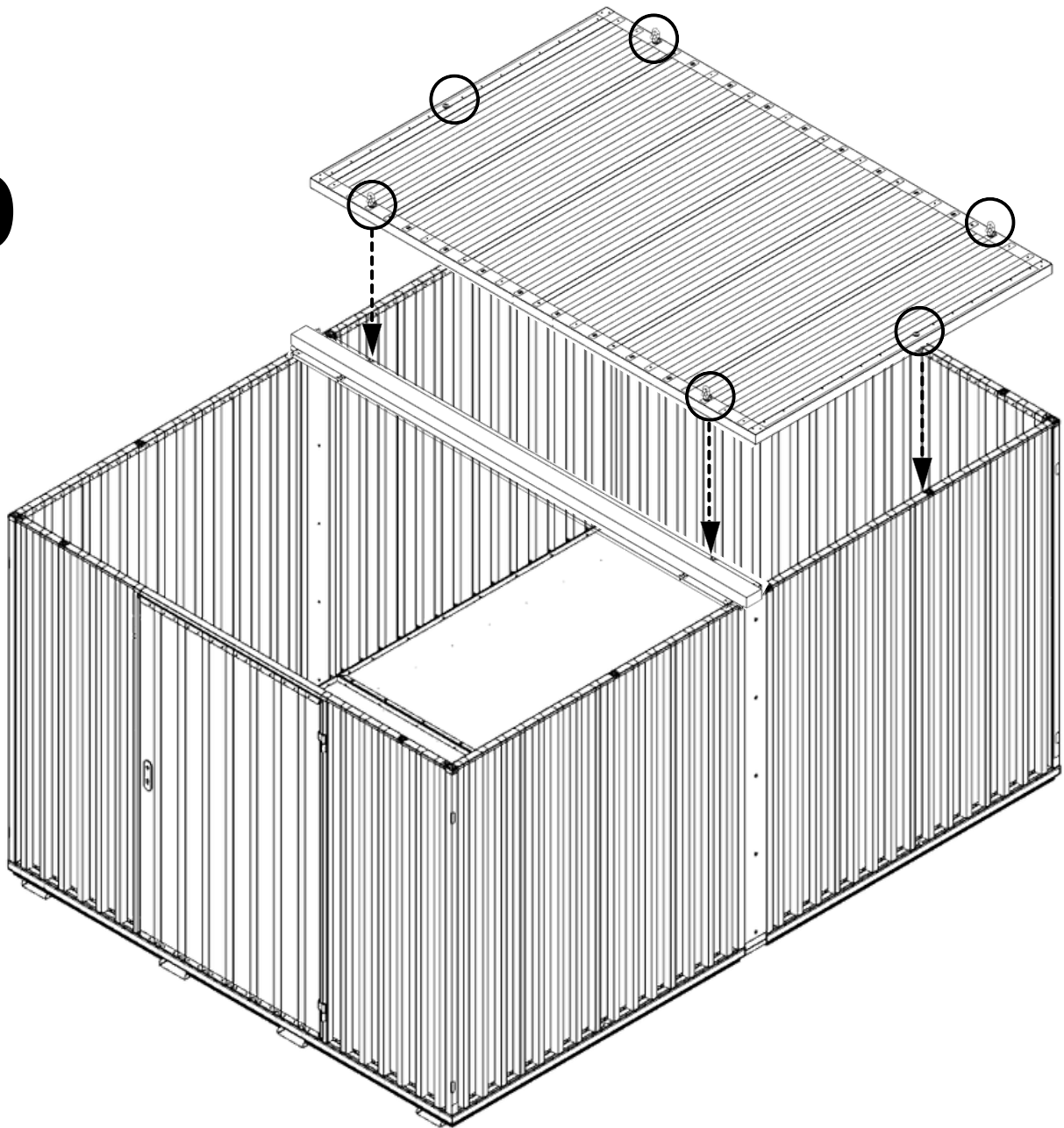




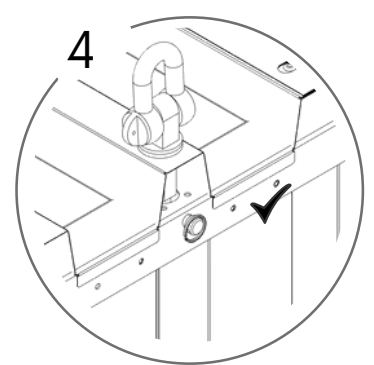
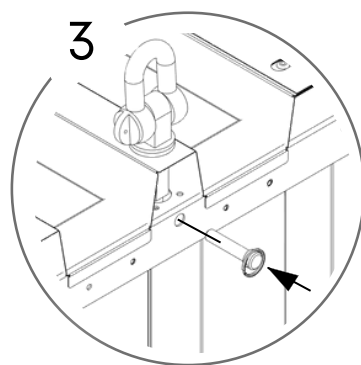
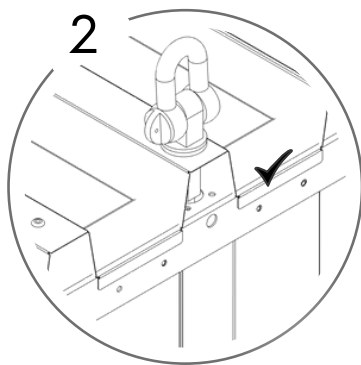
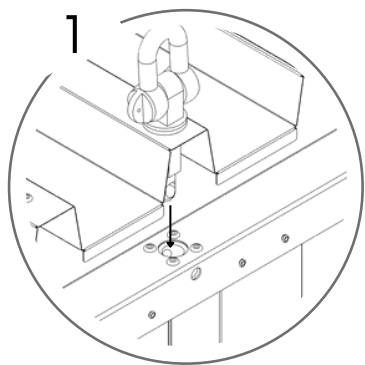
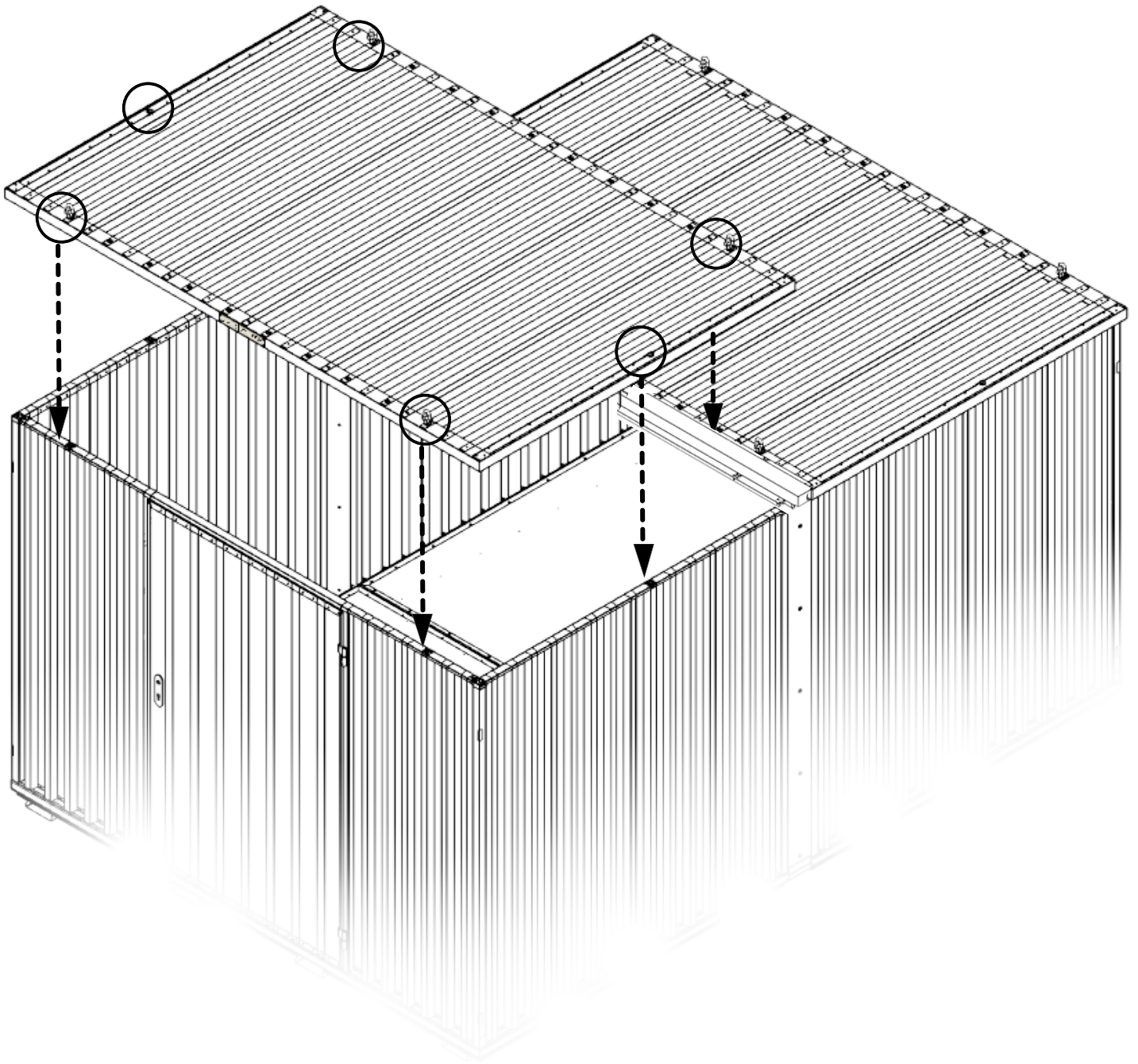
 606 KG	 1640 MM	Model Code: 303.110.420 Production Tracking Code: ...../X09.1.303.420	  	 	
---	--	---	---	---	---



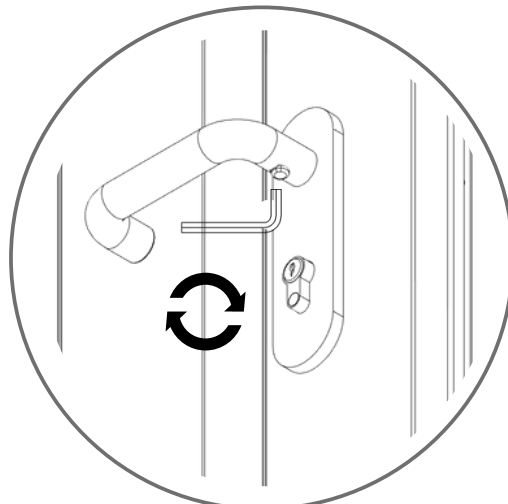
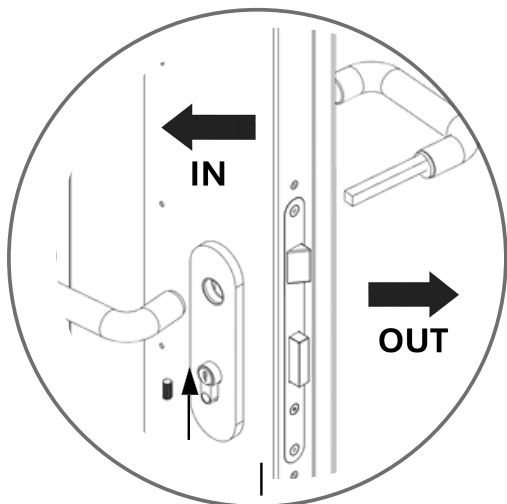
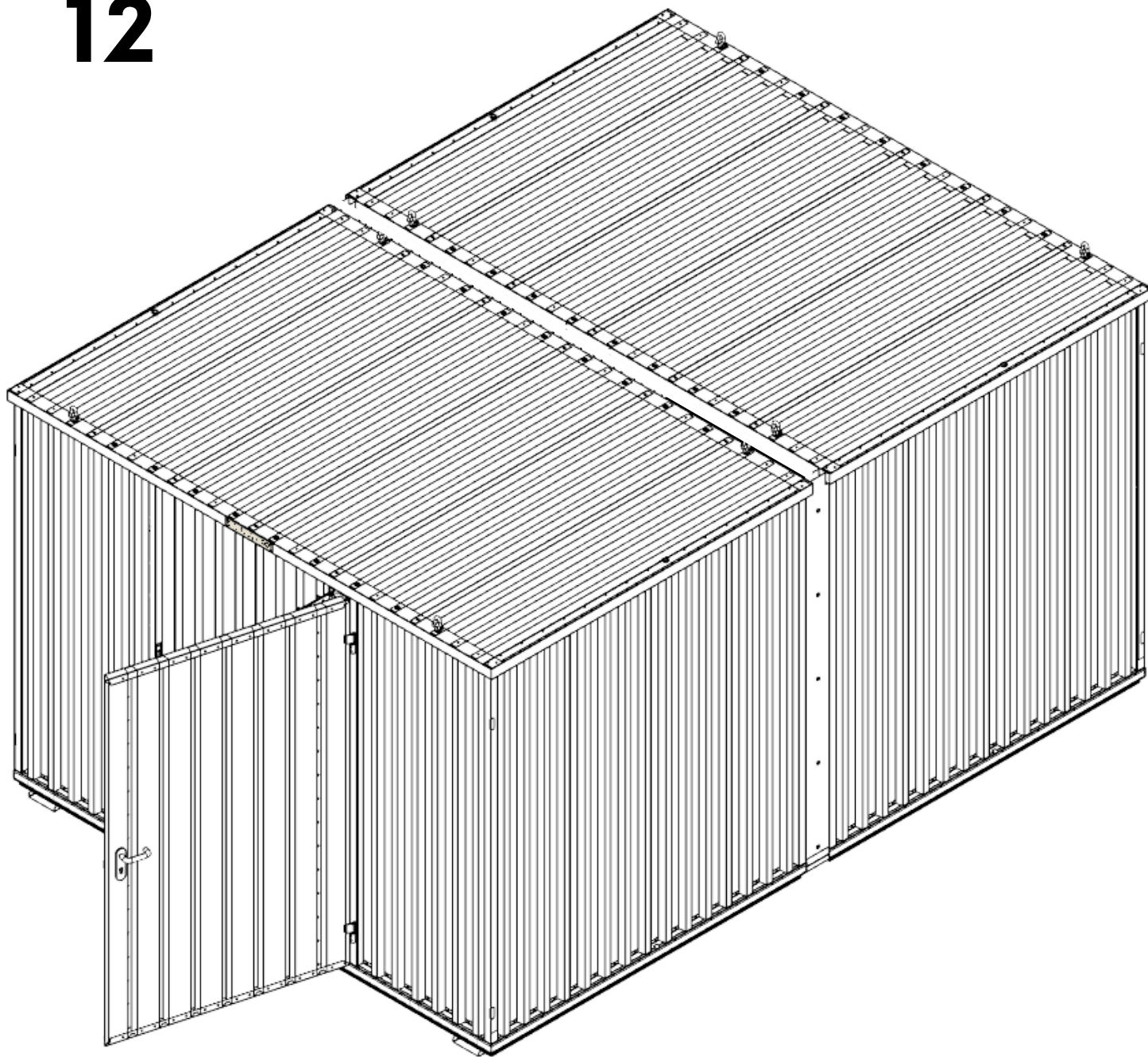
**10**



# 11



# 12



13

