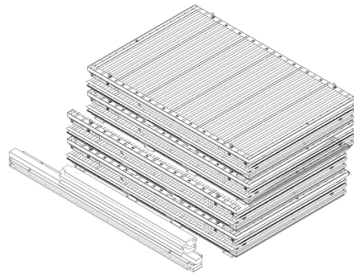


**PRODUCT CODE:4030.110.330**

**prefabase**  
Quick Build Solutions

Instructions and User Guide



40.0110  
1x

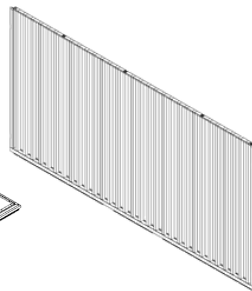
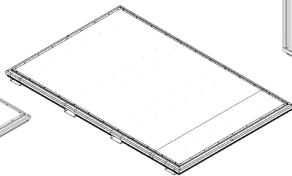
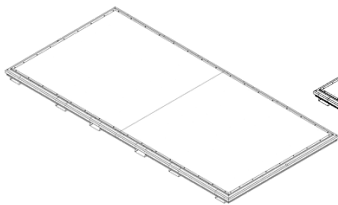
30.0110  
1x

40.0410  
2x

30.0410  
2x

0330/0220/0230  
1x

0310  
1x



40.0510  
1x

30.0510  
1x

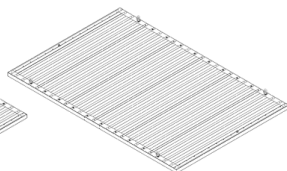
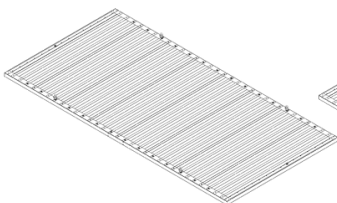
0099.61.101  
4x

306.0110  
1x

3060.0099.40.05  
2x

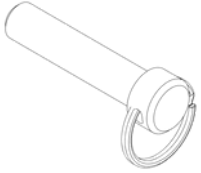
3060.0099.40.04  
2x

306.0510  
1x

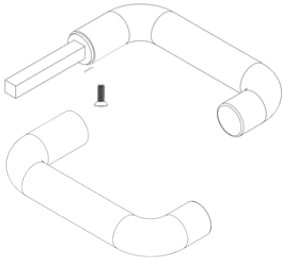




22x



1x



1x



1x



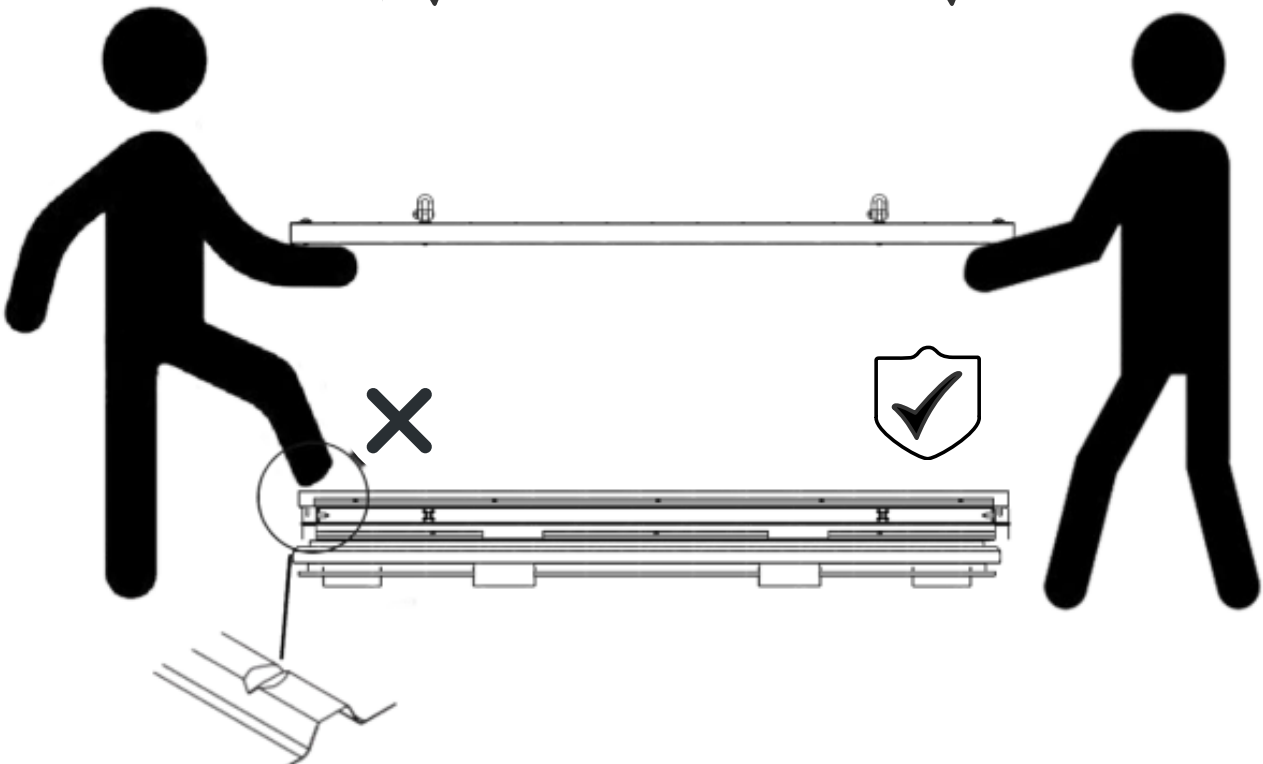
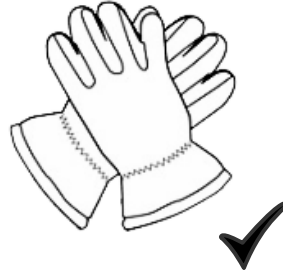
10x



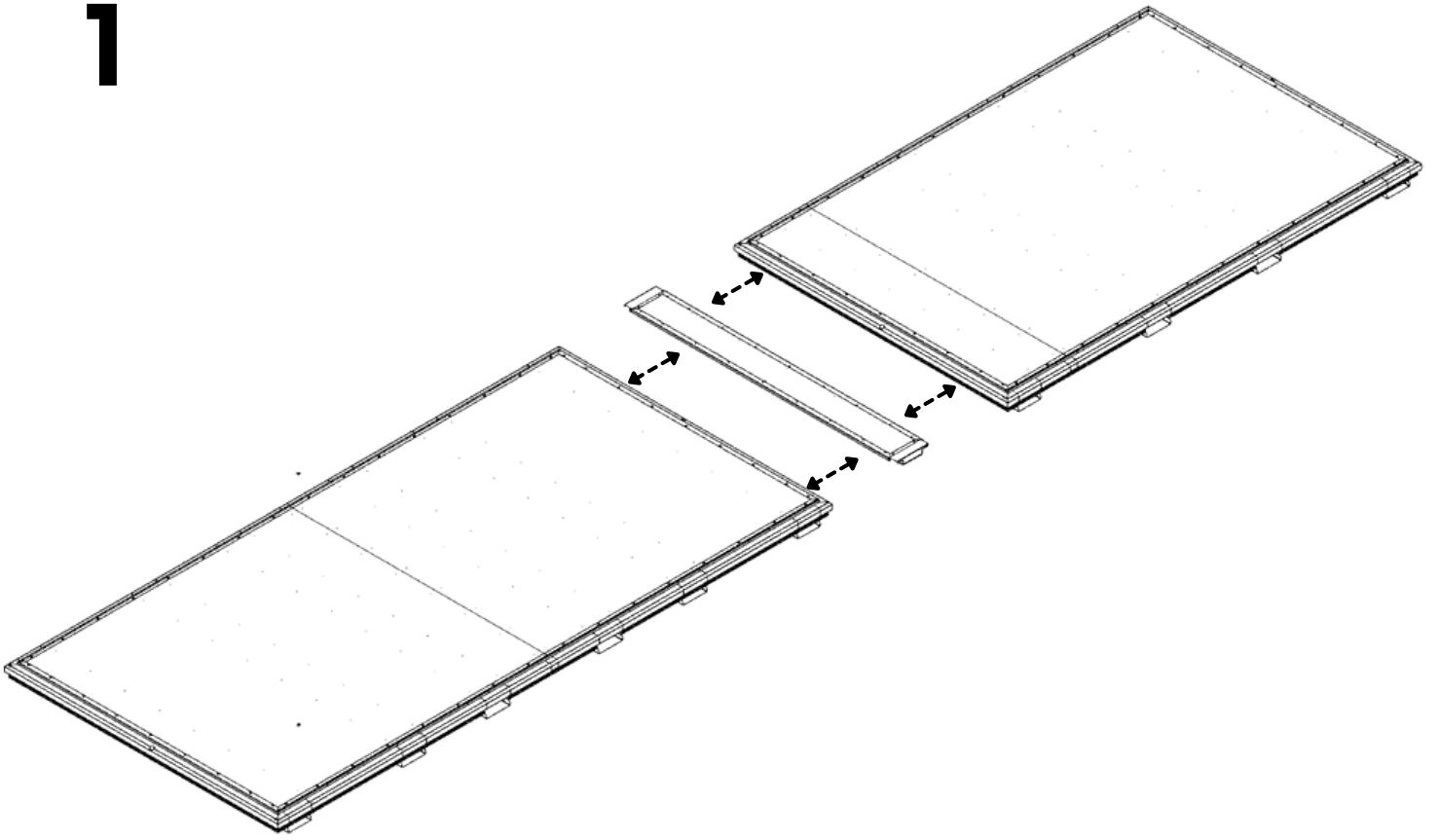
10x



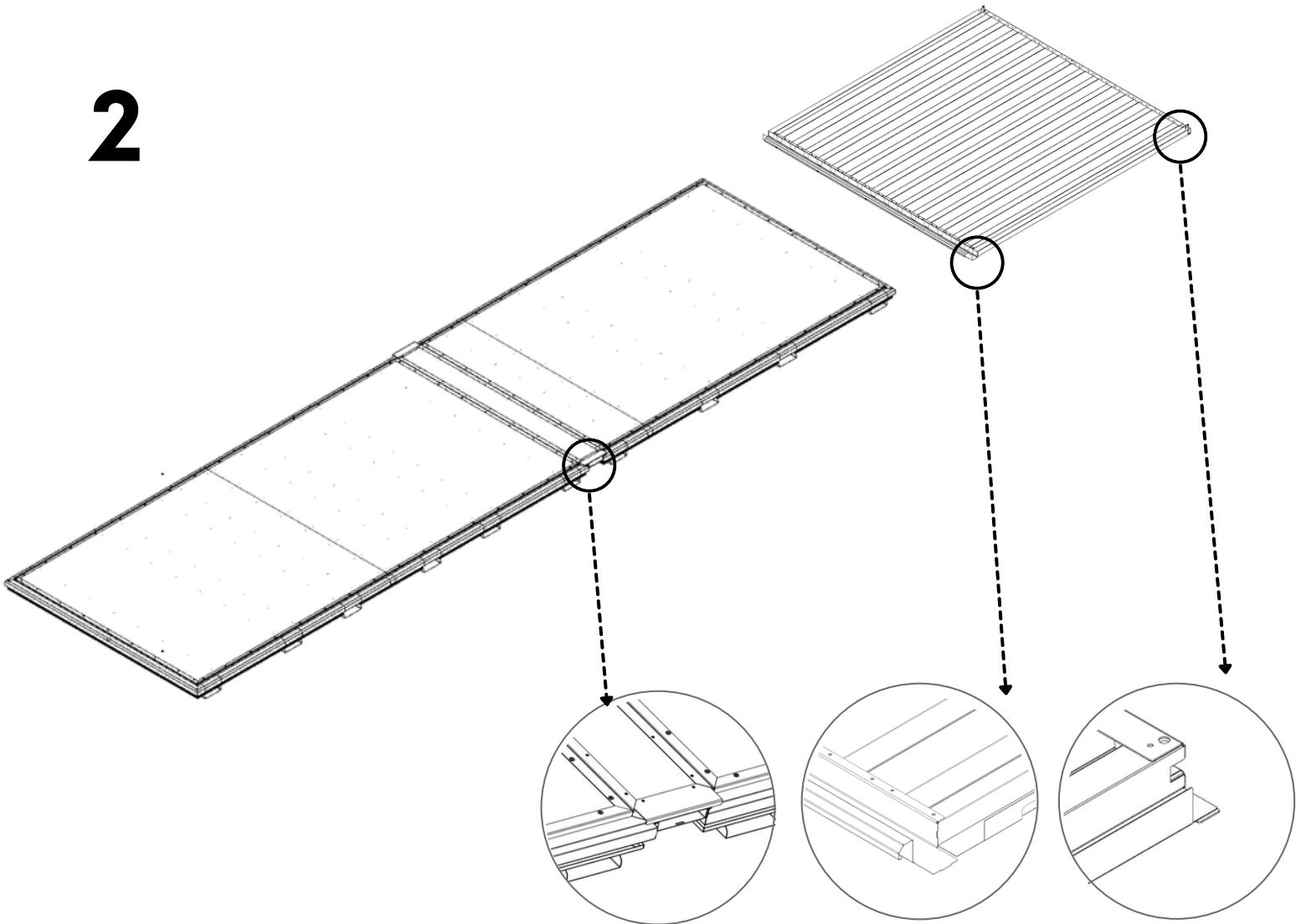
10x

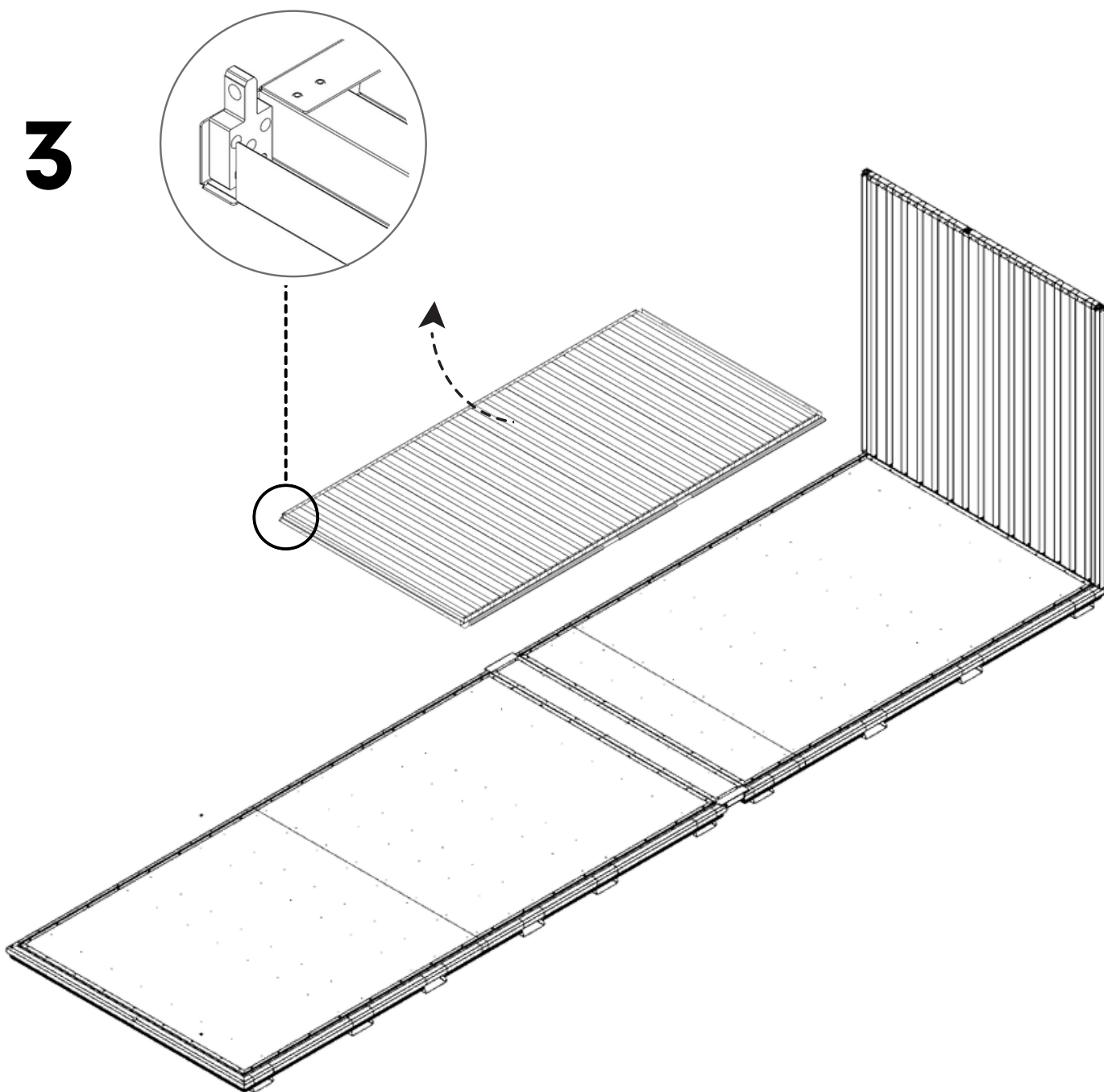
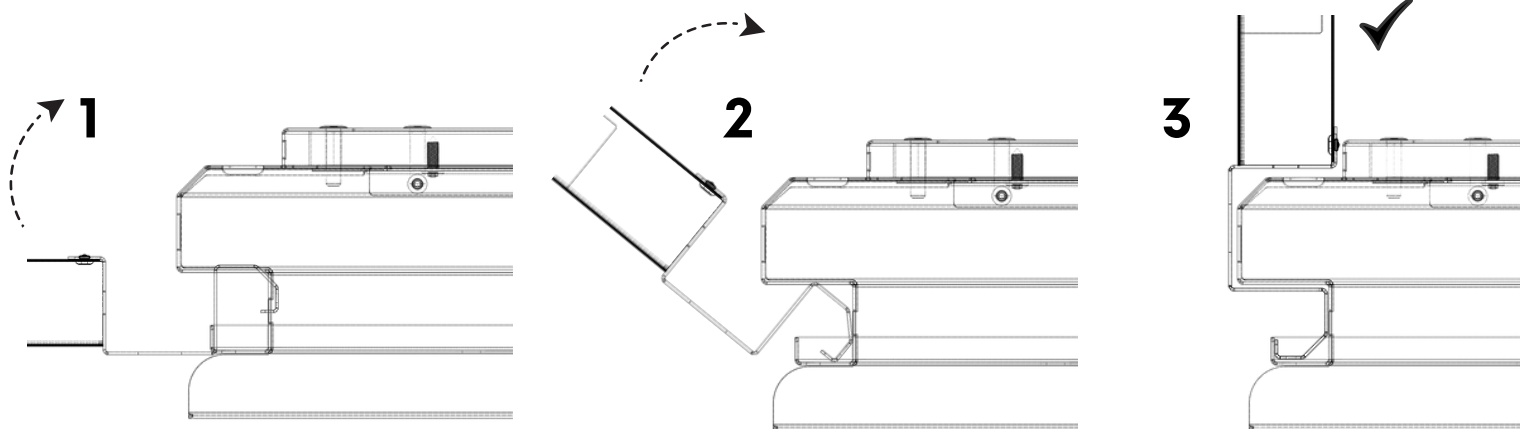


**1**

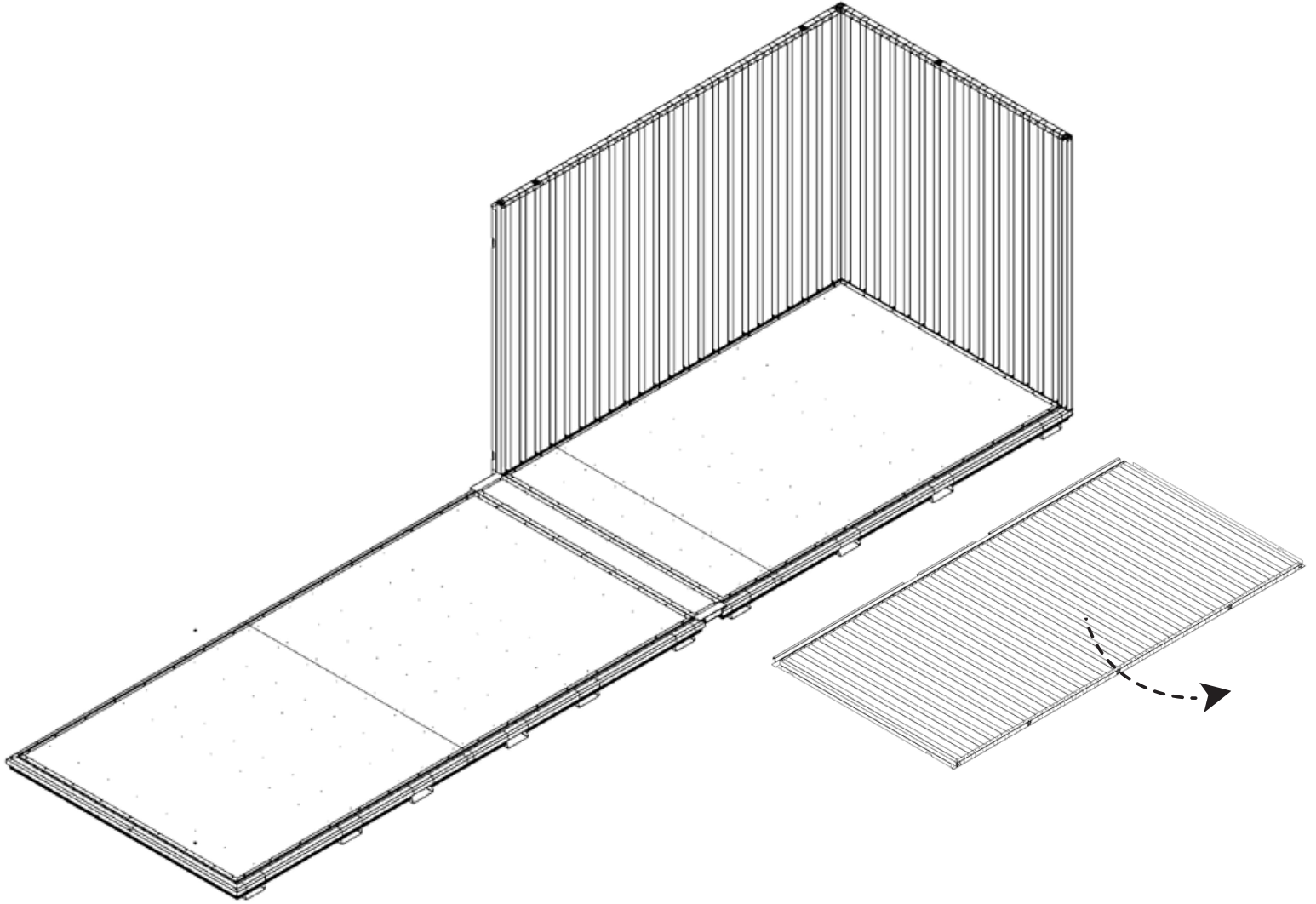


**2**

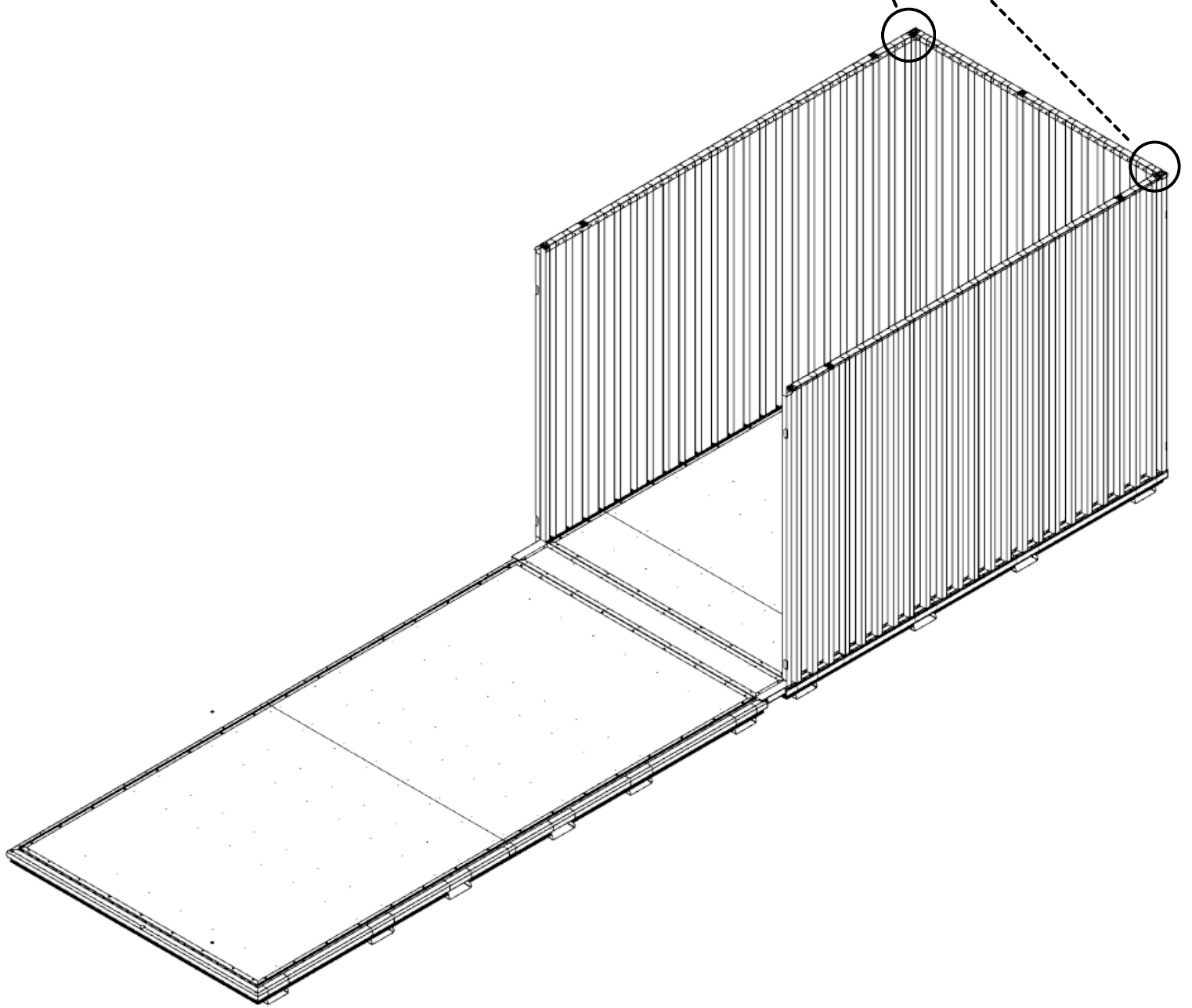
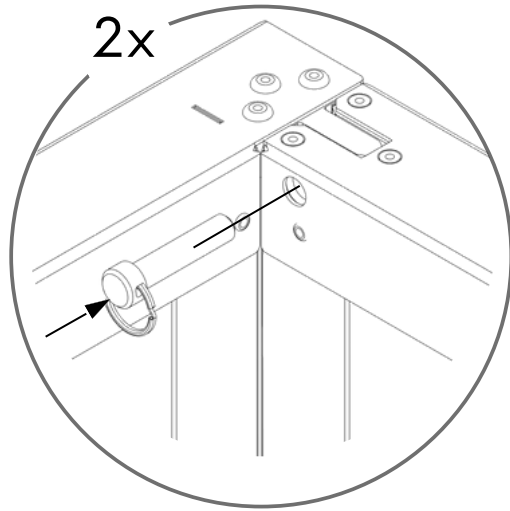




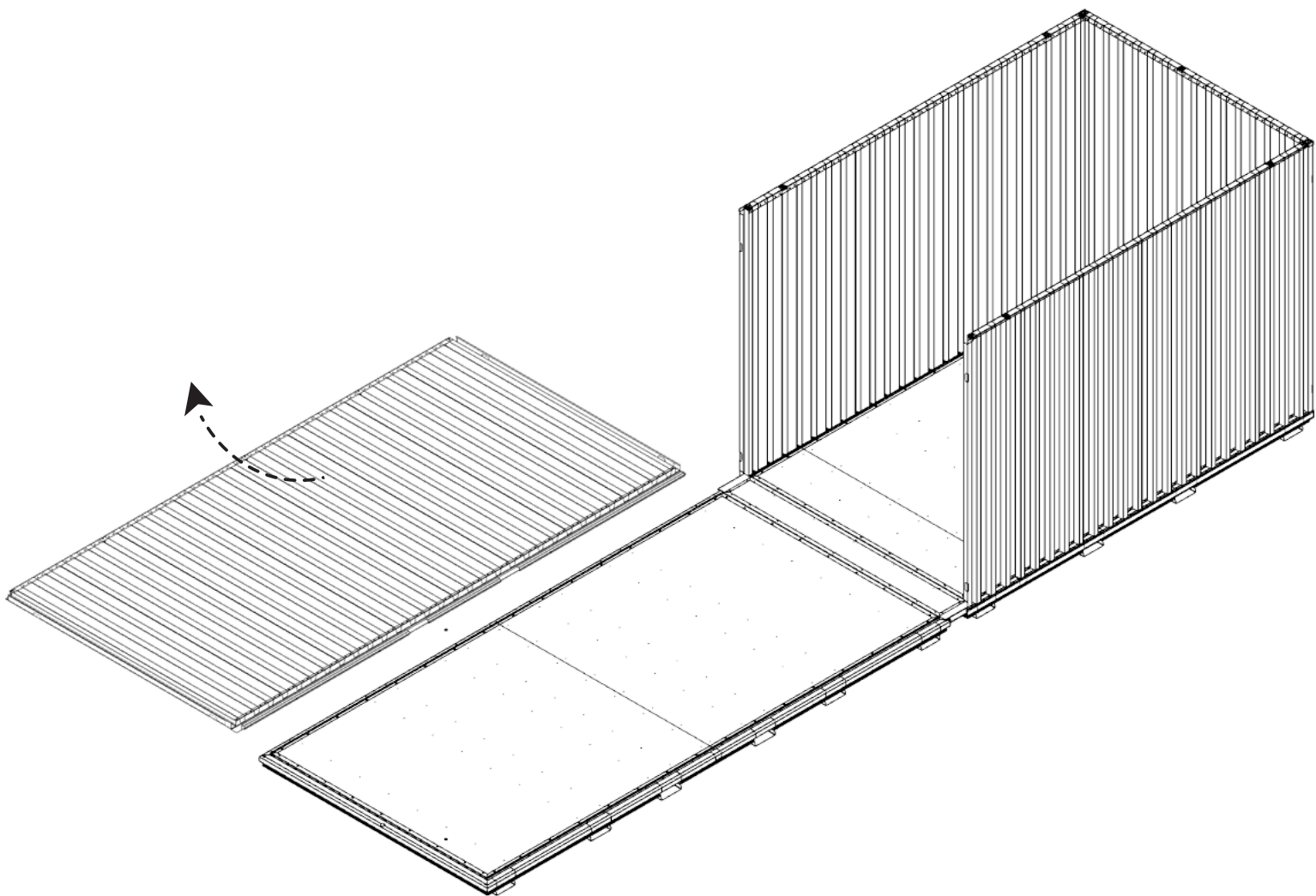
4



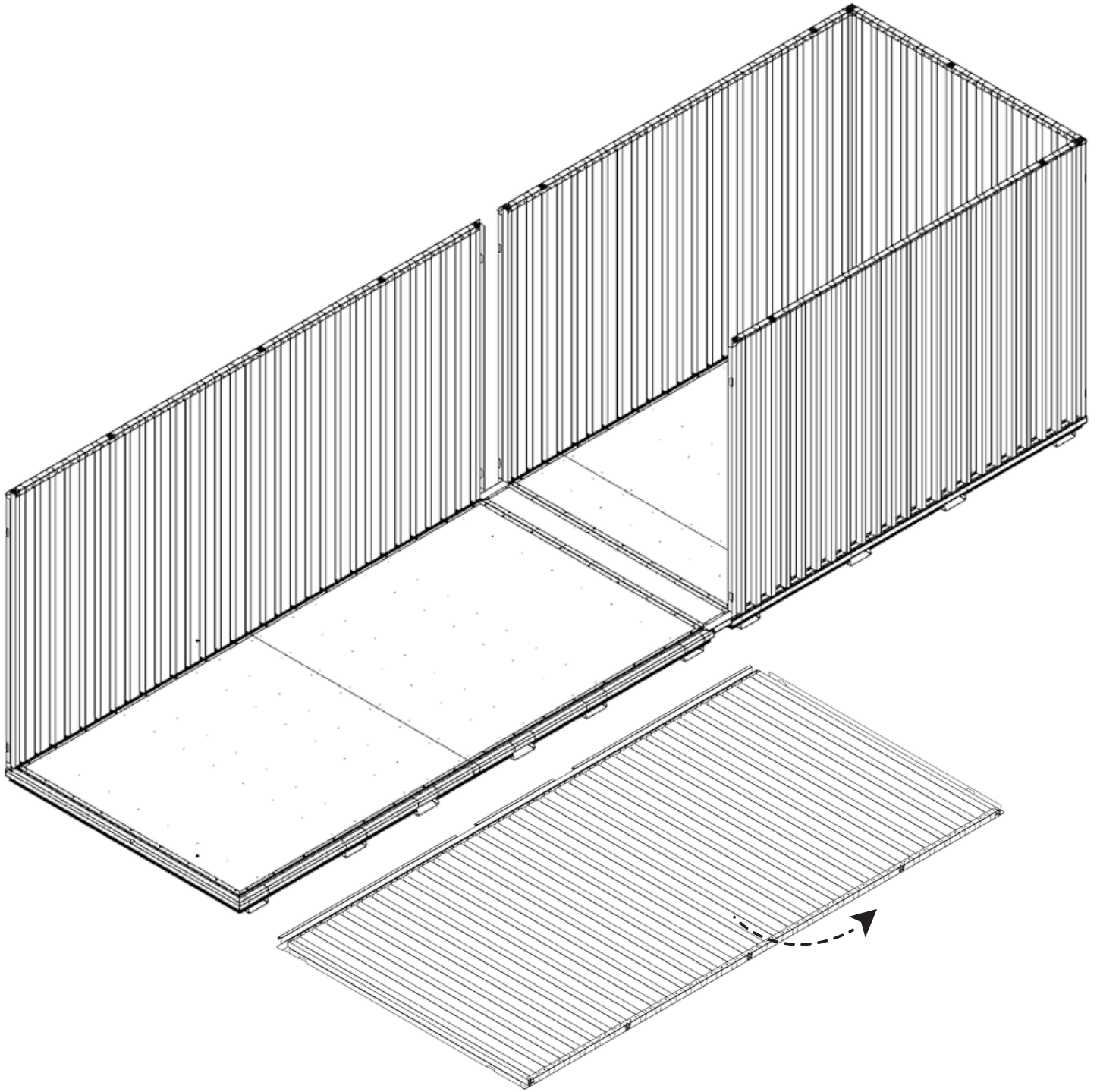
# 4.1



5

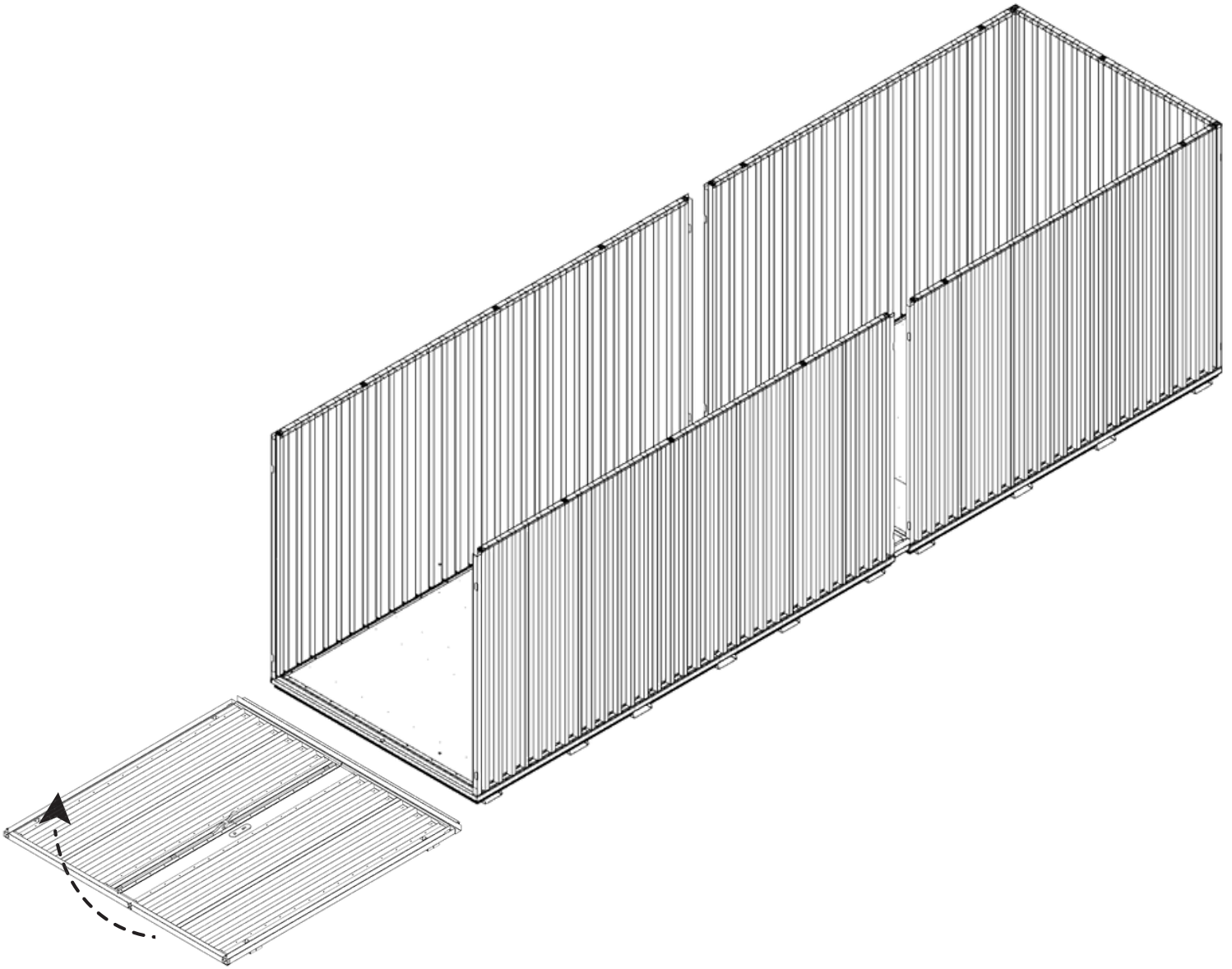


6

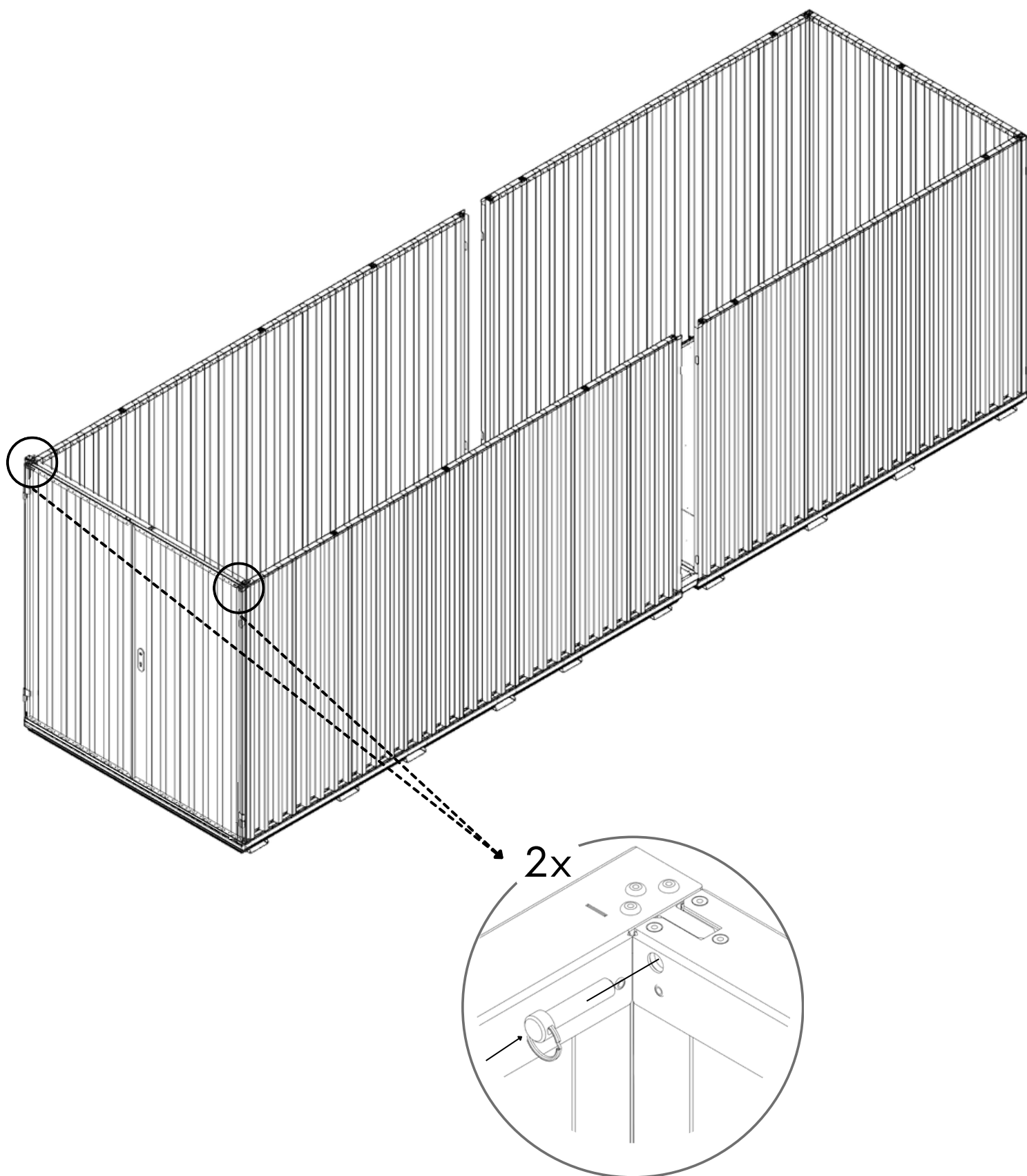




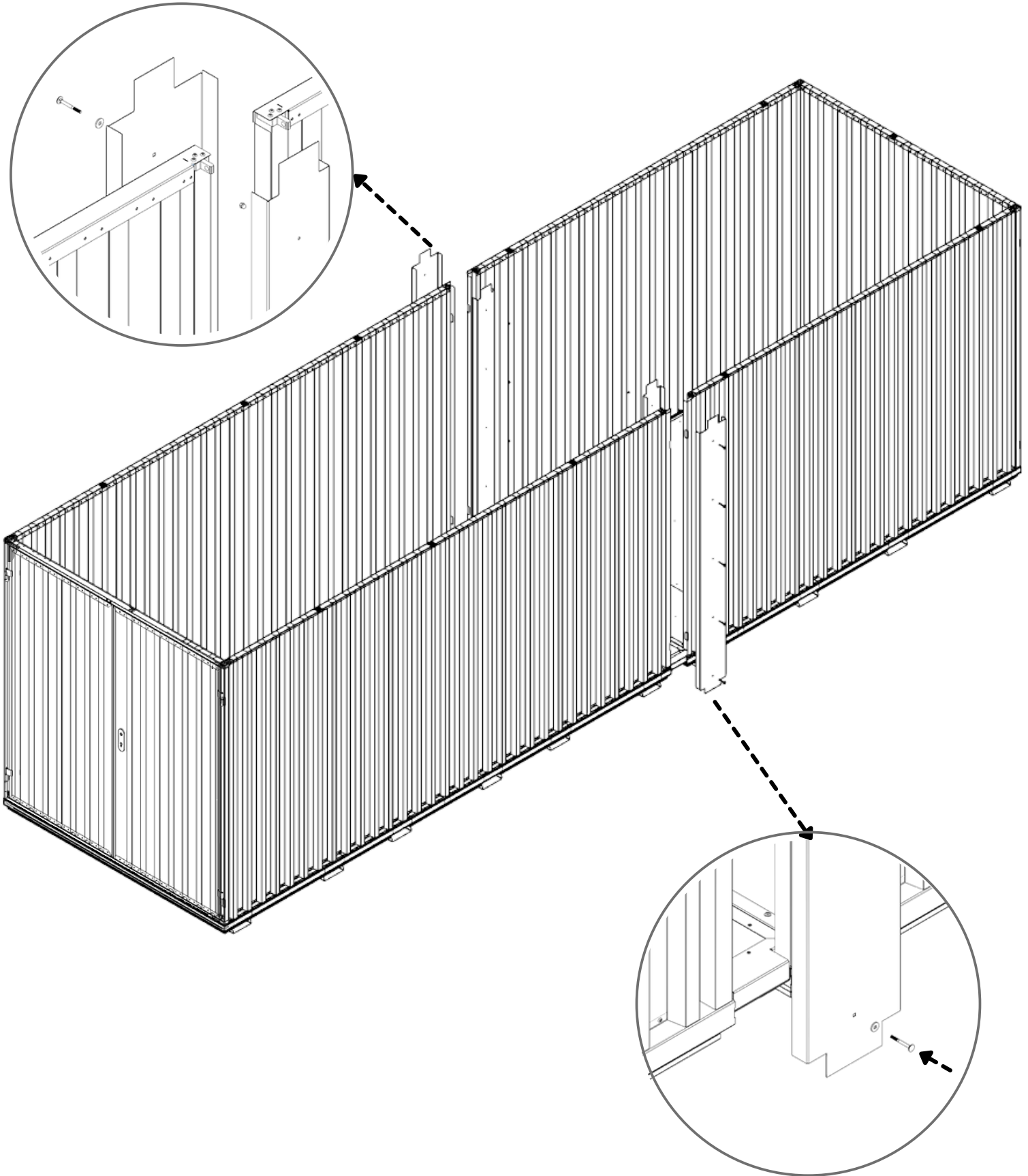
7



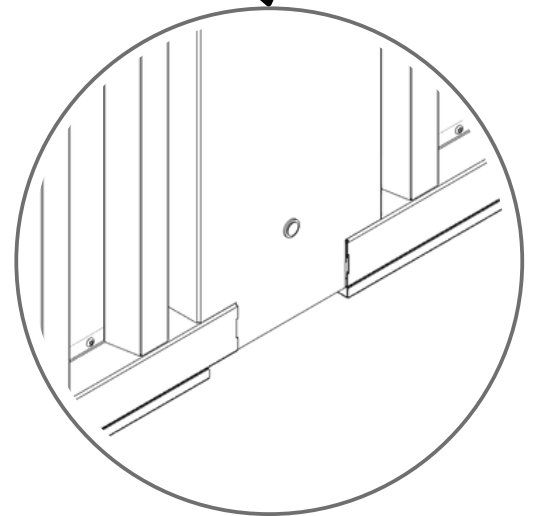
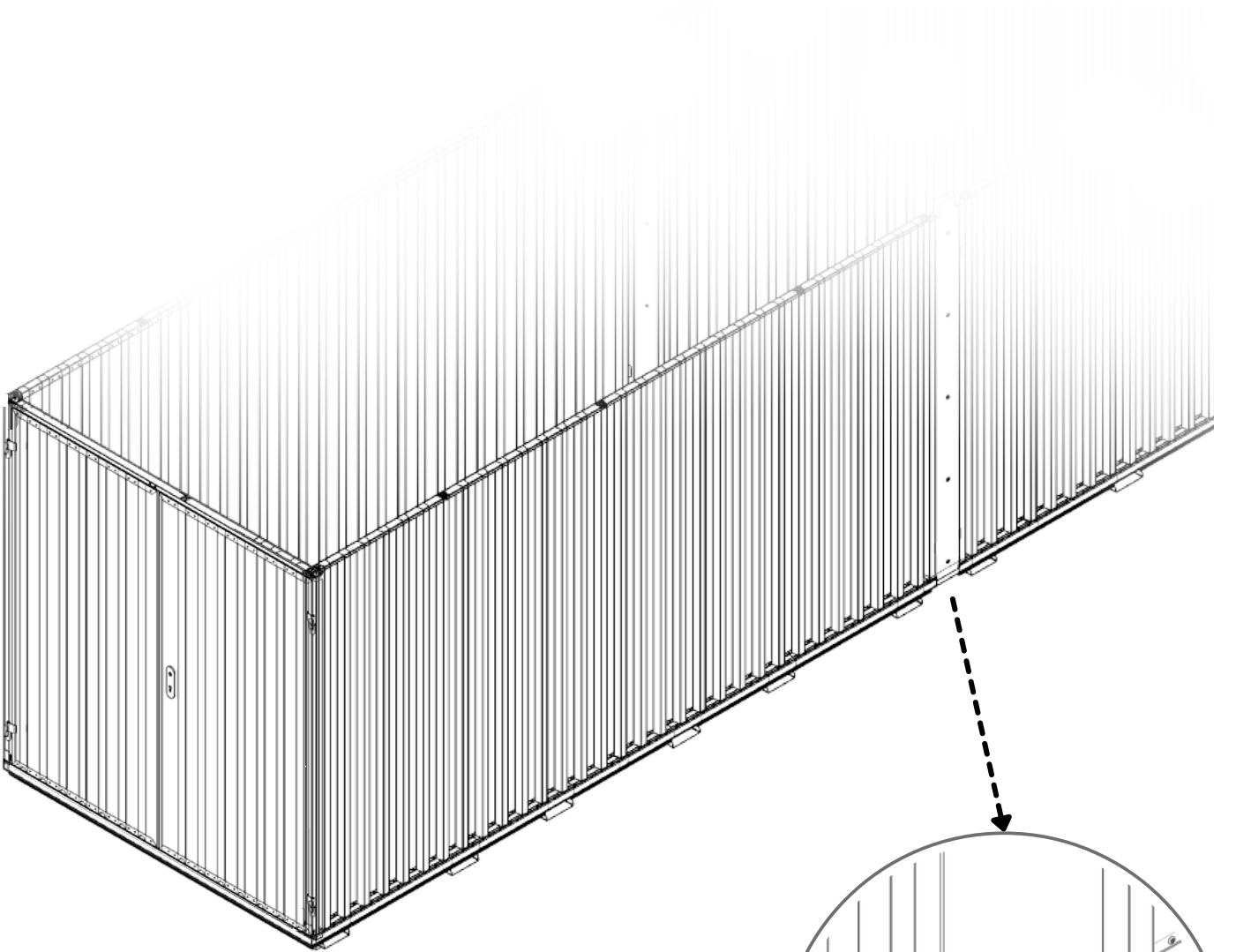
# 7.1



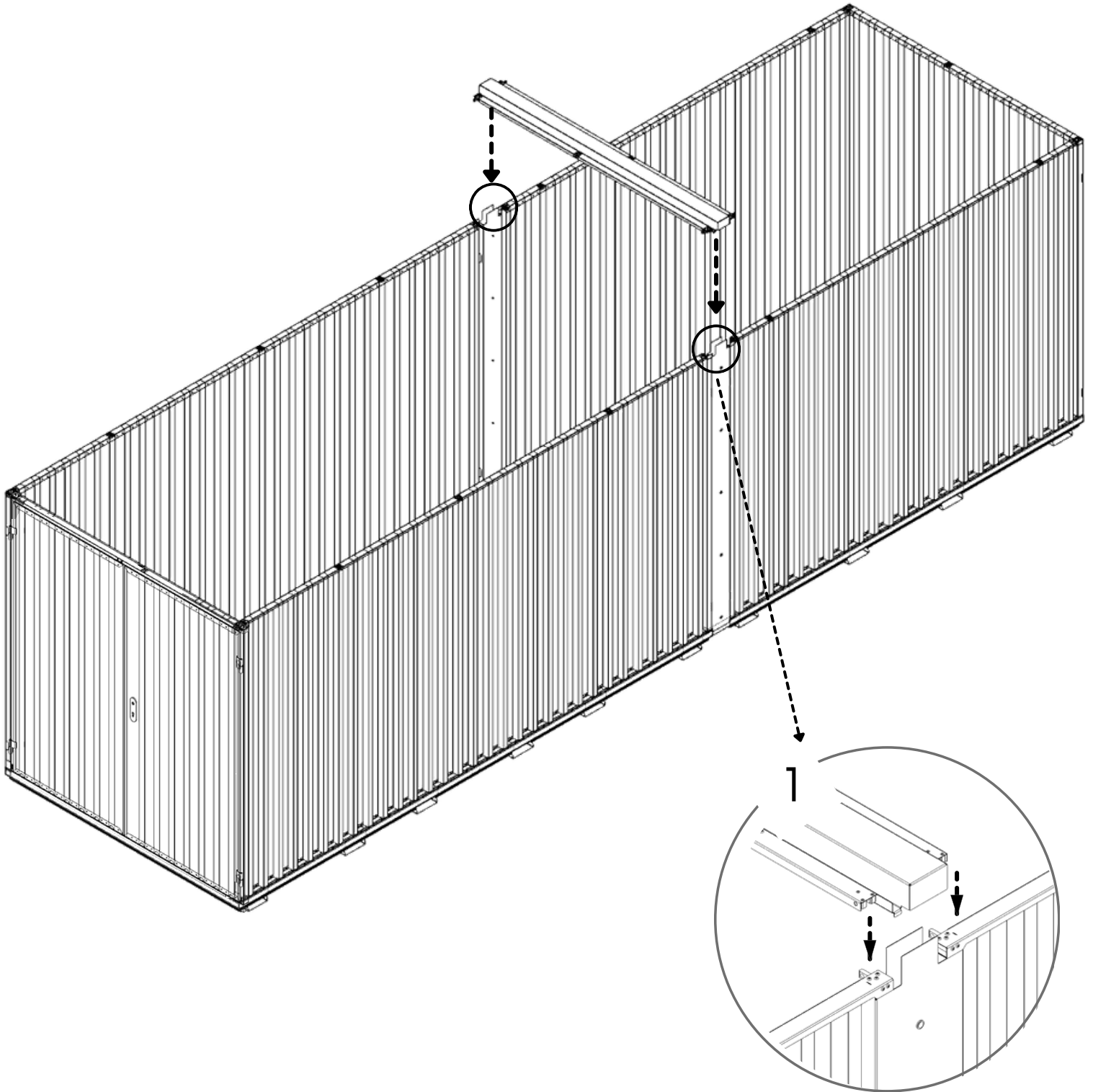
8



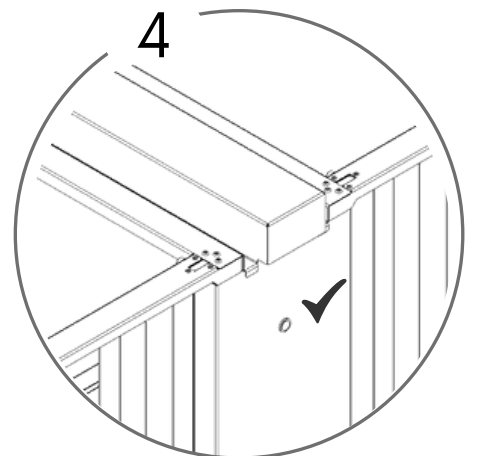
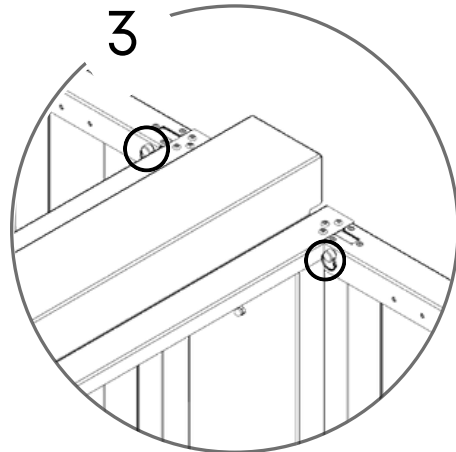
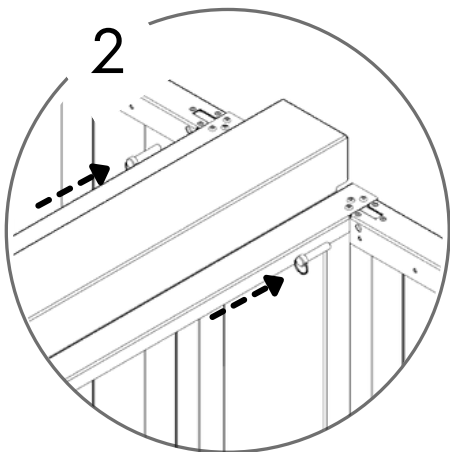
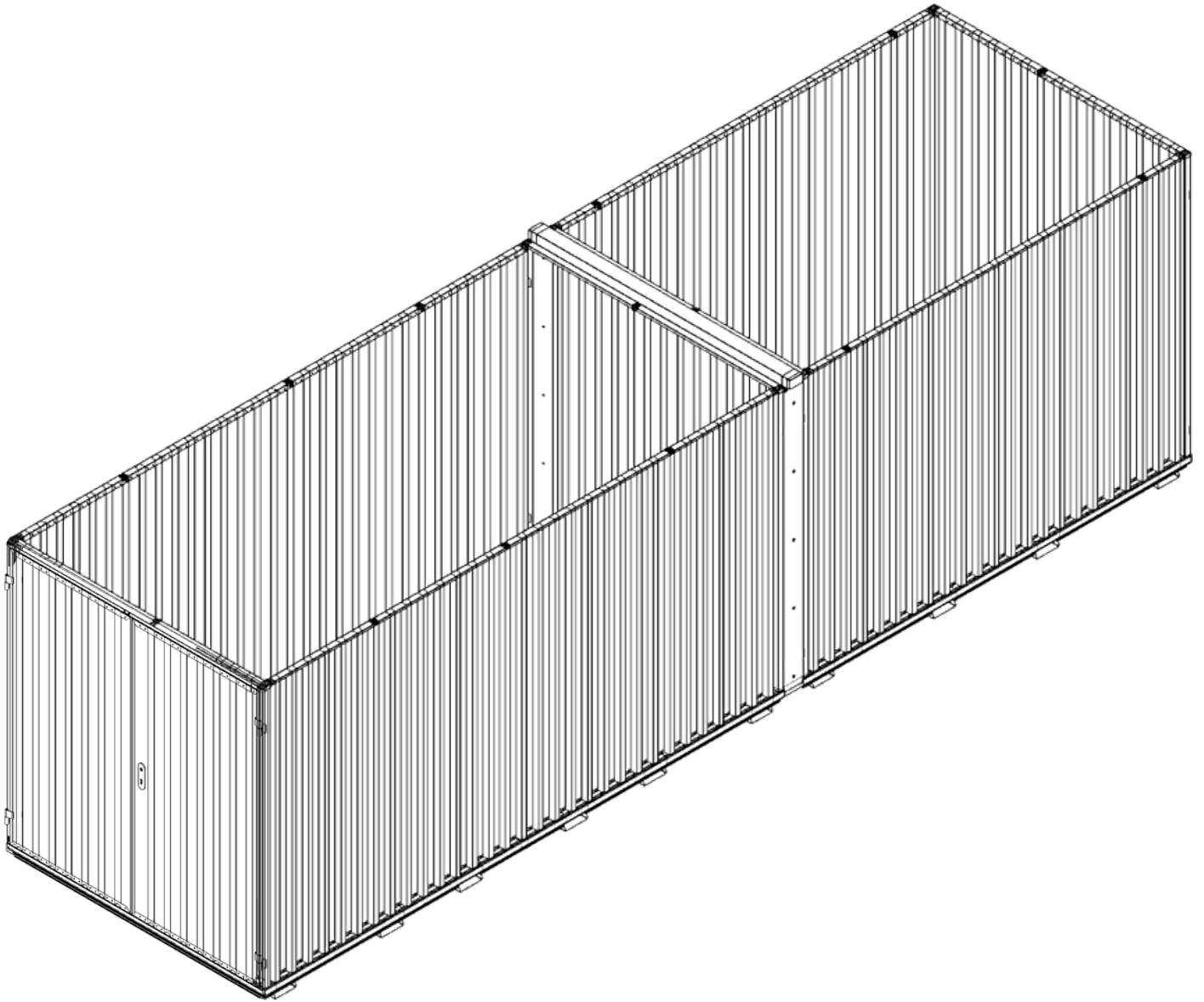
9












# 10

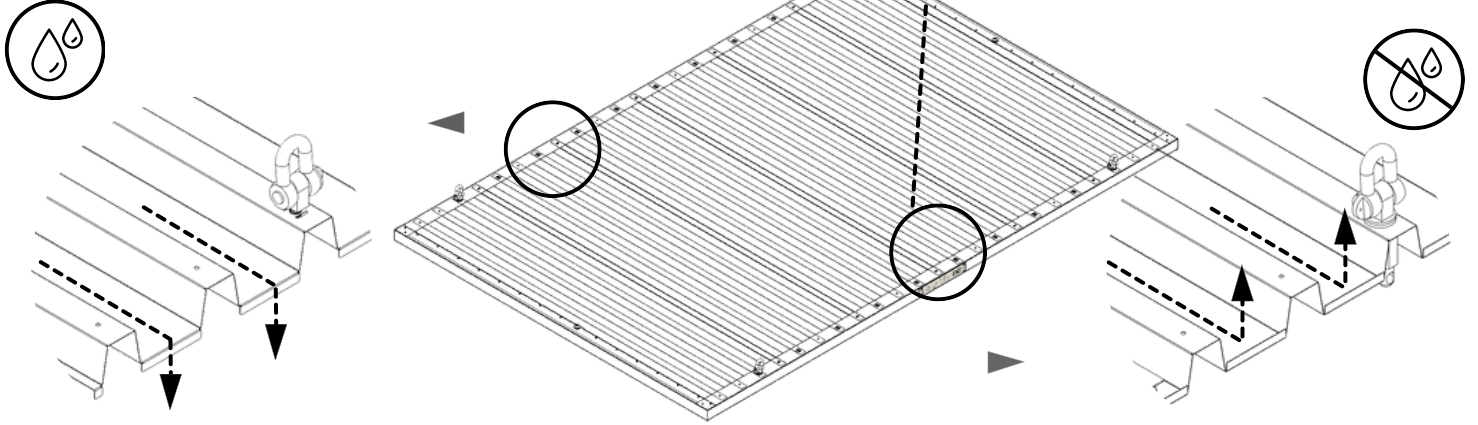


# 11

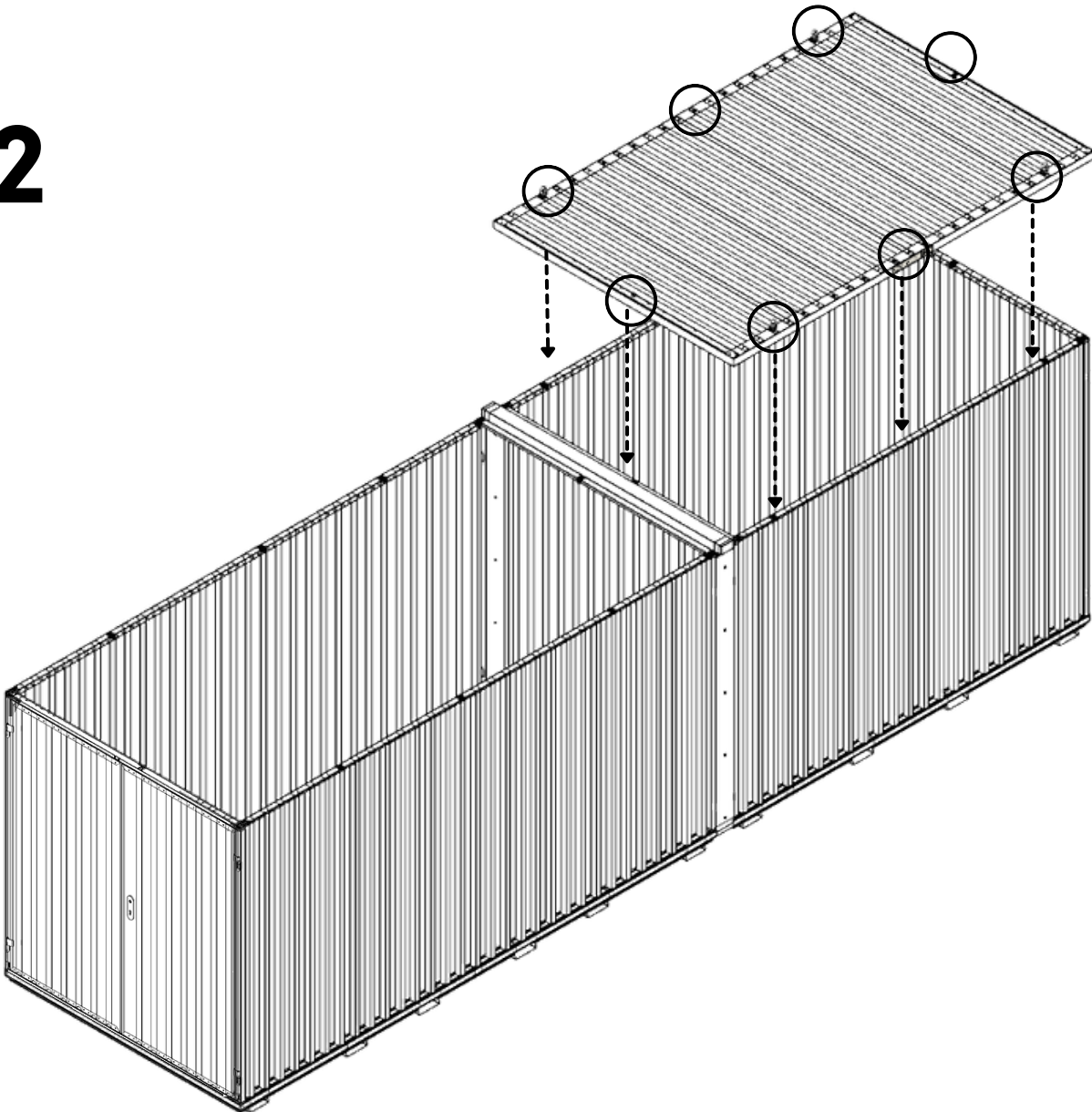




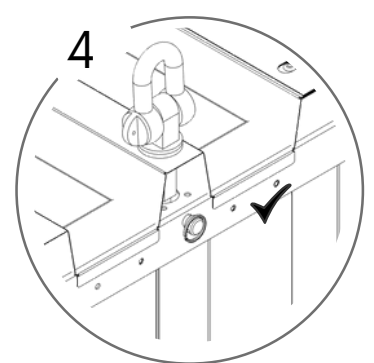
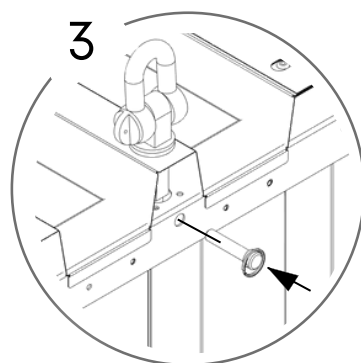
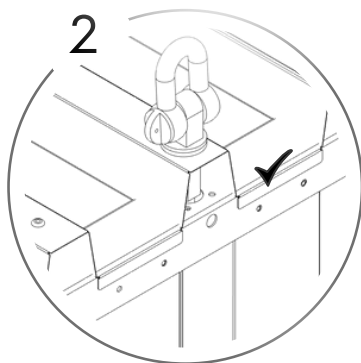
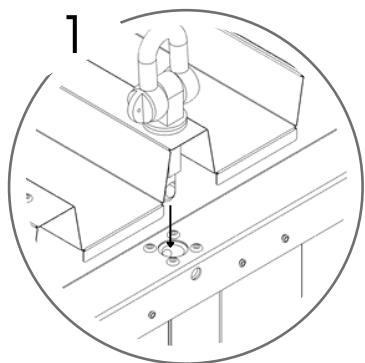
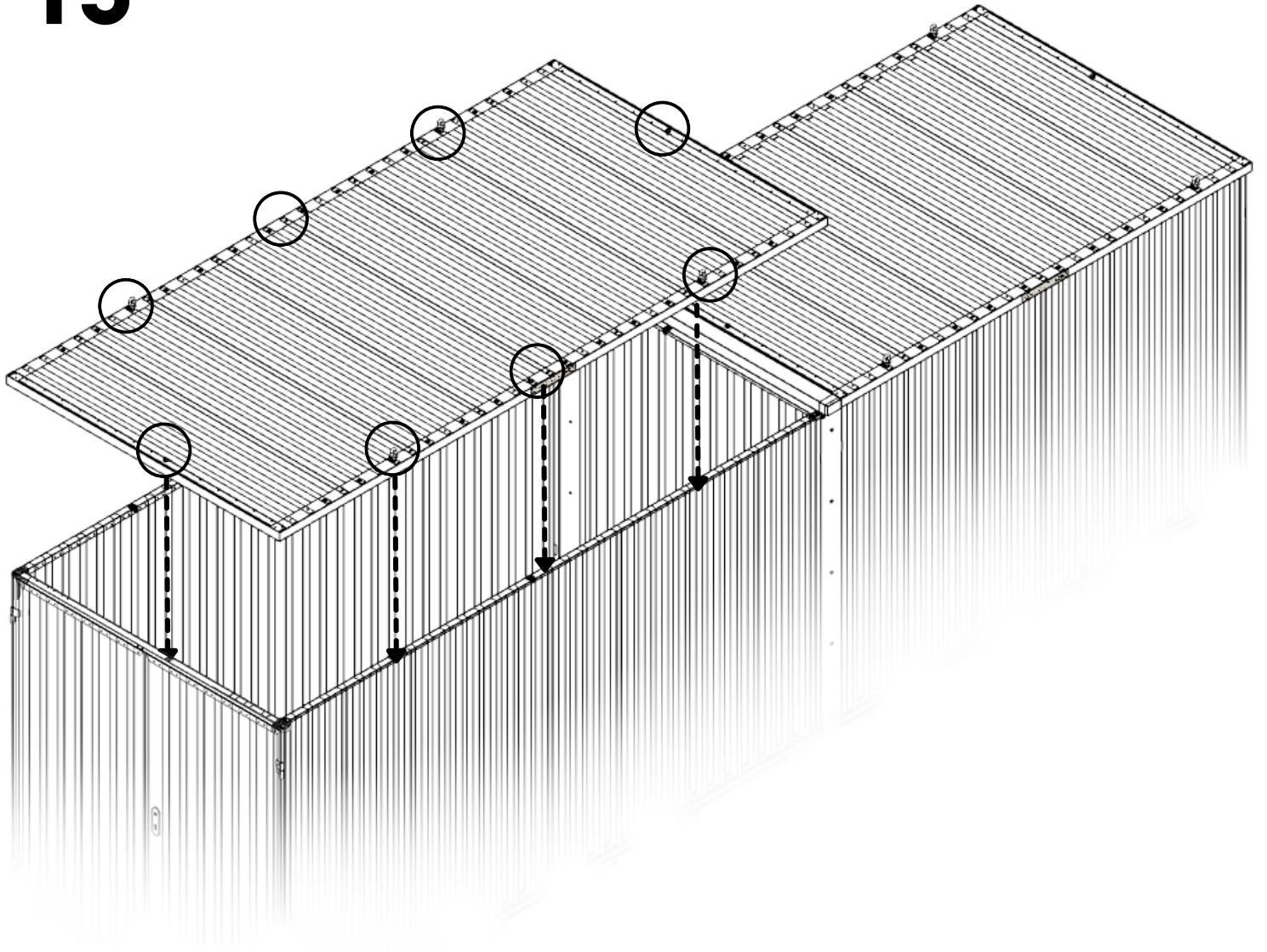
 336 KG	 3 TON	 1640 MM	Model Code: 30.110.440 Production Tracking Code: .....X09.1.30.440  9001  14001  50001	  
---	--	--	--	---



12

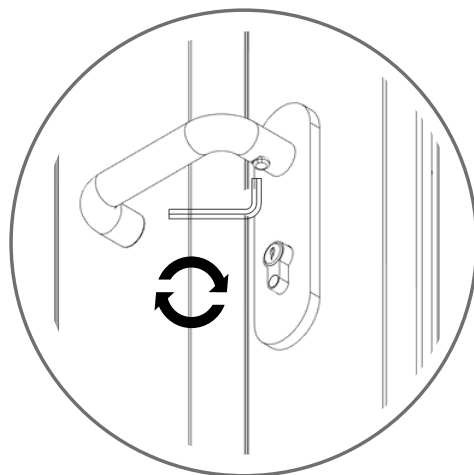
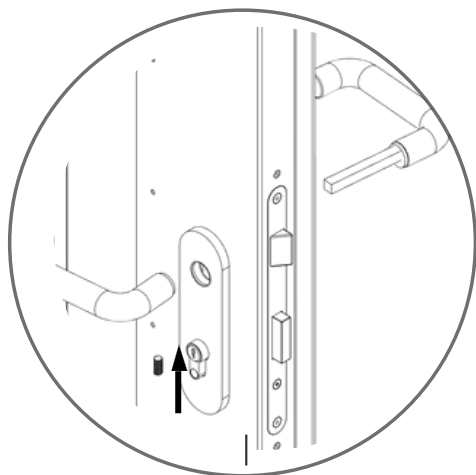
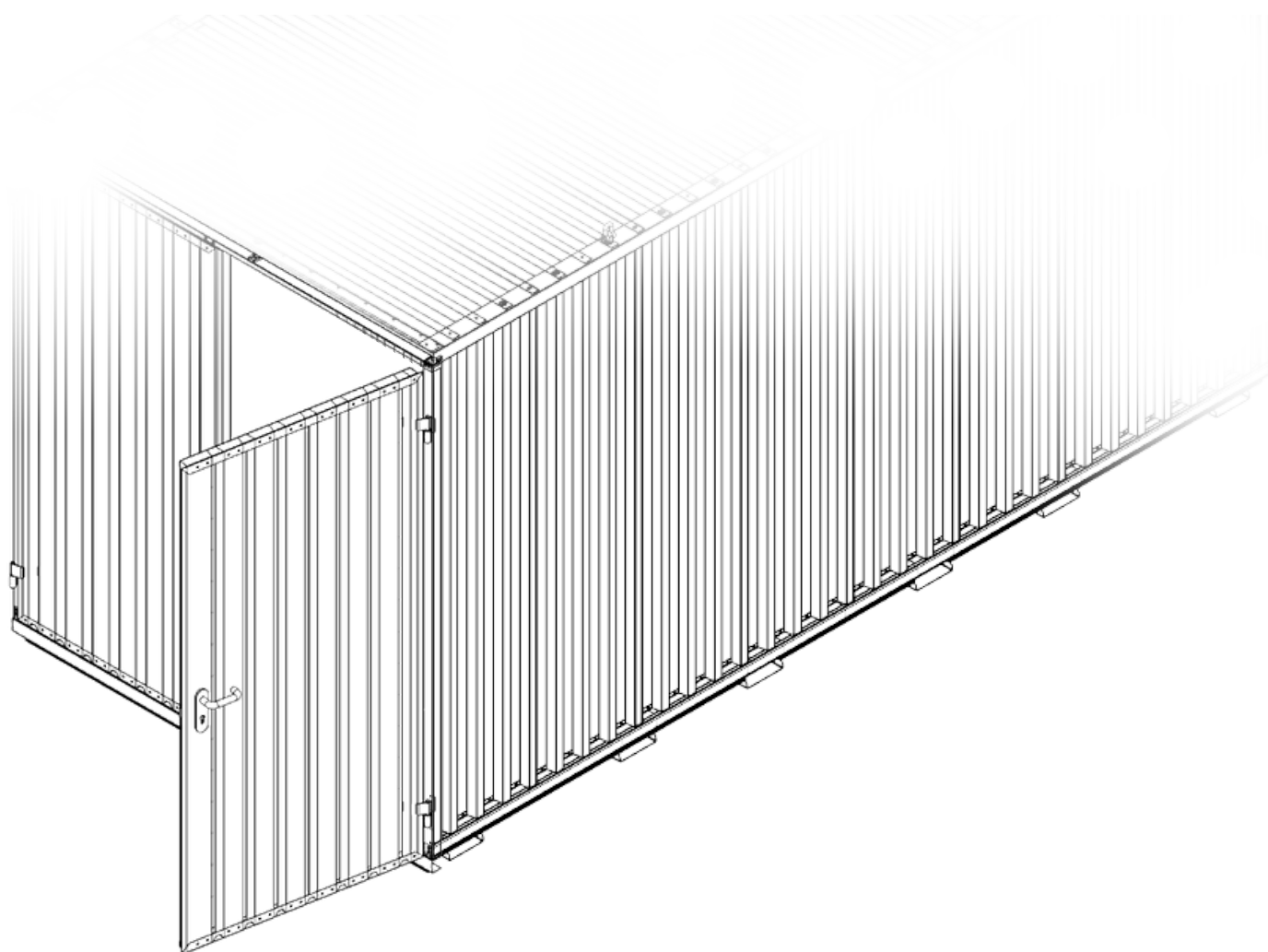


# 13





# 14



# 15

