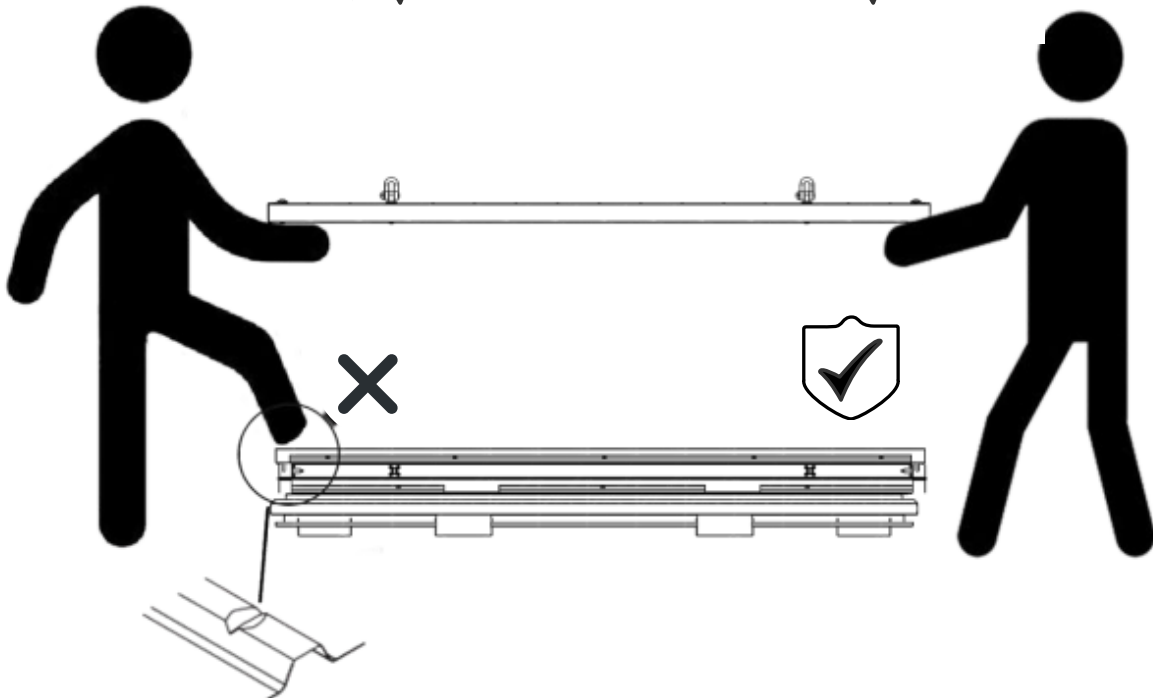
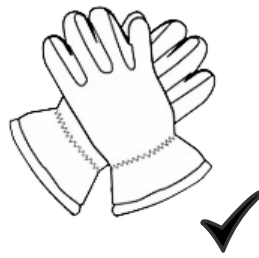


PRODUCT CODE:4044.110.440

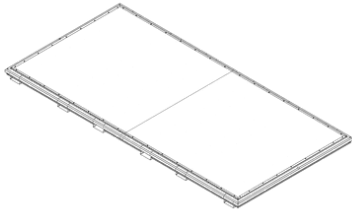
**prefabase**  
Quick Build Solutions

Instructions and User Guide



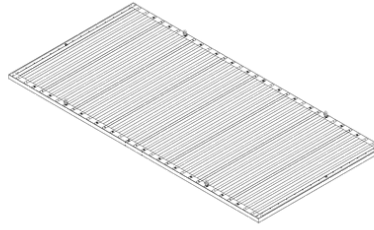
40.0110

3x



40.0510

3x



404.0110

2x



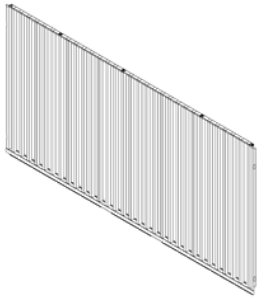
404.0510

2x



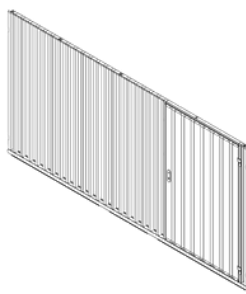
40.0410

1x



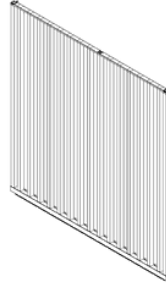
40.0440

1x



0310

6x



305.20.08

4x



305.20.09

4x

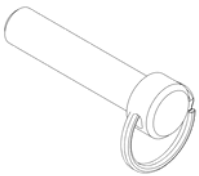


61.101

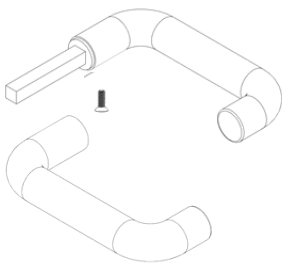
4x



36x



1x



20x



20x



20x



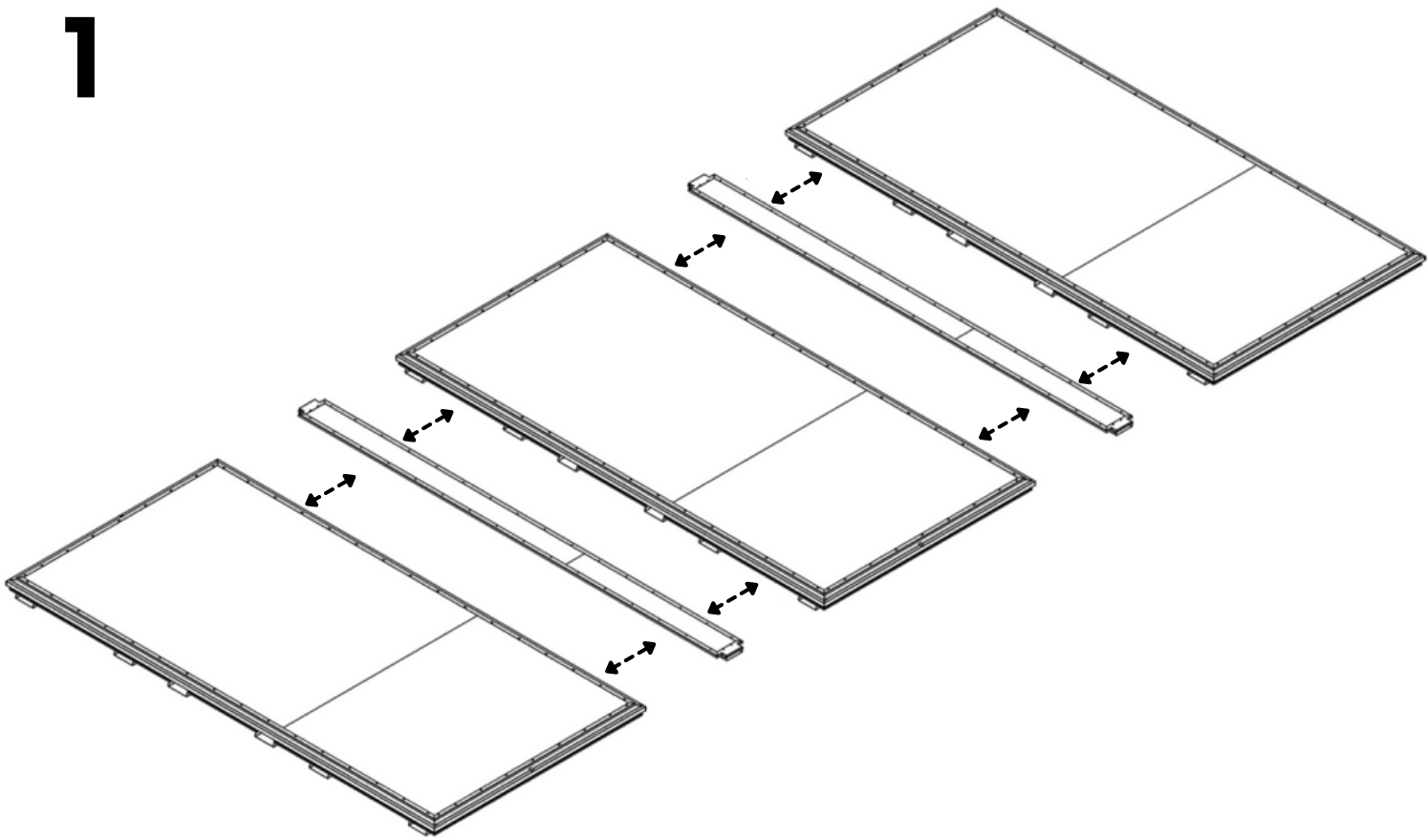
1x



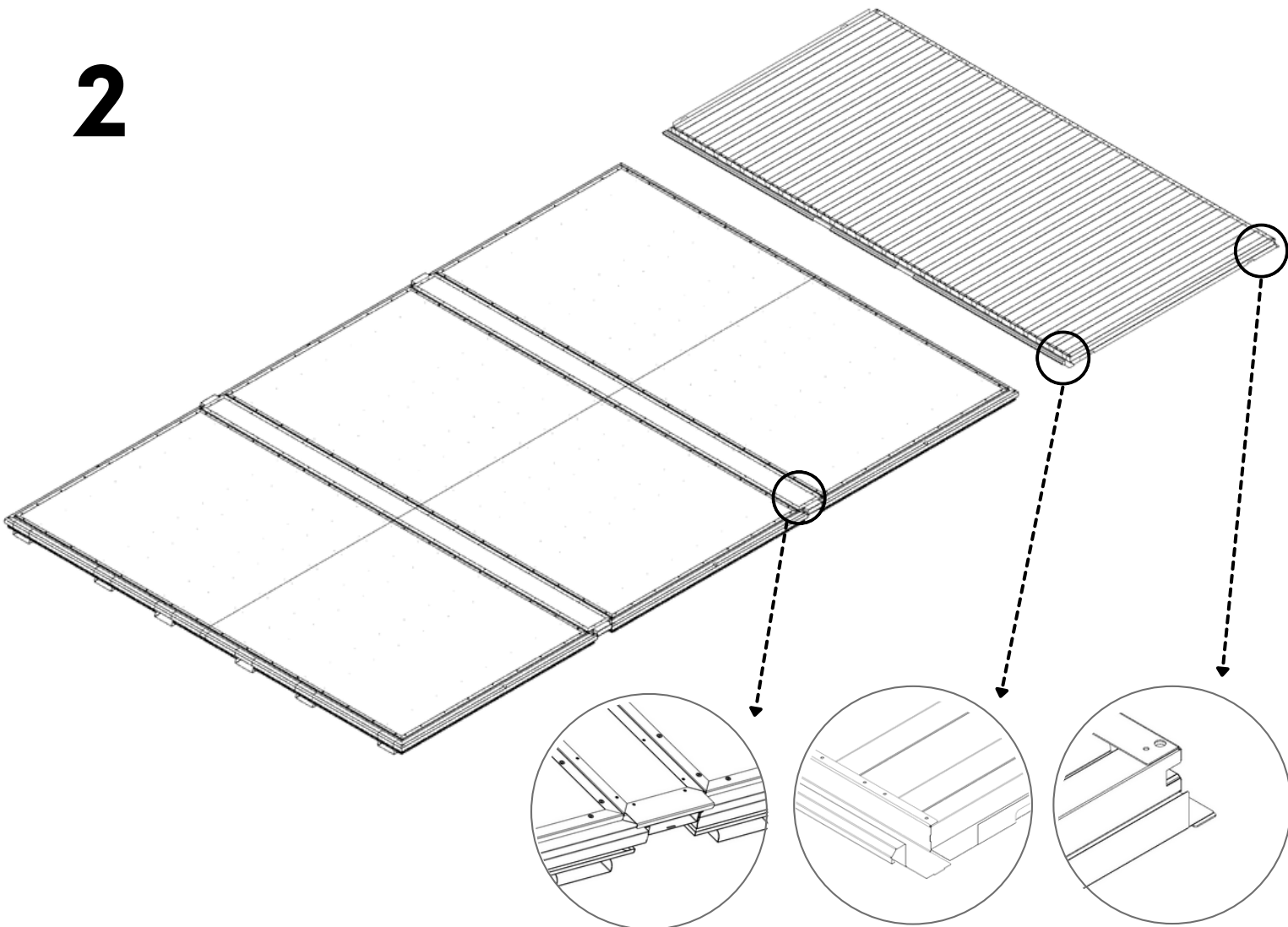
1x

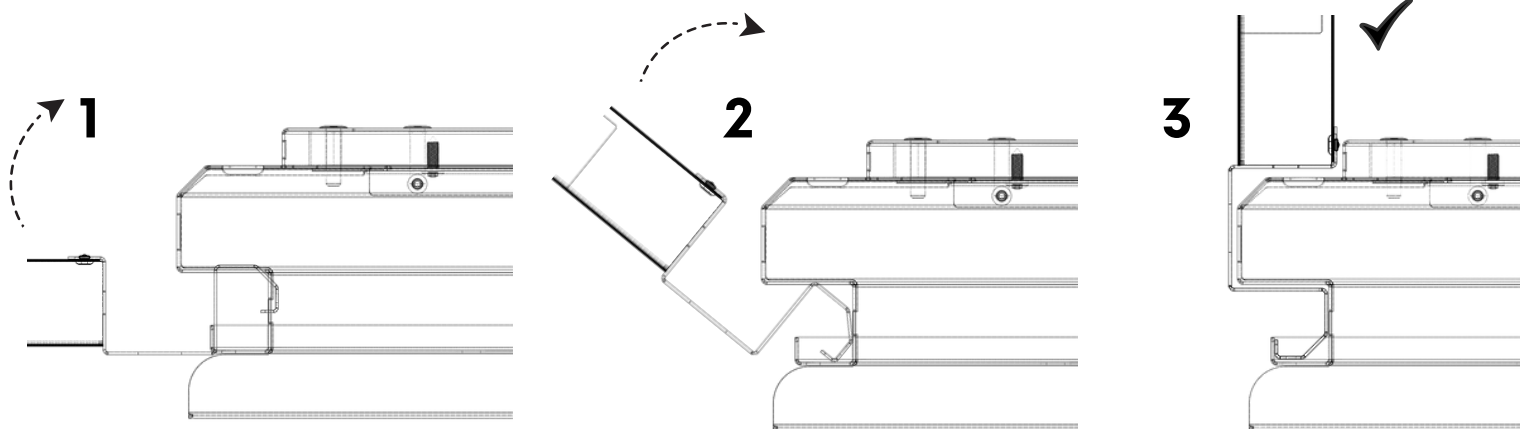


**1**

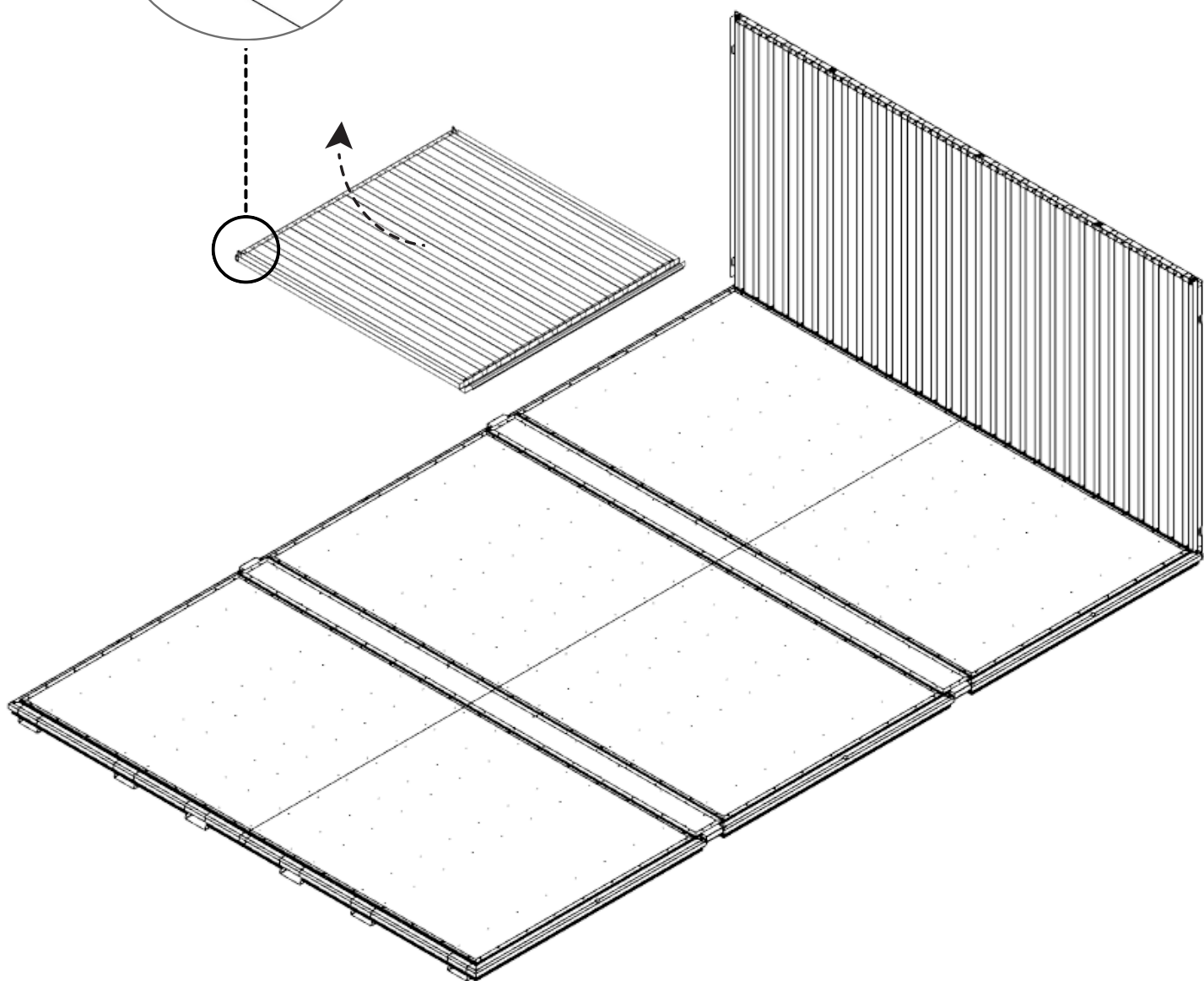
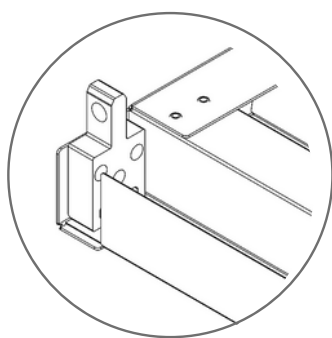


**2**



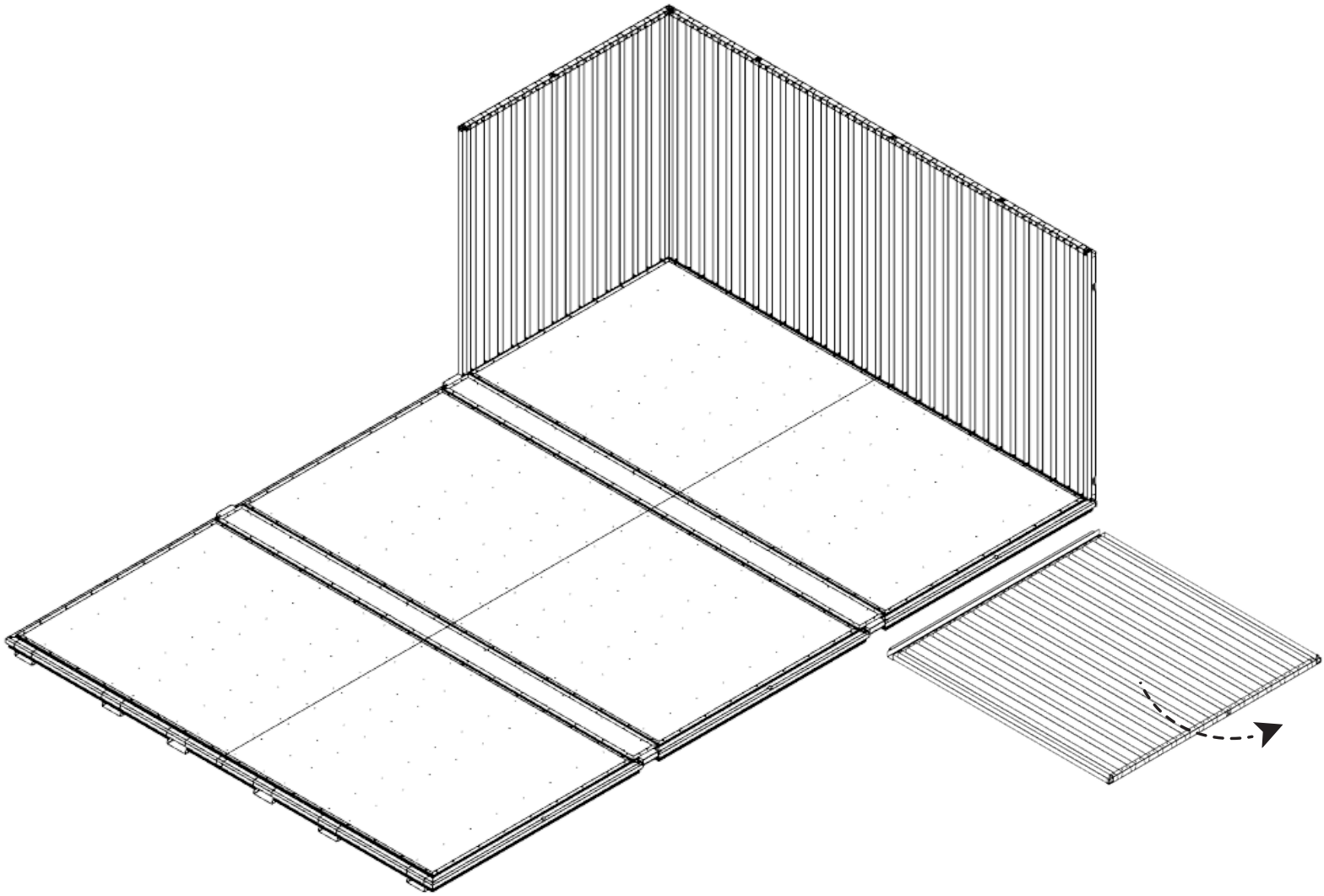


**3**

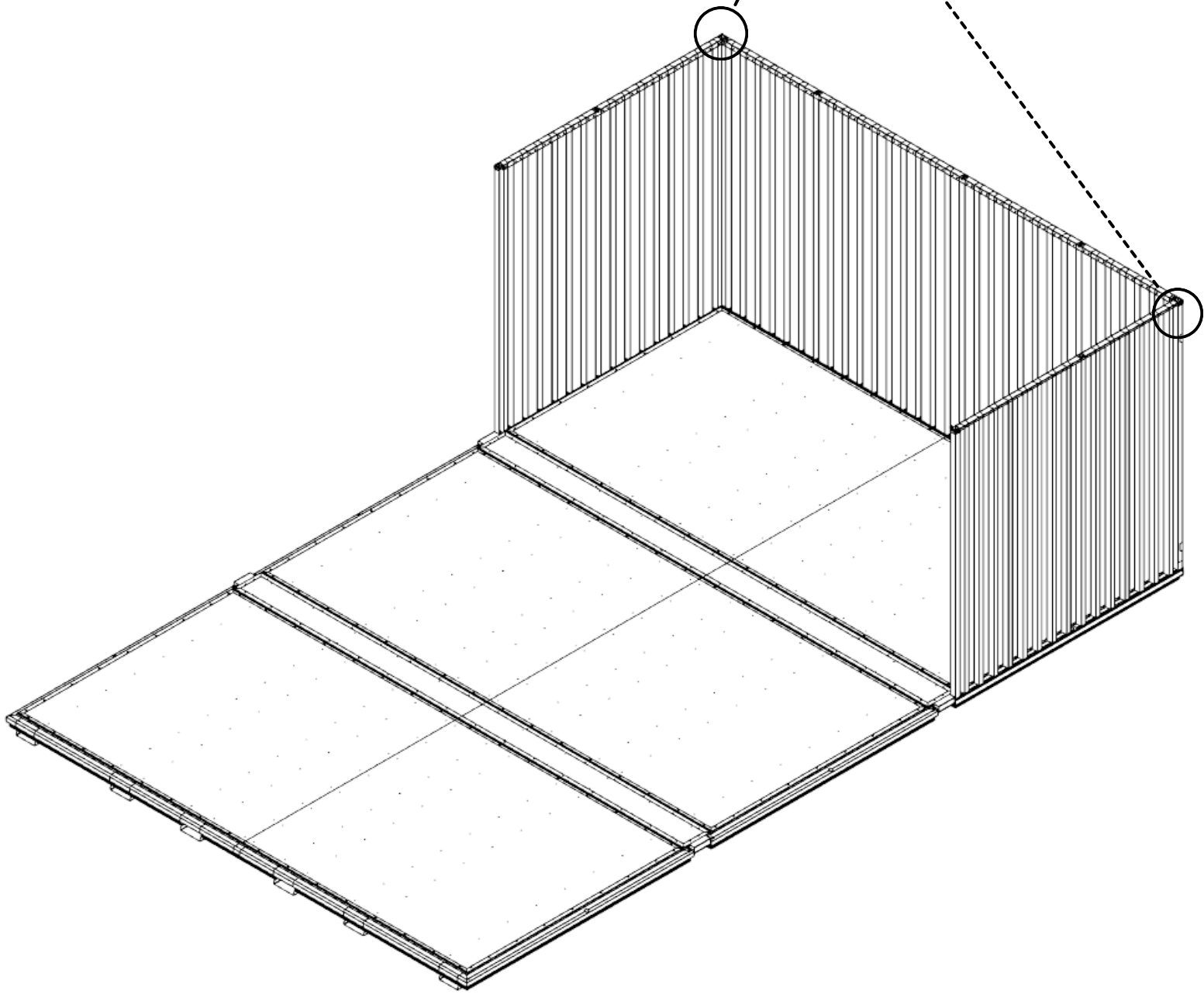
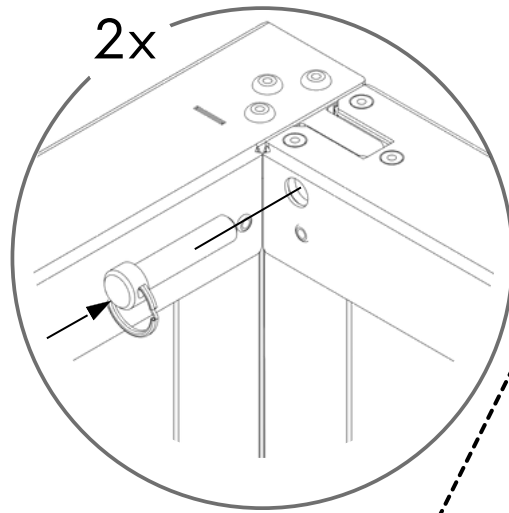




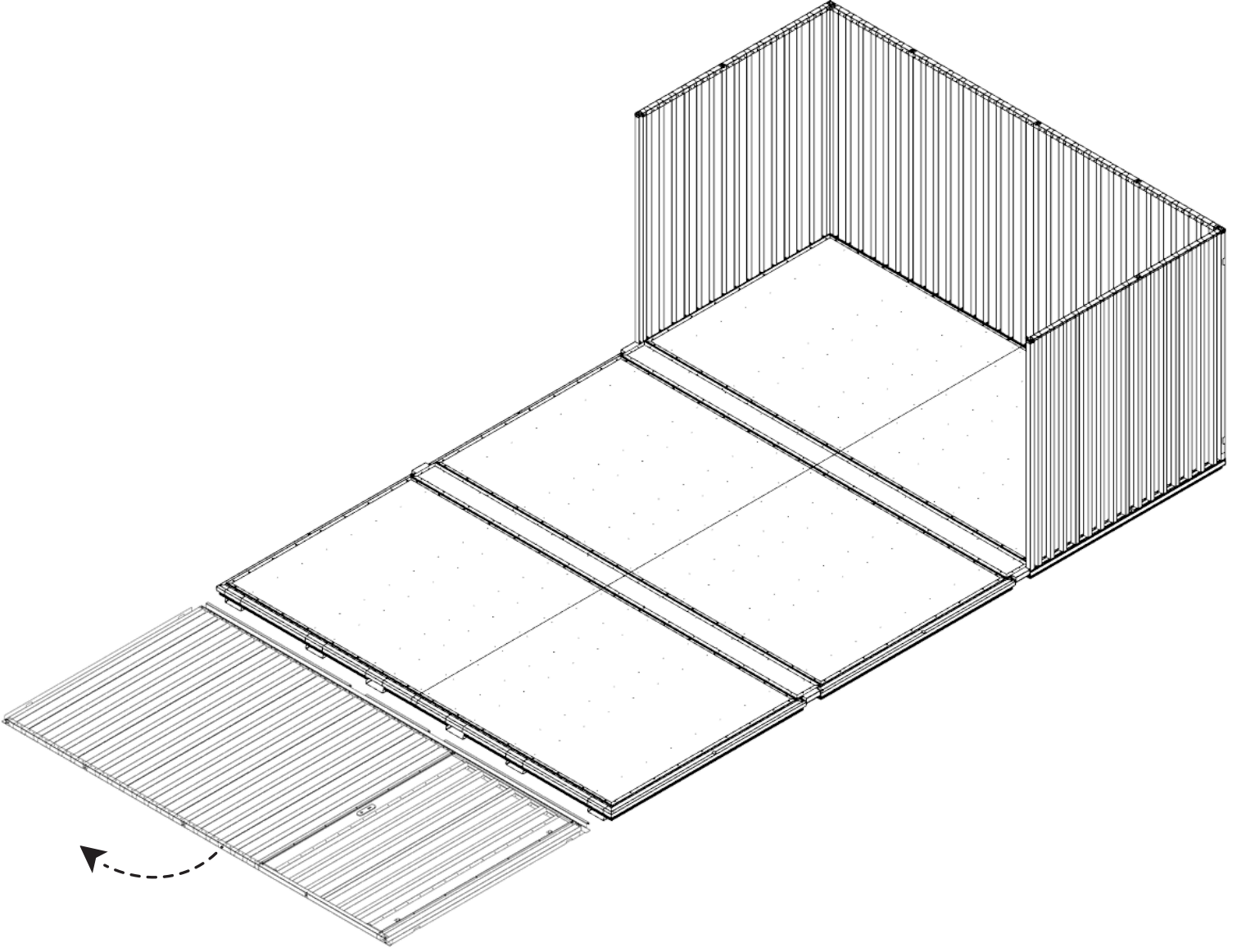
4



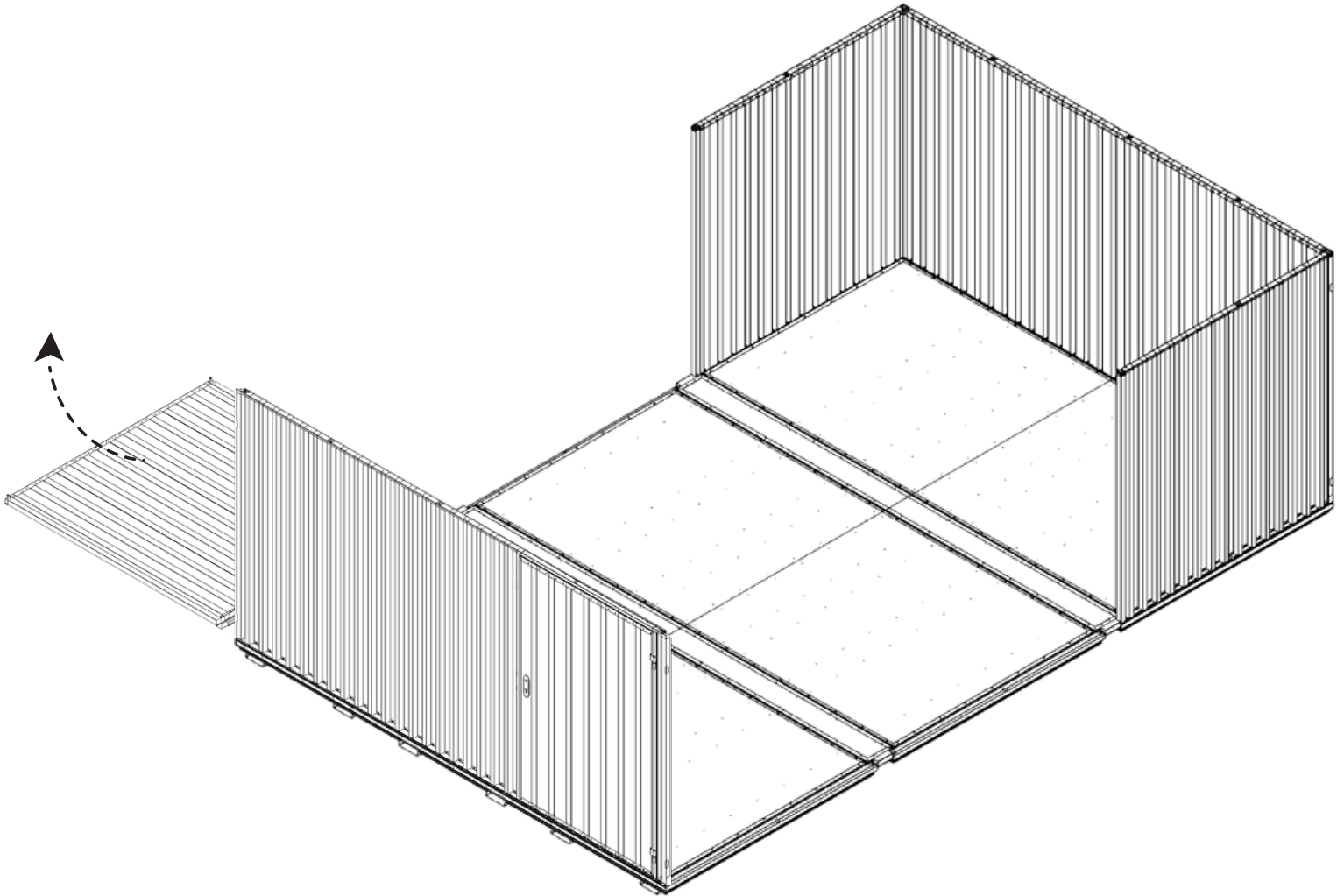
# 4.1



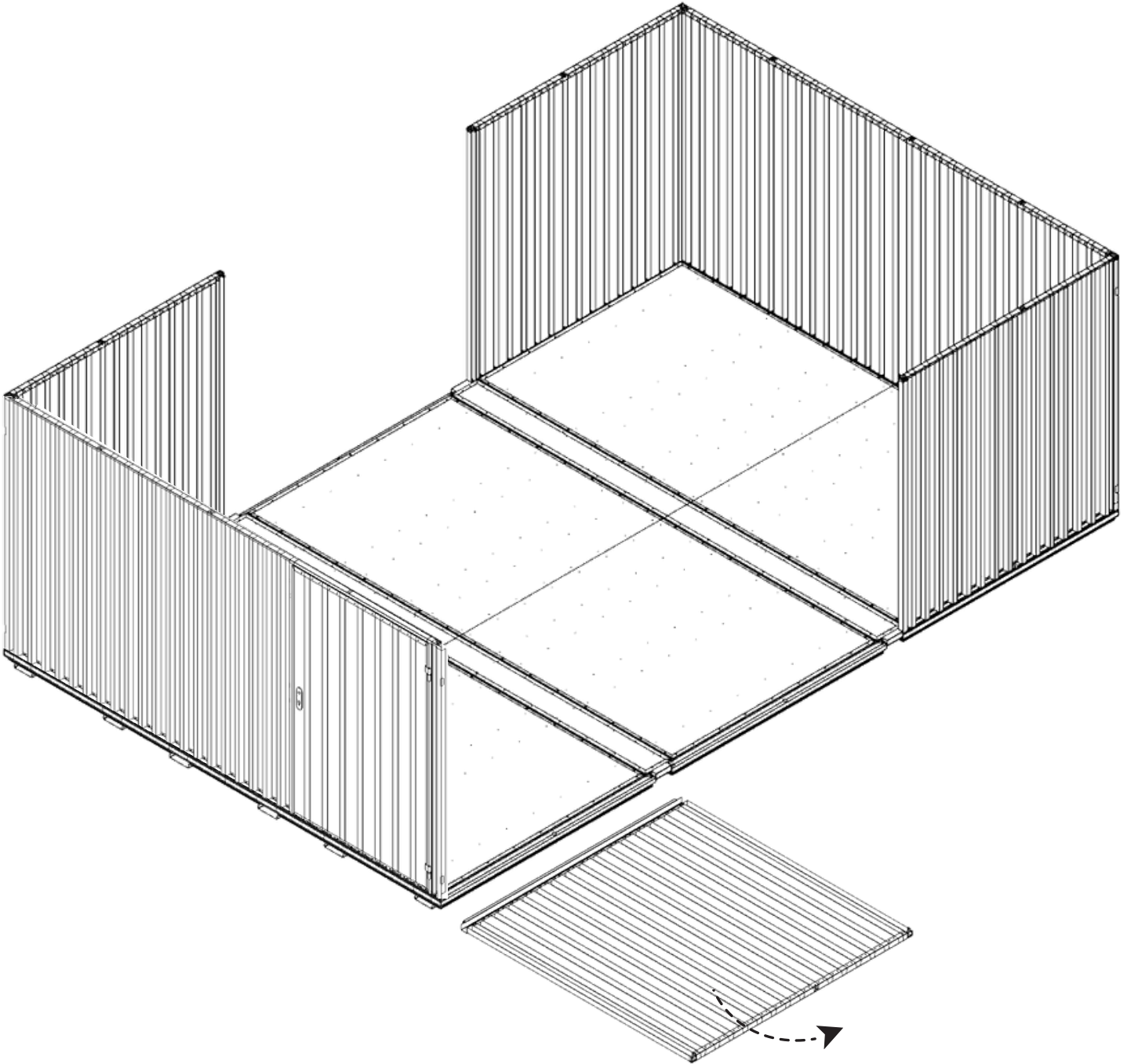
5



6

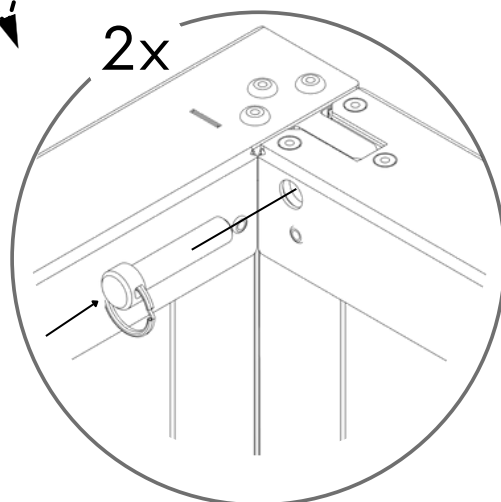
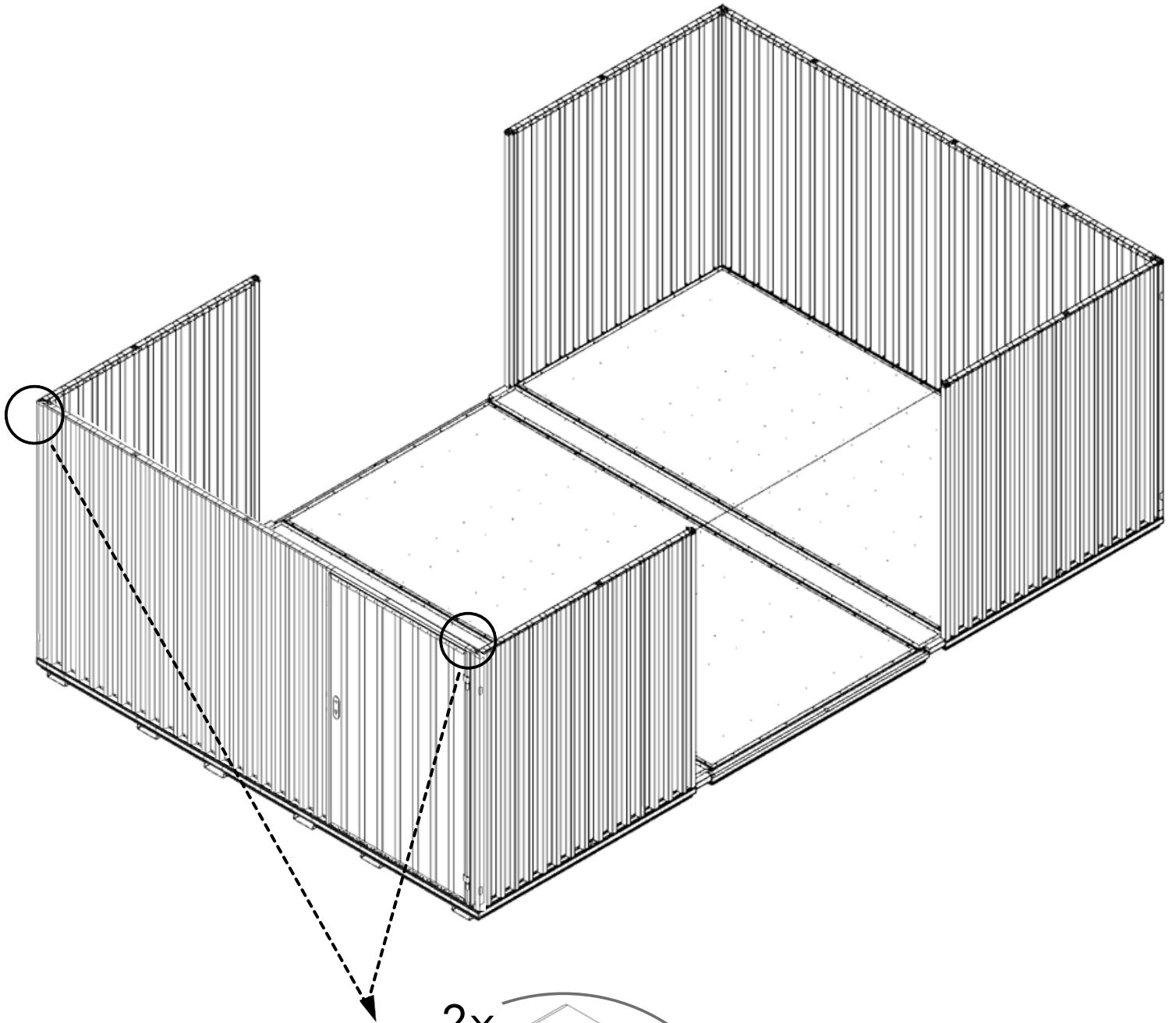


7

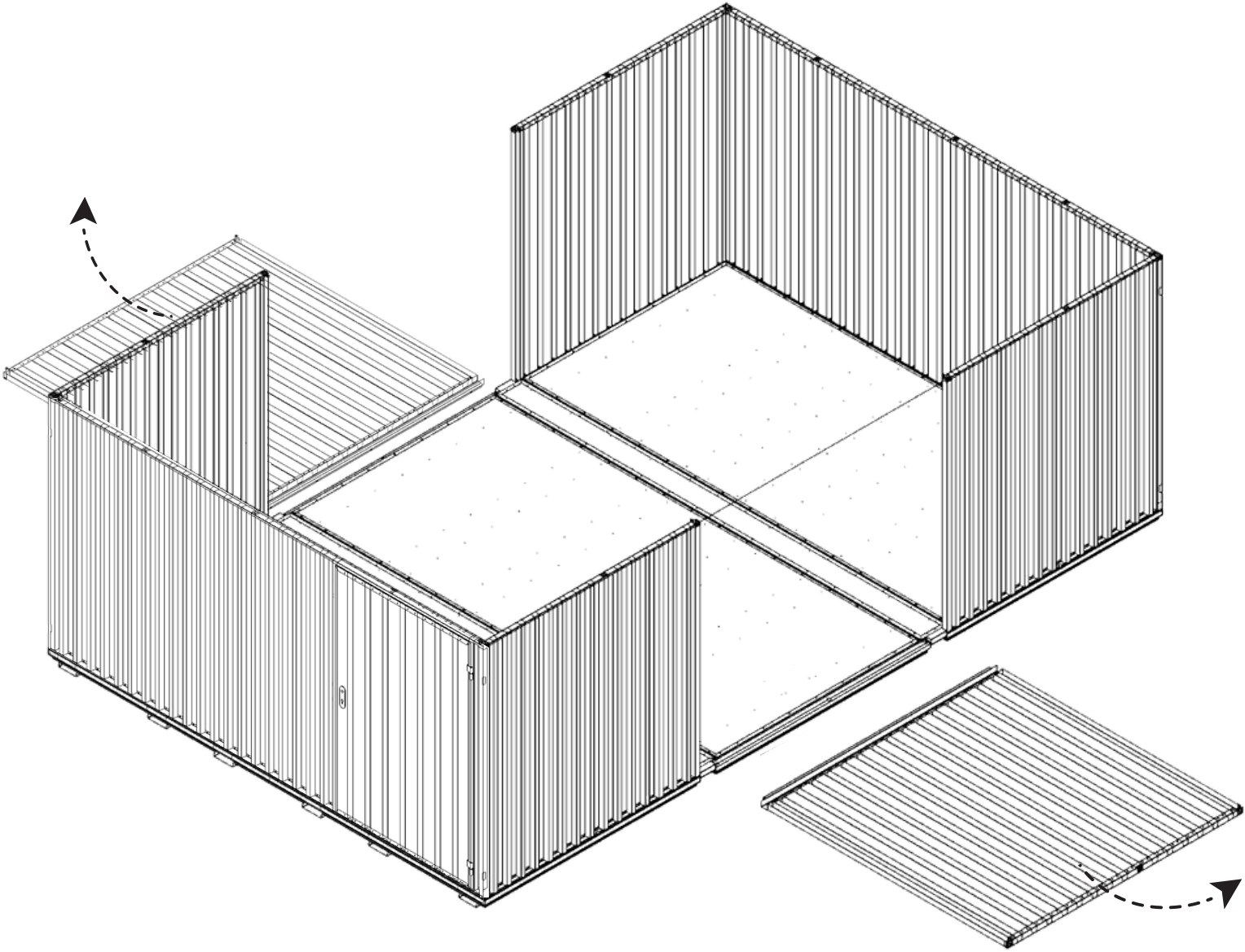




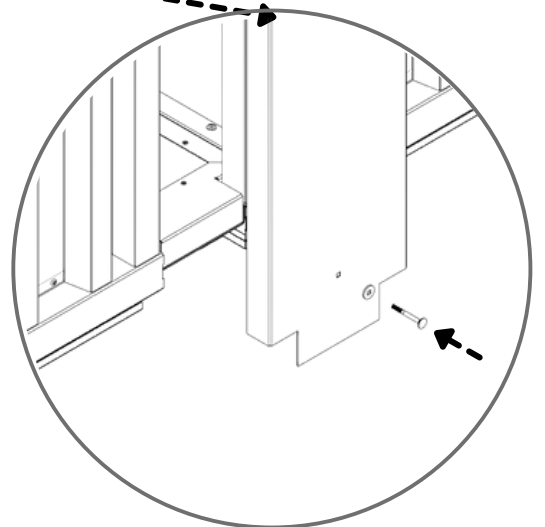
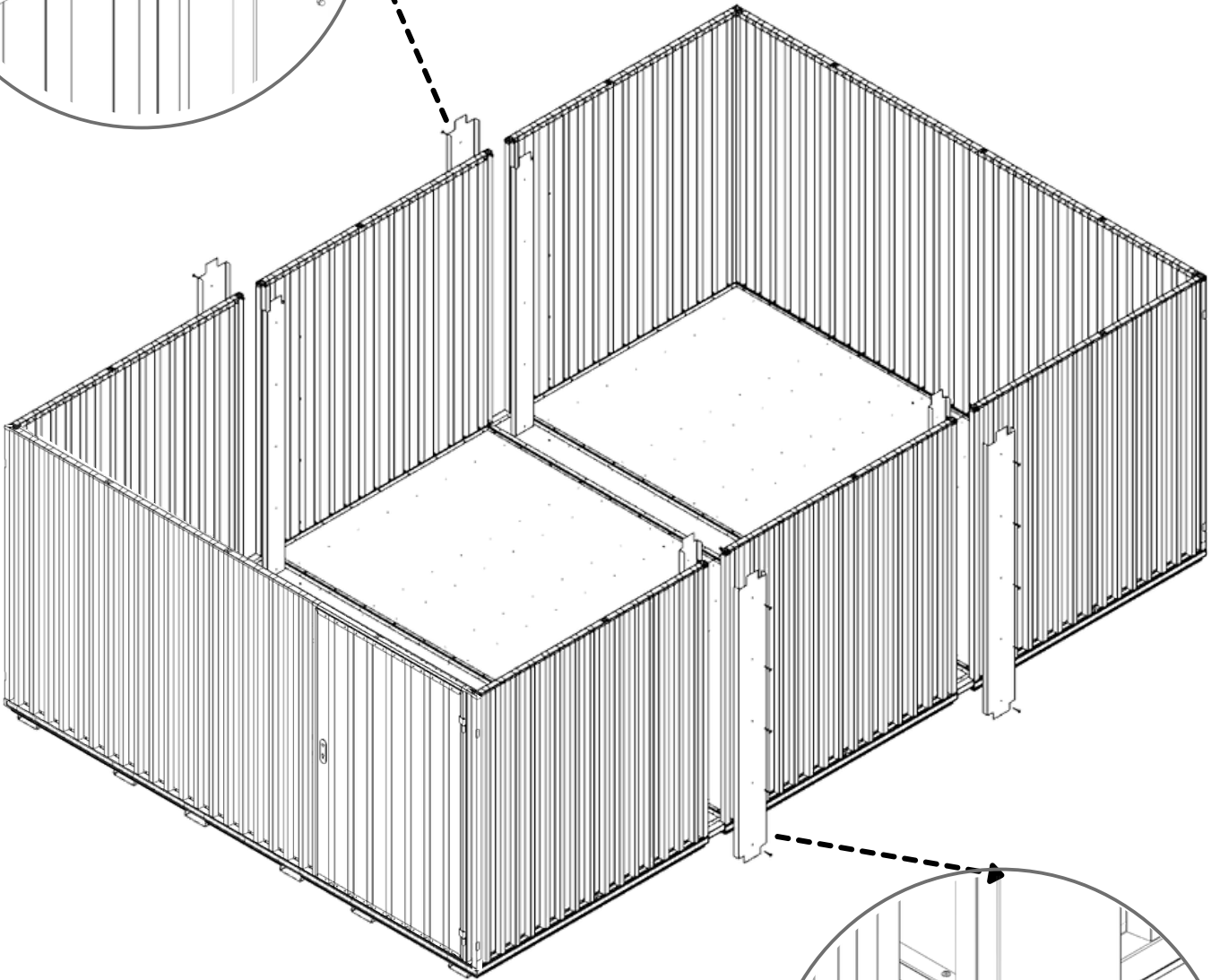
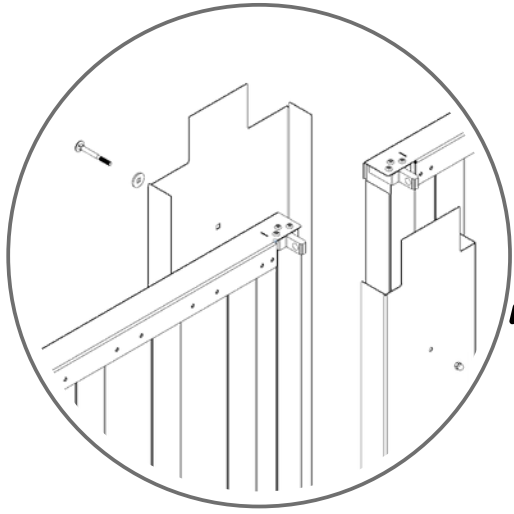
# 7.1



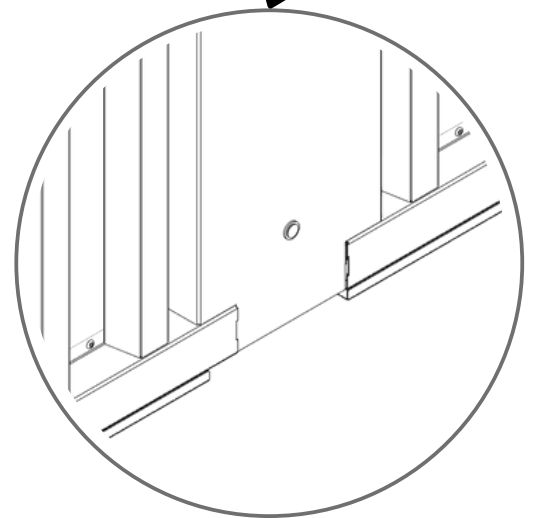
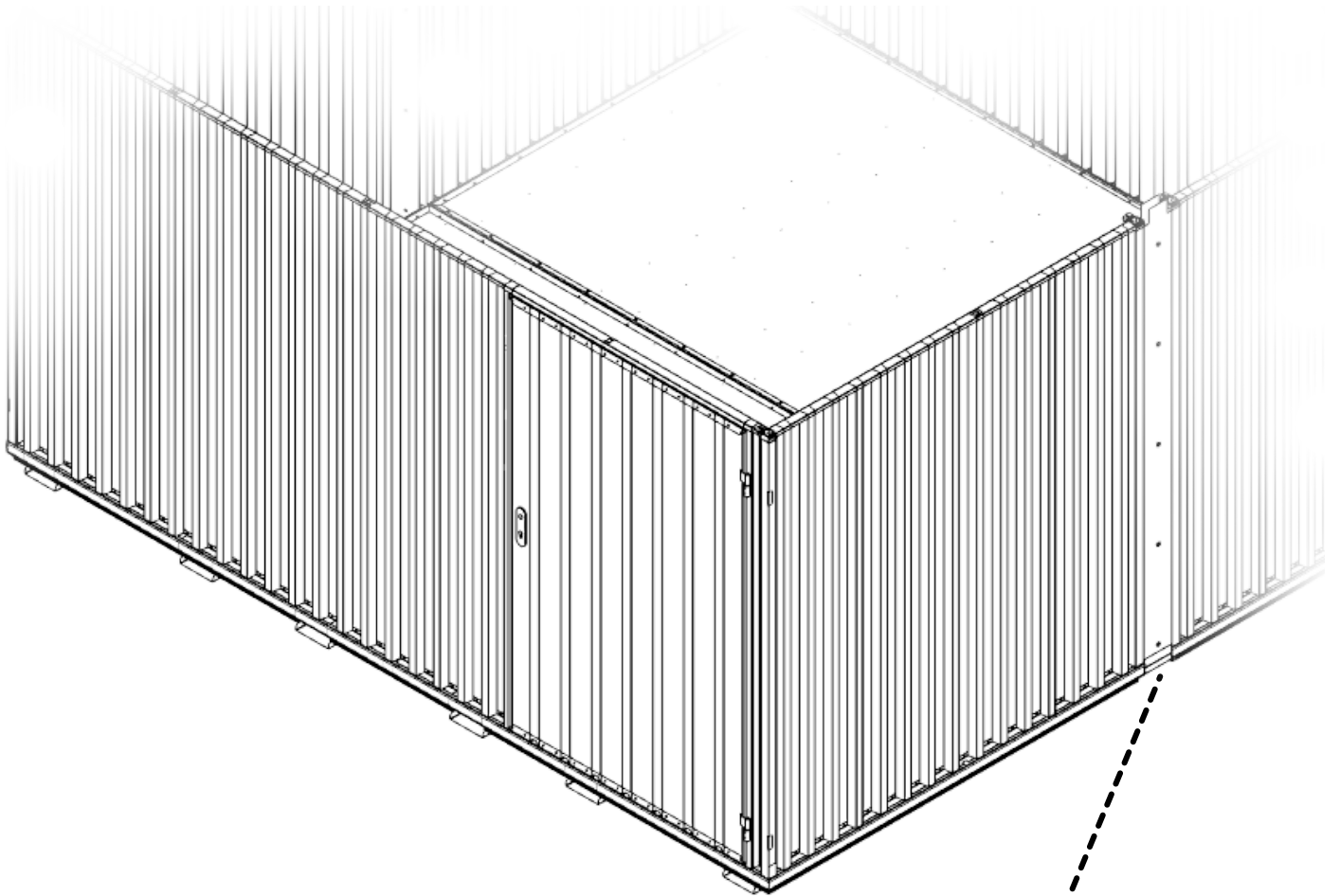
8



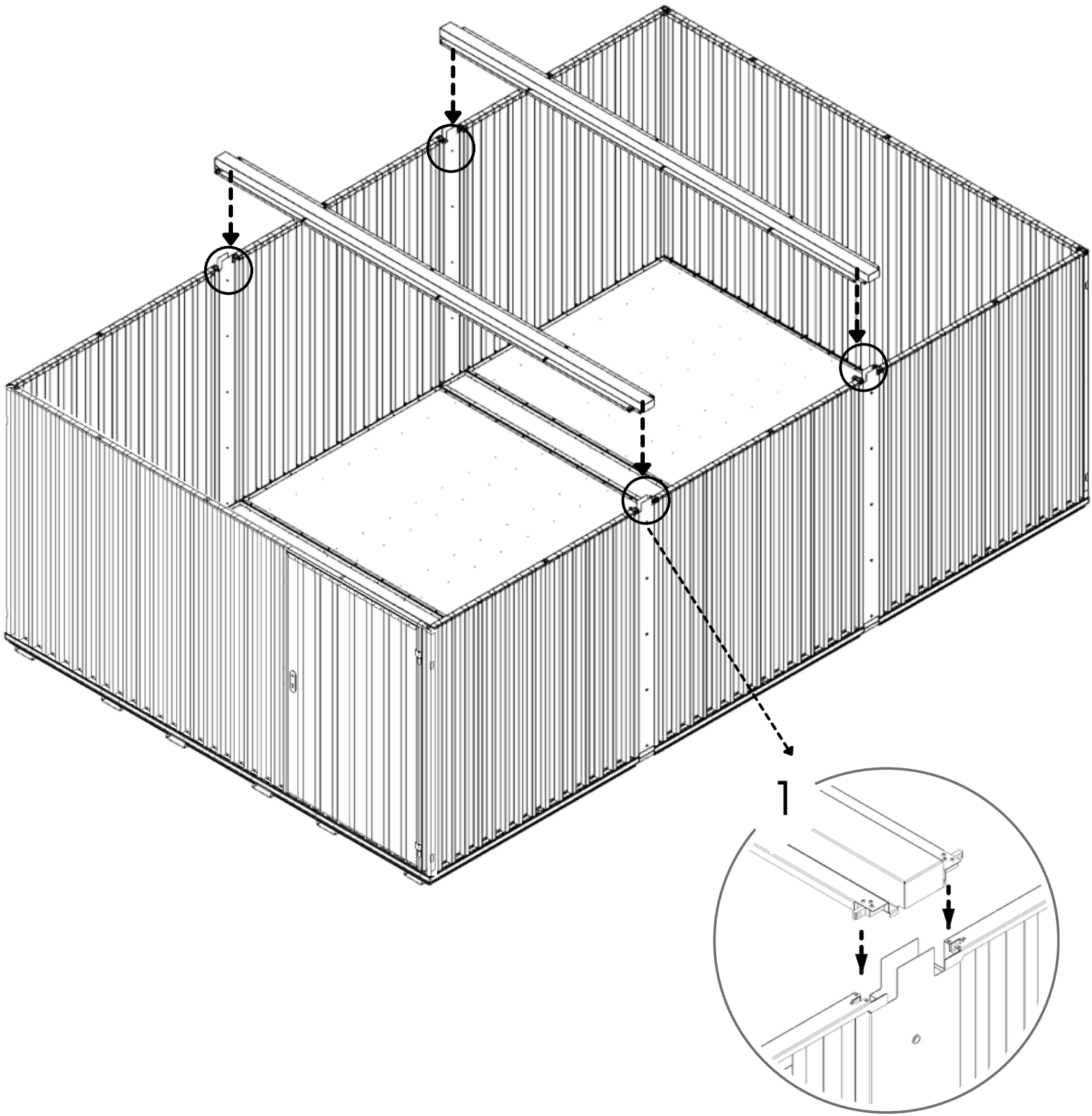
9



# 10

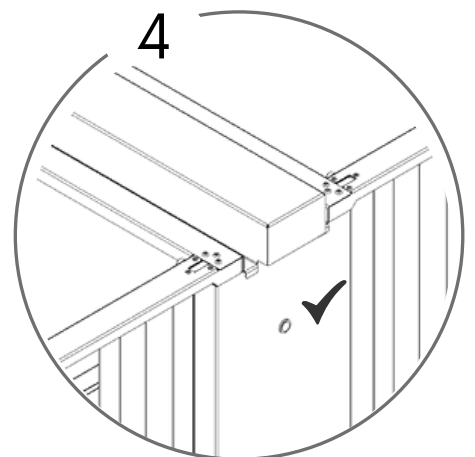
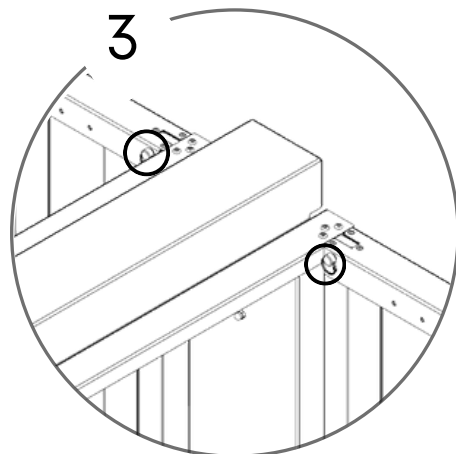
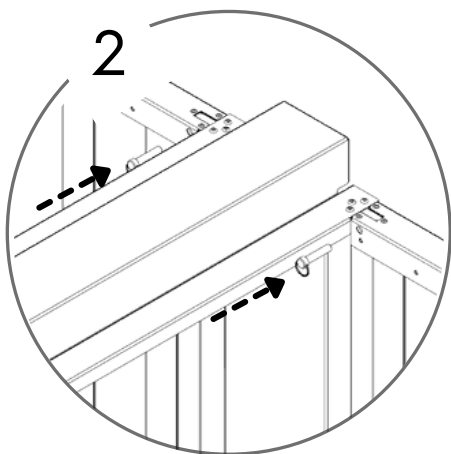
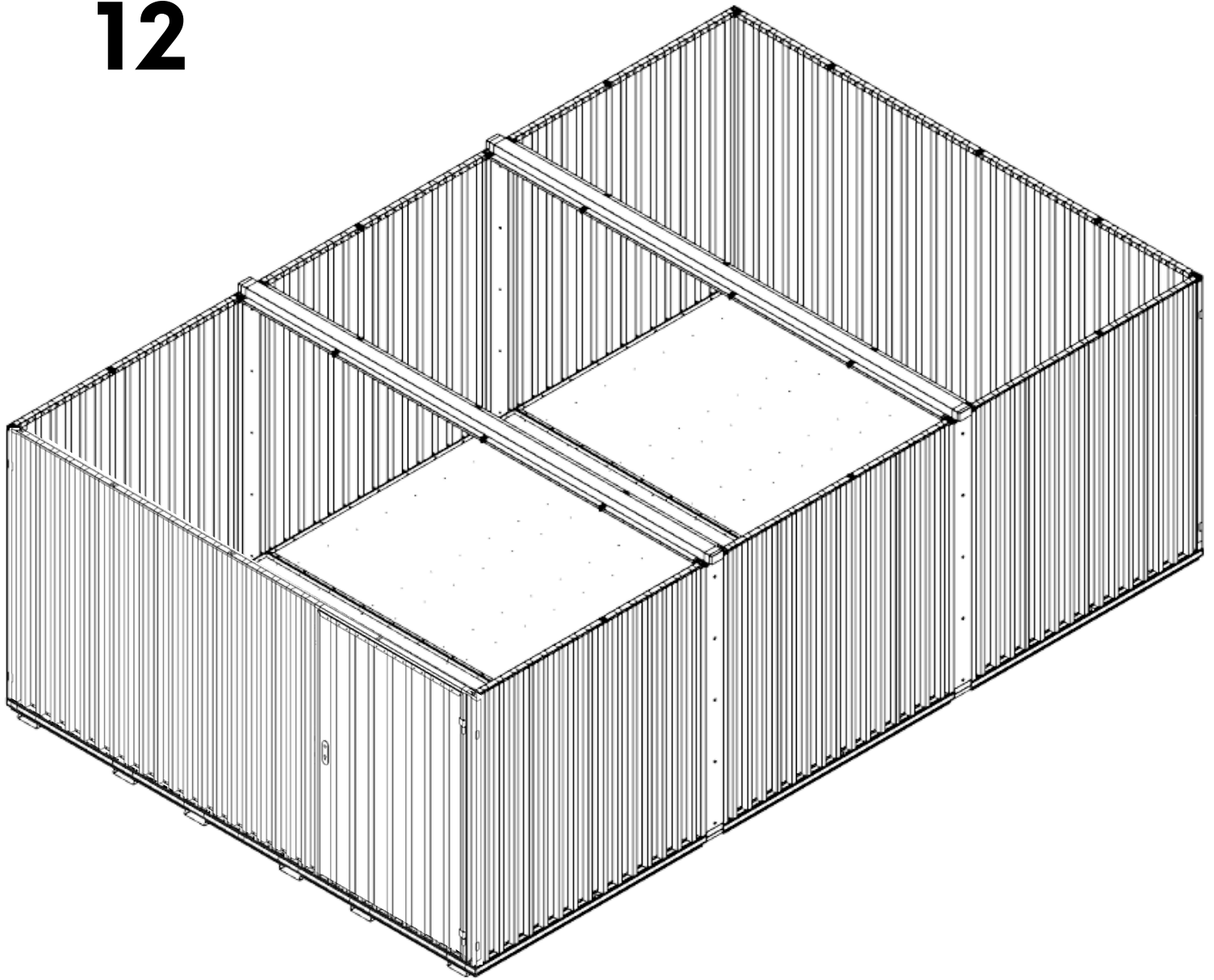


# 11











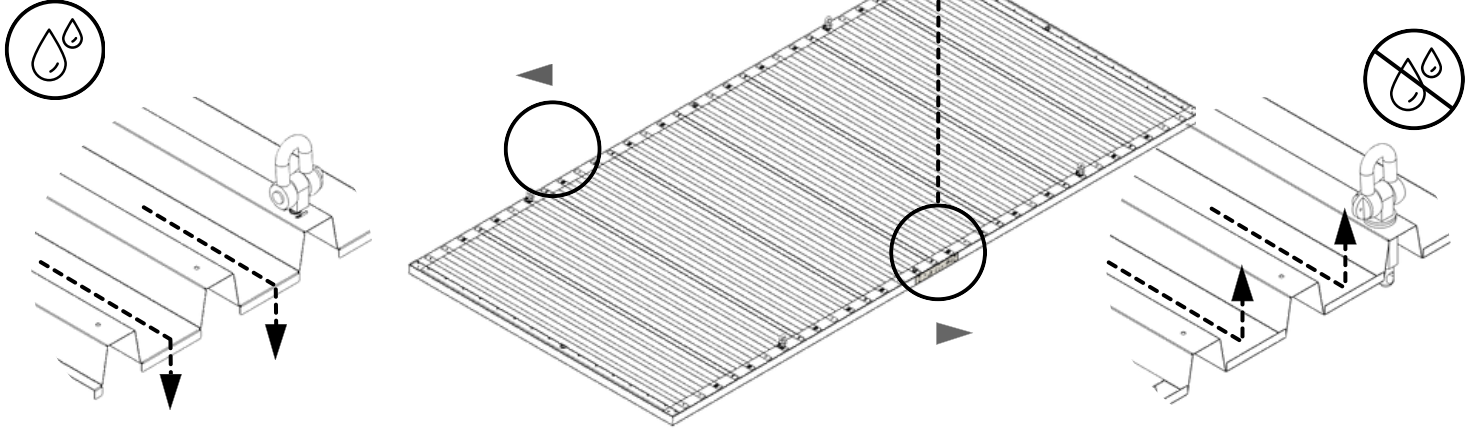


# 12

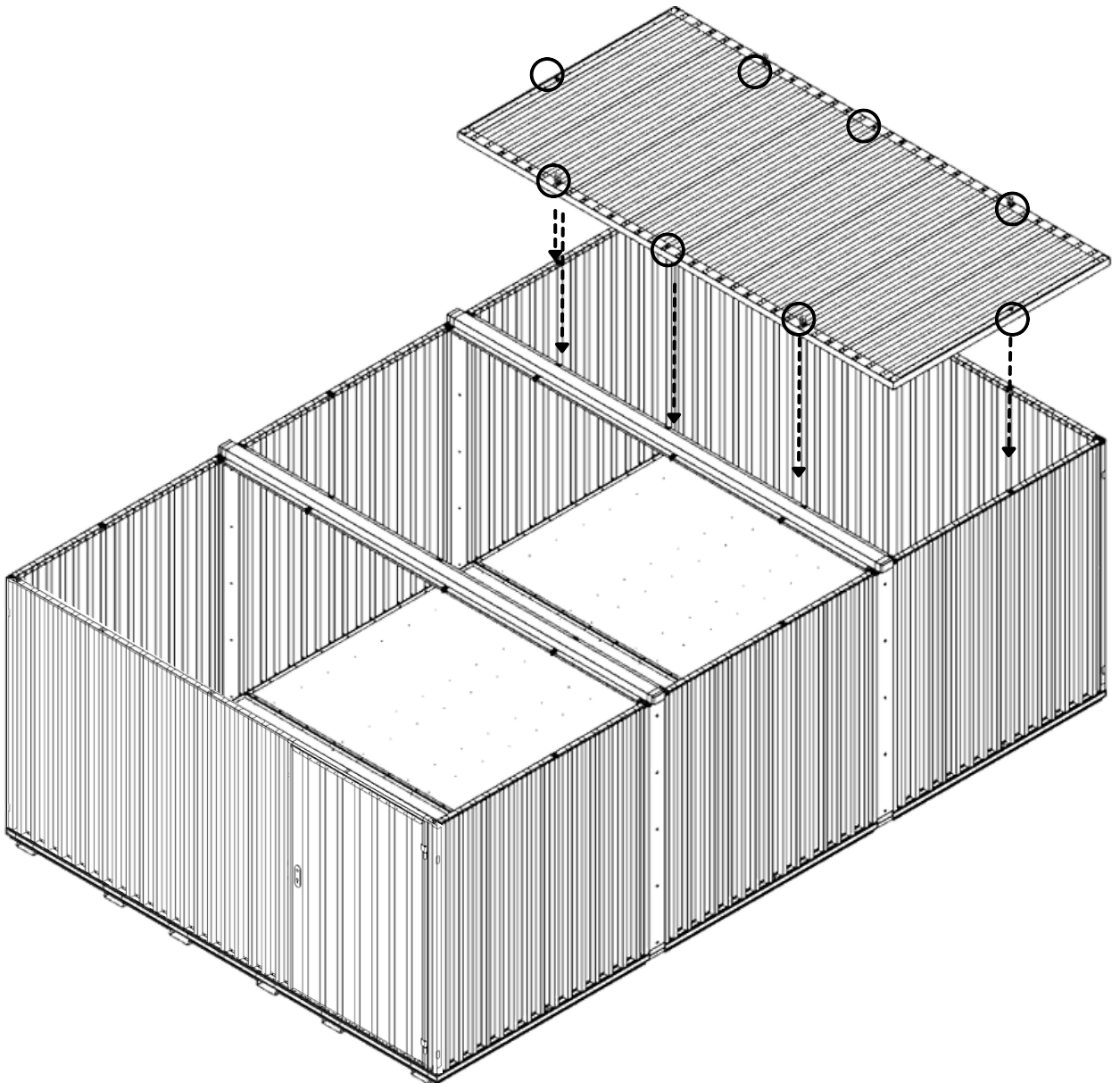




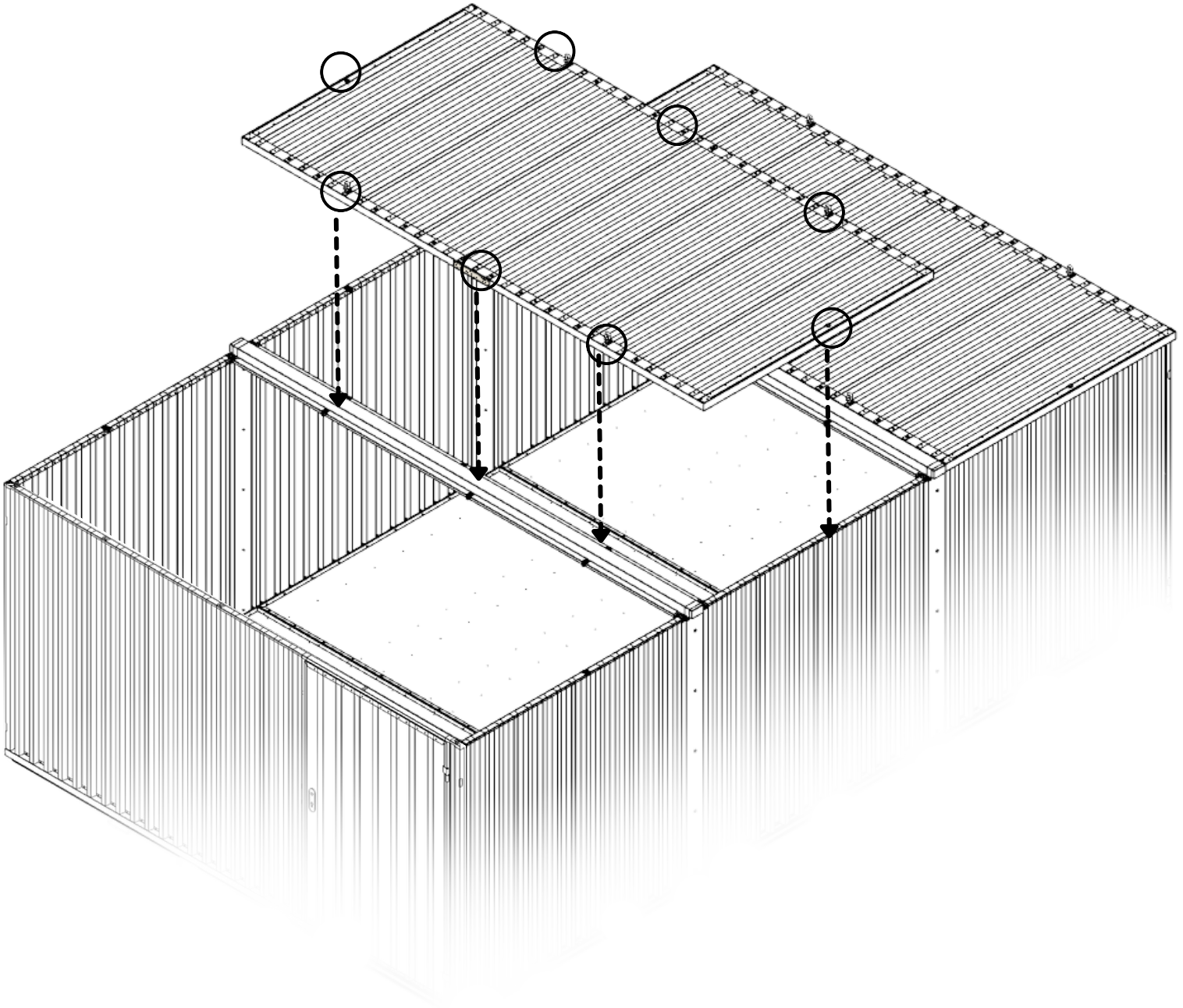
 1085 KG	 1640 MM	Model Code: 4044.110.440 Production Tracking Code: ...../X09.1.4044.440	 9001	 14001	 50001			
--	--	---	---	--	---	---	---	---



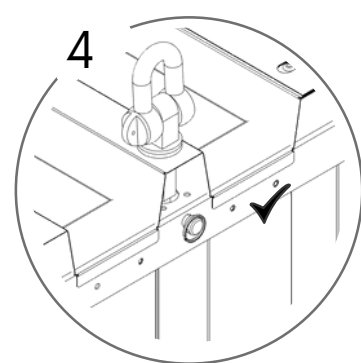
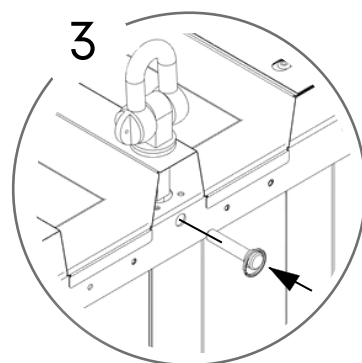
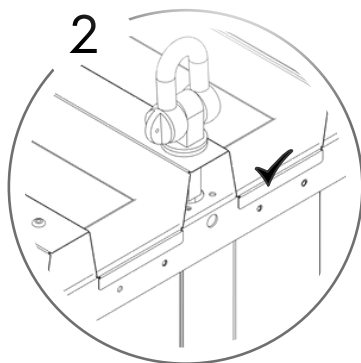
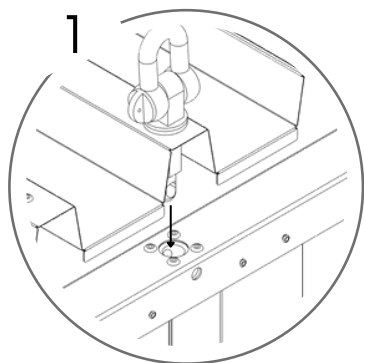
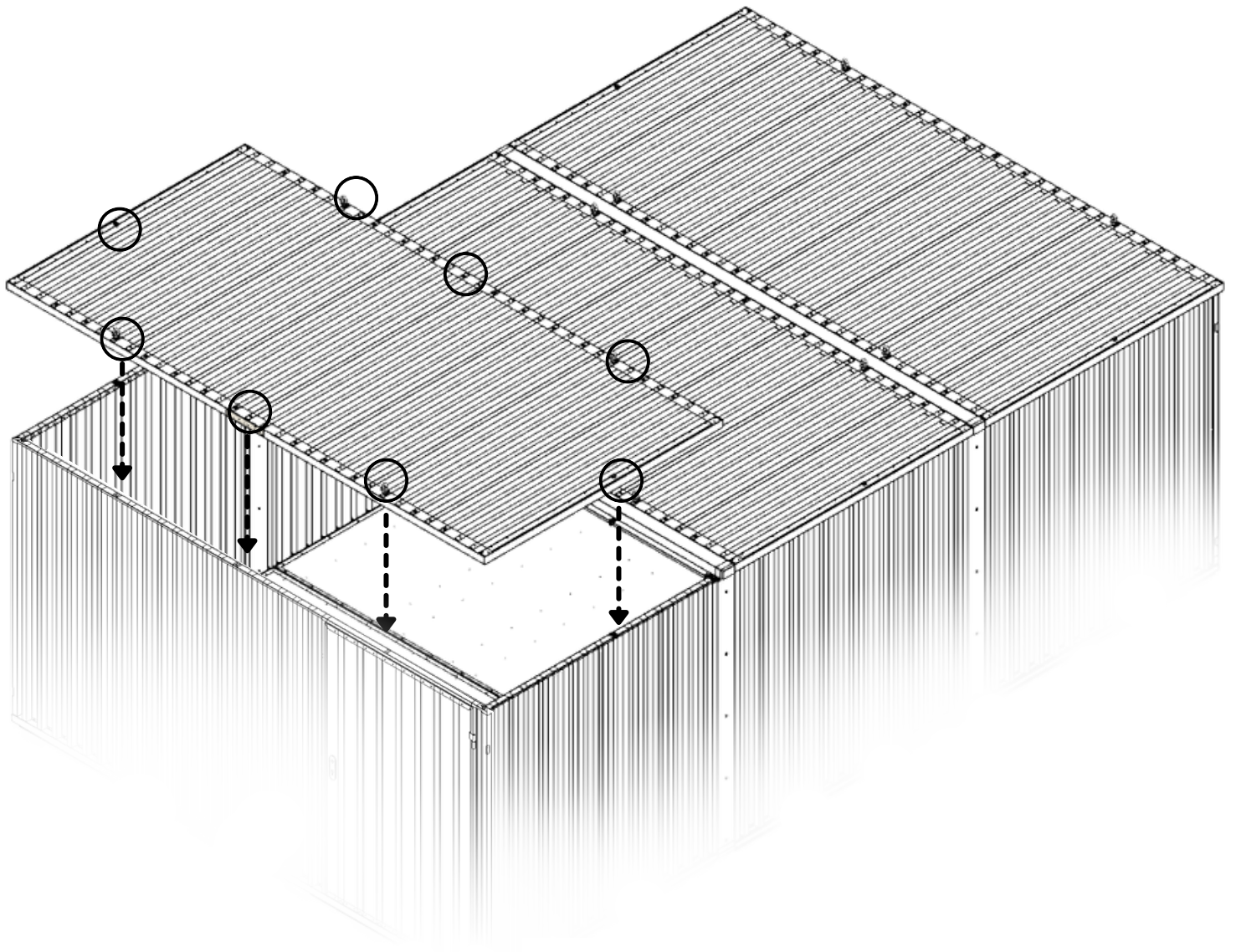
13



14

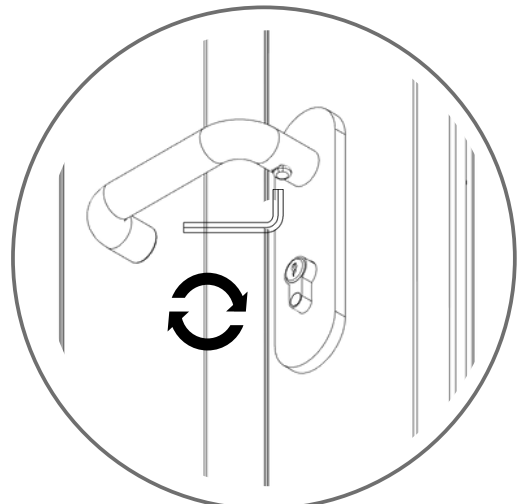
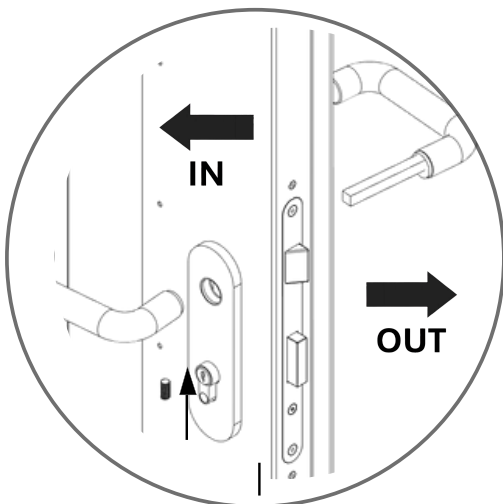
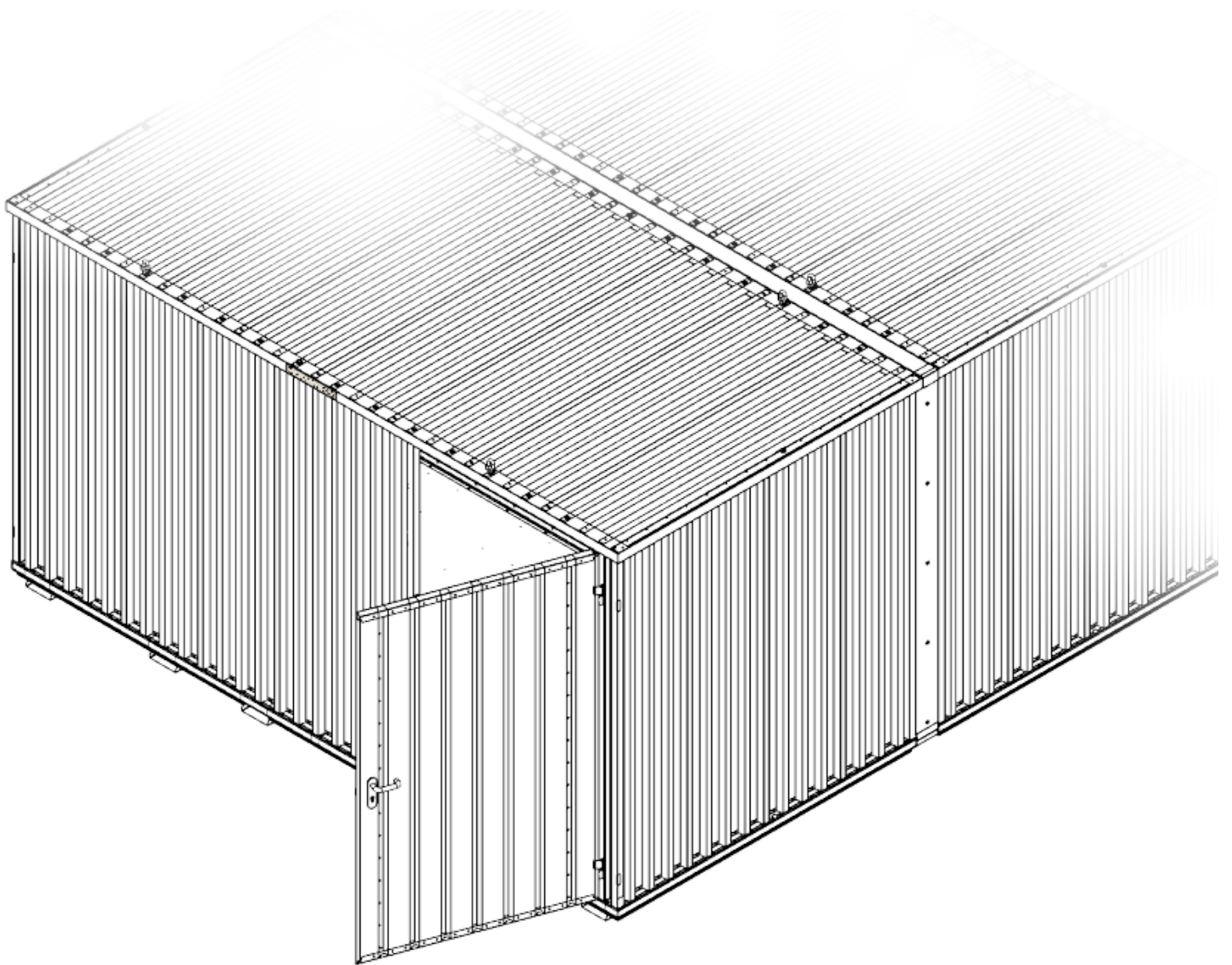


# 15





# 16





17

