

PRODUCT CODE: 30.110.420

prefabase
Quick Build Solutions

Instructions and User Guide



30.0110
1x

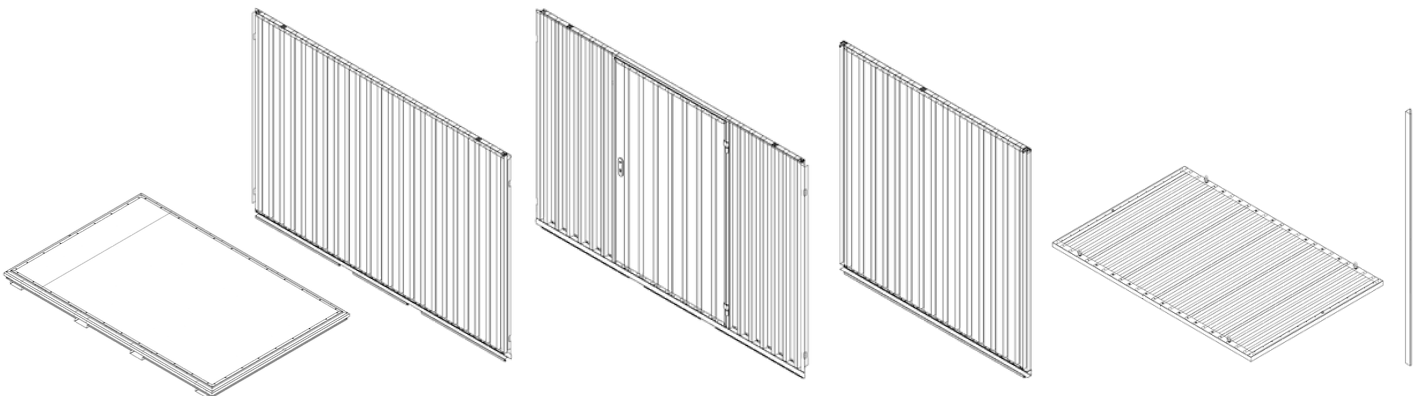
30.0410
1x

30.0420/0210
1x

0310
2x

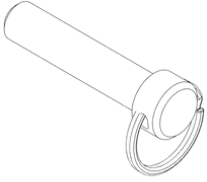
30.0510
1x

0099.61.101
4x

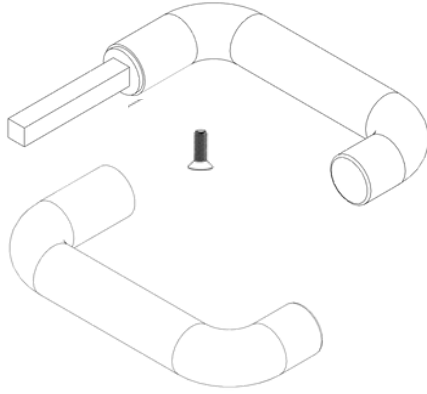




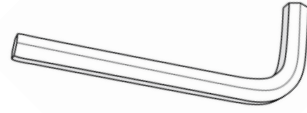
10x



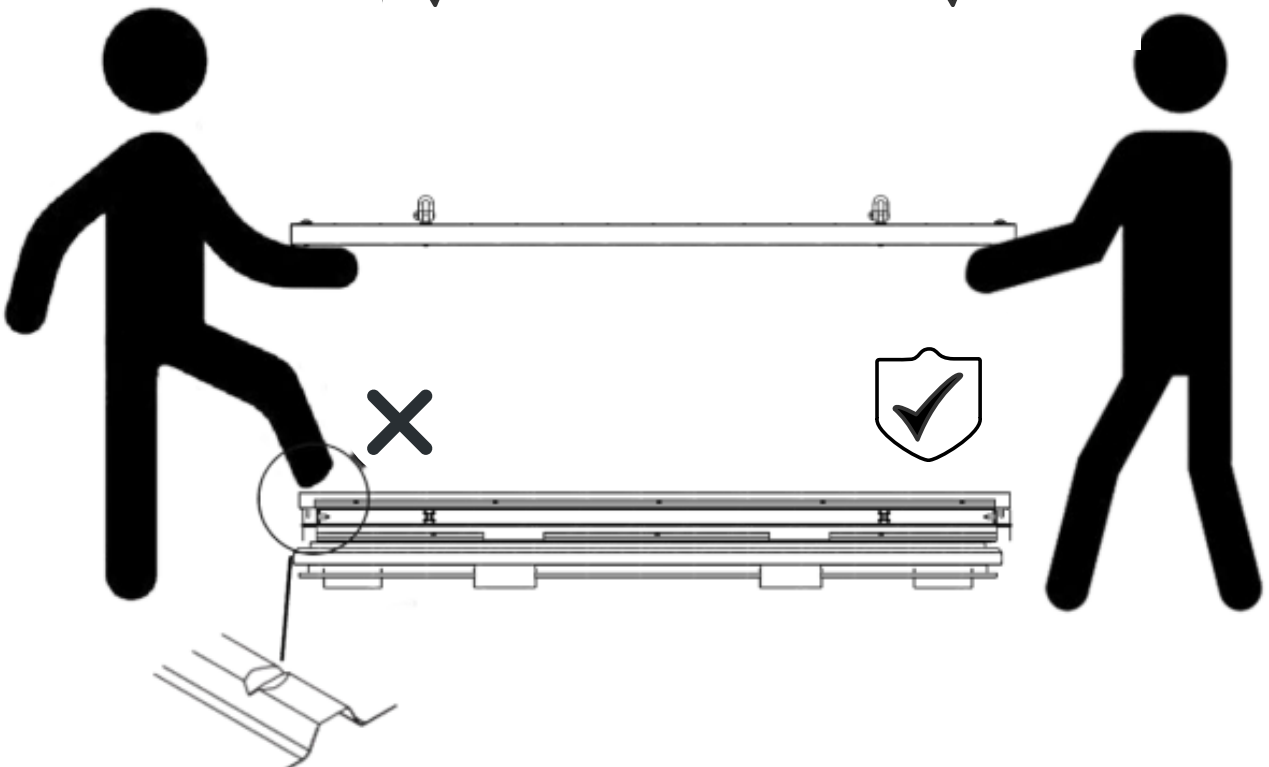
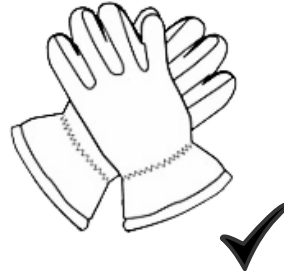
1x



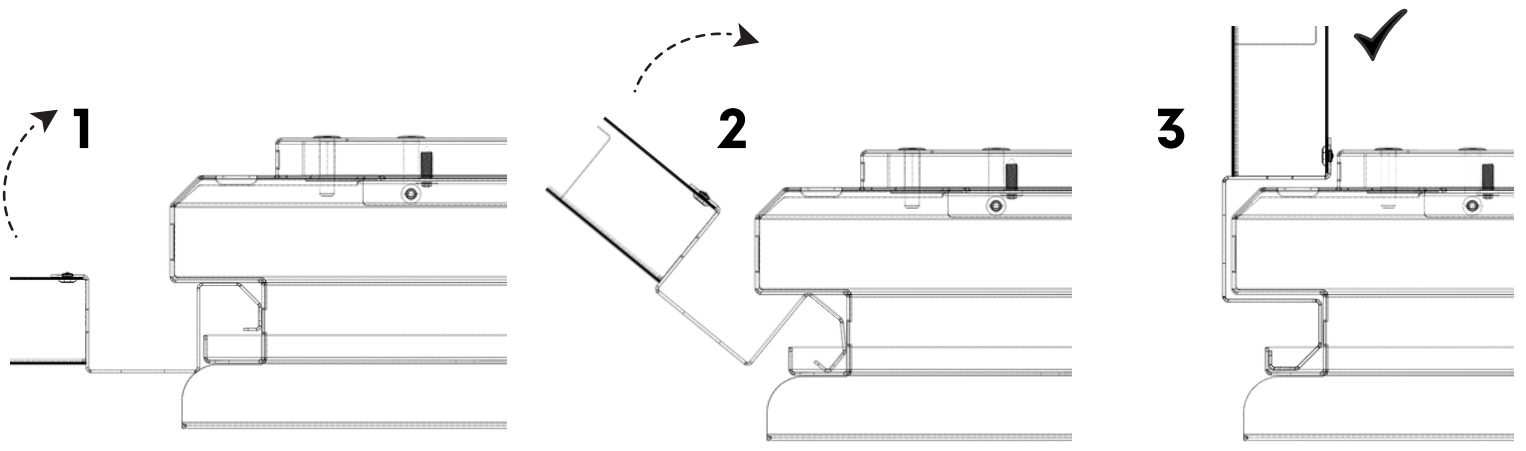
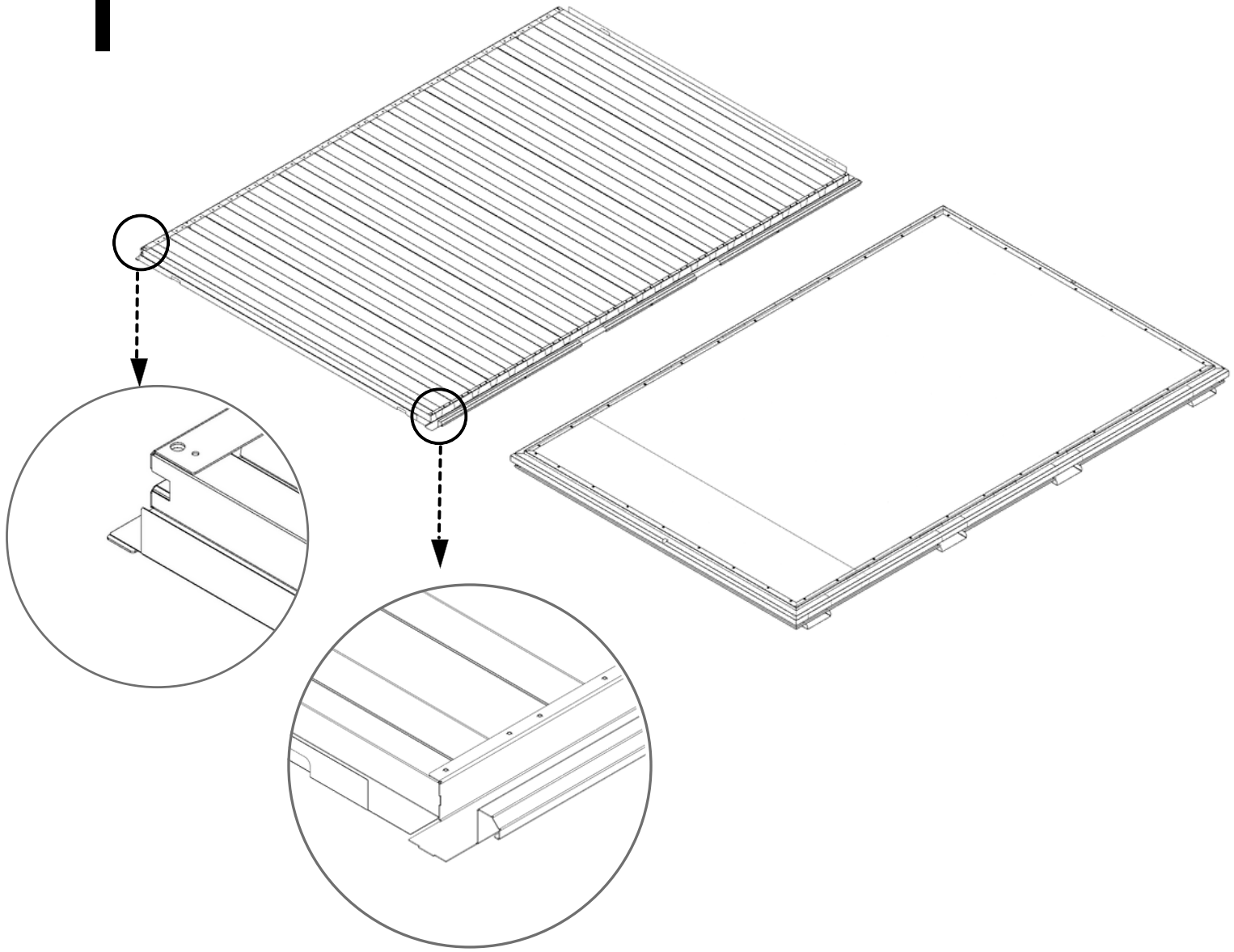
1x



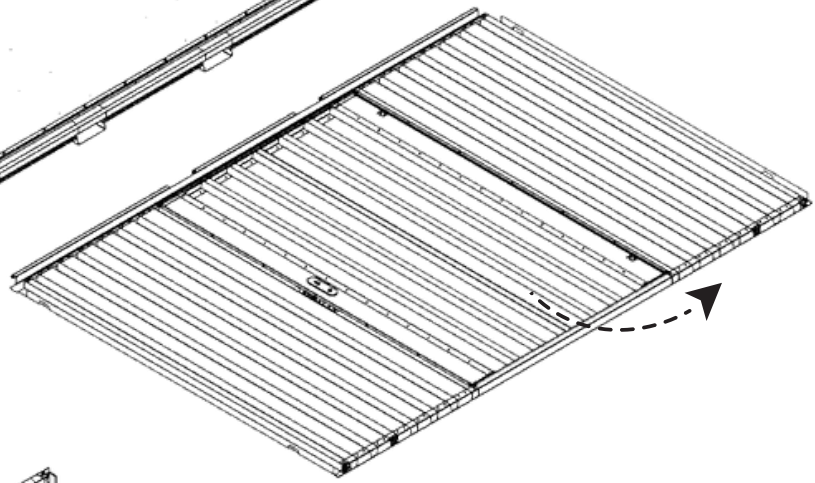
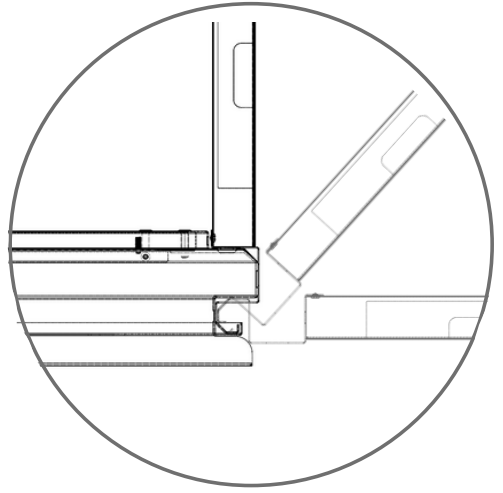
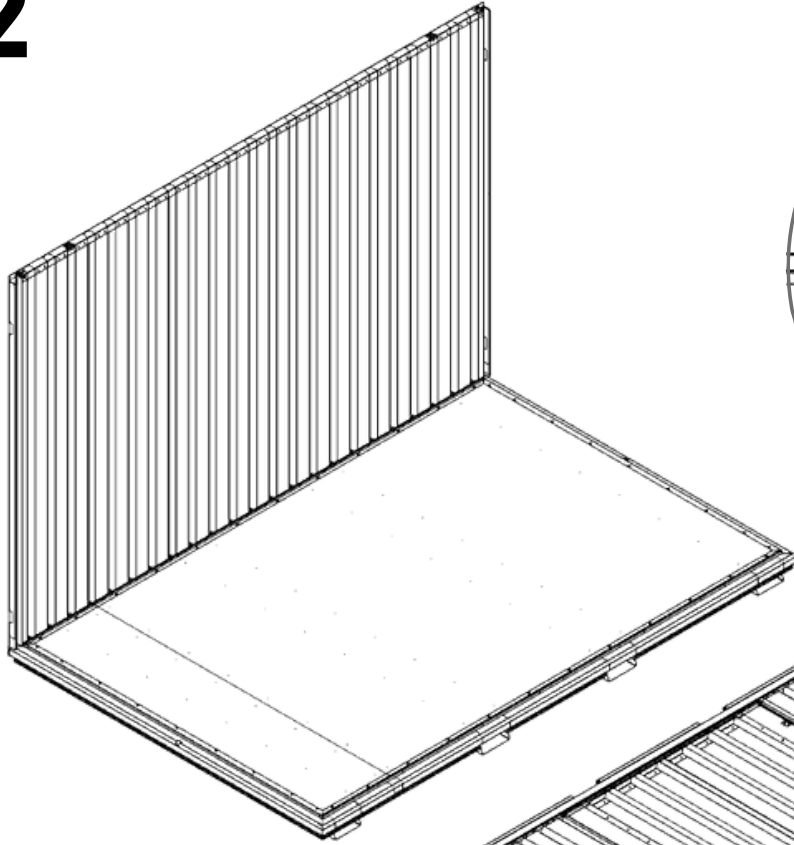
1x



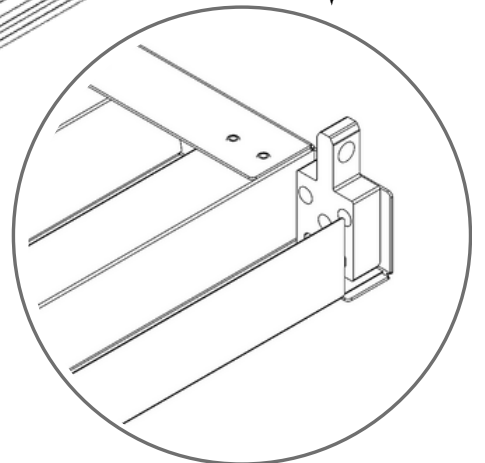
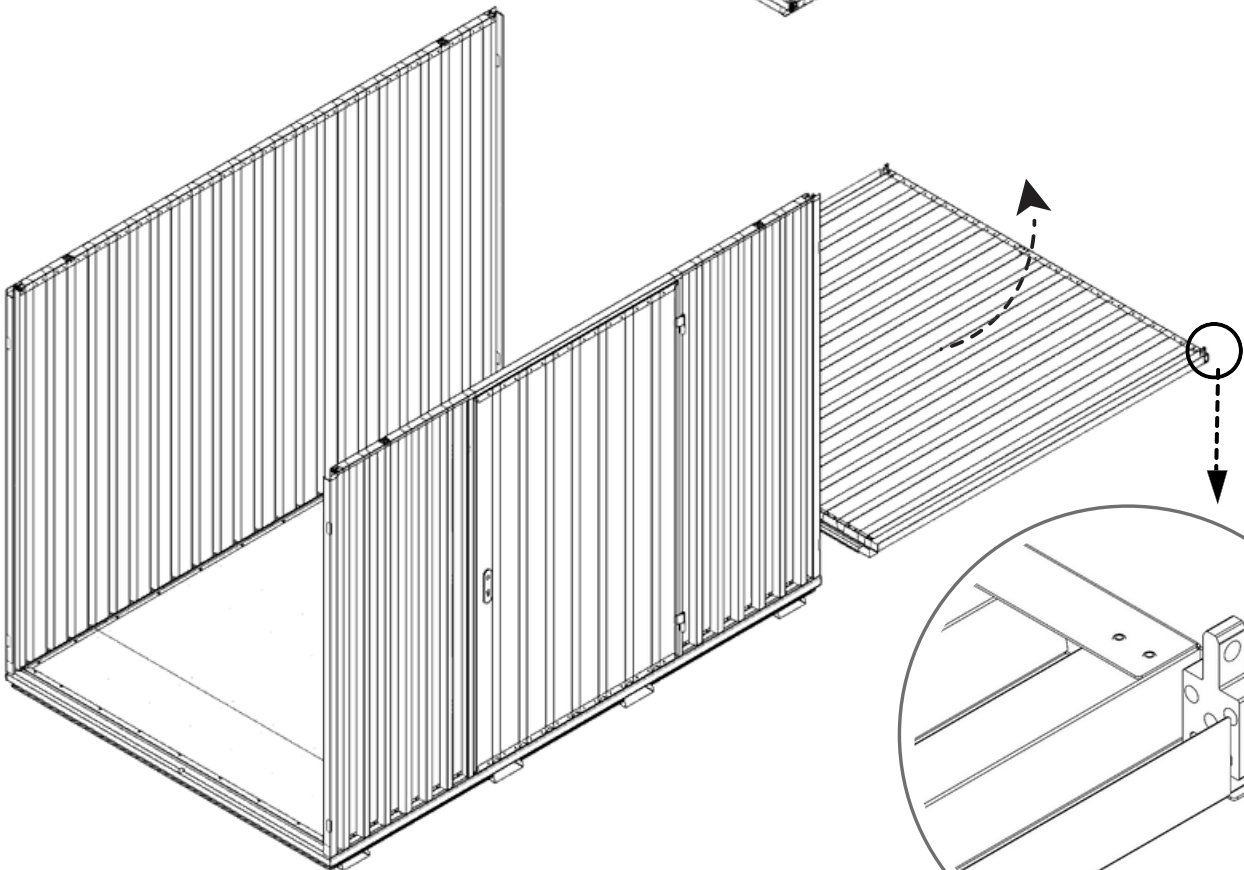
1



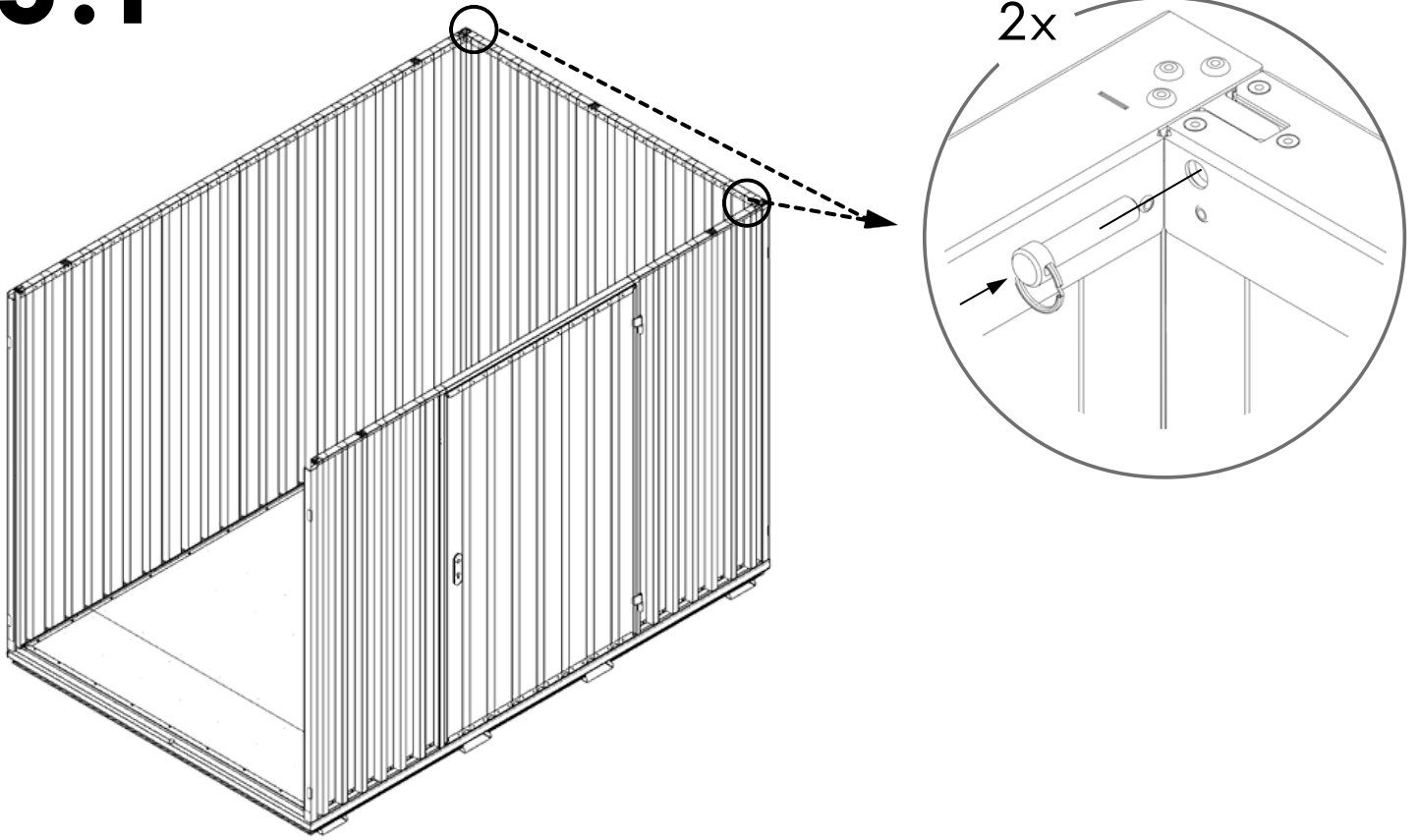
2



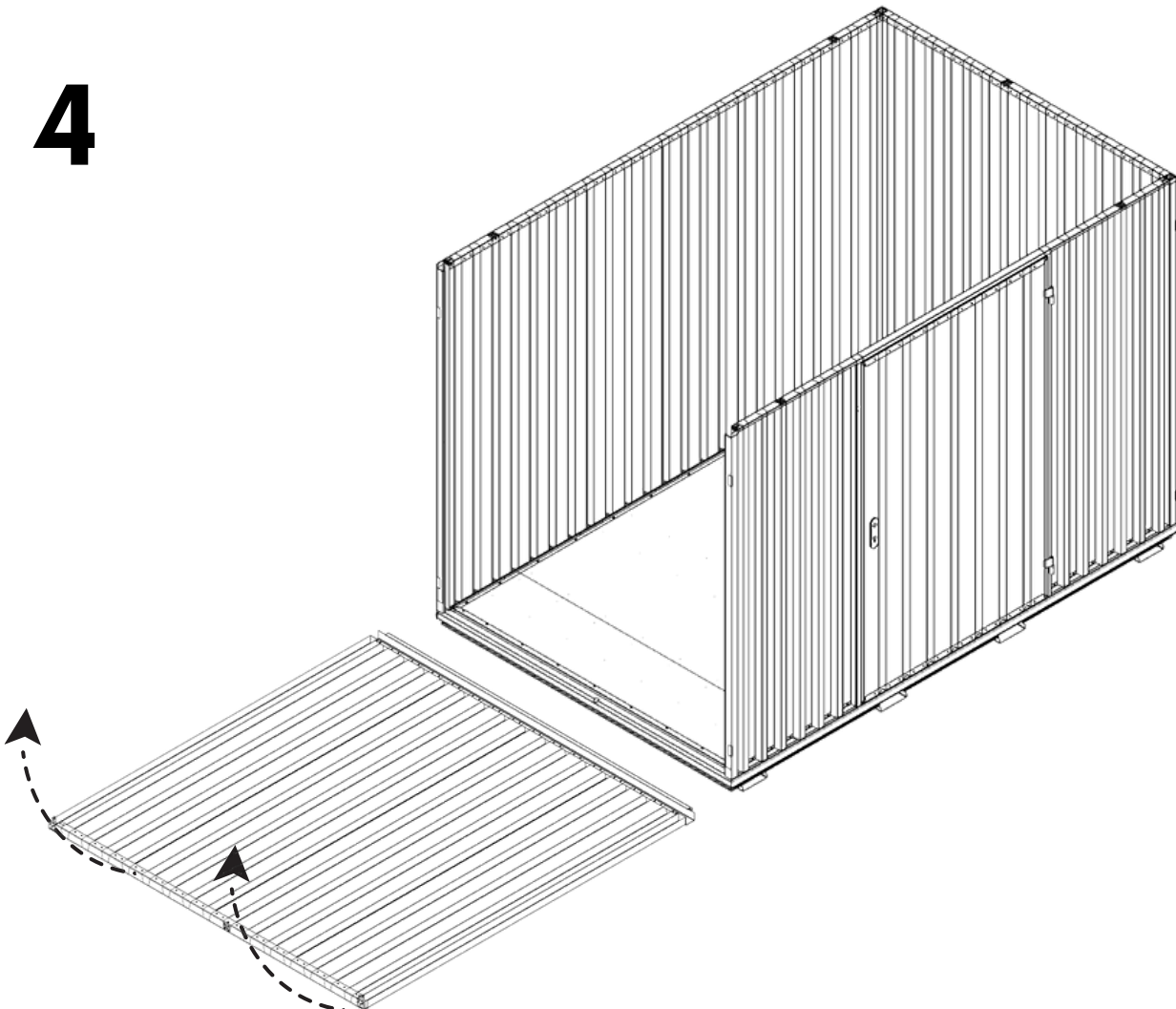
3



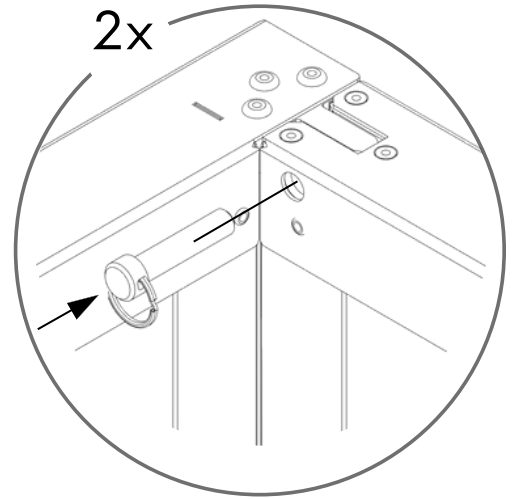
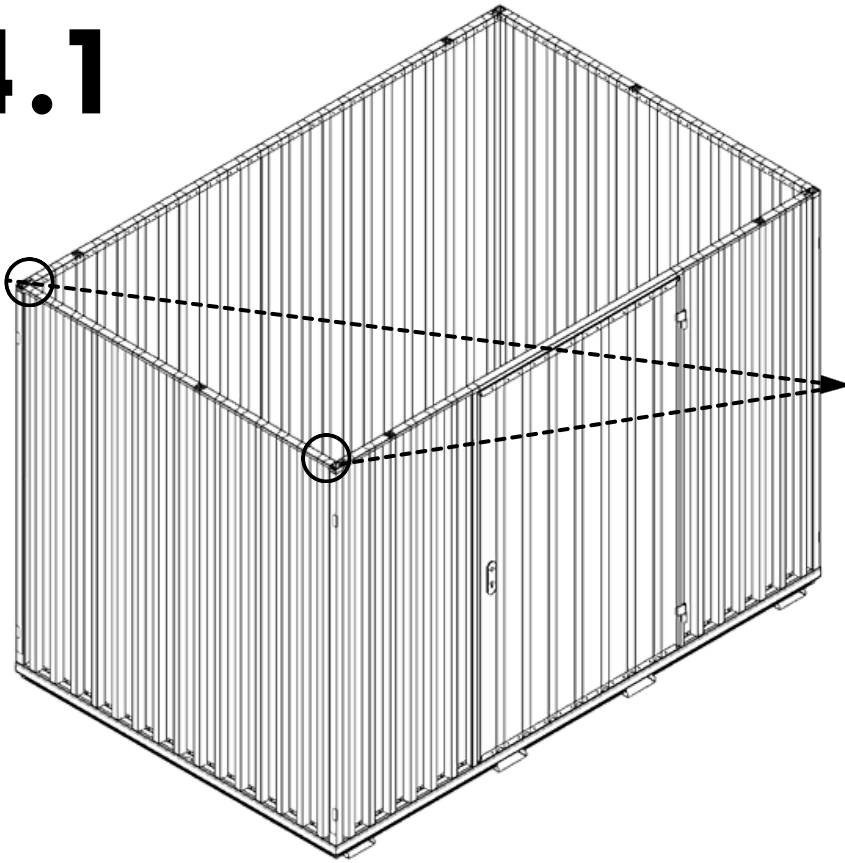
3.1



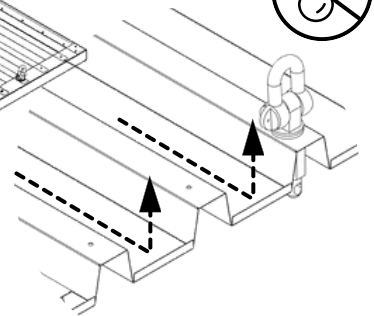
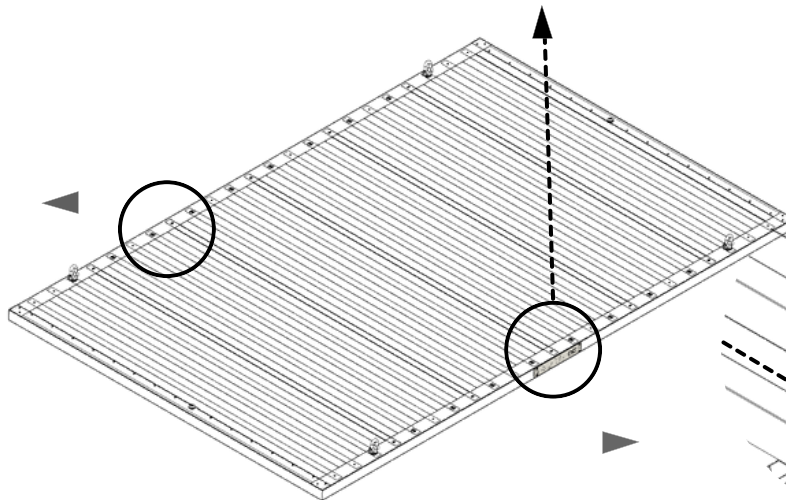
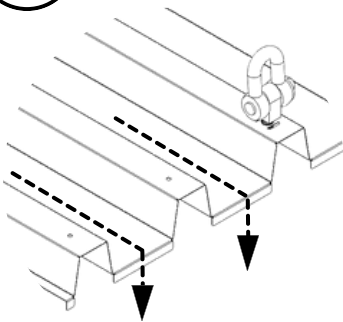
4



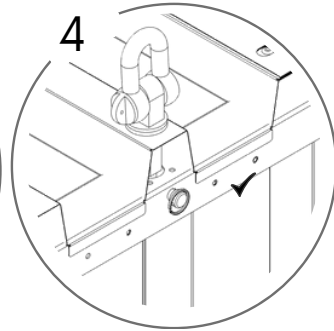
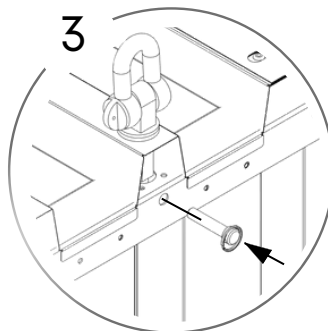
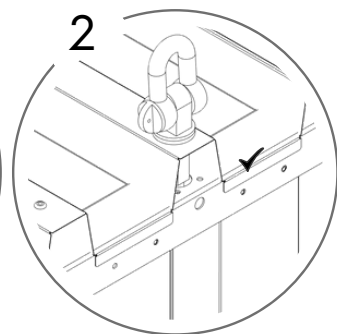
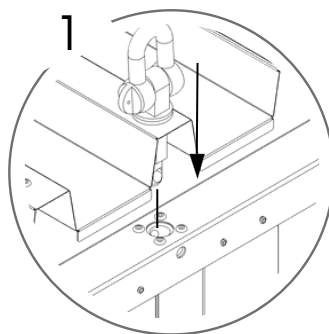
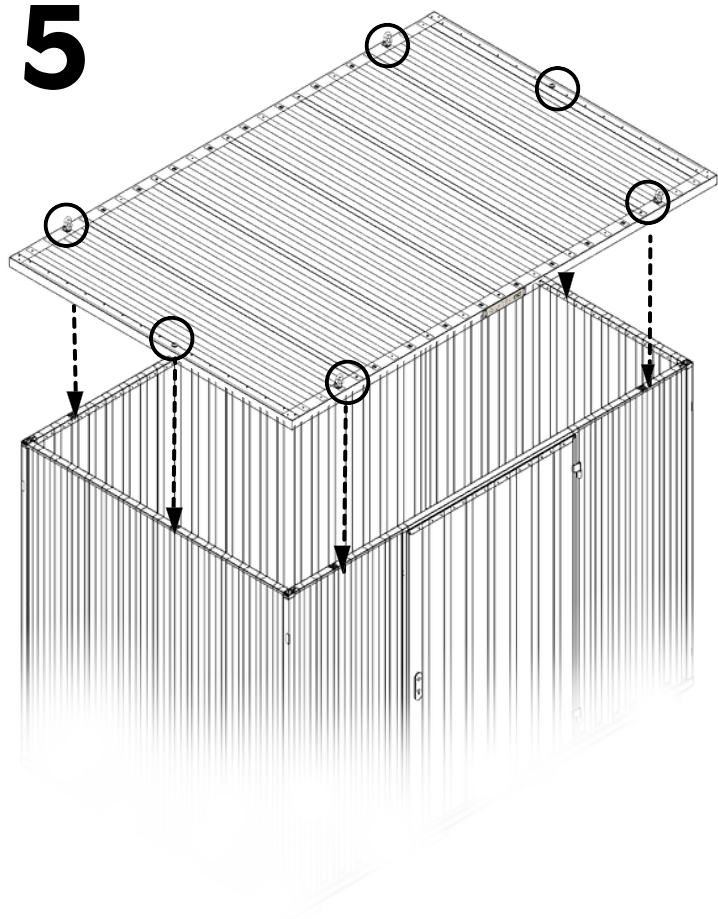
4.1



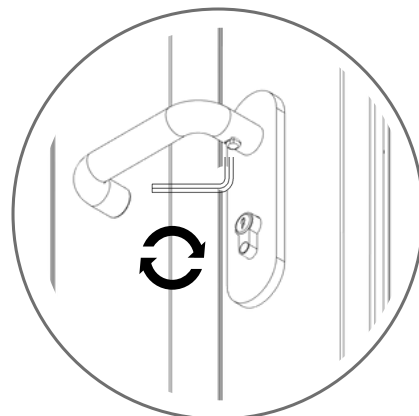
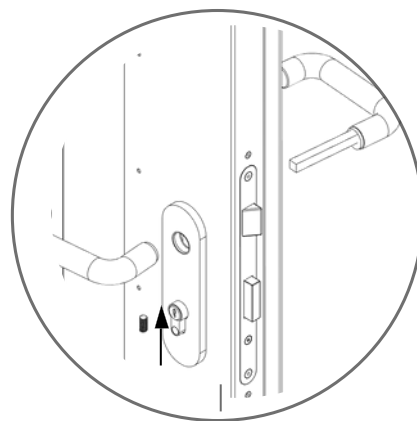
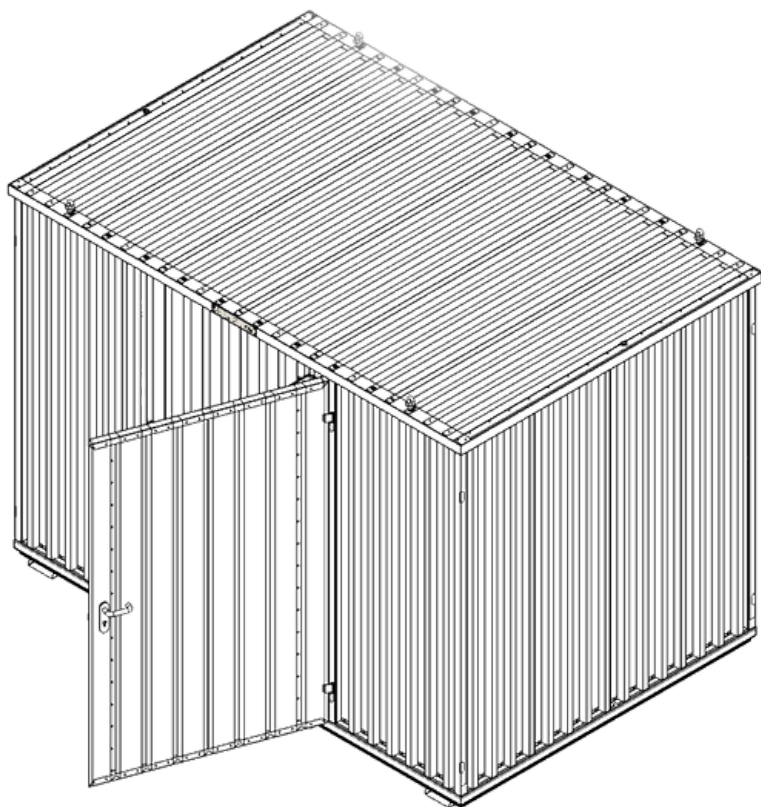
 336 KG	 3 TON	 1640 MM	Model Code: 30.110.440 Production Tracking Code:X09.1.30.440 9001 14001 50001	
------------	-----------	-------------	--	----------



5



6



7

